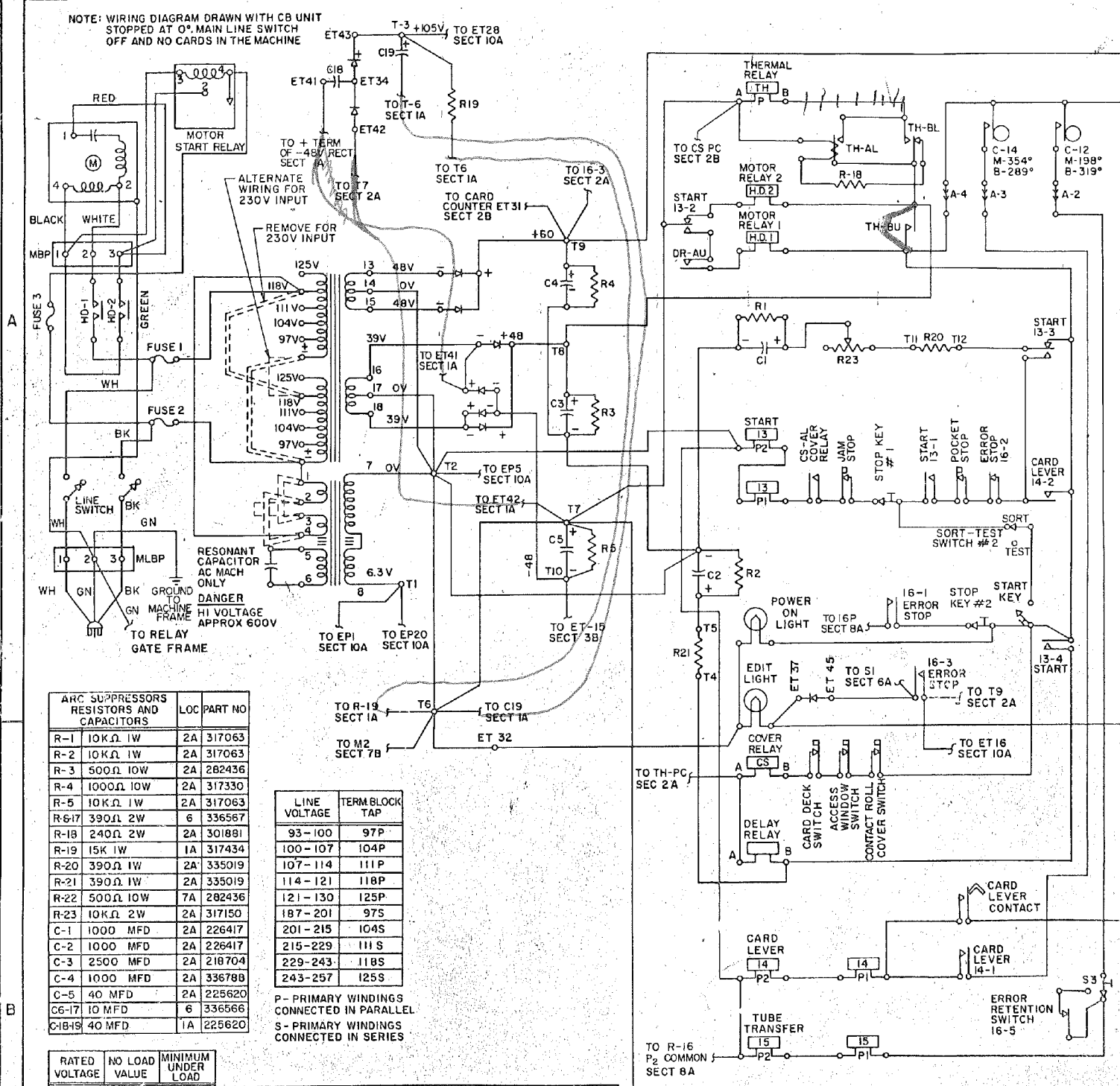


NOTE: WIRING DIAGRAM DRAWN WITH CB UNIT STOPPED AT 0°. MAIN LINE SWITCH OFF AND NO CARDS IN THE MACHINE

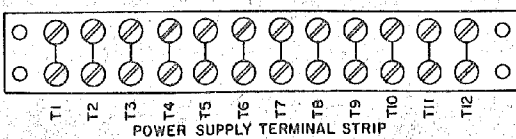


ARC SUPPRESSORS	RESISTORS	CAPACITORS	LOC	PART NO
R-1	10KΩ 1W	2A	317063	
R-2	10KΩ 1W	2A	317063	
R-3	500Ω 10W	2A	282436	
R-4	1000Ω 10W	2A	317330	
R-5	10KΩ 1W	2A	317063	
R-6/7	390Ω 2W	6	336567	
R-18	240Ω 2W	2A	301891	
R-19	15K 1W	1A	317434	
R-20	390Ω 1W	2A	335019	
R-21	390Ω 1W	2A	335019	
R-22	500Ω 10W	7A	282436	
R-23	10KΩ 2W	2A	317150	
C-1	1000 MFD	2A	226417	
C-2	1000 MFD	2A	226417	
C-3	2500 MFD	2A	218704	
C-4	1000 MFD	2A	33678B	
C-5	40 MFD	2A	225620	
C6-17	10 MFD	6	336566	
C18-19	40 MFD	1A	225620	

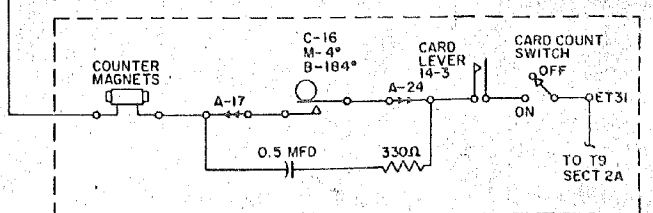
LINE VOLTAGE	TERM BLOCK
93-100	97P
100-107	104P
107-114	111P
114-121	118P
121-130	125P
130-137	132P
137-144	139P
144-151	146P
151-158	153P
158-165	160P
165-172	167P
172-179	174P
179-186	181P
186-193	188P
193-200	195P
200-207	202P
207-214	209P
214-221	216P
221-228	223P
228-235	230P
235-242	237P
242-249	244P
249-256	251P
256-263	258P
263-270	265P
270-277	272P
277-284	279P
284-291	286P
291-298	293P
298-305	300P
305-312	307P
312-319	314P
319-326	321P
326-333	328P
333-340	335P
340-347	342P
347-354	349P
354-361	356P
361-368	363P
368-375	370P
375-382	377P
382-389	384P
389-396	391P
396-403	398P
403-410	405P
410-417	412P
417-424	419P
424-431	426P
431-438	433P
438-445	440P
445-452	447P
452-459	454P
459-466	461P
466-473	468P
473-480	475P
480-487	482P
487-494	489P
494-501	496P
501-508	503P
508-515	510P
515-522	517P
522-529	524P
529-536	531P
536-543	538P
543-550	545P
550-557	552P
557-564	559P
564-571	566P
571-578	573P
578-585	580P
585-592	587P
592-599	594P
599-606	601P
606-613	608P
613-620	615P
620-627	622P
627-634	629P
634-641	636P
641-648	643P
648-655	650P
655-662	657P
662-669	664P
669-676	671P
676-683	678P
683-690	685P
690-697	692P
697-704	699P
704-711	706P
711-718	713P
718-725	720P
725-732	727P
732-739	734P
739-746	741P
746-753	748P
753-760	755P
760-767	762P
767-774	769P
774-781	776P
781-788	783P
788-795	790P
795-802	797P
802-809	804P
809-816	811P
816-823	818P
823-830	825P
830-837	832P
837-844	839P
844-851	846P
851-858	853P
858-865	860P
865-872	867P
872-879	874P
879-886	881P
886-893	888P
893-900	895P
900-907	902P
907-914	909P
914-921	916P
921-928	923P
928-935	930P
935-942	937P
942-949	944P
949-956	951P
956-963	958P
963-970	965P
970-977	972P
977-984	979P
984-991	986P
991-998	993P

P - PRIMARY WINDINGS CONNECTED IN PARALLEL
S - PRIMARY WINDINGS CONNECTED IN SERIES

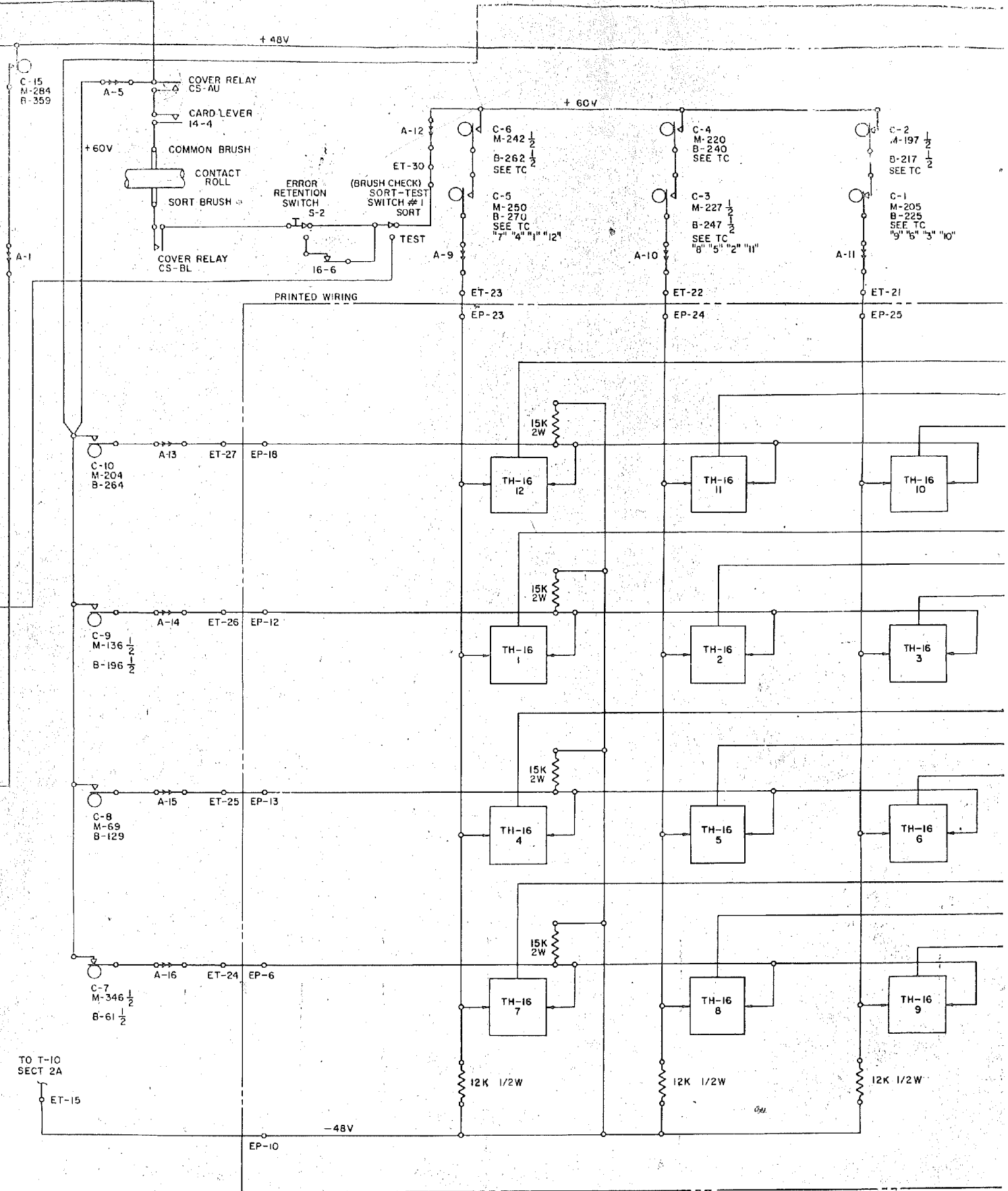
RATED VOLTAGE	NO LOAD VALUE	MINIMUM UNDER LOAD
+60 DC	60 TO 65	54
+48 DC	49 TO 55	46
-48 DC	49 TO 55	-46
6.5 AC	—	6.2
+105 DC	—	92

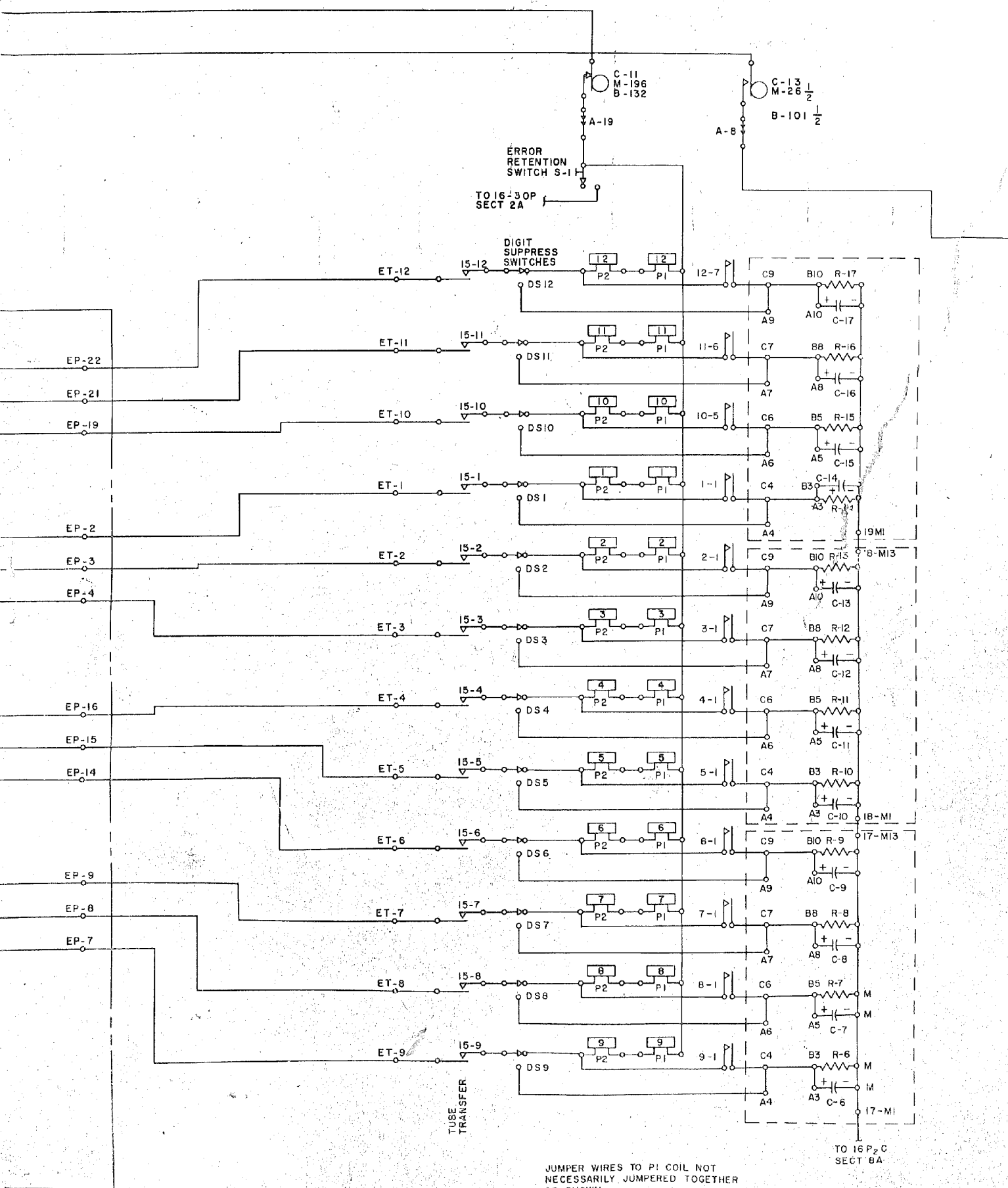


INPUT	FUSE 1	FUSE 2	FUSE 3	FUSE 4	FUSE 5	MOTOR ASSEM
VOLTS/CYCLE	PART NO/VALUE	PART NO/VALUE	PART NO/VALUE	PART NO/VALUE	PART NO/VALUE	
118 60	92734 2ALT	92734 2ALT	107667 6.20A 1TL			316362
208 60	228391 16LTL	228391 16LTL	107664 32LTL			209462
230 60	228391 16LTL	228391 16LTL	107664 32LTL			209462
118 50	92734 2ALT	92734 2ALT	107668 5ALT			336871
208 50	228391 16LTL	228391 16LTL	107663 25LTL			336872
230 50	228391 16LTL	228391 16LTL	107663 25LTL			336872
118 25	92734 2ALT	92734 2ALT	107668 5ALT			336882
208 25	228391 16LTL	228391 16LTL	107664 32LTL			336883
230 25	228391 16LTL	228391 16LTL	107664 32LTL			336883
118 0C	107664 32LTL	107664 32LTL	107664 32LTL	92734 2ALT	92734 2ALT	336884
230 0C	228391 16LTL	228391 16LTL	228391 16LTL	92734 2ALT	92734 2ALT	336884
150 60	228391 16LTL	228391 16LTL	107666 5ALT			336895



CAMS NOT NECESSARILY JUMPED TOGETHER AS SHOWN





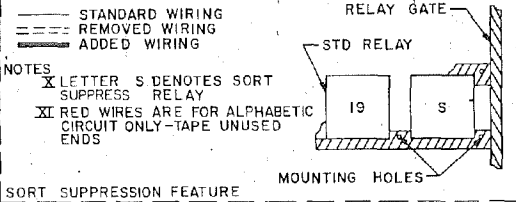
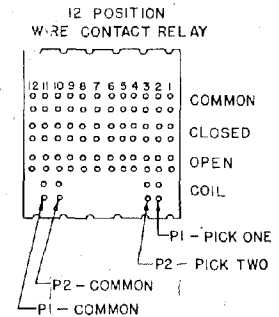
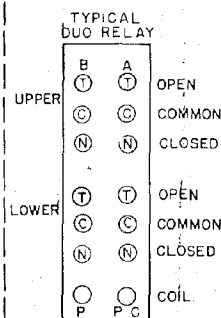
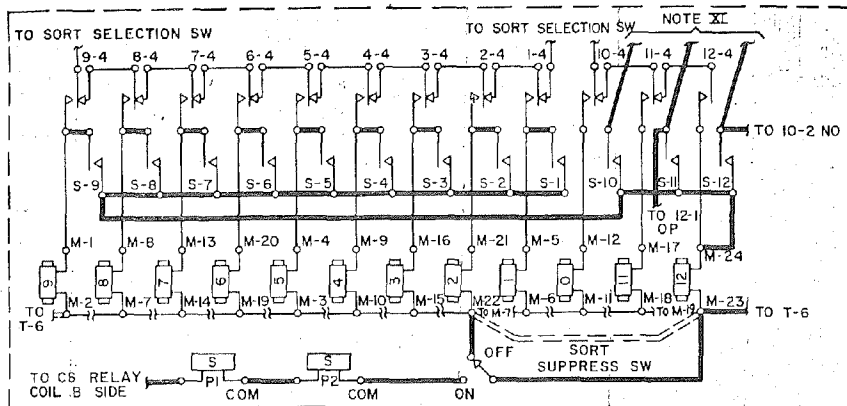
ERROR
RETENTION
SWITCH S-1
TO 16-3 OP
SECT 2A

DIGIT
SUPPRESS
SWITCHES

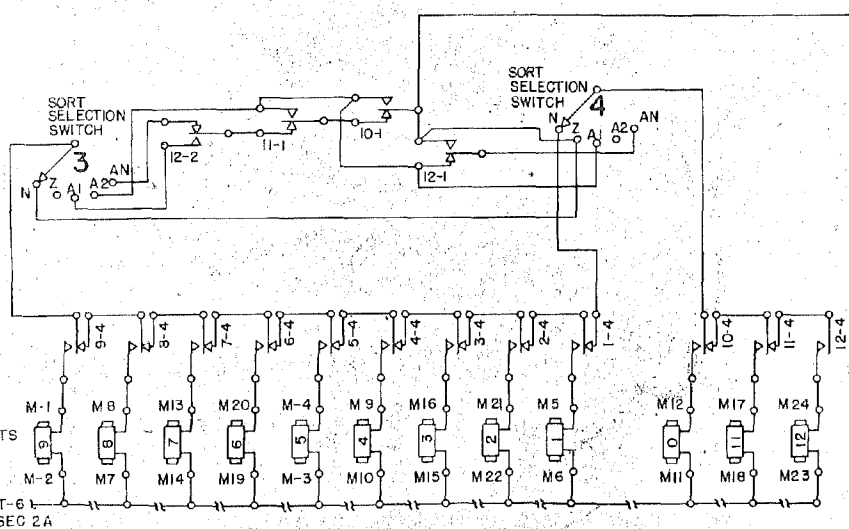
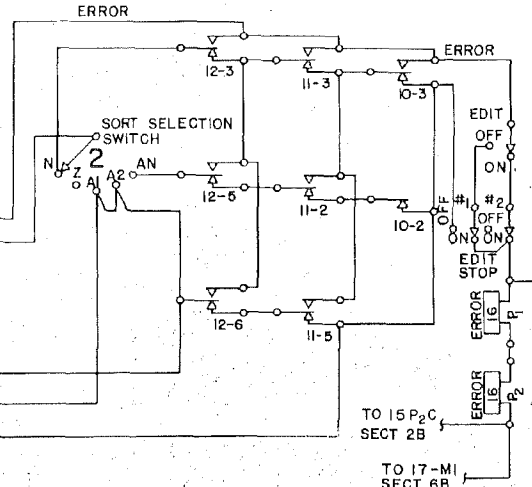
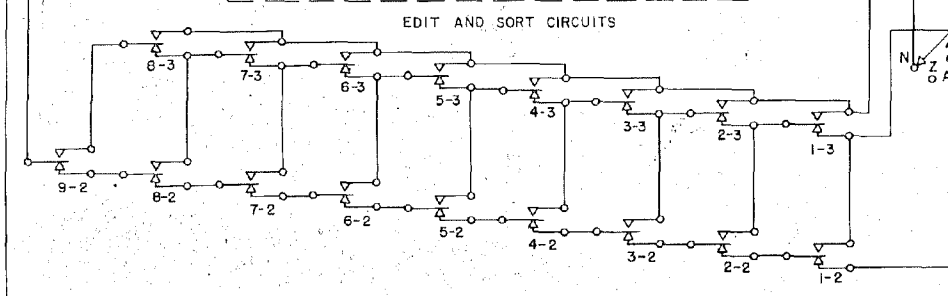
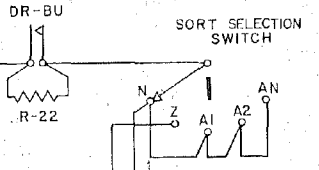
TIME
TRANSFER

JUMPER WIRES TO P1 COIL NOT
NECESSARILY JUMPERED TOGETHER
AS SHOWN

TO 16 P₂ C
SECT 8A



NOTES
 X LETTER S DENOTES SORT SUPPRESS RELAY
 XI RED WIRES ARE FOR ALPHABETIC CIRCUIT ONLY-TAPE UNUSED ENDS



MISCELLANEOUS RELAYS							
RELAY	COIL	CONTACT POINTS				NAME	PART NO.
		HD	AU	AL	BU	BL	
TH	2A		2A	2A	2A		THERMAL RELAY 206314
CS	2B		3A	2A		3A	COVER SWITCH 122532
DR	2A		2A			7A	DELAY RELAY 122532
HD-1	2A	1A					HEAVY DUTY 1 72916
HD-2	2A	1A					HEAVY DUTY 2 72916
208V60CY MOTOR START RELAY		LOCATED SEC 1A				189939	
115V60CY MOTOR START RELAY		LOCATED SEC 1A				311907	
230V60CY MOTOR START RELAY		LOCATED SEC 1A				189939	

WIRE CONTACT RELAYS																			
RELAY NO	COILS			CONTACT POINTS												NAME	SIZE	TYPE	PART NUMBER
	P1	P2		1	2	3	4	5	6	7	8	9	10	11	12				
1	6A	6A		6A	8A	8A	7B									1 SORT CONTROL RELAY	4	2P	196207
2	6B	6B		6B	8A	8A	7B									2 SORT CONTROL RELAY	4	2P	196207
3	6B	6B		6B	8A	8A	7B									3 SORT CONTROL RELAY	4	2P	196207
4	6B	6B		6B	7A	7A	7B									4 SORT CONTROL RELAY	4	2P	196207
5	6B	6B		6B	7A	7A	7B									5 SORT CONTROL RELAY	4	2P	196207
6	6B	6B		6B	7A	7A	7B									6 SORT CONTROL RELAY	4	2P	196207
7	6B	6B		6B	7A	7A	7B									7 SORT CONTROL RELAY	4	2P	196207
8	6B	6B		6B	7A	7A	7B									8 SORT CONTROL RELAY	4	2P	196207
9	6B	6B		6B	7A	7A	7B									9 SORT CONTROL RELAY	4	2P	196207
10	6A	6A	7B	6A	8A	8B	6A									10 SORT CONTROL RELAY	6	2P	196197
11	6A	6A	7B	6A	8A	8B	6A	6A								11 SORT CONTROL RELAY	6	2P	196197
12	6A	6A	7B	6A	8A	8B	6A	6A	6A							12 SORT CONTROL RELAY	12	2P	196197
13	2A	2A		2A	2A	2A	2A									START	4	2P	196207
14	2B	2B		2B	2B	3A										CARD LEVER	4	2P	196207
15	2B	2B	6A	6B	6B	6B	6B	6B	6B	6A	6A	6A				TUBE TRANSFER	12	2P	196167
16	6A	6A	2A	2A	2A		2B	3A								ERROR	6	2P	196197

