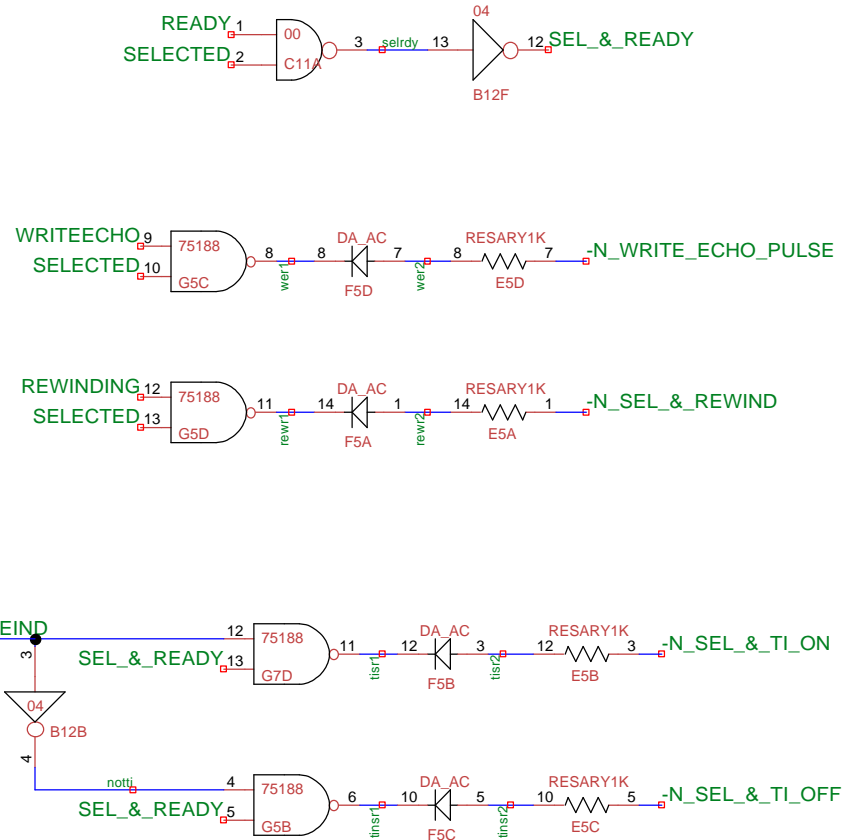
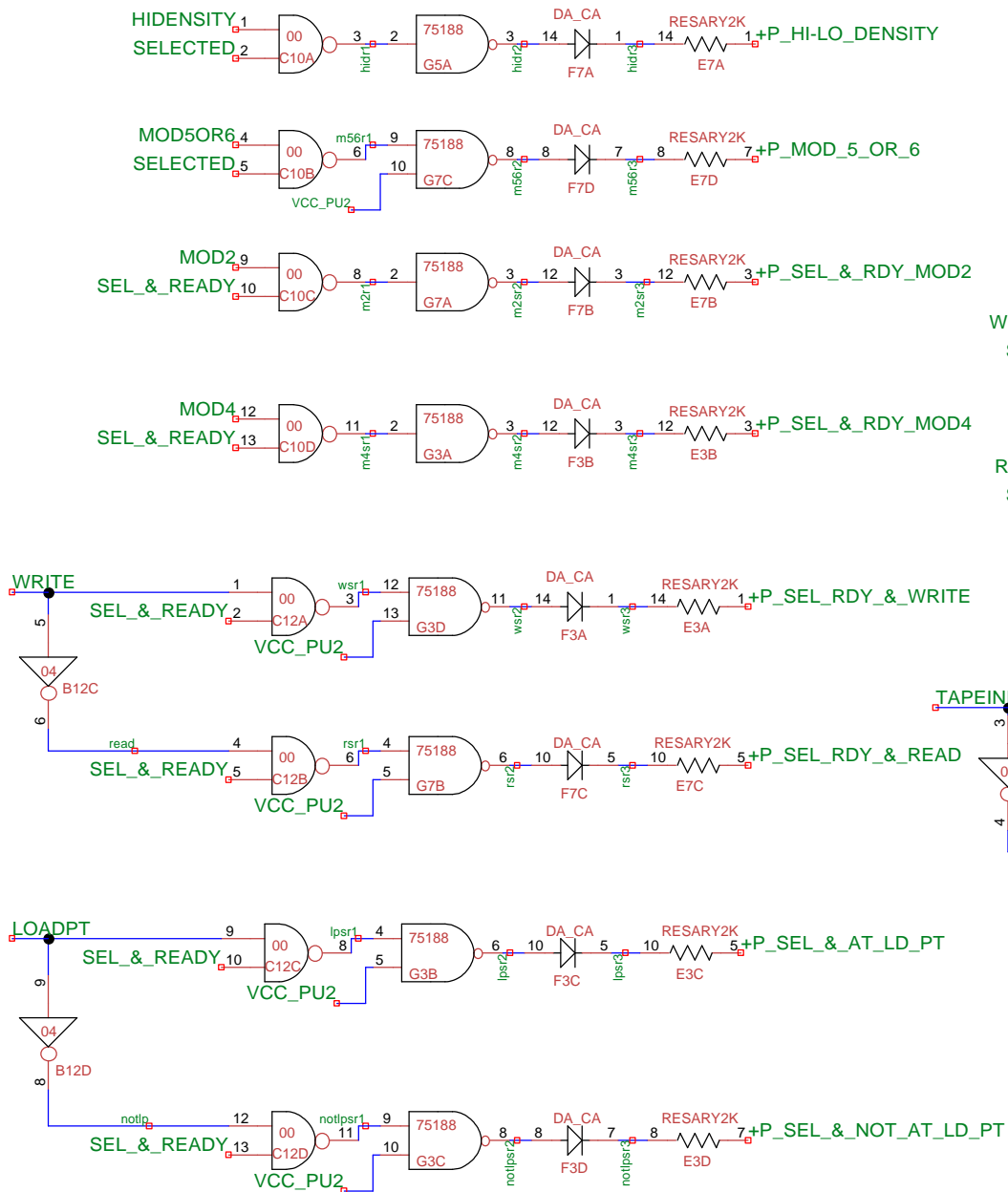


Title PIC and Analog Interfaces		
Author Bob Feretich 1401 Team		
File C:\IBM1401\Designs>Main16.dsn	Document	
Revision 1.0	Date 1/3/2006	Sheets 1 of 8

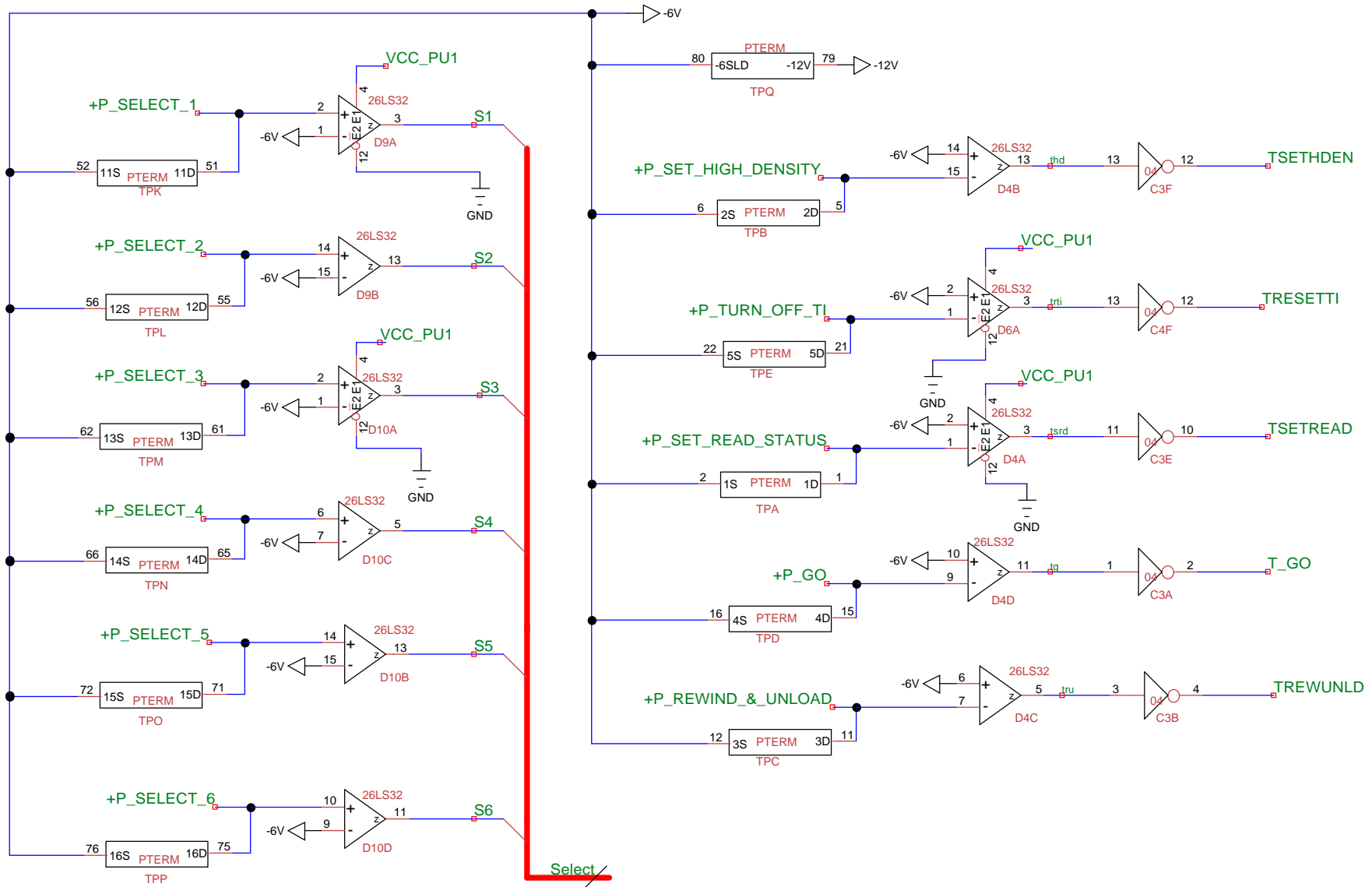
+P Drivers

All inputs are sourced from Sheet 1

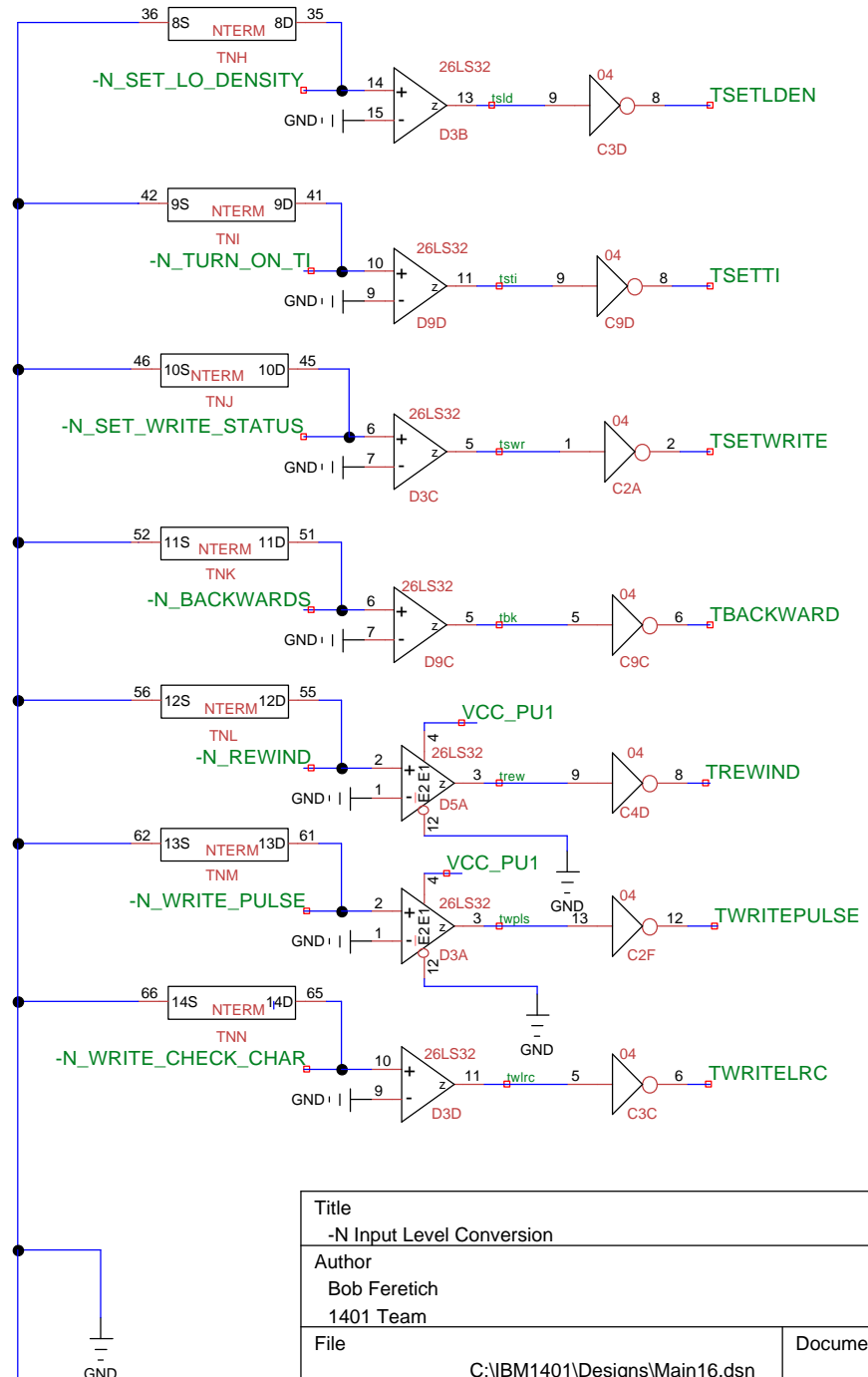
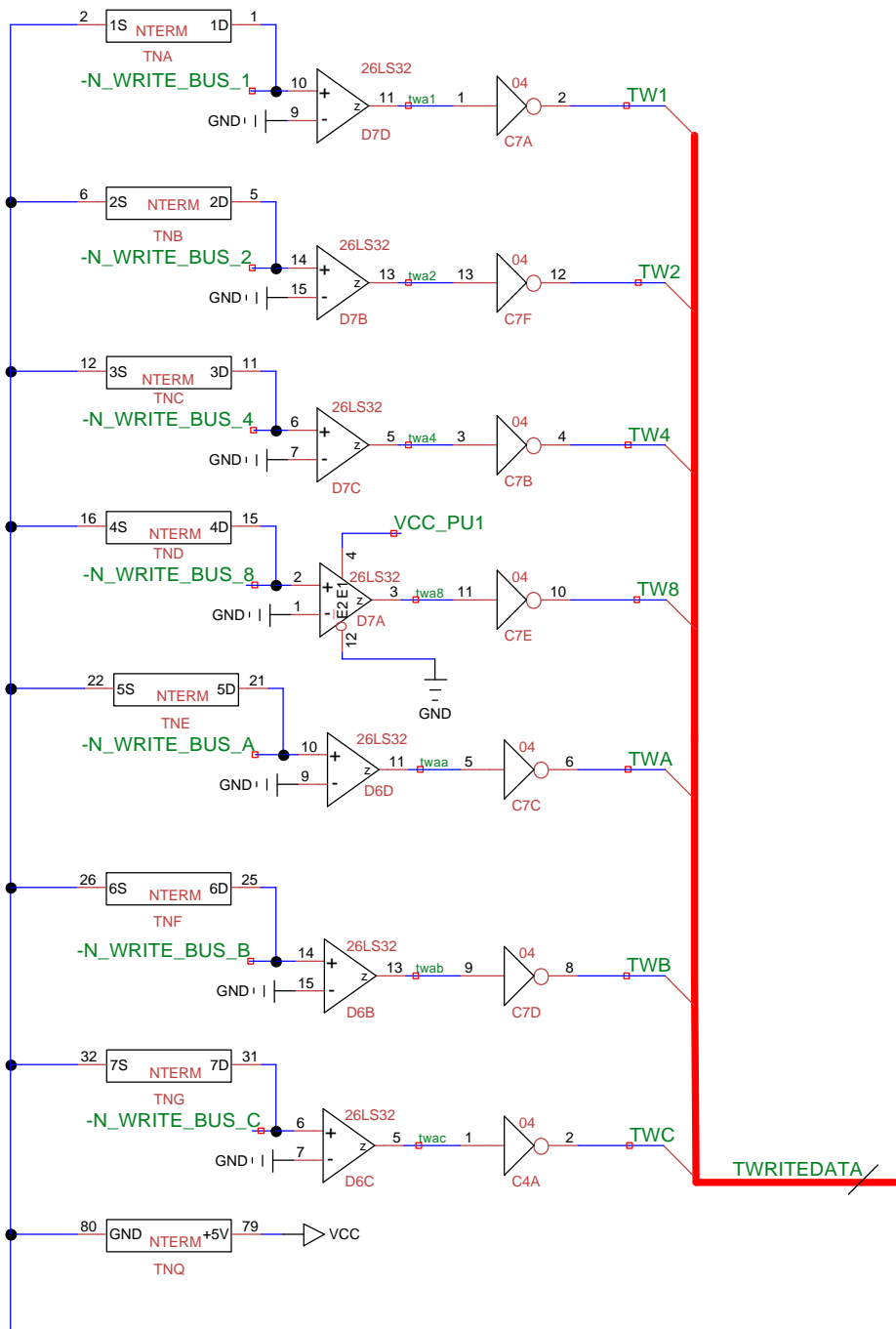
-N Drivers



Title Response signals		
Author Bob Feretch 1401 Team		
File C:\IBM1401\Designs\Main16.dsn	Document	
Revision 1.0	Date 1/3/2006	Sheets 2

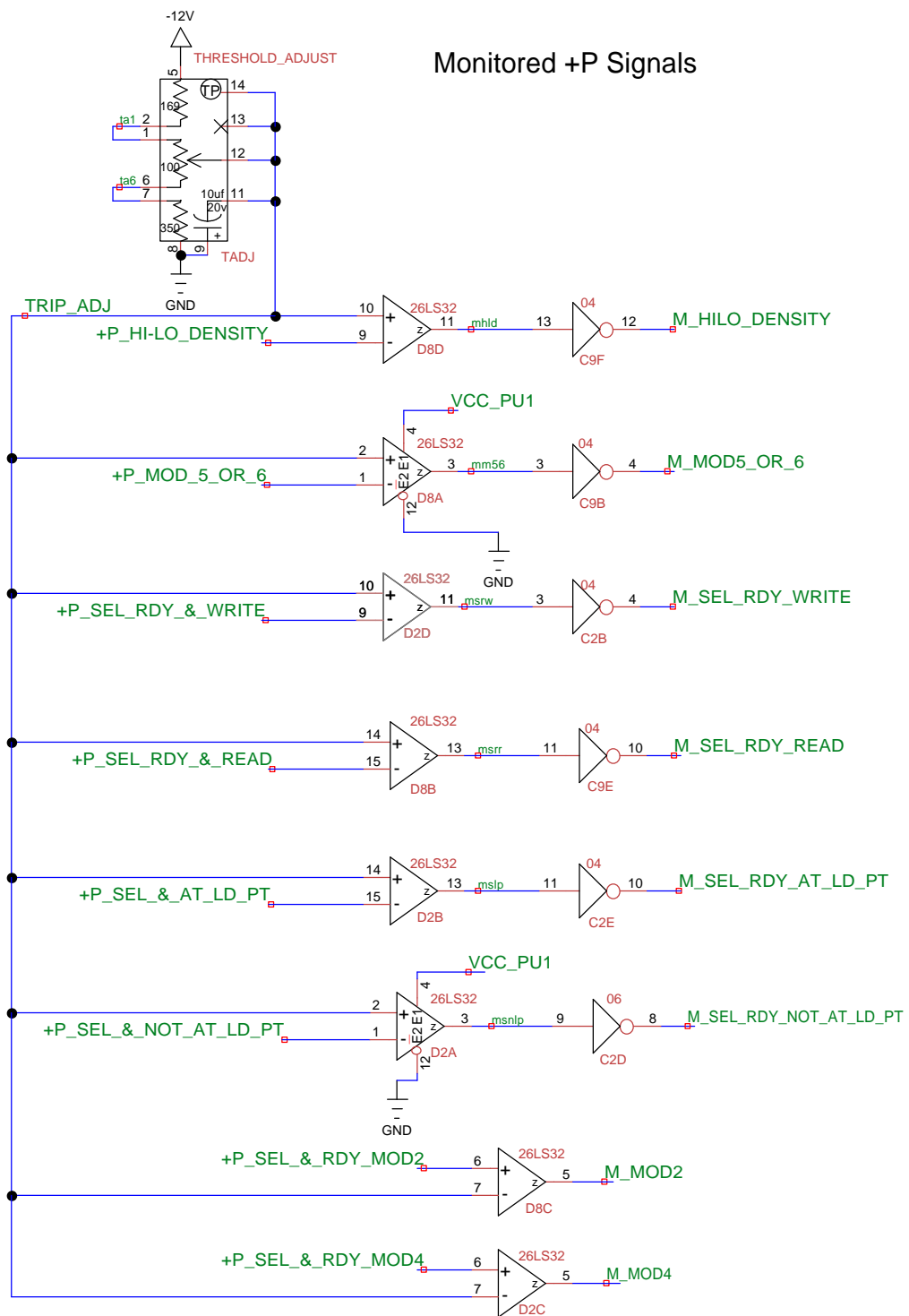


Title +P Input Level Conversion		
Author Bob Feretich 1401 Team		
File	C:\IBM1401\Designs\Main16.dsn	Document
Revision 1.0	Date 1/3/2006	Sheets 3

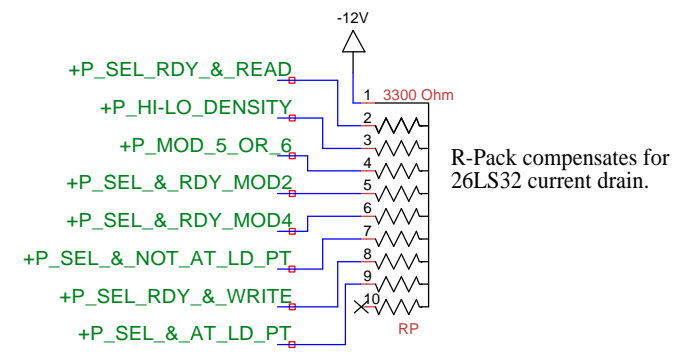
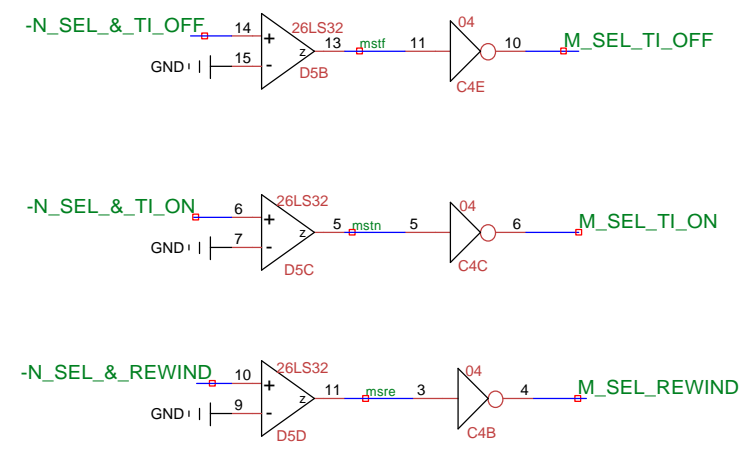


Title -N Input Level Conversion		
Author Bob Feretich 1401 Team		
File	C:\IBM1401\Designs>Main16.dsn	Document
Revision 1.0	Date 1/3/2006	Sheets 4

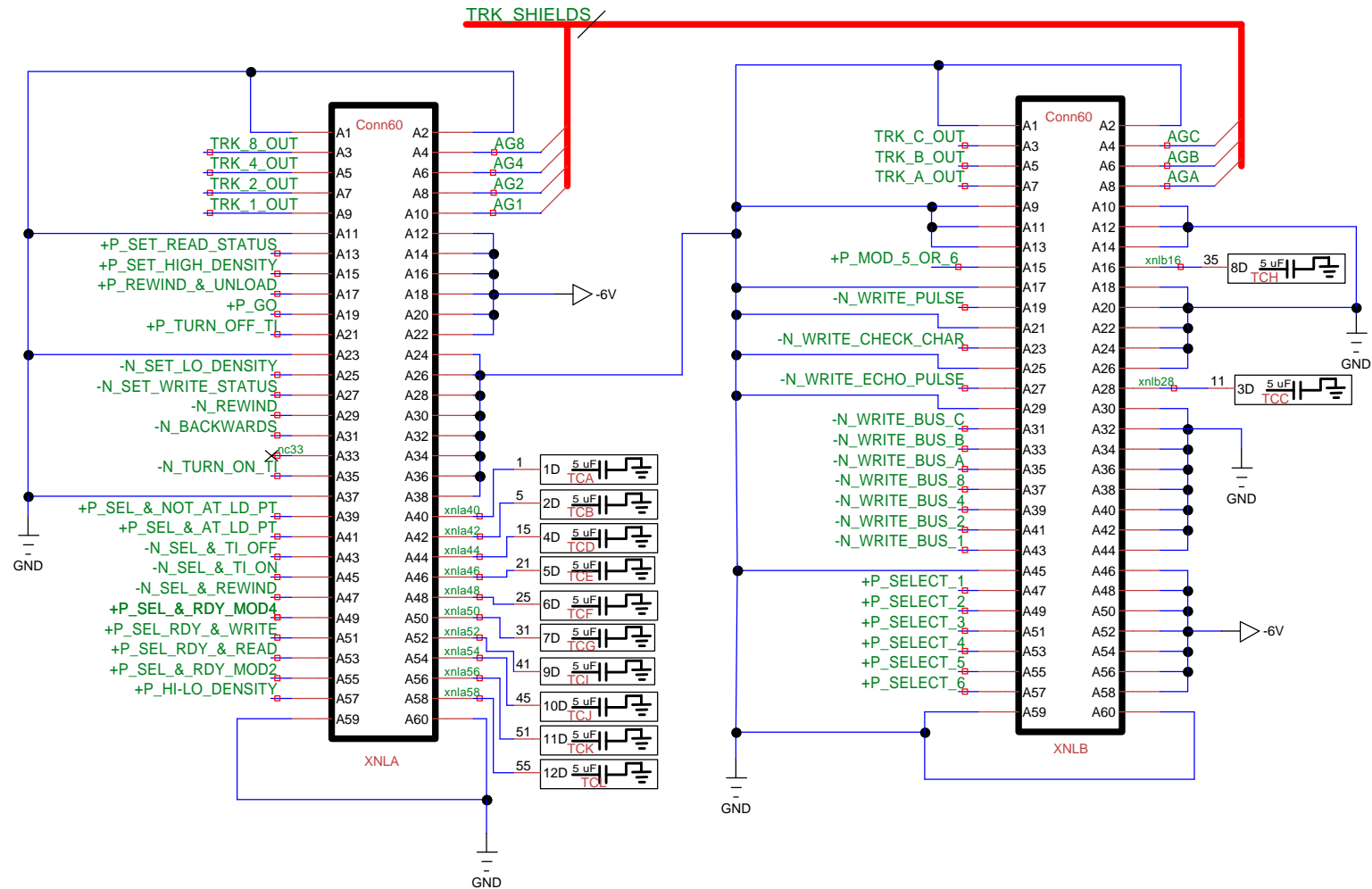
### Monitored +P Signals



### Monitored -N Signals

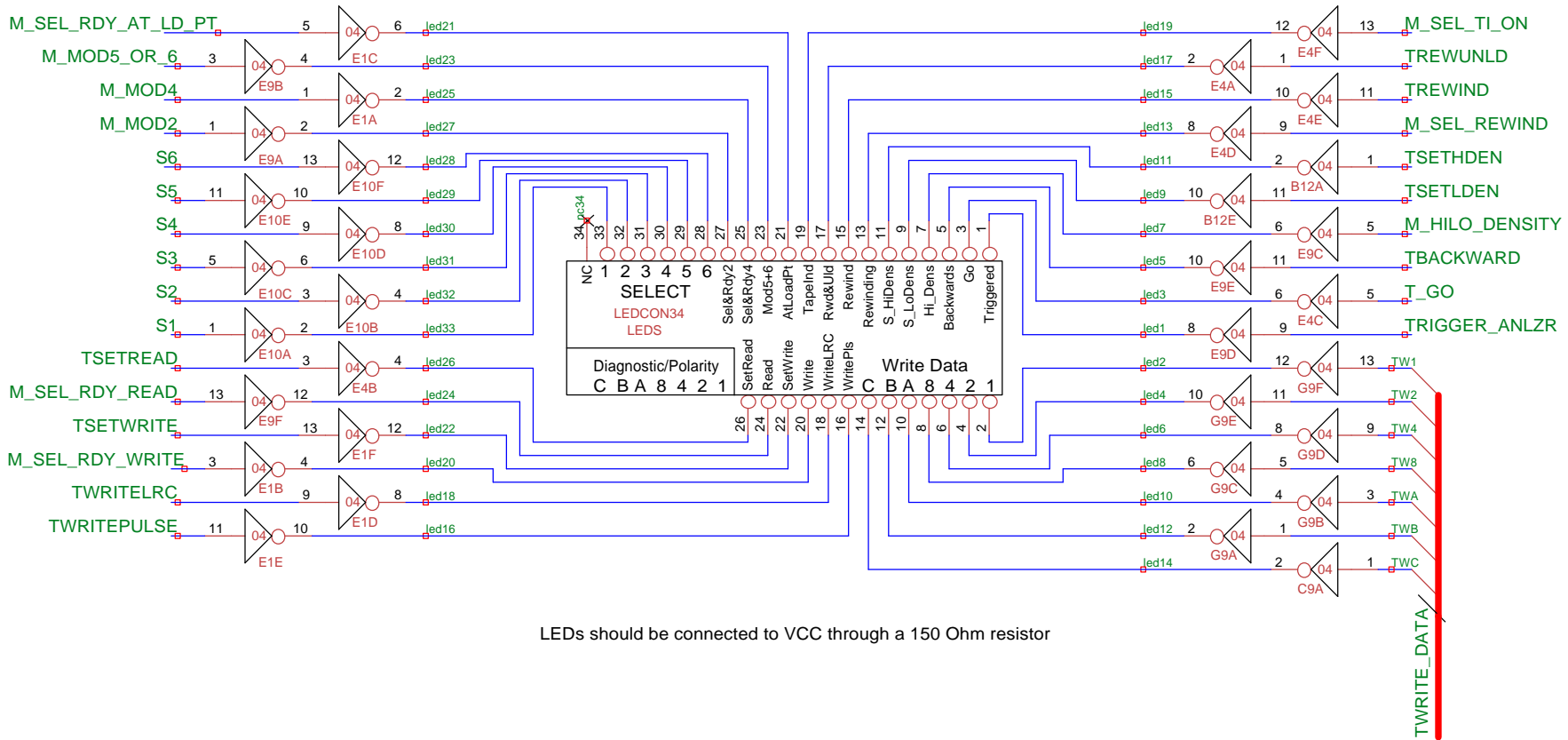


Title Monitored Signal Level Conversion		
Author Bob Feretich 1401 Team		
File	C:\IBM1401\Designs\Main16.dsn	Document
Revision 1.0	Date 3/8/2006	Sheets 5



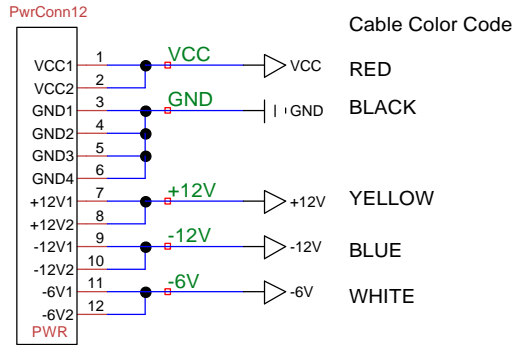
Title		
Tape Channel Connectors		
Author		
Bob Feretich		
1401 Team		
File	C:\IBM1401\Designs\Main16.dsn	Document
Revision	Date	Sheets
1.0	2/20/2006	6

## CABLE TO LED BOARD

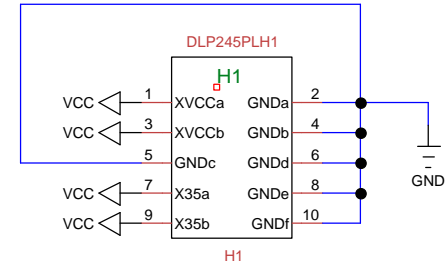


Title LED Board Connector		
Author Bob Feretich 1401 Team		
File	C:\IBM1401\Designs>Main16.dsn	Document
Revision 1.0	Date 2/14/2006	Sheets 7

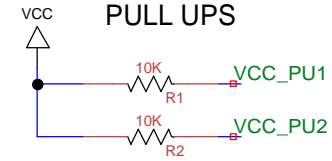
### Board Power Connection



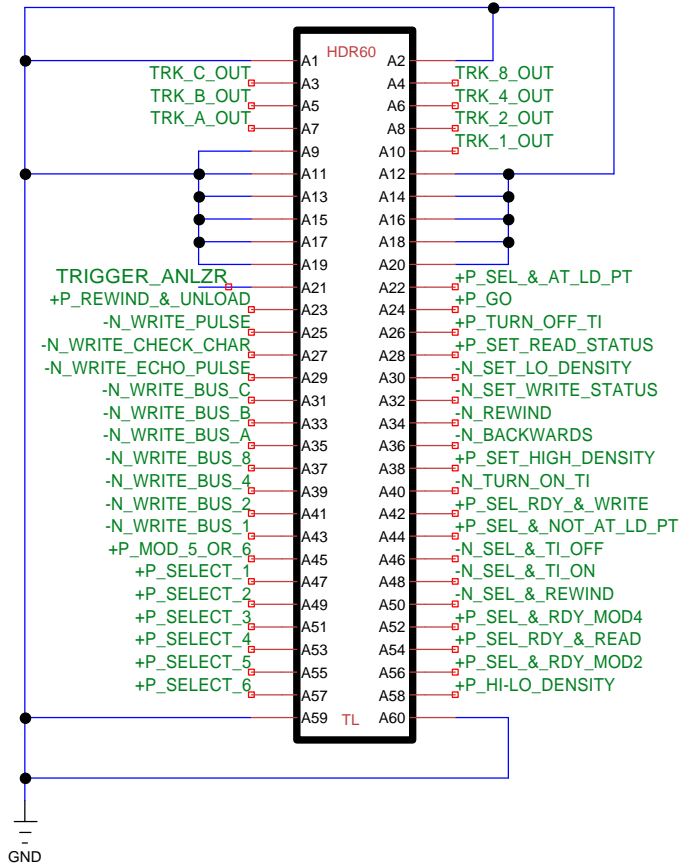
### POWER TO PIC



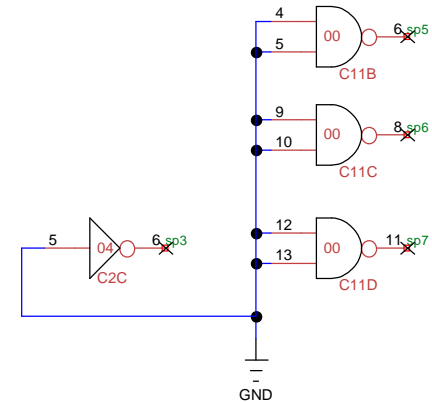
### PULL UPS



### TEST POINT CONNECTOR



### SPARES



Title		
Test Connector & Power Distribution		
Author		
Bob Feretich		
1401 Team		
File	Document	
	C:\IBM1401\Designs\Main16.dsn	
Revision	Date	Sheets
1.0	2/25/2006	8