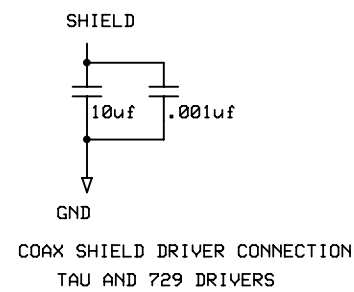
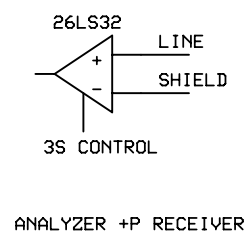
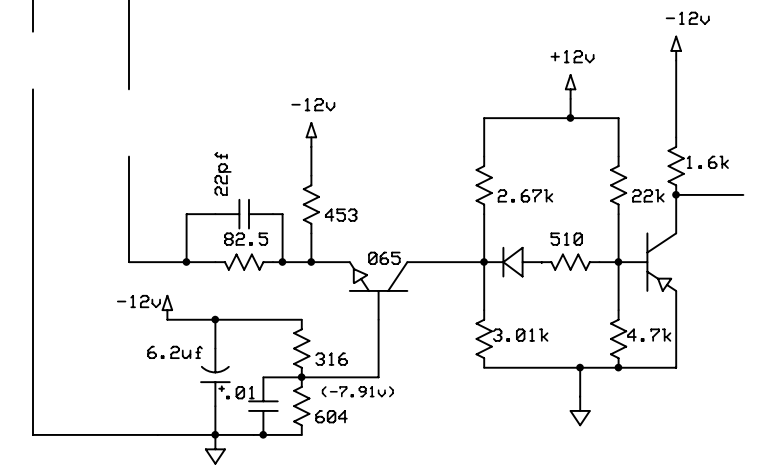
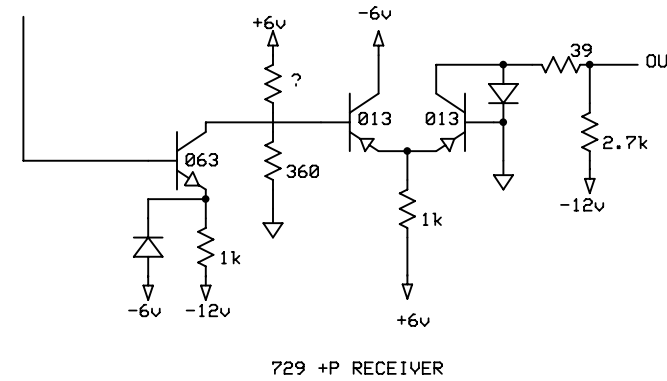
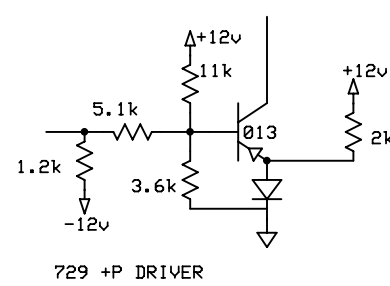
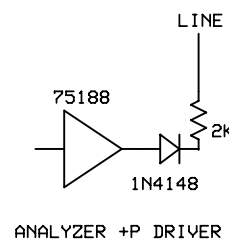
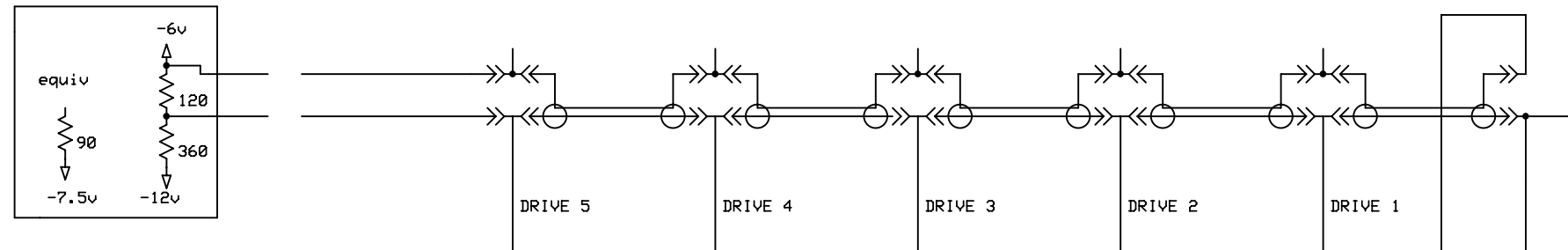
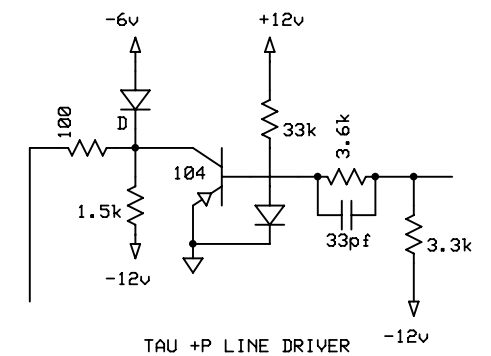


COAX SPECS Zo est 90 ohms, pf per foot is unknown, each cable is xx'

729 SOURCE +P SIGNAL LEVELS: HIGH -5.7V LOW -6.2V
 TAU SOURCE +P SIGNAL LEVELS: HIGH -4.04V LOW -6.96V

Shields are wired to -6v in each 729 for TAU sourced signals
Shields are grounded at the TAU for 729 sourced signals

LAST DRIVE TERMINATOR, FOR TAU SOURCED SIGNALS ONLY
 NO TERMINATION FOR 729 SOURCED SIGNALS
 (PROVIDED BY 729 ANALYZER IF IT IS LAST DRIVE)



729 +P TO TAU CABLING		
GRANT SAVIERS	11/4/2005 Rev 5.0	Page 1 OF 1