

0005542

DENSITY SWITCHING

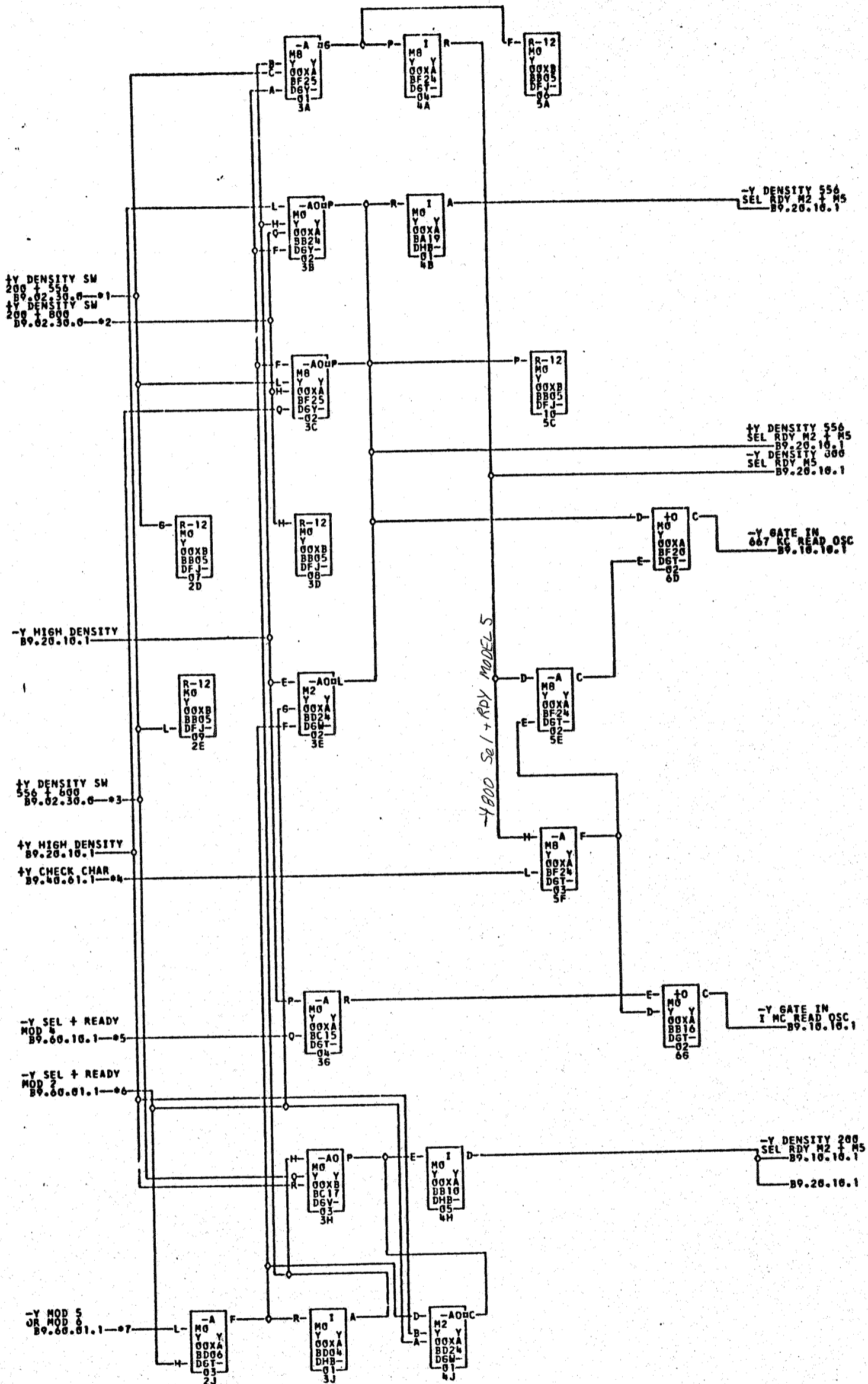
TAU 9

89.20.11.1

TAG DATE

A 10.4.62
TA 1233

B 12.3.63
TA 1775



- *1-00XBD02N
- *2-00XBD02L
- *3-00XBD02M
- *4-00XBA01R
- *5-00XBA01L
- *6-00XBA01K
- *7-00XBD01R

COMMENTS

TAG DATE	E.C.NO.	TAG DATE	E.C.NO.	TAG DATE	E.C.NO.	TAG DATE	E.C.NO.
A 11-30-61	113420	B 12-13-62	116749C				

0005542