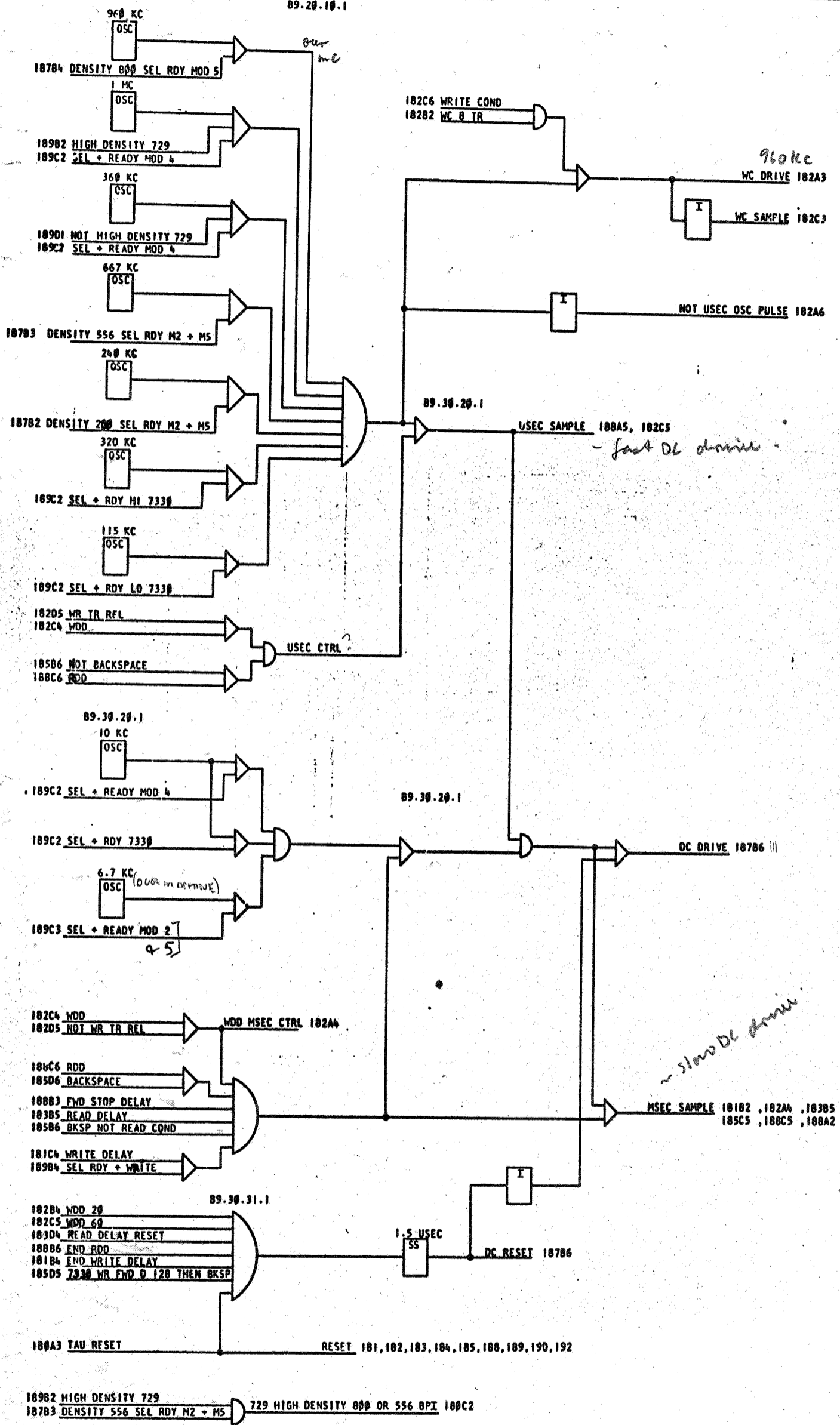


WRITE CLOCK AND DELAY COUNTER OSCILLATOR GATING
89.20.10.1

723756

FIG 186



DATE	CHANGE NO	DATE	CHANGE NO	INTERNATIONAL BUSINESS MACHINES CORP
9-7-61	112226B	17.10.61	TA 37927 B	FIG 186 WR CLOCK AND DLY
7-6-65	124688	18.OKT 65	TA 32501 F	COUNTER OSC GATING
				DESIGN
				DETAIL
				CHECK
				APPRO
				TYPE
				SCALE
				DRAW VE 6-5-61
				CHECK

723756