

0805588

DUAL SPEED CARR. SPEED CONTROL

1401 DS

46.51.41.2

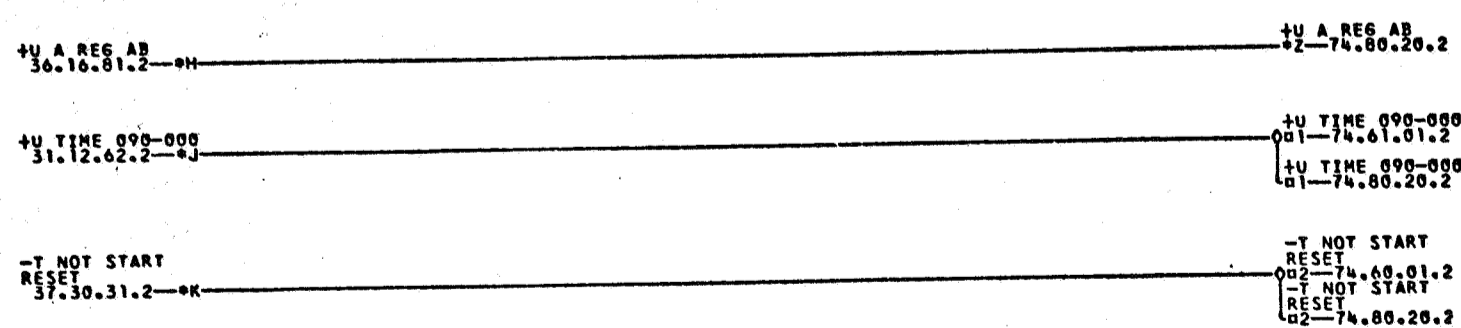
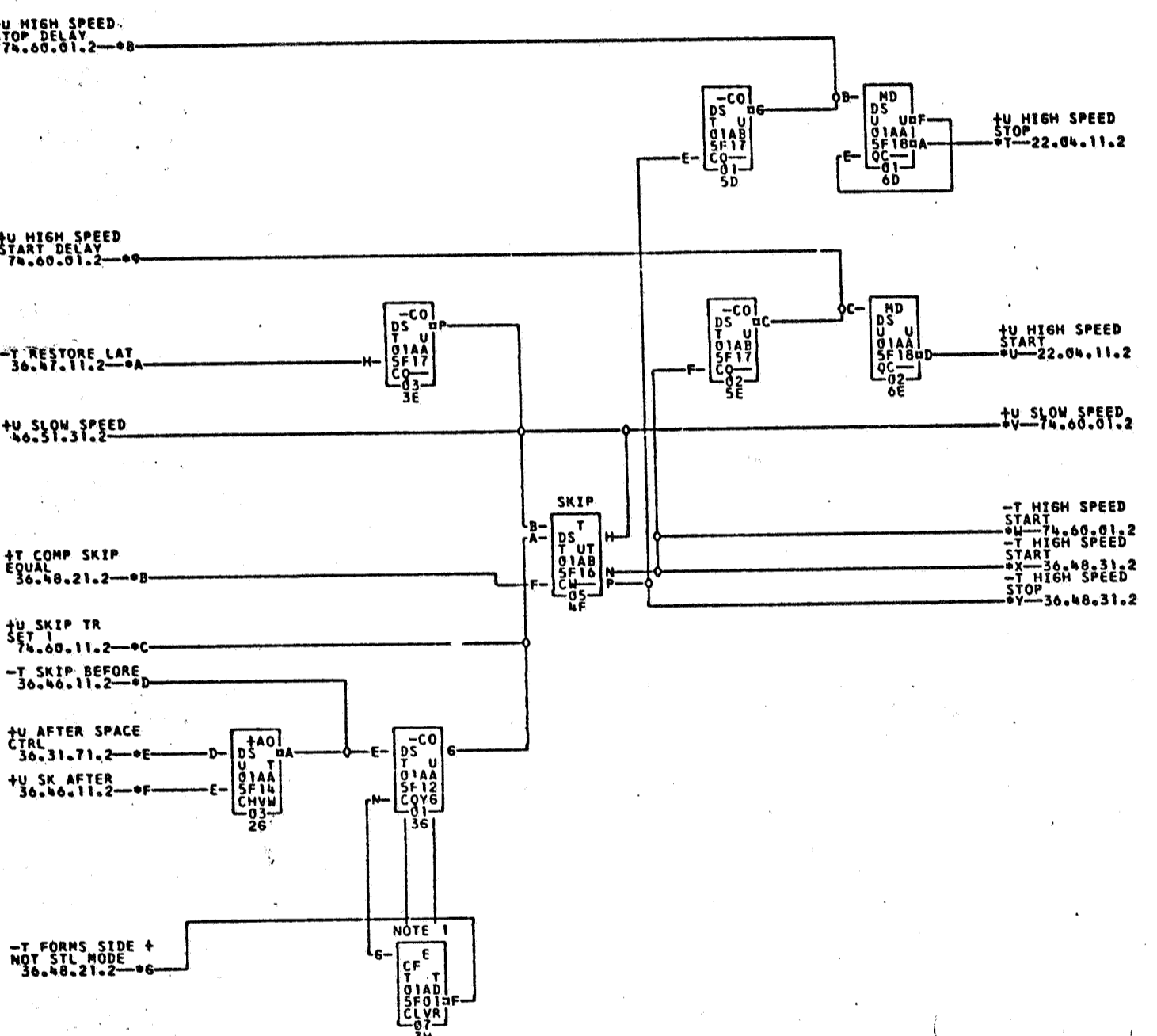
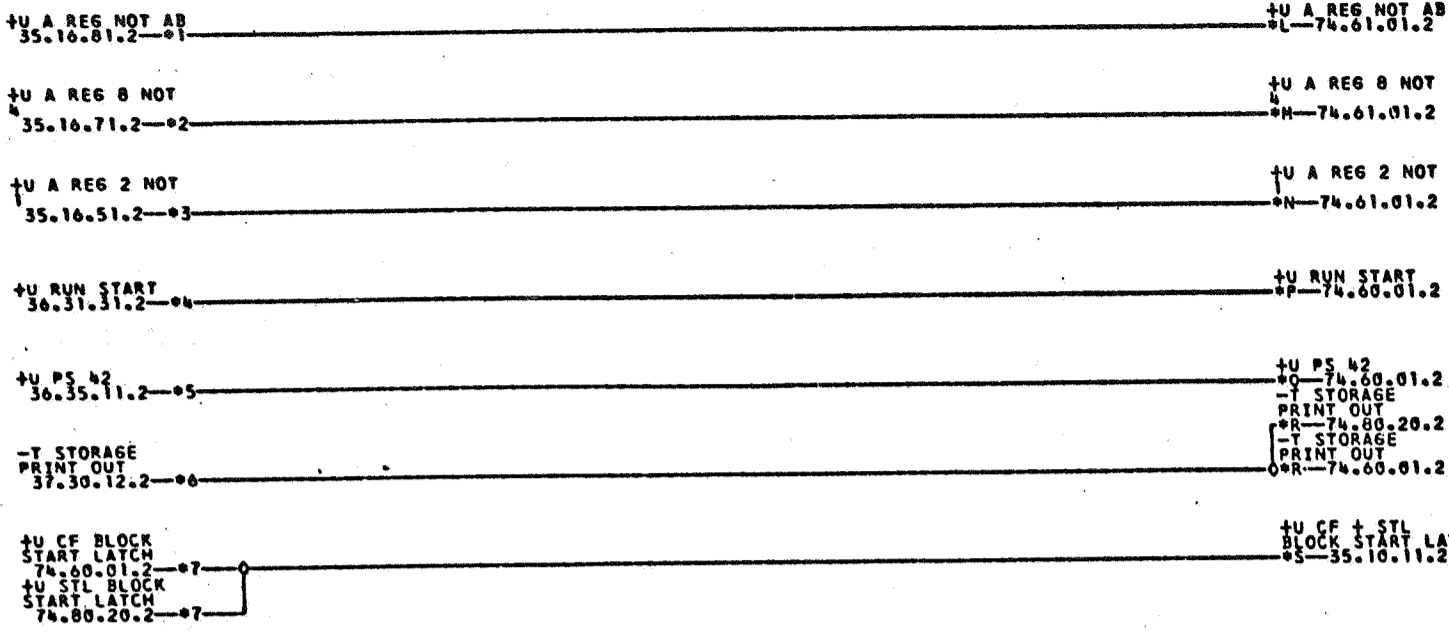
TAG DATE

D 7.11.62

TA 1820

E 20.2.63

TA 1747



- |             |             |             |             |             |             |
|-------------|-------------|-------------|-------------|-------------|-------------|
| *1-01A5C26H | *2-01A5C26J | *3-01A5C26K | *4-01A5B26M | *5-01A5B26N | *6-01A5B26Q |
| *7-01A5E26M | *8-01A5E26C | *9-01A5E26D | *A-01A5B25J | *B-01A5B25K | *C-01A5E26H |
| *D-01A5B25L | *E-01A5B25N | *F-01A5B25M | *G-01A5C25R | *H-01A5C26L | *J-01A5B25P |
| *K-02B8C04F | *L-01A5E26E | *M-02A9A156 | *N-02B8C04E | *O-01A5E26F | *P-02A9A176 |
| *O-02B8C04J | *P-01A5F266 | *Q-02A9A196 | *R-02B8C04G | *Q-01A5E26J | *R-02A9D156 |
| *S-02B8C04L | *O-01A5E26K | *S-02A9D176 | *S-02B8C04K | *R-01A5E26L | *S-02A9D196 |
| *U-01A5A25N | *S-01A5C26M | *T-01A3E24M | *T-01A5D25Q | *R-01B2D04Q | *T-01A5A25P |
| *V-02B8C04B | *V-01A5E26A | *U-02A9A076 | *U-02B8C04A | *W-01A5E268 | *U-02A9A096 |
| *W-02B8C04D | *X-01A5C25N | *Y-01A5C25Q | *Z-02B8C04A | *X-02A9C196 | *V-02B8C04Q |
| *1-01A5E26N |             |             | *2-01A5E26P |             | *W-02B8C04P |

NOTE 1-CARD MUST BE PLUGGED FOR BOTH THE CF AND STL FEATURES

TAG DATE E.C.NO. TAG DATE E.C.NO. TAG DATE E.C.NO. TAG DATE E.C.NO.  
 A 12-06-61 112269D B 12-20-61 112269E C 02-26-62 114806 D 07-26-62 116228  
 E 12-06-62 116738

805588