

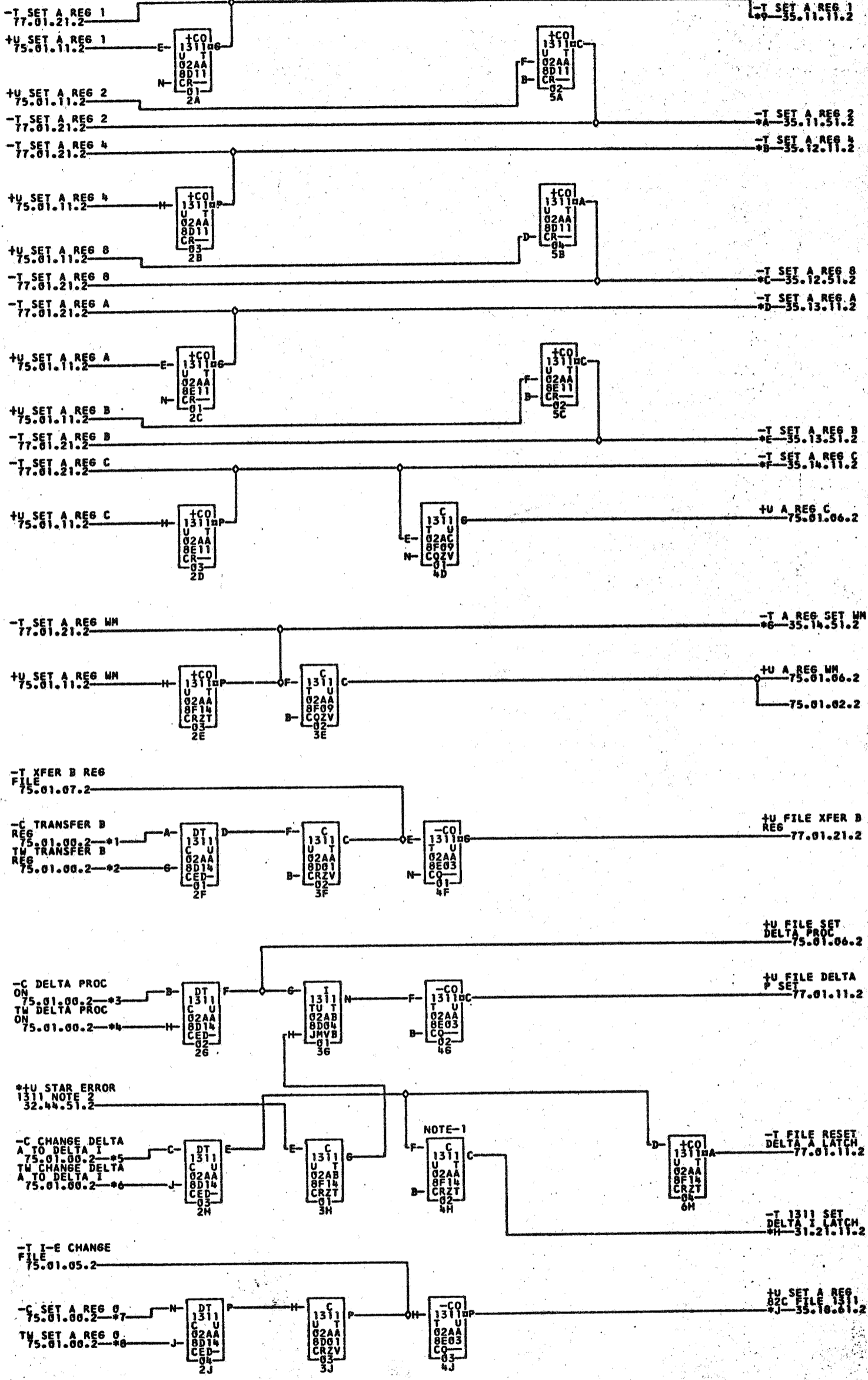
0731920

A REGISTER SET

1401LCF

75.01.08.2

TAG DATE



A 28.2.63
 TA 1740
 D 21.6.63
 TA 1870A

*1-02ABE25E	02B5C247	13A1XD20	*2-02ABE25F	02B5C272	13A1XD25
*3-02ABE25G	02B5C248	13A1XD01	*4-02ABE25H	02B5C273	13A1XE12
*5-02ABE25I	02B5C249	13A1XD02	*6-02ABE25J	02B5C274	13A1XE13
*7-02ABE25K	02B5C250	13A1XD03	*8-02ABE25L	02B5C275	13A1XE14
*8-02ABE25M	02B5C251	13A1XD04	*9-02ABE25N	02B5C276	13A1XD12
*9-02ABE25P	02A8E07G	02A8E16C	*A-01A3F23A	02A8E246	02A8E09D
*A-02A8C18C	01A3F23B	*B-02A8E24H	*B-02A8E09E	02A8C20C	01A3F23C
*C-02ABE24J	02A8E09F	*C-02A8D02C	*C-01A3F23D	*D-02ABE24K	02A8E09E
*D-02A8D04C	01A3F23E	*E-02A8E24L	*D-02A8E11D	*E-02A8D05C	01A3F23F
*E-02ABE24M	02A8E11E	*F-02A8D08C	*E-01A3F23G	*F-02A8E24N	01A3F23G
*F-01A3E23Q	*H-02A8F21F	*G-01B2F05A	*G-02A8F21H	*G-01A3C66H	02A8F17B

NOTE 1-REPLACE WITH CRYG NO. 0371277
 TAG DATE F.C.NO. TAG DATE F.C.NO. TAG DATE F.C.NO. TAG DATE F.C.NO.
 A 11-17-62 116245A B 03-01-63 117141 C 03-26-63 117233 D 04-02-63 117245

731920