

0482880

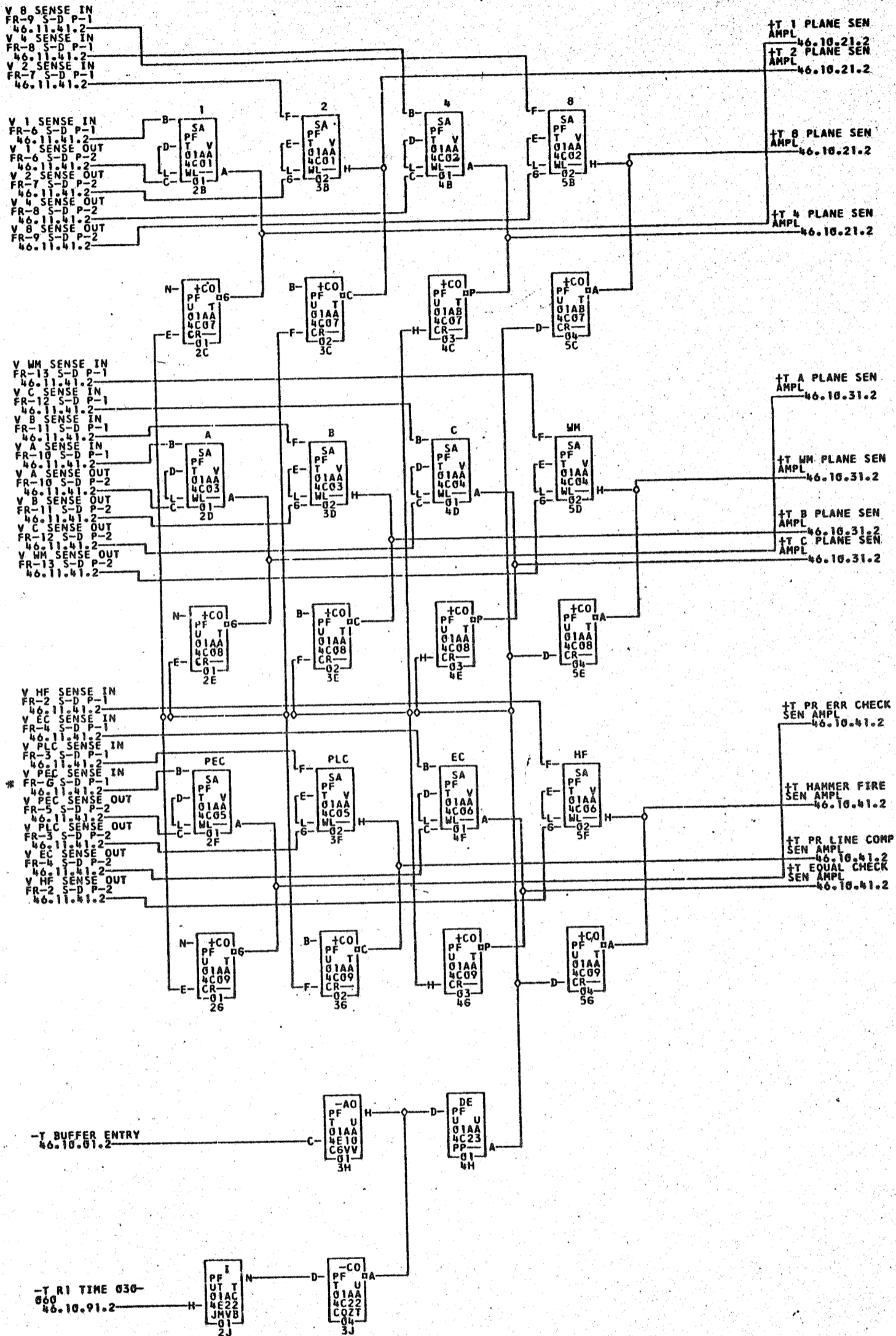
PRINT STORAGE SENSE AMPLIFIERS

1401 PF 46.10.61.2

TAG DATE

\* 7.9.62  
TA 1370L

D 5.3.63  
TA 1770A



COMMENTS  
FR MEANS FRAME S MEANS SIDE P MEANS PIN OR TERMINAL

TAG DATE	E.C.NO.	TAG DATE	E.C.NO.	TAG DATE	E.C.NO.	TAG DATE	E.C.NO.
A 09-06-60	109501	B 10-21-60	109520	C 12-01-61	115422	D 12-07-62	116739

482880  
1770A