

0724654

VALIDITY CHECK

36.13.11.2

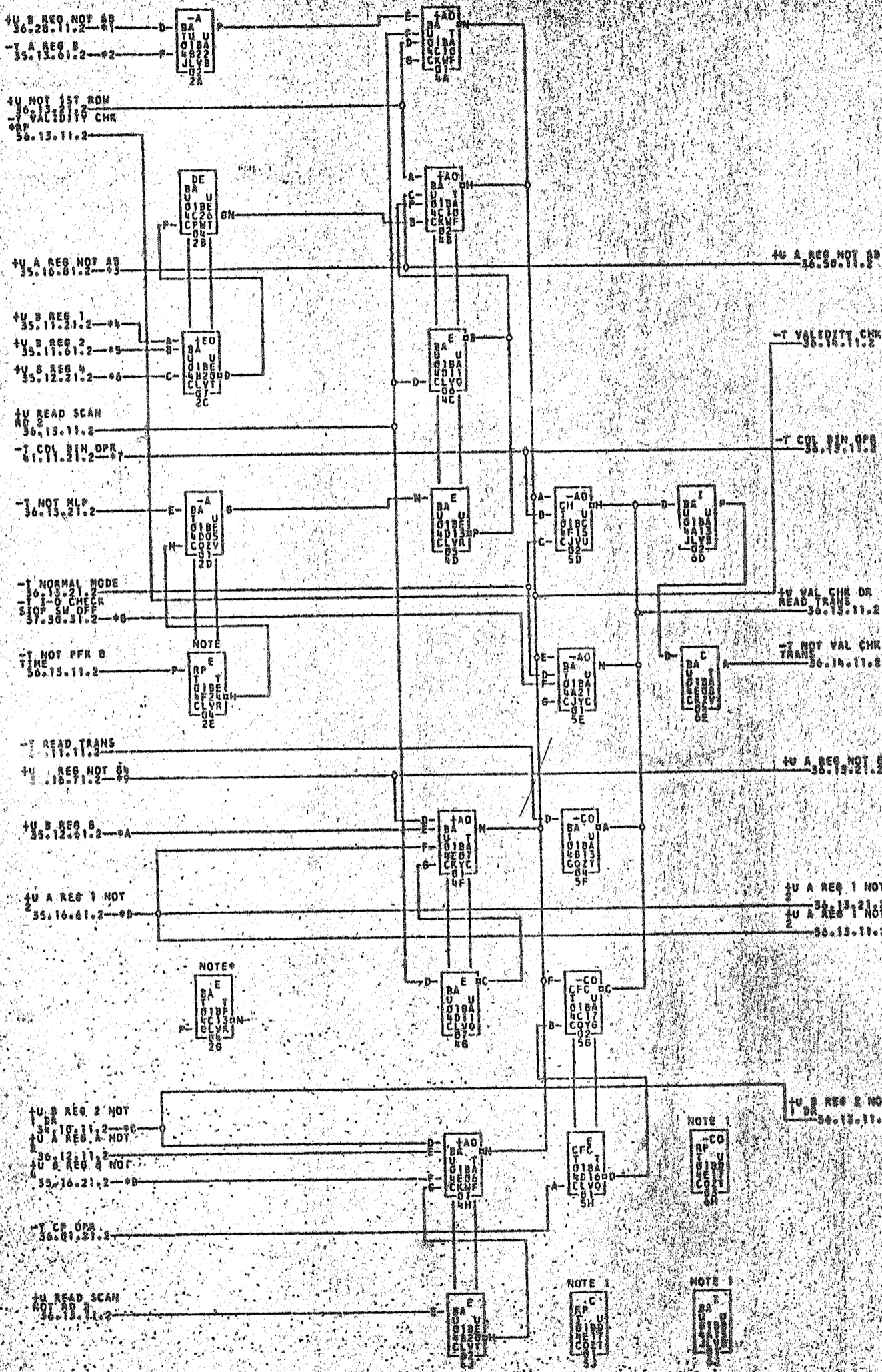
TAG DATE

36.4.63

TA 1815A

F 18.6.63

TA 1859



(Symbol) (Symbol) (Symbol) (Symbol) (Symbol) (Symbol)
(Symbol) (Symbol) (Symbol) (Symbol) (Symbol) (Symbol)

COMMENTS
 NOTED THIS CIRCUIT REQUIRED FOR PFC
 REQUIRE THIS CARD MUST BE PRESENT
 CAREFULLY THE PUNCH CARD READ BY THE
 NOTE: THIS CIRCUIT IS RESERVED FOR THE A
 DATE 36.13.11.2 DATE 36.13.11.2 DATE 36.13.11.2 DATE 36.13.11.2 DATE 36.13.11.2