

0724653

SET UP A REG CONTROL

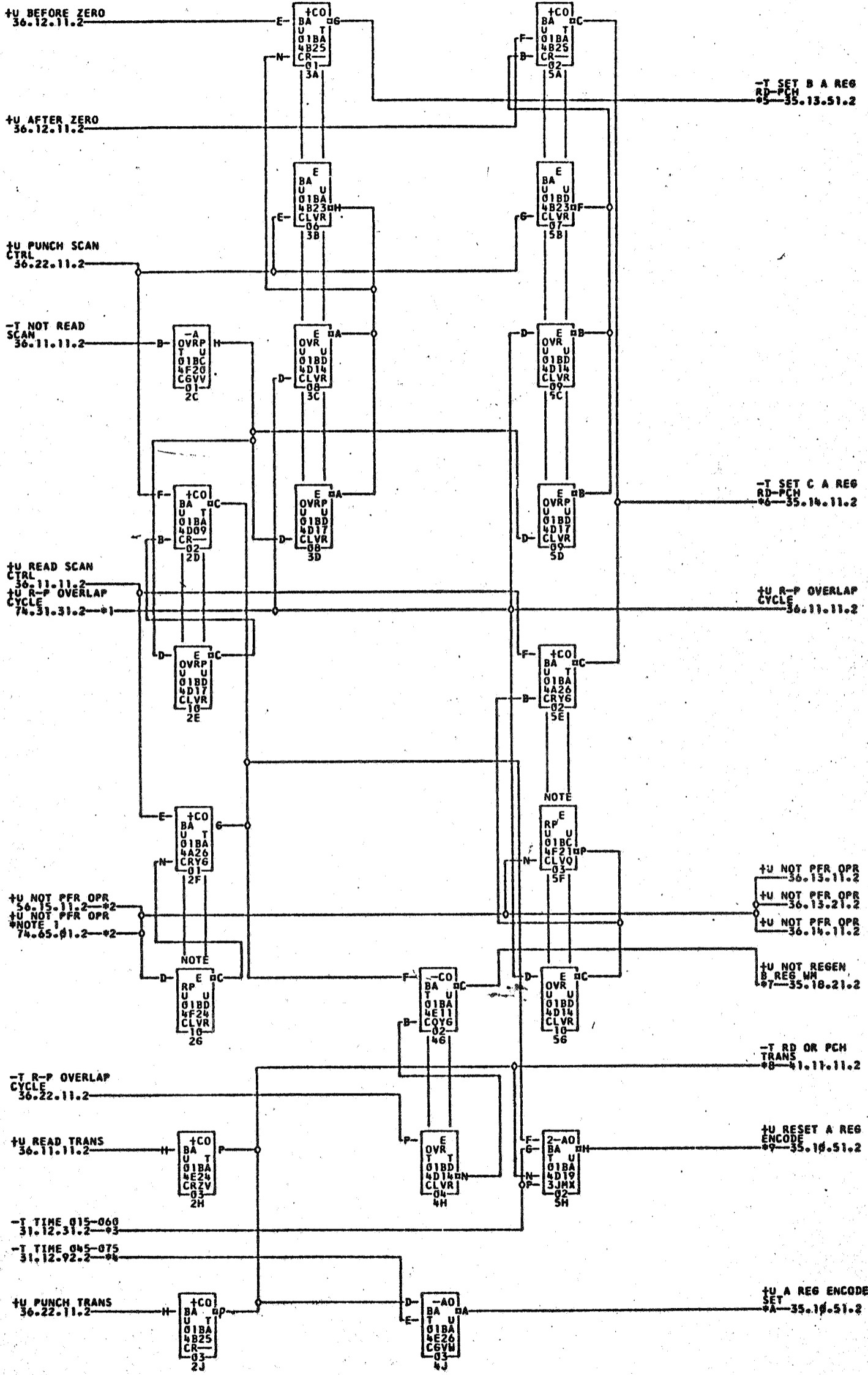
1401

36.12.21.2

TAG DATE

D 16.4.63
TA 1815A

E 18.6.63
TA 1859



- *1-01B4D04K *2-01B4F01P *3-01B4A02F *4-01B4A026 *5-01B4E01N *6-01B2B04N
- 01B2D04S 01A3D256 *7-01B4E02A 01A3A23R 01B501B 01B2A04B
- 01B2D03I 01A3D24L *8-01B4F03A 02A9C15C 02B8F02A 01B4E026
- 01A3A236 *A-01B4E02H 01A3A23H

NOTE 1-LOGIC DIAGRAM IF THE CARD FEED COMP CFC FEATURE IS PRESENT BUT NOT THE PUNCH FEED READ RP FEATURE
 NOTE-THE CARD MUST BE PRESENT IF EITHER THE PUNCH FEED READ RP OR THE CARD FEED COMP CFC FEATURE IS PRESENT

TAG DATE F.C.NO. TAG DATE F.C.NO. TAG DATE F.C.NO. TAG DATE F.C.NO.
 A 12-26-63 112259F B 01-25-62 115830A C 02-14-62 114242A D 01-17-63 116787

724653