

0729170

I RING OP-1-2-3

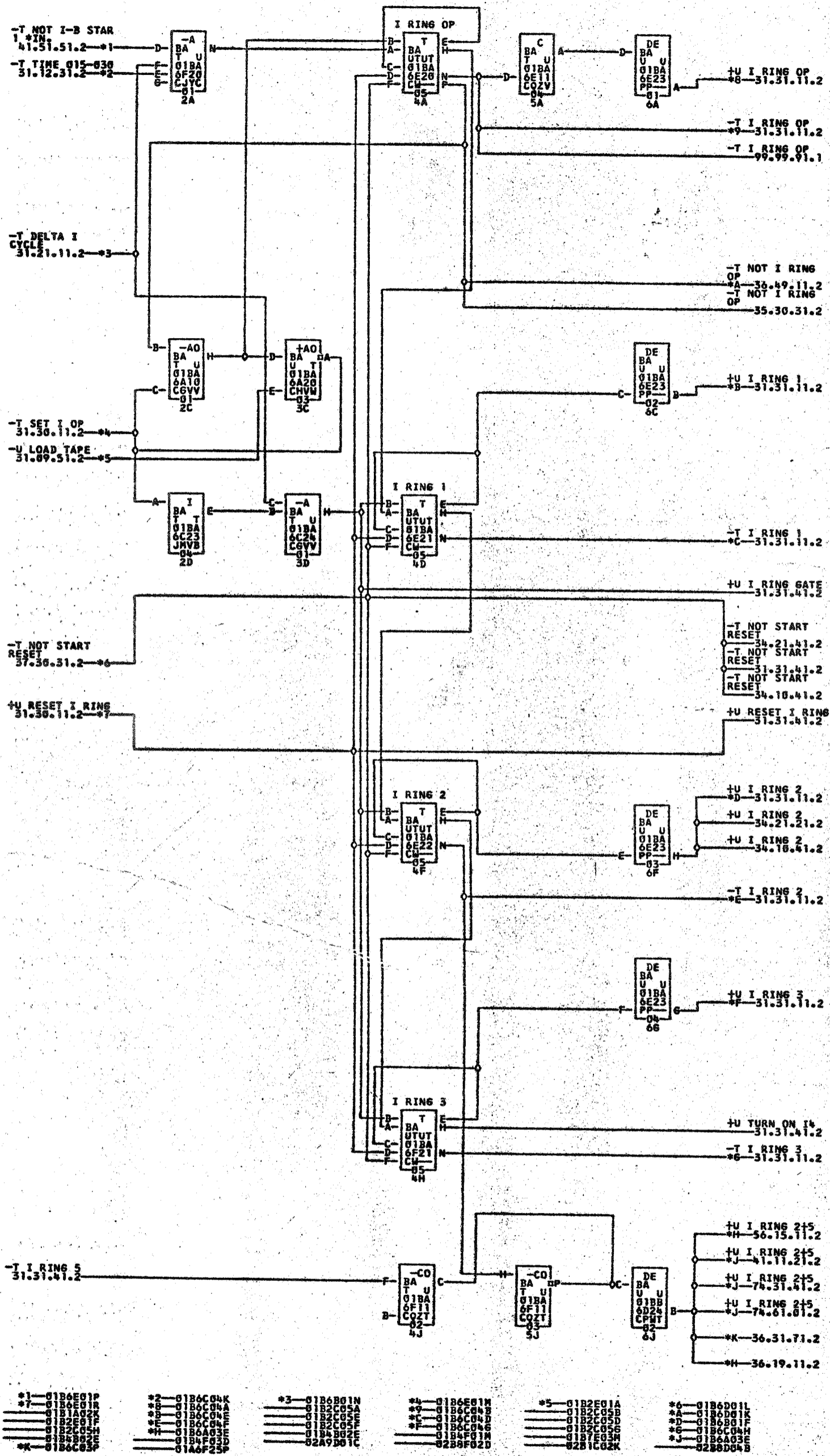
1401

31.31.31.2

TAG DATE

D5.3.633  
TA 1771A

E 12.11.68  
TA 604A



COMMENTS

TAG DATE	E.C.NO.	TAG DATE	E.C.NO.	TAG DATE	E.C.NO.	TAG DATE	E.C.NO.
12-18-61	113530	05-01-62	114136	10-23-62	114164	12-11-62	114178
09-25-63	1185758						

729170