

6729073

I CYCLE LATCH

1401

31.24.11.2

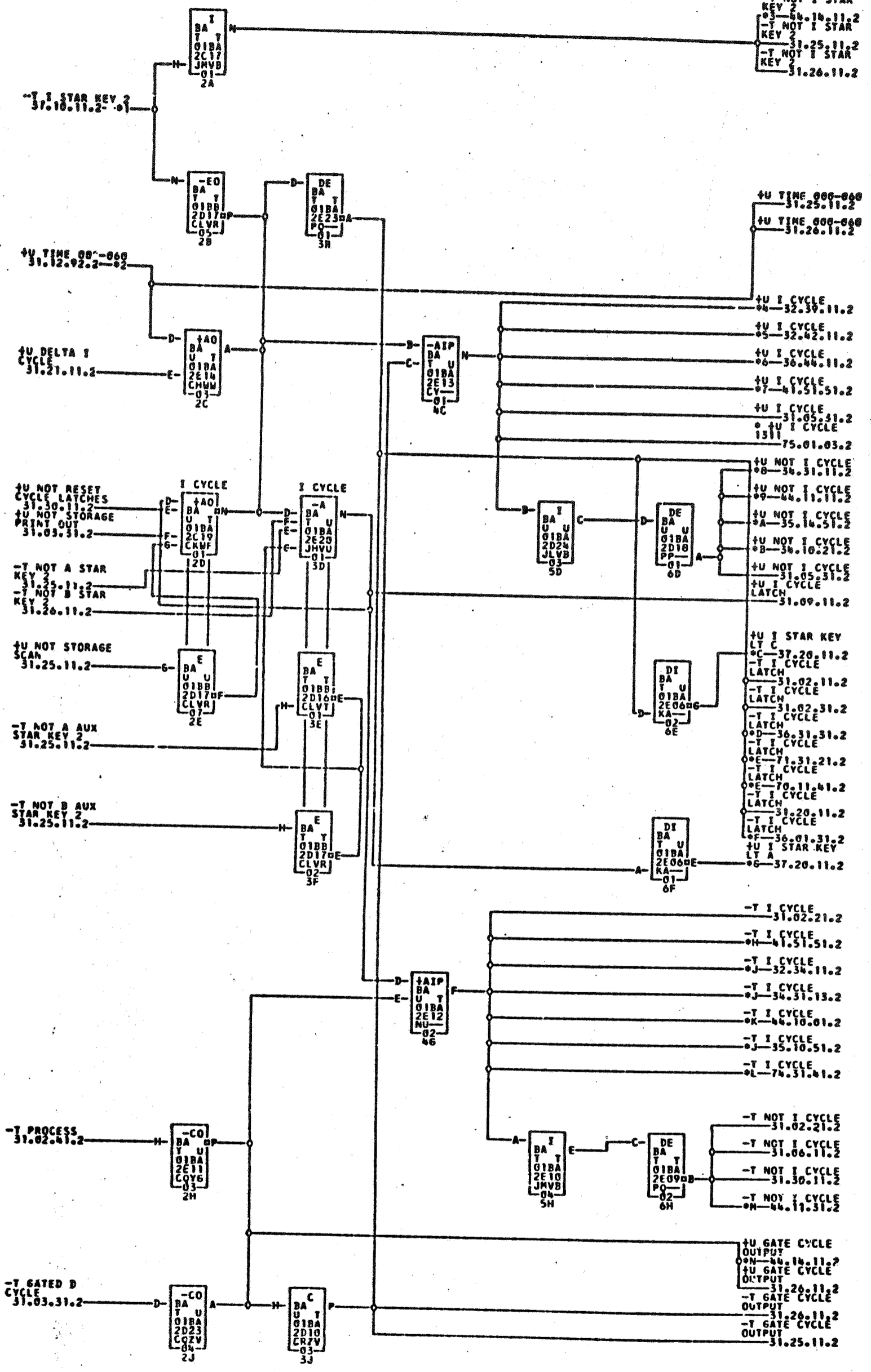
TAG DATE

A 5.4.62

TA 1233B

B 5.3.63

TA 1771A



- | | | | | | |
|--------------|--------------|--------------|--------------|--------------|--------------|
| *1-01B2F03G | *2-01B2F01A | *3-01B2A03L | *4-02A9F09C | *5-02B7E01L | *6-01B2D02P |
| *7-01A7F25P | *8-01B2D01A | *9-01A8D26A | *10-01B2C02H | *11-01B1D01H | *12-01B2A02E |
| *13-02A0D03E | *14-02B6A02E | *15-01B2E04E | *16-01B3E03E | *17-01B2B03H | *18-02A9F03D |
| *19-02B7B01H | *20-01B2E03F | *21-01A3D24F | *22-01B2E01A | *23-01B6B01A | *24-01B2F04P |
| *25-01A2A13P | *26-01B2B01G | *27-01A6E26G | *28-01B2C016 | *29-02A2A24G | *30-02A1D26B |
| *31-01B2A04R | *32-01B4B01R | *33-01B2F04N | *34-01A2A13N | *35-01B2A02G | *36-02A0D07E |
| *37-02B6A02G | *38-01B2E02K | *39-02A9F05D | *40-01A3A26H | *41-01A6C25L | *42-01A7A26N |
| *43-01B2B03J | *44-02A9F05D | *45-02ABF24Q | *46-01B2C03K | *47-02A0D13G | *48-01A7A26N |
| *49-02B1D02E | *50-02ABF24Q | *51-02B7B01P | *52-02A9E19C | *53-02B7E01F | *54-02ABF24Q |
| *55-02A0D02H | *56-02B7E01H | *57-01B2A03F | | | *58-01B2A03H |

COMMENTS
NOTE ASTERISK PRECEDING SIGNAL INDICATES DIRECT CABLE EXPANSION

TAG DATE E.C.NO. TAG DATE E.C.NO. TAG DATE E.C.NO. TAG DATE E.C.NO.
A 12-15-61 113530 D 12-10-62 114178

729073