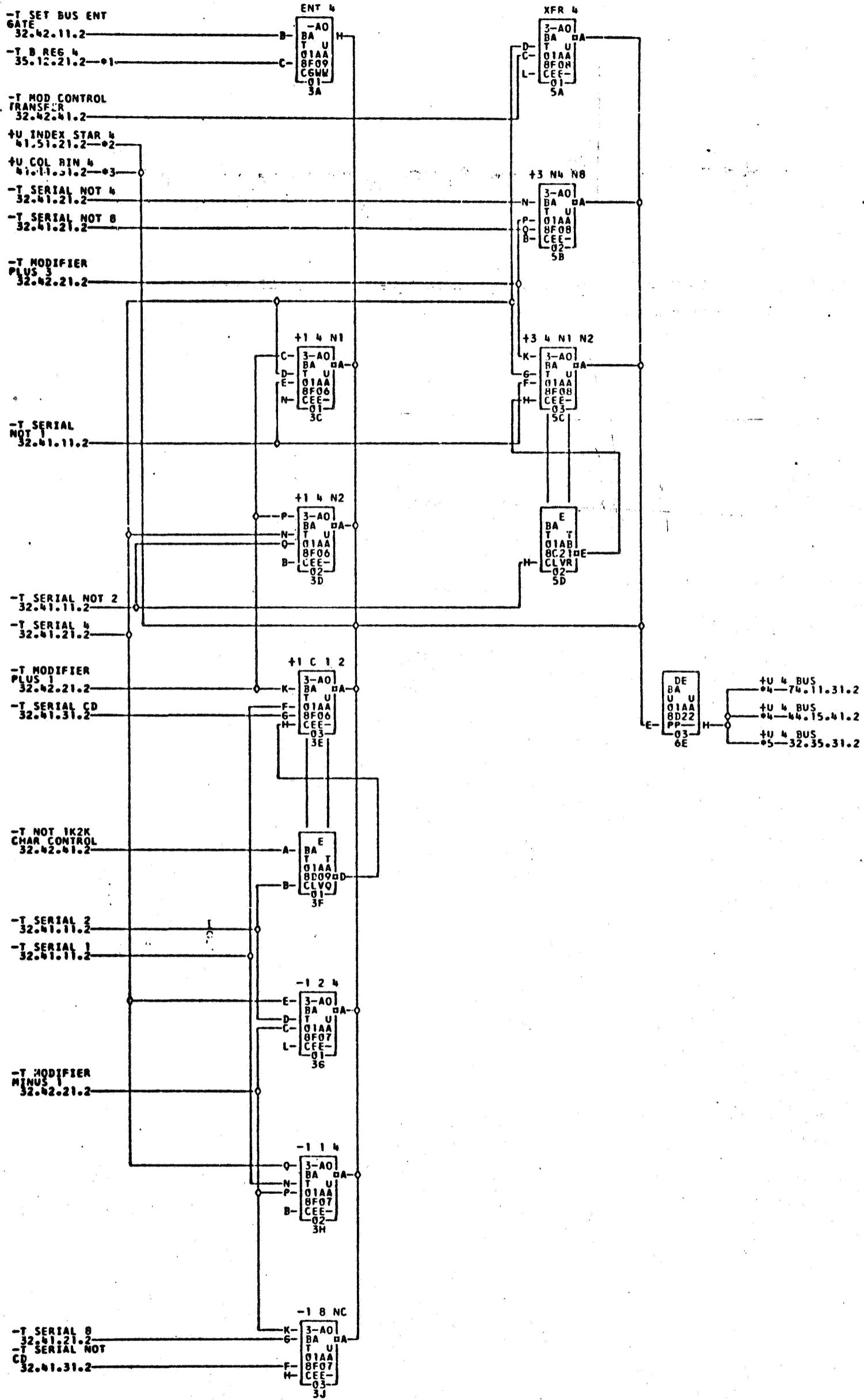


A 5.4.62

TA 1233B

B 25.3.63

TA 1795



- *1—01A0F24C *2—01A8E26C *3—01A8D24F *4—01A8F26D —02A9D01A —02A7B26D
- 02B1A02D *5—01A8D25C —01A7B26C

728948