

0728942

MODIFIER CTROLS T PLUS 1 AND MINUS 1

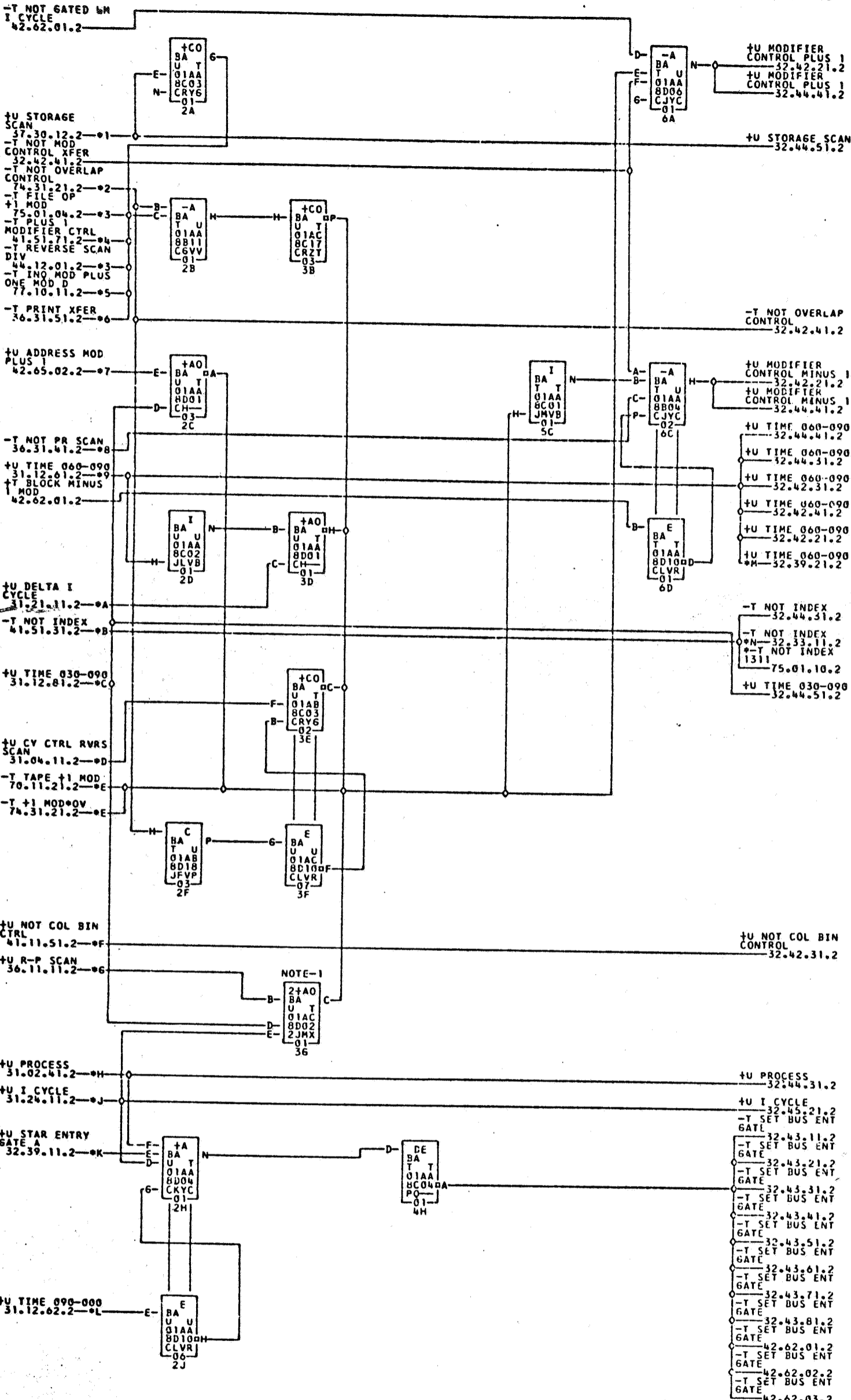
1401 BA

32.42.11.2

TAG DATE

B 26.4.62  
TA 1233D

C 25.3.63  
TA 1795



- \*1-01A8C266
- \*2-01A8E030
- \*3-01A8C25H
- \*4-01A8E23P
- \*5-01A8F24Q

- \*6-01A8A25K
- \*7-02A0601L
- \*8-01A8F24L
- \*9-01A8F24P
- \*10-01A8D24N
- \*11-01A8D25J

- \*12-01A8F26L
- \*13-01A8F26L
- \*14-01A8D26C
- \*15-01A8E24K
- \*16-01A7B26J

- \*17-01A8E26R
- \*18-01A8C25L
- \*19-01A8E26Q
- \*20-01A8E25E
- \*21-01A8A26F

- \*22-01B8A0CD
- \*23-01A8B25C
- \*24-01A8E25C
- \*25-01A8D26A
- \*26-01A7A23F

- \*27-01B7D02R
- \*28-06B7A15C
- \*29-01A8D26B
- \*30-01A8C25A

NOTE-1 TIE DO2A TO DO2M WHEN OVERLAP FEATURE IS INSTALLED  
 NOTE ASTERISK PRECEEDING SIGNAL INDICATES DIRECT CABLE EXPANSION

TAG DATE	F.C.NO.	TAG DATE	E.C.NO.	TAG DATE	E.C.NO.	TAG DATE	E.C.NO.
A 12-18-61	113530	B 01-23-62	113630	C 12-19-62	114177C		

728942