

0724591

STORAGE ADDRESS H2 LOCATION C12-D12

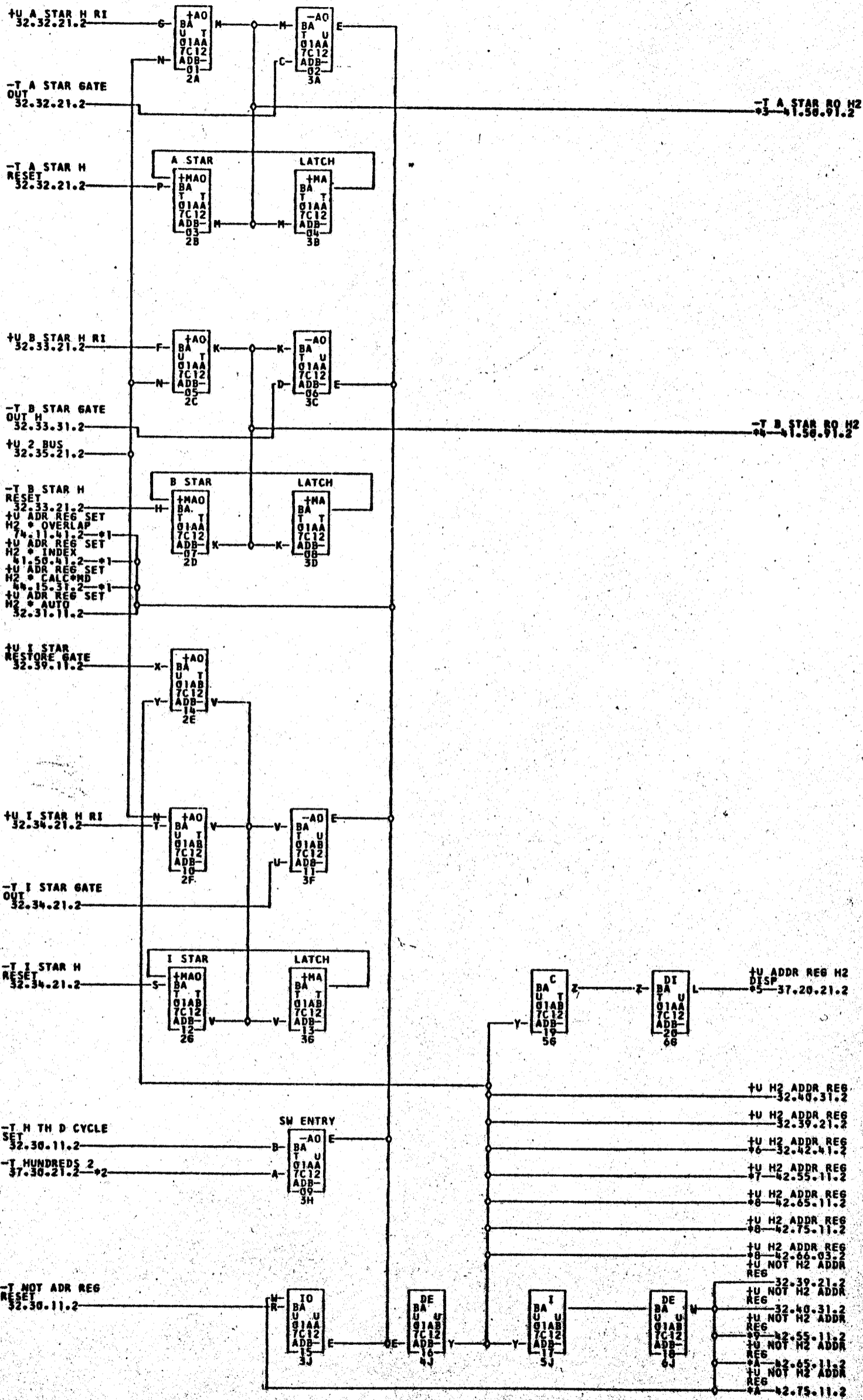
1401 BA

32.37.21.2

TAG DATE

A 28.5.62
TA 1344

B 12.3.63
TA 1775



- +1-01A7A24M +2-01A7E26M +3-01A7F24D +4-02A9H02D +5-01A7C25M +6-02B6D01D +7-01A7B25E
- +8-01A7C25M +9-01A7D24N +10-01A7A01M +11-01A7D25P +12-01A7E02M

724591
1775

COMMENTS

TAG DATE	E.C.NO.	TAG DATE	E.C.NO.	TAG DATE	E.C.NO.	TAG DATE	E.C.NO.
A 12-23-61	1122696	B 12-14-62	1167499				