

0724581

STORAGE ADDRESS U2 LOCATION C02-D02

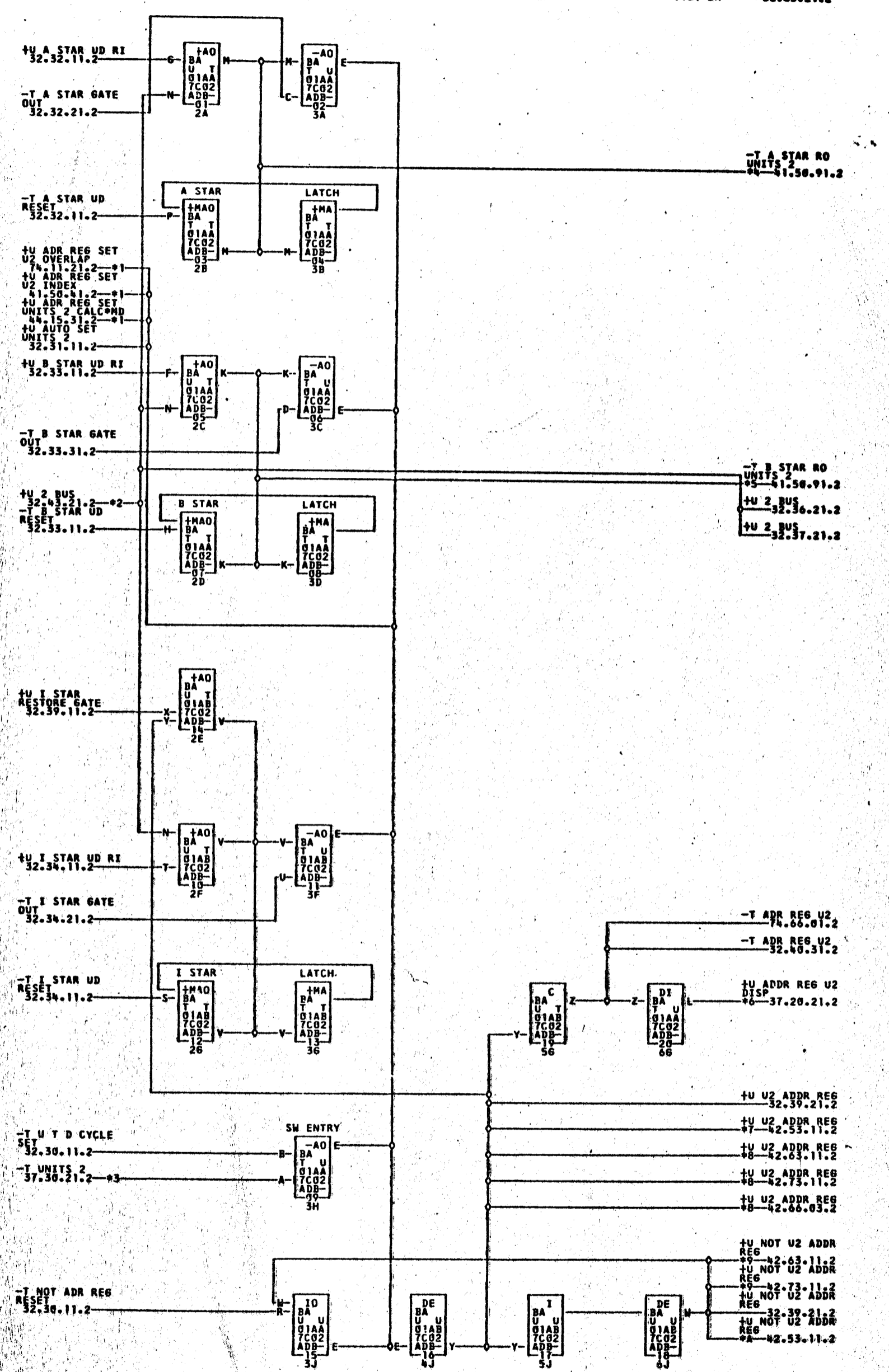
1401 BA

32.35.21.2

TAG DATE

A 28.5.62
TA 1344

B 12.3.63
TA 1775



- *1-01A7A24B *2-01A7B26B *3-01A7E26B *4-01A7F24F 02A9B11D 02B0D01F
- *5-01A7B25B *6-01A7C23B 02B0B016 *6-01A7C24B 01A2A01B *7-01A7C25B
- 01A7E02B *8-01A7C23B 06B7A01D *9-01A7D23B 06B7A04B *A-01A7D25B

724581