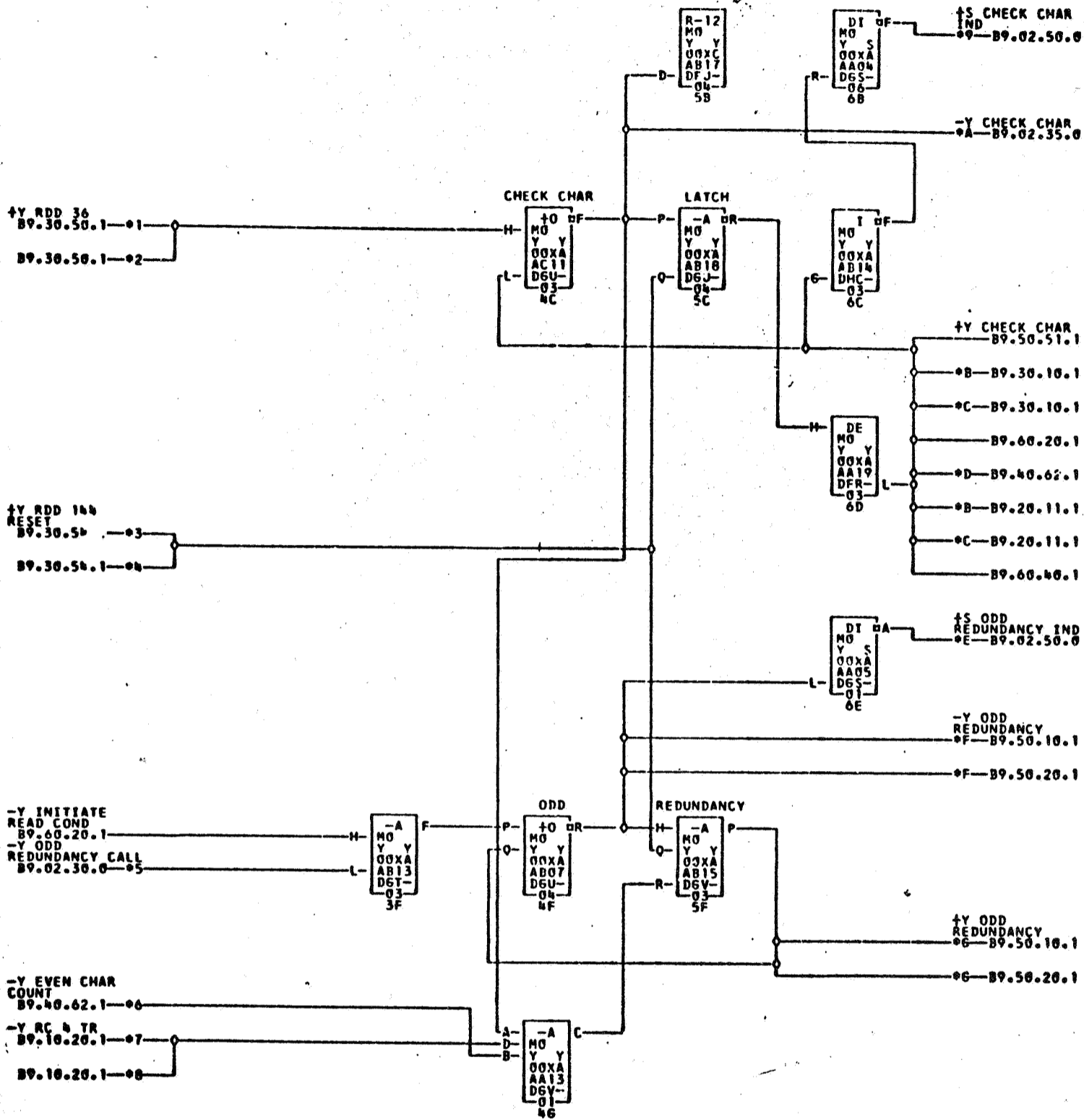


B 14.12.62  
TA 1878A

C 16.4.63  
TA 1815A



\*1-00XAC01M  
\*7-00XAE02M  
\*D-00XAF01K

\*2-00XAC26M  
\*H-00XAE26M  
\*I-00XAA02B

\*3-00XAC01M  
\*9-00XAA02A  
\*F-00XAF01H

\*4-00XAC26M  
\*A-00XAC02G  
\*6-00XAF01G

\*5-00XAC02L  
\*B-00XAA01R

\*8-00XAF01L  
\*C-00XAA26R

729197

COMMENTS

00XA 02B2 1501  
00XA 16D3 1410

TAG DATE E.C.NO. TAG DATE E.C.NO. TAG DATE E.C.NO. TAG DATE E.C.NO.  
A 01-26-62 113848 B 10-03-62 114048 C 12-13-62 116179