

0761271

R-W REGISTER BIT POSITION

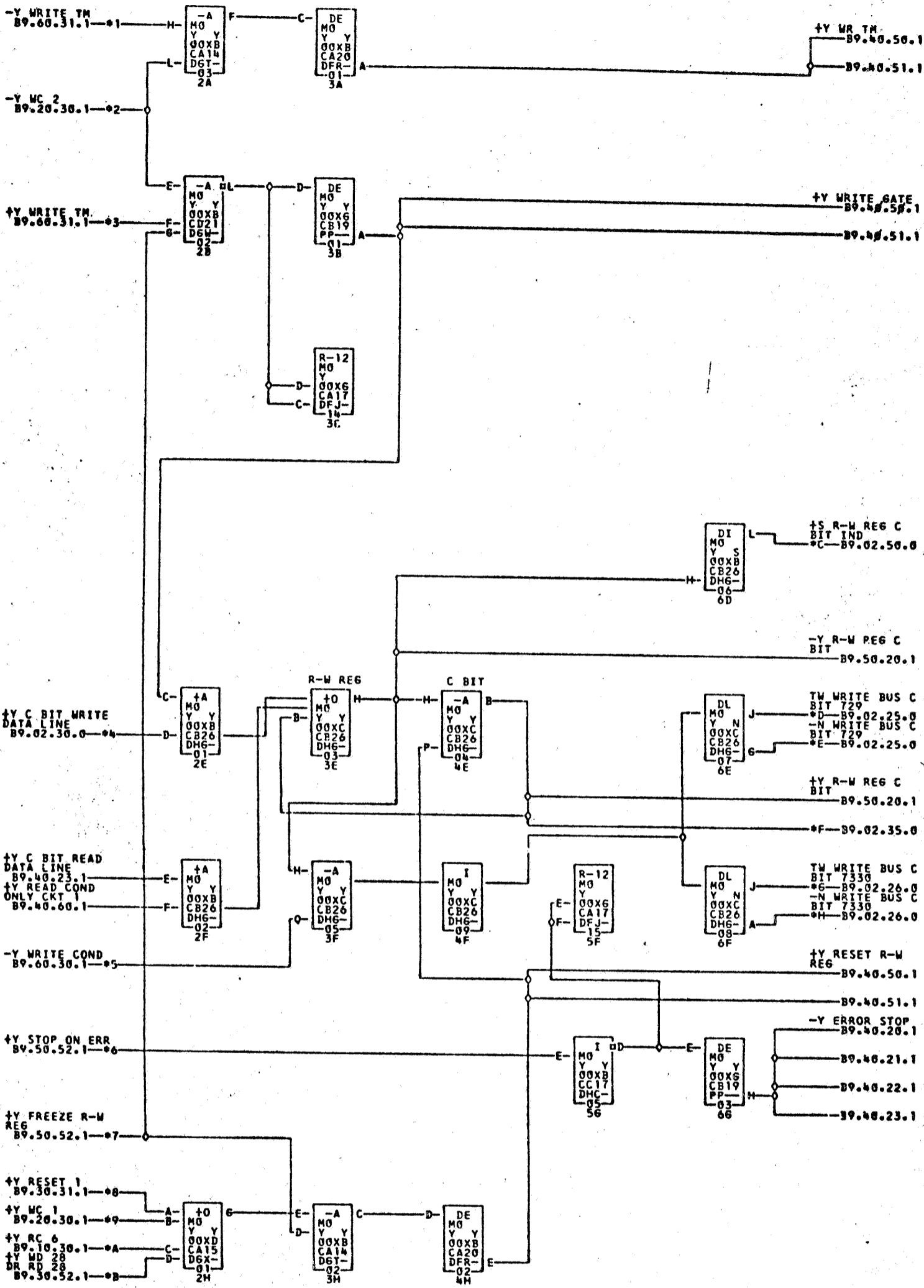
TAU 9

B9.40.52.1

TAG DATE

F 26.7.61
TA 37705A

G 12.3.63
TA 1775



*1-00XCC02A *2-00XCA020 *3-00XCC02C *4-00XC0026 *5-00XCC02F *6-00XCC010
 *7-00XCC02D *8-00XCA02B *9-00XCA02M *A-00XCA02N *B-00XCE02E *C-00XCA018
 *D-00XCD02N *E-00XCD02P *F-00XC0016 *G-00XC001N *H-00XCD01P

1401 1410 COMMENTS
 00XC 02B4 14D6

TAG DATE	E.C.NO.	TAG DATE	E.C.NO.	TAG DATE	E.C.NO.	TAG DATE	E.C.NO.
A 11-16-60	109350E	B 01-05-61	109364	C 01-23-61	109385	D 03-29-61	110435
E 05-09-61	110444	F 05-23-61	110447	G 12-14-62	110749D		

761271