

0724252

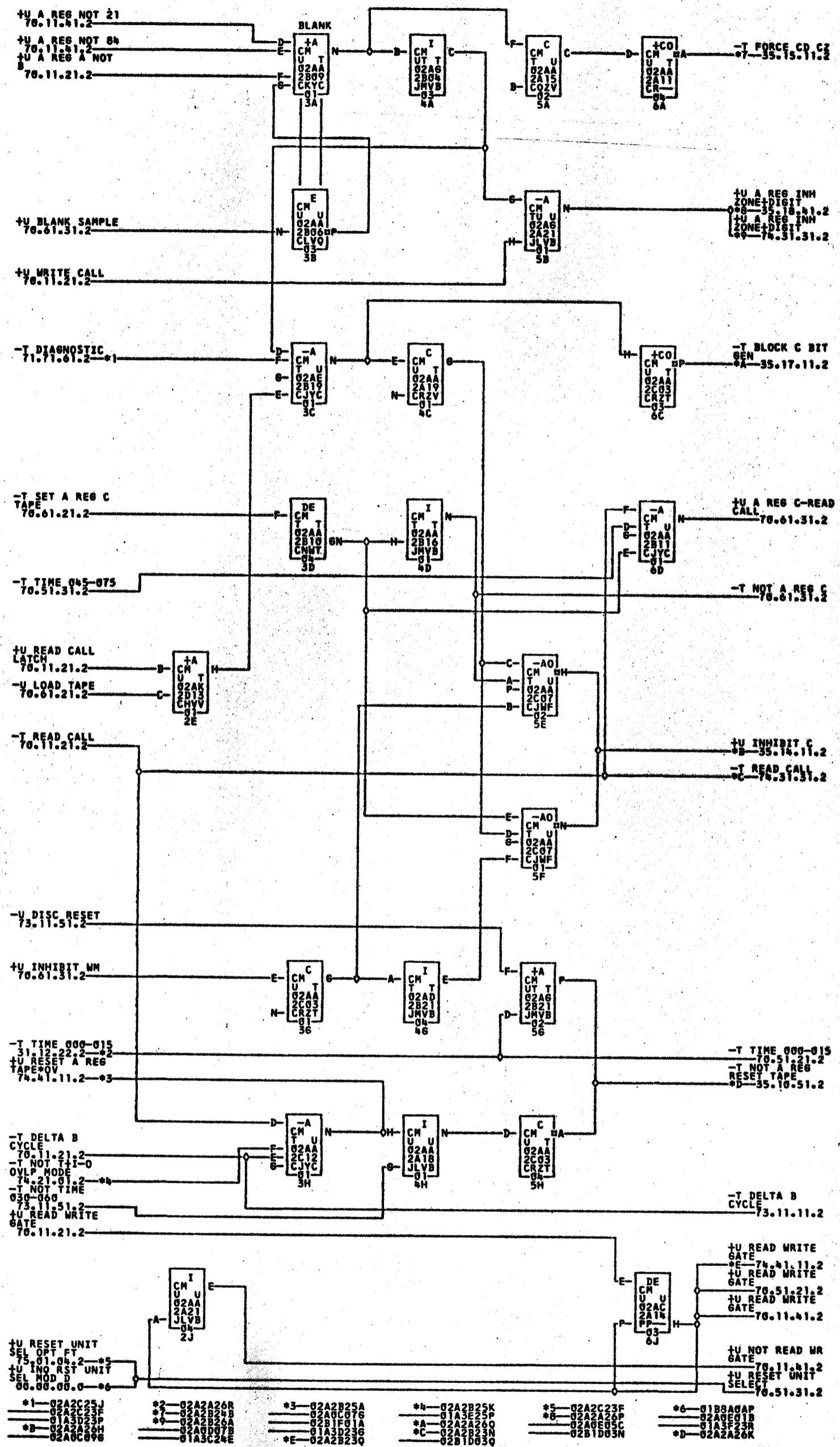
READ GATING

1401 IO

70.01.01.2

TAG DATE

M 28.8.63  
TA 1917A  
N 29.10.63  
TA 1990A



- \*1-02A2C25J
- \*2-02A2A26R
- \*3-02A2B25A
- \*4-02A2B25K
- \*5-02A2C23F
- \*6-01B8A0AP
- \*7-02A2B24B
- \*8-02A2B26A
- \*9-02A2B26A
- \*A-02A2A26O
- \*B-02A2B23N
- \*C-02A2B23N
- \*D-02A2A26K
- \*E-02A2B23Q
- \*F-02A2B23Q
- \*G-02A2B23Q
- \*H-02A2B23Q
- \*I-02A2B23Q
- \*J-02A2B23Q
- \*K-02A2B23Q
- \*L-02A2B23Q
- \*M-02A2B23Q
- \*N-02A2B23Q

COMMENTS

TAG DATE	E.C.NO.	TAG DATE	E.C.NO.	TAG DATE	E.C.NO.	TAG DATE	E.C.NO.
A 06-12-61	110320V	B 07-10-61	110324K	C 08-11-61	110325M	D 09-11-61	110326N
E 10-05-61	112232Z	F 11-09-61	112251K	G 12-06-61	113422M	H 12-10-61	113533N
J 05-10-62	115302Z	K 08-21-62	116239	L 12-10-62	116760B	M 04-19-63	117486
N 08-06-63	118306						

724252