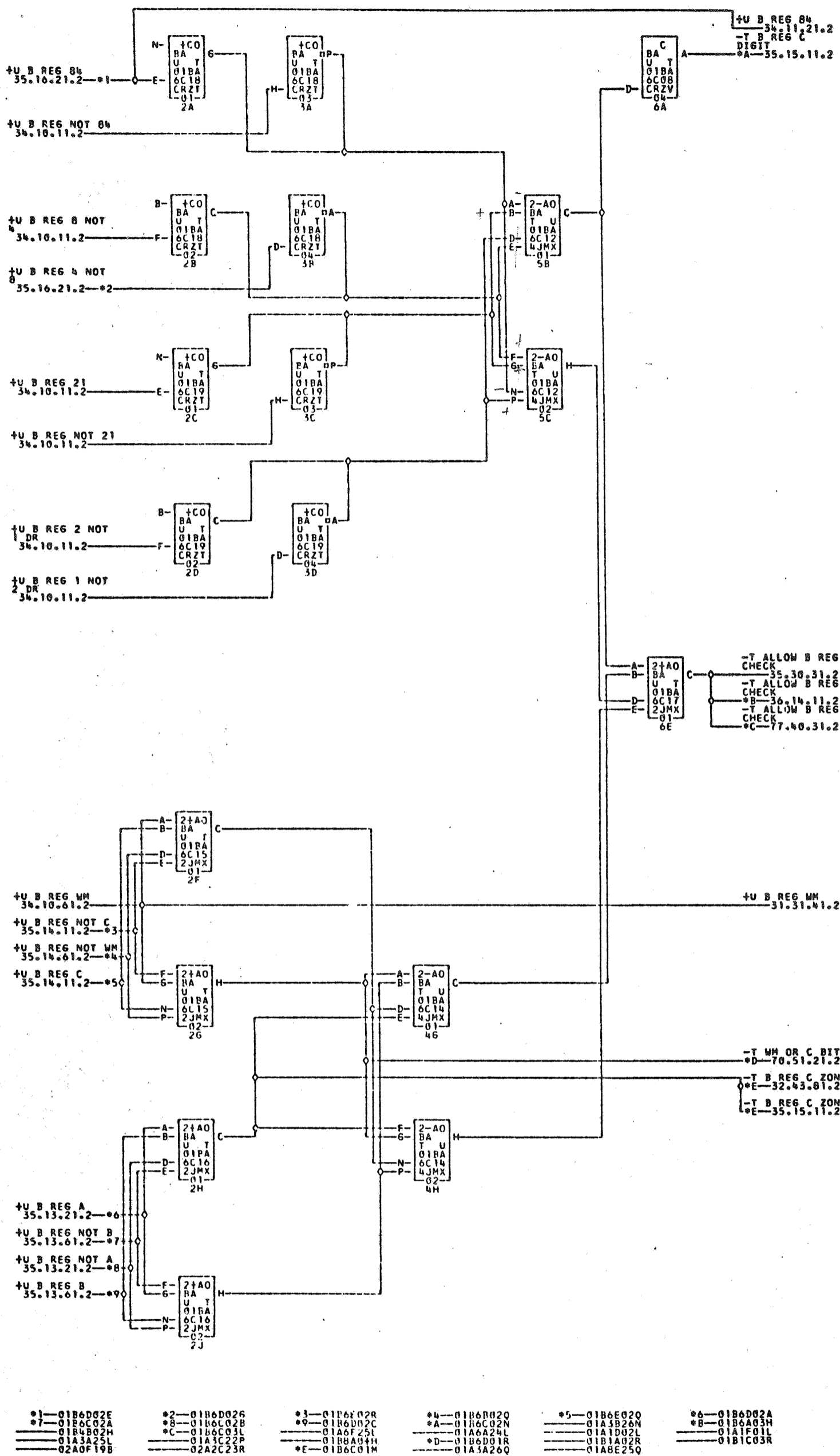


B 2.7.62
TA 1370F
C 5.3.63
TA 1771A



- *1-01B6D02E
- *2-01B6D026
- *3-01B6E02R
- *4-01B6R020
- *5-01B6E020
- *6-01B6D02A
- *7-01B6C02A
- *8-01B6C02B
- *9-01B6D02C
- *A-01B6C02N
- *B-01B6A03H
- *C-01B6C03L
- *D-01A6F25L
- *E-01B6C01M
- *F-01A6A24L
- *G-01A1D02L
- *H-01B6D01R
- *I-01A3A26Q
- *J-01A1A02R
- *K-01A8E25Q
- *L-01B1C03R

COMMENTS

TAG DATE	E.C.NO.	TAG DATE	E.C.NO.	TAG DATE	E.C.NO.	TAG DATE	E.C.NO.
A 12-18-61	113530	B 05-01-62	114138	C 12-11-62	114178		

729190