

0729065

PROGRAM SKIP LATCH

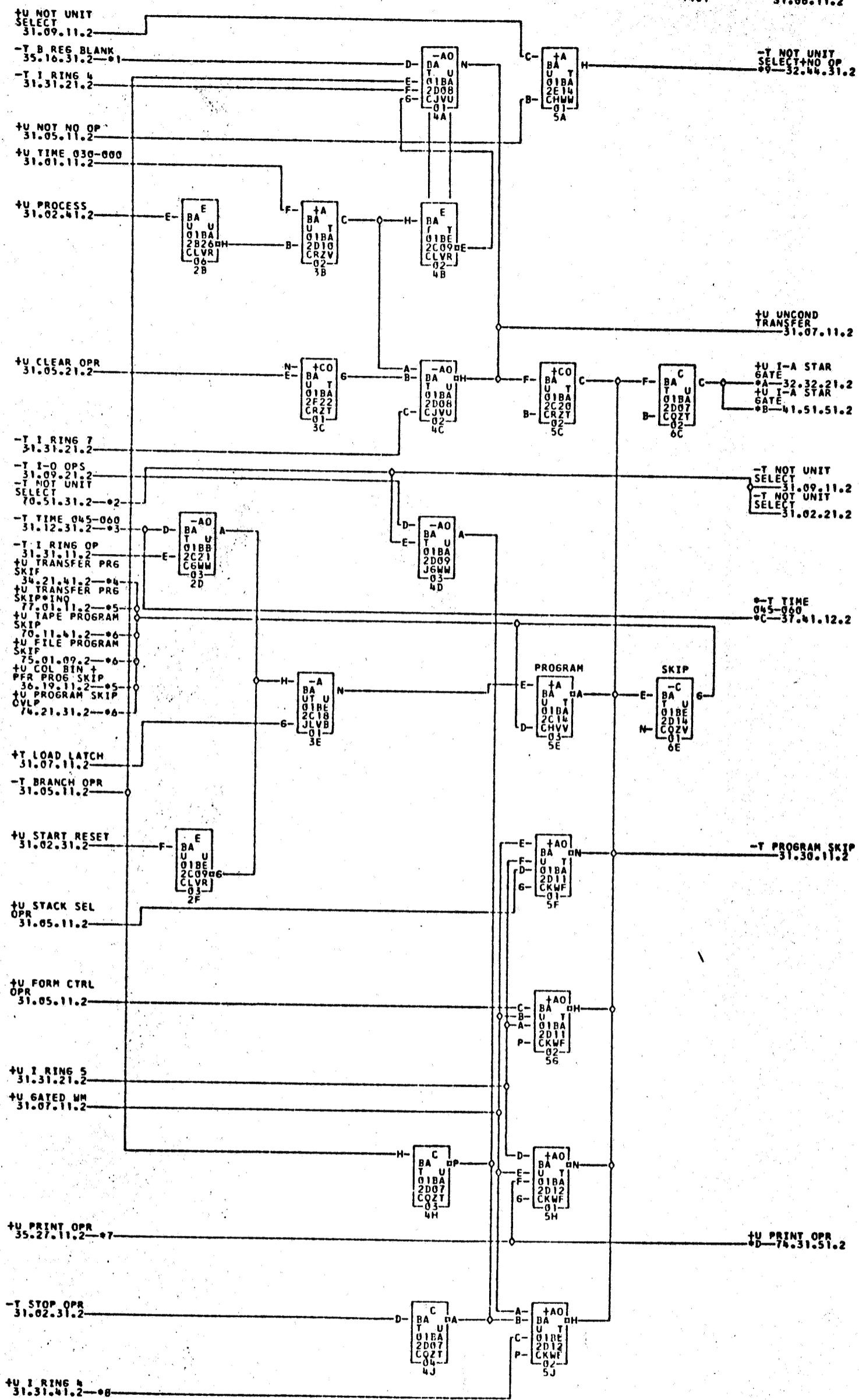
1401

31.08.11.2

TAG DATE

D 7.2.63  
TA 1713A

E 5.3.63  
TA 1771A



- |             |             |             |             |             |             |
|-------------|-------------|-------------|-------------|-------------|-------------|
| *1-01B2E07H | *2-01B2C01K | *3-01B2F010 | *4-01B2E01M | *5-01B2B04A | *6-01B2C01P |
| 02A0E01F    | 02A2A24P    | 0246F24J    | *7-01B2C02P | *8-01B2C05J | *9-01B2D01P |
| 01A8D26P    | *A-01B2D02A | 01A7F25A    | *B-01B2A02D | 02A0D01E    | 02B6A02D    |
| *C-01B2F010 | 01B8RC07    | *D-01B2A05F | 02A0A03C    | 02B1E01F    |             |

NOTE: WHEN A SIGNAL IS PRECEDED BY AN ASTERISK, ITS EXPANSION INDICATES CABLE WIRING FOR REMOTE RECYCLE CONTROL INSTALLATION.

COMMENTS	TAG DATE	E.C.NO.	TAG DATE	E.C.NO.	TAG DATE	E.C.NO.	TAG DATE	E.C.NO.
	A 12-15-61	113530	B 03-05-62	114127	C 05-03-62	114141	D 10-23-62	114164
	E 12-10-62	114178						

729065