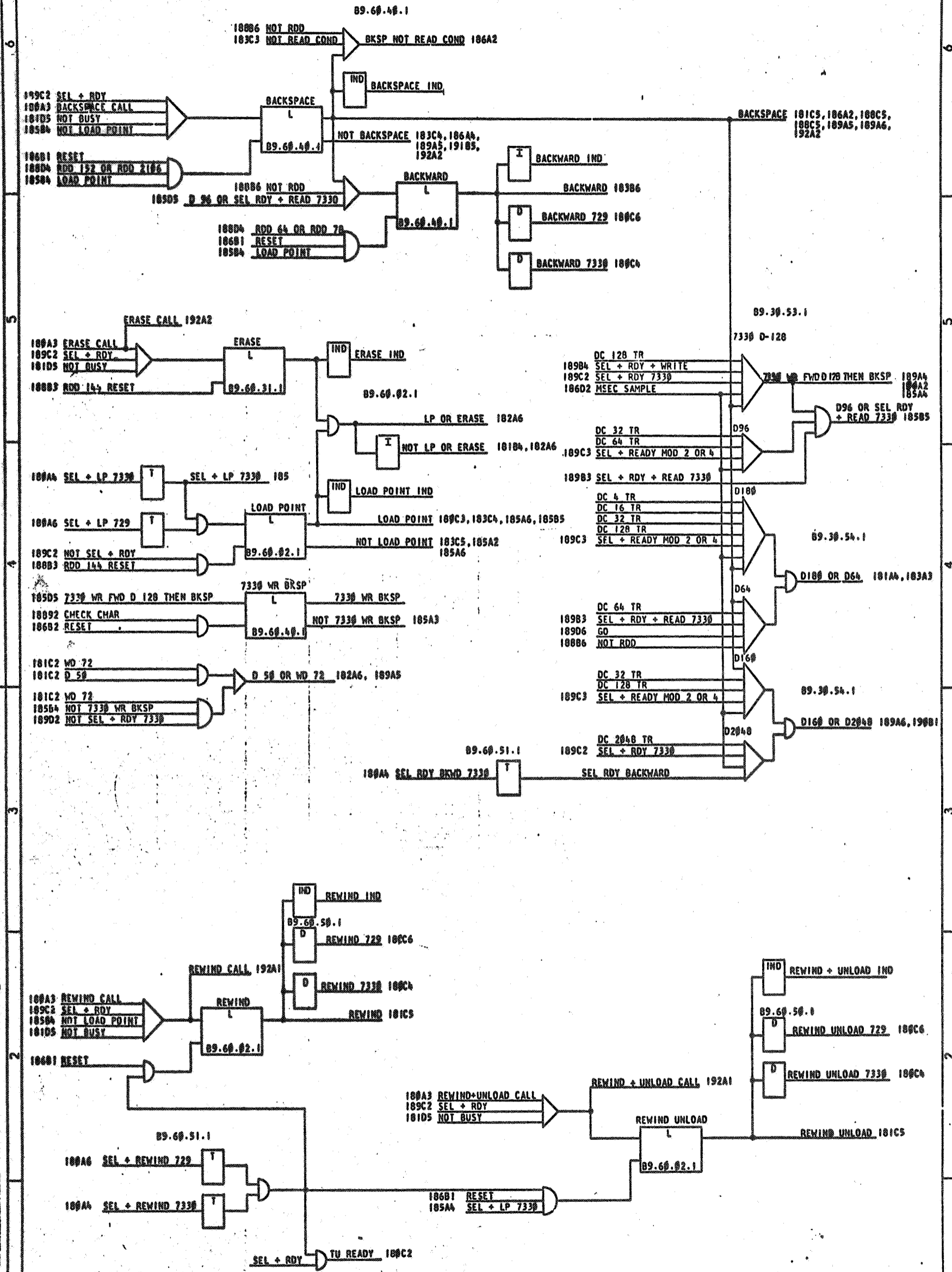


723755

FIG. 185



INTERNATIONAL BUSINESS MACHINES CORP					
DATE	CHANGE NO.	DATE	CHANGE NO.	FIG. 185	BACKSPACE ERASE
9-7-61	112216 B	17.10.61	TA 37927 B		REWIND AND REWIND UNLOAD
7-6-65	124688	18.OKT 65			
			TA 32501 F	DESIGN	TYPE
				DETAIL	SCALE
				CHECK	DRAW VE 6-14-61
				APPRO	CHECK

723755