

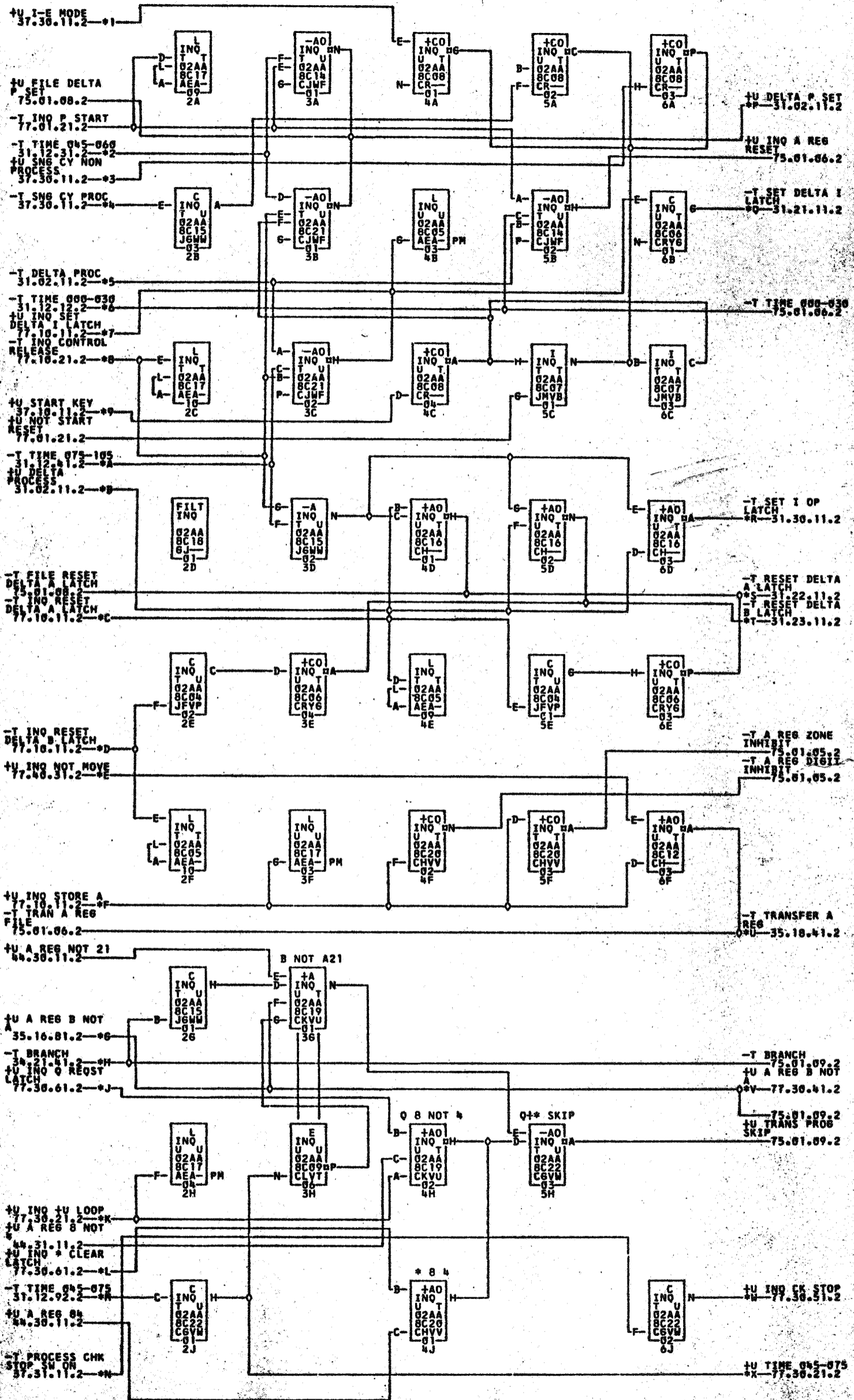
0731924

INQUIRY ATTACHMENT-CONTROL CKTS

14011NO

77.01.11.2

TAG DATE



*1-02ABC240	*2-02ABC23E	*3-02ABC24P	*4-02ABC24N	*5-02ABC23L	*6-02ABC23D
*7-02ABC24M	*8-01B8A0BM	*9-02ABC26K	*0-02ABC24R	*A-02ABC23F	*B-02ABC23H
*C-02ABC24G	*D-01B8A0CE	*E-02ABC25E	*F-01B8A0AU	*G-02ABC26N	*H-01B8A0AY
*I-02ABC24H	*J-01B8A0AJ	*K-02ABC26J	*L-02ABC23K	*M-02ABC26R	*N-01B8A0OL
*O-02ABC24A	*P-01B8A0AE	*Q-02ABC260	*R-01B8A0OV	*S-02ABC23L	*T-02ABC26P
*U-02ABC24B	*V-02A0D196	*W-01B2C03N	*X-02ABC25F	*Y-01B2F05A	*Z-02ABC26L
*AA-01B2F03B	*AB-02A0C13E	*AC-01A3E23L	*AD-01B2A02A	*AE-02ABC25B	*AF-01B2F05L
*AG-02ABC24C	*AH-01B8A00R		*AV-02ABC25D	*AW-01B8A0AK	*AX-02ABC25C

COMMENTS

TAG DATE	E.C.NO.	TAG DATE	E.C.NO.	TAG DATE	E.C.NO.	TAG DATE	E.C.NO.
A 11-17-62	116245A	B 03-01-63	117141				

731924