

722655
REFERENCE DRAWING

5 X 10 MATRIX SWITCH

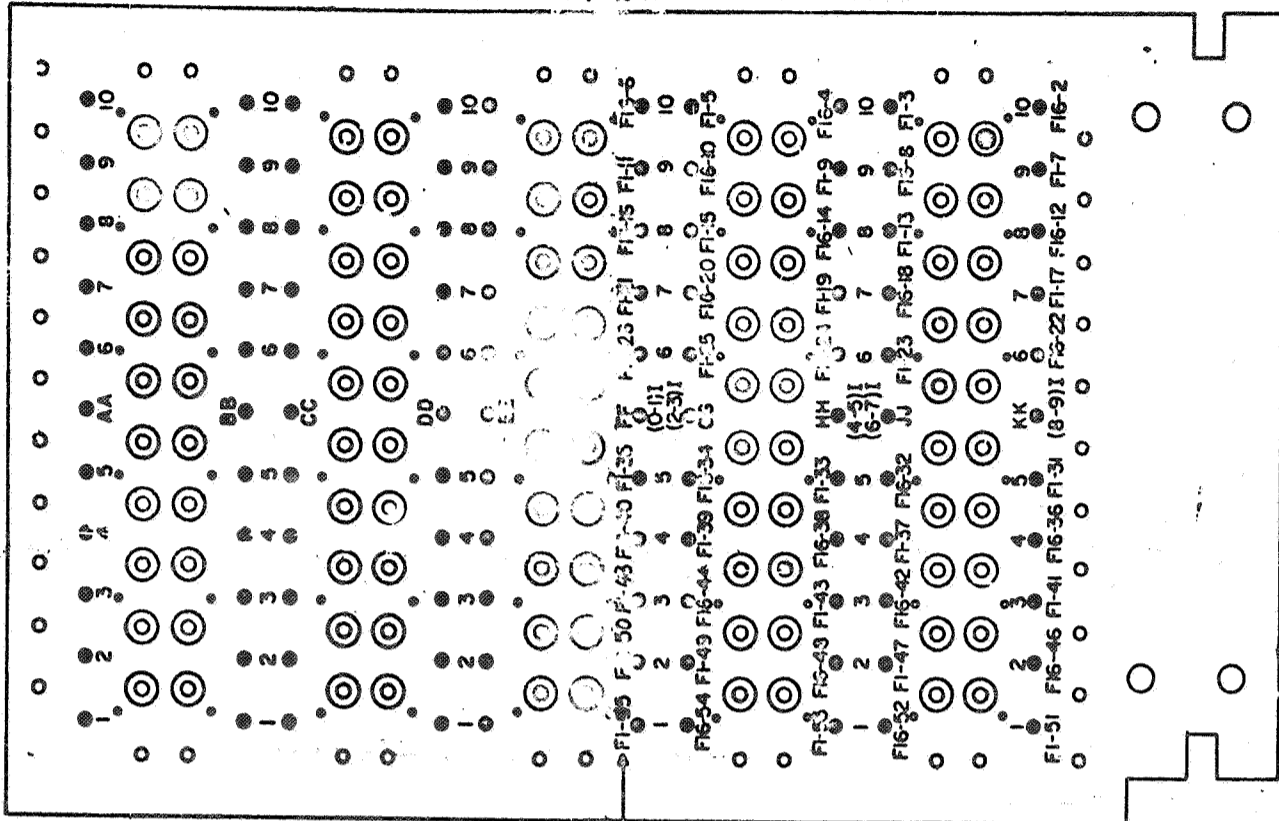
OIAI

42.40.21.2

TAG DATE
B 12.6.61
TA 37663A

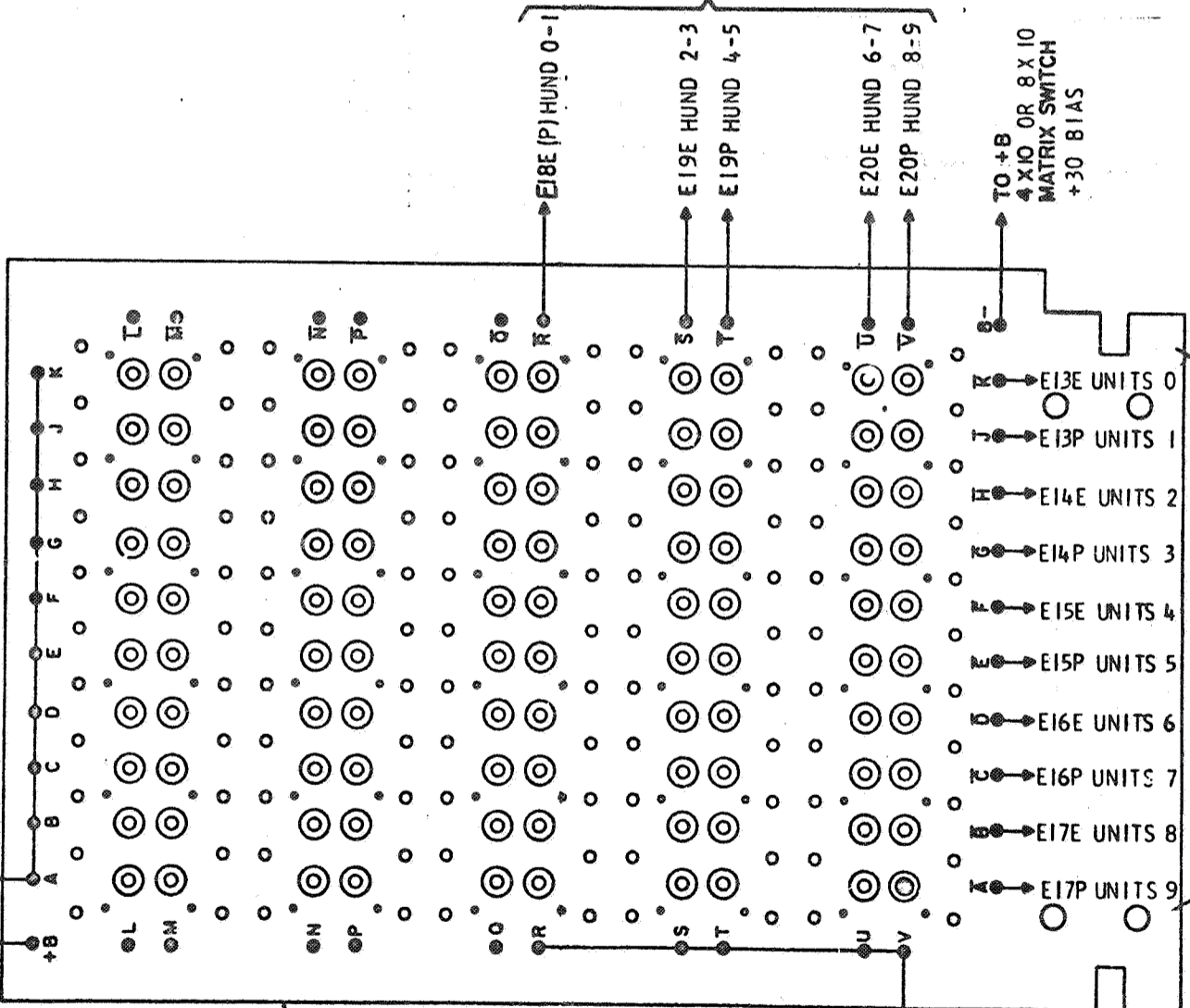
C 5.2.62
TA 1129

ALL WIRES GO TO SIDE C OF FRAME I AND IS
(0-1) = ZERO AND ONE HUNDREDS TERMINAL ON RESISTOR BOARD



BACK

FRAME I PIN 55
HUNDREDS DECODES
42.55.11.2



FRONT

HUNDREDS DRIVE
42.57.11.2

UNITS DRIVE
42.57.11.2

UNITS DECODE
42.53.11.2

TO +B
4 X 10 OR 8 X 10
MATRIX SWITCH
+30 BIAS

FBC
E4N
+30 BIAS

F7C

DATE	EC NO	DATE	EC NO	DATE	EC NO
A 11-23-60	110104				
B 3-30-61	11012F				
C	110172				

722655
1129