

0729191

A AND B REGISTER CHECK LATCHES

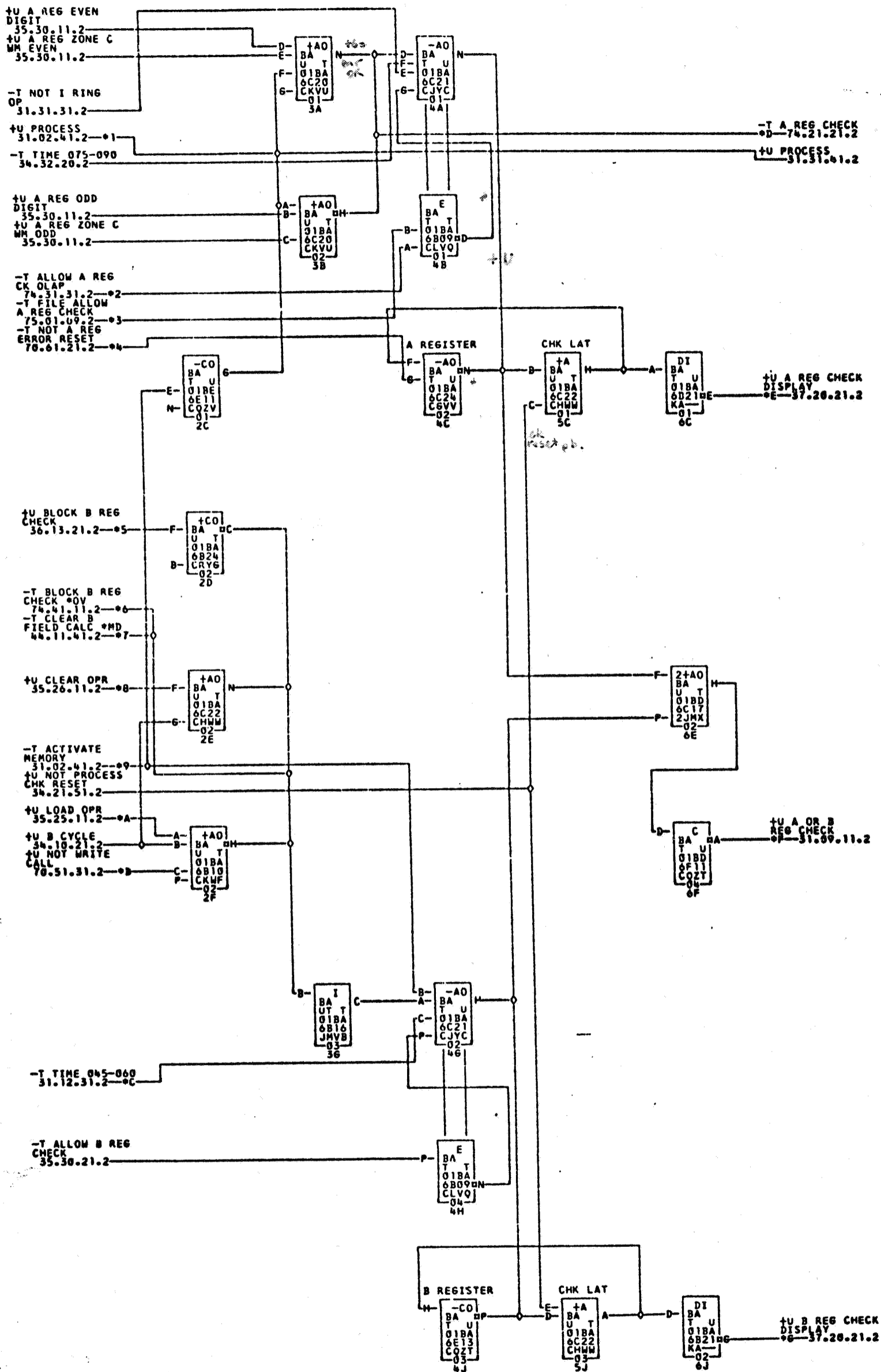
1401 BA

35.30.31.2

TAG DATE

E 5.3.63
TA 1771A

F 16.4.63
TA 1815 A



- *1-01B6E01E *2-01B6F02H *3-01B6C01A *4-01B6E010 *5-01B6A03F *6-01B6F02F
- *7-01B6F010 *8-01B6C01R *9-01B6E01D *A-01B6C01G *B-01B6D010 *C-01B6C01F
- *D-01B6F02E *E-01B6A02L *F-01B6B010

COMMENTS

TAG DATE	E.C.NO.	TAG DATE	E.C.NO.	TAG DATE	E.C.NO.	TAG DATE	E.C.NO.
A 12-18-61	113530	B 01-23-62	113630	C 05-01-62	114138	D 11-19-62	114166
E 12-11-62	114178	F 01-30-63	114182				

729191