

0728734

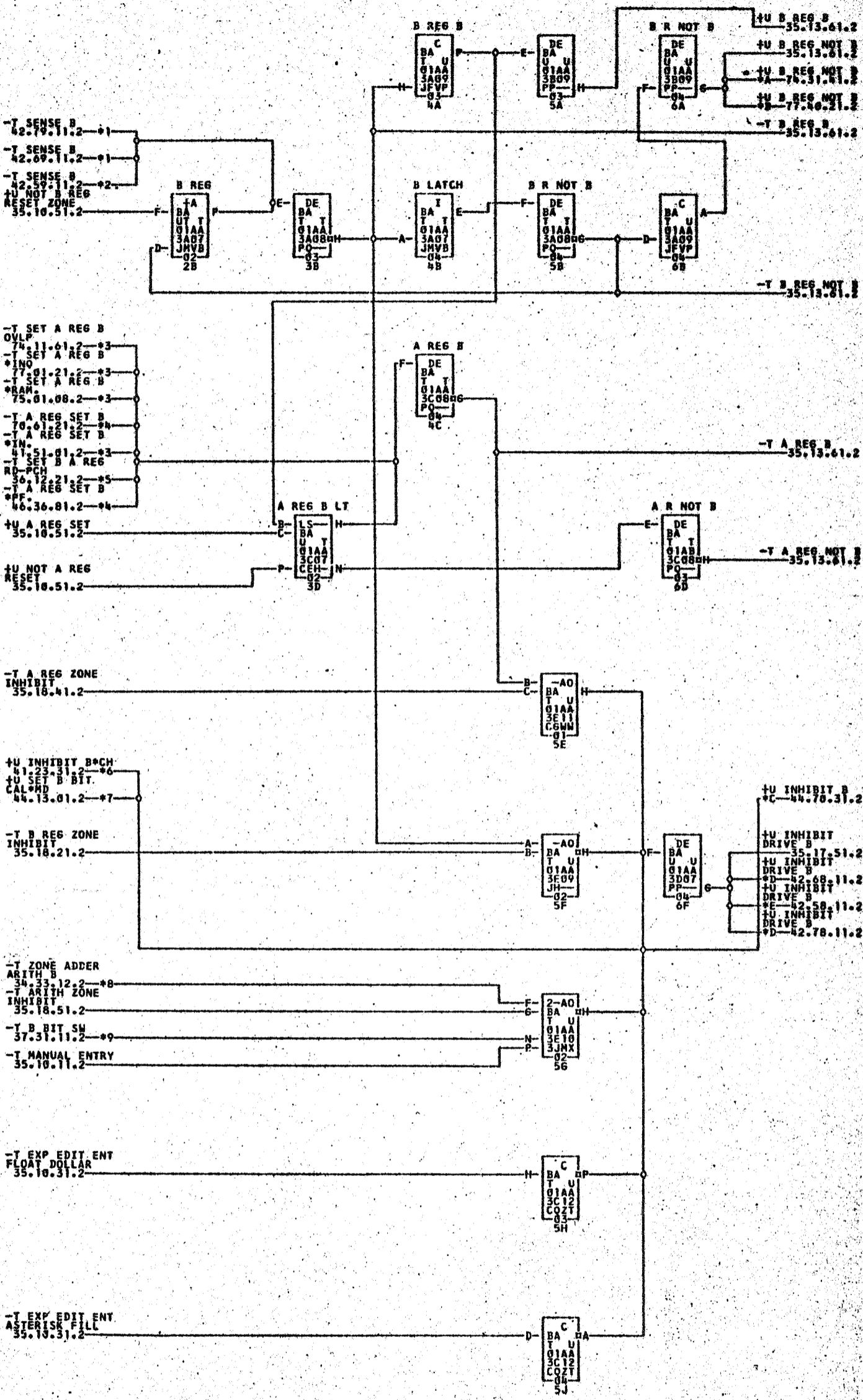
INHIBIT B

1401 BA 35.13.31.2

TAG DATE

A 5.4.68  
TA 1233B

B 5.3.63  
TA 1771A



- \*1-01A3F26F      \*6-06B7A19F      \*2-01A3A24F      \*3-01A3E23F      \*4-01A3E24F      \*5-01A3D25G
- \*6-01A3D29A      \*7-01A3E23F      \*8-01A3C25F      \*9-01A3E26F      \*A-01A3A22D      \*2A-01A3E23G
- \*B-01A3E23F      \*C-01A3D23A      \*D-01A3F25C      \*E-01A3A25C      \*F-01A1F01C      \*G-02A0C15B
- \*H-06B7A06C      \*I-06B7A06C

COMMENTS

TAG DATE	E.C.NO.	TAG DATE	E.C.NO.	TAG DATE	E.C.NO.	TAG DATE	E.C.NO.
A 12-15-61	113530	B 12-10-62	116177				

1771 A  
728734