

0729074

A CYCLE LATCH

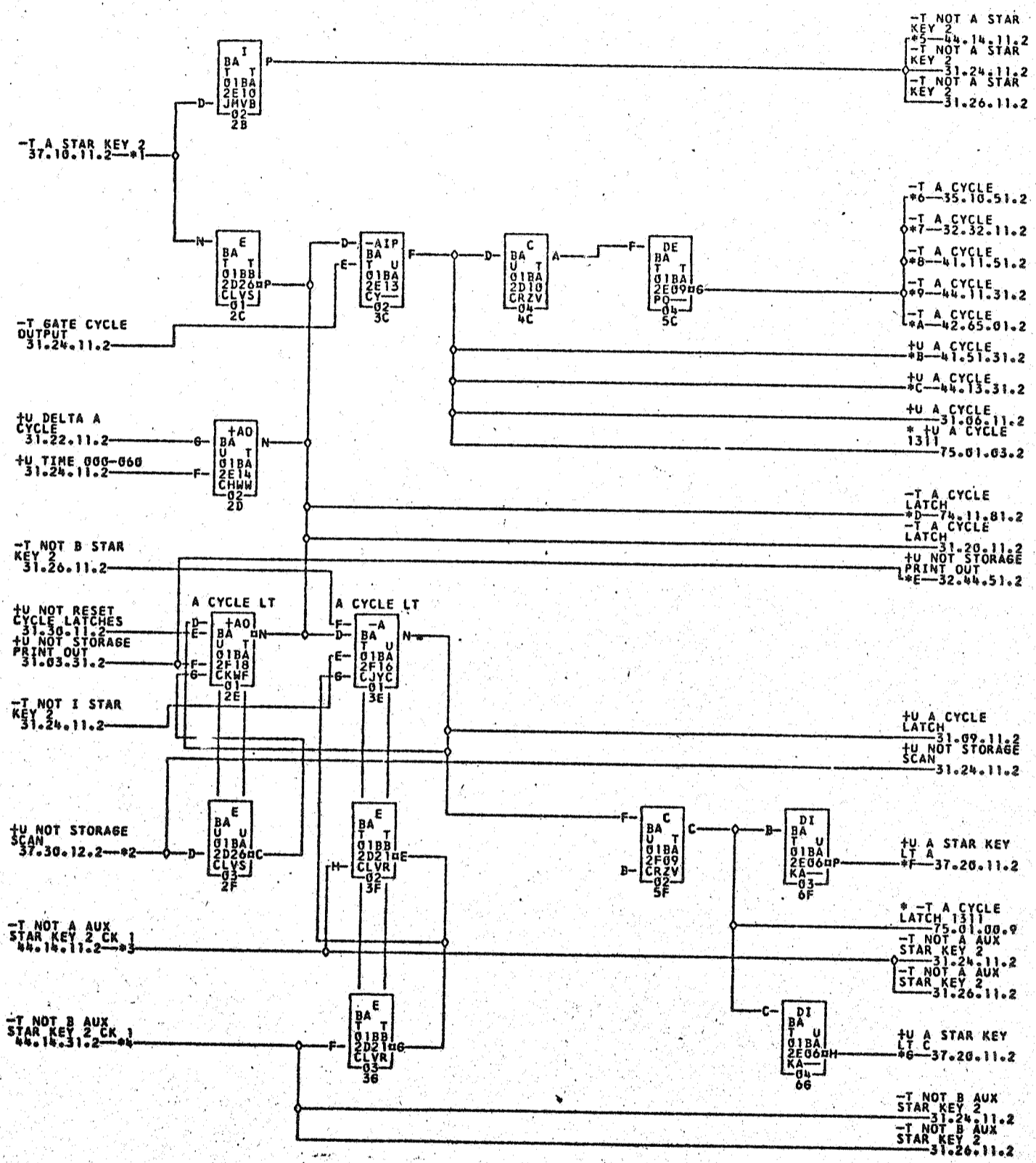
1401

31.25.11.2

TAG DATE

B 5.3.63
TA 1771A

C 28.8.63
TA 1917A



- | | | | | | |
|-------------|-------------|-------------|-------------|-------------|-------------|
| *1-01B2F03H | *2-01B2F03J | *3-01B2B030 | *4-01B2B03R | *5-01B2A03J | *6-02A9F05L |
| 02B7E01J | *6-01B2D03C | 01A3D24C | 01B2F02G | 01A7D26G | *8-01B2C03H |
| 02A0D096 | 02B8E03N | *9-01B2B03N | 02A9F13D | 02B7B01N | *A-01B2E05E |
| 06B7A12E | *B-01B2A01K | 02A0D13D | 02B6A01K | *C-01B2A036 | 02A9F01C |
| 02B7E016 | *D-01B2A05L | 02A0A13C | 02B1E01L | *E-01B2D01E | 01A8D26E |
| *F-01B2F04Q | *G-01A2A15Q | *8-01B2F04R | 01A2A13R | | |

NOTE A CYCLE LATCH SIGNAL TO 31.20.11.2 TAG DATE E.C.NO. TAG DATE E.C.NO. TAG DATE E.C.NO. TAG DATE E.C.NO.
 IS REMOVED WITH 1311 ATTACHED A 12-15-61 113530 B 12-16-62 114178 C 05-28-63 114194
 *INDICATES DIRECT CABLE CONNECTION.

729074
1917A