

0729062

I-E CHANGE SECTION 3

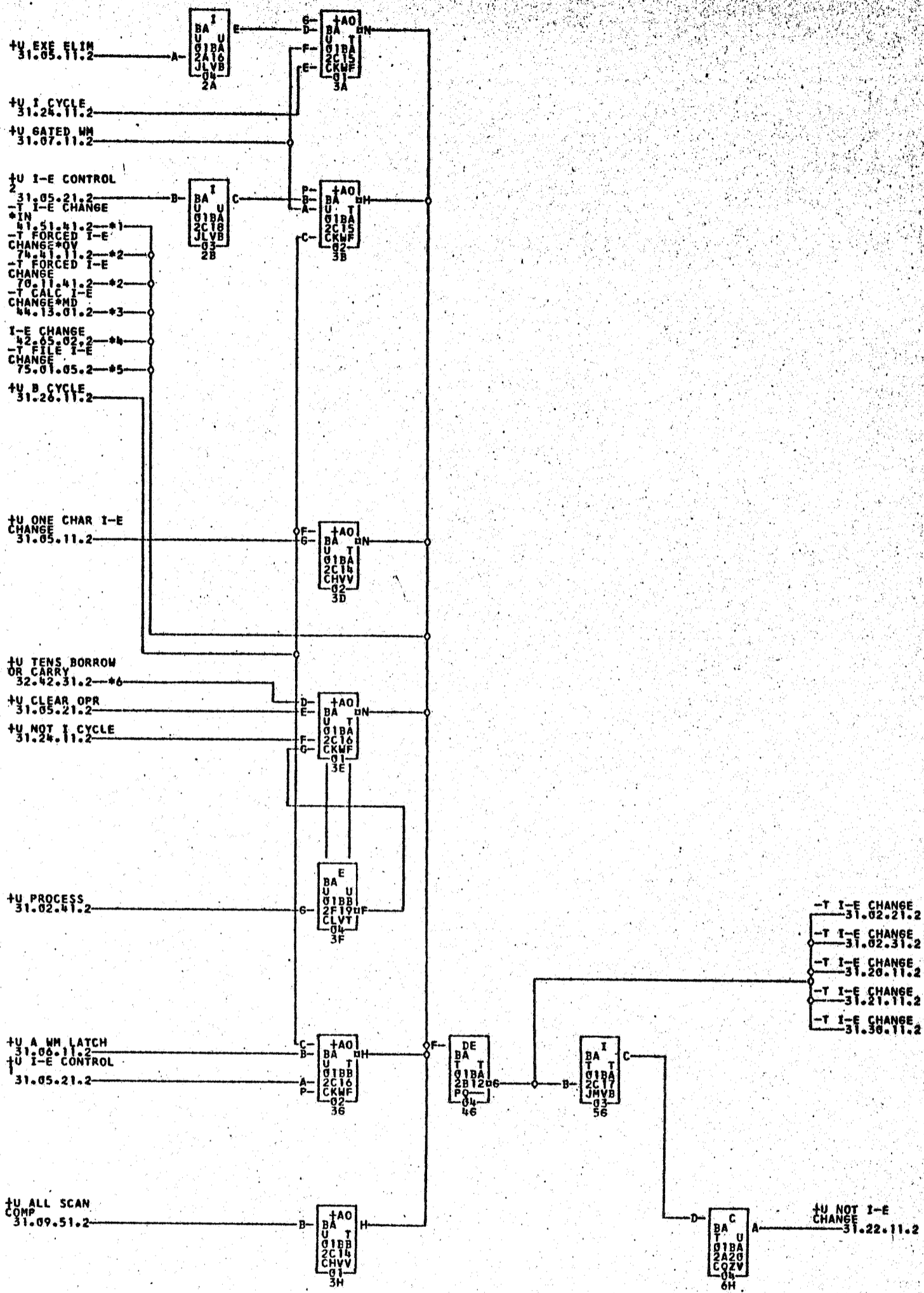
1401

31.05.31.2

TAG DATE

A 5.4.62
TA 1233B

B 5.3.63
TA 1771A



- *1-01B2A01M 06B7A126
- *2-01B2C01D 02A8F24F
- *3-01B2A03C 01B2D01K
- *4-01B2E056
- *5-02A0D17D 01B2A01M
- *6-02B6A01M 02A0D17D

| COMMENTS | TAG DATE | E.C.NO. | TAG DATE | E.C.NO. | TAG DATE | E.C.NO. | TAG DATE | E.C.NO. |
|----------|----------|----------|----------|---------|----------|---------|----------|---------|
| | A | 12-15-61 | 113530 | B | 12-10-62 | 114178 | | |

729062
1771A