

6728980

ADDRESS STOP INPUT SWITCHING SECT. 1

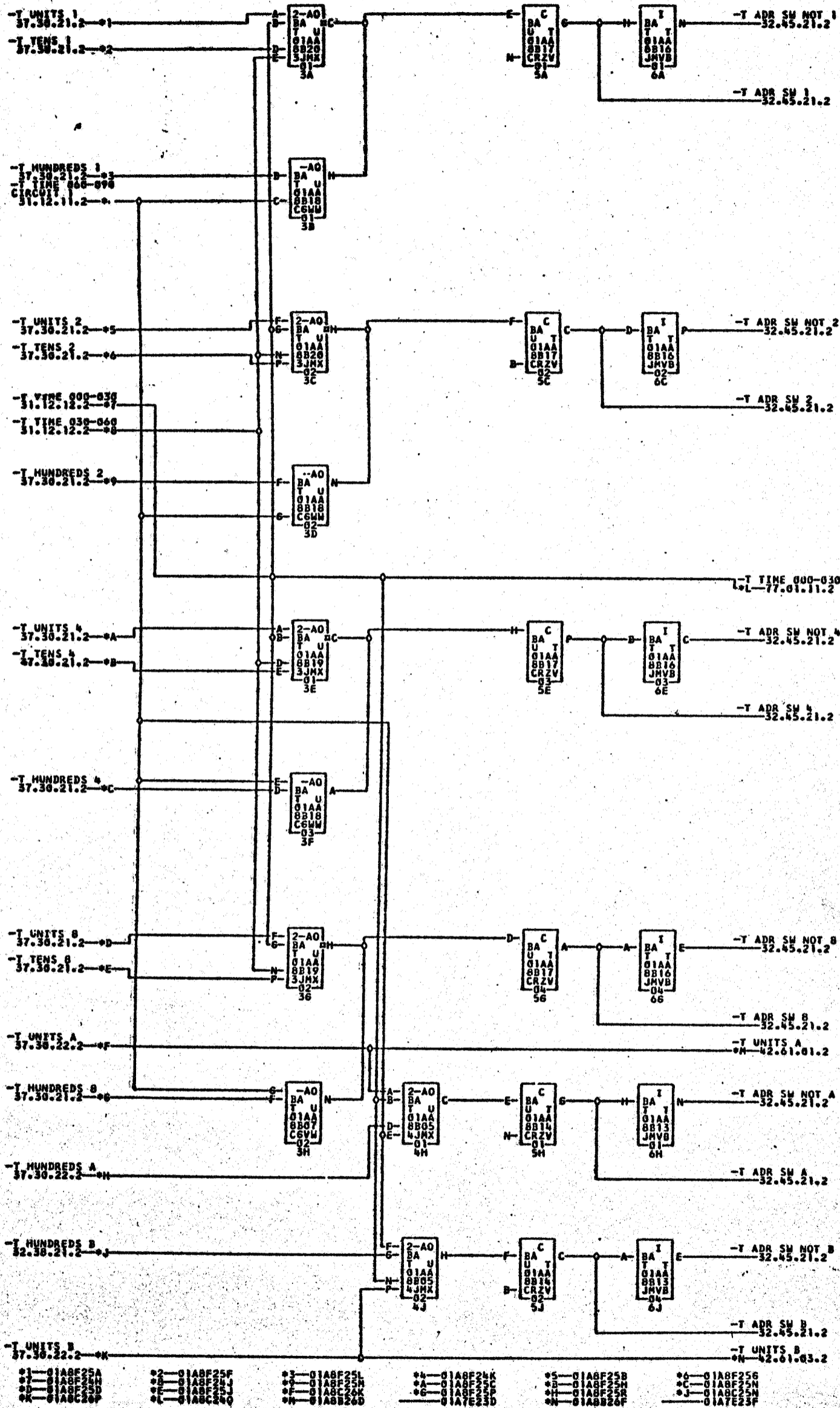
1401 BA

32.45.11.2

TAG DATE

A 5.4.62  
TA 1233B

B 25.3.63  
TA 1795



728950  
1795

COMMENTS

TAG DATE A 12-10-61	E.C. NO. F13538	TAG DATE B 12-14-62	E.C. NO. F16177C	TAG DATE	E.C. NO.	TAG DATE	E.C. NO.
------------------------	--------------------	------------------------	---------------------	----------	----------	----------	----------