

723456

REFERENCE PAGE
INPUTS FROM TAPE UNIT (729)

89.02.20.0

	729 A2 AND A4	729 II AND IX	TAU LOGIC	TAPE CONNECTOR	
A	TU.08.10.1	01.02.2	89.60.51.1	+P HIGH DENSITY 729	47
	TU.08.10.1	01.01.1	89.60.01.1	+P SEL & READY MOD 2 729	31
	TU.08.10.1	01.01.1	89.60.01.1	+P SEL & READY MOD 4 729	21
	TU.08.10.1	01.06.1	89.60.02.1	+P SEL & LP 729	27
	TU.08.10.1	01.02.1	89.60.10.1	+P SEL +RDY MR 729	35
	TU.08.10.1	01.02.1	89.60.10.1	+P SEL RDY +RD 729	33
B	TU.08.10.1	01.06.1	89.60.51.1	+P SEL + NOT LP 729	29
	TU.08.10.1	01.09.1	89.60.51.1	-H SEL +REWIND 729	37
	TU.08.10.1	01.05.1	89.60.51.1	-H SEL +TI ON 729	23
	TU.08.10.1	01.05.1	89.60.51.1	-H SEL +TI OFF 729	25
	TU.07.08.0	01.03.1	89.40.10.1	SNPP READ BUS 1 BIT 729	82
	TU.07.08.0	01.03.1	89.40.10.1	SNPP READ BUS 2 BIT 729	84
	TU.07.08.0	01.03.1	89.40.10.1	SNPP READ BUS 4 BIT 729	83
C	TU.07.08.0	01.03.1	89.40.10.1	SNPP READ BUS 8 BIT 729	85
	TU.07.08.0	01.03.1	89.40.10.1	SNPP READ BUS A BIT 729	802
	TU.07.08.0	01.03.1	89.40.10.1	SNPP READ BUS 9 BIT 729	804
	TU.07.08.0	01.03.1	89.40.10.1	SNPP READ BUS C BIT 729	113
	TU.08.10.1	01.04.1	89.50.50.1	-H WRITE ECHO 729	102
	TU.08.10.1	01.01.1	89.60.01.1	+P MOD 5 OR 6	115

NOTE. INPUTS ALSO APPLY FOR MOD II AND III TAPE UNITS

DATE 17.4.62
TA 1282

DATE 7.2.63
TA 1715A

DATE 4-5-61 EC NO 110432F

DATE 1-25-62 EC NO 113035

DATE 11-2-62

EC NO 116726

723456

723457

REFERENCE PAGE
INPUTS FROM TAPE DRIVE (7330)

B9-02-21-0

	7330 LOGIC	TAU LOGIC		TAPE CONNECTOR	
A	73.00.30.0	89.40.10.1	BVVP READ BUS 1 BIT 7330	82	A
	73.00.30.0	89.40.10.1	BVVP READ BUS 2 BIT 7330	84	
	73.00.30.0	89.40.10.1	BVVP READ BUS 4 BIT 7330	93	
	73.00.30.0	89.40.10.1	BVVP READ BUS 8 BIT 7330	95	
	73.00.30.0	89.40.10.1	BVVP READ BUS A BIT 7330	102	
	73.00.30.0	89.40.10.1	BVVP READ BUS B BIT 7330	104	
B	73.00.30.0	89.40.10.1	BVVP READ BUS C BIT 7330	113	B
	73.00.30.0	89.60.50.1	-M ECHO PULSE 7330	192	
	73.00.30.0	89.60.01.1	-M SEL +RDY HI 7330	21	
	73.00.30.0	89.60.01.1	-M SEL +RDY LO 7330	31	
	73.00.30.0	89.60.51.1	-M SEL +TI ON 7330	23	
	73.00.30.0	89.60.02.1	-M SEL +LP 7330	27	
C	73.00.30.0	89.60.51.1	-M SEL RDY BKWD 7330	29	C
	73.00.30.0	89.60.10.1	-M SEL +RDY RD 7330	33	
	73.00.30.0	89.60.10.1	-M SEL +RDY WR 7330	35	
	73.00.30.0	89.60.51.1	-M SEL +REWIND 7330	37	
D					D
E					E
F					F
G					G
H					H
I					I

DATE 12.8.61
TA 11063A

DATE 17.4.62
TA 1282

DATE 7.5.61
EG NO 110432 F

DATE 1.26.62
EG NO 113835

DATE EG NO

723457
11207
11207

723458

REFERENCE PAGE
OUTPUTS TO TAPE UNIT (729)

B9.02.25.0

TAG DATE

B17.4.62
TA 1282

C 12.11.63
TA 604A

A

TAU LOGIC

729 II AND IV

TAPE CONNECTOR

729 A2 AND A4

89.60.11.1	+P GO 729	01.07.1	5	TU.08.00.1
89.60.20.1	+P SET READ STATUS 729	01.02.1	12	TU.08.00.1
89.60.30.1	-N SET WR STATUS 729	01.02.1	11	TU.08.00.1
89.60.40.1	-N BACKWARD 729	01.07.1	7	TU.08.00.1
89.60.50.1	-N REWIND 729	01.09.1	9	TU.08.00.1
89.60.50.1	+P REWIND UNLOAD 729	01.09.1	39	TU.08.00.1
89.60.50.1	+P TURN OFF T1 729	01.05.1	3	TU.08.00.1
89.60.50.1	-N TURN ON T1 729	01.05.1	1	TU.08.00.1
89.60.50.1	-N WRITE PULSE 729	01.04.1	196	TU.08.00.1
89.60.31.1	-N WRITE CK CH 729	01.04.1	194	TU.08.00.1
89.40.50.1	-N WRITE BUS 1 BIT 729	01.03.1	172	TU.08.00.1
89.40.50.1	-N WRITE BUS 2 BIT 729	01.03.1	174	TU.08.00.1
89.40.50.1	-N WRITE BUS 4 BIT 729	01.03.1	176	TU.08.00.1
89.40.51.1	-N WRITE BUS 8 BIT 729	01.03.1	178	TU.08.00.1
89.40.51.1	-N WRITE BUS A BIT 729	01.03.1	180	TU.08.00.1
89.40.51.1	-N WRITE BUS B BIT 729	01.03.1	182	TU.08.00.1
89.40.52.1	-N WRITE BUS C BIT 729	01.03.5	184	TU.08.00.1
71.11.11.2	+P SEL TU 1-729	02.02.2	79	TU.08.00.1
71.11.11.2	+P SEL TU 2-729	02.02.2	86	TU.08.00.1
71.11.11.2	+P SEL TU 3-729	02.02.2	88	TU.08.00.1
71.11.31.2	+P SEL TU 4-729	02.02.2	97	TU.08.00.1
71.11.31.2	+P SEL TU 5-729	02.02.2	99	TU.08.00.1
71.11.31.2	+P SEL TU 6-729	02.02.2	106	TU.08.00.1
71.51.21.2	-N PROCESS M	02.02.2	49	TU.08.00.1

B

C

D

E

F

G

H

J

A

B

C

D

E

F

G

H

723458

DATE	EC NO	DATE	EC NO	DATE	EC NO
4-5-61	110432 F	1-26-62	113835	9-17-63	1185758

723459

REFERENCE PAGE
OUTPUTS TO TAPE DRIVE (7330)

89.02.26.0

TAG DATE

B 17.4.62
TA 1282

C 12.11.63
TA 604A

A

TAU LOGIC

7330 LOGIC

TAPE CONNECTOR

A

89.40.50.1	-N WRITE BUS 1 BIT 7330	73.00.20.0	172
89.40.50.1	-N WRITE BUS 2 BIT 7330	73.00.20.0	174
89.40.50.1	-N WRITE BUS 4 BIT 7330	73.00.20.0	176
89.40.51.1	-N WRITE BUS 8 BIT 7330	73.00.20.0	178
89.40.50.1	-N WRITE BUS A BIT 7330	73.00.20.0	180
89.40.50.1	-N WRITE BUS B BIT 7330	73.00.20.0	182
89.40.52.1	-N WRITE BUS C BIT 7330	73.00.20.0	184
89.60.50.1	-N WRITE PULSE 7330	73.00.20.0	196
89.60.20.1	-N SET READ STATUS 7330	73.00.20.0	13
89.60.30.1	-N SET WRITE STATUS 7330	73.00.20.0	11
89.60.40.1	-N BACKWARD 7330	73.00.20.0	7
89.60.11.1	-N GO 7330	73.00.20.0	5
89.60.31.1	-N WR TR REL 7330	73.00.20.0	194
89.60.50.1	-N REWIND 7330	73.00.20.0	9
89.60.50.1	-N REWIND UNLOAD 7330	73.00.20.0	39
89.60.50.1	-N TURN ON TI 7330	73.00.20.0	1
89.60.50.1	-N TURN OFF TI 7330	73.00.20.0	3
71.11.11.2	-N SELECT TU 1	73.00.20.0	79
71.11.11.2	-N SELECT TU 2	73.00.20.0	86
71.11.11.2	-N SELECT TU 3	73.00.20.0	88
71.11.31.2	-N SELECT TU 4	73.00.20.0	97
71.11.31.2	-N SELECT TU 5	73.00.20.0	99
71.11.31.2	-N SELECT TU 6	73.00.20.0	106
71.51.21.2	-N PROCESS M	73.00.20.0	49

B

B

C

C

D

D

E

E

F

F

G

G

H

H

J

723459

DATE	EC NO	DATE	EC NO	DATE	EC NO
4-5-61	110432F	1-26-62	113835	9-17-63	1185758

7234 60

REFERENCE PAGE
OUTPUTS TO TAU

89-02-30-0

	02AI LOGIC	SIGNAL NAME	TAU LOGIC	
A	71.11.11.2	+Y DISC CALL	89.60.31.1	A
	71.11.21.2	-Y REWIND CALL	89.60.02.1	
	71.11.21.2	+Y ERASE CALL	89.60.31.1	
	71.11.21.2	-Y BACKSPACE CALL	89.60.40.1	
	71.11.21.2	+Y REWIND +UNLOAD CALL	89.60.02.1	
	71.31.11.2	+Y MAN WR DISC	89.60.31.1	
	71.31.11.2	+Y MAN WR DISC	89.30.11.1	
B	71.51.21.2	+Y C BIT WRITE DATA LINE	89.40.52.1	B
	71.51.21.2	+Y A BIT WRITE DATA LINE	89.40.51.1	
	71.51.21.2	+Y B BIT WRITE DATA LINE	89.40.51.1	
	71.51.21.2	+Y D BIT WRITE DATA LINE	89.40.51.1	
	71.51.21.2	+Y 4 BIT WRITE DATA LINE	89.40.50.1	
	71.51.21.2	+Y 2 BIT WRITE DATA LINE	89.40.50.1	
	71.51.21.2	+Y 1 BIT WRITE DATA LINE	89.40.50.1	
C	71.51.21.2	+Y TURN OFF TI	89.60.50.1	C
	71.61.11.2	-Y READ CALL	89.60.20.1	
	71.71.21.2	-S TAU RESET	89.30.31.1	
	71.71.41.2	-Y EARLY SAMPLE	89.50.51.1	
	71.71.41.2	-Y EARLY SAMPLE	89.10.31.1	
	71.71.41.2	+Y MANUAL STOP ON ERROR	89.50.30.1	
	71.71.41.2	+Y MANUAL STOP ON ERROR	89.50.52.1	
D	71.71.41.2	-Y AMPLIFIER BIAS	89.40.10.1	D
	71.71.41.2	+Y COMP CK CE	89.50.30.1	
	71.71.41.2	+Y BACKWARD	89.60.40.1	
	71.71.41.2	+Y REG A ONLY	89.50.10.1	
	71.71.41.2	+Y REG B ONLY	89.50.10.1	
	71.71.41.2	+Y TURN ON RS	89.60.11.1	
E	71.71.61.2	+Y MANUAL OP	89.30.11.1	E
	71.71.61.2	-Y WR TH CALL	89.60.31.1	
	71.71.61.2	+Y MR CALL	89.60.30.1	
	71.71.61.2	+Y ODD REDUNDANCY CALL	89.40.61.1	
	71.61.21.2	+Y DENSITY SW 200 + 800	89.20.11.1	
	71.61.21.2	+Y DENSITY SW 556 + 800	89.20.11.1	
	71.61.21.2	+Y DENSITY SW 200 + 556	89.20.11.1	
F	71.31.11.2	+Y SET TAU ERROR LATCH	89.50.42.1	F

NOTE: A -Y LINE IS A +Y LINE IN TAU.
A +U LINE IS A -Y LINE IN TAU.

DATE 3-7-62
TA 1370B

DATE 7-2-63
TA 1716A

DATE 4-3-61
11-2-62

EC NO 110432 F
11576

DATE 7-2-63

EC NO 112875

DATE 4-10-62

EC NO 114613

1715 A
7234 60

723461

REFERENCE PAGE
INPUTS FROM TAU

89.02.35.0

A
B
C
D
E

TAU LOGIC	SIGNAL NAME	Q2A1 LOGIC
89.30.52.1	+Y WD 52	71.31.11.2
89.30.52.1	+Y WD 80	71.31.11.2
89.30.55.1	+Y WD 320 OR WD 1000	71.31.11.2
89.60.30.1	+Y WRITE COND	71.31.11.2
89.60.51.1	+Y SEL +TI ON	71.31.11.2
89.50.50.1	+Y ERROR	71.31.11.2
89.60.02.1	+Y BUSY	71.31.11.2
89.30.56.1	+Y FWD STOP DELAY	71.31.11.2
89.20.30.1	-Y MC 2	71.31.21.2
89.10.31.1	-Y MR RC-5 OR RD RC 7	71.31.21.2
89.60.02.1	+Y LOAD POINT	71.31.21.2
89.40.52.1	+Y R-W REG C BIT	71.61.11.2
89.40.51.1	+Y R-W REG B BIT	71.61.11.2
89.40.51.1	+Y R-W REG A BIT	71.61.11.2
89.40.51.1	+Y R-W REG 0 BIT	71.61.11.2
89.40.50.1	+Y R-W REG 4 BIT	71.61.11.2
89.40.50.1	+Y R-W REG 2 BIT	71.61.11.2
89.40.50.1	+Y R-W REG 1 BIT	71.61.11.2
89.40.61.1	-Y CHECK CHR	71.71.21.2
89.20.20.1	-Y MC 8 TR	71.71.41.2
89.30.52.1	+Y WD 49	71.61.21.2
89.20.10.1	-Y 729 HI DEN 800 OR 550 OPI	71.61.21.2
89.10.20.1	+Y RC 4 TR	71.61.21.2
89.10.10.1	+Y SEL +RDY HI 7330	71.61.21.2
89.60.31.1	+Y WRITE TM DRIVE	71.31.21.2
89.30.10.1	+Y END READ DELAY	71.61.21.2
89.10.10.1	+Y SEL +RDY MOD 4	71.61.21.2

A
B
C
D
E

NOTE: A +Y LINE IS CONSIDERED
A '1' IN STL

DATE 3.7.62
TA 1970B

DATE 7.2.62
TA 1715A

DATE 11-2-62
EC NO 110452 F
11-2-62 110725

DATE 4-10-62
EC NO 112835

DATE 11-2-62
EC NO 110452

723461
1715 A

(INDICATORS) *

TAU LOGIC	NAME	#2A1 LOGIC
89.30.40.1	DC 1 TR IND	71.81.11.2
89.30.40.1	DC 2 TR IND	71.81.11.2
89.30.40.1	DC 4 TR IND	71.81.11.2
89.30.41.1	DC 8 TR IND	71.81.11.2
89.30.42.1	DC 16 TR IND	71.81.11.2
89.30.42.1	DC 32 TR IND	71.81.11.2
89.30.42.1	DC 64 TR IND	71.81.11.2
89.30.42.1	DC 128 TR IND	71.81.11.2
89.30.43.1	DC 256 TR IND	71.81.11.2
89.30.43.1	DC 512 TR IND	71.81.11.2
89.30.43.1	DC 1024 TR IND	71.81.11.2
89.30.43.1	DC 2048 TR IND	71.81.11.2
89.10.20.1	RC 1 TR IND	71.81.12.2
89.10.20.1	RC 2 TR IND	71.81.12.2
89.10.20.1	RC 4 TR IND	71.81.12.2
89.10.20.1	RC 8 TR IND	71.81.12.2
89.20.20.1	WC 1 TR IND	71.81.12.2
89.20.20.1	WC 2 TR IND	71.81.12.2
89.20.20.1	WC 4 TR IND	71.81.12.2
89.20.20.1	WC 8 TR IND	71.81.12.2
89.40.52.1	R-W REG C BIT IND	71.81.11.2
89.40.51.1	R-W REG A BIT IND	71.81.11.2
89.40.51.1	R-W REG B BIT IND	71.81.11.2
89.40.51.1	R-W REG 8 BIT IND	71.81.11.2
89.40.50.1	R-W REG 4 BIT IND	71.81.11.2
89.40.50.1	R-W REG 2 BIT IND	71.81.11.2
89.40.50.1	R-W REG 1 BIT IND	71.81.11.2
89.40.23.1	A REG C BIT IND	71.81.11.2
89.40.22.1	A REG A BIT IND	71.81.11.2
89.40.22.1	A REG 8 BIT IND	71.81.11.2
89.40.21.1	A REG 8 BIT IND	71.81.11.2
89.40.21.1	A REG 4 BIT IND	71.81.11.2
89.40.20.1	A REG 2 BIT IND	71.81.11.2
89.40.20.1	A REG 1 BIT IND	71.81.11.2
89.40.23.1	B REG C BIT IND	71.81.11.2
89.40.22.1	B REG A BIT IND	71.81.11.2
89.40.22.1	B REG 8 BIT IND	71.81.11.2
89.40.21.1	B REG 8 BIT IND	71.81.11.2
89.40.21.1	B REG 4 BIT IND	71.81.11.2
89.40.21.1	B REG 2 BIT IND	71.81.11.2
89.40.20.1	B REG 1 BIT IND	71.81.11.2
89.50.50.1	ERROR LATCH IND	71.81.12.2
89.50.51.1	A REG VRC ERROR IND	71.81.12.2
89.50.50.1	R-W REG VRC ERR IND	71.81.12.2
89.50.30.1	COMPARE ERR IND	71.81.12.2
89.50.51.1	SKEW ERROR IND	71.81.12.2
89.50.50.1	ECHO ERROR IND	71.81.12.2
89.40.61.1	CHECK CHAR IND	71.81.12.2
89.40.61.1	ODD RED CALL IND	71.81.11.2
89.50.50.1	NO ECHO IND	71.81.11.2
89.60.02.1	LOAD POINT IND	71.81.11.2
89.60.02.1	REWIND IND	71.81.12.2
89.60.02.1	REWIND AND UNLOAD IND	71.81.12.2
89.60.11.1	GO IND	71.81.11.2
89.60.20.1	READ COND IND	71.81.12.2
89.60.20.1	READ ONLY IND	71.81.12.2
89.60.30.1	WR COND IND	71.81.12.2
89.60.31.1	WR TR REL IND	71.81.12.2
89.60.30.1	WRITE IND	71.81.12.2
89.60.31.1	DISC IND	71.81.12.2
89.60.31.1	WR TR IND	71.81.12.2
89.60.31.1	ERASE IND	71.81.12.2
89.60.40.1	BKSP IND	71.81.12.2
89.60.40.1	BAC JARD IND	71.81.12.2
89.30.10.1	READ-DELAY IND	71.81.12.2
89.30.10.1	RDD IND	71.81.12.2
89.30.11.1	MDD IND	71.81.12.2
89.30.11.1	WRITE DELAY IND	71.81.12.2
89.30.56.1	FWD STOP DELAY IND	71.81.11.2
89.50.41.1	LRCR C BIT IND	71.81.11.2
89.50.41.1	LRCR A BIT IND	71.81.11.2
89.50.41.1	LRCR 8 BIT IND	71.81.11.2
89.50.40.1	LRCR 8 BIT IND	71.81.11.2
89.50.40.1	LRCR 4 BIT IND	71.81.11.2
89.50.40.1	LRCR 2 BIT IND	71.81.11.2
89.50.40.1	LRCR 1 BIT IND	71.81.11.2
89.40.60.1	FIRST CHAR IND	71.81.12.2

* ALL INDICATOR SIGNALS ARE 18 LINES

TAU 12.000 DATE 17.4.62
TA 3733A TA 1282

DATE	EC NO	DATE	EC NO	DATE	EC NO
17-62	110432.F	1-25-62	112035		

805537

READ CLOCK DRIVE

TAU 9

89.10.19.1

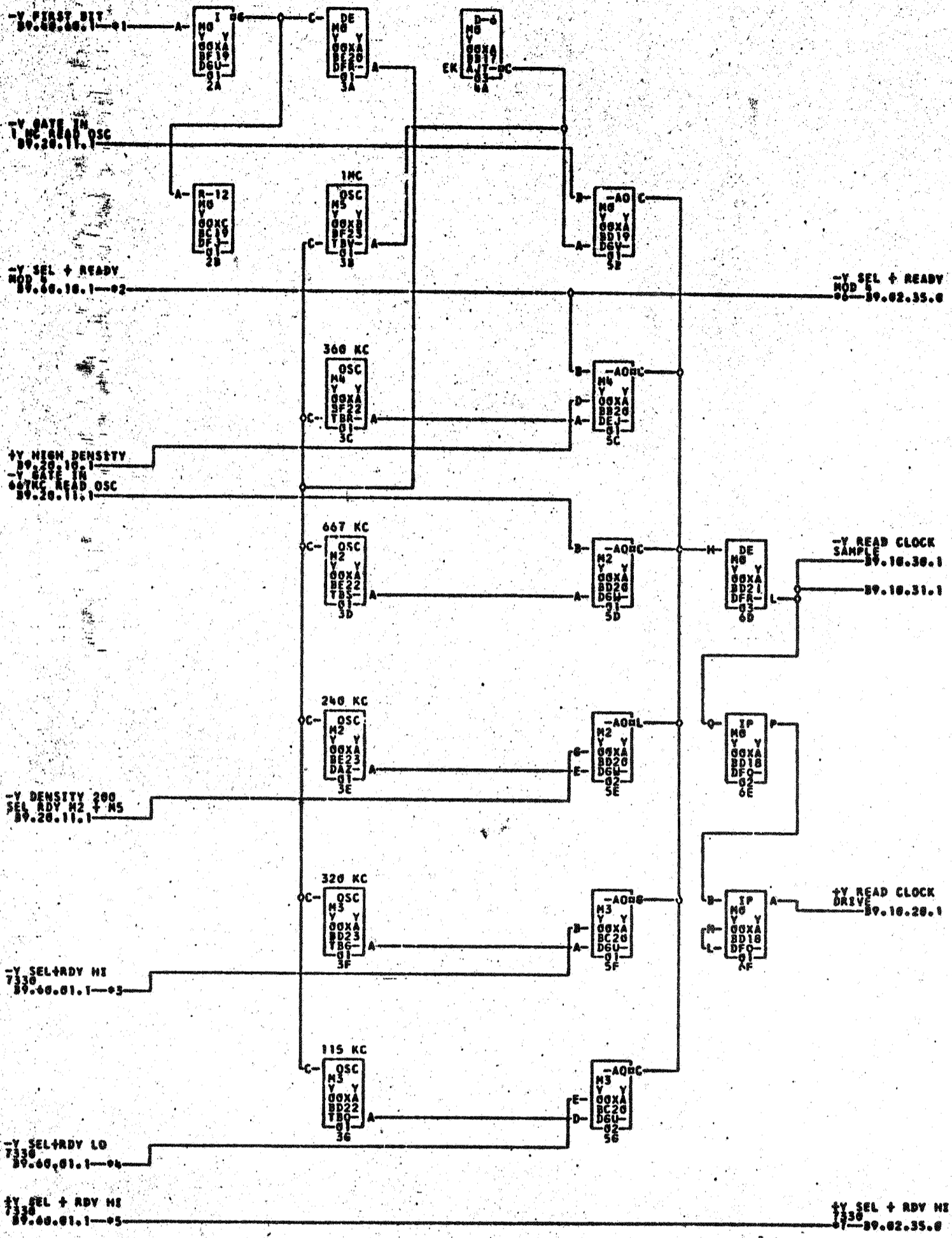
TAG DATE

B 14.12.62

TA 1678A

C 12.3.63

TA 1775



- 01-80XB02R
- 02-80XB01L
- 03-80XB01H
- 04-80XB010
- 05-80XB01H
- 06-80XB020

805537

REV	DATE	E.C. NO.	REV	DATE	E.C. NO.	REV	DATE	E.C. NO.	REV	DATE	E.C. NO.
0001	11-30-61	113620	0002	10-05-62	116230	0003	12-13-62	116780			

COMMENTS

0005530

READ CLOCK

TAU 9

09.10.20.1

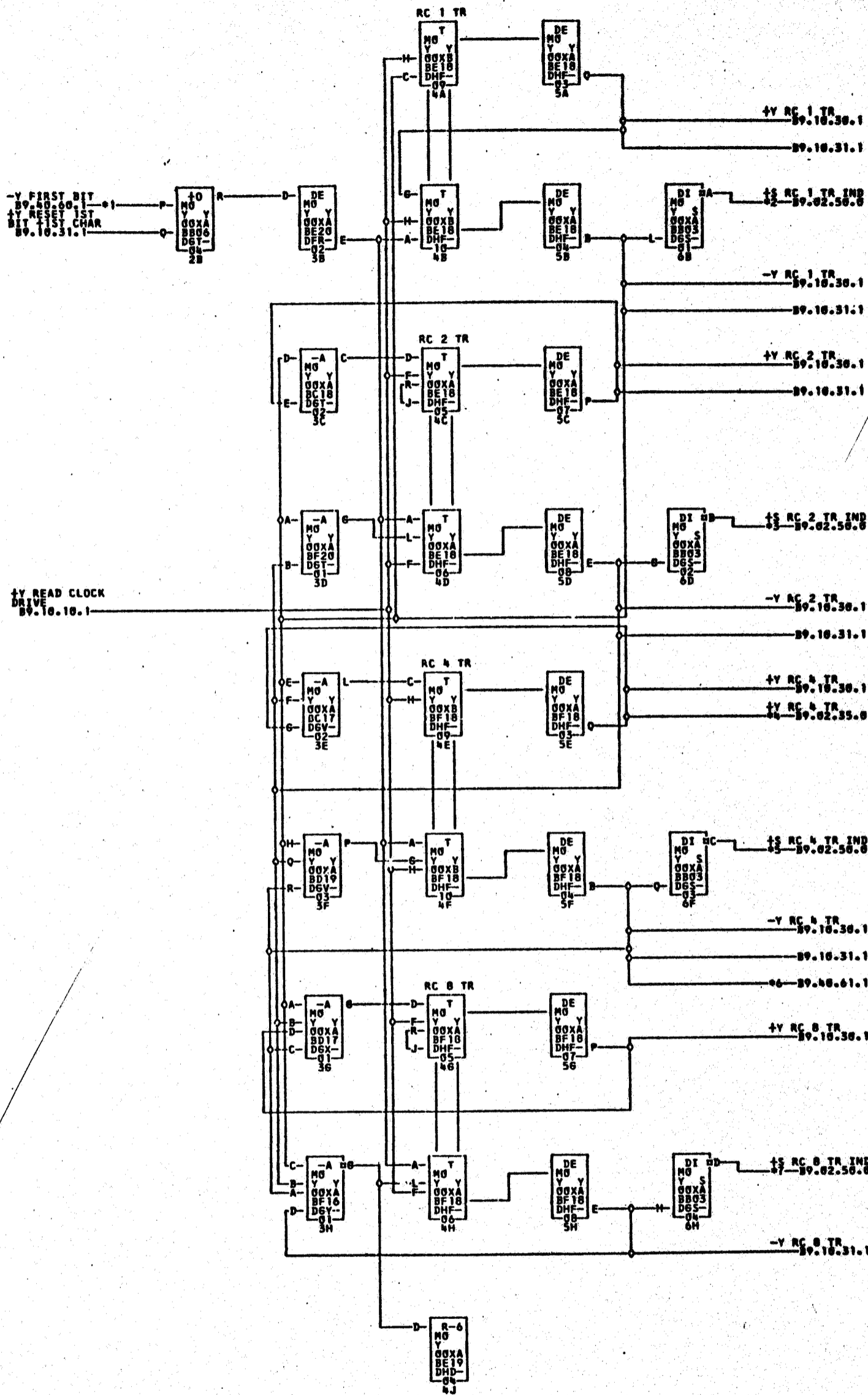
TAG DATE

A 10.4.62

TA 1233

B 12.3.63

TA 1775



*1-00XB02R
*7-00XB02D

*2-00XB02A

*3-00XB02B

*4-00XB02K

*5-00XB02C

*6-00XB01M

00XB 02B3 1401
00XB 14D4 1410

COMMENTS

TAG DATE	E.C.NO.	TAG DATE	E.C.NO.	TAG DATE	E.C.NO.	TAG DATE	E.C.NO.
A 11-30-61	113620	B 12-13-62	116749C				

805538

0805539

READ CLOCK GATING

TAU 9

B9.10.30.1

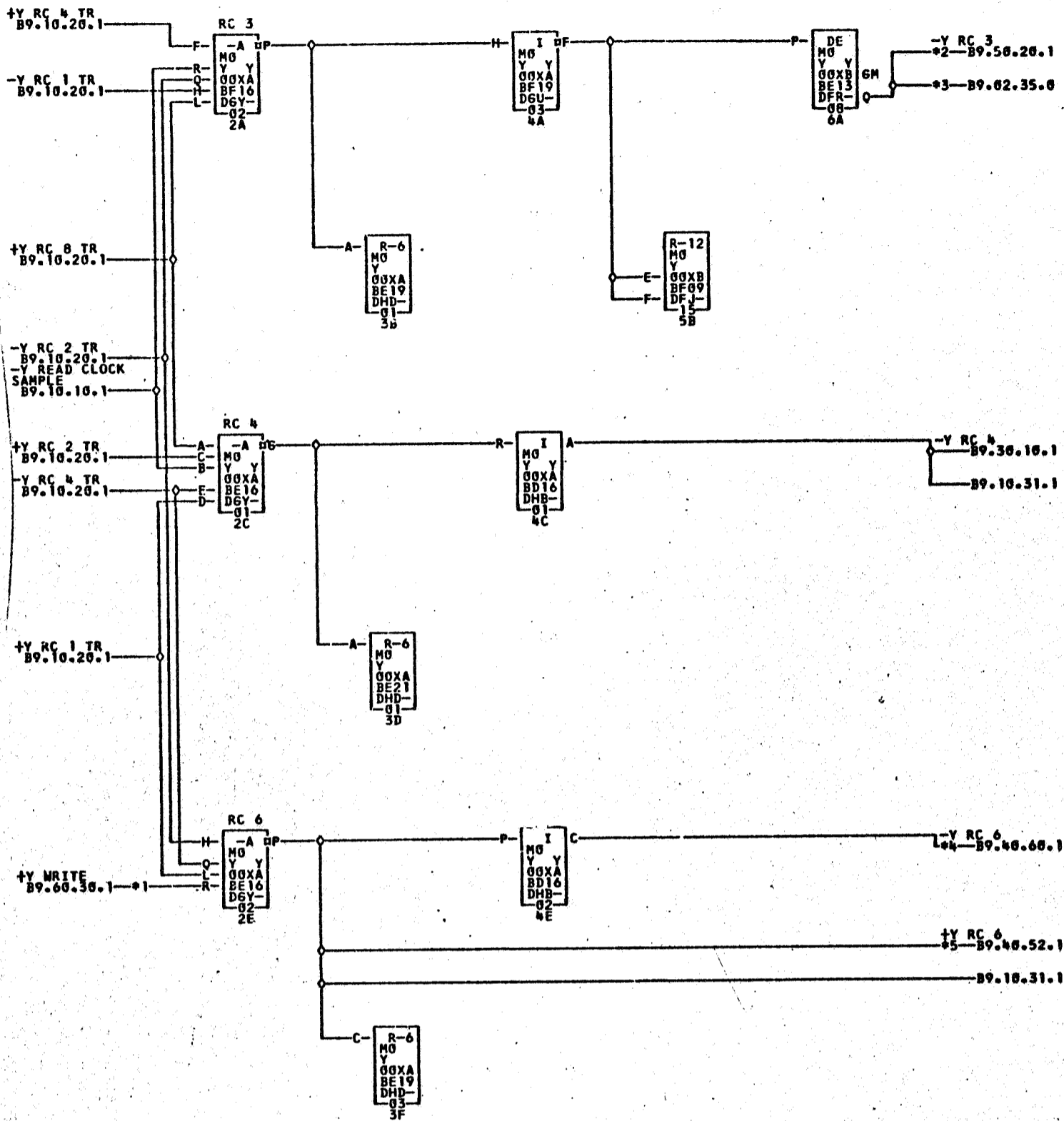
TAG DATE

A 10.4.62

TA 1233

B 12.3.63

TA 1775



*1-00XBA01F

*2-00XBE02F

*3-00XBD02F

*4-00XBE02K

*5-00XBE02N

00XB 02B3 1401
00XB 1404 1410

COMMENTS

TAG DATE	E.C.NO.	TAG DATE	E.C.NO.	TAG DATE	E.C.NO.	TAG DATE	E.C.NO.
A 11-30-61	113420	B 12-13-62	116749C				

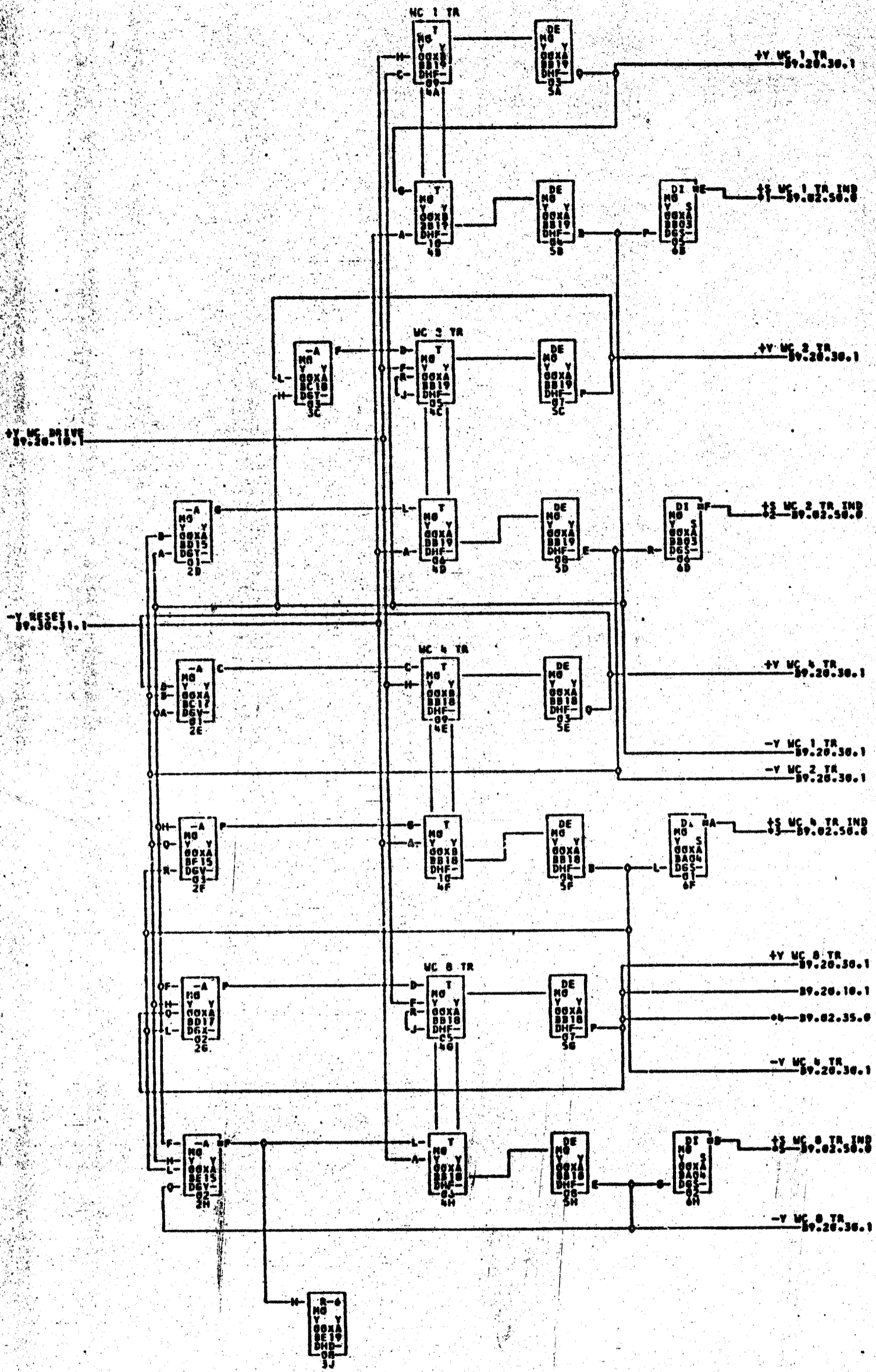
805539

A 10.4.62

TA 1233

B 12.3.63

TA 1775



*1-00XB02E

*2-00XB02F

*3-00XB02G

*4-00XB02H

*5-00XB02I

00XB 0203 1401
00XB 1454 1410

COMMENTS

TAG DATE 11-30-61 FIC NO. 115428

TAG DATE 12-13-62 FIC NO. 112742

TAG DATE E.C.NO.

TAG DATE E.C.NO.

005543

005544

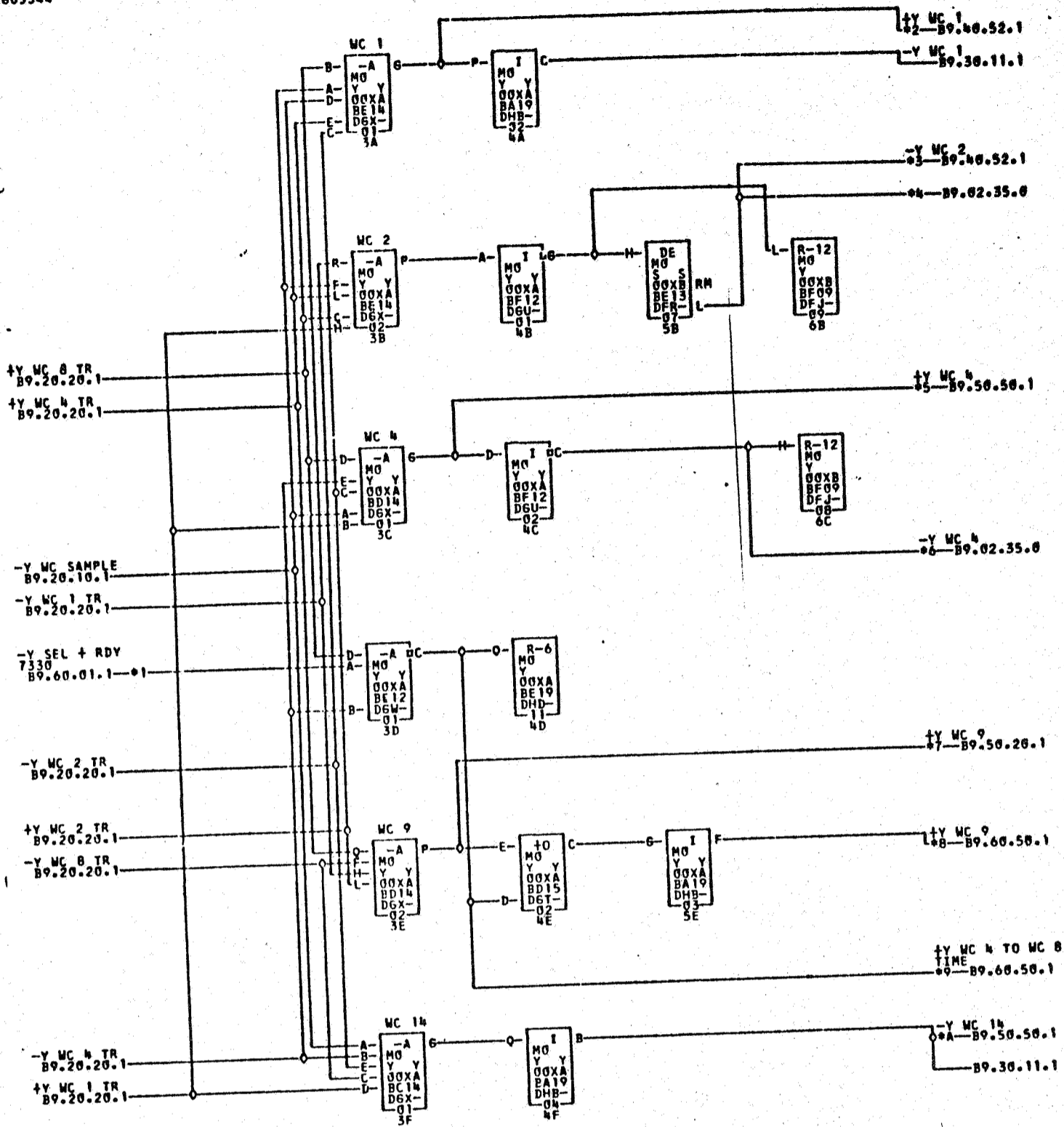
WRITE CLOCK GATING

TAU 9 B9.20.30.1

TAG DATE

A 10.4.62
TA 1233

B 12.3.63
TA 1775



*1-00XBAG1A
*7-00XBE02H

*2-00XBE02M
*8-00XBC01D

*3-00XBE02Q
*9-00XBE01G

*4-00XBC02P
*A-00XBC01Q

*5-00XBC01R

*6-00XBD02D

00XB 02B 1401
00XB 14C 1410

COMMENTS

TAG DATE	E.C.NO.	TAG DATE	E.C.NO.	TAG DATE	E.C.NO.	TAG DATE	E.C.NO.
A 11-30-61	113420	B 12-13-62	116749C				

005544

005545

READ DELAY CONTROL

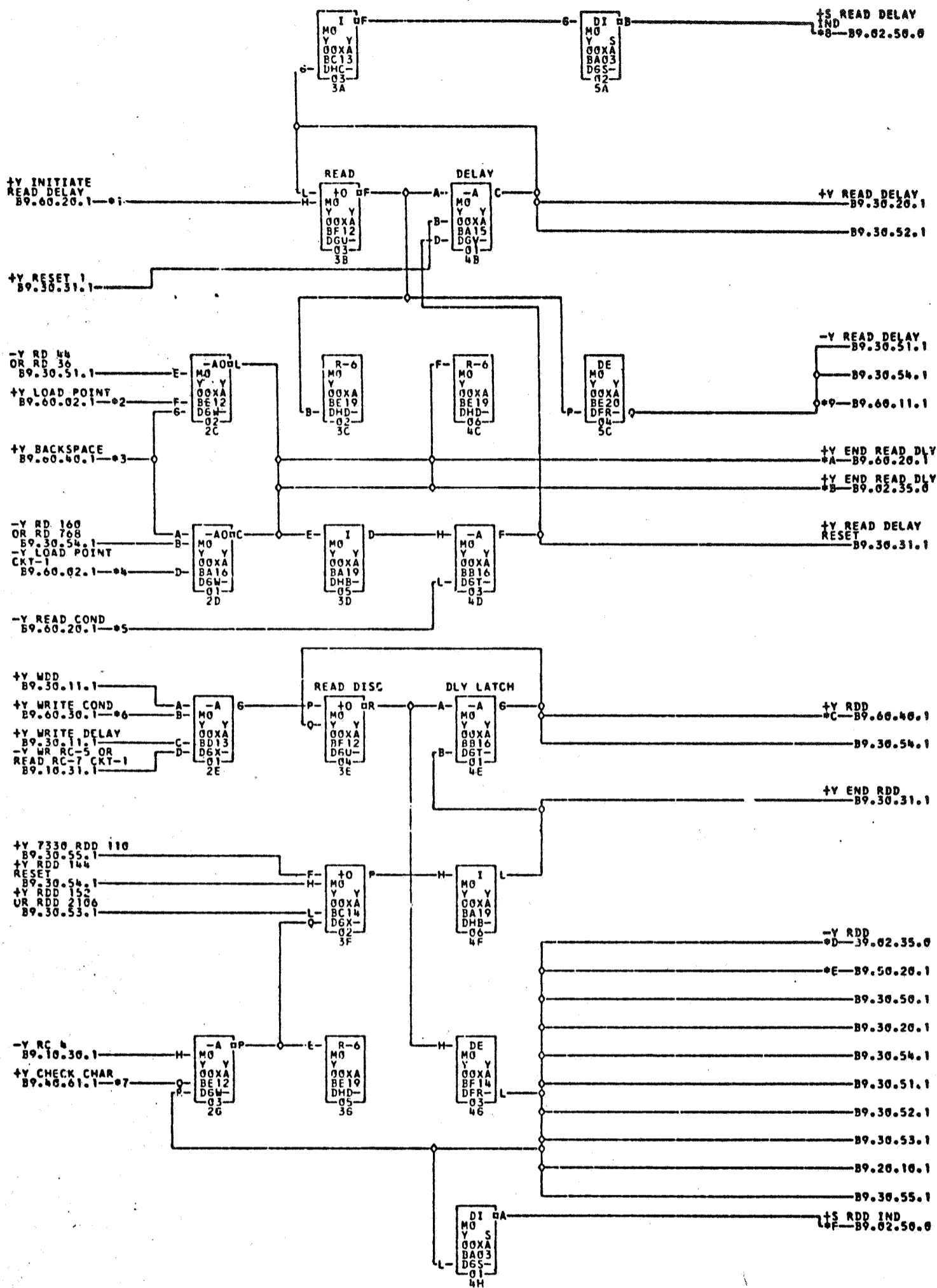
TAU 9

B9.30.15.1

TAG DATE

B 30.8.62
TA 1441

C 12.3.63
TA 1775



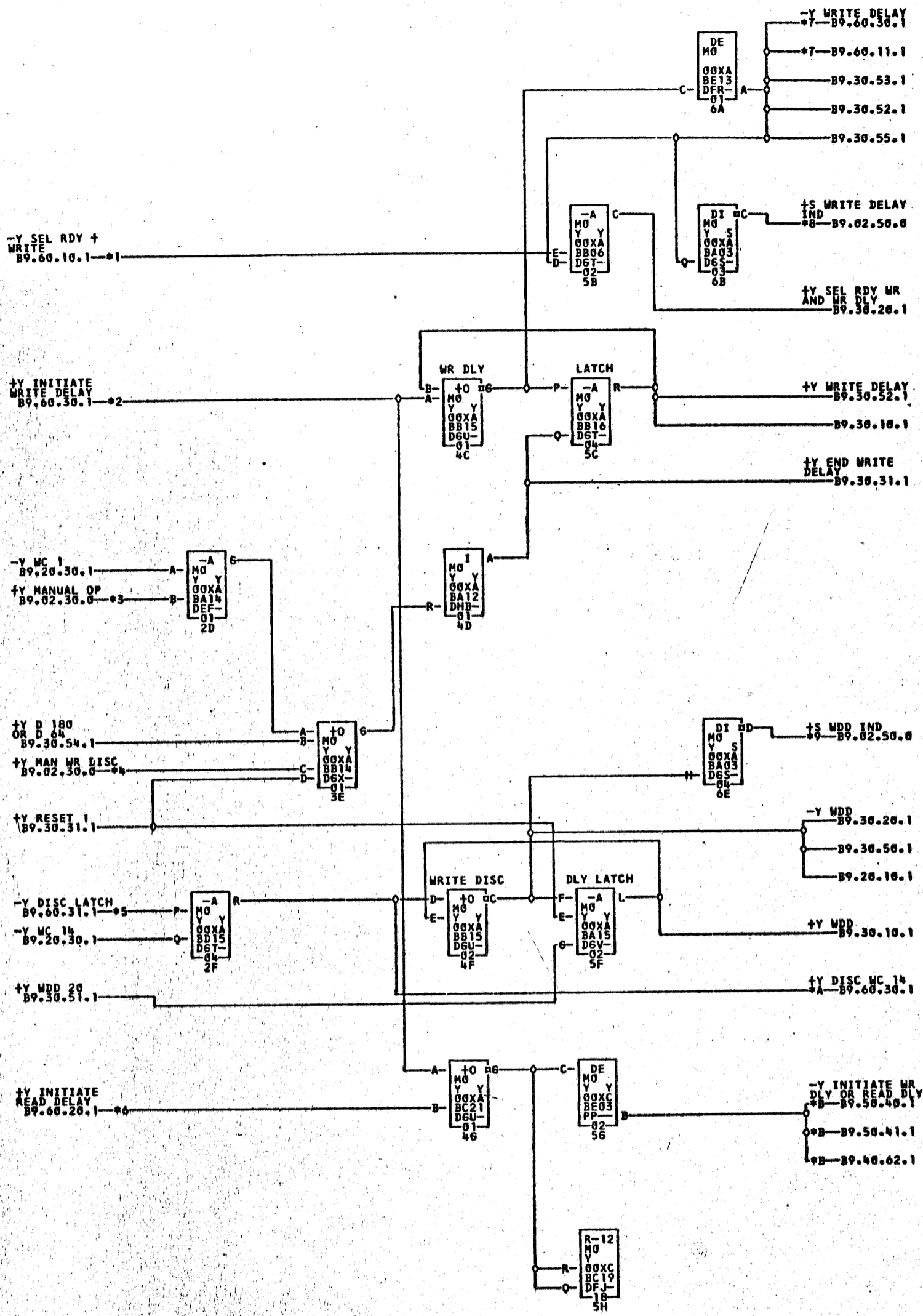
- *1—00XBA01M *2—00XBA01N *3—00XBA01P *4—00XBA01Q *5—00XBC01A *6—00XBB01E
- *7—00XBA01R *8—00XBA02K *9—00XBD01L *A—00XBB01R *B—00XBC02Q *C—00XBC01B
- *D—00XBD02B *E—00XBE02E *F—00XBA02L

805545

00XB 02B3 1401
00XB 1404 1410

COMMENTS

TAG DATE	E.C. NO.	TAG DATE	E.C. NO.	TAG DATE	E.C. NO.	TAG DATE	E.C. NO.
A 11-30-61	113420	B 05-18-62	115310	C 12-13-62	116749C		



*1-00XB01L
*7-00XB01B

*2-00XBB01F
*8-00XBB02K

*3-00XBC02M
*9-00XBA02M

*4-00XBC02L
*A-00XBB01N

*5-00XBB01A
*B-00XBF01H

*6-00XBA01M

805546

00XB 02B3 1401
00XB 1406 1410
COMMENTS

TAG DATE E.C.NO.
A 11-30-61 113428

TAG DATE E.C.NO.
B 10-03-62 116234

TAG DATE E.C.NO.
C 12-13-62 116749C

TAG DATE E.C.NO.

005547

DELAY COUNTER DRIVE

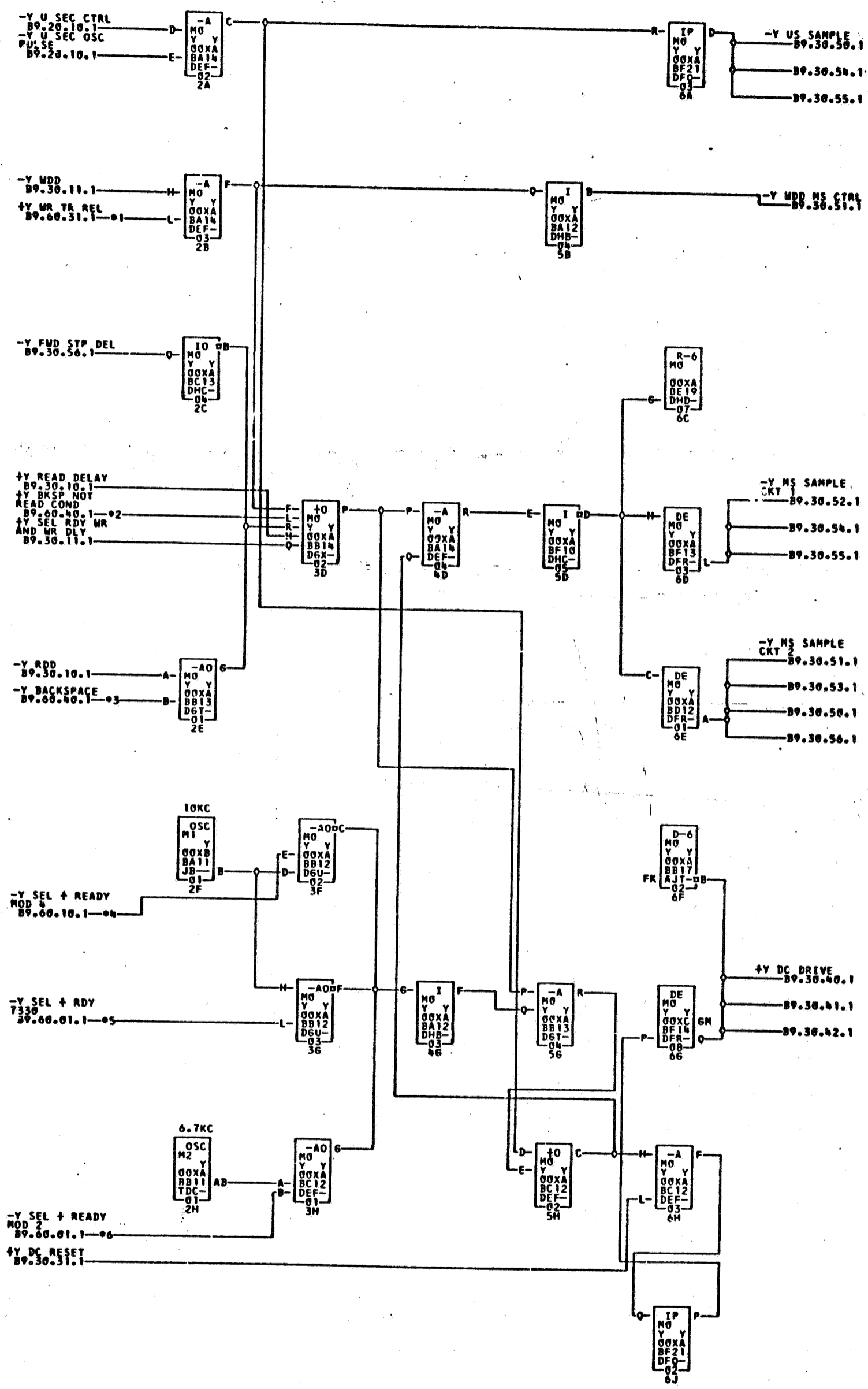
TAU 9

89.30.20.1

TAG DATE

B 23.7.62
TA 1370H

C 12.3.63
TA 1775



- *1-00XB01B
- *2-00XB01C
- *3-00XB01C
- *4-00XB01L
- *5-00XB01A
- *6-00XB01K

805547

COMMENTS
 00XB 0283 1401
 00XB 1404 1410

TAG DATE	E.C.NO.	TAG DATE	E.C.NO.	TAG DATE	E.C.NO.	TAG DATE	E.C.NO.
A 11-30-61	113420	B 05-15-62	115304	C 12-13-62	116749C		

0805548

DELAY COUNTER RESET TRIGGER RESET

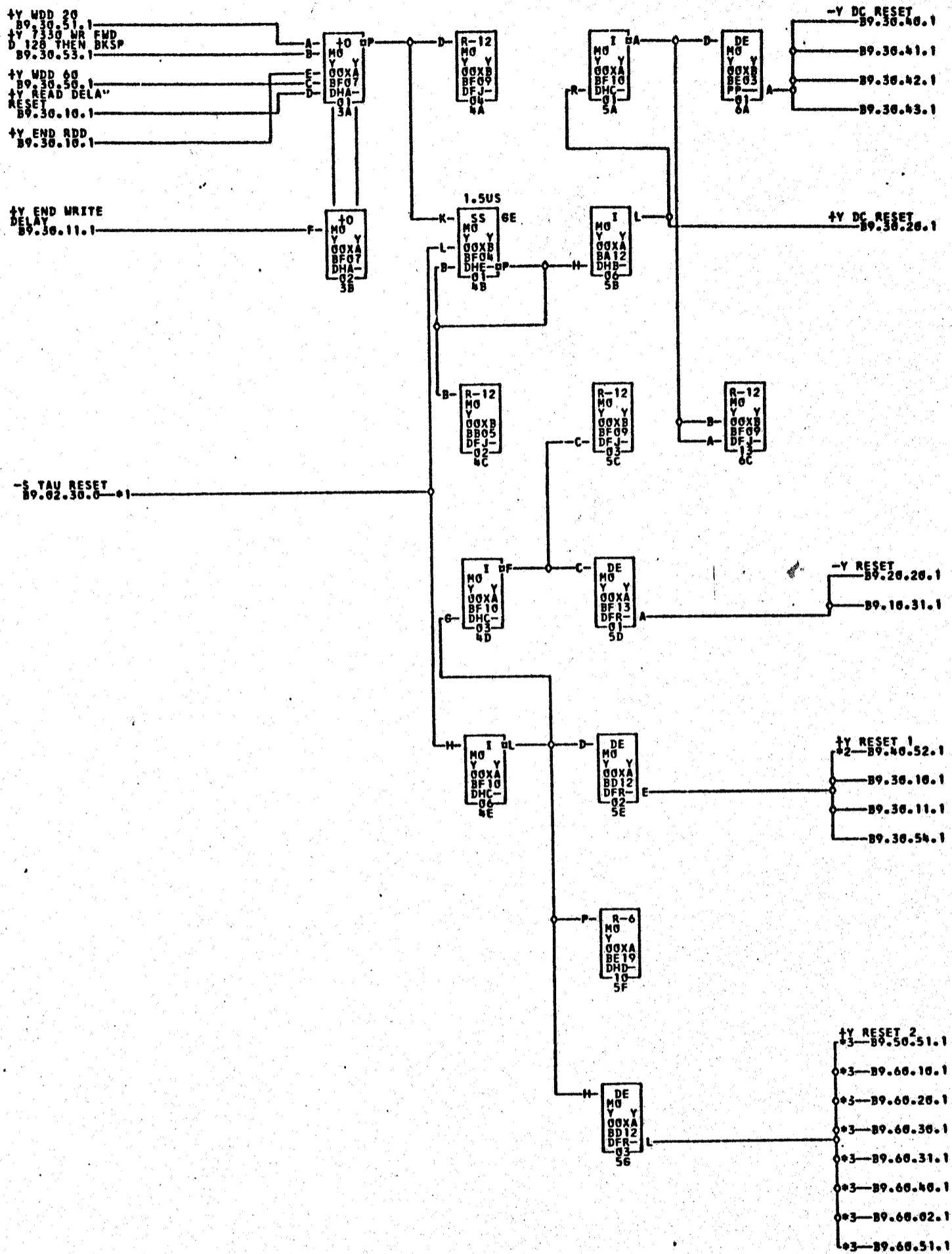
TAU 9

B9.36.31.1

TAG DATE

A 10.4.62
TA 1233

B 12.3.63
TA 1775



*1-00XBC02F

*2-00XBE02B

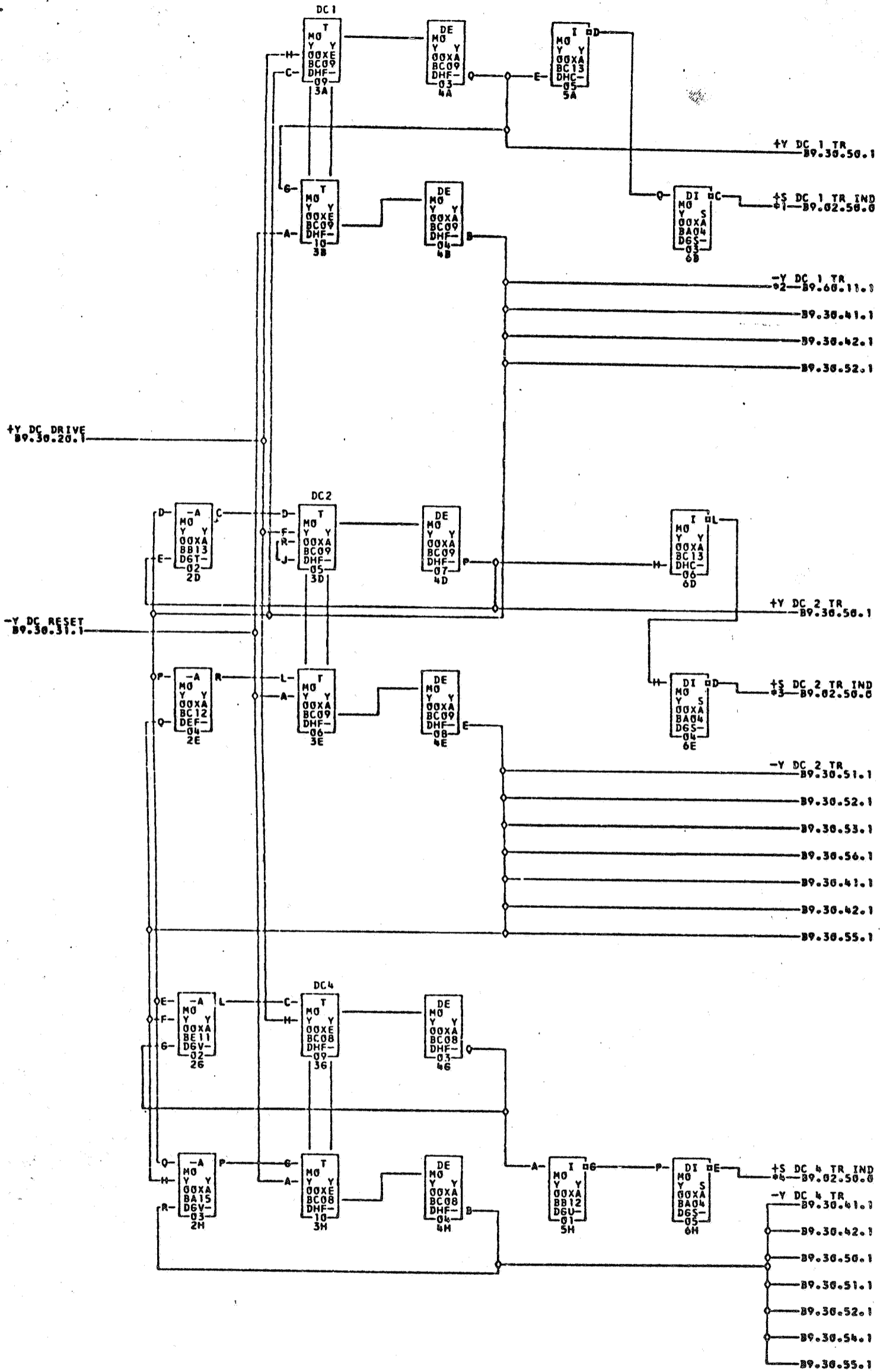
*3-00XBC01P

00XB 02B3 1401
00XB 14D4 1410

COMMENTS

TAG DATE	E.C.NO.	TAG DATE	E.C.NO.	TAG DATE	E.C.NO.	TAG DATE	E.C.NO.
A 11-30-61	113420	B 12-13-62	116749C				

745548



*1-00XBA02N

*2-00XBD01D

*3-00XBA02P

*4-00XBA02Q

00XB 0283 1401
00XB 16D4 1616

COMMENTS

TAG DATE	E.C.NO.	TAG DATE	E.C.NO.	TAG DATE	E.C.NO.	TAG DATE	E.C.NO.
A 11-30-61	113420	B 01-26-62	113640	C 05-15-62	115304	D 10-03-62	116236
E 12-13-62	116749C						

005549

005550

DELAY COUNTER

TAU 9

89.30.41.1

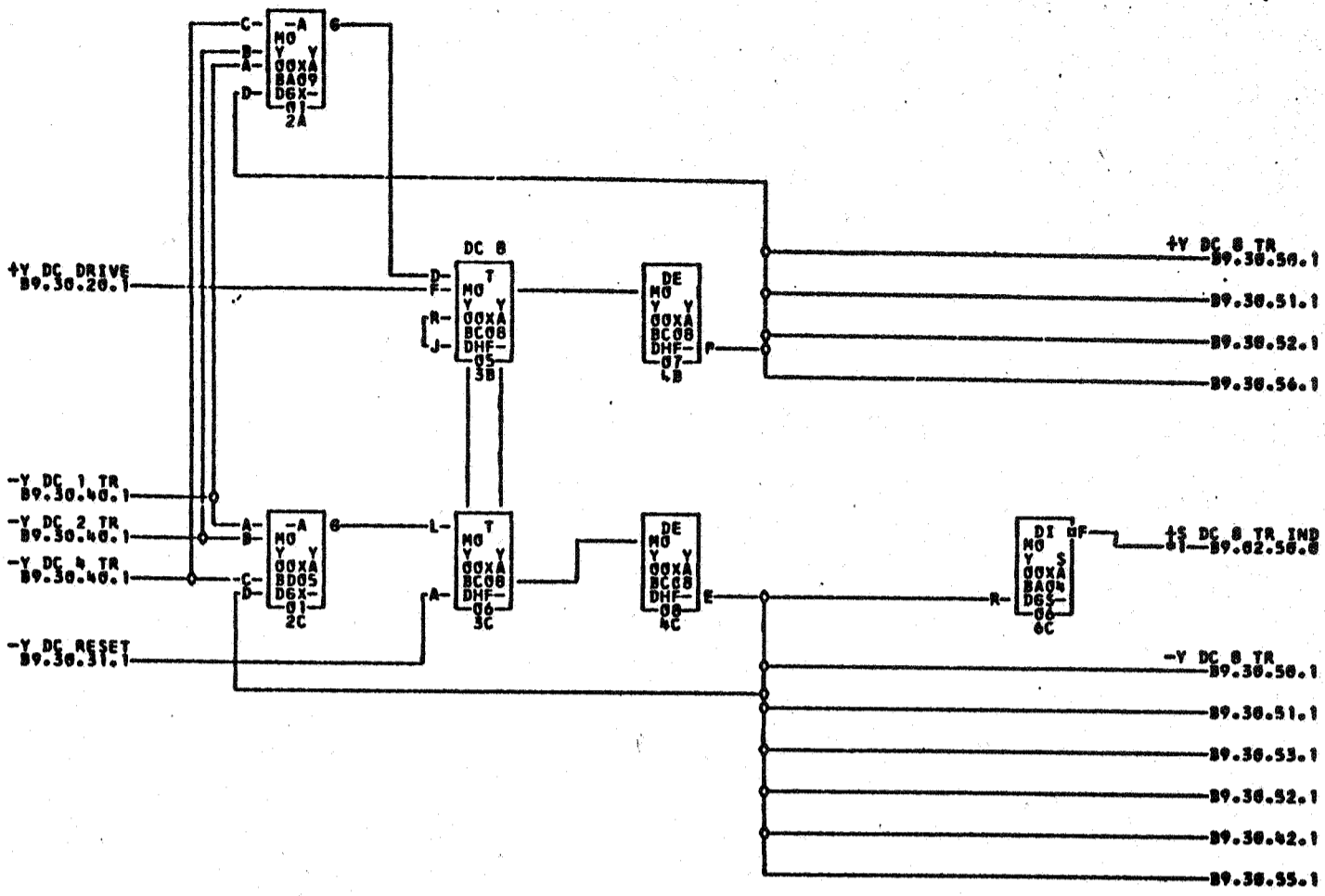
TAG DATE

B 14.12.62

TA 1678A

C 12.3.63

TA 1775



*1-00XBA02R

00XB 0283 1491
00XB 1454 1410

COMMENTS

TAG DATE	E.C.NO.	TAG DATE	E.C.NO.	TAG DATE	E.C.NO.	TAG DATE	E.C.NO.
A 11-30-61	115420	B 10-03-62	116236	C 12-13-62	116149C		

805550

080551

DELAY COUNTER

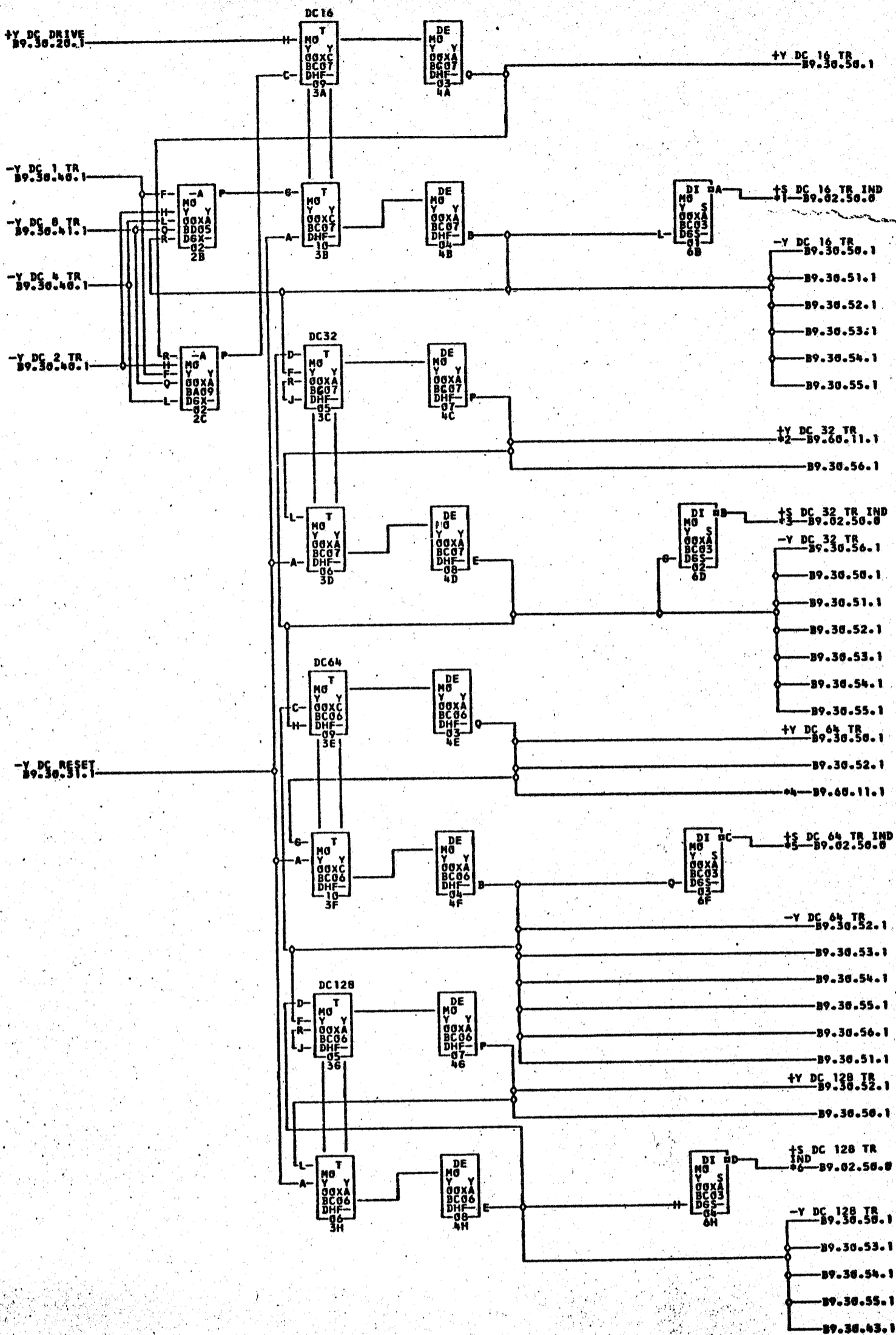
TAU 9

89.30.42.1

TAG DATE

B 14.12.62
TA 1678A

C 12.3.63
TA 1775



*1-00XB02A

*2-00XB01E

*3-00XB02B

*4-00XB01F

*5-00XB02C

*6-00XB02D

00XB 02B 1401
00XB 12DC 1470

COMMENTS

TAG DATE	E.C.NO.	TAG DATE	E.C.NO.	TAG DATE	E.C.NO.	TAG DATE	E.C.NO.
A 11-30-61	115420	B 10-01-62	118236	C 12-13-62	118740C		

805551

000552

DELAY COUNTER

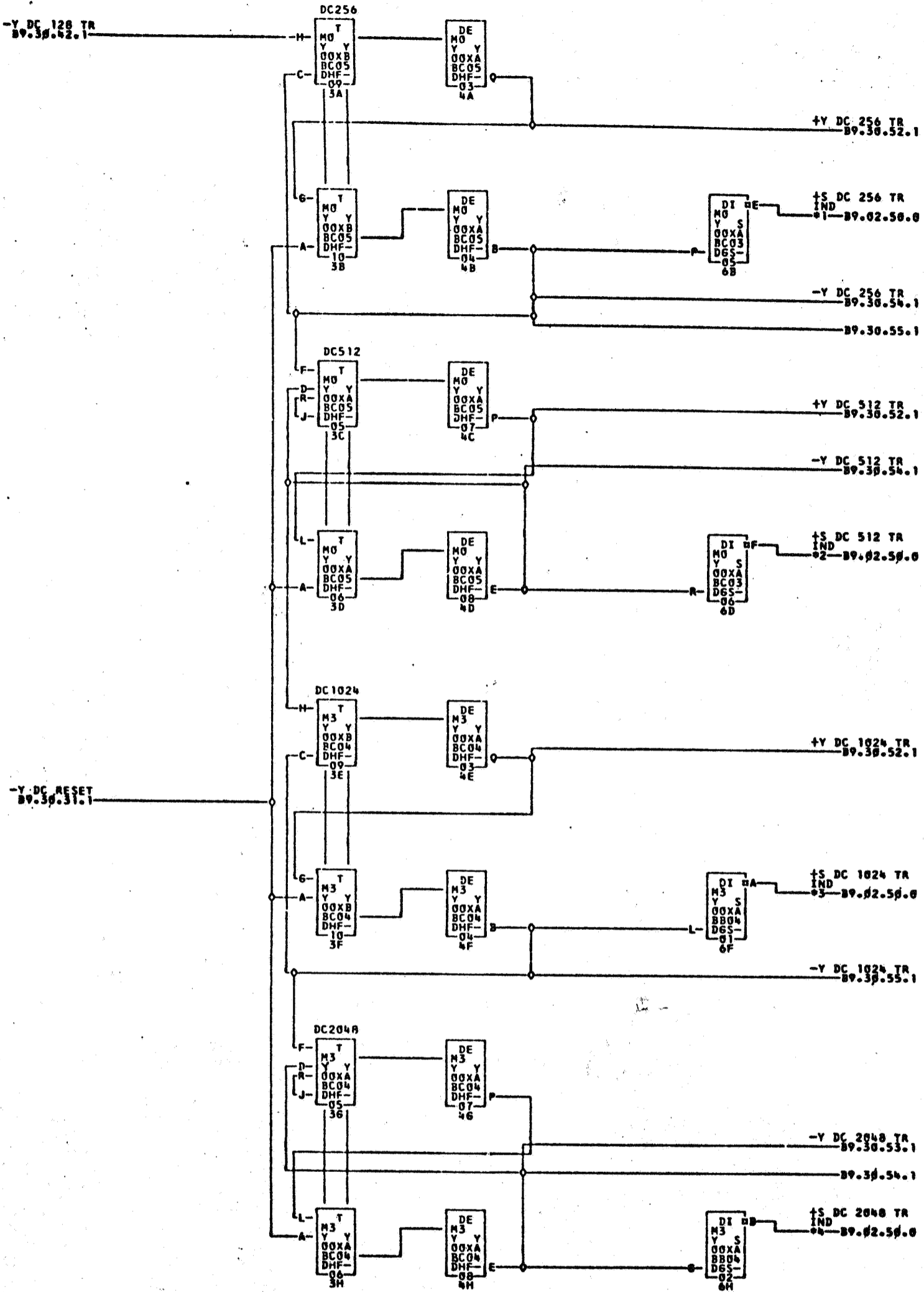
TAU 9

89.30.43.1

TAG DATE

A 10.4.62
TA 1233

B 12.3.63
TA 1775



*1-00XB02E

*2-00XB02F

*3-00XB02G

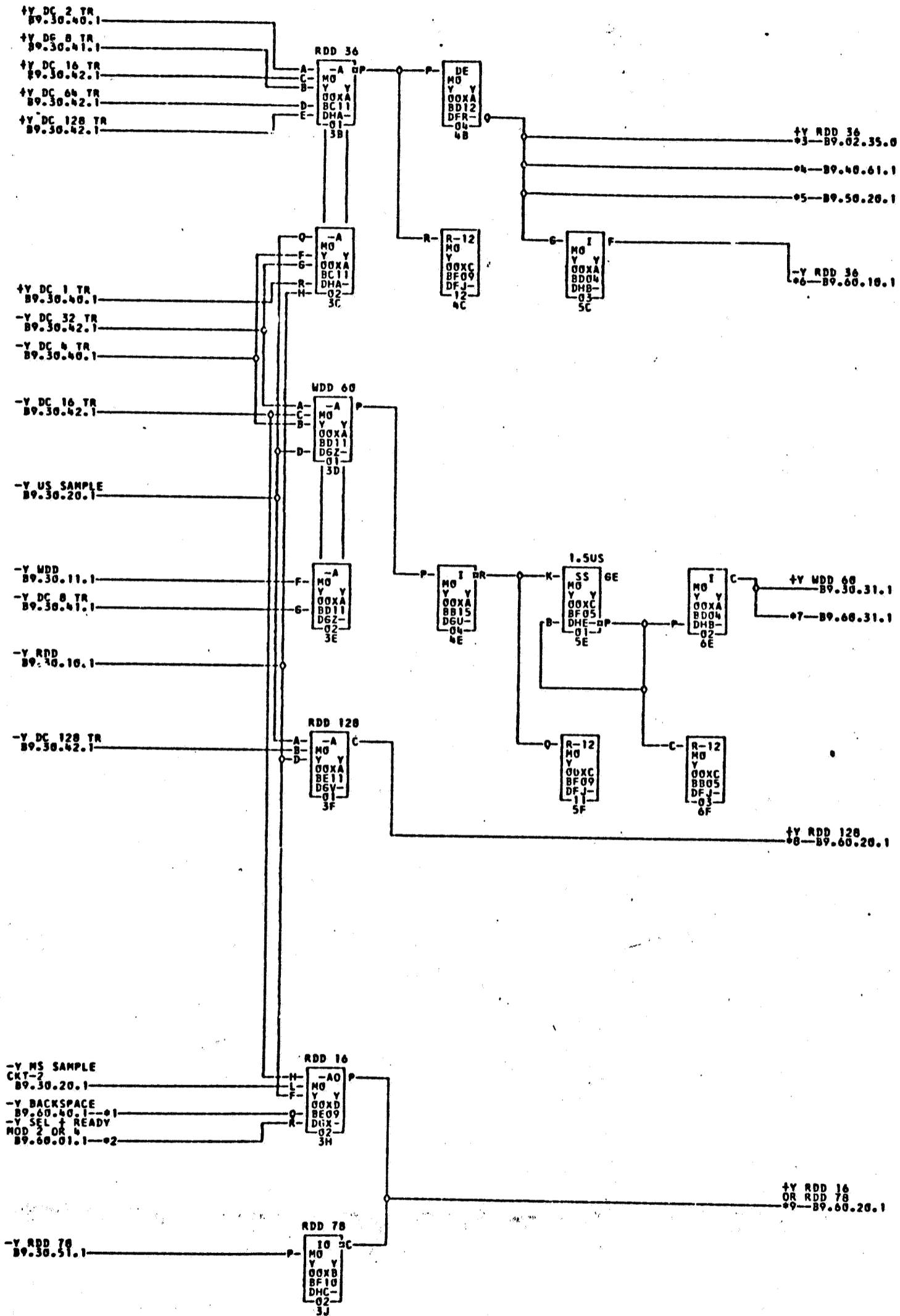
*4-00XB02H

005552

00XB 02B3 1401
00XB 1404 1410

COMMENTS

TAG DATE	E.C.NO.	TAG DATE	E.C.NO.	TAG DATE	E.C.NO.	TAG DATE	E.C.NO.
A 11-30-61	113420	B 12-13-62	116749C				



- 01-00XBAG1C 02-00XBAG1D 03-00XBD02C 04-00XBC01N 05-00XBE026 06-00XBD010
- 07-00XBD01P 08-00XBC01E 09-00XBC01C

805553

000554

DELAY COUNTER GATING

TAU 9

B9.30.51.1

TAG DATE

-Y WDD MS CTRL
B9.30.20.1

+Y DC 8 TR
B9.30.41.1

-Y DC 16 TR
B9.30.42.1

-Y SEL + READY
MOD 1
B9.30.10.1-#1

-Y DC 2 TR
B9.30.40.1

-Y RDD
B9.30.10.1
-Y MS SAMPLE
CKT 2
B9.30.20.1

-Y SEL + READY
MOD 2
B9.30.01.1-#2

-Y DC 4 TR
B9.30.40.1

-Y DC 64 TR
B9.30.42.1

-Y DC 8 TR
B9.30.41.1

-Y BACKSPACE
B9.30.40.1-#3

-Y SEL + READY
MOD 2 OR 4
B9.30.01.1-#4

-Y SEL + RDY
7330
B9.30.01.1-#5

-Y DC 32 TR
B9.30.42.1

-Y READ DELAY
B9.30.10.1

WDD 20



RDD 22



M4 Y



RDD 38



M2 Y



RDD 78



RD 44



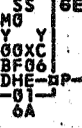
M6 Y



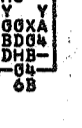
RD 36



1.5US



I M0 Y



I M0 Y



R-12 M0 Y



*1-G0XBA01L
*7-G0XBC01F

*2-G0XBA01K
*8-G0XB01P

*3-G0XBA01C

*4-G0XBA01D

*5-G0XBA01A

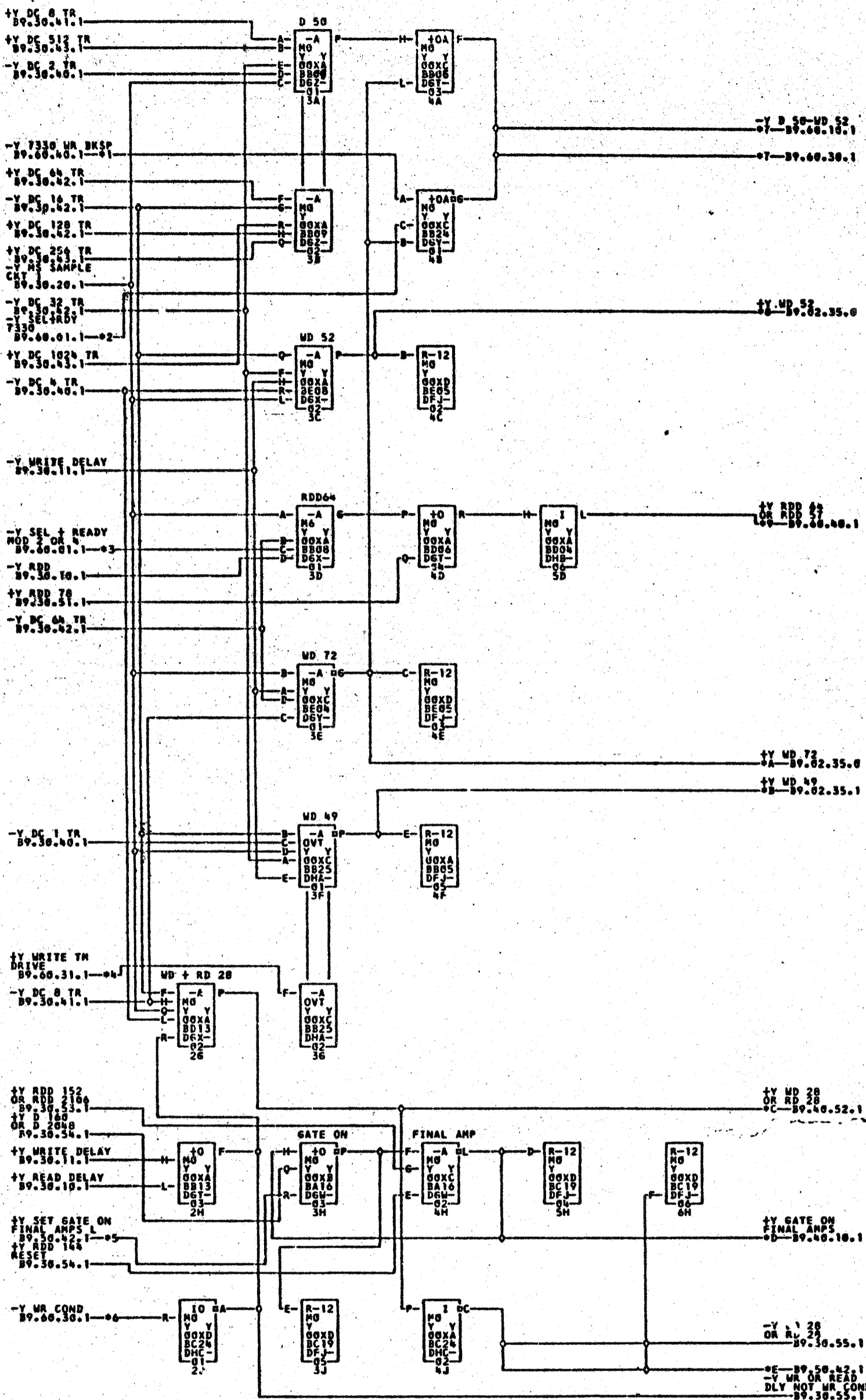
*6-G0XB01N

00XB 02B3 1401
00XB 14D4 1410

COMMENTS

TAG DATE E.C.NO. TAG DATE E.C.NO. TAG DATE E.C.NO. TAG DATE E.C.NO.
A 11-30-61 113420 B 10-03-62 116234 C 12-15-62 116749 D 12-16-63 114200

000000



- *1-00XB01N
- *2-00XB01A
- *3-00XB01D
- *4-00XB01D
- *5-00XF01G
- *6-00XB01H
- *7-00XB01P
- *8-00XB02B
- *9-00XB01L
- *A-00XB02C
- *B-00XF02R
- *C-00XB01E
- *D-00XB01F

00XB 0283 1401
00XB 1404 1410

COMMENTS

TAG DATE FIC NO TAG DATE FIC NO TAG DATE FIC NO TAG DATE FIC NO
 A 11-30-61 F13420 B 01-24-62 F13440 C 10-05-62 F16230 D 12-13-62 F16700

805555

C 14.12.62
TA 1678A
D 12.3.63
TA 1775

080556

DELAY COUNTER GATING

TAU 9

B9.30.53.1

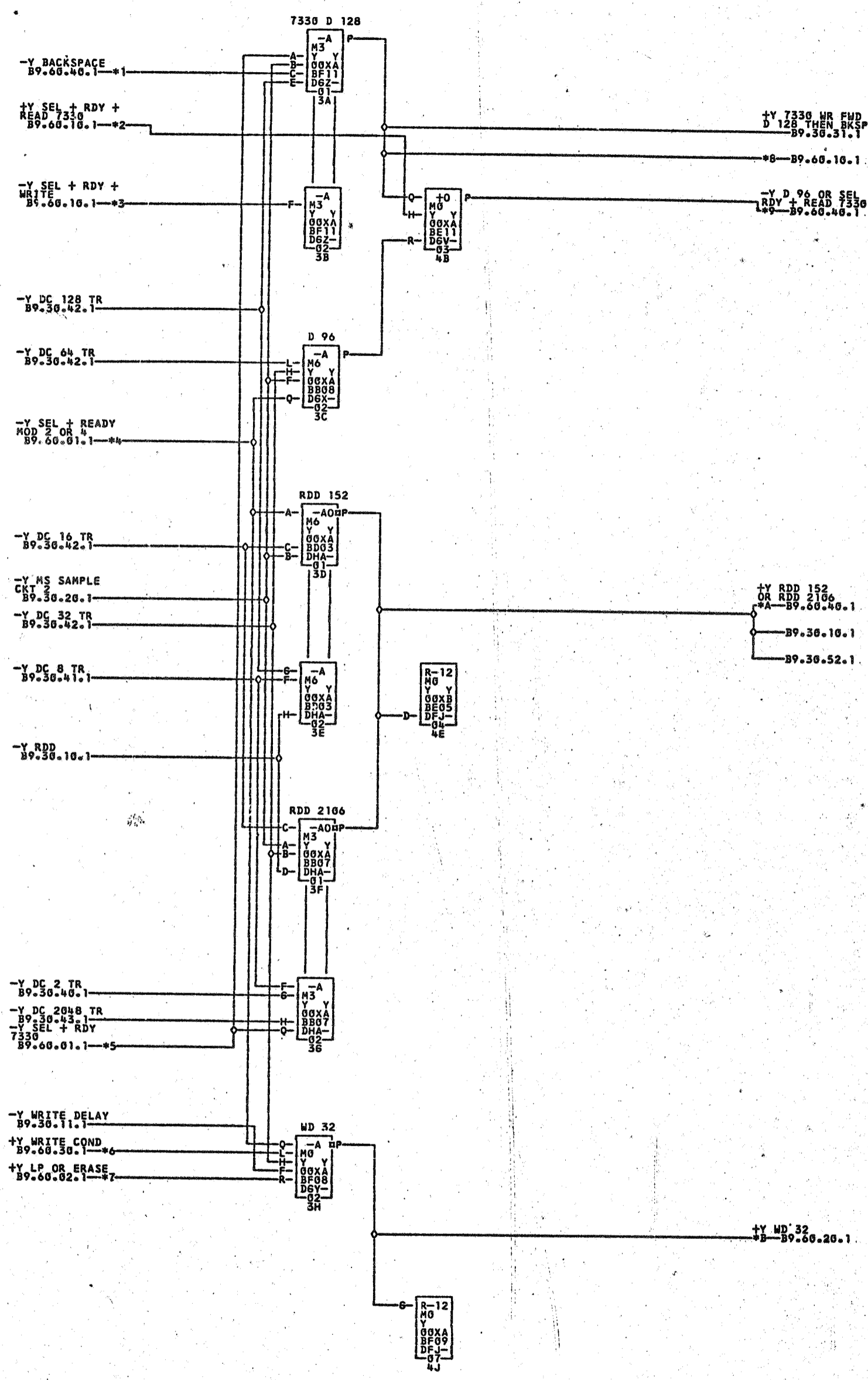
TAG DATE

B 12.3.63

TA 1775

C 5.3.64

TA 704A



*1-00XBAG1C
*7-00XBEG1A

*2-00XBEG1C
*8-00XBD01A

*3-00XBB01L
*9-00XBC01K

*4-00XBAG1D
*A-00XBC01H

*5-00XBAG1A
*B-00XBEG1F

*6-00XBB01E

00XB 02B3 1401
00XB 14D4 1410

COMMENTS

TAG DATE	E.C.NO.	TAG DATE	E.C.NO.	TAG DATE	E.C.NO.	TAG DATE	E.C.NO.
A 11-30-61	113420	B 12-13-62	116749C	C 12-16-63	114206		

005558

DELAY COUNTER GATING

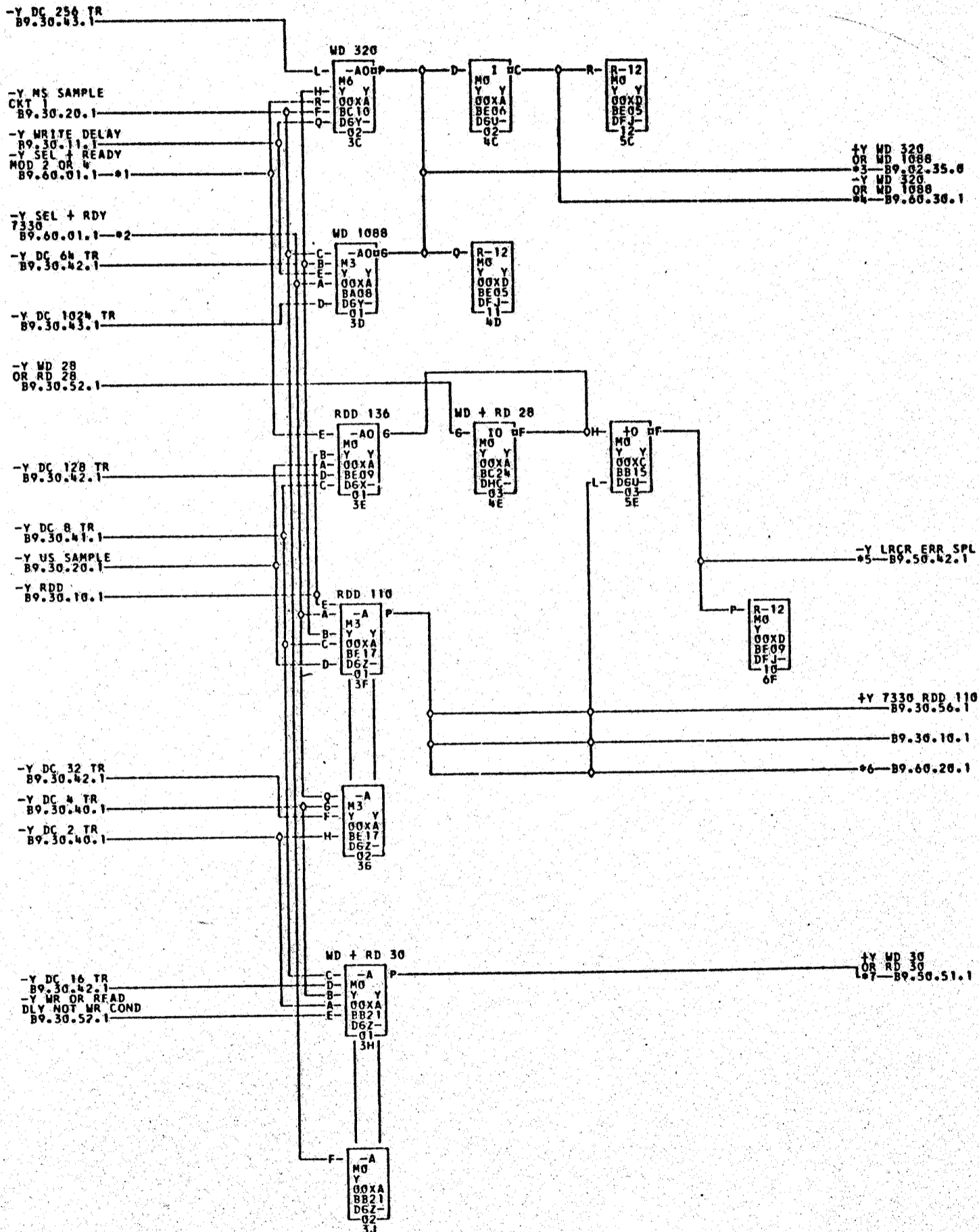
TAU 9

89.30.55.1

TAG DATE

C 14.12.82
TA 1878A

D 12.3.83
TA 1775



*1-00XBA01D
*7-00XBE01B

*2-00XBA01A

*3-00XBC02D

*4-00XBB01M

*5-00XPE02C

*6-00XBE01Q

00XB 02B3 1401
00XB 14D4 1410

COMMENTS

TAG DATE	E.C.NO.	TAG DATE	E.C.NO.	TAG DATE	E.C.NO.	TAG DATE	E.C.NO.
A 11-30-61	113420	B 01-26-62	113840	C 10-03-62	116234	D 12-13-62	116749C

805558

8805559

FORWARD STOP DELAY AND COMPUTE

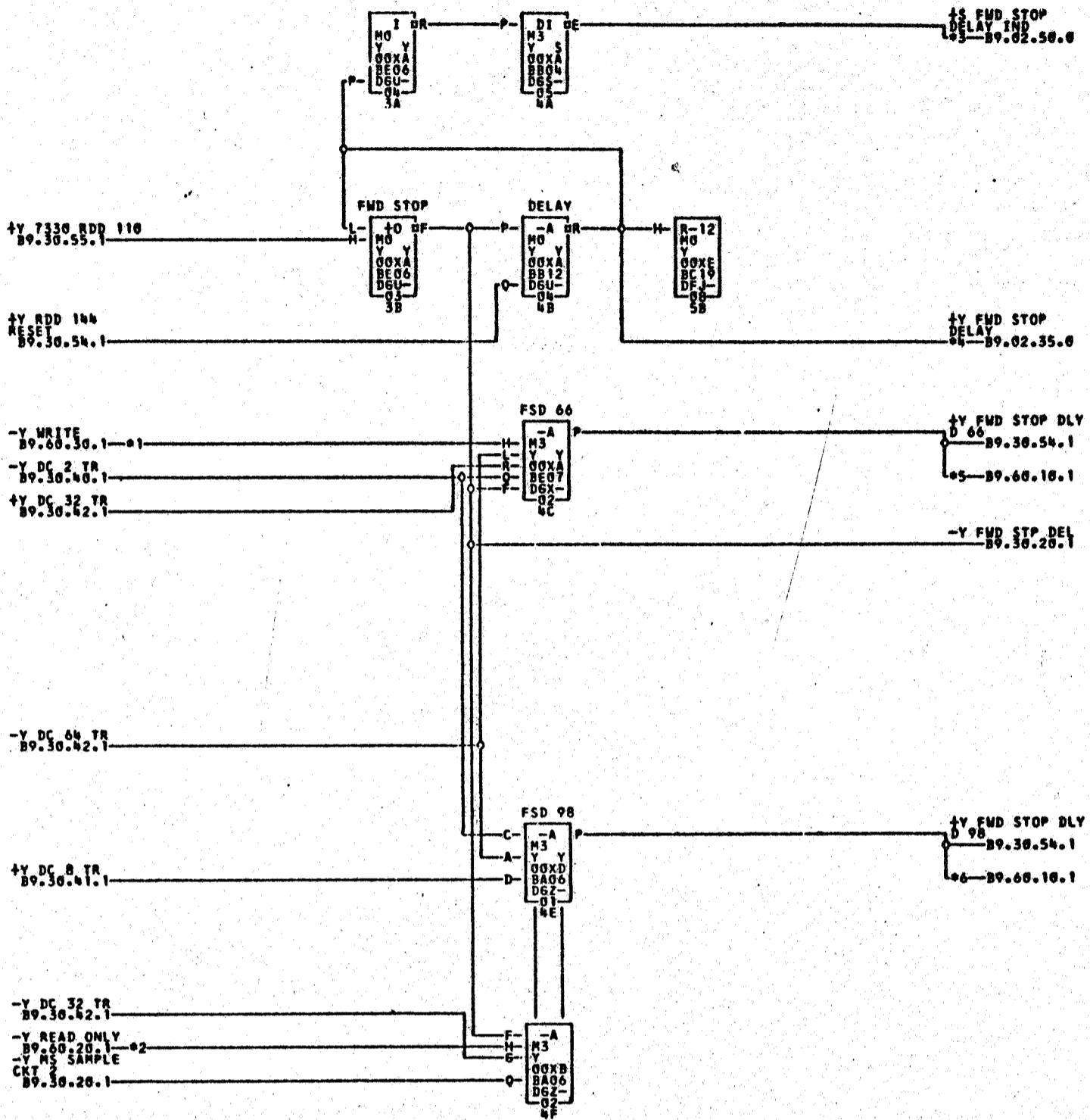
TAU 9

89.30.56.1

TAG DATE

D 14.12.62
TA 1678A

E 12.3.63
TA 1775



*1-00XBA01B

*2-00XBE01D

*3-00XBB02L

*4-00XBC02K

*5-00XED01K

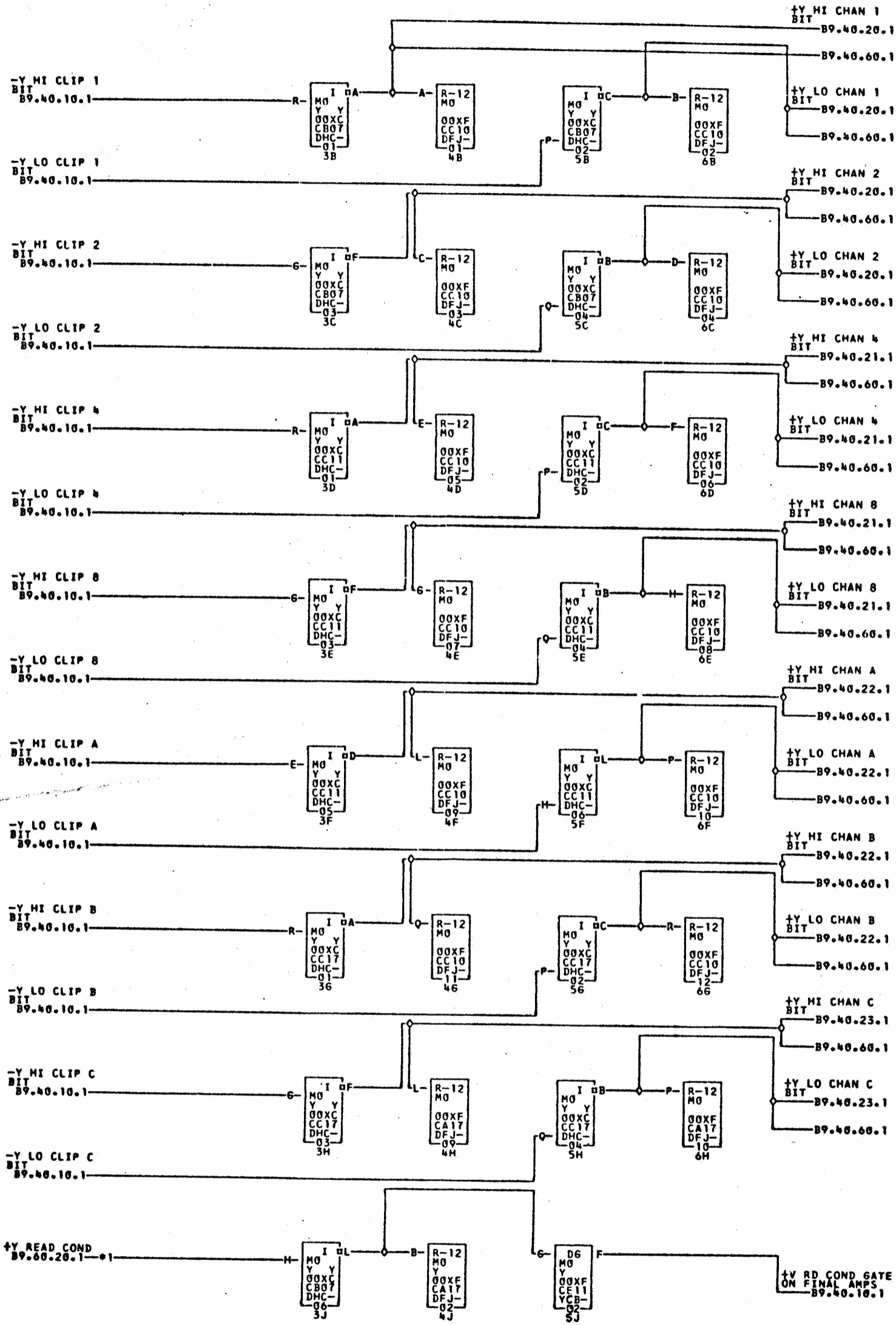
*6-00XBD01M

00XB 0283 1401
00XB 1404 1410

COMMENTS

TAG DATE	E.C.NO.	TAG DATE	E.C.NO.	TAG DATE	E.C.NO.	TAG DATE	E.C.NO.
A 11-30-61	113420	B 01-26-62	113840	C 05-15-62	115304	D 10-03-62	116234
E 12-13-62	116749C						

74775
805559



*I-00XC01P

1401 1410 COMMENTS
00XC 02B4 14D6

TAG DATE	E.C.NO.	TAG DATE	E.C.NO.	TAG DATE	E.C.NO.	TAG DATE	E.C.NO.
A 11-16-60	109350E	B 12-14-60	109355E	C 01-05-61	109364	D 01-23-61	109385
E 03-29-61	110435	F 12-14-62	116749D				

761264

0761265

REG A AND REG B 1 AND 2 BIT PSNS

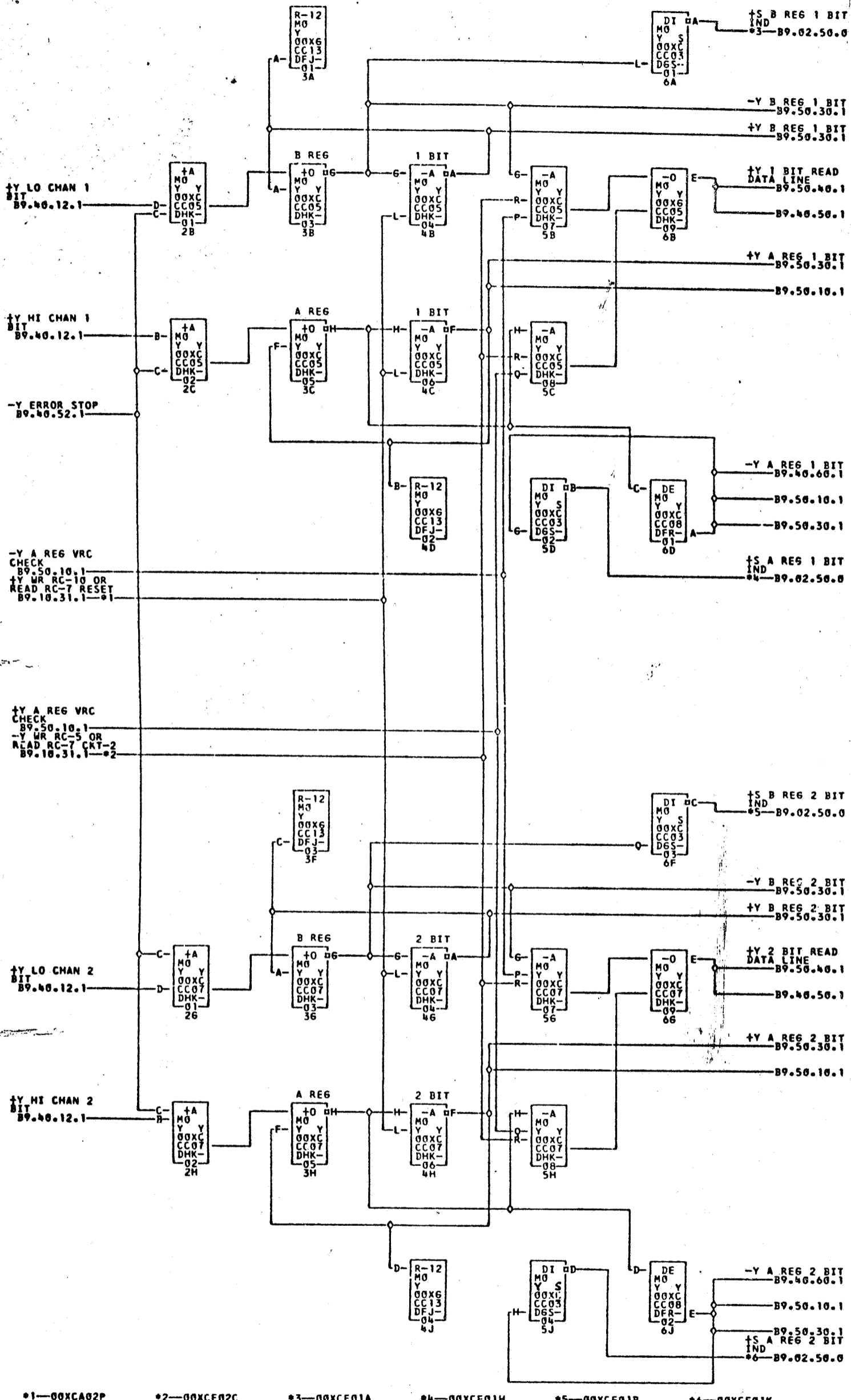
TAU 9

B9.40.20.1

TAG DATE

F 15.6.61
TA 37673A

G 12.3.63
TA 1775



*1-00XCA02P

*2-00XCE02C

*3-00XCE01A

*4-00XCE01H

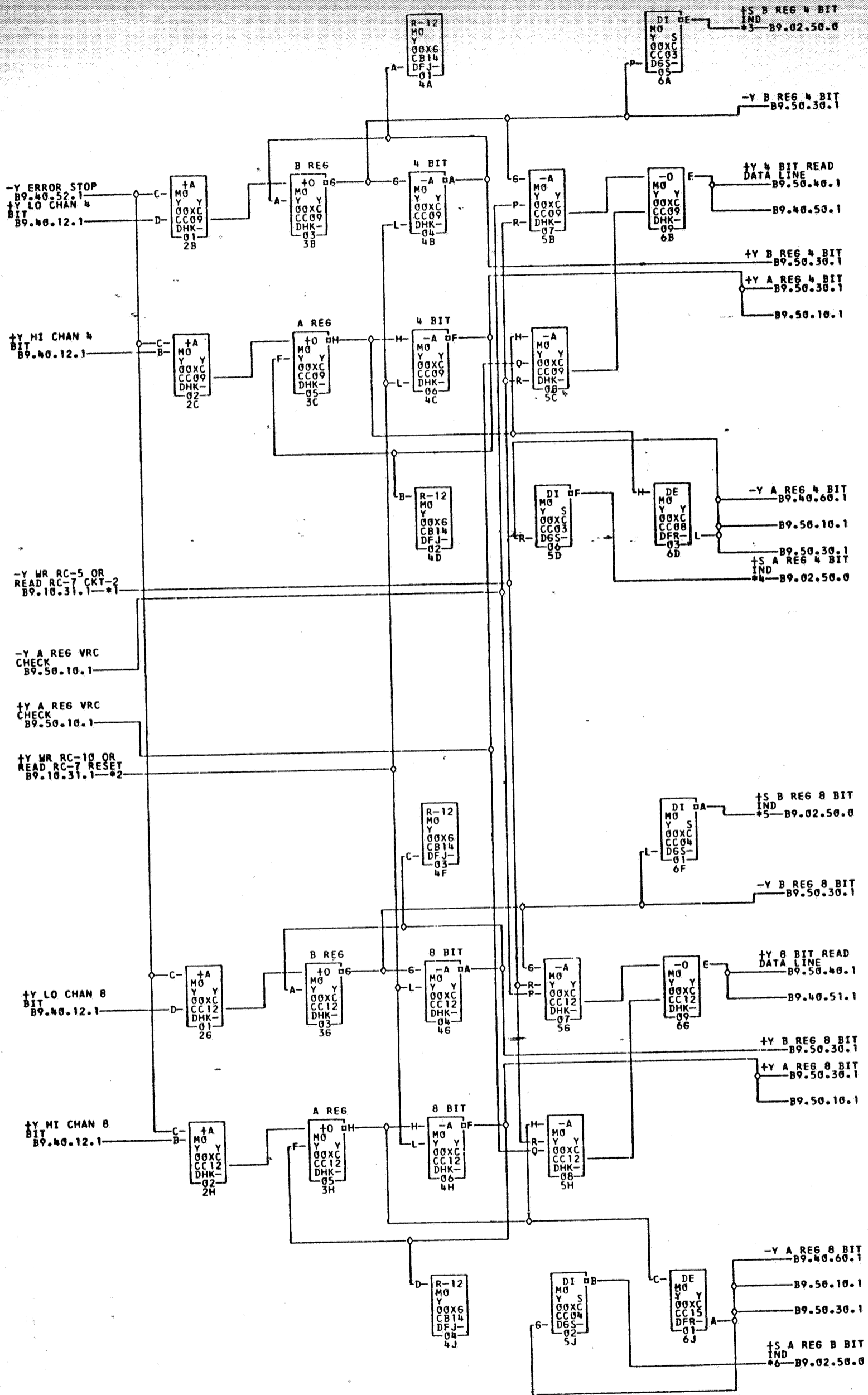
*5-00XCE01B

*6-00XCE01K

1491 1410 COMMENTS
00XC 02B4 14D6

TAG DATE	E.C.NO.	TAG DATE	E.C.NO.	TAG DATE	E.C.NO.	TAG DATE	E.C.NO.
A 11-16-60	109350F	B 12-14-60	109355	C 01-05-61	109364	D 01-23-61	109385
E 03-29-61	110435	F 04-12-61	110440	G 12-14-62	116749D		

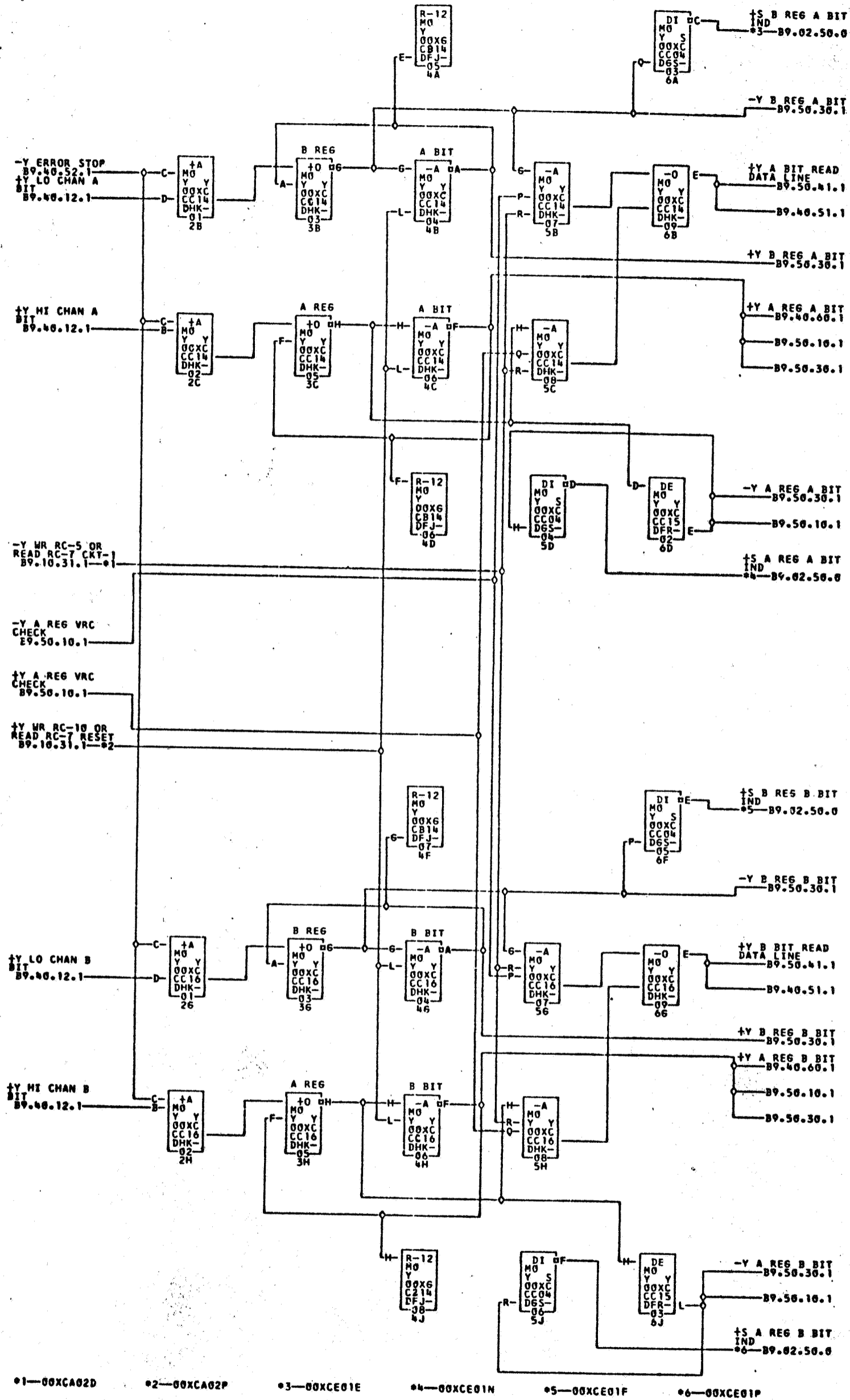
761265



- *1—00XC02C
- *2—00XCA02P
- *3—00XC01C
- *4—00XC01L
- *5—00XC01D
- *6—00XC01M

761266

COMMENTS		TAG DATE	E.C.NO.	TAG DATE	E.C.NO.	TAG DATE	E.C.NO.	TAG DATE	E.C.NO.
1401	1410	A 11-16-60	109350E	B 12-14-60	109355	C 01-05-61	109364	D 01-23-61	109385
00XC 02B4	14D6	E 03-29-61	110435	F 04-12-61	110440	G 12-14-62	116749D		



- *1-00XCA02D
- *2-00XCA02P
- *3-00XCE01E
- *4-00XCE01N
- *5-00XCE01F
- *6-00XCE01P

761267

COMMENTS
 1401 1410
 00XC 02B4 14D6

TAG DATE	E.C.NO.	TAG DATE	E.C.NO.	TAG DATE	E.C.NO.	TAG DATE	E.C.NO.
A 11-16-60	109350E	B 12-14-60	109355	C 01-05-61	109364	D 01-23-61	109385
E 03-29-61	110435	F 04-12-61	110440	G 12-14-62	116749D		

0761268

REG A AND REG B C BIT PSN

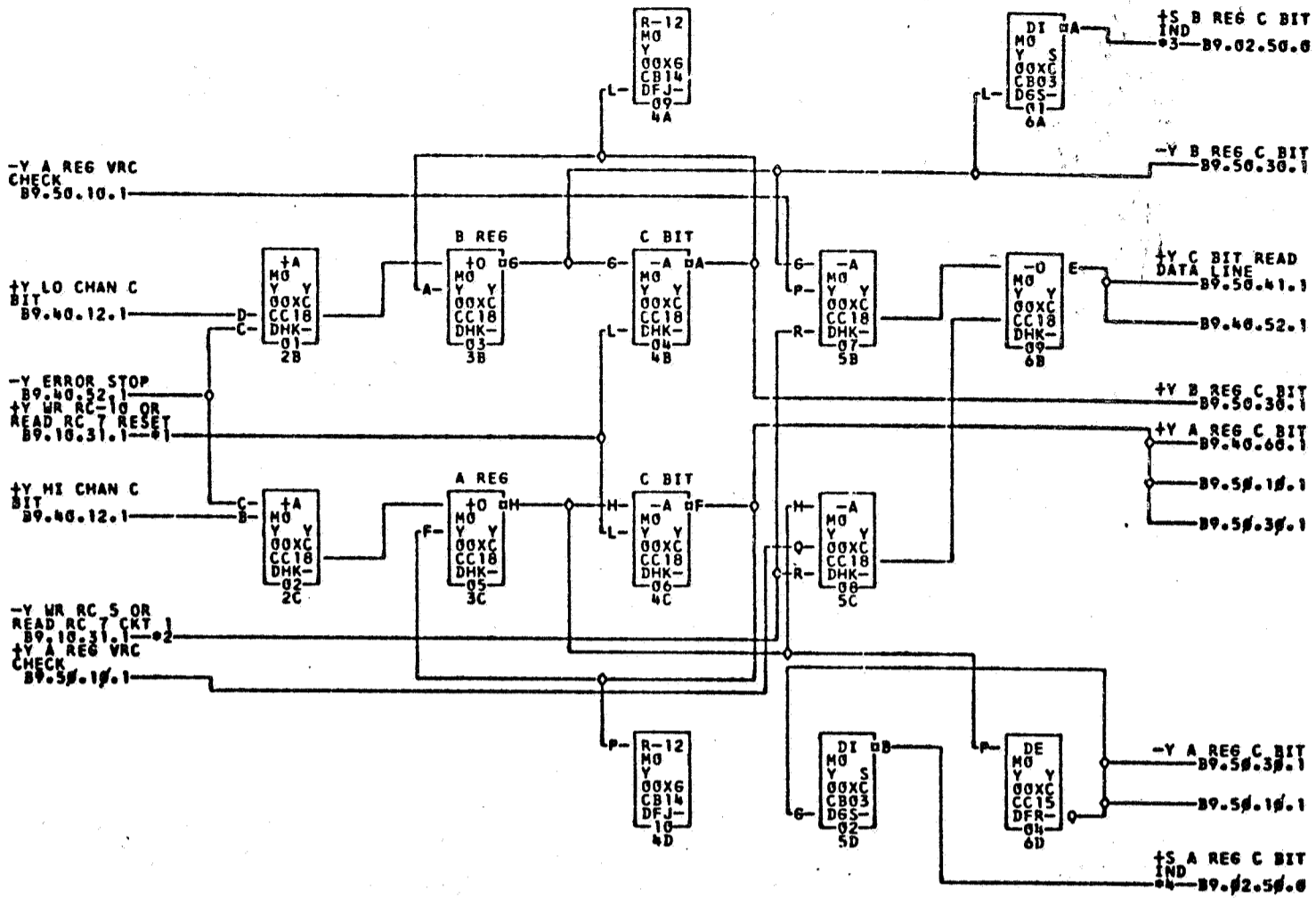
TAU 9

89.40.23.1

TAG DATE

F 15.6.61
TA 37673A

G 12.3.63
TA 1775



*1-00XCA02P

*2-00XCA02D

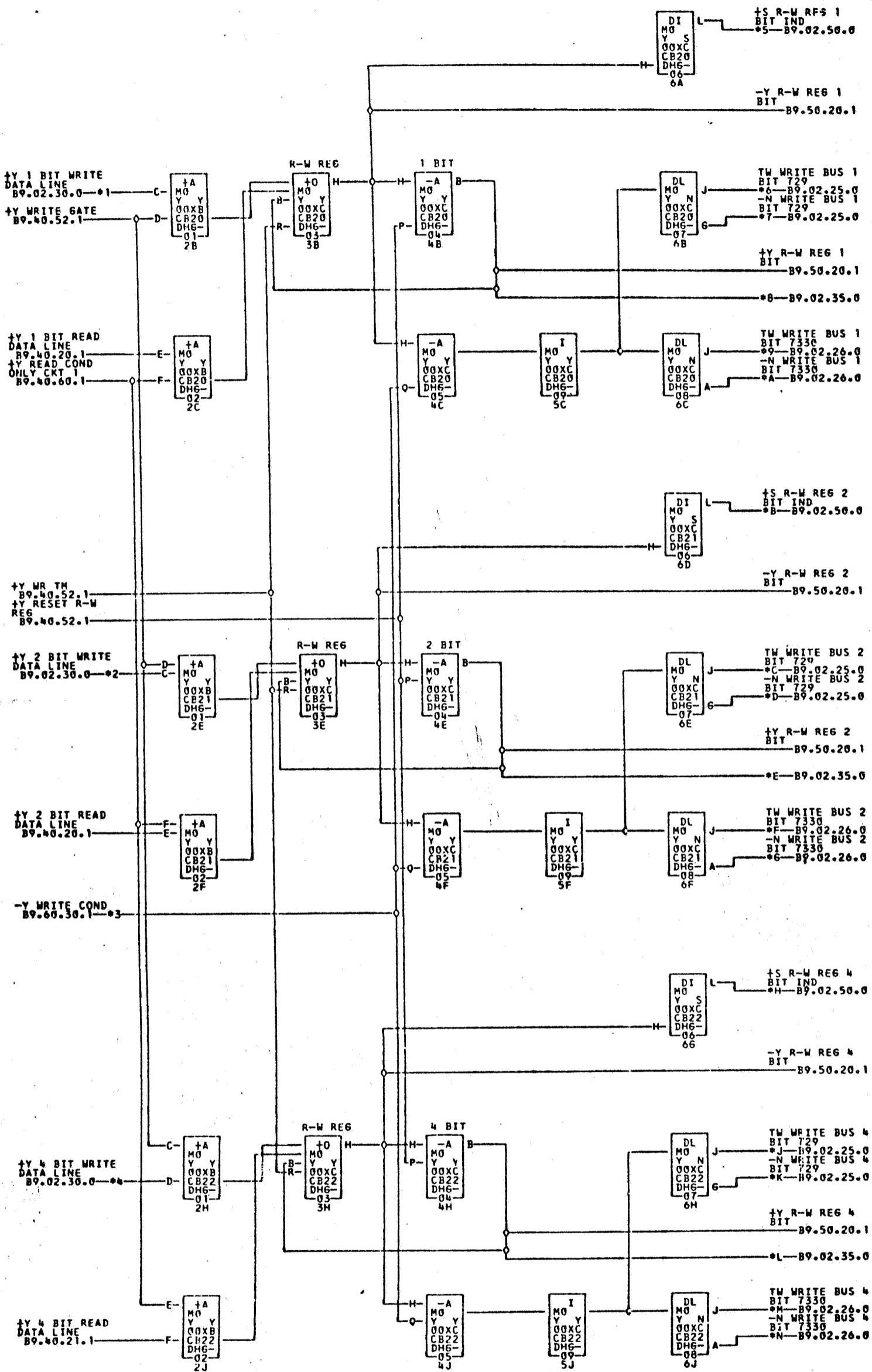
*3-00XCE016

*4-00XCE01Q

COMMENTS
 00XC 1401 1410
 02B4 1406

TAG DATE	E.C.NO.	TAG DATE	E.C.NO.	TAG DATE	E.C.NO.	TAG DATE	E.C.NO.
A 11-16-60	109350E	B 12-14-60	109355	C 01-05-61	109364	D 01-23-61	109385
E 03-29-61	110435	F 04-12-61	110440	G 12-14-62	116749D		

761268



*1-00XCBO2A
*7-00XCDO2B
*D-00XCDO2D
*K-00XCDO2F

*2-00XCBO2B
*8-00XCBO1A
*E-00XCBO1B
*L-00XCBO1C

*3-00XCBO2F
*9-00XCDO1A
*F-00XCDO1C
*M-00XCDO1E

*4-00XCBO2C
*A-00XCDO1B
*6-00XCDO1D
*N-00XCDO1F

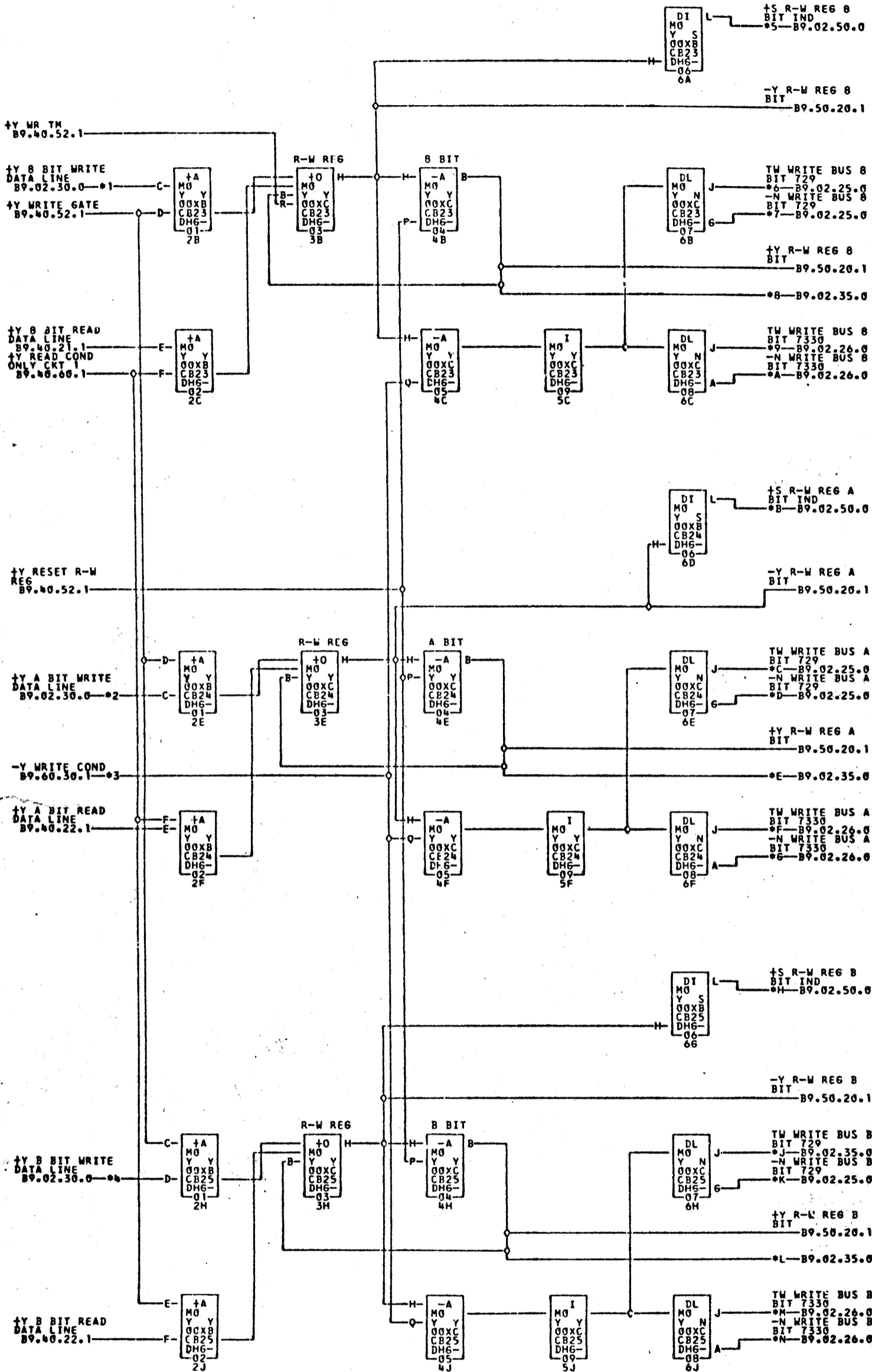
*5-00XCA01A
*B-00XCA01B
*H-00XCA01C

*6-00XCDO2A
*C-00XCDO2C
*J-00XCDO2E

761269

1401 1410 COMMENTS
00XC 02B4 14D6

TAG DATE E.C.NO. TAG DATE E.C.NO. TAG DATE E.C.NO. TAG DATE E.C.NO.
A 11-16-60 109350E B 01-05-61 109364 C 01-23-61 109385 D 12-14-62 116749D



- *1—00XC02D
- *2—00XC02E
- *3—00XC02F
- *4—00XC02F
- *5—00XC01D
- *6—00XC02G
- *7—00XC02H
- *8—00XC01D
- *9—00XC01G
- *A—00XC01H
- *B—00XC01E
- *C—00XC02J
- *D—00XC02K
- *E—00XC01E
- *F—00XC01J
- *G—00XC01K
- *H—00XC01F
- *I—00XC01M
- *J—00XC02L
- *K—00XC02M
- *L—00XC01F
- *M—00XC01L
- *N—00XC01M

COMMENTS

1401 1410
00XC 02B4 14D6

TAG DATE	E.C.NO.	TAG DATE	E.C.NO.	TAG DATE	E.C.NO.	TAG DATE	E.C.NO.
A 11-16-60	109350E	B 01-05-61	109364	C 01-23-61	109385	D 12-14-62	116749D

761270

0761271

R-W REGISTER BIT POSITION

TAU 9

B9.40.52.1

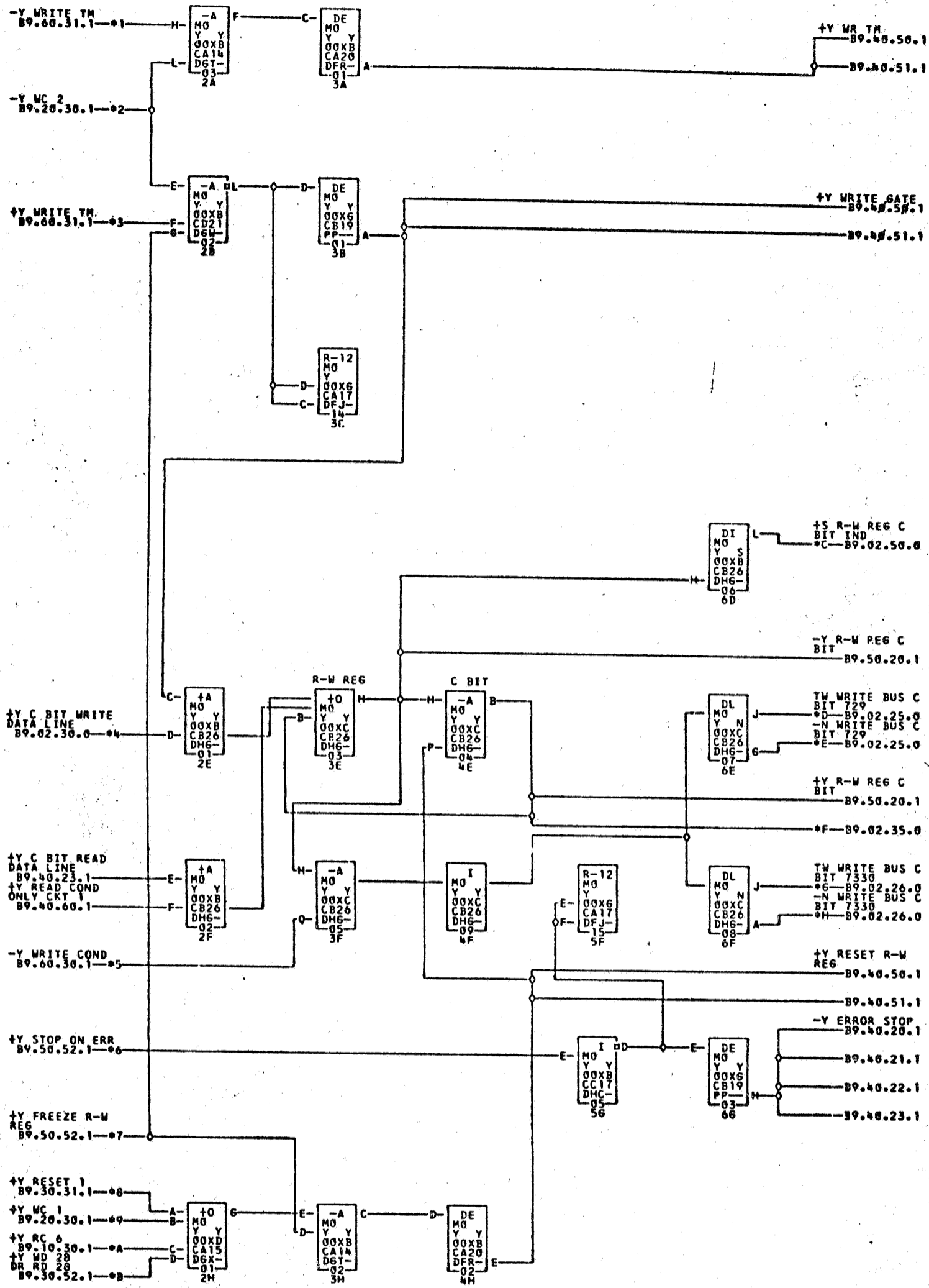
TAG DATE

F 26.7.61

TA 37705A

G 12.3.63

TA 1775



- *1-00XCC02A
- *2-00XCA020
- *3-00XCC02C
- *4-00XCB026
- *5-00XCC02F
- *6-00XCC010
- *7-00XCC02D
- *8-00XCA02B
- *9-00XCA02H
- *A-00XCA02N
- *B-00XCE02E
- *C-00XCA018
- *D-00XCD02H
- *E-00XCD02P
- *F-00XCB016
- *G-00XCB026
- *H-00XCD01N

1401 1410 COMMENTS
00XC 02B4 14D6

TAG DATE	E.C.NO.	TAG DATE	E.C.NO.	TAG DATE	E.C.NO.	TAG DATE	E.C.NO.
A 11-16-60	109350E	B 01-05-61	109364	C 01-23-61	109385	D 03-29-61	110435
E 05-09-61	110444	F 05-23-61	110447	G 12-14-62	110749D		

761271

0761272

READ RECOGNITION

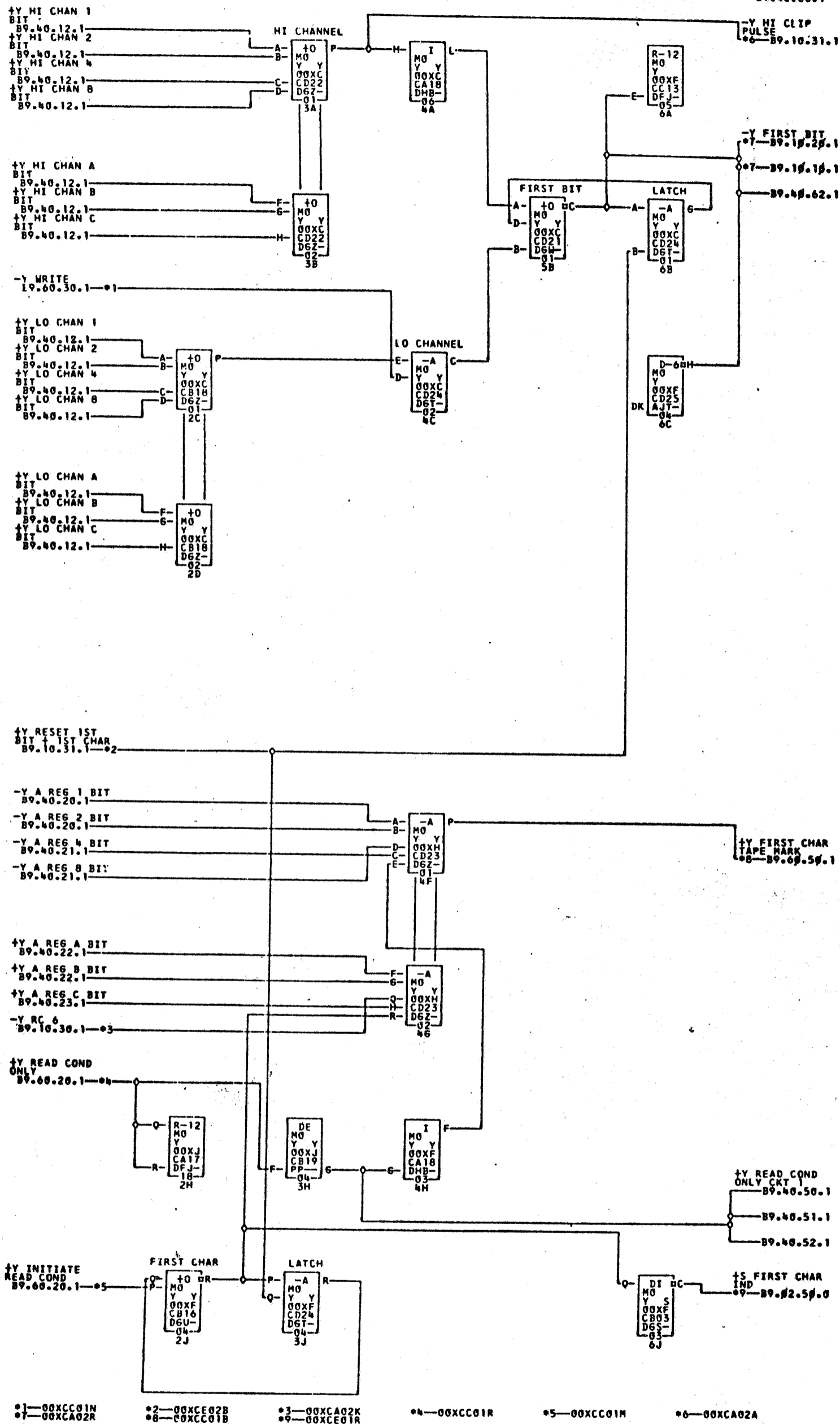
TAU 9

B9.40.60.1

TAG FDATE

H 17.10.61
TA 37927A

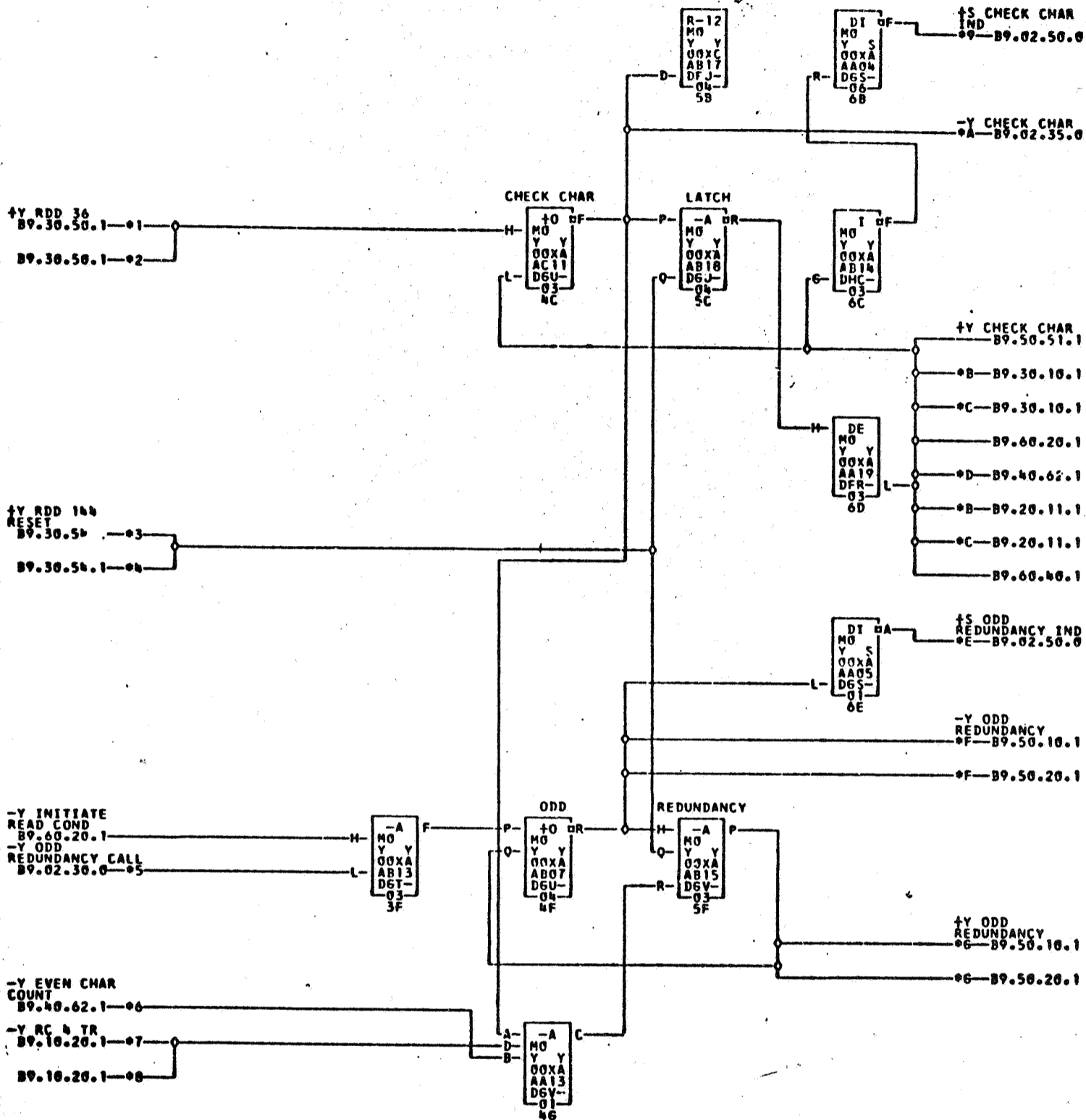
J 12.3.63
TA 1775



- *1-00XC01N
- *2-00XC02B
- *3-00XC02K
- *4-00XC01R
- *5-00XC01M
- *6-00XC02A
- *7-00XC02R
- *8-00XC01B
- *9-00XC01R

761272

1401	1410	COMMENTS	TAG DATE	E.C.NO.	TAG DATE	E.C.NO.	TAG DATE	E.C.NO.	TAG DATE	E.C.NO.
00XC 02B4	1406		A 11-10-60	109350E	B 12-14-60	109355	C 01-05-61	109364	D 03-29-61	110435
			E 04-12-61	110440	F 05-09-61	110444	G 06-14-61	110448	H 08-04-61	112226
			J 12-14-62	116749D						



*1-00XAC01M
*7-00XAE02M
*D-00XAF01K

*2-00XAC26M
*H-00XAE26M
*I-00XAA02B

*3-00XAC01M
*9-00XAA02A
*F-00XAF01H

*4-00XAC26M
*A-00XAC02G
*G-00XAF01G

*5-00XAC02L
*B-00XAA01R

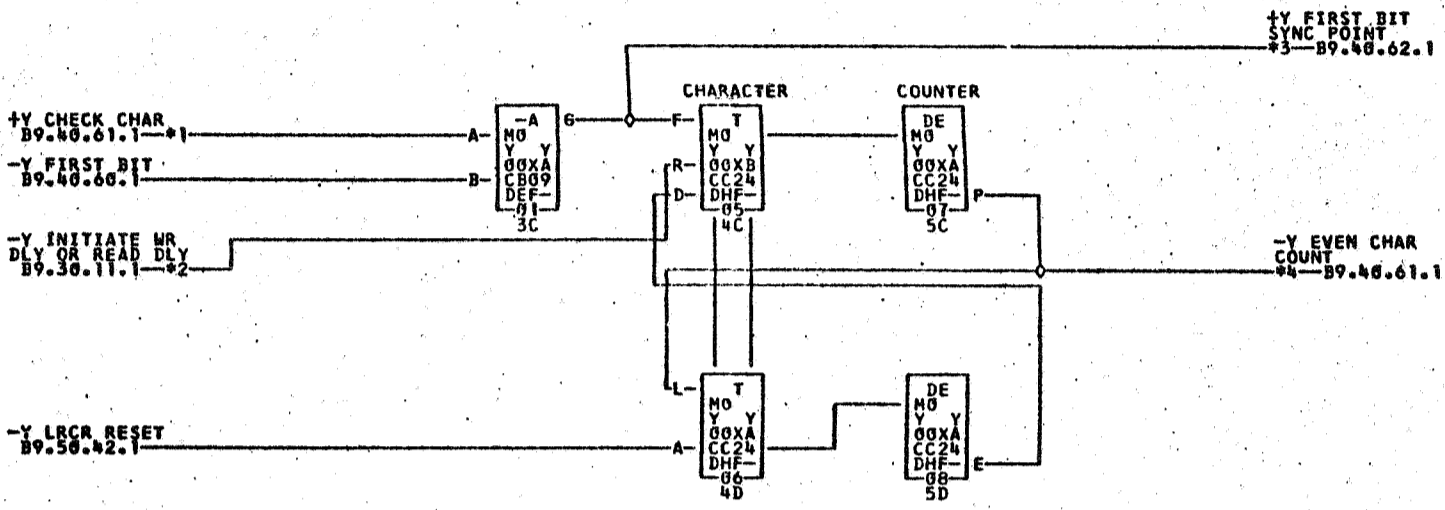
*6-00XAF01L
*C-00XAA26R

729197

COMMENTS

TAG DATE E.C.NO. TAG DATE E.C.NO. TAG DATE E.C.NO. TAG DATE E.C.NO.
A 01-26-62 113849 B 10-03-62 114046 C 12-13-62 116179

00XA 02B2 1501
00XA 16D3 1410



*1—00XCC01K

*2—00XCE02H

*3—00XC096

*4—00XCC01L

0000 1000 0000

COMMENTS

TAG DATE E.C.NO. A 06-04-61 112226

TAG DATE E.C.NO. B 12-14-62 1167495

TAG DATE E.C.NO.

TAG DATE E.C.NO.

723489
1775

0761273

READ A REG VRC

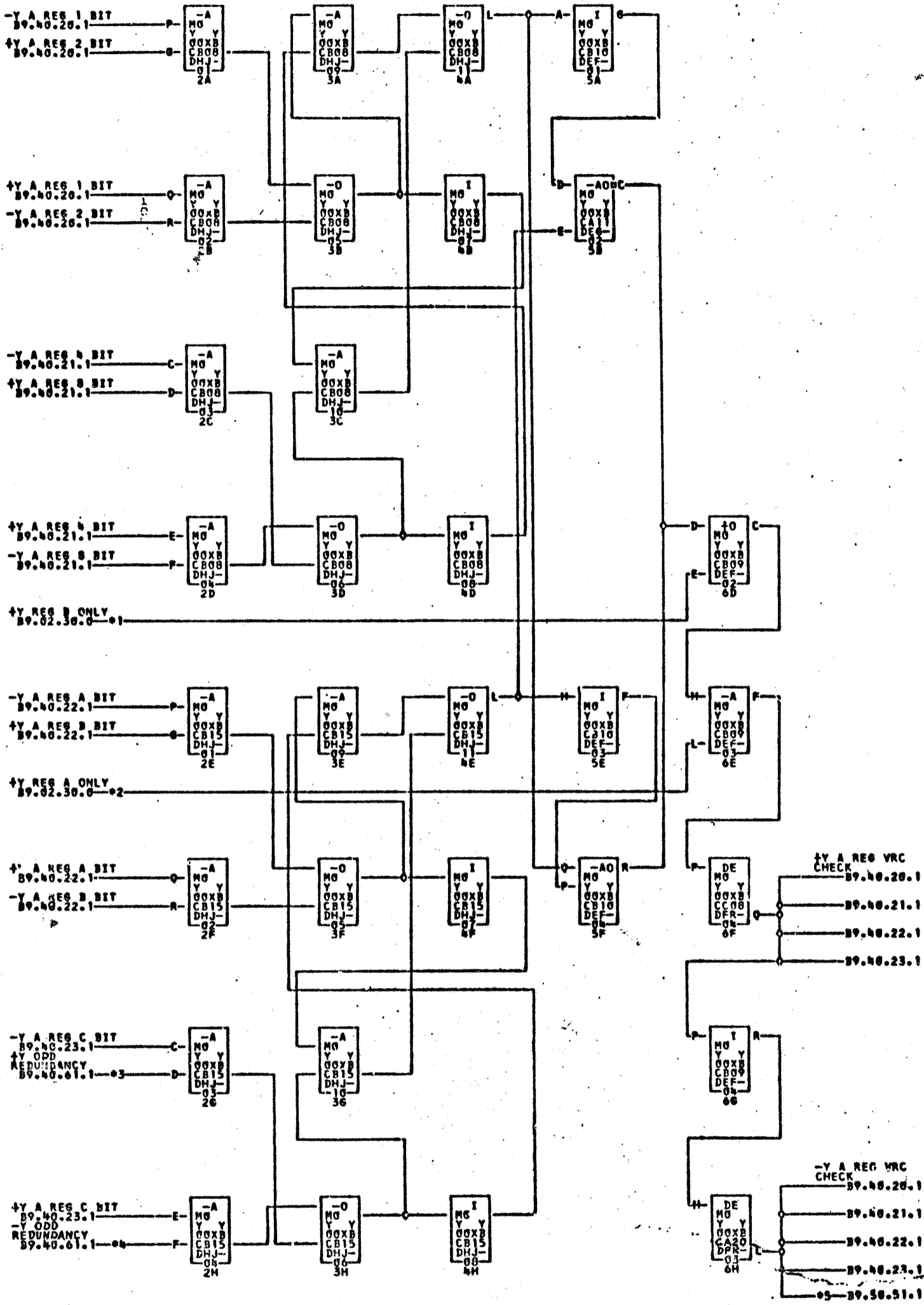
TAU 9

89.50.10.1

TAG DATE

D 15.6.61
TA 37873A

E 12.3.63
TA 1775



*1-00XC00K

*2-00XC00L

*3-00XC00M

*4-00XC00N

*5-00XC00D

NO	DATE	COMMENTS
1401	1410	
00XC 0204	1408	

TAG DATE	E.C. NO.	TAG DATE	E.C. NO.	TAG DATE	E.C. NO.	TAG DATE	E.C. NO.
A 11-10-60	109350E	D 01-05-61	109364	C 01-23-61	109385	D 04-12-61	118440
E 12-14-62	116749D						

761273 R

0761274

READ WRITE VRC

TAU 9.

B9.50.20.1

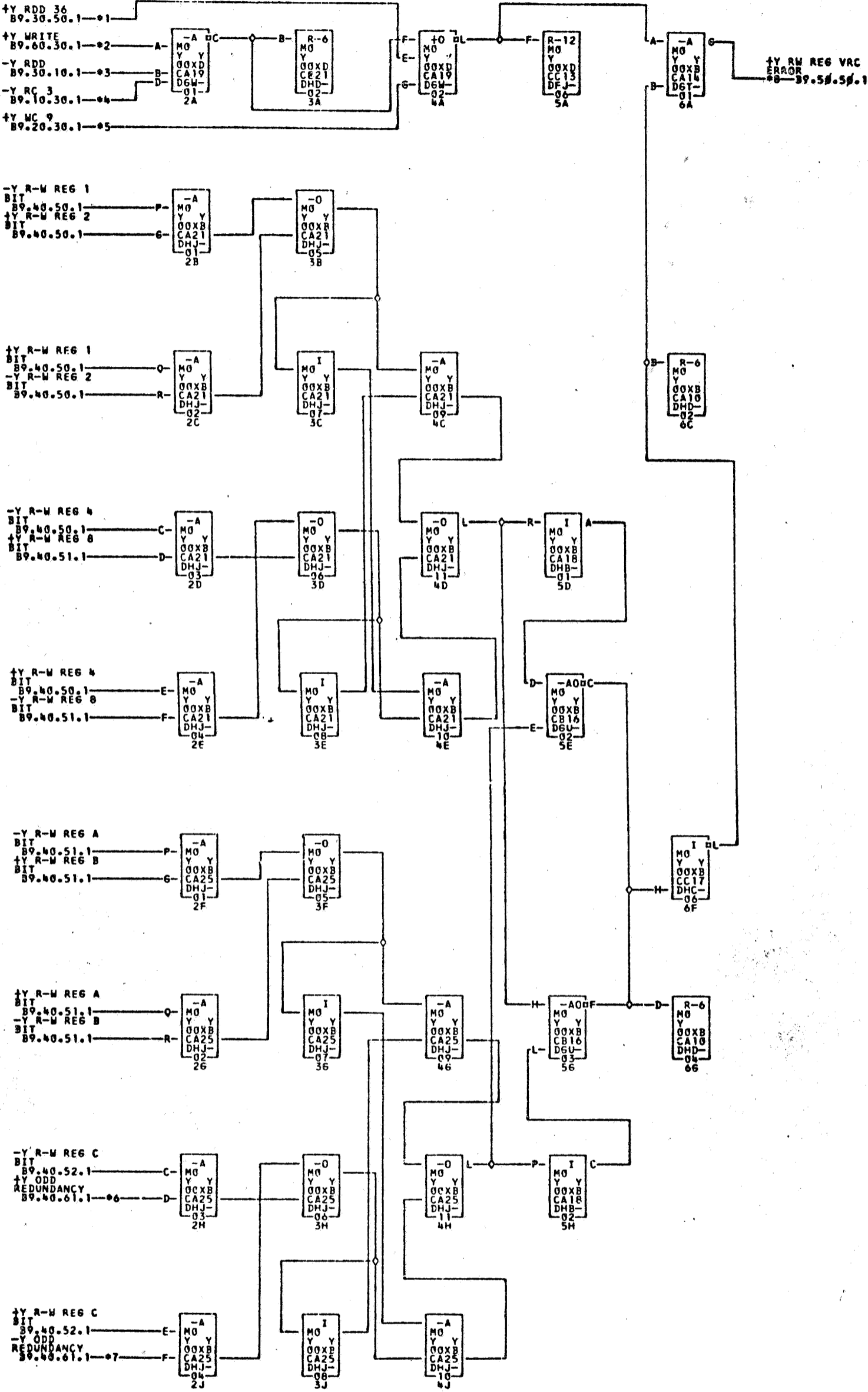
TAG DATE

D 26.7.51

TA 37705A

E 12.3.63

TA 1775

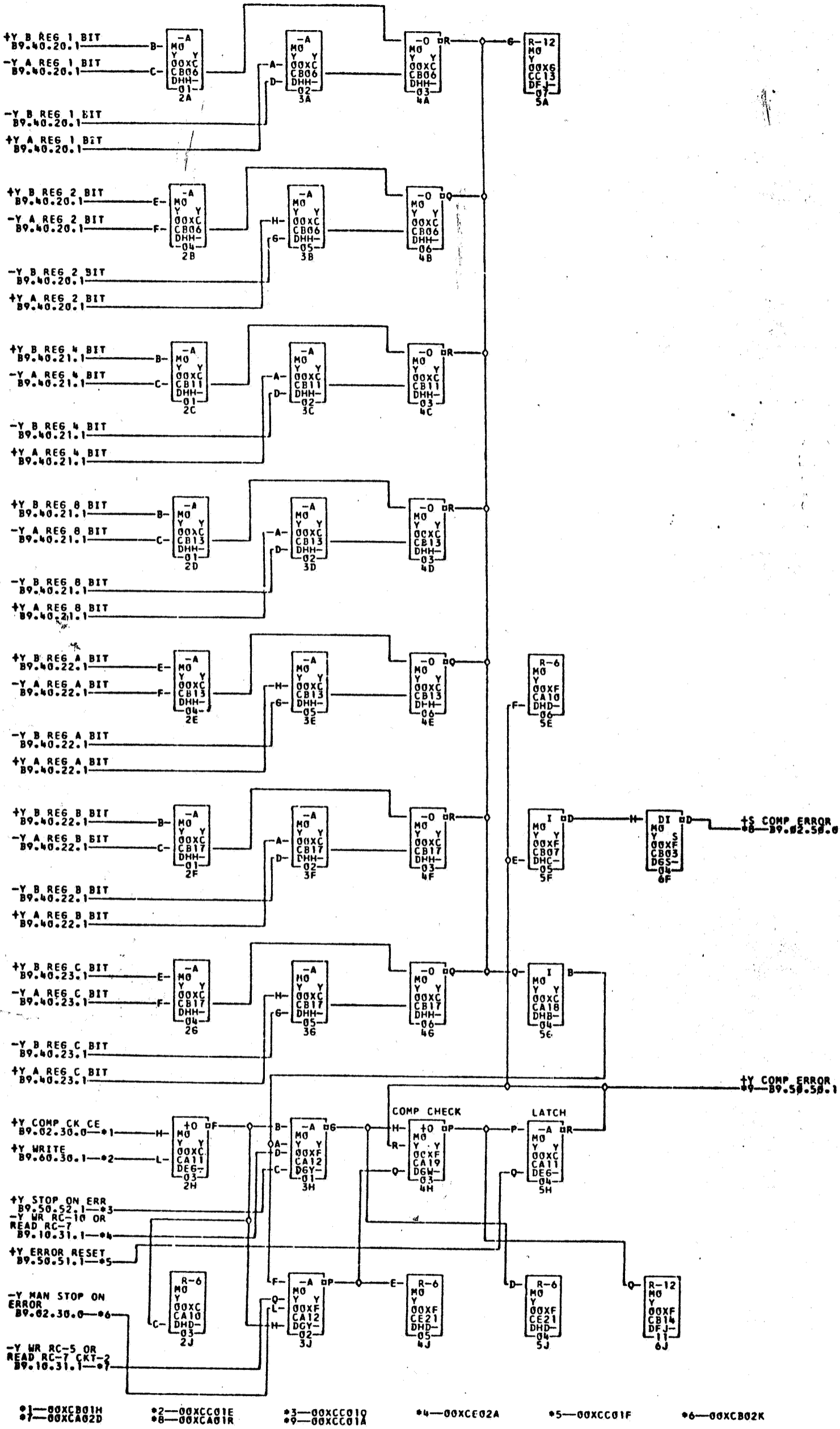


- *1-00XCA026
- *2-00XCC01E
- *3-00XCA02E
- *4-00XCA02F
- *5-00XCA02H
- *6-00XCC016

701274

COMMENTS
 00XC 1401 1410
 0284 1406

TAG DATE	E.C.NO.	TAG DATE	E.C.NO.	TAG DATE	E.C.NO.	TAG DATE	E.C.NO.
A 11-16-60	109350E	B 01-05-61	109334	C 04-12-61	110440	D 05-09-61	110444
E 12-14-62	116749D						



- *1-00XC01H *2-00XC01E *3-00XC010 *4-00XC02A *5-00XC01F *6-00XC02K
- *7-00XCA02D *8-00XCA01R

NO.	DATE	COMMENTS	NO.	DATE	COMMENTS	NO.	DATE	COMMENTS	NO.	DATE	COMMENTS
1401	1410		A	11-16-60	109350E	B	12-14-60	109355	C	01-05-61	109364
00XC 02B4	14D6		E	04-12-61	110440	F	05-09-61	110444	G	06-14-61	110448
									D	03-29-61	110435
									H	12-14-62	116749D

761275

6761276

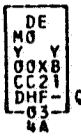
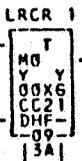
LRCR REG PSNS 1 2 4 AND 8 BITS

TAU 9

B9.50.40.1

TAG DATE

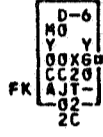
+Y 1 BIT READ
DATA LINE
B9.40.20.1



+Y LRCR 1 BIT
B9.50.42.1
-Y LRCR 1 BIT
B9.50.42.1

+S LRCR 1 BIT
IND
L02-B9.02.50.0

+Y 2 BIT READ
DATA LINE
B9.40.20.1

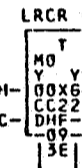
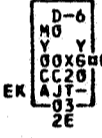


+Y LRCR 2 BIT
B9.50.42.1
-Y LRCR 2 BIT
B9.50.42.1

+S LRCR 2 BIT
IND
L03-B9.02.50.0

-Y LRCR RESET
B9.50.42.1

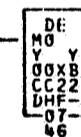
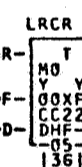
-Y INITIATE MR
DLY OR READ DLY
B9.50.11.1-01
+Y 4 BIT READ
DATA LINE
B9.40.21.1



+Y LRCR 4 BIT
B9.50.42.1
-Y LRCR 4 BIT
B9.50.42.1

+S LRCR 4 BIT
IND
L04-B9.02.50.0

+Y 8 BIT READ
DATA LINE
B9.40.21.1



+Y LRCR 8 BIT
B9.50.42.1
-Y LRCR 8 BIT
B9.50.42.1

+S LRCR 8 BIT
IND
L05-B9.02.50.0

*1-00XCE02H

*2-00XCA01H

*3-00XCA01K

*4-00XCA01L

*5-00XCA01H

1501 1410 COMMENTS
00XC 0204 1406

TAG DATE E.C.NO. TAG DATE E.C.NO. TAG DATE E.C.NO. TAG DATE E.C.NO.
A 11-16-60 109350E B 01-05-61 109364 C 01-23-61 109385 D 04-12-61 110460
E 05-23-61 110447 F 08-04-61 112226 G 12-14-62 116749D

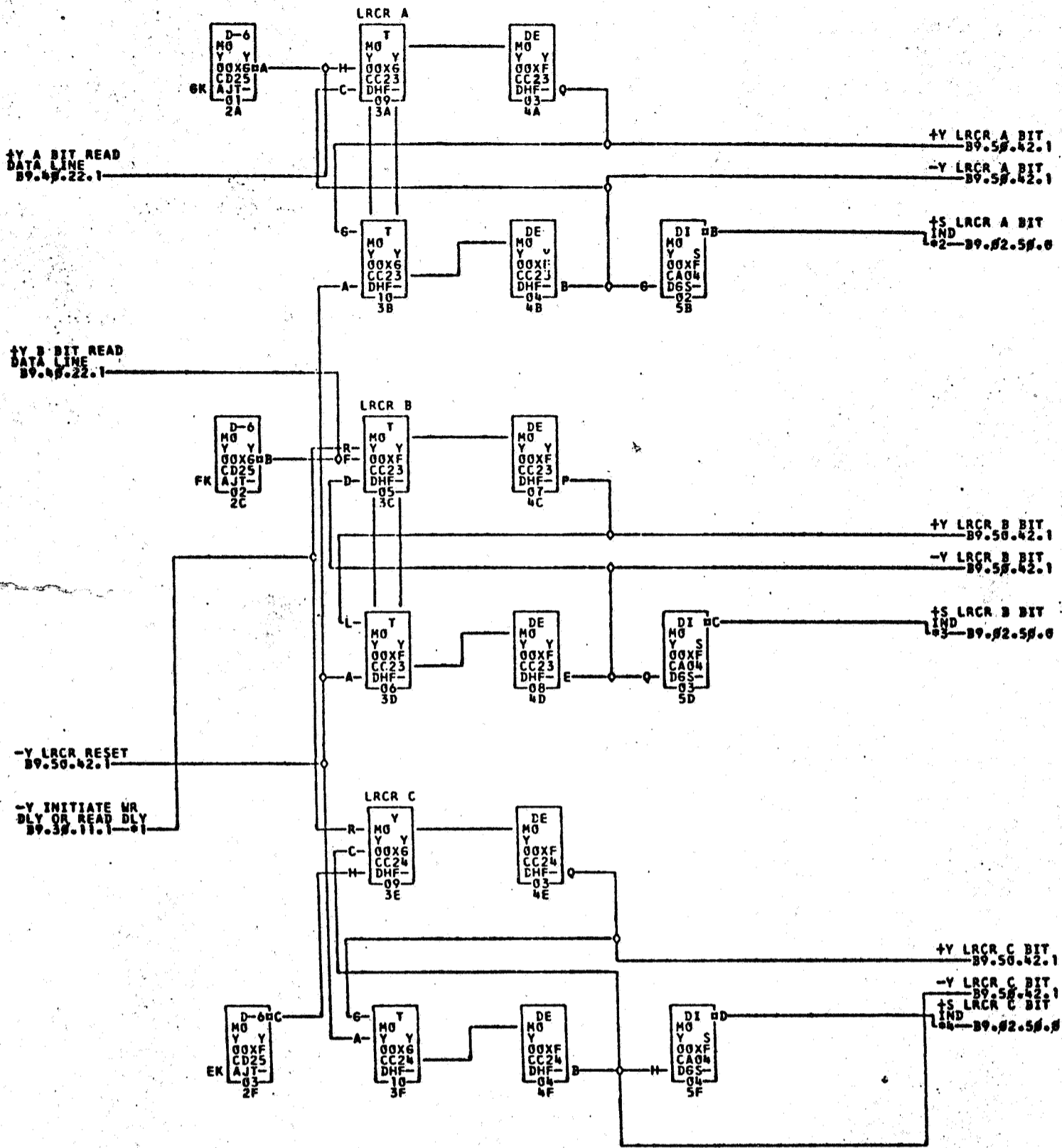
761276

F 17.10.61

TA 37927A

G 12.3.63

TA 1775



*1-00XCE02H

*2-00XCA01N

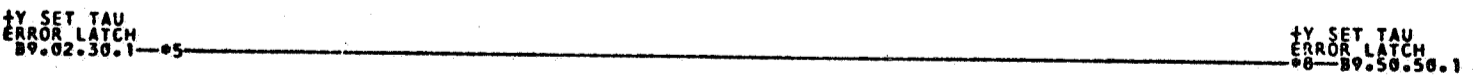
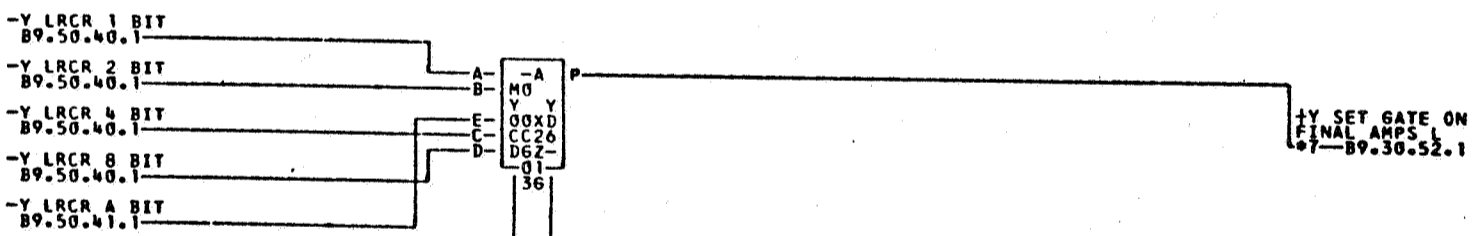
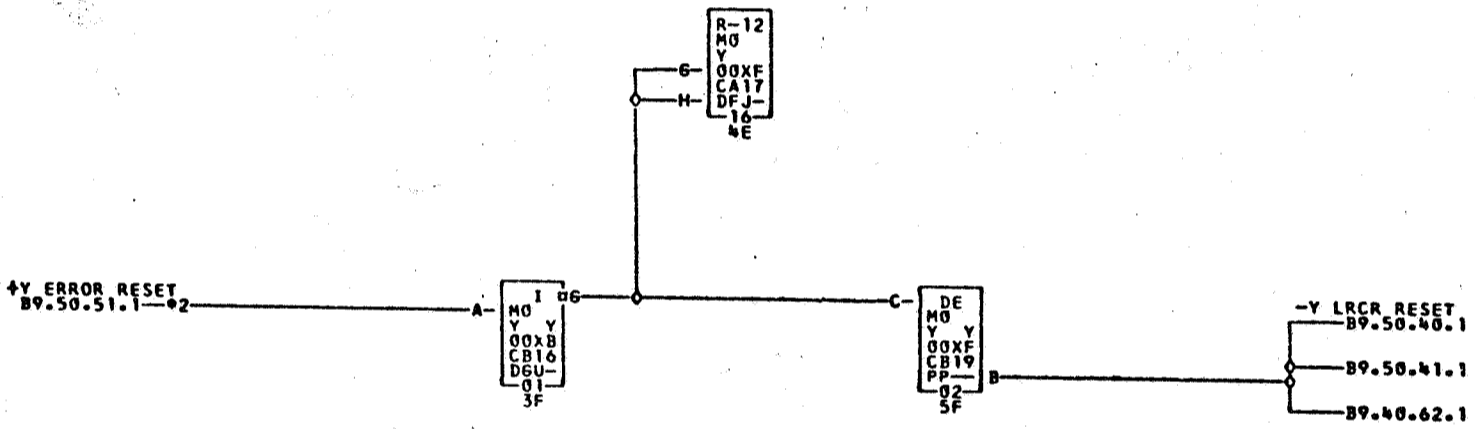
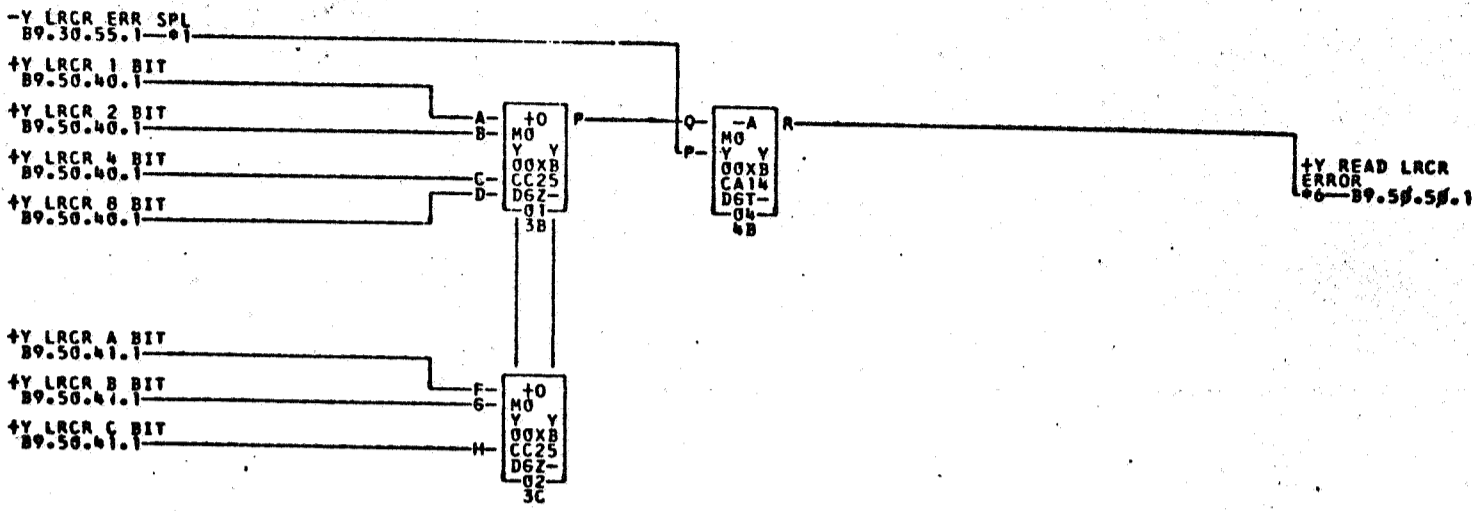
*3-00XCA01P

*4-00XCA01Q

761277

COMMENTS
 1461 1410
 00XC 0205 1406

TAG DATE	E.C.NO.	TAG DATE	E.C.NO.	TAG DATE	E.C.NO.	TAG DATE	E.C.NO.
A 11-10-60	109350E	B 01-05-61	109304	C 01-23-61	109385D	D 04-12-61	110440
E 05-23-61	110487	F 06-04-61	112226	G 12-15-62	110769D		



- *1—00XCA02C
- *2—00XCC01F
- *3—00XCC02H
- *4—00XCE02F
- *5—00XCB01H
- *6—00XCC02B

COMMENTS		TAG DATE	E.C.NO.	TAG DATE	E.C.NO.	TAG DATE	E.C.NO.	TAG DATE	E.C.NO.
00XC	02B4	1401	1410	A 11-16-60	109350E	B 01-05-61	109364H	C 04-12-61	110440
				E 06-25-62	114152	F 12-14-62	116789D	D 08-04-61	112226

761278

729198

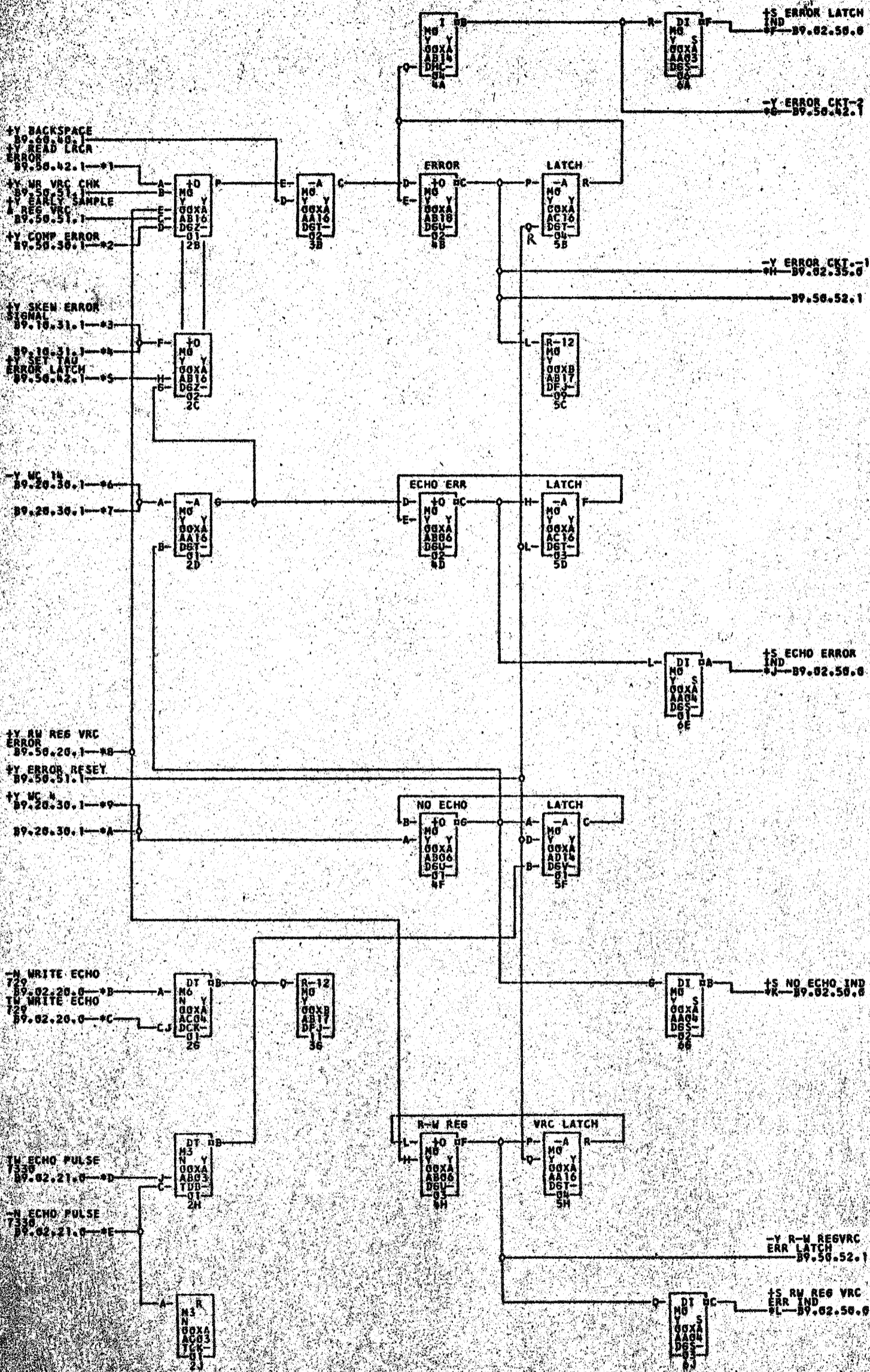
ERROR TRIGGERS

TAU 9

89.50.50.1

TAG DATE

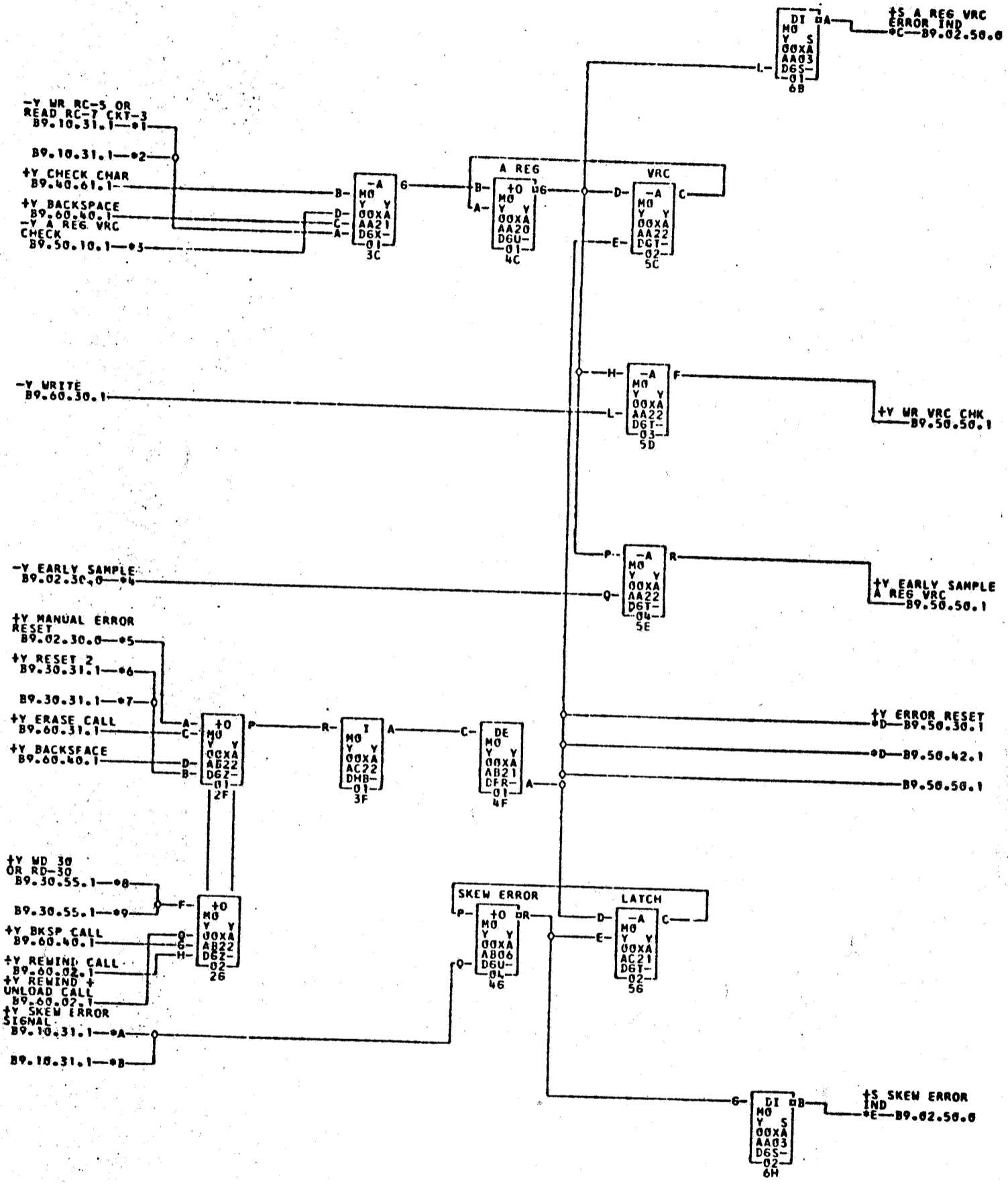
A 4.5.62
TA 1233E
B 16.4.63
TA 1815A



- *1-00XAD038
- *2-00XAF01A
- *3-00XAD01C
- *4-00XAD26C
- *5-00XAD03K
- *6-00XAC010
- *7-00XAF010
- *8-00XAF01C
- *9-00XAC018
- *A-00XAC20R
- *B-00XAF04R
- *C-00XAF04J
- *D-00XAF03J
- *E-00XAF03K
- *F-00XAA02C
- *G-00XAD03H
- *H-00XAC02H
- *I-00XAF04J
- *J-00XAA02D

COMMENTS: 00XA 0202 100
 TAG DATE: A 01-24-62 FIC NO: 113040
 TAG DATE: B 12-11-62 FIC NO: 116170
 TAG DATE: C 06-10-62 FIC NO: 116170
 TAG DATE: D 06-10-62 FIC NO: 116170

729198



- *1-00XAD01B *2-00XAD26B *3-00XAF01D *4-00XAD02L *5-00XAD02M *6-00XAC01P
- *7-00XAC26P *8-00XAF02B *9-00XAE26B *A-00XAD01C *B-00XAD26C *C-00XAA026
- *D-00XAF01F *E-00XAA02H

729199

00XA 0282 1601
00XA 14D3 1610 COMMENTS

TAG DATE	E.C.NO.	TAG DATE	E.C.NO.	TAG DATE	E.C.NO.	TAG DATE	E.C.NO.
A 01-26-62	113840	B 03-21-62	114617	C 12-13-62	114179		

0729200

ERROR STOP

TAB 9

89.50.52.1

TAG DATE

A 4.5.82
TA 1233E

B 16.4.83

TA1815A

-Y MAN STOP ON
ERR
89.02.30.0-1

-Y ERROR CBT-1
89.50.50.1



+Y STOP ON ERR
82-89.40.52.1

82-89.50.30.1

89.60.02.1

89.60.28.1

83-89.10.31.1

84-89.10.31.1

+Y FREEZE R-W
SEG
85-89.40.52.1



-Y R-W VRC ERR
LATCH
89.50.50.1

01-00XAD02P

02-00XAF01Q

03-00XAE20R

04-00XAF02R

05-00XAD03D

729200

0000 0000 1000

COMMENTS

DATE 01-01-82

DATE 10-12-82

DATE 01-01-83

DATE 01-01-83



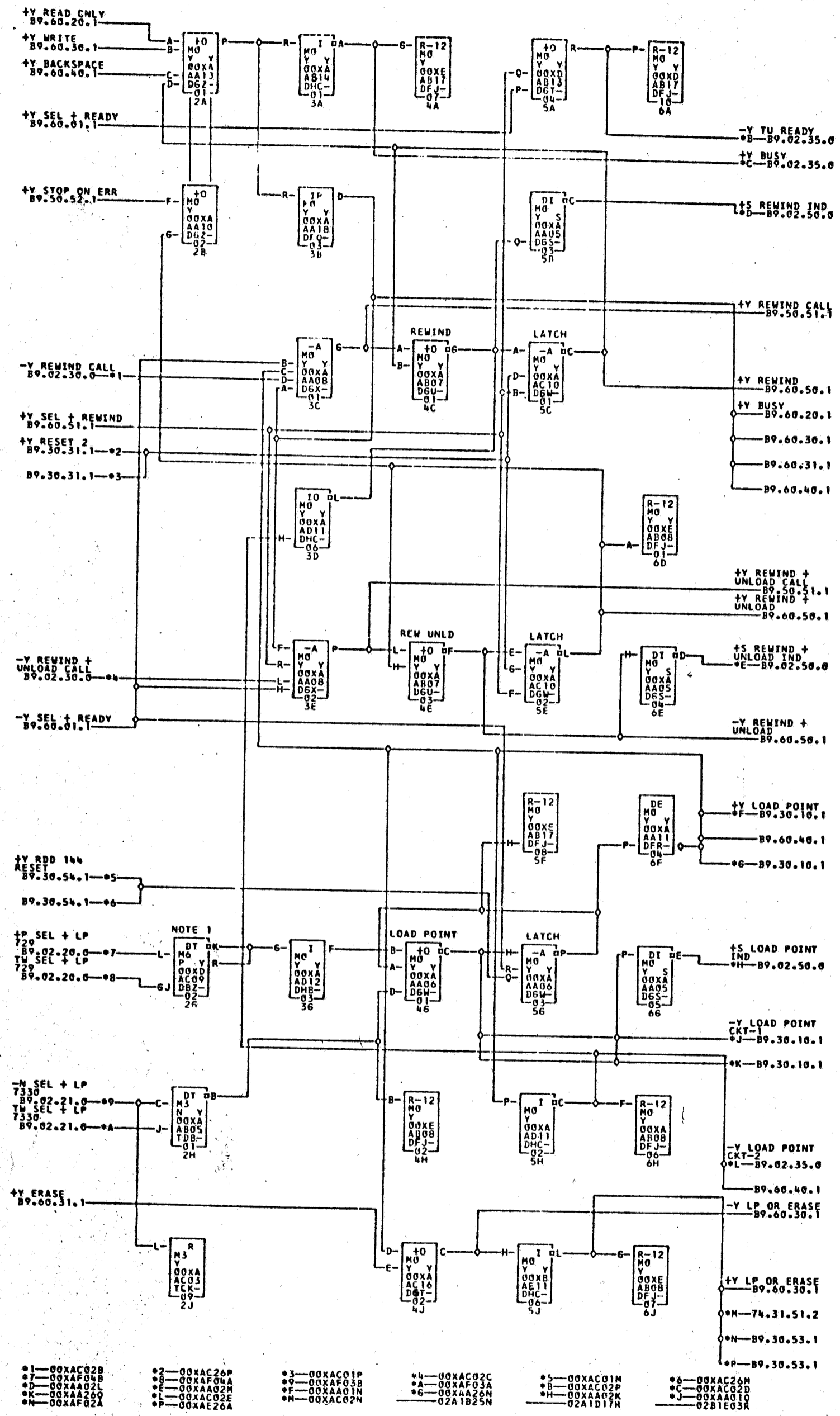
0729202

LP PT + BUSY + REWIND+REWIND UNLD

TAU 9

B9.60.02.1

TAG DATE



D 7.2.63
 TA 1713A
 E 16.4.63
 TA 1815A

*1-00XAC02B
 *7-00XAF048
 *D-00XAA02L
 *K-00XAA260
 *N-00XAF02A

*2-00XAC26P
 *8-00XAF09A
 *E-00XAA02M
 *L-00XAC02E
 *P-00XAE26A

*3-00XAC01P
 *9-00XAF03B
 *F-00XAA01N
 *M-00XAC02N

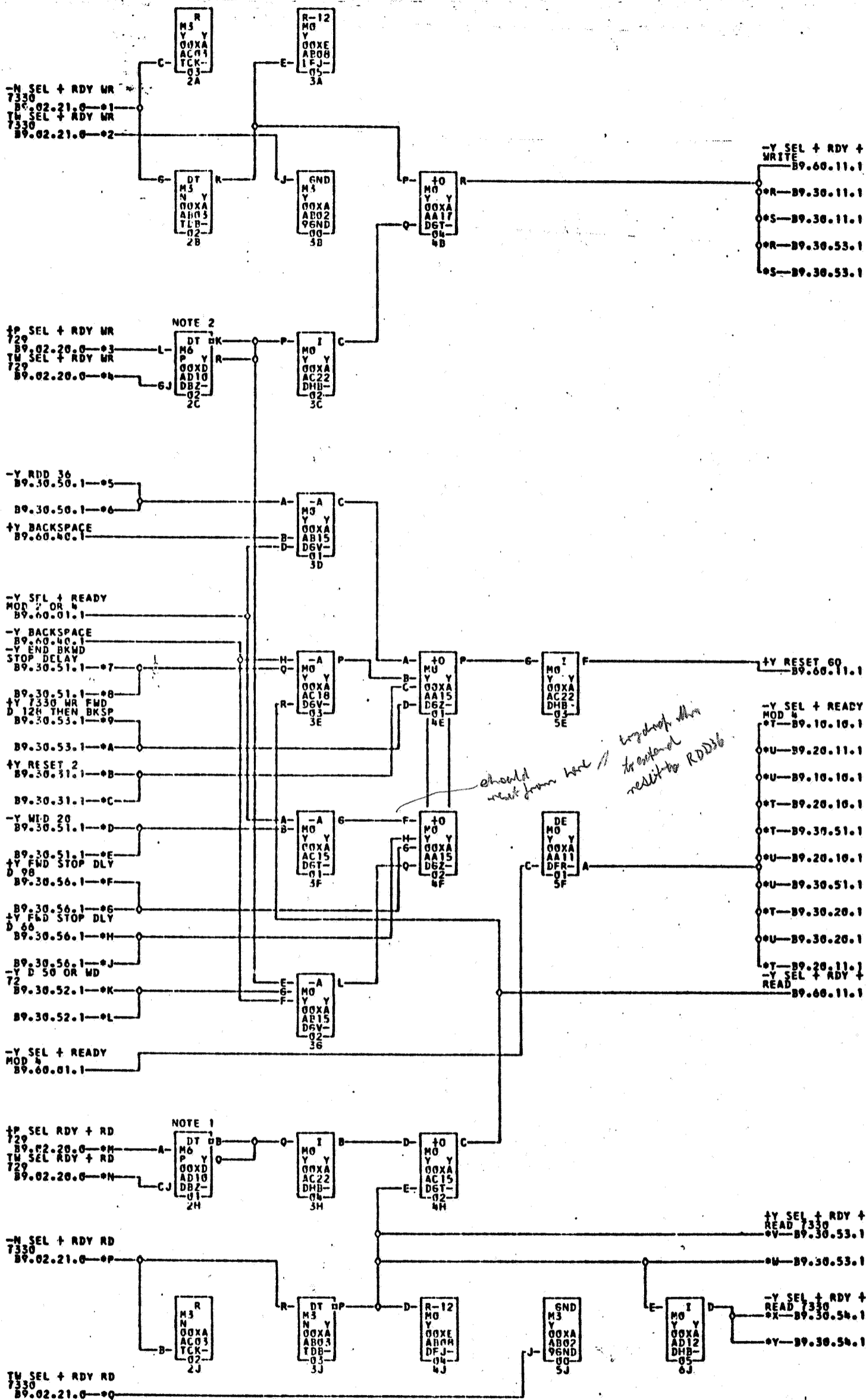
*4-00XAC02C
 *A-00XAF03A
 *6-00XAA26N
 *O2A1B25N

*5-00XAC01M
 *B-00XAC02P
 *H-00XAA02K
 *O2A1D17N

*6-00XAC26M
 *C-00XAC02D
 *J-00XAA010
 *O2B1E03R

00XA 0282 1401 COMMENTS TAG DATE E.C.NO. TAG DATE E.C.NO. TAG DATE E.C.NO. TAG DATE E.C.NO.
 00XA 1403 1410 A 01-26-62 113840 B 03-21-62 114617 C 10-03-62 114046 D 11-07-62 114169
 NOTE 1 TIE C09K TO C09I WHEN SYSTEM HAS

729202



- *1-00XAE02P
- *2-00XAE02N
- *3-00XAE00P
- *4-00XAE04N
- *5-00XAD010
- *6-00XAD26Q
- *7-00XAC01F
- *8-00XAC25F
- *9-00XAD01A
- *A-00XAD26A
- *B-00XAC01P
- *C-00XAC26P
- *D-00XAD01N
- *E-00XAD26N
- *F-00XAD01M
- *G-00XAD26M
- *H-00XAD01K
- *I-00XAD26K
- *J-00XAD01L
- *K-00XAD26L
- *L-00XAD01M
- *M-00XAD26M
- *N-00XAD01N
- *O-00XAD26N
- *P-00XAD01O
- *Q-00XAD26O
- *R-00XAD01P
- *S-00XAD26P
- *T-00XAD01Q
- *U-00XAD26Q
- *V-00XAD01R
- *W-00XAD26R
- *X-00XAD01S
- *Y-00XAD26S
- *Z-00XAD01T
- *AA-00XAD26T

COMMENTS: 00XA 02B2 1401, 00XA 14D3 1410, NOTE 1 TIE D100 TO D10C WHEN SYSTEM HAS NO 729, NOTE 2 TIE D10C TO D10S WHEN SYSTEM HAS NO 729

TAG DATE	E.C.NO.	TAG DATE	E.C.NO.	TAG DATE	E.C.NO.	TAG DATE	E.C.NO.
A 01-26-62	113040	B 03-21-62	114617	C 10-03-62	114046	D 11-07-62	114169
F 12-13-62	114179						

1515

0729205

READ CONDITION

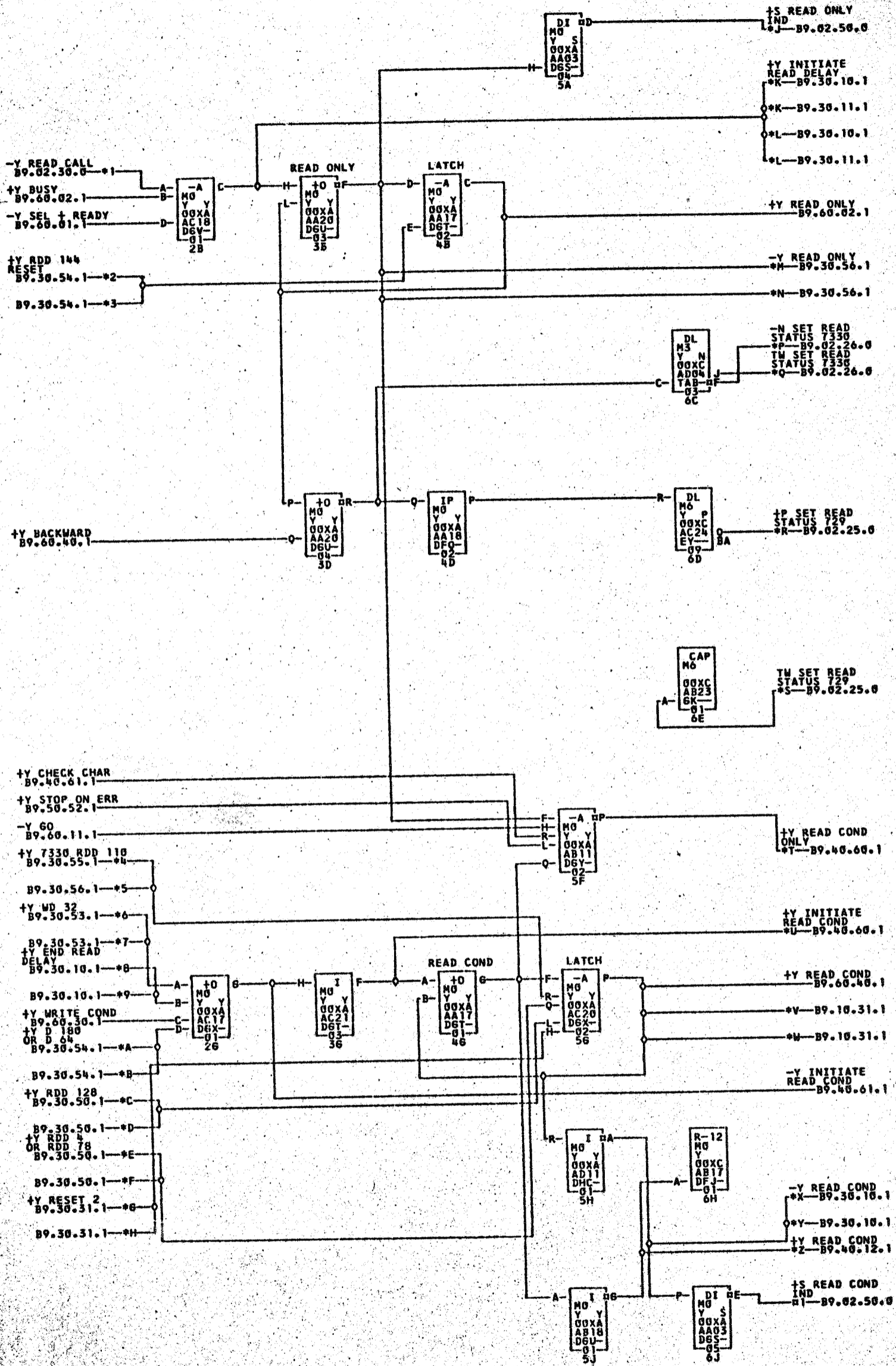
TAU 9

B9.60.20.1

TAG DATE

B 14.12.62
TA 1678A

C 16.4.63
TA 1815A



- *1-00XAD026
- *2-00XAC01H
- *3-00XAC26H
- *4-00XAE260
- *5-00XAF020
- *6-00XAF02F
- *7-00XAE26F
- *8-00XAB01R
- *9-00XAB26R
- *A-00XAC01D
- *B-00XAC26B
- *C-00XAC01E
- *D-00XAC26E
- *E-00XAC01C
- *F-00XAC26C
- *G-00XAC01P
- *H-00XAC26D
- *I-00XAE020
- *J-00XAE02A
- *K-00XAA01H
- *L-00XAA26H
- *M-00XAE26D
- *N-00XAF02B
- *O-00XAE02A
- *P-00XAE02B
- *Q-00XAE02A
- *R-00XAE04A
- *S-00XAE04A
- *T-00XAF01R
- *U-00XAF01H
- *V-00XAF02K
- *W-00XAE26K
- *X-00XAC01A
- *Y-00XAC26A
- *Z-00XAF01P
- *1-00XAE260
- *2-00XAC01D
- *3-00XAE26D
- *4-00XAF01H
- *5-00XAF020
- *6-00XAF02F
- *7-00XAC01E
- *8-00XAC26B
- *9-00XAC26D
- *A-00XAE020
- *B-00XAE02A
- *C-00XAE02B
- *D-00XAE02A
- *E-00XAE02B
- *F-00XAF02K

00XA 0202 1401
00XA 1403 1410

COMMENTS

TAG DATE	E.C.NO.	TAG DATE	E.C.NO.	TAG DATE	E.C.NO.	TAG DATE	E.C.NO.
A 01-26-62	113840	B 10-03-62	114040	C 12-13-62	114179		

729205

1815

0729225

WRITE CONDITION

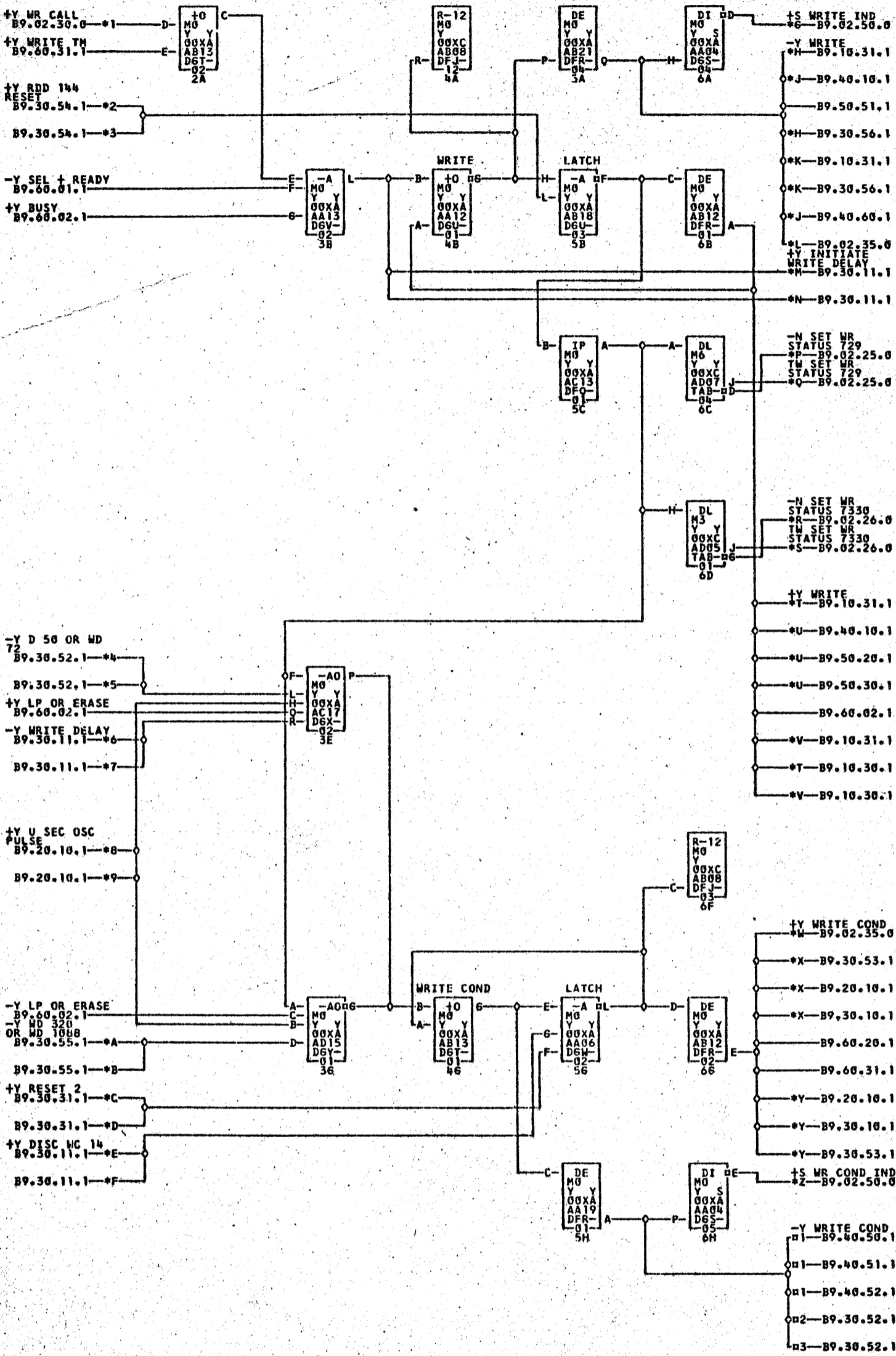
TAU 9

B9.60.30.1

TAG DATE

B 14.12.62
TA 1678A

C 16.4.63
TA 1815A



- *1-00XAD02H
- *2-00XAC01H
- *3-00XAC26H
- *4-00XAD01F
- *5-00XAD26P
- *6-00XAD01G
- *7-00XAD26G
- *8-00XAB01K
- *9-00XAB26K
- *A-00XAD01M
- *B-00XAB26M
- *C-00XAD01N
- *D-00XAC26P
- *E-00XAB01K
- *F-00XAB26N
- *G-00XAB01M
- *H-00XAB01B
- *I-00XAD01N
- *J-00XAB01B
- *K-00XAA26B
- *L-00XAD02R
- *M-00XAB01F
- *N-00XAB26F
- *O-00XAE04D
- *P-00XAE04D
- *Q-00XAE04C
- *R-00XAE02D
- *S-00XAE02C
- *T-00XAA01F
- *U-00XAF01E
- *V-00XAA26F
- *W-00XAD02K
- *X-00XAB01E
- *Y-00XAB26E
- *Z-00XAA02R
- *1-00XAD03F
- *2-00XAA01H
- *3-00XAA26H

00XA 02B2 1401 COMMENTS TAG DATE E.C.NO. TAG DATE E.C.NO. TAG DATE E.C.NO. TAG DATE E.C.NO.

00XA 14D5 1410

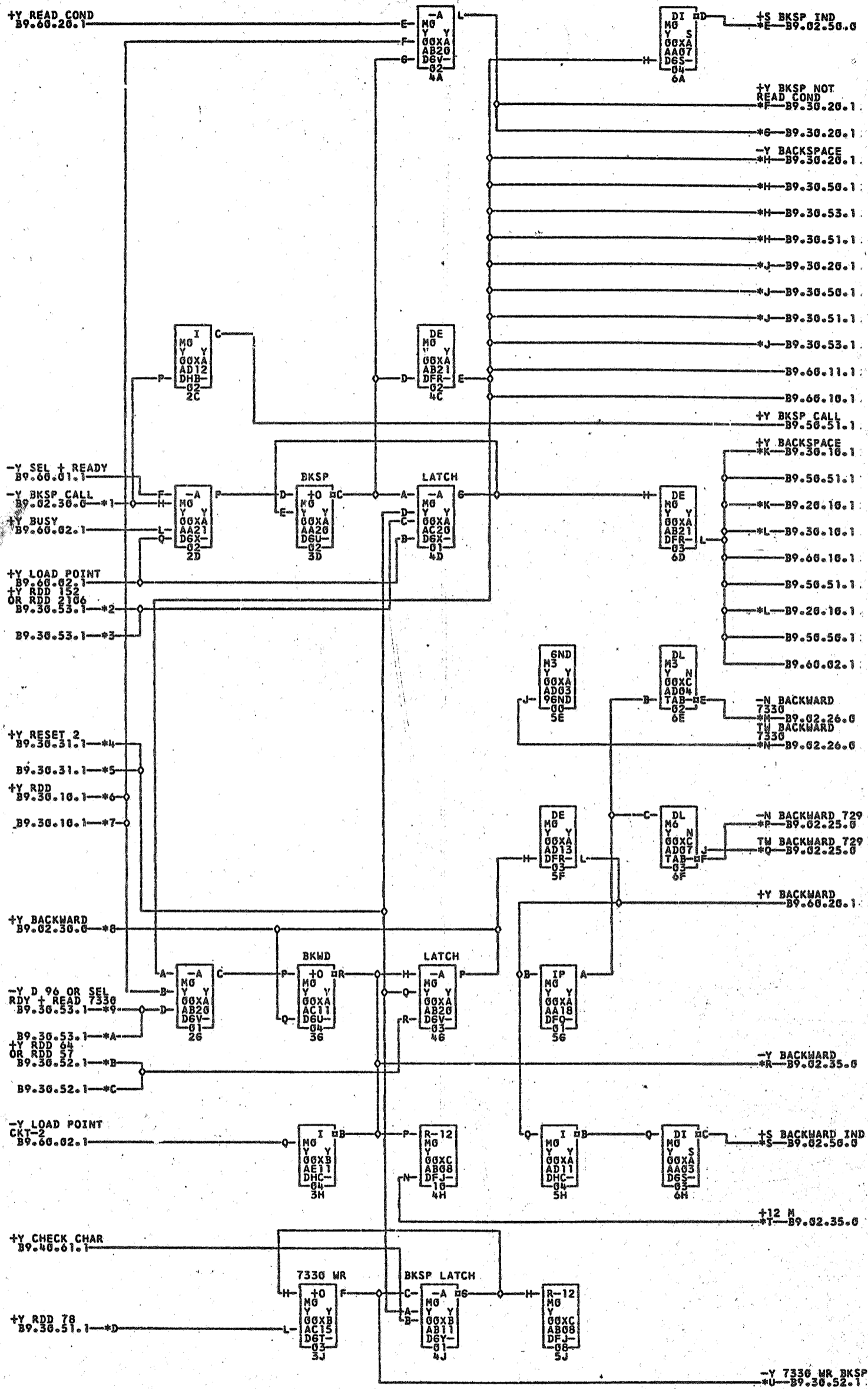
A 01-26-62 113840

B 10-03-62 114046

C 12-13-62 116179

729225

1015



- *1-00XAC02A
- *7-00XAC26S
- *D-00XAF62P
- *K-00XAA01P
- *R-00XAD02B

- *2-00XAC01H
- *8-00XAD02O
- *E-00XAB02F
- *L-00XAA20P
- *S-00XAB02S

- *3-00XAC26H
- *9-00XAC01K
- *F-00XAB01C
- *H-00XAE01P
- *T-00XAC02M

- *4-00XAC01P
- *A-00XAC26C
- *6-00XAE26C
- *N-00XAE01N
- *U-00XAF02N

- *5-00XAC26P
- *B-00XAC01L
- *H-00XAA01C
- *P-00XAE03P

- *6-00XAC01G
- *C-00XAC26L
- *J-00XAA26C
- *Q-00XAE03N

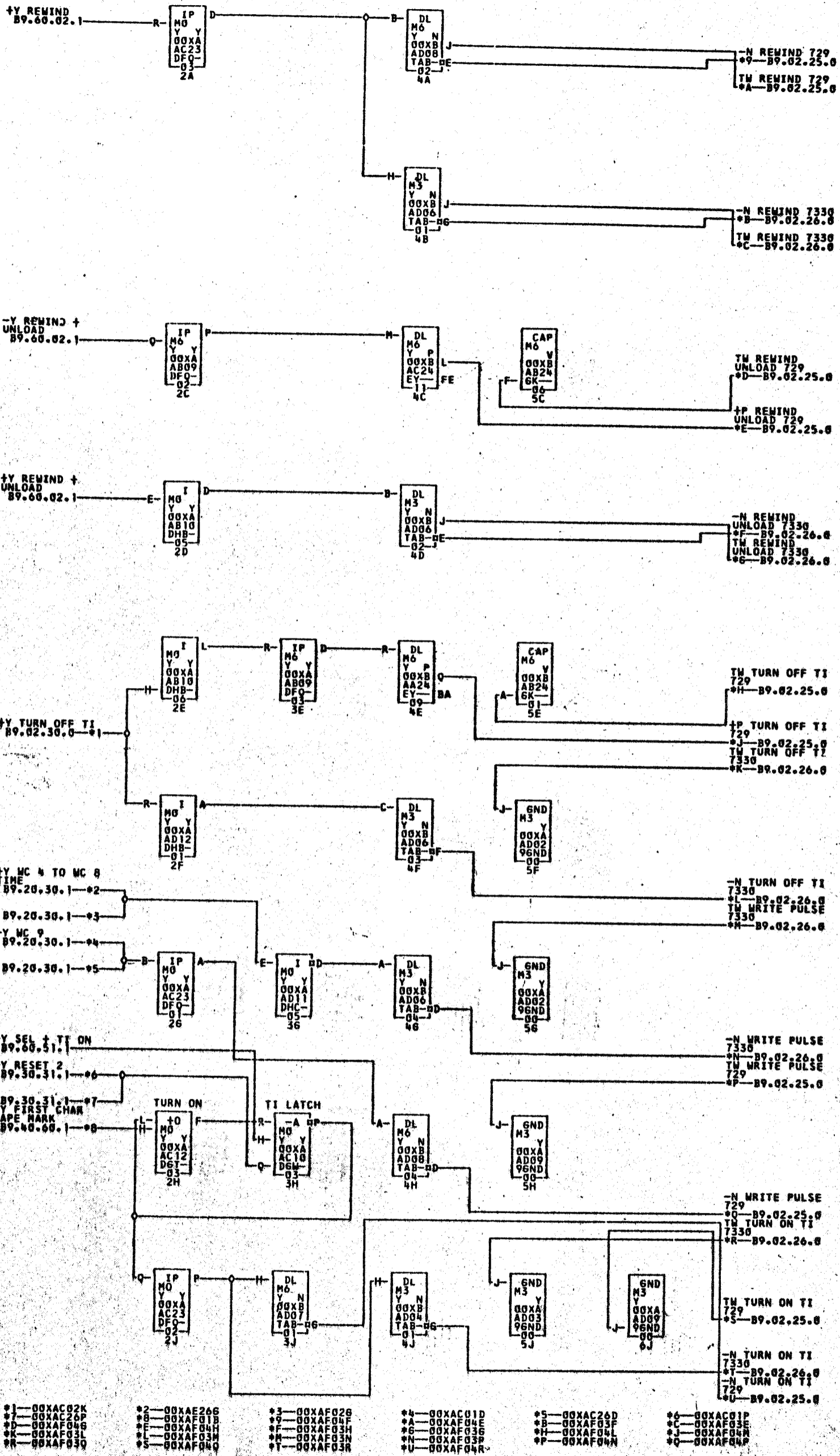
00XA 02B2 1401
00XA 14D3 1410

COMMENTS

TAG DATE E.C.NO. TAG DATE E.C.NO. TAG DATE E.C.NO. TAG DATE E.C.NO.
A 01-26-62 113840 B 10-03-62 114040 C 12-13-62 114179 D 12-16-63 114201

A 4.5.62
TA 1233E

B 16.4.63
TA 1815A

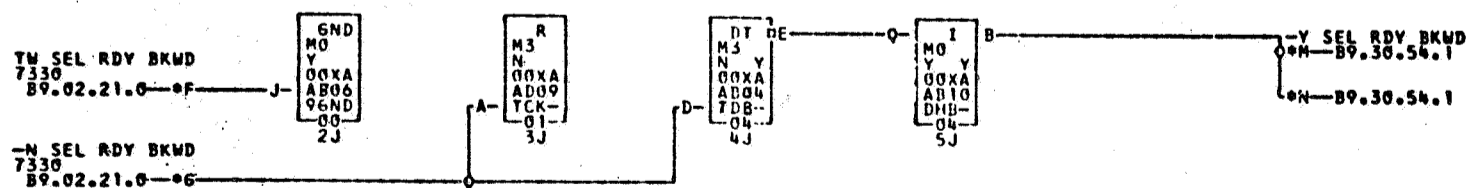
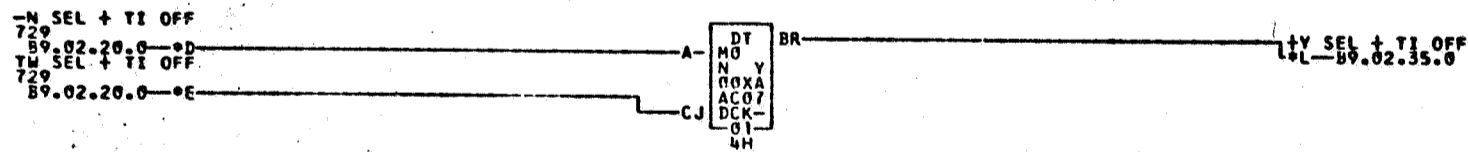
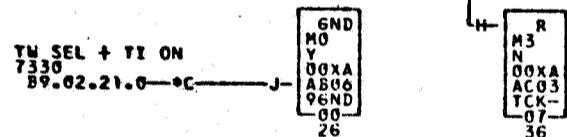
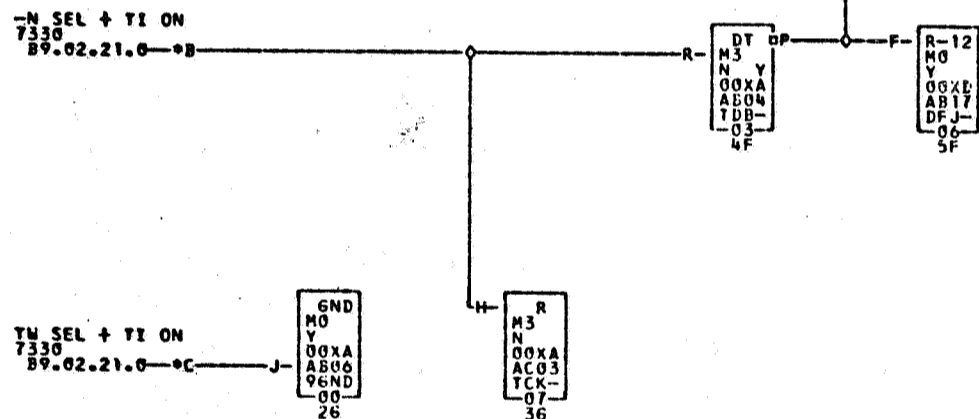
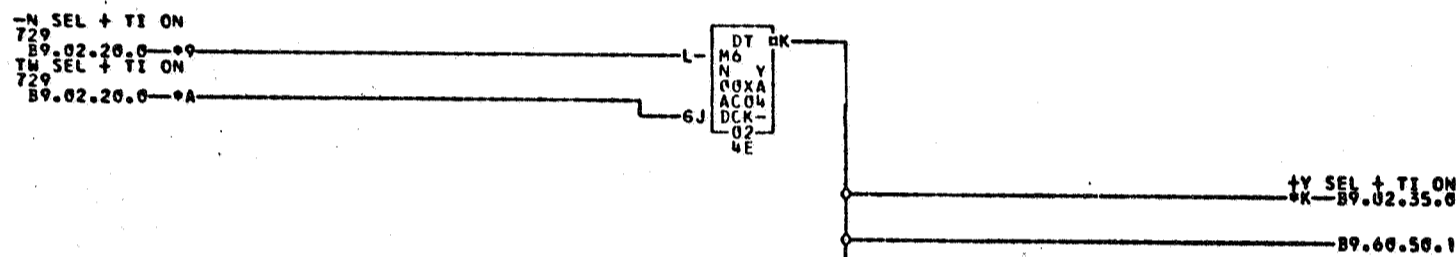
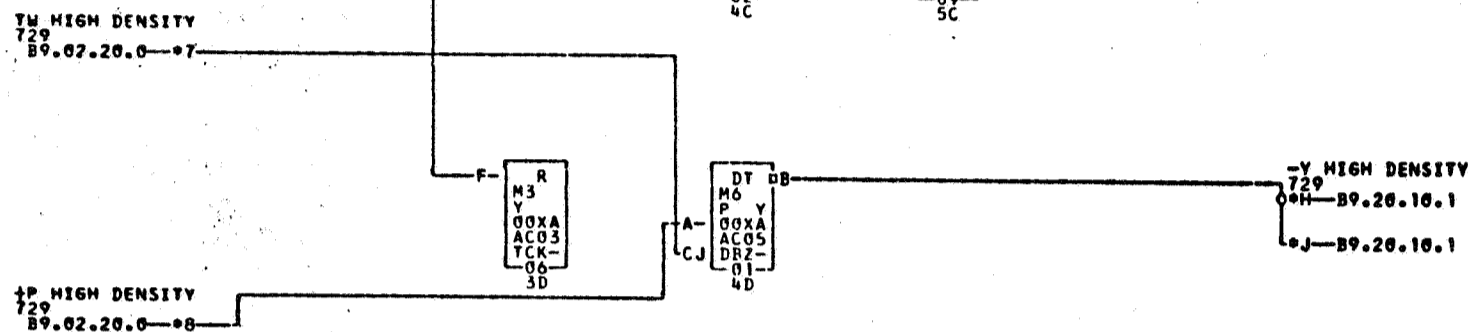
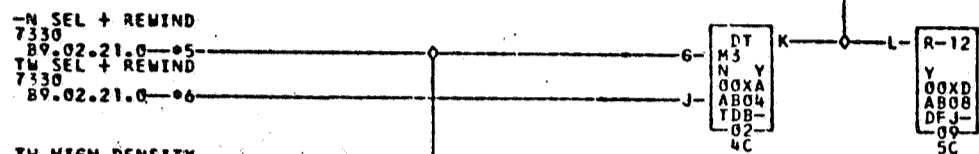
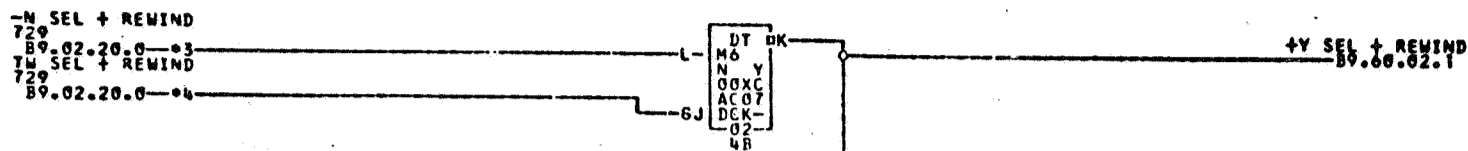
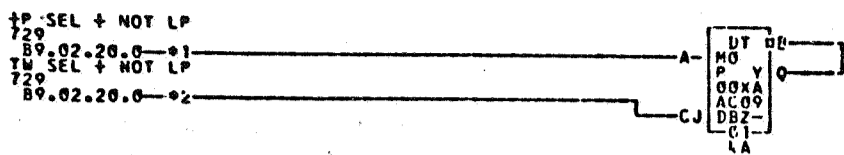


- *1-00XAC02K
- *2-00XAE266
- *3-00XAF028
- *4-00XAC01D
- *5-00XAC26D
- *6-00XAC01P
- *7-00XAC26P
- *8-00XAF01B
- *9-00XAF04F
- *A-00XAF04E
- *B-00XAF03F
- *C-00XAF03E
- *D-00XAF04B
- *E-00XAF04H
- *F-00XAF03H
- *G-00XAF036
- *H-00XAF04N
- *I-00XAF03L
- *J-00XAF03M
- *K-00XAF03L
- *L-00XAF03M
- *M-00XAF03N
- *N-00XAF03P
- *O-00XAF04M
- *P-00XAF04N
- *Q-00XAF04P
- *R-00XAF03Q
- *S-00XAF04Q
- *T-00XAF03R
- *U-00XAF04R

1815A 729228

C 7.2.63
TA 1713A

D 16.4.63
TA 1815A



- *1--00XAE03F
- *2--00XAE03E
- *3--00XAE03H
- *4--00XAE03G
- *5--00XAE01H
- *6--00XAE01G
- *7--00XAF04C
- *8--00XAF04D
- *9--00XAE03K
- *A--00XAE03J
- *B--00XAE01K
- *C--00XAE01J
- *D--00XAE03M
- *E--00XAE03L
- *F--00XAE01F
- *G--00XAE01E
- *H--00XAB01O
- *I--00XAE01I
- *J--00XAB260
- *K--00XAC020
- *L--00XAC02R
- *M--00XAA01E
- *N--00XAA26E

00XA 0282 1401 COMMENTS TAG DATE E.C.NO. TAG DATE E.C.NO. TAG DATE E.C.NO. TAG DATE E.C.NO.
 00XA 1403 1410 A 01-26-62 113840 B 03-21-62 114617 C 11-07-62 114169 D 12-13-62 114179

729229

0729230

SOCKET RESERVATIONS

TAU 9

09.00.10.0

TAG DATE

B 2.7.62
TA 1370A

C 16.4.63
TA 1815A

00XB
CONN
001
00XA
AA01
01
2A

OPEN
00XA
AB25
01
3A

CONN
00XA
AD02
01
4A

CL
CONN
PANL
00XA
AA02
01
2B

1410
CONN
00XA
AB26
01
3B

CONN
00XA
AD03
01
4B

OPEN
00XA
AA14
01
2C

00XB
CONN
001
00XA
AC01
01
3C

1410
CONN
00XA
AD26
01
4C

OPEN
00XA
AA23
01
2D

02A1
CONN
B25
00XA
AC02
01
3D

7330
CONN
MACH
00XA
AE01
01
4D

OPEN
00XA
AA25
01
2E

OPEN
00XA
AC06
01
3E

7330
CONN
MACH
00XA
AE02
01
4E

OPEN
00XA
AE12
01
5E

CONN
00XA
AA26
01
2F

OPEN
00XA
AC19
01
3F

729
CONN
MACH
00XA
AE03
01
4F

OPEN
00XA
AE13
01
5F

00XB
CONN
B01
00XA
AB01
01
2G

OPEN
00XA
AC25
01
3G

729
CONN
MACH
00XA
AE04
01
4G

RPO
OPEN
00XA
AE14
01
5G

CONN
00XA
AB02
01
2H

1410
CONN
00XA
AC26
01
3H

OPEN
00XA
AE05
01
4H

OPEN
00XA
AB19
01
2J

00XB
CONN
D01
00XA
AC01
01
3J

OPEN
00XA
AL06
01
4J

COMMENTS

TAG DATE E.C.NO. TAG DATE E.C.NO. TAG DATE E.C.NO. TAG DATE E.C.NO.
A 01-26-62 113840 B 03-21-62 114617 C 12-13-62 114179

729230

1315

0729231

SOCKET RESERVATIONS

TAU 9

09.00.10.9

TAG DATE

A 4.5.62
TA 1233E

B 16.4.63
TA 1815A

RPO
OPEN
00XA
AE15
01
2A

RPO
OPEN
00XA
AE24
01
3A

RPO
OPEN
00XA
AF07
01
4A

RPO
OPEN
00XA
AF16
01
5A

RPO
OPEN
00XA
AF25
01
6A

RPO
OPEN
00XA
AE16
01
2B

OPEN
00XA
AE25
01
3B

RPO
OPEN
00XA
AF08
01
4B

RPO
OPEN
00XA
AF17
01
5B

RPO
OPEN
00XA
AF26
01
6B

RPO
OPEN
00XA
AE17
01
2C

CONN
00XA
AE26
01
3C

RPO
OPEN
00XA
AF09
01
4C

RPO
OPEN
00XA
AF18
01
5C

RPO
OPEN
00XA
AE18
01
2D

CONN
00XA
AF01
01
3D

RPO
OPEN
00XA
AF10
01
4D

RPO
OPEN
00XA
AF19
01
5D

RPO
OPEN
00XA
AE19
01
2E

CONN
F02
00XA
AF02
01
3E

RPO
OPEN
00XA
AF11
01
4E

RPO
OPEN
00XA
AF20
01
5E

RPO
OPEN
00XA
AE20
01
2F

729
CONN
MACH
00XA
AF03
01
3F

RPO
OPEN
00XA
AF12
01
4F

RPO
OPEN
00XA
AF21
01
5F

RPO
OPEN
00XA
AE21
01
2G

7330
CONN
MACH
00XA
AF04
01
3G

RPO
OPEN
00XA
AF13
01
4G

RPO
OPEN
00XA
AF22
01
5G

RPO
OPEN
00XA
AE22
01
2H

RPO
OPEN
00XA
AF05
01
3H

RPO
OPEN
00XA
AF14
01
4H

RPO
OPEN
00XA
AF23
01
5H

RPO
OPEN
00XA
AE23
01
2J

RPO
OPEN
00XA
AF06
01
3J

RPO
OPEN
00XA
AF15
01
4J

RPO
OPEN
00XA
AF24
01
5J

COMMENTS

TAG DATE E.C.NO. TAG DATE E.C.NO. TAG DATE E.C.NO. TAG DATE E.C.NO.
A 01-20-62 115845 B 12-13-62 115179

1815
729231

0005560

SOCKET RESERVATIONS

TAU 9

09.00.11.9

TAG DATE

B 30.8.62
TA 1441

C 12.3.63
TA 1775

00XA
CONN
A01
00XA
BA01
01
2A

00XC
CONN
E02
00XA
BF01
01
3A

CE
CONN
F01
00XA
BA02
01
2B

OPEN
00XA
BA05
01
3B

OPEN
00XA
BD25
01
5B

00XA
CONN
B01
00XA
BB01
01
2C

OPEN
00XA
BA18
01
3C

OPEN
00XA
BD26
01
5C

CE
CONN
P01
00XA
BB02
01
2D

OPEN
00XA
BA20
01
3D

OPEN
00XA
BB26
01
4D

OPEN
00XA
BF26
01
6D

00XA
CONN
C01
00XA
BC01
01
2E

OPEN
00XA
BA21
01
3E

CE
CONN
P01
00XA
BC02
01
2F

OPEN
00XA
BA24
01
3F

OPEN
00XA
BE25
01
5F

00XA
CONN
D01
00XA
BD01
01
2G

OPEN
00XA
BA25
01
3G

OPEN
00XA
BC25
01
4G

OPEN
00XA
BE26
01
5G

00XA
CONN
F02
00XA
BE01
01
2H

OPEN
00XA
BA26
01
3H

OPEN
00XA
BC26
01
4H

00XC
CONN
A02
00XA
BE02
01
2J

OPEN
00XA
BD02
01
4J

805530

COMMENTS

TAG DATE F.C.NO. TAG DATE F.C.NO. TAG DATE F.C.NO. TAG DATE F.C.NO.
A 11-30-61 115528 B 05-18-62 115310 C 12-13-62 116719

0723452

SOCKET RESERVATIONS

TAM 4

09.90.12.8

TAG DATE

A 30.5.61
TA 37597B

B 12.3.63
TA 177B

OPEN
00XA
CE19
01
2A

OPEN
00XA
CF06
01
3A

OPEN
00XA
CF22
01
4A

OPEN
00XA
CE20
01
2B

OPEN
00XA
CF08
01
3B

OPEN
00XA
CF23
01
4B

OPEN
00XA
CE22
01
2C

OPEN
00XA
CF10
01
3C

OPEN
00XA
CF24
01
4C

OPEN
00XA
CE23
01
2D

OPEN
00XA
CF13
01
3D

OPEN
00XA
CF25
01
4D

OPEN
00XA
CE24
01
2E

OPEN
00XA
CF15
01
3E

OPEN
00XA
CF26
01
4E

OPEN
00XA
CE25
01
2F

OPEN
00XA
CF17
01
3F

OPEN
00XA
CE26
01
2G

OPEN
00XA
CF19
01
3G

OPEN
00XA
CF03
01
2H

OPEN
00XA
CF20
01
3H

OPEN
00XA
CF04
01
2J

OPEN
00XA
CF21
01
3J

COMMENTS

TAG DATE 03-24-61 11600 TAG DATE 12-14-62 11600 TAG DATE F.C. NO. TAG DATE F.C. NO.

723452

0723399

SOCKET RESERVATIONS

TAU 9

89.90.12.9

TAC DATE

E 17.10.61
TA 37027A

F 12.3. 63
TA 1775

CE
CONN
PANL
00XA
CA01
01
2A

00XB
CONN
F01
00XA
CE02
01
3A

OPEN
00XA
CA13
01
4A

OPEN
00XA
CB05
01
5A

OPEN
00XA
CD26
01
6A

7330
CONN
MACH
00XA
CF01
01
3B

OPEN
00XA
CB12
01
5B

OPEN
00XA
CE03
01
6B

02A1
CONN
F01
00XA
CB01
01
2C

729
CONN
MACH
00XA
CF02
01
3C

OPEN
00XA
CA16
01
4C

OPEN
00XA
CC06
01
5C

OPEN
00XA
CE04
01
6C

02A1
CONN
A24
00XA
CB02
01
2D

OPEN
00XA
CA03
01
3D

OPEN
00XA
CA22
01
4D

OPEN
00XA
CC19
01
5D

OPEN
00XA
CE06
01
6D

00XA
CONN
F01
00XA
CC01
01
2E

OPEN
00XA
CA05
01
3E

OPEN
00XA
CA23
01
4E

OPEN
00XA
CE08
01
6E

00XA
CONN
D03
00XA
CC02
01
2F

OPEN
00XA
CA06
01
3F

OPEN
00XA
CD03
01
5F

CONN
00XD
CA02
01
6F

7330
CONN
MACH
00XA
CD01
01
2G

OPEN
00XA
CA07
01
3G

OPEN
00XA
CA24
01
4G

OPEN
00XA
CD04
01
5G

OPEN
00XA
CE13
01
6G

729
CONN
MACH
00XA
CD02
01
2H

OPEN
00XA
CA08
01
3H

OPEN
00XA
CA26
01
4H

OPEN
00XA
CD19
01
5H

OPEN
00XA
CE15
01
6H

CE
CONN
PANL
00XA
CE01
01
2J

OPEN
00XA
CA09
01
3J

OPEN
00XA
CA04
01
4J

OPEN
00XA
CD20
01
5J

OPEN
00XA
CE17
01
6J

COMMENTS

TAC DATE: E 02-02-61 FIC NO: 112332 TAC DATE: F 02-16-63 FIC NO: 112332 TAC DATE: E 02-23-61 FIC NO: 112332 TAC DATE: F 02-24-61 FIC NO: 112332

723399

1401. INTERMEDIATE LEVEL DIAGRAMS
TAU 9 INDEX

FIGURE	NAME	PART NUMBER
180	REFERENCE SHEET	
181	WRITE CONTROLS 1	723750
182	WRITE CONTROLS 2	723751
183	READ CONTROLS 1	723752
184	READ CONTROLS 2	723753
185	BACK SPACE, ERASE, REWIND AND REWIND UNLOAD	723754
186	WR CLOCK AND DLY COUNTER OSC GATING	723755
187	DELAY COUNTER	723756
188	READ DISC DELAY FORWARD STOP DLY AND CHECK CHARACTER	723757
189	GO AND TP DRV INPUT OUTPUT LINES	723758
190	FINAL AMPLIFIERS A REG B REG, R/W REG, LRCR REG	723759
191	ERROR CIRCUITS 1	723760
192	ERROR CIRCUITS 2	723761
195	729 WRITE OPERATION	723762
195-1	7330 WRITE OPERATION	723763
195-2	WRITE CLOCK CYCLES 729, 7330 WRITE OPERATION	723764
195-3	READ CLOCK CYCLES 729, 7330 WRITE OPERATIONS	723765
196	729 READ OPERATION	723766
196-1	7330 READ OPERATION	723767
196-2	READ CLOCK CYCLES 729, 7330 READ OPERATIONS	723768
197	729 BACKSPACE OP	723769
197-1	7330 BACKSPACE OP	723770
		723771

DATE	CHANGE NO.	DATE	CHANGE NO.	INTERNATIONAL BUSINESS MACHINES CORP			
9-7-61	112216B	17.10.61	TA 37927 B	NAME	TAU 9 INDEX		
7-5-65	124688	18.OCT 65	TA 32501 F	DESIGN		TYPE	
				DETAIL		SCALE	
				CHECK		DRAW	VE R-2-61
				APPRO		CHECK	

723772

INPUTS FROM 729 TAPE DRIVE

89.02.20.0

729 TP DRV LOGIC
A7 + A4
I1 + I7

TU.07.00.0	01.03.1	8VPP READ BUS 1 BIT 729	19081
TU.07.00.0	01.03.1	8VPP READ BUS 2 BIT 729	19081
TU.07.00.0	01.03.1	8VPP READ BUS 4 BIT 729	19081
TU.07.00.0	01.03.1	8VPP READ BUS 8 BIT 729	19081
TU.07.00.0	01.03.1	8VPP READ BUS A BIT 729	19081
TU.07.00.0	01.03.1	8VPP READ BUS B BIT 729	19081
TU.07.00.0	01.03.1	8VPP READ BUS C BIT 729	19081
TU.08.10.1	01.02.1	SEL + RDY WR 729	189A4
TU.08.10.1	01.02.1	SEL + RDY RD 729	189A3
TU.08.10.1	01.02.1	SEL + REWIND 729	185A2
TU.08.10.1	01.02.1	SEL + TI ON 729	183A2
TU.08.10.1	01.02.2	HIGH DENSITY 729	189A1
TU.08.10.1	01.04.1	WRITE ECHO 729	191A1
TU.08.10.1	01.06.1	SEL + LP 729	185A4
TU.08.10.1	01.06.1	SEL + NOT LP 729	189C4
TU.08.10.1	01.05.1	SEL + TI OFF 729	189C4
TU.08.10.1	01.01.1	SEL AND READY MOD 2 729	189A3
TU.08.10.1	01.01.1	SEL AND READY MOD 4-729	189A2
TU.08.10.1	01.01.1	MOD 5 OR MOD 6	187A4

OUTPUTS TO 729 TAPE DRIVE

89.02.25.0

729 TP DRV LOGIC
I1 + I7
A2 + A4

19086	WRITE BUS 1 BIT 729	01.04.1	TU.08.00.1
19086	WRITE BUS 2 BIT 729	01.04.1	TU.08.00.1
19086	WRITE BUS 4 BIT 729	01.04.1	TU.08.00.1
19086	WRITE BUS 8 BIT 729	01.04.1	TU.08.00.1
19086	WRITE BUS A BIT 729	01.04.1	TU.08.00.1
19086	WRITE BUS B BIT 729	01.04.1	TU.08.00.1
19085	WRITE BUS C BIT 729	01.04.1	TU.08.00.1
18202	WRITE PULSE 729	01.04.1	TU.08.00.1
18206	WR CK CH 729	01.04.1	TU.08.00.1
181C5	SET WR STATUS 729	01.02.1	TU.08.00.1
183C6	SET READ STATUS 729	01.02.1	TU.08.00.1
185C5	BACKWARD 729	01.07.1	TU.08.00.1
189C6	GO 729	01.07.1	TU.08.00.1
185B2	REWIND 729	01.09.1	TU.08.00.1
185J2	REWIND UNLOAD 729	01.09.1	TU.08.00.1
189D3	TURN OFF TI 729	01.05.1	TU.08.00.1
183D2	TURN ON TI 729	01.05.1	TU.08.00.1

INPUTS FROM 7330 TAPE DRIVE

89.02.21.0

7330 TP DRV LOGIC

73.30.05.1	8VPP READ BUS 1 BIT 7330	19081
73.30.05.1	8VPP READ BUS 2 BIT 7330	19081
73.30.05.1	8VPP READ BUS 4 BIT 7330	19081
73.30.05.1	8VPP READ BUS 8 BIT 7330	19081
73.30.05.1	8VPP READ BUS A BIT 7330	19081
73.30.05.1	8VPP READ BUS B BIT 7330	19081
73.20.05.1	8VPP READ BUS C BIT 7330	19081
73.20.25.1	SEL + RDY WR 7330	189A4
73.20.25.1	SEL + RDY RD 7330	189A3
73.20.25.1	SEL + REWIND 7330	185A1
73.20.25.1	SEL + TI ON 7330	183A1
73.20.25.1	SEL + RDY HI 7330	189A2
73.20.05.1	ECHO PULSE 7330	191A1
73.20.25.1	SEL + LP 7330	185A4
73.20.25.1	SEL + RDY LO 7330	189A2
73.20.25.1	SEL RDY BWD 7330	185C3

OUTPUTS TO 7330 TAPE DRIVE

89.02.26.0

7330 TP DRV LOGIC

19086	WRITE BUS 1 BIT 7330	73.30.05.1
19086	WRITE BUS 2 BIT 7330	73.30.05.1
19086	WRITE BUS 4 BIT 7330	73.30.05.1
19086	WRITE BUS 8 BIT 7330	73.30.05.1
19086	WRITE BUS A BIT 7330	73.30.05.1
19086	WRITE BUS B BIT 7330	73.30.05.1
190C6	WRITE BUS C BIT 7330	73.30.05.1
182D2	WRITE PULSE 7330	73.30.05.1
182D5	WR TR REL 7330	73.30.05.1
181C5	SET WRITE STATUS 7330	73.20.25.1
183C6	SET READ STATUS 7330	73.20.25.1
185C5	BACKWARD 7330	73.20.25.1
189C6	GO 7330	73.20.25.1
185B2	REWIND 7330	73.20.25.1
185D2	REWIND UNLOAD 7330	73.20.25.1
189D3	TURN OFF TI 7330	73.20.25.1
183D2	TURN ON TI 7330	73.20.25.1

INPUTS TO TAU

89.02.30.0

1401 ILD

129D3	1 BIT WRITE DATA LINE	190A4
129D3	2 BIT WRITE DATA LINE	190A4
129D3	4 BIT WRITE DATA LINE	190A4
129D4	8 BIT WRITE DATA LINE	190A4
129D4	A BIT WRITE DATA LINE	190A4
129D4	B BIT WRITE DATA LINE	190A4
129D5	C BIT WRITE DATA LINE	190A4
130D2	WR CALL	181A5
130D2	WR TH CALL	181A6
129B3	DISC CALL	182A5
126C4	READ CALL	183A6
126B3	REWIND CALL	185A2
126B3	REWIND + UNLOAD CALL	185B2
126B2	BACKSPACE CALL	185A6
126B2	BACKSPACE CALL	192A1
129C3	TAU RESET	186A1
127C5	ODD REDUNDANCY CALL	183A3
129D4	TURN OFF TI	189C3
130B5	MAN WR DISC	181A4
130D4	MANUAL STOP ON ERROR	192B5
130D4	MANUAL STOP ON ERROR	192C2
	EARLY SAMPLE	192A3
	EARLY SAMPLE	191C4
	AMPLIFIER BIAS	190A1
	COMPARE CHECK CE	192B5
	REG A ONLY	191B6
	REG B ONLY	191B6
130C3	TURN ON GO	189B5
	NOT MANUAL OP	181A5
	SET TAU ERROR LATCH	192A2
126B2	ERASE CALL	185A5
	DENSITY SW 200 + 556	187A3
	DENSITY SW 200 + 556	187A4
	DENSITY SW 200 + 800	187A3
	DENSITY SW 556 + 800	187A3
	DENSITY SW 556 + 800	187A2

OUTPUTS FROM TAU

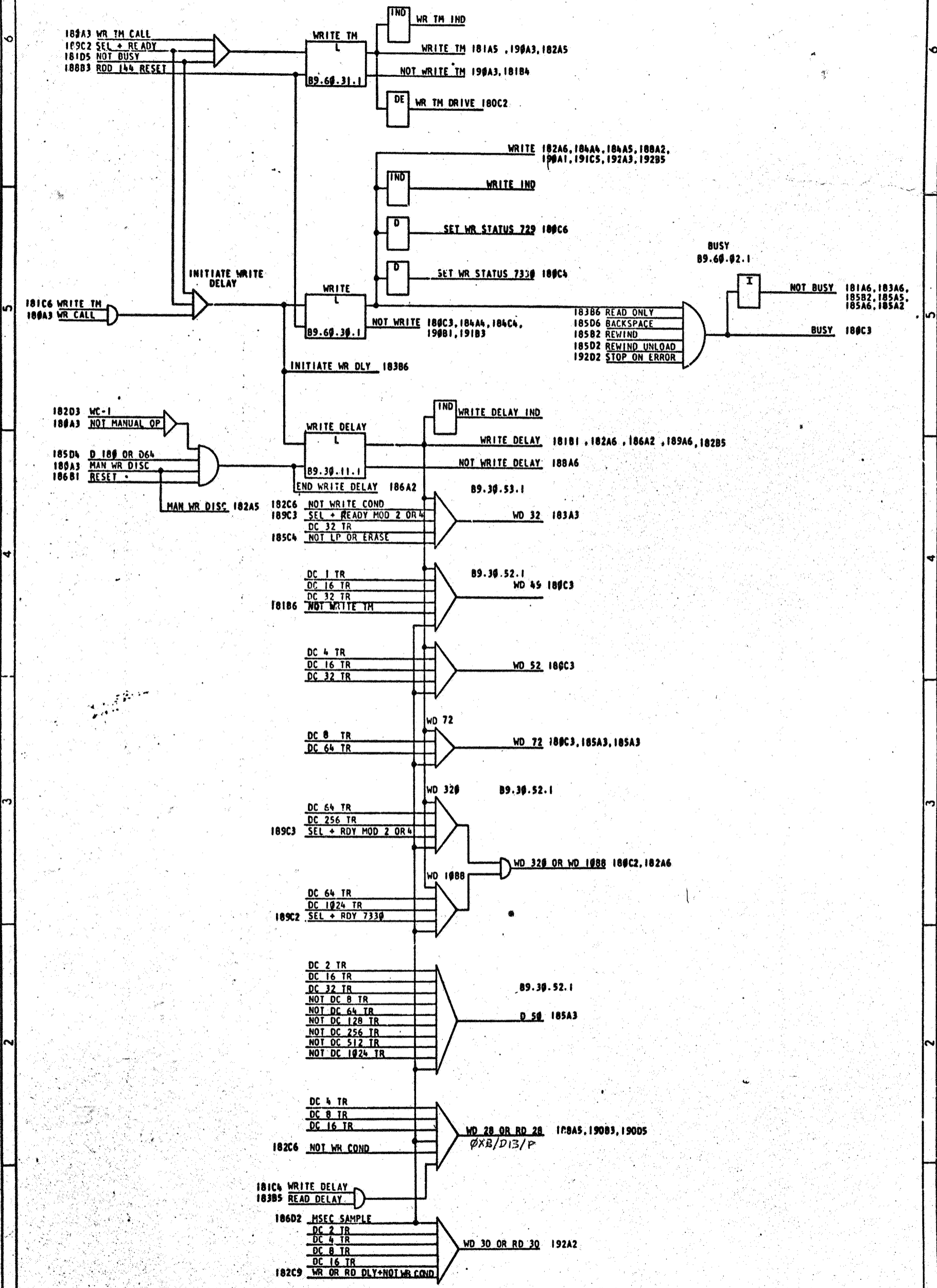
89.02.35.0

1401 ILD

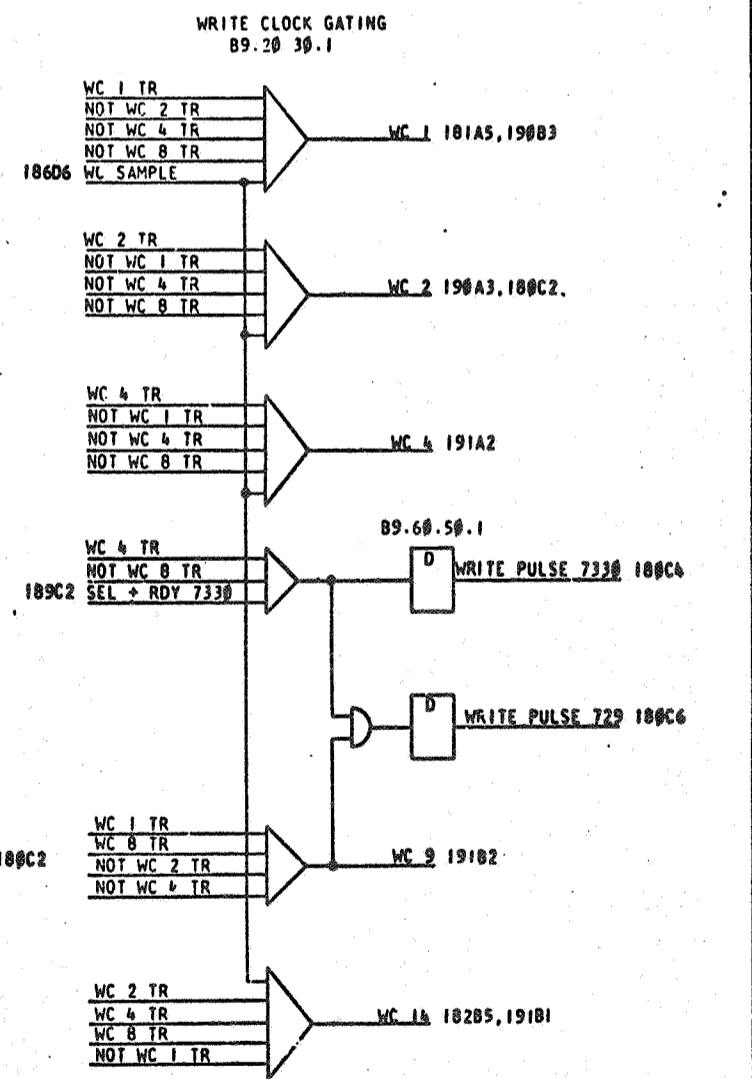
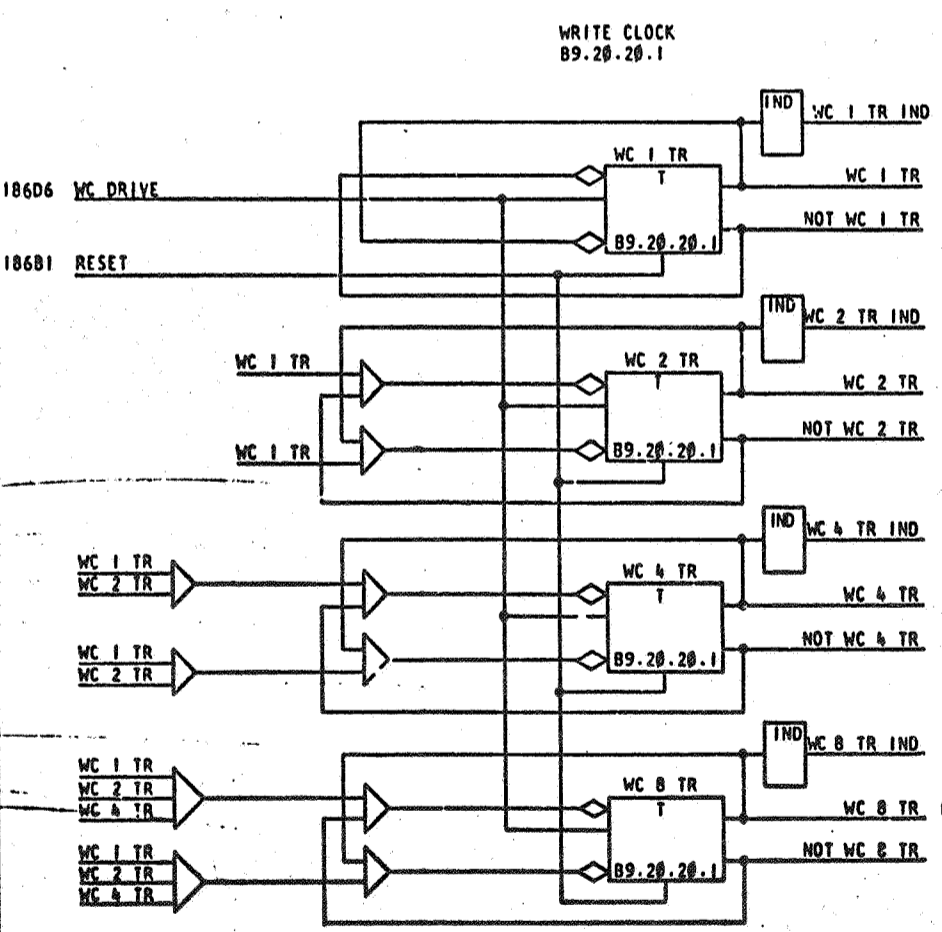
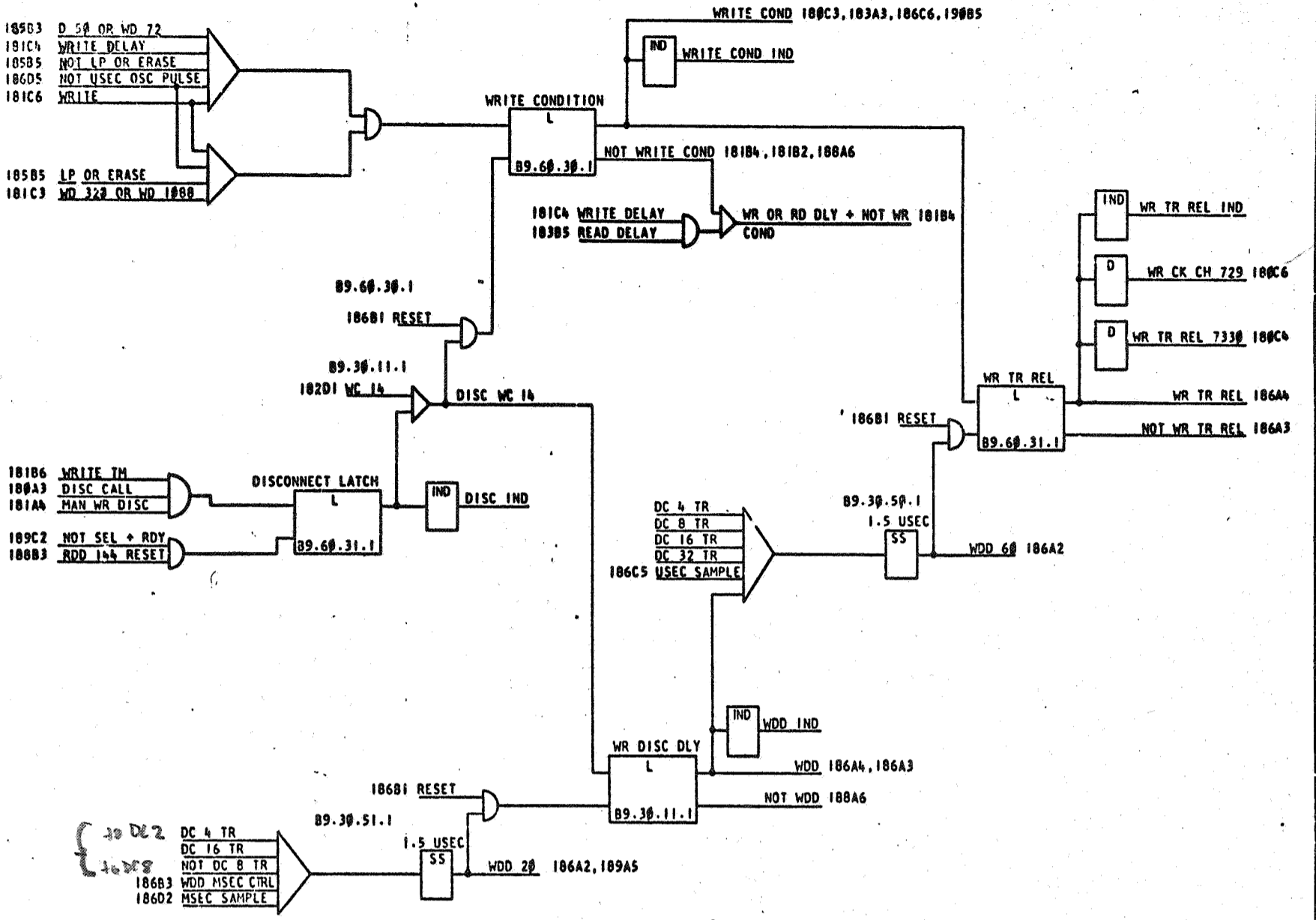
190A6	R-W REG 1 BIT	127C3
190A6	R-W REG 2 BIT	127C3
190A6	R-W REG 4 BIT	127C3
190A6	R-W REG 8 BIT	127C4
190A6	R-W REG A BIT	127C4
190A6	R-W REG B BIT	127C4
190A6	R-W REG C BIT	127B5
183D4	END READ DELAY	128A2
182C6	WRITE COND	
181D5	BUSY	130A4
185B4	LOAD POINT	126B2
188D2	CHECK CHAR	130A3
183B1	SEL + TI ON	130A4
192C2	ERROR	129B3
188B3	FWD STOP DELAY	129A5
182D3	WC 2	126A2
182C2	WC 8 TR	130A2
184B4	WR RC-5 OR READ RC-7	126A1
181C4	WD 52	130A5
181C3	WD 72	130A5
181C3	WD 320 OR WD 1088	130A5
181C4	WD 49	128A2
189C2	SEL + READY MOD 4	128A2
189B2	SEL + RDY HI 7330	128B2
186B1	729 HIGH DENSITY 800 OR 556 BPI	128A2
184C2	RC 4 TR	128B2
181B6	WR TH DRIVE	126A2
185B1	TAU READY	

DATE	CHANGE NO	DATE	CHANGE NO	INTERNATIONAL BUSINESS MACHINES CORP
17.10.61	124688	17.10.61	TA 37927 B	FIG 180 REFERENCE SHEET
7-6-65	124688	18.OKT65	TA 32501 F	
DESIGN		TYPE		
DETAIL		SCALE		
CHECK		DRAW		
APPRO		CHECK		

723750

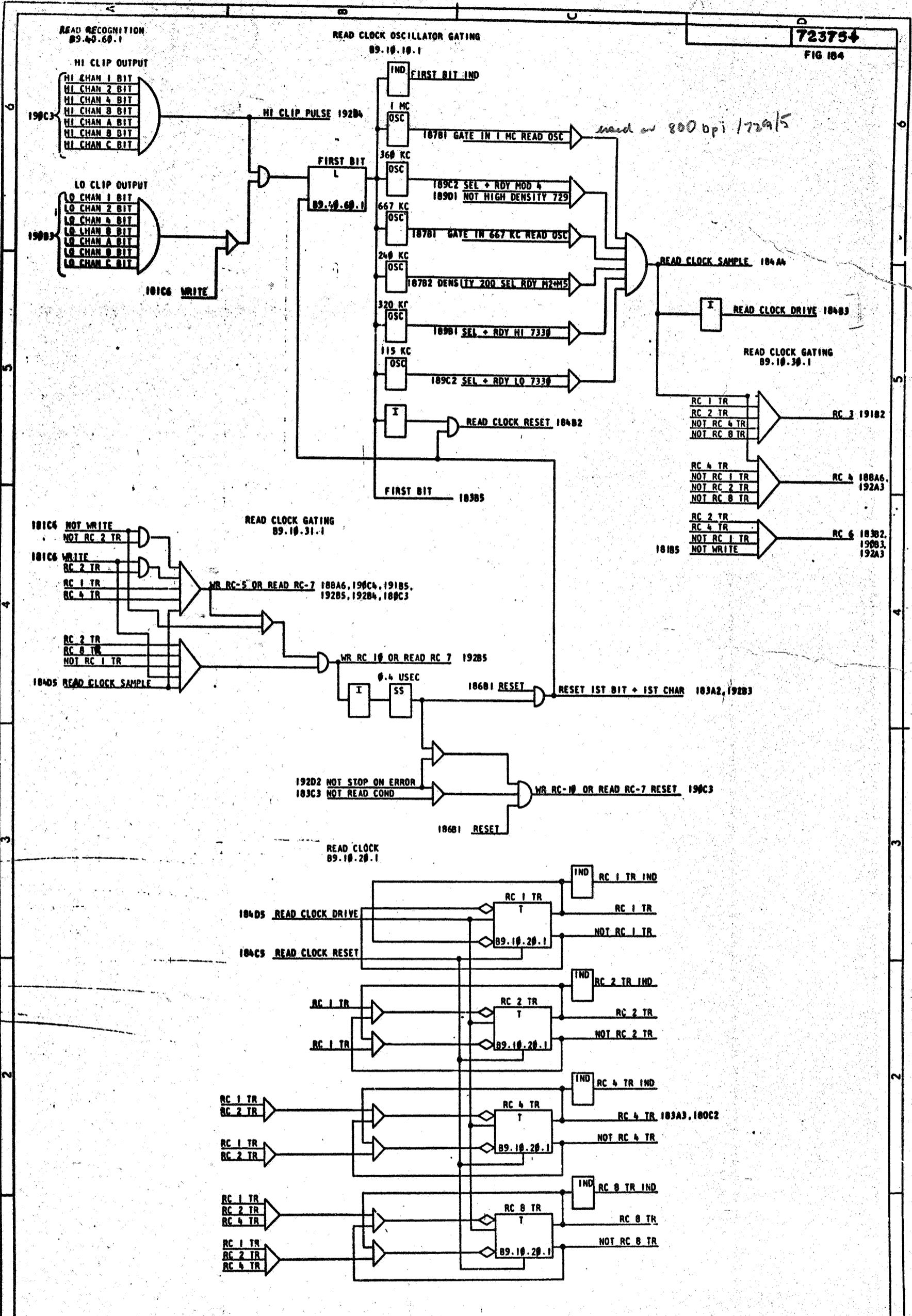


DATE	CHANGE NO	DATE	CHANGE NO	INTERNATIONAL BUSINESS MACHINES CORP
9-7-61	1122268	17.10.61	TA 37927 B	FIG 101 WRITE CONTROLS I
7-6-65	124688	18.OKT 65	TA 32501 F	
				DESIGN
				TYPE
				DETAIL
				SCALE
				CHECK
				DRAW VE
				6-5-64
				APPRO
				CHECK



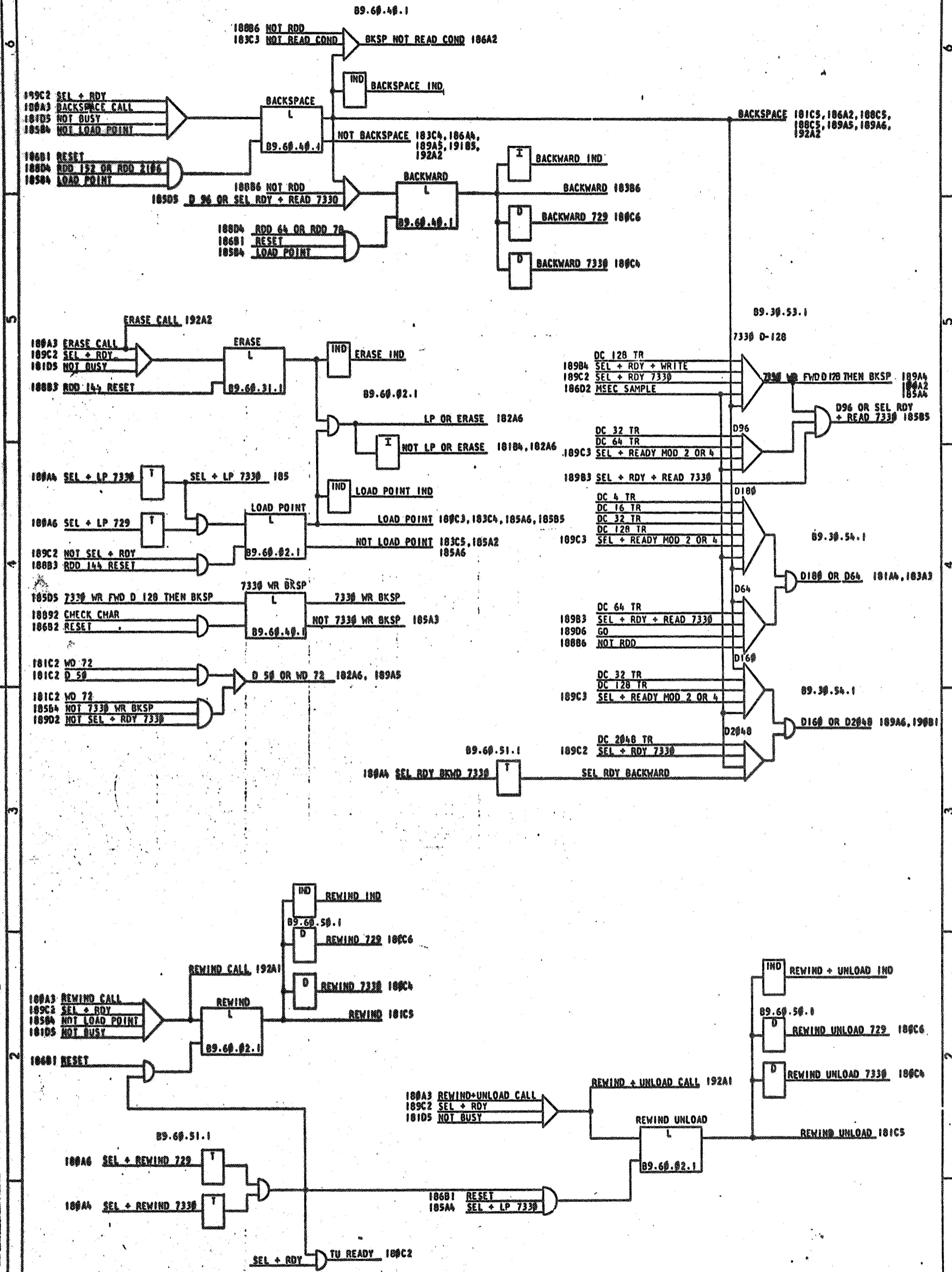
INTERNATIONAL BUSINESS MACHINES CORP					
DATE	CHANGE NO	DATE	CHANGE NO	FIG. 182	WRITE CONTROLS 2
9-7-61	117,224 B	17.10.61	TA 37927 B		
7-6-65	124688	18. OKT 65	TA 32501 E		
				DESIGN	TYPE
				DETAIL	SCALE
				CHECK	DRAW VE 6-12-61
				APPRO	CHECK

723752



INTERNATIONAL BUSINESS MACHINES CORP					
DATE	CHANGE NO	DATE	CHANGE NO	READ CONTROLS 2	
9-7-61	112226 B	17.10.61	TA 37927 B	FIG 184	
7-6-65	124688	18.OKT 65	TA 32501 F		
			DESIGN		TYPE
			DETAIL		SCALE
			CHECK	VE	6-12-61
			APPRO	CHECK	

401071



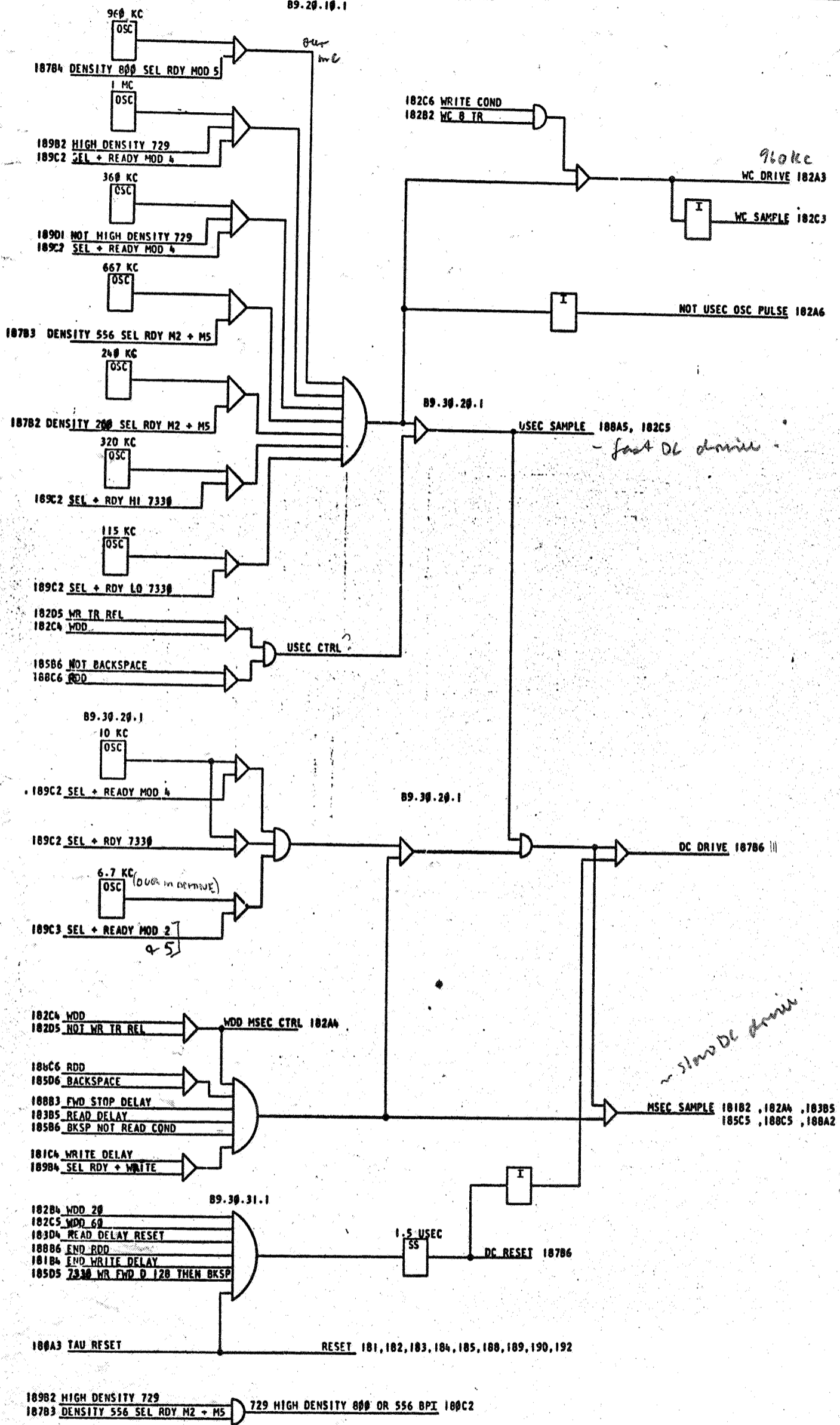
INTERNATIONAL BUSINESS MACHINES CORP					
DATE	CHANGE NO.	DATE	CHANGE NO.	FIG. 185	BACKSPACE ERASE
9-7-61	112216 B	17.10.61	TA 37927 B		
7-6-65	124688	18.OKT 65			REWIND AND REWIND UNLOAD
			TA 32501 F	DESIGN	TYPE
				DETAIL	SCALE
				CHECK	DRAW VE 6-14-61
				APPRO	CHECK

723755

WRITE CLOCK AND DELAY COUNTER OSCILLATOR GATING
89.20.10.1

723756

FIG 186



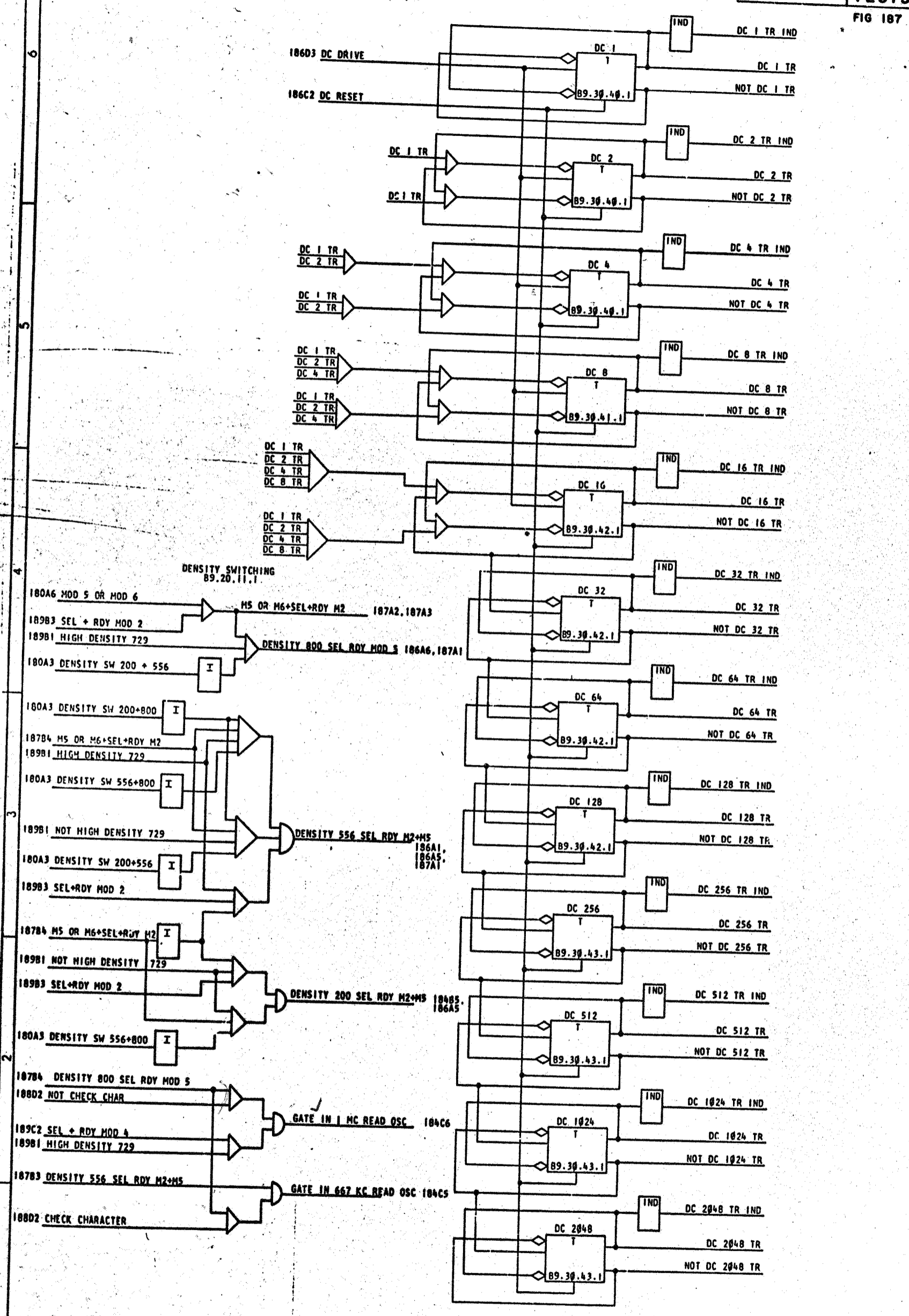
DATE	CHANGE NO	DATE	CHANGE NO	INTERNATIONAL BUSINESS MACHINES CORP
9-7-61	112226B	17.10.61	TA 37927 B	FIG 186 WR CLOCK AND DLY
7-6-65	124688	18. OKT 65	TA 32501 F	COUNTER OSC GATING
				DESIGN
				DETAIL
				CHECK
				APPRO
				TYPE
				SCALE
				DRAW VE 6-5-61
				CHECK

723756

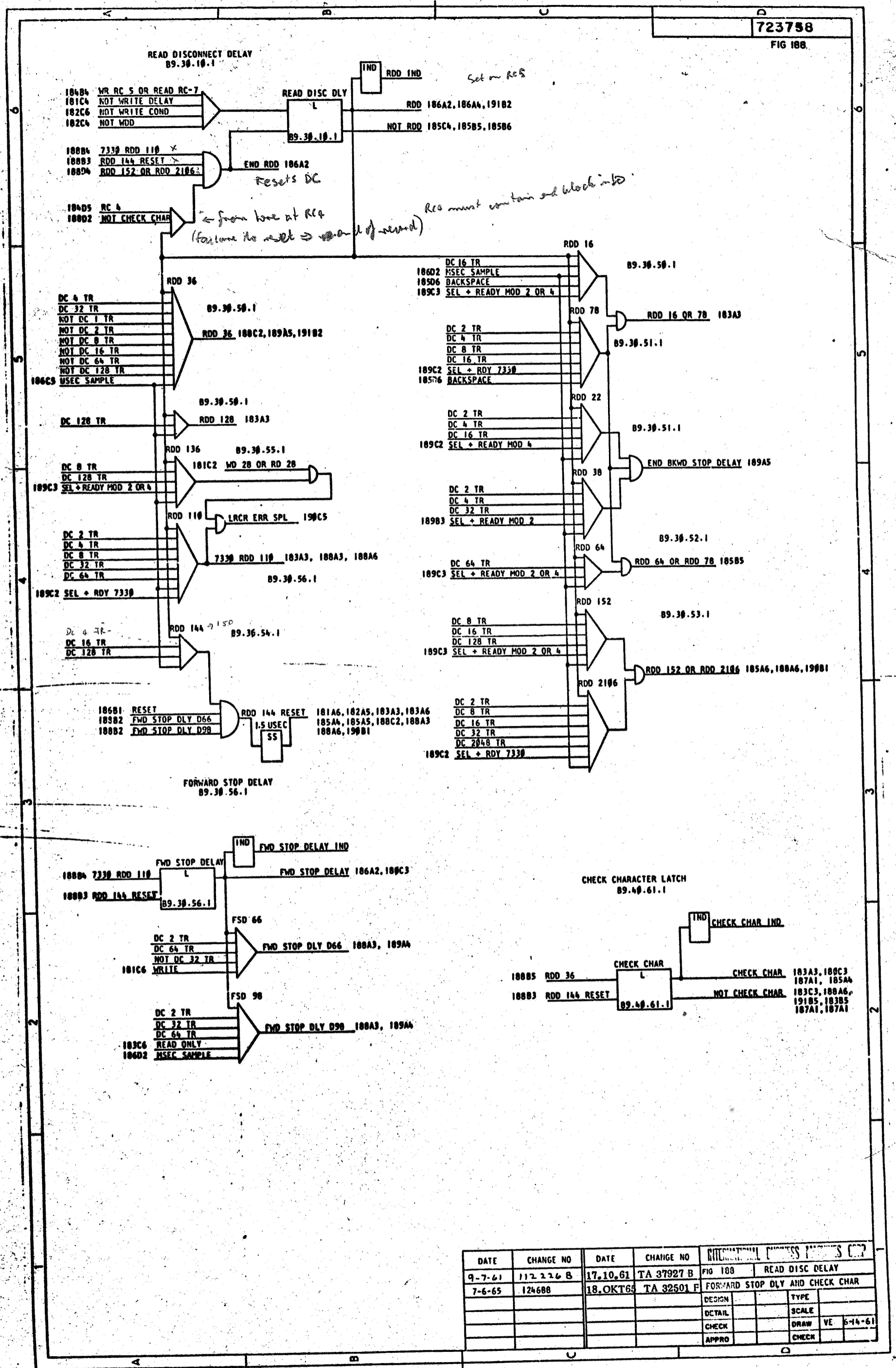
DELAY COUNTER
89.30.40.1

723757

FIG 187

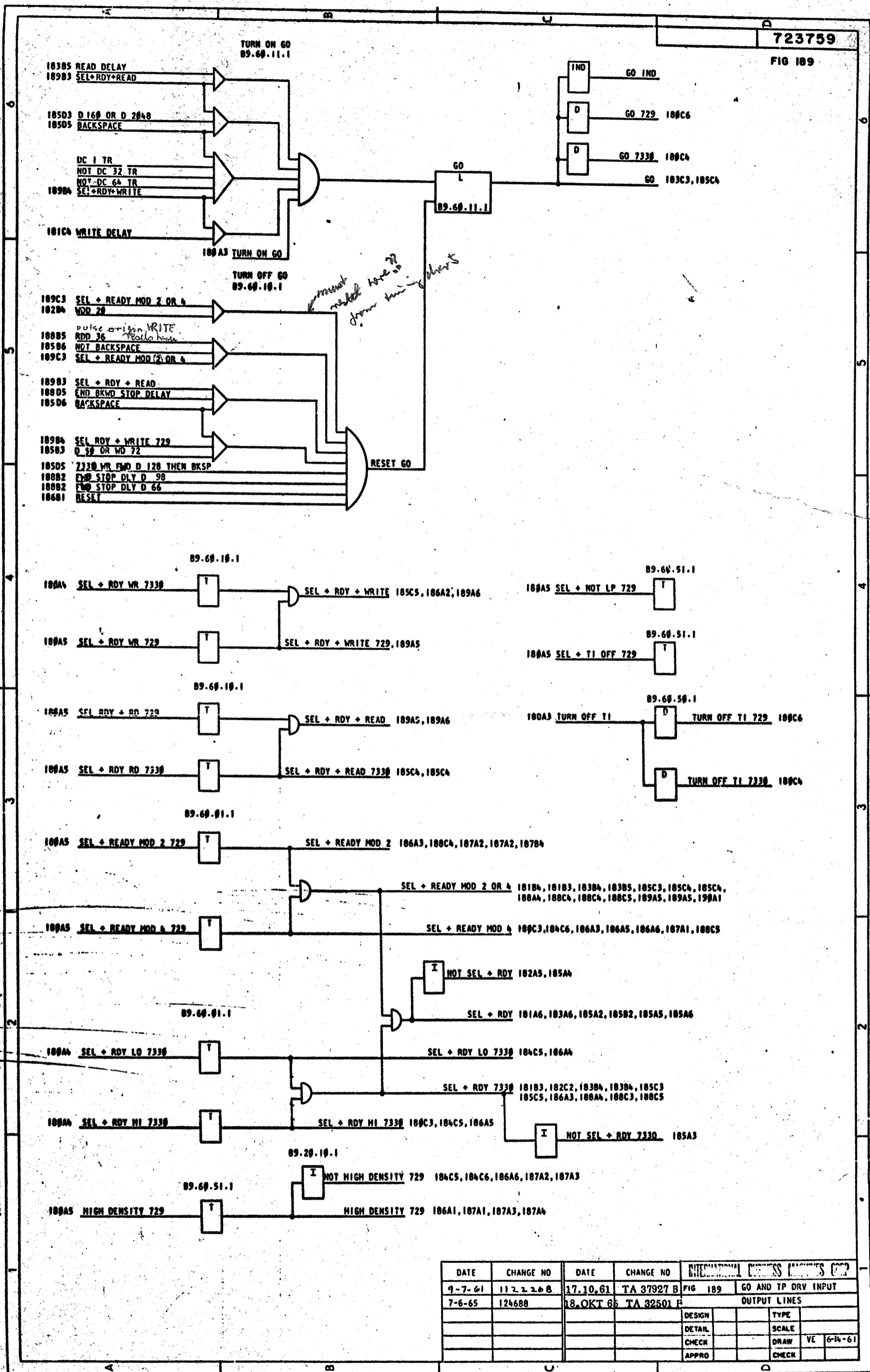


DATE	CHANGE NO	DATE	CHANGE NO	INTERNATIONAL BUSINESS MACHINES CORP
9-7-61	112226 B	17.10.61	TA 37927 B	FIG 187 DELAY COUNTER +
7-6-65	124688	18. OKT 65	TA 32501 F	DENSITY SWITCHING
				DESIGN
				DETAIL
				CHECK
				APPRO
				TYPE
				SCALE
				DRAW VE 6-5-61
				CHECK

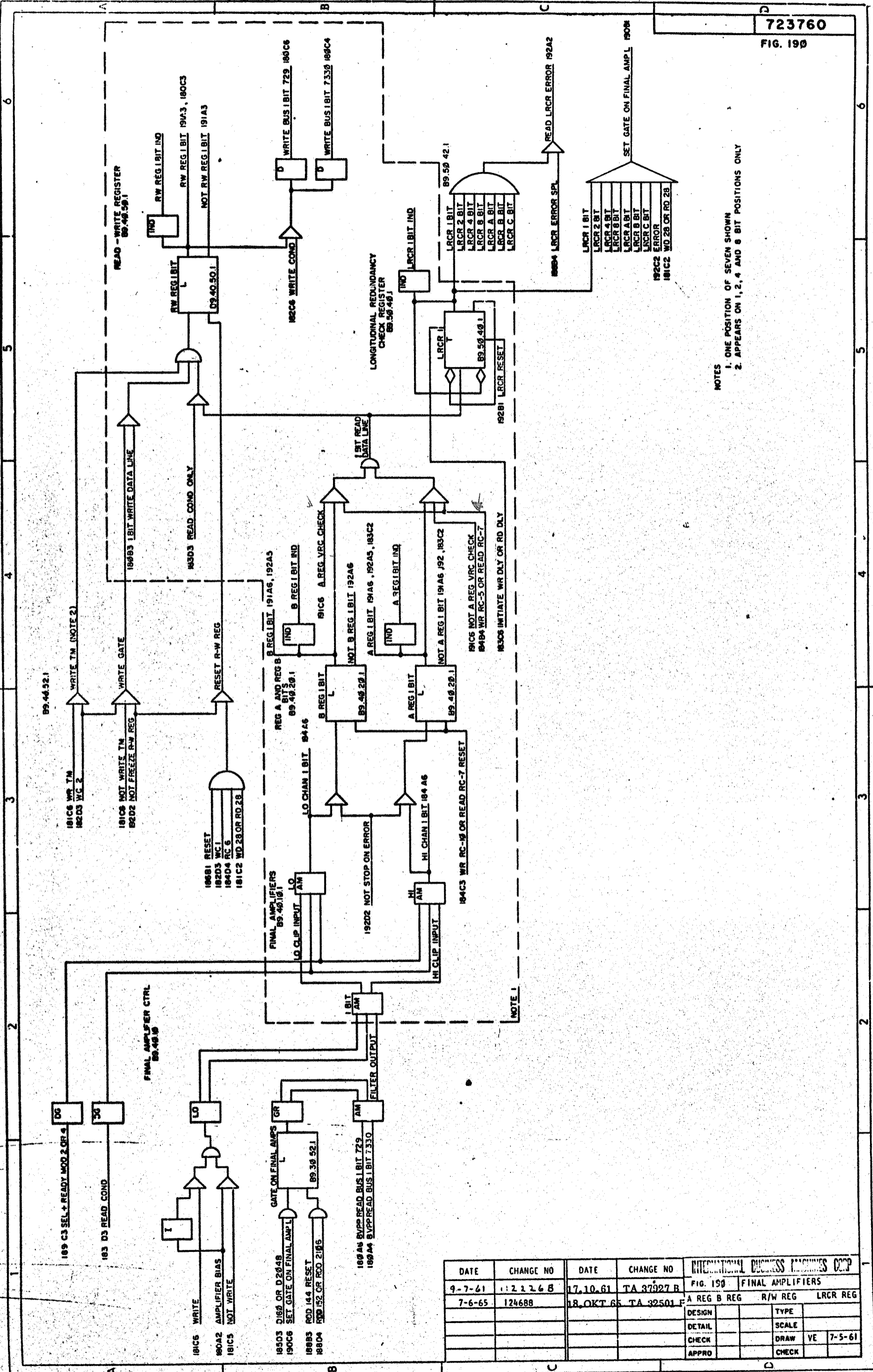


DATE	CHANGE NO	DATE	CHANGE NO	INTERNATIONAL BUSINESS MACHINES CORP
9-7-61	112 226 B	17-10-61	TA 37927 B	FIG 188 READ DISC DELAY
7-6-65	124688	18-OCT-65	TA 32501 F	FORWARD STOP DLY AND CHECK CHAR
				DESIGN
				DETAIL
				CHECK
				APPRO
				TYPE
				SCALE
				DRAW VE 5-14-61
				CHECK

723758



DATE	CHANGE NO	DATE	CHANGE NO	INTERNATIONAL BUSINESS MACHINES CORP
9-7-61	1122208	17.10.61	TA 37927 B	FIG 189 GO AND TP DRV INPUT
7-6-65	124688	18. OKT 65	TA 32501 F	OUTPUT LINES
				DESIGN
				DETAIL
				CHECK
				APPRO
				TYPE
				SCALE
				DRAW VE 6-14-61
				CHECK

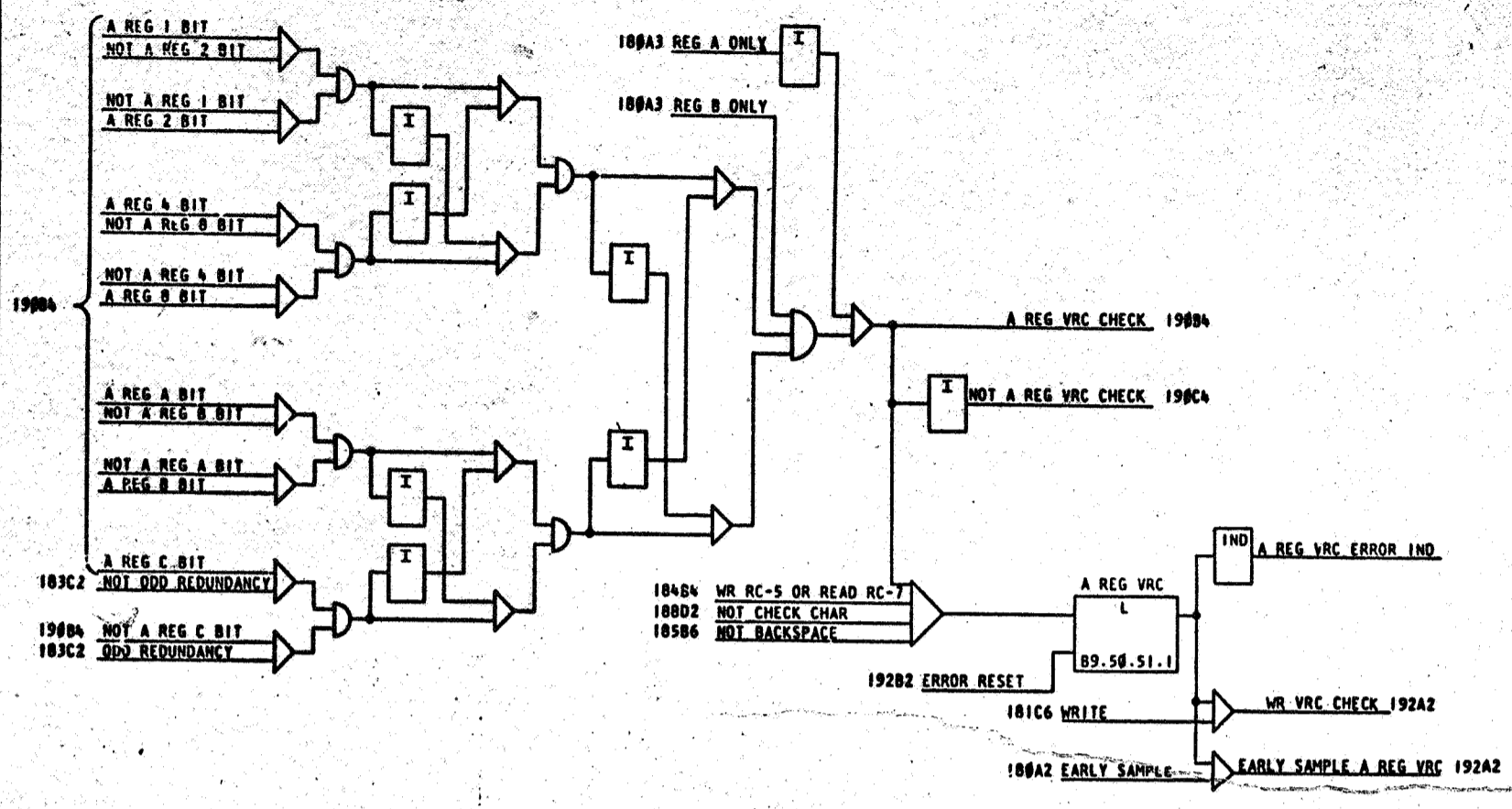


NOTES
 1. ONE POSITION OF SEVEN SHOWN
 2. APPEARS ON 1, 2, 4 AND 6 BIT POSITIONS ONLY

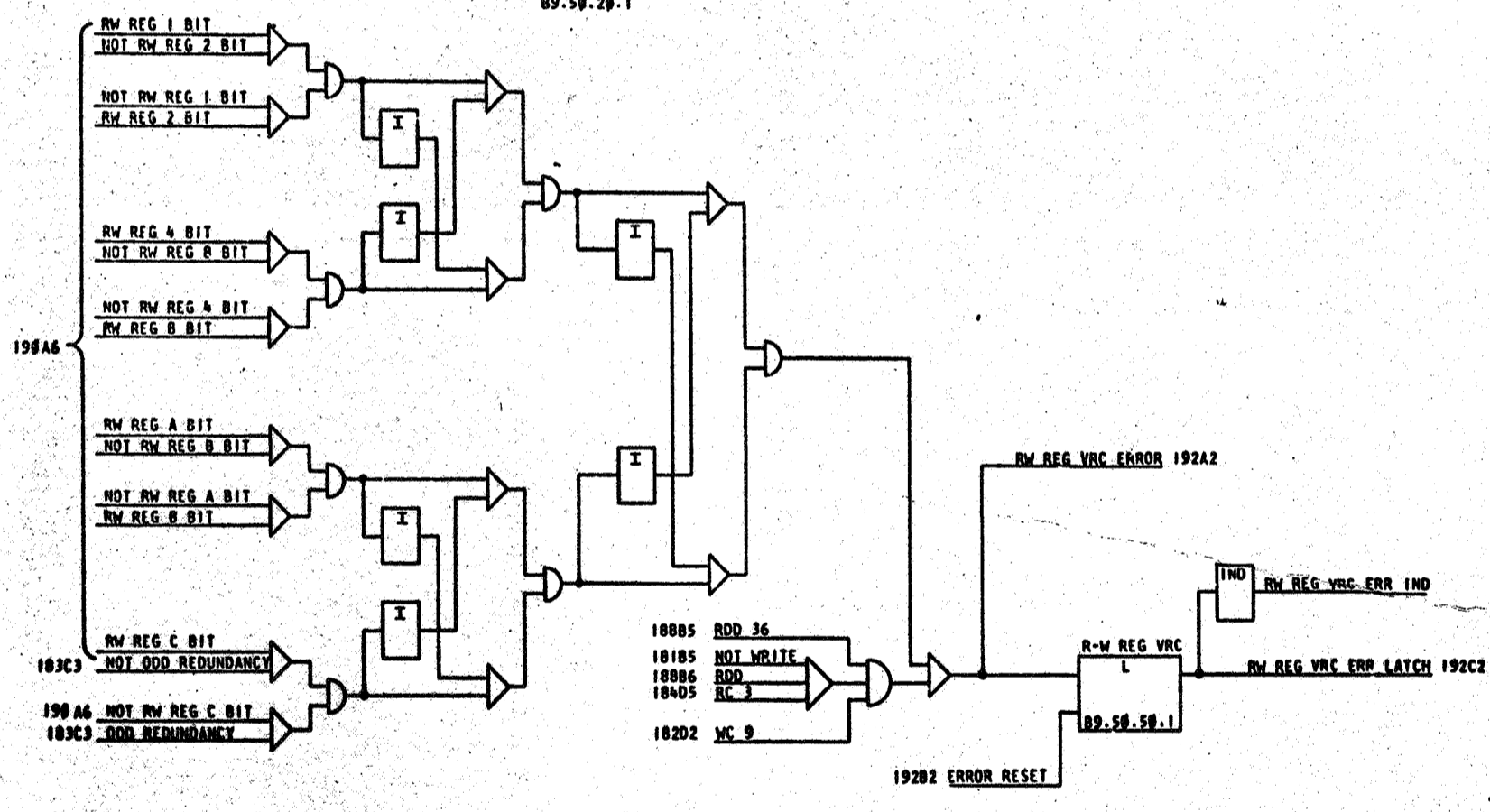
DATE	CHANGE NO	DATE	CHANGE NO	INTERNATIONAL BUSINESS MACHINES CORP
9-7-61	112126B	17-10-61	TA 37927 B	FIG. 190 FINAL AMPLIFIERS
7-6-65	124688	18-OCT-65	TA 32501 F	A REG B REG R/W REG LRCR REG
				DESIGN
				DETAIL
				CHECK
				APPRO
				TYPE
				SCALE
				DRAW VE
				CHECK

723760

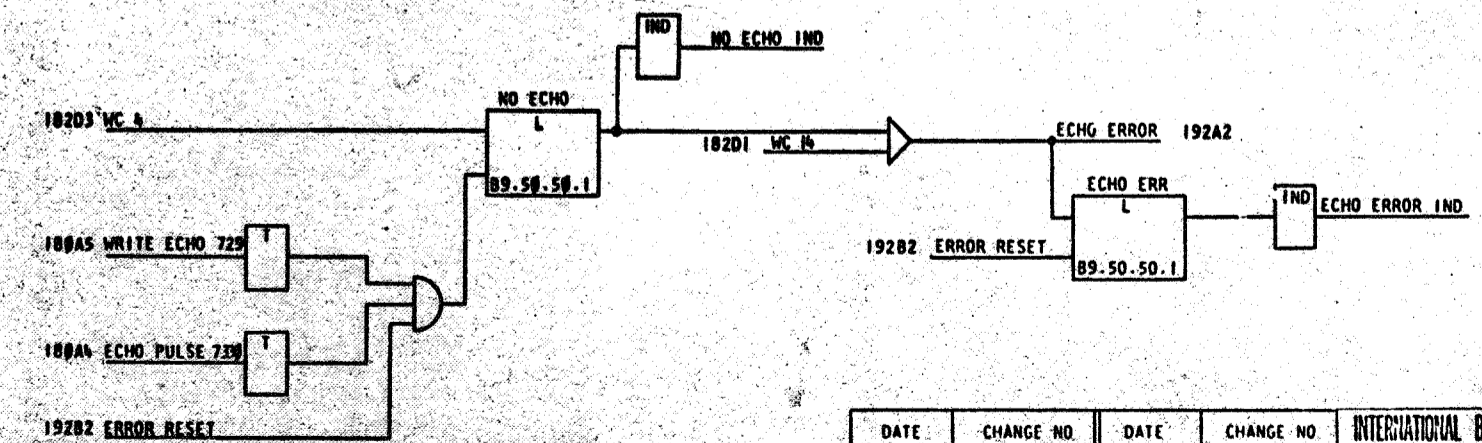
A REG VRC
B9.50.10.1



READ WRITE REG VRC
B9.50.20.1

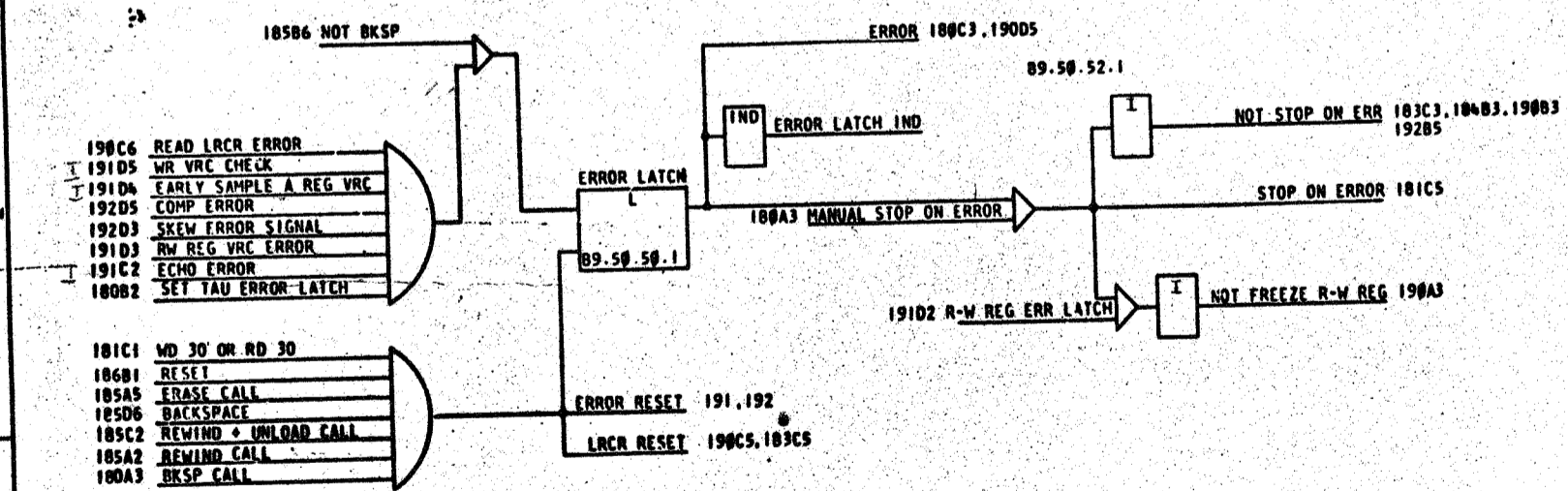
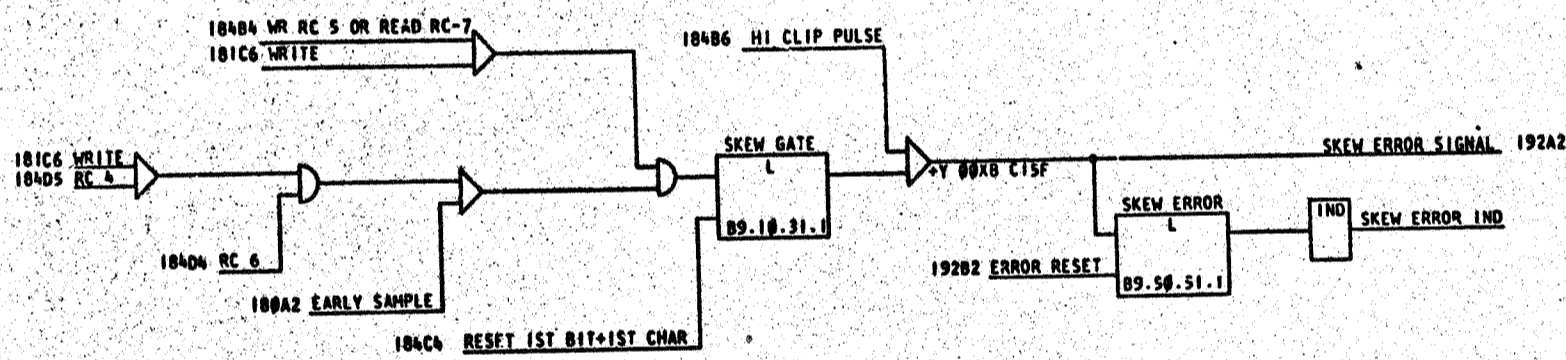
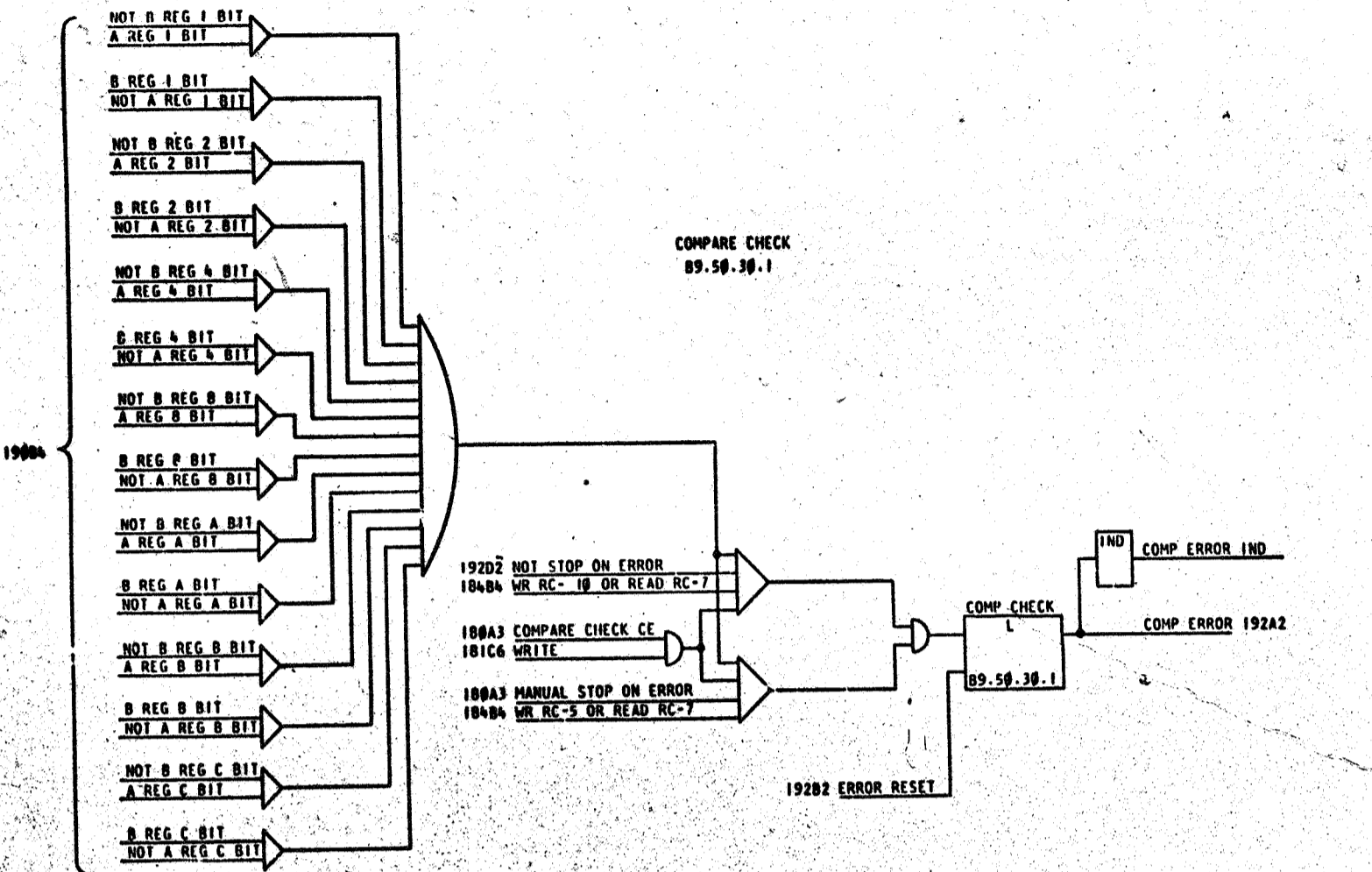


ECHO ERROR
B9.50.50.1



DATE	CHANGE NO.	DATE	CHANGE NO.	INTERNATIONAL BUSINESS MACHINES CORP.	
9-7-61	112226B	17-10-61	TA 37927 B	FIG 191	ERROR CIRCUITS I
7-6-65	124688	18-OCT-65	TA 32501 F		
				DESIGN	TYPE
				DETAIL	SCALE
				CHECK	DRAW VE 6-3-61
				APPRO	CHECK

723751



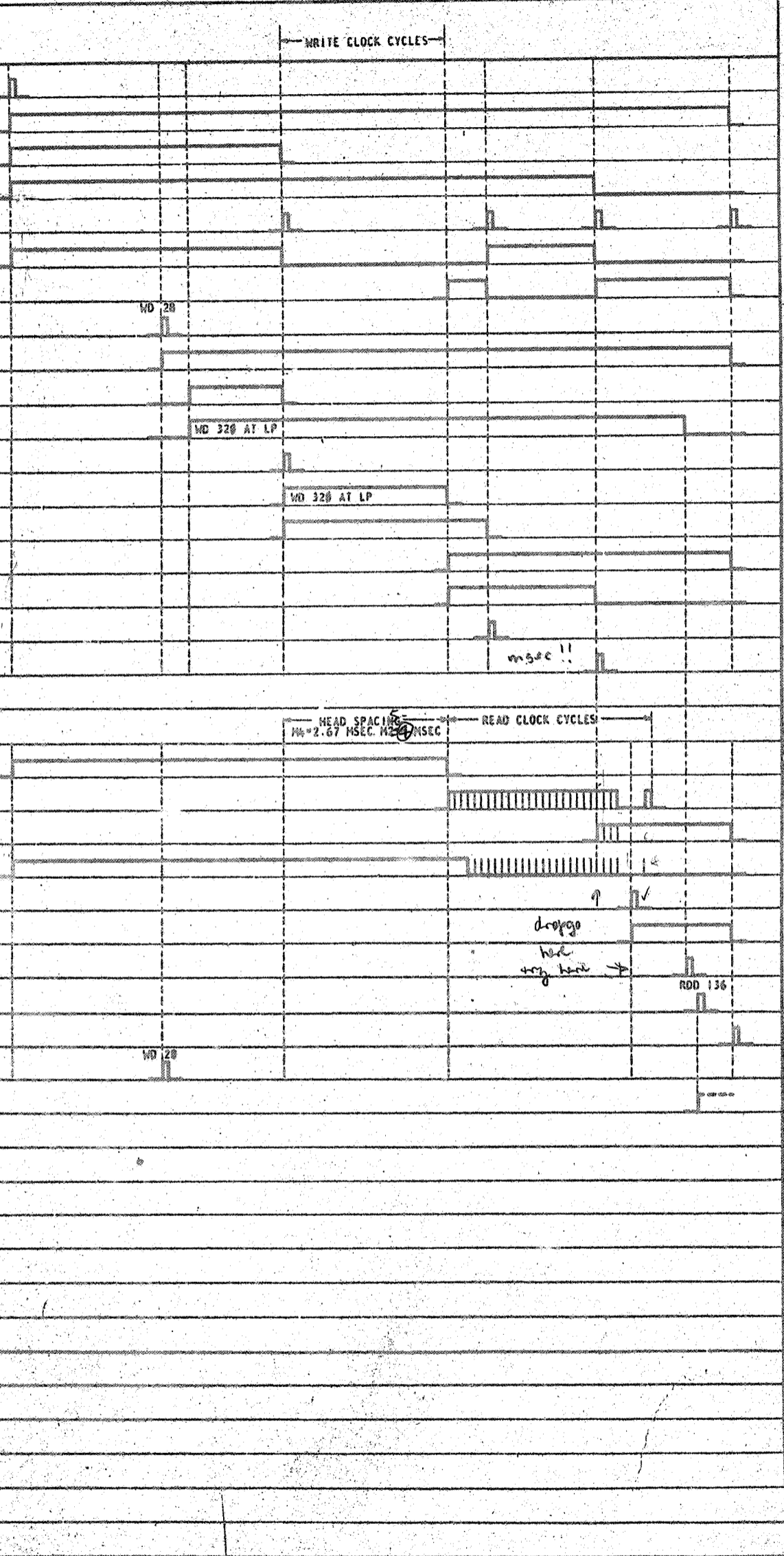
INTERNATIONAL BUSINESS MACHINES CORP					
DATE	CHANGE NO	DATE	CHANGE NO	FIG 192	ERROR CIRCUITS 2
4-1-61	112226-B	17.10.61	TA 37927 B		
7-6-65	124688	18.OKT65	TA 32501 E		
				DESIGN	TYPE
				DETAIL	SCALE
				CHECK	DRAW VI 6-3-61
				APPRO	CHECK

723762

723763

FIG 195

SIGNAL NAME	TEST POINT	LOGIC
+Y WR CALL		89.60.30.1
+Y WRITE		89.60.30.1
+Y WRITE DELAY		89.30.11.1
-Y GO		89.60.11.1
-Y DC RESET		89.30.31.1
-Y MSEC CTRL		89.30.20.1
+Y USEC CTRL		89.20.10.1
+Y WD 28 OR RD 28		89.30.52.1
+Y GATE ON FINAL AMPS		89.30.52.1
+Y WD 32		89.30.53.1
+Y READ COND		89.60.20.1
-Y D 50		89.30.52.1
+Y WRITE COND		89.60.30.1
+Y WR TR REL		89.60.31.1
-Y DISC LATCH		89.60.31.1
+Y WDD		89.30.11.1
-Y WDD 60		89.30.50.1
+Y WDD 20		89.30.51.1
+Y FIRST CHAR L		89.40.60.1
-Y FIRST BIT		89.40.60.1
-Y RDD		89.30.10.1
+Y WR RC-10 OR READ RC-7 RESET		89.10.31.1
+Y RDD 36		89.30.50.1
+Y CHECK CHAR L		89.40.61.1
+Y RDD 120		89.30.50.1
-Y RDD 120 OR RDD 110		89.30.55.1
+Y RDD 1/4 RESET		89.30.54.1
+Y ERROR RESET		89.50.01.1
+Y LACR ERROR		89.50.42.1



DATE	CHANGE NO.	DATE	CHANGE NO.	INTERNATIONAL BUSINESS MACHINES CORP.
9/7/61	113,230 B	17.10.61	28	FIG 195 729
				WRITE OPERATION
				DESIGN
				DETAIL
				CHECK
				APPRO
				TYPE
				SCALE
				DRAW VE 6-27-61
				CHECK

82

28

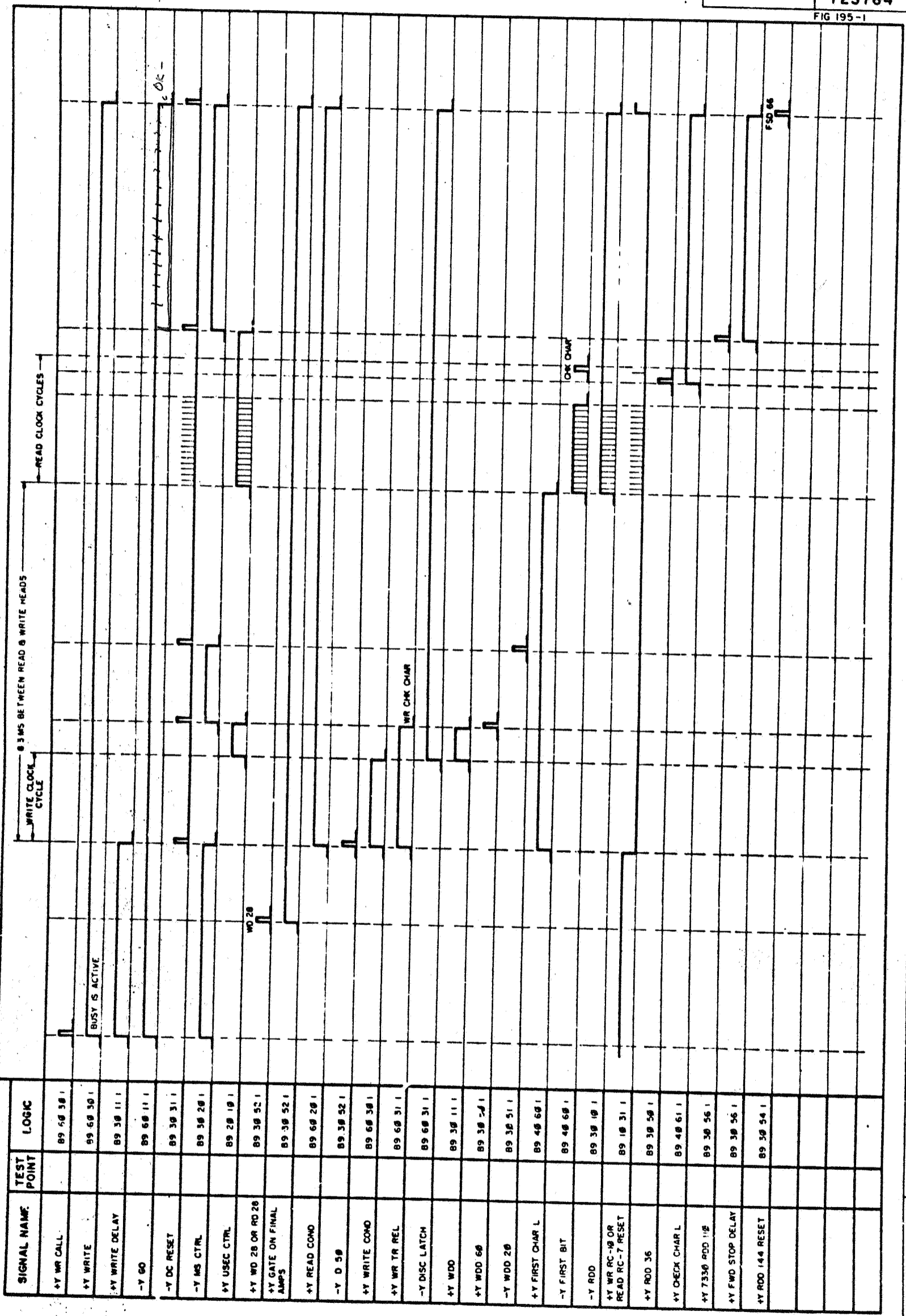
30 faults
 7.8ms
 1.8ms
 1/4
 of blank

WD 20
 to WD 26

9/17/61

7330 only

723764
FIG 195-1



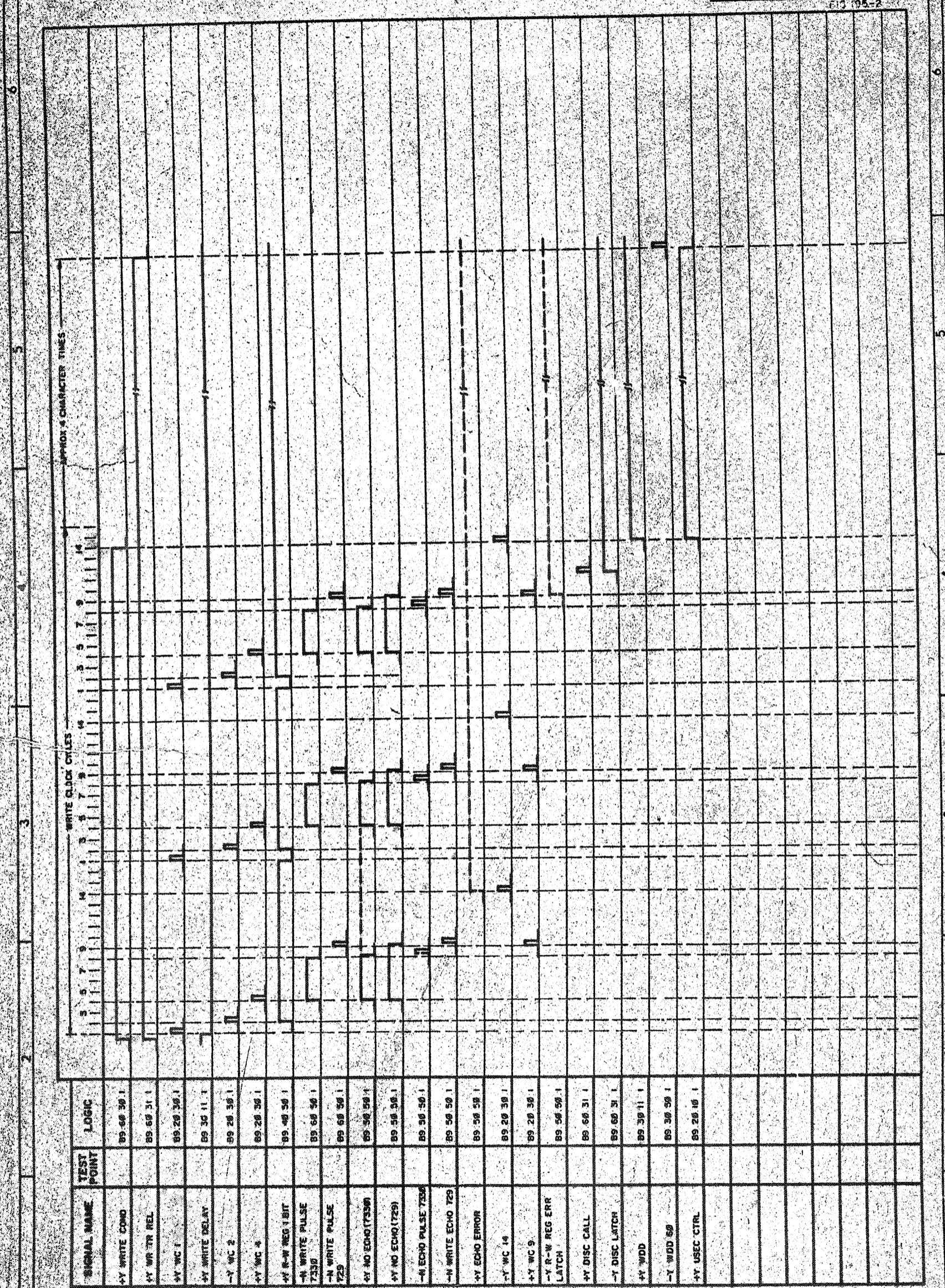
SIGNAL NAME	TEST POINT	LOGIC
+Y WR CALL		89 58 38 I
+Y WRITE		89 58 30 I
+Y WRITE DELAY		89 38 11 I
-Y GO		89 68 11 I
-Y DC RESET		89 38 31 I
-Y MS CTRL		89 38 28 I
+Y USEC CTRL		89 28 19 I
+Y WD 28 OR RD 28		89 38 52 I
+Y GATE ON FINAL AMPS		89 38 52 I
+Y READ COMO		89 68 28 I
-Y D 5B		89 38 52 I
+Y WRITE COMO		89 68 38 I
+Y WR TR REL		89 68 31 I
-Y DISC LATCH		89 68 31 I
+Y WDD		89 38 11 I
+Y WDD 6B		89 38 51 I
-Y WDD 2B		89 38 51 I
+Y FIRST CHAR L		89 48 68 I
-Y FIRST BIT		89 48 68 I
-Y RD		89 38 18 I
+Y WR RC-10 OR READ RC-7 RESET		89 18 31 I
+Y RD 36		89 38 58 I
+Y CHECK CHAR L		89 48 61 I
+Y 7330 RDD 11B		89 38 56 I
+Y FWD STOP DELAY		89 38 56 I
+Y RD 144 RESET		89 38 94 I

DATE	CHANGE NO	DATE	CHANGE NO	INTERNATIONAL BUSINESS MACHINES CORP	
9-7-67	112226B	TA 37927B	FIG 195-1	7330 WRITE OPERATION	
				DESIGN	TYPE
				DETAIL	SCALE
				CHECK	DRAW
				APPRO	CHECK

37927 B 723764

729

723765
FIG 195-2



SIGNAL NAME	TEST POINT	LOGIC
+Y WRITE COND		89 60 30 1
+Y WR TR REL		89 60 31 1
+Y WC 1		89 20 30 1
+Y WRITE DELAY		89 30 11 1
-Y WC 2		89 26 30 1
+Y WC 4		89 28 30 1
+Y R-W REG 1 BIT		89 40 30 1
-M WRITE PULSE 7330		89 60 50 1
-M WRITE PULSE 729		89 68 50 1
+Y NO ECHO (7330)		89 50 50 1
+Y NO ECHO (729)		89 58 50 1
-M ECHO PULSE 7330		89 30 50 1
-M WRITE ECHO 729		89 50 50 1
+Y ECHO ERROR		89 58 50 1
-Y WC 14		89 20 30 1
+Y WC 9		89 20 30 1
-Y R-W REG ERR LATCH		89 50 50 1
+Y DISC CALL		89 60 31 1
-Y DISC LATCH		89 60 31 1
+Y WDD		89 30 11 1
-Y WDD 50		89 30 50 1
+Y USEC CTRL		89 26 10 1

DATE	CHANGE NO	DATE	CHANGE NO	INTERNATIONAL BUSINESS MACHINES CORP
9-7-61	113 + 26 8	17-10-61	TA 37927B	FIG 195-2 WRITE CLOCK CYCLES
				729 7330 WRITE OPERATION
				DESIGN
				TYPE
				SCALE
				CHECK
				DRAW
				APPR

30

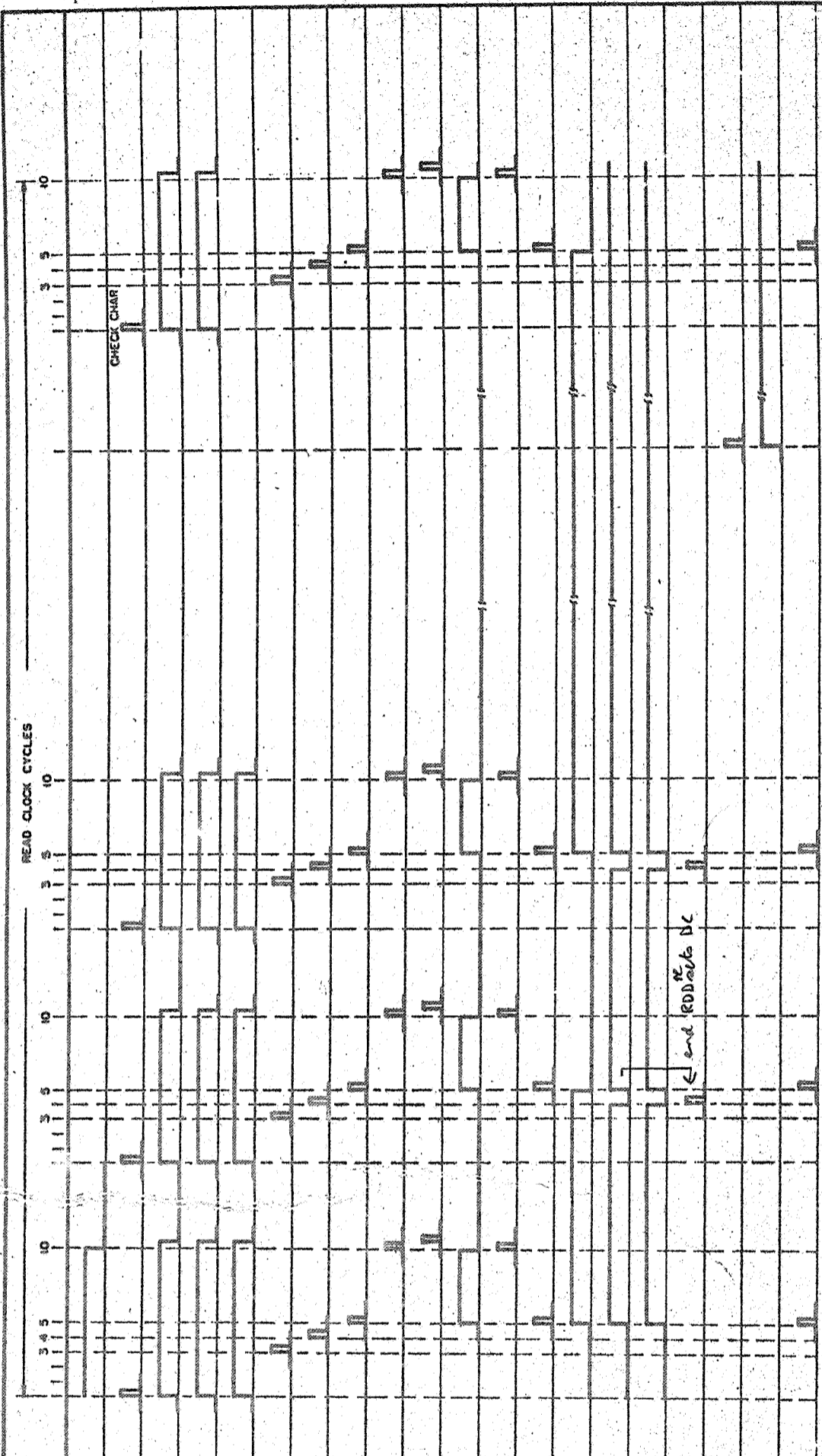
30

30

017510
001877

729

723766
FIG 195-3



check for this

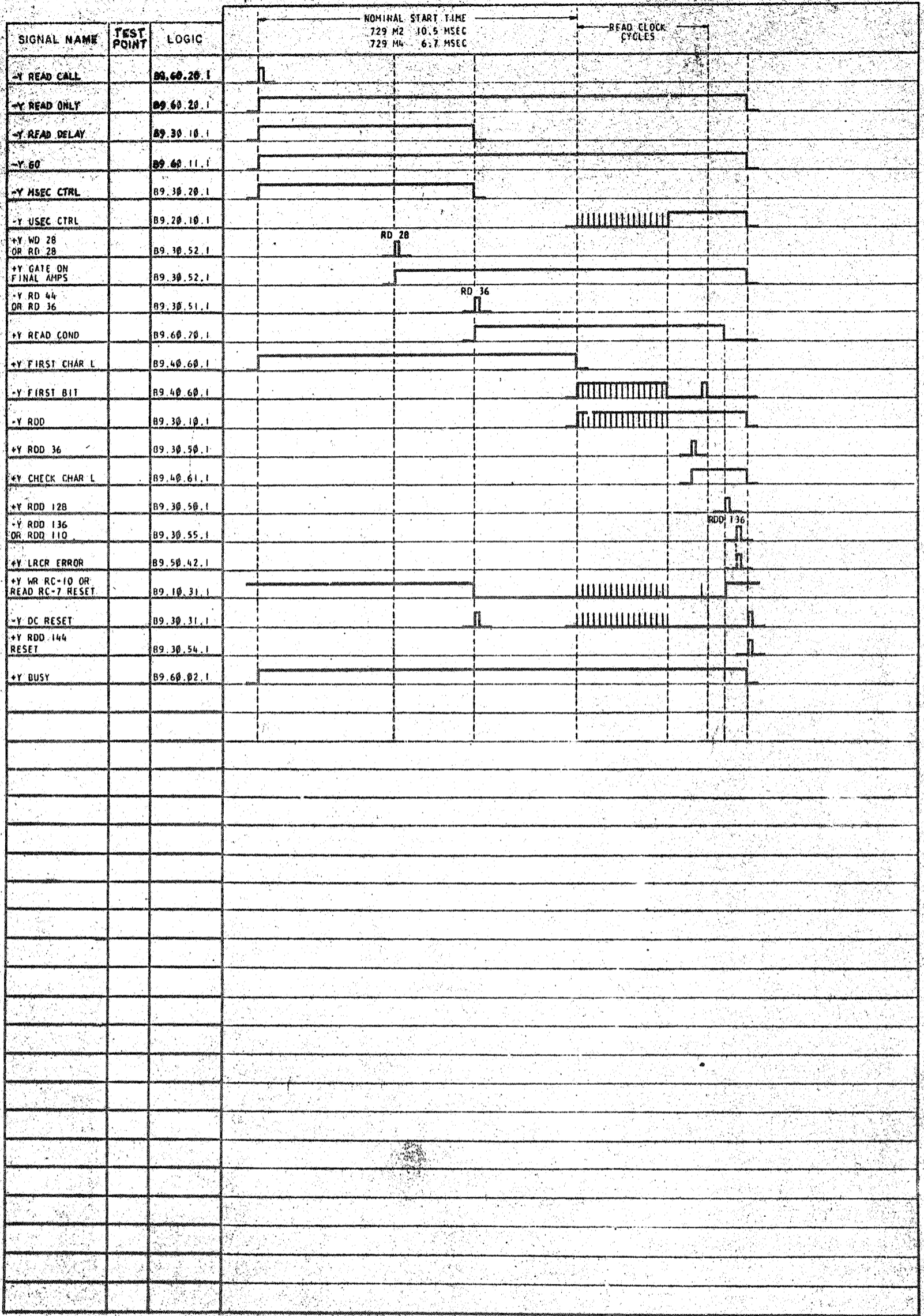
high clip pulse -> first bit -> arrives around clock -> RC4 etc.

SIGNAL NAME	TEST POINT	LOGIC
+Y FIRST CHAR L	B9 40 60 I	
-Y HI CLIP PULSE	B9 40 60 I	
-Y FIRST BIT	B9 40 60 I	
+Y A REG 1 BIT	B9 40 20 I	
+Y B REG 1 BIT	B9 40 20 I	
-Y RC 3	B9 10 30 I	
-Y RC 4	B9 10 30 I	
-Y WR RC-5 OR READ RC-7 CNT-2	B9 10 31 I	
-Y WR RC-10 OR READ RC-7	B9 10 31 I	
+Y WR RC-10 OR READ RC-7 RESET	B9 10 31 I	
+Y SKEW GATE	B9 10 31 I	
SAMPLE COMPARE ERROR	B9 50 30 I	
SAMPLE A REG WPC	B9 50 10 I	
+Y LPCR 1 BIT	B9 50 40 I	
-Y RDD	B9 30 10 I	
+Y USEC CTRL	B9 20 10 I	
-Y DC RESET	B9 30 31 I	
+Y RDD 36	B9 30 50 I	
+Y CHECK CHAR L	B9 40 61 I	
STOP ERR SW ON		
SPL COMPARE ERR	B9 50 30 I	

DATE	CHANGE NO	DATE	CHANGE NO	INTERNATIONAL BUSINESS MACHINES CORP
9-7-61	1123368	7-10-61	TA 37927B	FIG 195-3 READ CLOCK CYCLES
				729 7330 WRITE OPERATION
				DESIGN TYPE
				DETAIL SCALE
				CHECK DRAW
				APPRO CHECK

37927B 723766

31



DATE	CHANGE NO	DATE	CHANGE NO	INTERNATIONAL BUSINESS MACHINES CORP	
9-7-61	112268	17.10.61	TA 37927B	FIG 196	729 READ OPERATION
			32	DESIGN	TYPE
				DETAIL	SCALE
				CHECK	DRAW VE 7-12-61
				APPRO	CHECK

28

32

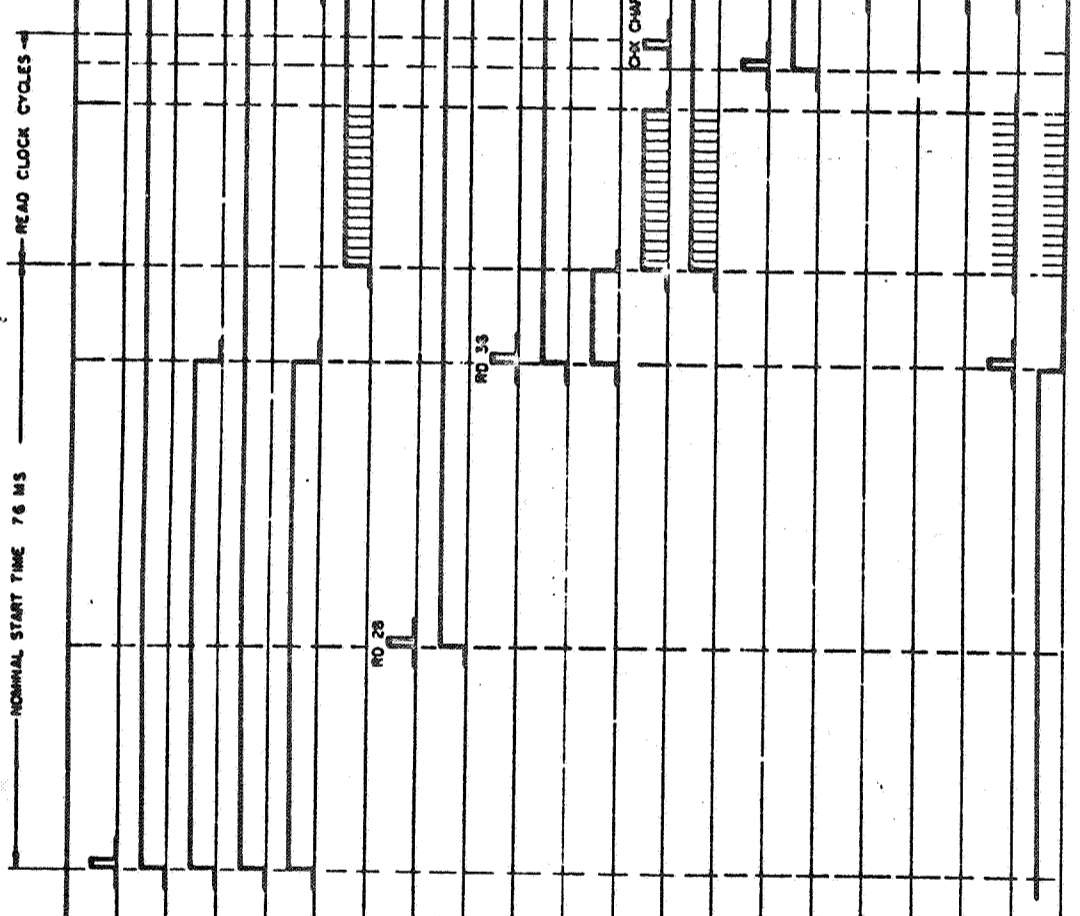
10/871 17615

723768

FIG 196-1

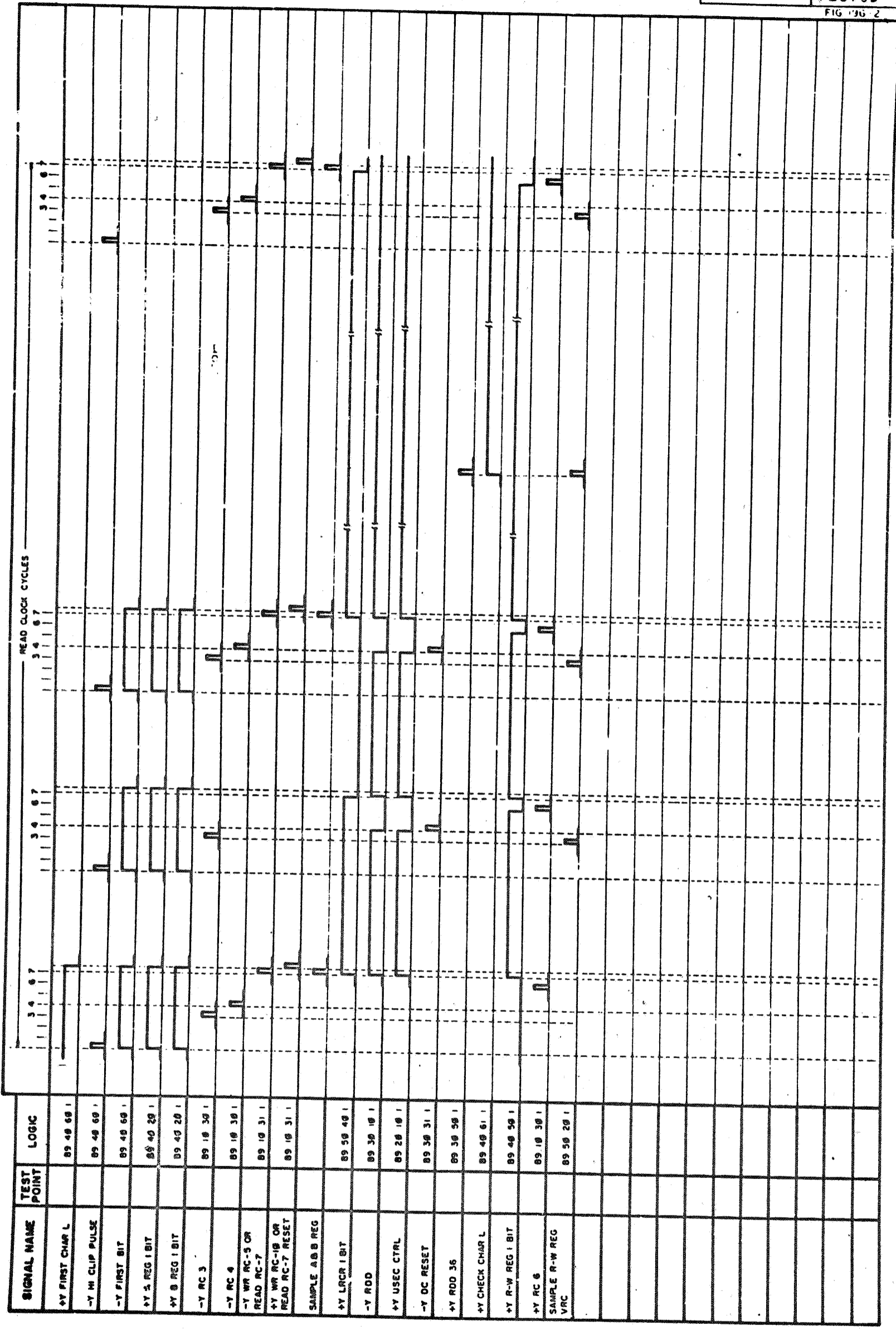
2 3 4 5 6

SIGNAL NAME	TEST POINT	LOGIC
-Y READ CALL		89 68 28 1
-Y READ ONLY		89 68 28 1
-Y READ DELAY		89 36 18 1
-Y 00		89 69 11 1
-Y MS CTRL		89 39 29 1
+Y USEC CTRL		89 29 18 1
+Y RD 28 OR RD 28		89 38 52 1
+Y GATE ON FINAL		89 38 52 1
-Y RD 44 OR RD 36		89 38 51 1
+Y READ COMB		89 68 28 1
+Y FIRST CHAR L		89 48 68 1
-Y FIRST SET		89 48 68 1
-Y RD		89 39 18 1
+Y RD 36		89 38 59 1
+Y CHECK CHAR L		89 48 61 1
+Y 7339 RD 18		89 38 50 1
+Y RD 14-8 RESET		89 38 54 1
+Y FWD STOP		89 38 56 1
-Y DC RESET		89 38 31 1
+Y WR RC-8 C3		89 18 31 1
READ RC-7 RESET		



DATE	CHANGE NO	DATE	CHANGE NO	DESCRIPTION
9-7-61	112236B	17.10.61	TA 37927R	FIG 196-1 7339 READ OPERATION

37927R
723 768



SIGNAL NAME	TEST POINT	LOGIC
+Y FIRST CHAR L		89 48 68 1
-Y M CLIP PULSE		89 48 68 1
-Y FIRST BIT		89 48 68 1
+Y A REG 1 BIT		89 48 28 1
+Y B REG 1 BIT		89 48 28 1
-Y RC 3		89 18 38 1
-Y RC 4		89 18 38 1
-Y WR RC-5 OR READ RC-7		89 18 31 1
+Y WR RC-10 OR READ RC-7 RESET		89 18 31 1
SAMPLE A,B,B REG		
+Y LR CR 1 BIT		89 58 48 1
-Y RDD		89 38 18 1
+Y USEC CTRL		89 28 18 1
-Y DC RESET		89 38 31 1
+Y RDD 36		89 38 58 1
+Y CHECK CHAR L		89 48 61 1
+Y R-W REG 1 BIT		89 48 58 1
+Y RC 6		89 18 38 1
SAMPLE R-W REG VRC		89 58 28 1

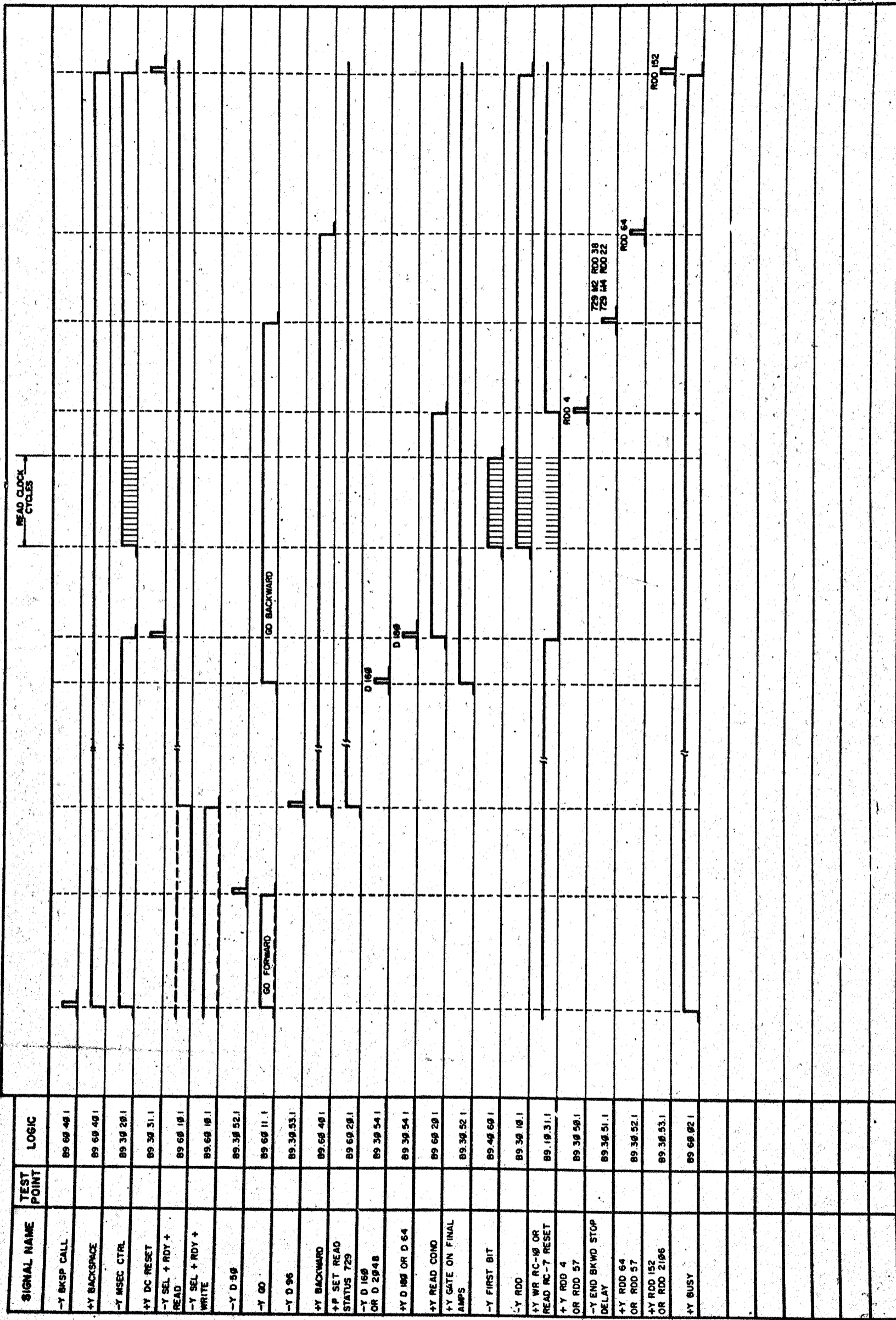
DATE	CHANGE NO	DATE	CHANGE NO	INTERNATIONAL BUSINESS MACHINES
9-7-61	1122268	11-19-61	PA 379278	FIG 196-2 READ CLOCK CYCLES
				729 7338 READ OPERATION
				DESIGN
				TYPE
				SCALE
				DRAW VE 712 81
				CHECK
				APPRO
				CHECK

723,769

37487 B

723770

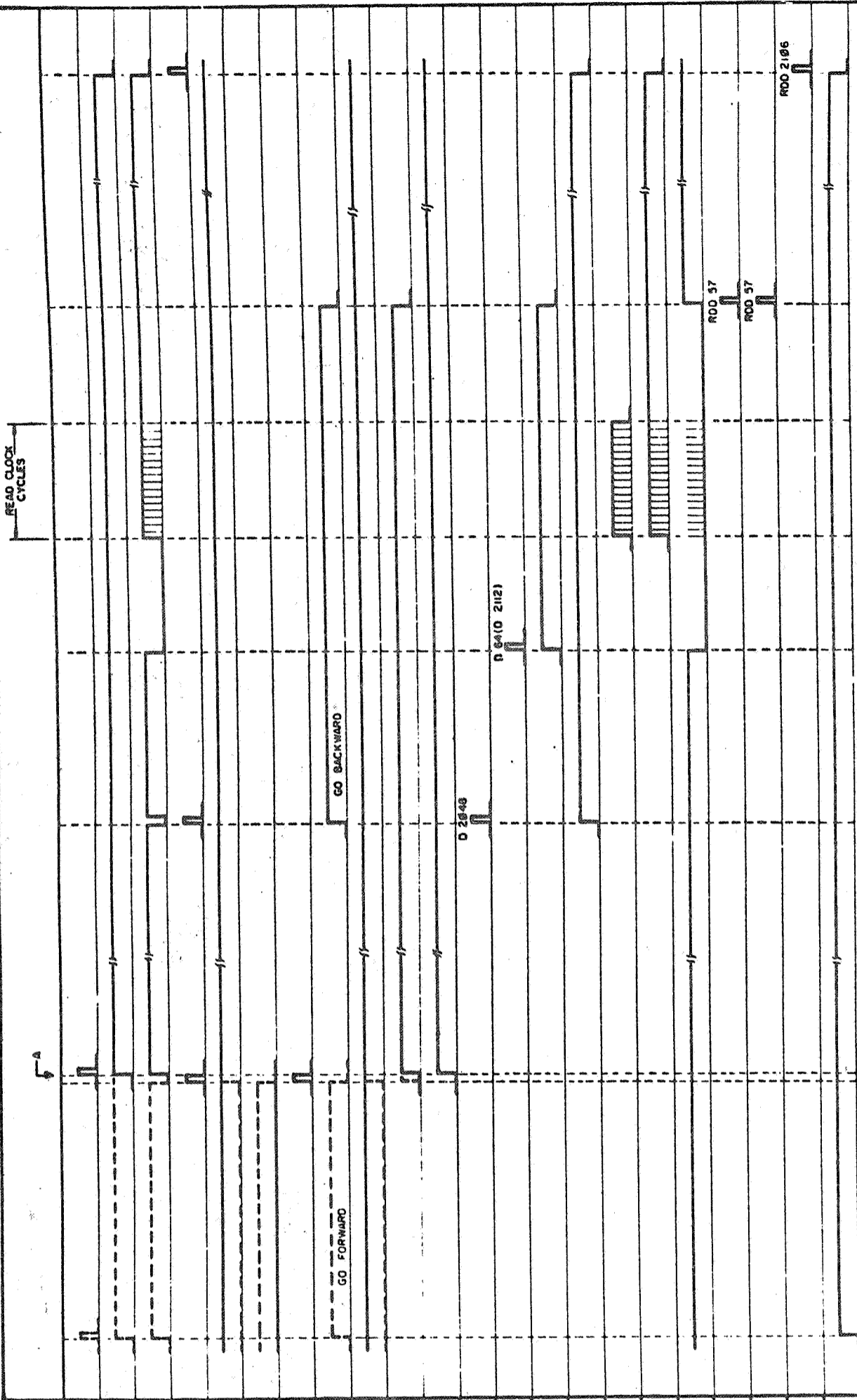
FIG 197



SIGNAL NAME	TEST POINT	LOGIC
-Y BKSP CALL		89 68 49 I
+Y BACKSPACE		89 68 49 I
-Y MSEC CTRL		89 38 28 I
+Y DC RESET		89 38 31 I
-Y SEL + RDY + READ		89 68 18 I
-Y SEL + RDY + WRITE		89 68 18 I
-Y D 99		89 38 52 I
-Y D 00		89 68 11 I
-Y D 96		89 38 53 I
+Y BACKWARD		89 68 48 I
+P SET READ STATUS 729		89 68 28 I
-Y D 166		89 38 54 I
+Y D 168 OR D 64		89 38 54 I
+Y READ COND		89 68 29 I
+Y GATE ON FINAL AMPS		89 38 52 I
-Y FIRST BIT		89 48 69 I
-Y RD0		89 38 18 I
+Y WR RC-16 OR READ RC-7 RESET		89 18 31 I
+Y RD0 4		89 38 58 I
+Y RD0 57		89 38 51 I
-Y END BKWD STOP DELAY		89 38 51 I
+Y RD0 64		89 38 52 I
+Y RD0 152		89 38 53 I
+Y BUSY		89 68 82 I

DATE	CHANGE NO	DATE	CHANGE NO	INTERNATIONAL BUSINESS MACHINES CORP	
9-7-61	1122268	17.10.61	TA 37927B	FIG 197	729 BACKSPACE OP
				DESIGN	TYPE
				DETAIL	SCALE
				CHECK	DRAW VE 7-18-61
				APPRO	CHECK

723770



NOTE: IF THE TAPE DRIVE IS IN READ STATUS AT THE START OF THE BACKSPACE, THE OPERATION BEGINS AT SECTION A-A

SIGNAL NAME	TEST POINT	LOGIC
-Y BKSP CALL		89 60 40 I
+Y BACKSPACE		89 60 40 I
-Y MSEC CTRL		89 30 20 I
+Y DC RESET		89 30 31 I
-Y SEL + RDY + READ		89 60 10 I
-Y SEL + RDY + WRITE		89 60 10 I
+Y 7338 WR BKSP D-128		89 30 53 I
-Y GO		89 60 11 I
-Y D 96		89 30 53 I
+Y BACKWARD		89 60 48 I
-N SET READ STATUS 7338		89 60 20 I
+Y D 168 OR D 2848		89 30 54 I
+Y D 188 OR D 64		89 30 54 I
+Y READ COND		89 60 20 I
+Y GATE ON FINAL AMPS		89 30 52 I
-Y FIRST BIT		89 40 60 I
-Y ROD		89 30 10 I
+Y WR RC-18 OR READ RC-7 RESET		89 10 31 I
+Y ROD 4 OR ROD 57		89 30 50 I
-Y END BKWD STOP DELAY		89 30 51 I
+Y ROD 152 OR ROD 2186		89 30 53 I
+Y BUSY		89 60 02 I

DATE	CHANGE NO	DATE	CHANGE NO	INTERNATIONAL BUSINESS MACHINES CORP	
9-7-61	1122268	7.1.61	1A 117927N	FIG 197-1	7338 BACKSPACE OP
				DESIGN	TYPE
				DETAIL	SCALE
				CHECK	DRAW
				APPRO	CHECK

723 771