

0402875

DISTRIBUTION SHEET

INCL PF

NO. 10.01.2

TAG DATE

-T BUFFER ENTRY
46.37.51.2

-T BUFFER ENTRY
46.10.01.2
-T BUFFER ENTRY
46.10.01.2

A 8.4.61
TA 37597A

B 5.3.63
TA 1770A

91-01AMP25K

COMMENTS

TAG DATE	FILE NO.	TAG DATE	FILE NO.	TAG DATE	FILE NO.	TAG DATE	FILE NO.
46-04-60	46310	10-12-62	46310				

482875
1770A

0482876

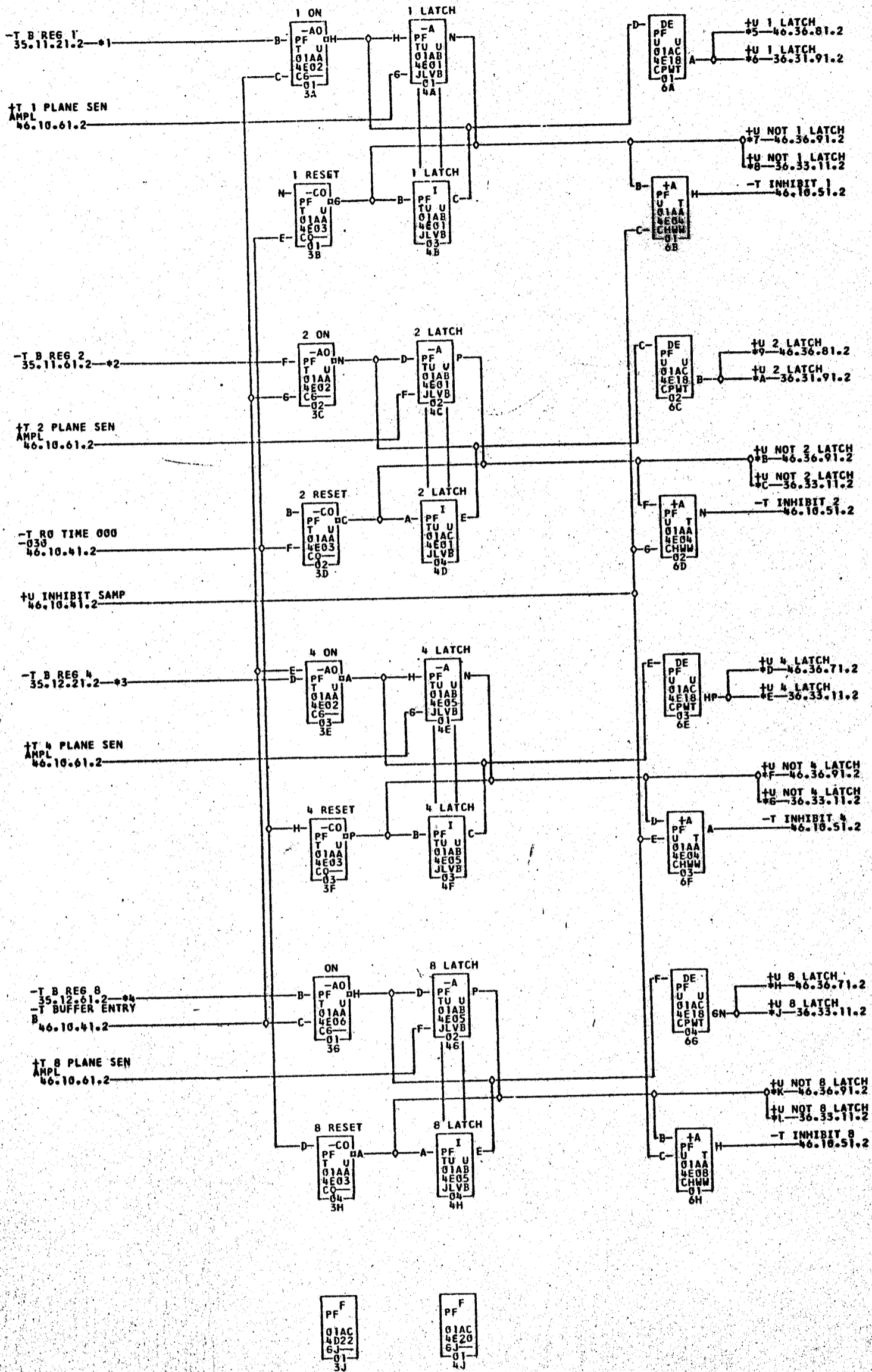
PRINT STORAGE LATCHES 1 2 4 8

1401 PF 46.10.21.2

TAG DATE

B 22.2.62
TA 1179

C 5.3.63
TA 1770A



- *1-01A4E26B
- *2-01A4E26C
- *3-01A4E26D
- *4-01A4E26E
- *5-01A4F26J
- *6-01A4D25A
- *7-01A4F26A
- *8-01A4D25H
- *9-01A4F26K
- *A-01A4D25B
- *B-01A4F26M
- *C-01A4D25J
- *D-01A4F26L
- *E-01A4D25C
- *F-01A4F26C
- *G-01A4D25K
- *H-01A4F26N
- *I-01A4D25L
- *J-01A4D25D

COMMENTS

TAG DATE	E.C.NO.	TAG DATE	E.C.NO.	TAG DATE	E.C.NO.	TAG DATE	E.C.NO.
A 09-06-60	109501	B 12-01-61	113422	C 12-07-62	116739		

482876
1770A

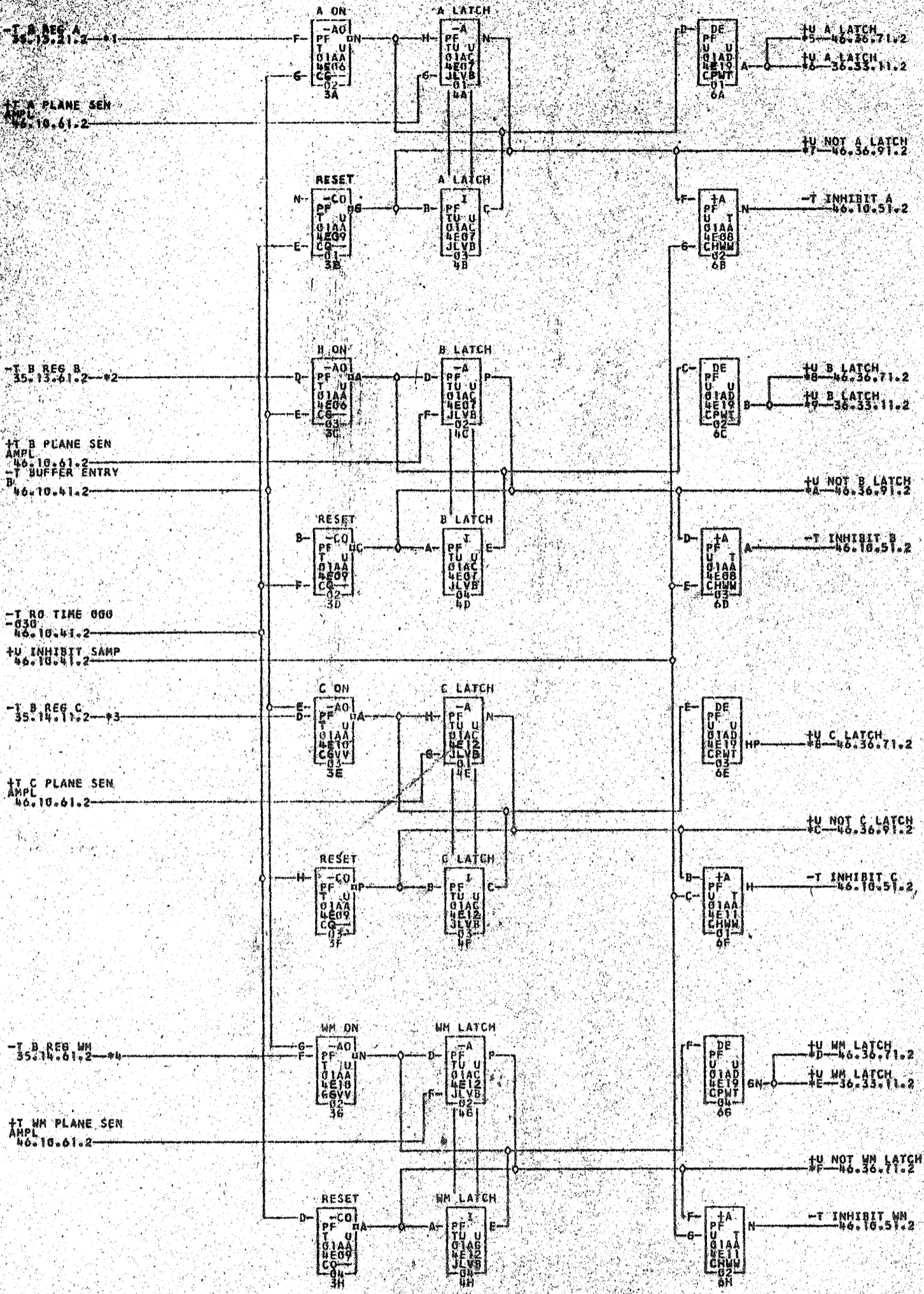
482877

PRINT STORAGE LATCHES A-B-C-WM

1401 PF 46.10.31.2

TAG DATE

C 22.2.62
TA 1179
D 5.3.63
TA 1770A



- *1-01ANF26F
- *2-01ANE26G
- *3-01ANE26H
- *4-01ANF26J
- *5-01ANF26N
- *6-01AND25E
- *7-01ANF26E
- *8-01ANF26P
- *9-01AND25F
- *A-01ANF26F
- *B-01ANF26Q
- *C-01ANF26E
- *D-01ANF26H
- *E-01AND25G
- *F-01ANF26H

COMMENTS

TAG DATE F.C. NO. TAG DATE F.C. NO. TAG DATE F.C. NO. TAG DATE F.C. NO.

A 07-04-60 189501 B 02-08-61 1188310 C 12-01-61 115422 D 12-01-62 116730

482877
1770A

0402878

PRINT STRG LYCHS WM-PEC-PLC-EQC

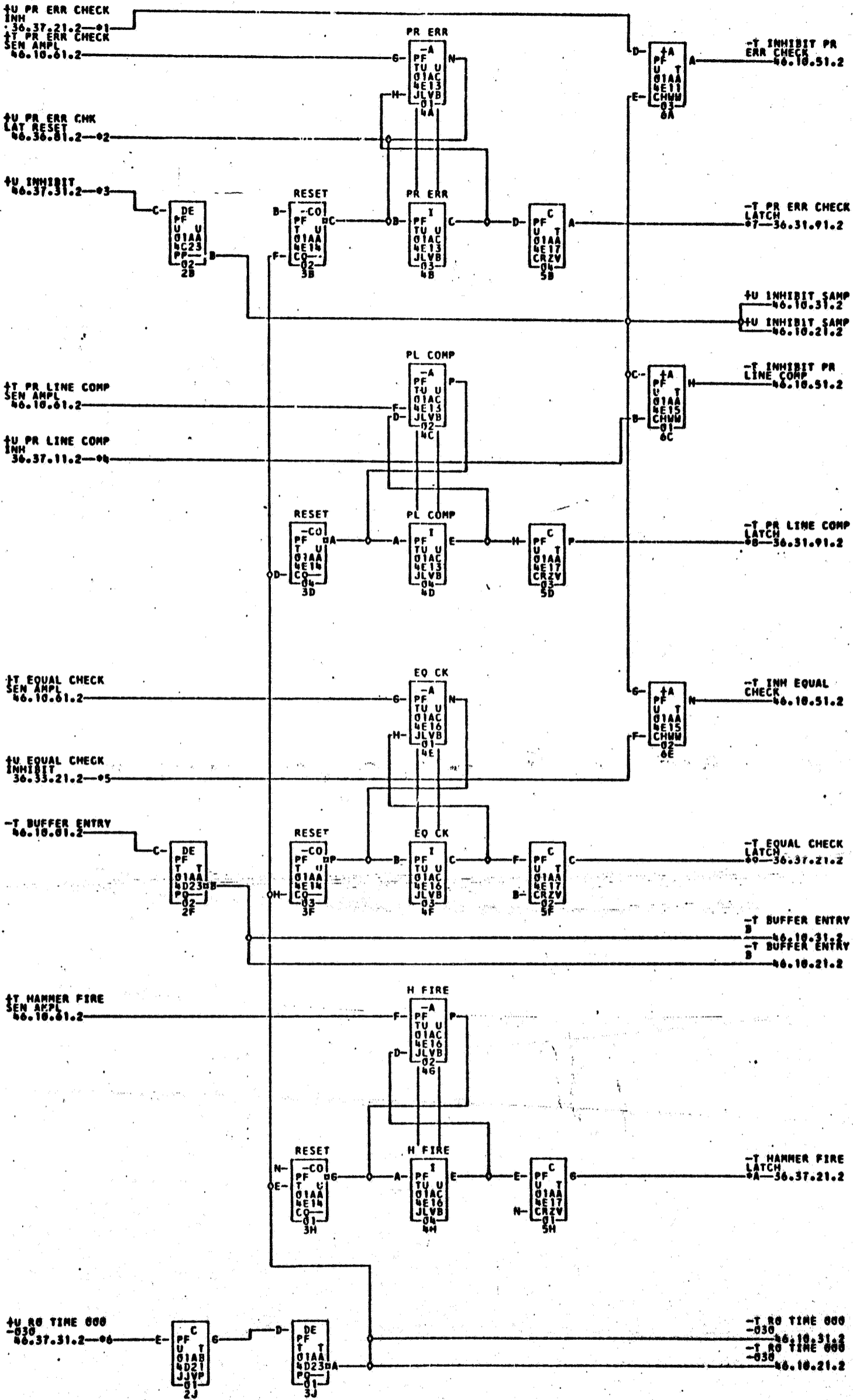
1401 PF

46.10.41.2

TAG DATE

C 22.2.62
TA 1179

D 5.3.63
TA 1770A

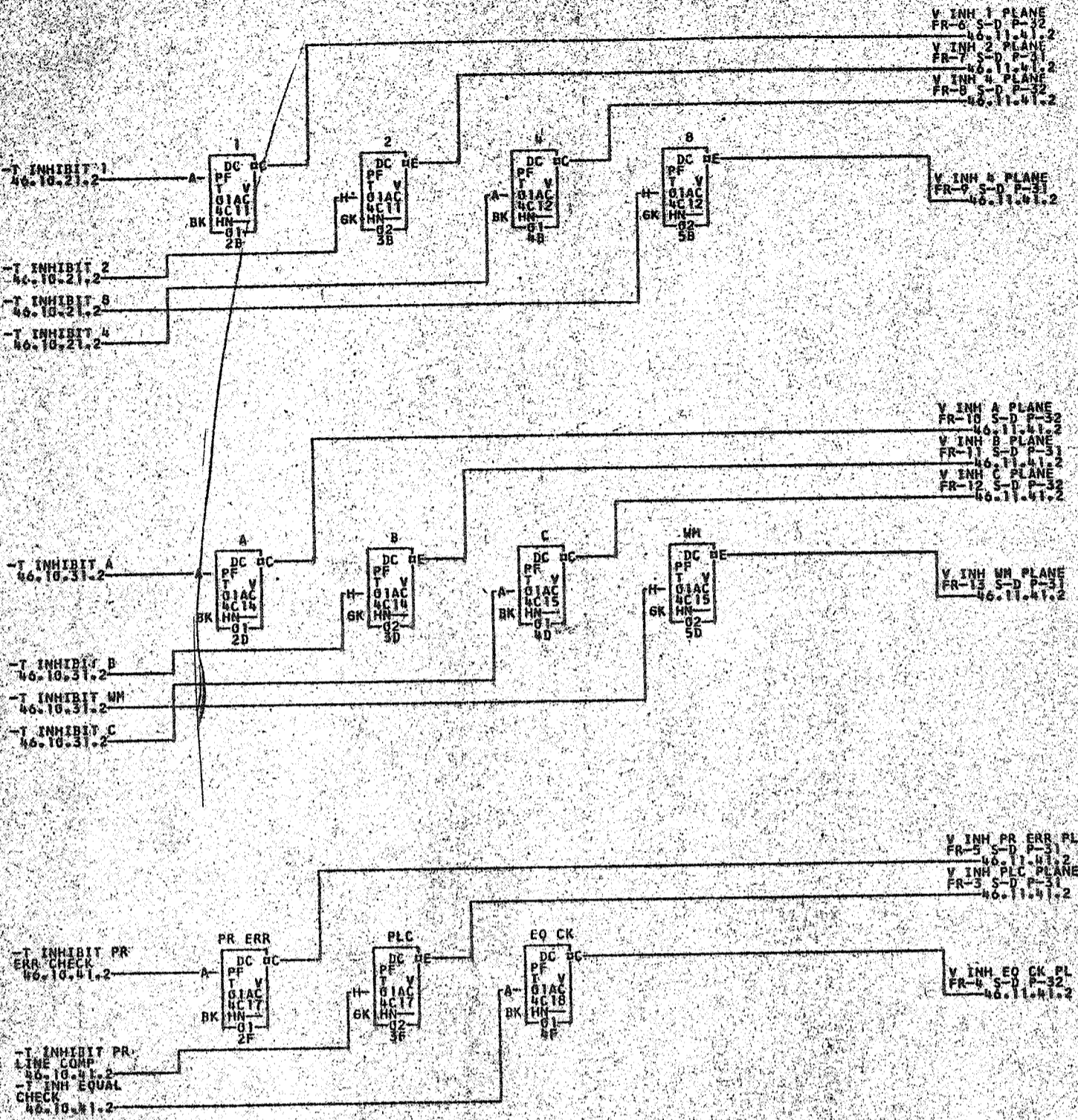


- *1-01A4E250
- *2-01A4E25R
- *3-01A4F25L
- *4-01A4E25J
- *5-01A4D25A
- *6-01A4F25J
- *7-01A4D25H
- *8-01A4D25N
- *9-01A4D25P
- *A-01A4D25Q

COMMENTS

TAG DATE	E.C. NO.	TAG DATE	E.C. NO.	TAG DATE	E.C. NO.	TAG DATE	E.C. NO.
A 09-06-60	109501	B 11-30-60	110413B	C 12-01-61	113422	D 12-07-62	116739

482878
1770A



482879

0482880

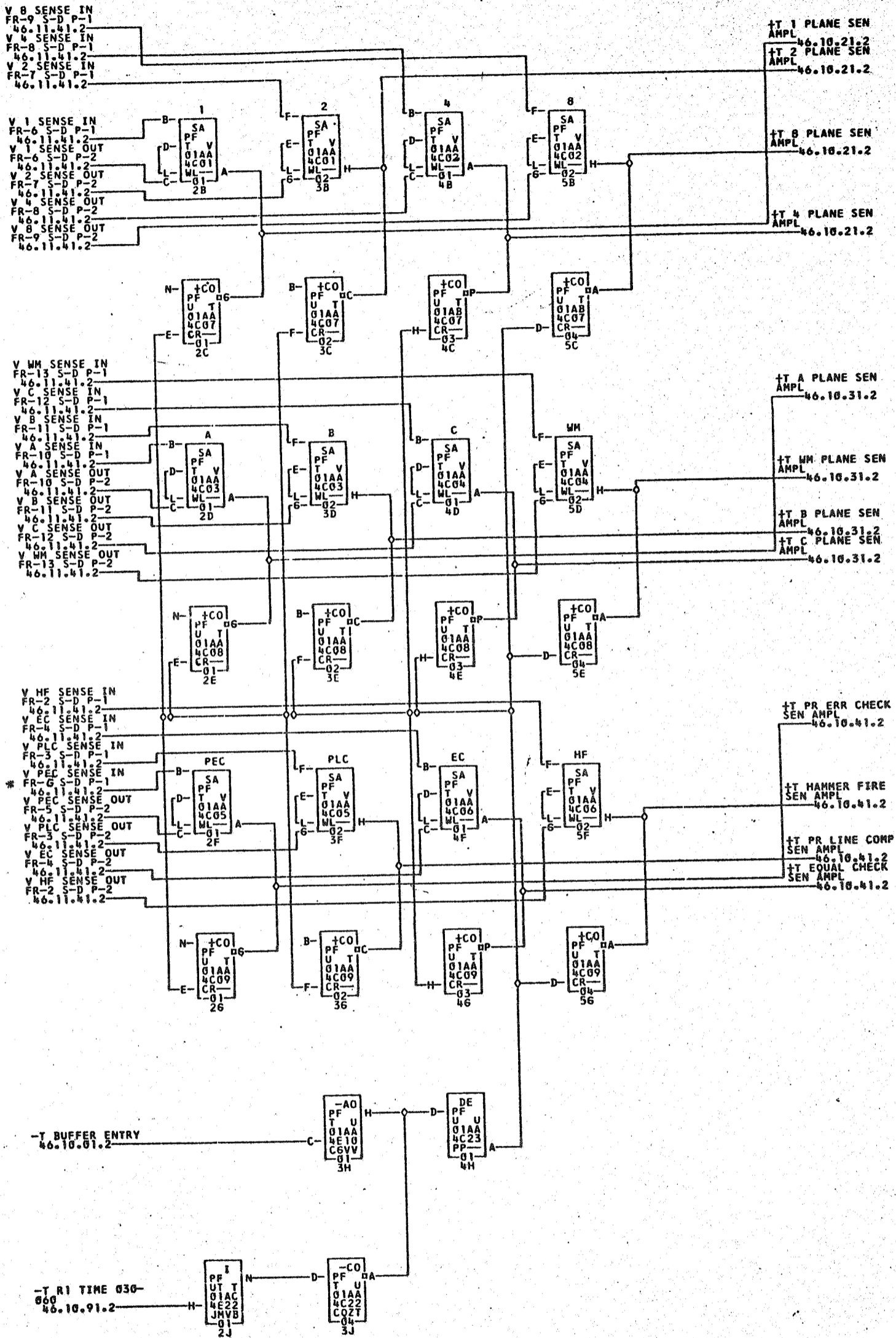
PRINT STORAGE SENSE AMPLIFIERS

1401 PF 46.10.61.2

TAG DATE

* 7.9.62
TA 1370L

D 5.3.63
TA 1770A



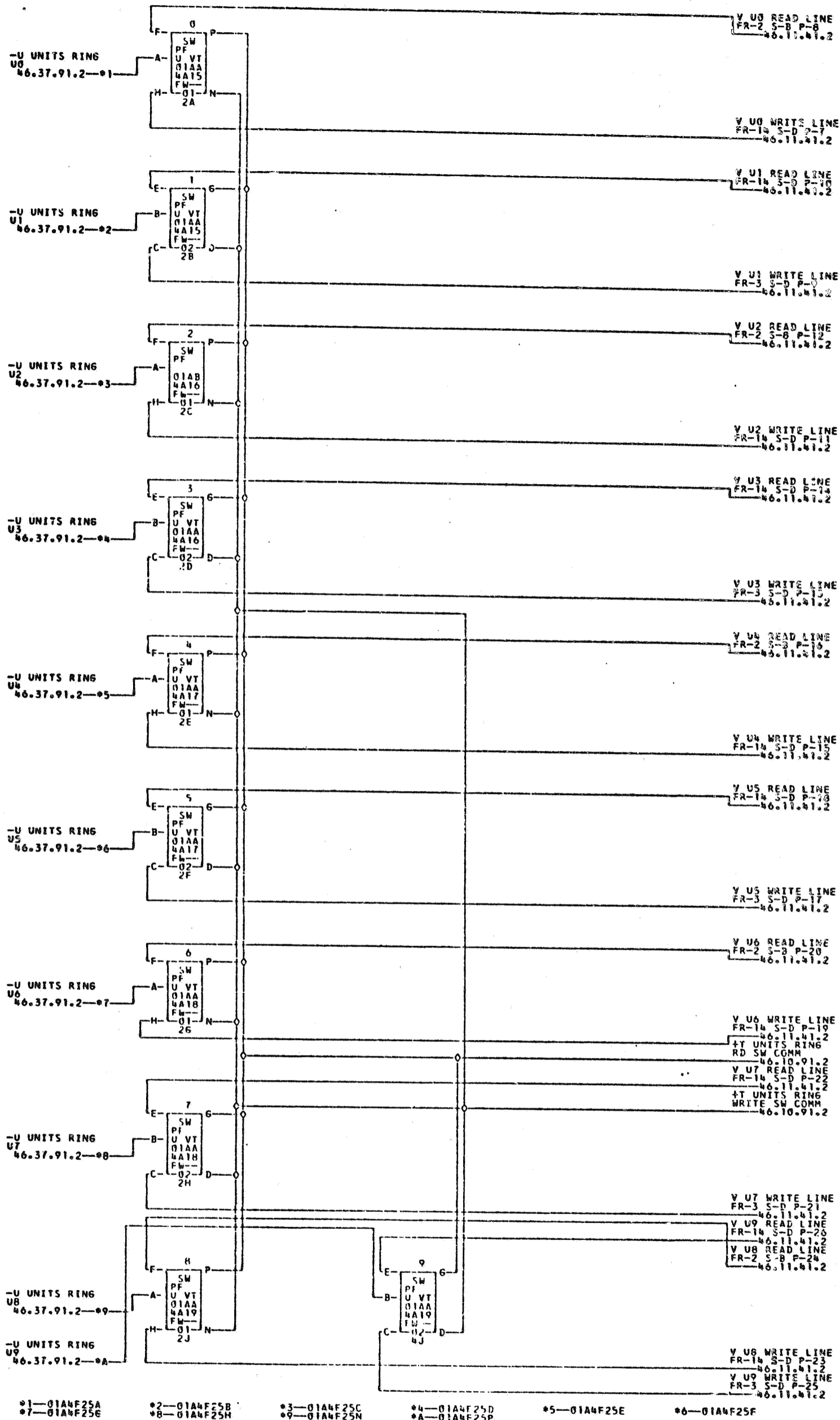
COMMENTS
FR MEANS FRAME S MEANS SIDE P MEANS PIN OR TERMINAL

TAG DATE	E.C.NO.	TAG DATE	E.C.NO.	TAG DATE	E.C.NO.	TAG DATE	E.C.NO.
A 09-06-60	109501	B 10-21-60	109520	C 12-01-61	115422	D 12-07-62	116739

482880
1770A

20.9.61
TA 37218C

D 5.3.63
TA 1770A



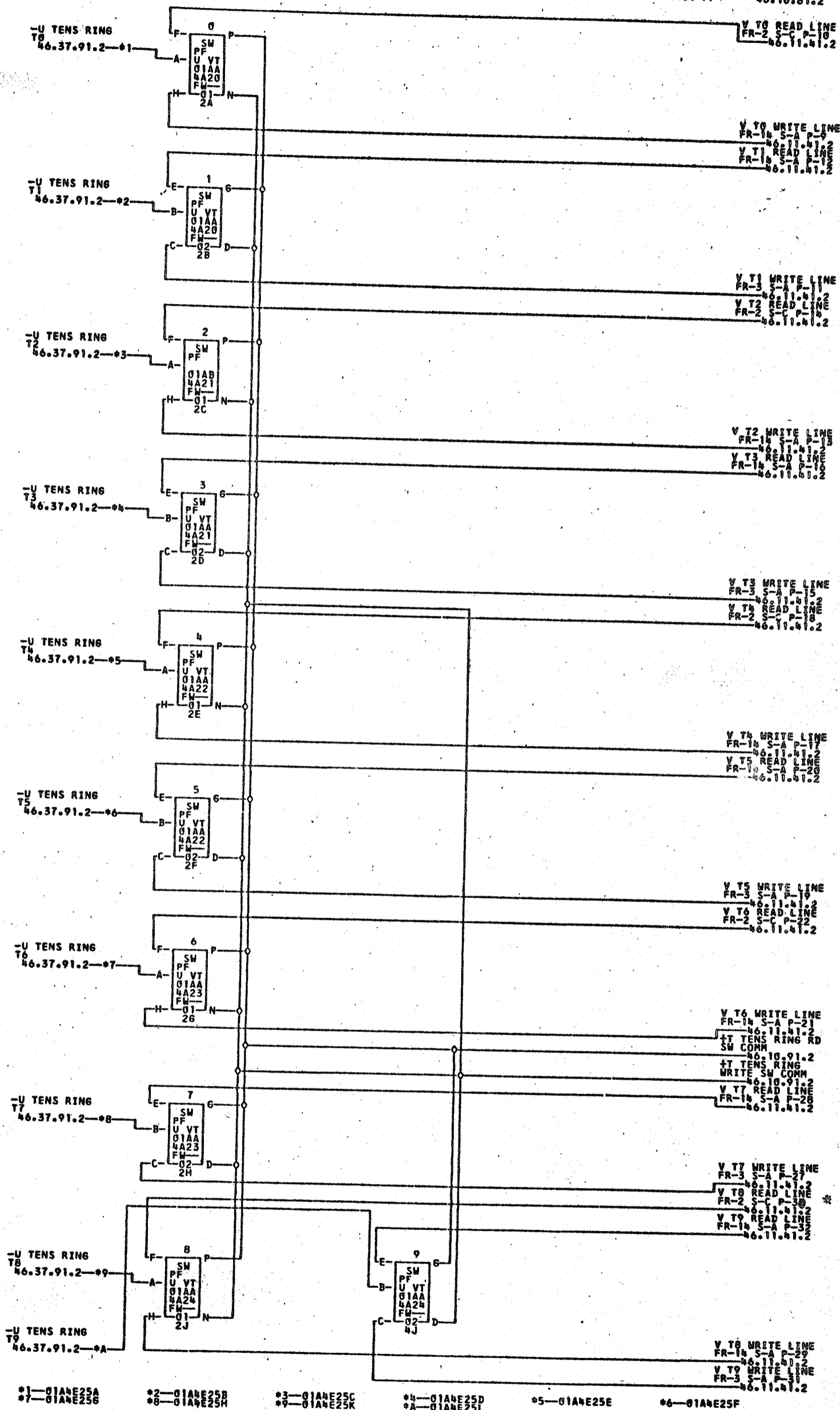
482881

FR MEANS FRAME S MEANS SIDE P MEANS PIN
 COMMENTS TAG DATE E.C.NO. TAG DATE E.C.NO. TAG DATE E.C.NO. TAG DATE E.C.NO.
 OR TERMINAL A 09-06-60 109501 B 10-21-60 109520 C 03-08-61 110431B D 12-07-62 116730

0482882

TENS RING SWITCHES

1401 PF 46.10.81.2



- *1-01ANE25A
- *2-01ANE25B
- *3-01ANE25C
- *4-01ANE25D
- *5-01ANE25E
- *6-01ANE25F
- *7-01ANE25G
- *8-01ANE25H
- *9-01ANE25K
- *A-01ANE25L

FR MEANS FRAME S MEANS SIDE P MEANS PIN TAG DATE E.C.NO. TAG DATE E.C.NO. TAG DATE E.C.NO. TAG DATE E.C.NO.
 OR TERMINAL A 09-06-60 109501 B 10-21-60 109520 C 12-07-62 116739

TAG DATE
 *13.10.61
 TA 37818H
 C 5.3.63
 TA 1770A

1770 A
 482882

0482883

TENS RING SWITCHES AND INHIBIT TERM

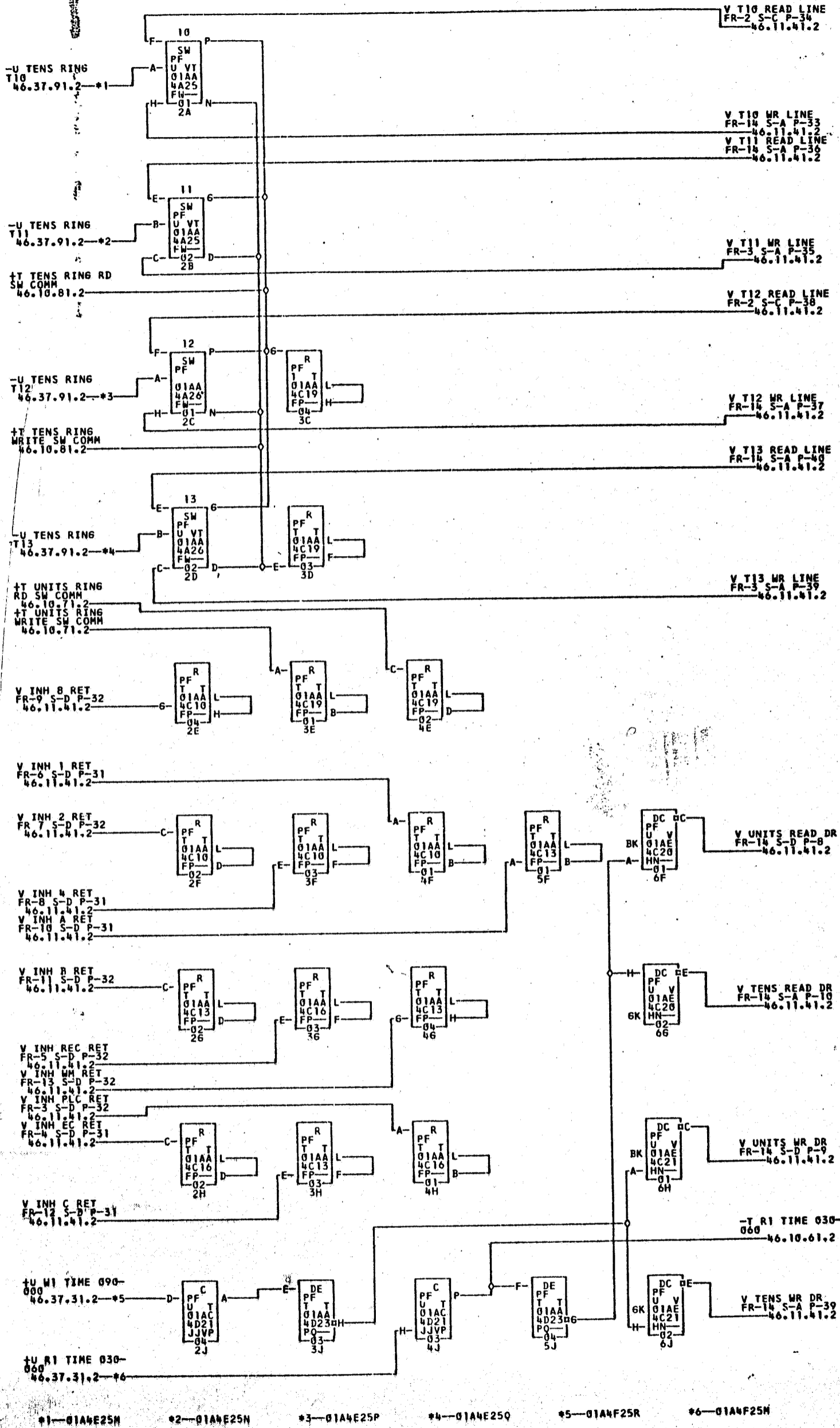
1401 PF

46.10.91.2

TAG DATE

D 22.2.62
TA 1179

E 5.3.63
TA 1770A



- *1-01A4E25M
- *2-01A4E25N
- *3-01A4E25P
- *4-01A4E25Q
- *5-01A4F25R
- *6-01A4F25M

FR MEANS FRAME
S MEANS SIDE
P MEANS PIN OR TERMINAL

COMMENTS

TAG DATE	E.C.NO.	TAG DATE	E.C.NO.	TAG DATE	E.C.NO.	TAG DATE	E.C.NO.
A 07-06-60	109501	B 10-21-60	109520	C 11-30-60	110415B	D 12-01-61	113422*
E 12-07-62	116739						

482883
 V
 H 0110A

0482884

HAMMER CHECK PLANE CONNECTIONS 1-33

1401 PF

46.11.01.2

TAG DATE

V HAMMER 1
RESPONSE
36.38.01.2-#1
V HAMMER 2
RESPONSE
36.38.01.2-#2
V HAMMER 3
RESPONSE
36.38.01.2-#3
V HAMMER 4
RESPONSE
36.38.01.2-#4
V HAMMER 5
RESPONSE
36.38.01.2-#5

V FR 1 SIDE D
PIN 5
46.11.41.2
V FR 1 SIDE D
PIN 6
46.11.41.2
V FR 1 SIDE D
PIN 11
46.11.41.2
V FR 1 SIDE D
PIN 14
46.11.41.2
V FR 1 SIDE D
PIN 17
46.11.41.2

20.9.81
TA 37618G
5.3.63
TA 1770A

V HAMMER 6
RESPONSE
36.38.01.2-#6
V HAMMER 7
RESPONSE
36.38.01.2-#7
V HAMMER 8
RESPONSE
36.38.01.2-#8
V HAMMER 9
RESPONSE
36.38.01.2-#9
V HAMMER 10
RESPONSE
36.38.01.2-#A

V FR 1 SIDE D
PIN 20
46.11.41.2
V FR 1 SIDE D
PIN 23
46.11.41.2
V FR 1 SIDE D
PIN 26
46.11.41.2
V FR 1 SIDE D
PIN 29
46.11.41.2
V FR 1 SIDE D
PIN 2
46.11.41.2

V HAMMER 11
RESPONSE
36.38.01.2-#B
V HAMMER 12
RESPONSE
36.38.01.2-#C
V HAMMER 13
RESPONSE
36.38.01.2-#D
V HAMMER 14
RESPONSE
36.38.01.2-#E
V HAMMER 15
RESPONSE
36.38.01.2-#F

V FR 1 SIDE D
PIN 4
46.11.41.2
V FR 1 SIDE D
PIN 9
46.11.41.2
V FR 1 SIDE D
PIN 12
46.11.41.2
V FR 1 SIDE D
PIN 15
46.11.41.2
V FR 1 SIDE D
PIN 18
46.11.41.2

V HAMMER 16
RESPONSE
36.38.01.2-#G
V HAMMER 17
RESPONSE
36.38.01.2-#H
V HAMMER 18
RESPONSE
36.38.01.2-#J
V HAMMER 19
RESPONSE
36.38.01.2-#K
V HAMMER 20
RESPONSE
36.38.01.2-#L

V FR 1 SIDE D
PIN 21
46.11.41.2
V FR 1 SIDE D
PIN 24
46.11.41.2
V FR 1 SIDE D
PIN 27
46.11.41.2
V FR 1 SIDE D
PIN 31
46.11.41.2
V FR 1 SIDE D
PIN 3
46.11.41.2

V HAMMER 21
RESPONSE
36.38.01.2-#M
V HAMMER 22
RESPONSE
36.38.01.2-#N
V HAMMER 23
RESPONSE
36.38.01.2-#P
V HAMMER 24
RESPONSE
36.38.01.2-#Q
V HAMMER 25
RESPONSE
36.38.01.2-#R

V FR 1 SIDE D
PIN 7
46.11.41.2
V FR 1 SIDE D
PIN 10
46.11.41.2
V FR 1 SIDE D
PIN 13
46.11.41.2
V FR 1 SIDE D
PIN 16
46.11.41.2
V FR 1 SIDE D
PIN 19
46.11.41.2

V HAMMER 26
RESPONSE
36.38.01.2-#S
V HAMMER 27
RESPONSE
36.38.01.2-#T
V HAMMER 28
RESPONSE
36.38.01.2-#U
V HAMMER 29
RESPONSE
36.38.01.2-#V
V HAMMER 30
RESPONSE
36.38.01.2-#W

V FR 1 SIDE D
PIN 22
46.11.41.2
V FR 1 SIDE D
PIN 25
46.11.41.2
V FR 1 SIDE D
PIN 28
46.11.41.2
V FR 1 SIDE D
PIN 32
46.11.41.2
V FR 1 SIDE D
PIN 5
46.11.41.2

V HAMMER 31
RESPONSE
36.38.01.2-#X
V HAMMER 32
RESPONSE
36.38.01.2-#Y
V HAMMER 33
RESPONSE
36.38.01.2-#Z

V FR 1 SIDE D
PIN 8
46.11.41.2
V FR 1 SIDE D
PIN 7
46.11.41.2
V FR 1 SIDE D
PIN 8
46.11.41.2

- #1-01A4A01A
- #2-01A4A02A
- #3-01A4A03A
- #4-01A4A04A
- #5-01A4A05A
- #6-01A4A06A
- #7-01A4A07A
- #8-01A4A08A
- #9-01A4A09A
- #A-01A4A09A
- #B-01A4A09A
- #C-01A4A09A
- #D-01A4A09A
- #E-01A4A09A
- #F-01A4A09A
- #G-01A4A09A
- #H-01A4A09A
- #I-01A4A09A
- #J-01A4A09A
- #K-01A4A09A
- #L-01A4A09A
- #M-01A4A09A
- #N-01A4A09A
- #O-01A4A09A
- #P-01A4A09A
- #Q-01A4A09A
- #R-01A4A09A
- #S-01A4A09A
- #T-01A4A09A
- #U-01A4A09A
- #V-01A4A09A
- #W-01A4A09A
- #X-01A4A09A
- #Y-01A4A09A
- #Z-01A4A09A

COMMENTS

TAG DATE	E.C.NO.	TAG DATE	E.C.NO.	TAG DATE	E.C.NO.
A 09-06-60	107301	B 12-07-62	114739		

482884

V HAMMER 34 RESPONSE 36.38.91.2-01	V FR 1 SIDE A PIN 9 46.11.41.2
V HAMMER 35 RESPONSE 36.38.91.2-02	V FR 1 SIDE C PIN 9 46.11.41.2
V HAMMER 36 RESPONSE 36.38.91.2-03	V FR 1 SIDE C PIN 8 46.11.41.2
V HAMMER 37 RESPONSE 36.38.91.2-04	V FR 1 SIDE C PIN 7 46.11.41.2
V HAMMER 38 RESPONSE 36.38.91.2-05	V FR 1 SIDE C PIN 6 46.11.41.2
V HAMMER 39 RESPONSE 36.38.91.2-06	V FR 1 SIDE C PIN 5 46.11.41.2
V HAMMER 40 RESPONSE 36.39.01.2-07	V FR 1 SIDE A PIN 10 46.11.41.2
V HAMMER 41 RESPONSE 36.39.01.2-08	V FR 1 SIDE A PIN 11 46.11.41.2
V HAMMER 42 RESPONSE 36.39.01.2-09	V FR 1 SIDE A PIN 12 46.11.41.2
V HAMMER 43 RESPONSE 36.39.01.2-0A	V FR 1 SIDE A PIN 13 46.11.41.2
V HAMMER 44 RESPONSE 36.39.01.2-0B	V FR 1 SIDE A PIN 14 46.11.41.2
V HAMMER 45 RESPONSE 36.39.01.2-0C	V FR 1 SIDE C PIN 14 46.11.41.2
V HAMMER 46 RESPONSE 36.39.01.2-0D	V FR 1 SIDE C PIN 13 46.11.41.2
V HAMMER 47 RESPONSE 36.39.01.2-0E	V FR 1 SIDE C PIN 12 46.11.41.2
V HAMMER 48 RESPONSE 36.39.01.2-0F	V FR 1 SIDE C PIN 11 46.11.41.2
V HAMMER 49 RESPONSE 36.39.01.2-0G	V FR 1 SIDE C PIN 10 46.11.41.2
V HAMMER 50 RESPONSE 36.39.11.2-0H	V FR 1 SIDE A PIN 15 46.11.41.2
V HAMMER 51 RESPONSE 36.39.11.2-0J	V FR 1 SIDE A PIN 16 46.11.41.2
V HAMMER 52 RESPONSE 36.39.11.2-0K	V FR 1 SIDE A PIN 17 46.11.41.2
V HAMMER 53 RESPONSE 36.39.11.2-0L	V FR 1 SIDE A PIN 18 46.11.41.2
V HAMMER 54 RESPONSE 36.39.11.2-0M	V FR 1 SIDE A PIN 19 46.11.41.2
V HAMMER 55 RESPONSE 36.39.11.2-0N	V FR 1 SIDE C PIN 19 46.11.41.2
V HAMMER 56 RESPONSE 36.39.11.2-0P	V FR 1 SIDE C PIN 18 46.11.41.2
V HAMMER 57 RESPONSE 36.39.11.2-0Q	V FR 1 SIDE C PIN 17 46.11.41.2
V HAMMER 58 RESPONSE 36.39.11.2-0R	V FR 1 SIDE C PIN 16 46.11.41.2
V HAMMER 59 RESPONSE 36.39.11.2-0S	V FR 1 SIDE C PIN 15 46.11.41.2
V HAMMER 60 RESPONSE 36.39.21.2-0T	V FR 1 SIDE A PIN 20 46.11.41.2
V HAMMER 61 RESPONSE 36.39.21.2-0U	V FR 1 SIDE A PIN 21 46.11.41.2
V HAMMER 62 RESPONSE 36.39.21.2-0V	V FR 1 SIDE A PIN 22 46.11.41.2
V HAMMER 63 RESPONSE 36.39.21.2-0W	V FR 1 SIDE A PIN 23 46.11.41.2
V HAMMER 64 RESPONSE 36.39.21.2-0X	V FR 1 SIDE A PIN 24 46.11.41.2
V HAMMER 65 RESPONSE 36.39.21.2-0Y	V FR 1 SIDE C PIN 24 46.11.41.2
V HAMMER 76 RESPONSE 36.39.21.2-0Z	V FR 1 SIDE C PIN 23 46.11.41.2

A 8.4.61
TA 37597A
B 5.3.63
TA 1770A

- | | | | | | |
|-------------|-------------|-------------|-------------|-------------|-------------|
| *1-01A4A04D | *2-01A4A05D | *3-01A4A06D | *4-01A4A07D | *5-01A4A08D | *6-01A4A09D |
| *7-01A4A03R | *8-01A4A01E | *9-01A4A02E | *A-01A4A03E | *B-01A4A04E | *C-01A4A05E |
| *D-01A4A06E | *E-01A4A07E | *F-01A4A08E | *G-01A4A09E | *H-01A4A04Q | *J-01A4A01F |
| *K-01A4A02F | *L-01A4A03F | *M-01A4A04F | *N-01A4A05F | *P-01A4A06F | *Q-01A4A07F |
| *R-01A4A08F | *S-01A4A09F | *T-01A4A04R | *U-01A4A016 | *V-01A4A026 | *W-01A4A036 |
| *X-01A4A046 | *Y-01A4A056 | *Z-01A4A066 | | | |

COMMENTS TAG DATE E.C.NO. TAG DATE E.C.NO. TAG DATE E.C.NO. TAG DATE E.C.NO.

A 09-06-60 109501 B 12-07-62 116739

482885

0482886

HAMMER CHECK PLANE CONNECTIONS 67-99

1401 PF 46.11.21.2

TAG DATE

A 8.4.61
TA 37597A

B 5.3.63
TA 1770A

V HAMMER 07 RESPONSE 36.39.21.2-01	V FR 1 SIDE C PIN 22
V HAMMER 08 RESPONSE 36.39.21.2-02	V FR 1 SIDE C PIN 21
V HAMMER 09 RESPONSE 36.39.21.2-03	V FR 1 SIDE C PIN 20
V HAMMER 70 RESPONSE 36.39.31.2-04	V FR 1 SIDE A PIN 25
V HAMMER 71 RESPONSE 36.39.31.2-05	V FR 1 SIDE A PIN 26
V HAMMER 72 RESPONSE 36.39.31.2-06	V FR 1 SIDE A PIN 27
V HAMMER 73 RESPONSE 36.39.31.2-07	V FR 1 SIDE A PIN 28
V HAMMER 74 RESPONSE 36.39.31.2-08	V FR 1 SIDE A PIN 29
V HAMMER 75 RESPONSE 36.39.31.2-09	V FR 1 SIDE C PIN 29
V HAMMER 76 RESPONSE 36.39.31.2-0A	V FR 1 SIDE C PIN 28
V HAMMER 77 RESPONSE 36.39.31.2-0B	V FR 1 SIDE C PIN 27
V HAMMER 78 RESPONSE 36.39.31.2-0C	V FR 1 SIDE C PIN 26
V HAMMER 79 RESPONSE 36.39.31.2-0D	V FR 1 SIDE C PIN 25
V HAMMER 80 RESPONSE 36.39.41.2-0E	V FR 1 SIDE A PIN 30
V HAMMER 81 RESPONSE 36.39.41.2-0F	V FR 1 SIDE A PIN 31
V HAMMER 82 RESPONSE 36.39.41.2-0G	V FR 1 SIDE A PIN 32
V HAMMER 83 RESPONSE 36.39.41.2-0H	V FR 1 SIDE A PIN 33
V HAMMER 84 RESPONSE 36.39.41.2-0I	V FR 1 SIDE A PIN 34
V HAMMER 85 RESPONSE 36.39.41.2-0K	V FR 1 SIDE C PIN 34
V HAMMER 86 RESPONSE 36.39.41.2-0L	V FR 1 SIDE C PIN 33
V HAMMER 87 RESPONSE 36.39.41.2-0M	V FR 1 SIDE C PIN 32
V HAMMER 88 RESPONSE 36.39.41.2-0N	V FR 1 SIDE C PIN 31
V HAMMER 89 RESPONSE 36.39.41.2-0P	V FR 1 SIDE C PIN 30
V HAMMER 90 RESPONSE 36.39.51.2-0Q	V FR 1 SIDE A PIN 35
V HAMMER 91 RESPONSE 36.39.51.2-0R	V FR 1 SIDE A PIN 36
V HAMMER 92 RESPONSE 36.39.51.2-0S	V FR 1 SIDE A PIN 37
V HAMMER 93 RESPONSE 36.39.51.2-0T	V FR 1 SIDE A PIN 38
V HAMMER 94 RESPONSE 36.39.51.2-0U	V FR 1 SIDE A PIN 39
V HAMMER 95 RESPONSE 36.39.51.2-0V	V FR 1 SIDE C PIN 39
V HAMMER 96 RESPONSE 36.39.51.2-0W	V FR 1 SIDE C PIN 38
V HAMMER 97 RESPONSE 36.39.51.2-0X	V FR 1 SIDE C PIN 37
V HAMMER 98 RESPONSE 36.39.51.2-0Y	V FR 1 SIDE C PIN 36
V HAMMER 99 RESPONSE 36.39.51.2-0Z	V FR 1 SIDE C PIN 35

- *1-01A4A076
- *2-01A4A086
- *3-01A4A096
- *4-01A4A050
- *5-01A4A01H
- *6-01A4A02H
- *7-01A4A03H
- *8-01A4A04H
- *9-01A4A05H
- *A-01A4A06H
- *B-01A4A07H
- *C-01A4A08H
- *D-01A4A09H
- *E-01A4A05R
- *F-01A4A01K
- *G-01A4A02K
- *H-01A4A03K
- *I-01A4A06K
- *J-01A4A04K
- *K-01A4A07K
- *L-01A4A08K
- *M-01A4A09K
- *N-01A4A06L
- *O-01A4A05L
- *P-01A4A07L
- *Q-01A4A08L
- *R-01A4A09L
- *S-01A4A02L
- *T-01A4A03L
- *U-01A4A04L
- *V-01A4A05L
- *W-01A4A06L
- *X-01A4A07L
- *Y-01A4A08L
- *Z-01A4A09L

COMMENTS

TAG DATE	E.C.NO.	TAG DATE	E.C.NO.	TAG DATE	E.C.NO.	TAG DATE	E.C.NO.
A 09-06-60	109501	R 12-07-62	116739				

482886

V HAMMER 100 RESPONSE 36.39.61.2--01	V FR 1 SIDE A PIN 40
V HAMMER 101 RESPONSE 36.39.61.2--02	V FR 1 SIDE A PIN 41
V HAMMER 102 RESPONSE 36.39.61.2--03	V FR 1 SIDE A PIN 42
V HAMMER 103 RESPONSE 36.39.61.2--04	V FR 1 SIDE A PIN 43
V HAMMER 104 RESPONSE 36.39.61.2--05	V FR 1 SIDE A PIN 44
V HAMMER 105 RESPONSE 36.39.61.2--06	V FR 1 SIDE C PIN 44
V HAMMER 106 RESPONSE 36.39.61.2--07	V FR 1 SIDE C PIN 43
V HAMMER 107 RESPONSE 36.39.61.2--08	V FR 1 SIDE C PIN 42
V HAMMER 108 RESPONSE 36.39.61.2--09	V FR 1 SIDE C PIN 41
V HAMMER 109 RESPONSE 36.39.61.2--0A	V FR 1 SIDE C PIN 40
V HAMMER 110 RESPONSE 36.39.71.2--0B	V FR 1 SIDE B PIN 1
V HAMMER 111 RESPONSE 36.39.71.2--0C	V FR 1 SIDE B PIN 5
V HAMMER 112 RESPONSE 36.39.71.2--0D	V FR 1 SIDE B PIN 8
V HAMMER 113 RESPONSE 36.39.71.2--0E	V FR 1 SIDE B PIN 11
V HAMMER 114 RESPONSE 36.39.71.2--0F	V FR 1 SIDE B PIN 14
V HAMMER 115 RESPONSE 36.39.71.2--0G	V FR 1 SIDE B PIN 17
V HAMMER 116 RESPONSE 36.39.71.2--0H	V FR 1 SIDE B PIN 20
V HAMMER 117 RESPONSE 36.39.71.2--0J	V FR 1 SIDE B PIN 23
V HAMMER 118 RESPONSE 36.39.71.2--0K	V FR 1 SIDE B PIN 26
V HAMMER 119 RESPONSE 36.39.71.2--0L	V FR 1 SIDE B PIN 29
V HAMMER 120 RESPONSE 36.39.81.2--0M	V FR 1 SIDE B PIN 2
V HAMMER 121 RESPONSE 36.39.81.2--0N	V FR 1 SIDE B PIN 6
V HAMMER 122 RESPONSE 36.39.81.2--0P	V FR 1 SIDE B PIN 9
V HAMMER 123 RESPONSE 36.39.81.2--0Q	V FR 1 SIDE B PIN 12
V HAMMER 124 RESPONSE 36.39.81.2--0R	V FR 1 SIDE B PIN 15
V HAMMER 125 RESPONSE 36.39.81.2--0S	V FR 1 SIDE B PIN 18
V HAMMER 126 RESPONSE 36.39.81.2--0T	V FR 1 SIDE B PIN 21
V HAMMER 127 RESPONSE 36.39.81.2--0U	V FR 1 SIDE B PIN 24
V HAMMER 128 RESPONSE 36.39.81.2--0V	V FR 1 SIDE B PIN 27
V HAMMER 129 RESPONSE 36.39.81.2--0W	V FR 1 SIDE B PIN 31
V HAMMER 130 RESPONSE 36.39.91.2--0X	V FR 1 SIDE B PIN 3
V HAMMER 131 RESPONSE 36.39.91.2--0Y	V FR 1 SIDE B PIN 7
V HAMMER 132 RESPONSE 36.39.91.2--0Z	V FR 1 SIDE B PIN 10

- *1-01A4A06R
- *2-01A4A01M
- *3-01A4A02M
- *4-01A4A03M
- *5-01A4A04M
- *6-01A4A05M
- *7-01A4A06M
- *8-01A4A07M
- *9-01A4A08M
- *A-01A4A09M
- *B-01A4A04M
- *C-01A4A05M
- *D-01A4A02N
- *E-01A4A03N
- *F-01A4A04N
- *G-01A4A05N
- *H-01A4A06N
- *I-01A4A07N
- *J-01A4A08N
- *K-01A4A09N
- *L-01A4A01P
- *M-01A4A02P
- *N-01A4A03P
- *O-01A4A04P
- *P-01A4A05P
- *Q-01A4A06P
- *R-01A4A07P
- *S-01A4A08P
- *T-01A4A09P
- *U-01A4A01Q
- *V-01A4A02Q
- *W-01A4A03Q
- *X-01A4A04Q
- *Y-01A4A05Q
- *Z-01A4A06Q

482887

COMMENTS

TAG DATE	E.C.NO.	TAG DATE	E.C.NO.	TAG DATE	E.C.NO.	TAG DATE	E.C.NO.
A 09-06-60	109531	B 05-08-61	110431B	C 12-07-62	116739		

482888

A

B

C

D

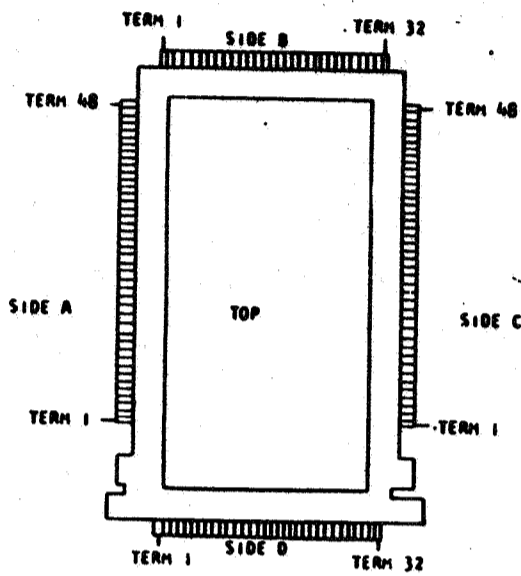
E

F

G

H

J



1	HAMMER FIRE CONNECTIONS
2	HAMMER FIRE CORES
3	PRINT LINE COMPLETE
4	EQUAL CHECK
5	PRINT ERROR CHECK
6	1 BIT
7	2 BIT
8	4 BIT
9	8 BIT
10	A BIT
11	B BIT
12	C BIT
13	WORD MARK
14	DUMMY

TAG DATE
8. 4. 61
TA 97107A

DATE	EC NO	DATE	EC NO	DATE	EC NO
9-6-60	109501				

SOCKET RESERVATIONS

B 7.11.62
TA 1620
C 20.2.63
TA 1747

OPEN
CONN
01AA
5A24
01
2A

1403
CONN
DS
01AA
5A25
01
3A

OPEN
CONN
01AA
5A26
01
4A

OPEN
CONN
01AA
5B24
01
5A

01B1
CONN
DS
01AA
5B25
01
6A

NOTE 1
01A6
CONN
OPT
01AA
5B26
01
2B

OPEN
CONN
01AA
5C24
01
3B

01B1
CONN
DS
01AA
5C25
01
4B

NOTE 2
01A3
CONN
OPT
01AB
5C26
01
5B

OPEN
CONN
01AA
5D24
01
6B

01B3
CONN
PF
01AA
5D25
01
2C

01A6
CONN
PF
01AA
5D26
01
3C

01B5
CONN
PF
01AA
5E24
01
4C

01A4
CONN
PF
01AA
5E25
01
5C

1FC
CONN
CF
01AA
5E26
01
6C

01B5
CONN
PF
01AA
5F24
01
2D

01A4
CONN
PF
01AA
5F25
01
3D

01A4
CONN
PF
01AA
5F26
01
4D

OPEN
01AA
5A17
01
5D

OPEN
01AA
5F15
01
6D

RPO
01AA
5C01
01
2E

RPO
01AA
5C02
01
3E

RPO
01AA
5C03
01
4E

RPO
01AA
5D01
01
5E

RPO
01AA
5D02
01
6E

RPO
01AA
5D03
01
2F

RPO
01AA
5E01
01
3F

RPO
01AA
5E02
01
4F

RPO
01AA
5E03
01
5F

RPO
01AA
5A20
01
6F

RPO
01AA
5A21
01
2G

RPO
01AA
5A22
01
3G

RPO
01AA
5A23
01
4G

RPO
01AA
5B20
01
5G

RPO
01AA
5B21
01
6G

RPO
01AA
5B22
01
2H

RPO
01AA
5B23
01
3H

RPO
01AA
5C20
01
4H

RPO
01AA
5C21
01
5H

RPO
01AA
5C22
01
6H

RPO
01AA
5C23
01
2J

RPO
01AA
5D20
01
3J

RPO
01AA
5D21
01
4J

OPEN
01AA
5D22
01
5J

OPEN
01AA
5D23
01
6J

724729

COMMENTS
NOTE 1-THIS CABLE NECESSARY IF PRINT STORAGE OR CARD FEED-1404 IS PRESENT
NOTE 2-THIS CABLE NECESSARY IF PRINT STORAGE CARD FEED-1404 OR THE SELECTIVE TAPE LISTER FEATURE IS PRESENT

TAG DATE E.C.NO. TAG DATE E.C.NO. TAG DATE E.C.NO. TAG DATE E.C.NO.
A 02-26-62 114606 B 07-26-62 116228 C 12-06-62 116738

0805573

FEED THROUGH SHEET

1401 PF

46.36.51.2

TA

+U PR LINE COMP
INH
36.37.11.2-01

+U PR LINE COMP
INH
46-46.10.41.2

A 28.5
TA 1344

+U PR ERR CHECK
INH
36.37.21.2-02

+U PR ERR CHECK
INH
47-46.10.41.2

B 20.3.69
TA 1747

-T NOT PRINT
READY
36.31.51.2-03

-T NOT PRINT
READY
48-31.10.11.2

+U TIME 105-000
31.12.62.2-04

+U TIME 105-000
49-36.01.11.2

-T TIME 045-000
31.12.31.2-05

-T TIME 045-000
5A-36.31.01.2

*1-01ASD26K
*7-01ASF250

*2-01ASD266
*8-01ASD25N

*3-01ASD26N
*9-01ASD26P

*4-01ASD25P
*A-01ASD26Q

*5-01ASD25Q

*6-01ASE25J

805573

COMMENTS

TAG	DATE	E.C.NO.	TAG	DATE	E.C.NO.	TAG	DATE	E.C.NO.	TAG	DATE	E.C.NO.
A	12-06-61	112269D	B	12-06-62	116738						

8805574

DISTRIBUTION SHEET

1401 PF

46.36.71.2

TAG DATE

B 28.5.62
TA 1344

C 20.2.63
TA 1747

+U 4 LATCH
46.10.21.2-01

+U 4 LATCH
46.36.81.2
+U 4 LATCH
46.36.91.2

+U 8 LATCH
46.10.21.2-02

+U 8 LATCH
46.36.81.2
+U 8 LATCH
46.36.91.2

+U A LATCH
46.10.31.2-03

+U A LATCH
46.36.81.2
+U A LATCH
46.36.91.2

+U B LATCH
46.10.31.2-04

+U B LATCH
46.36.81.2
+U B LATCH
46.36.91.2

+U C LATCH
46.10.31.2-05

+U C LATCH
46.36.81.2
+U C LATCH
46.36.91.2

+U WM LATCH
46.10.31.2-06

+U WM LATCH
46.36.81.2
+U WM LATCH
46.36.91.2

+U NOT WM LATCH
46.10.31.2-07

+U NOT WM LATCH
46.36.91.2
+U NOT WM LATCH
*A-36.37.11.2

-T NOT PR SCAN
COMP
36.31.41.2-08

-T NOT PR SCAN
COMP
46.37.41.2
-T NOT PR SCAN
COMP
46.37.51.2
-T NOT PR SCAN
COMP
46.37.71.2
-T NOT PR SCAN
COMP
46.37.91.2

-T TIME 000-030
31.12.12.2-09

-T TIME 000-030
46.37.31.2
-T TIME 000-030
46.37.81.2
-T TIME 000-030
*B-36.31.51.2

*1-01A5F26L
*7-01A5F26H

*2-01A5F26M
*8-01A5B26A

*3-01A5F26N
*9-01A5D25R

*4-01A5F26P
*A-01A5B26P

*5-01A5F26Q
*B-01A5D26P

*6-01A5F26R

COMMENTS

TAG DATE E.C.NO. TAG DATE E.C.NO. TAG DATE E.C.NO. TAG DATE E.C.NO.
A 12-06-61 11269D B 02-26-62 114606 C 12-06-62 116738

805574

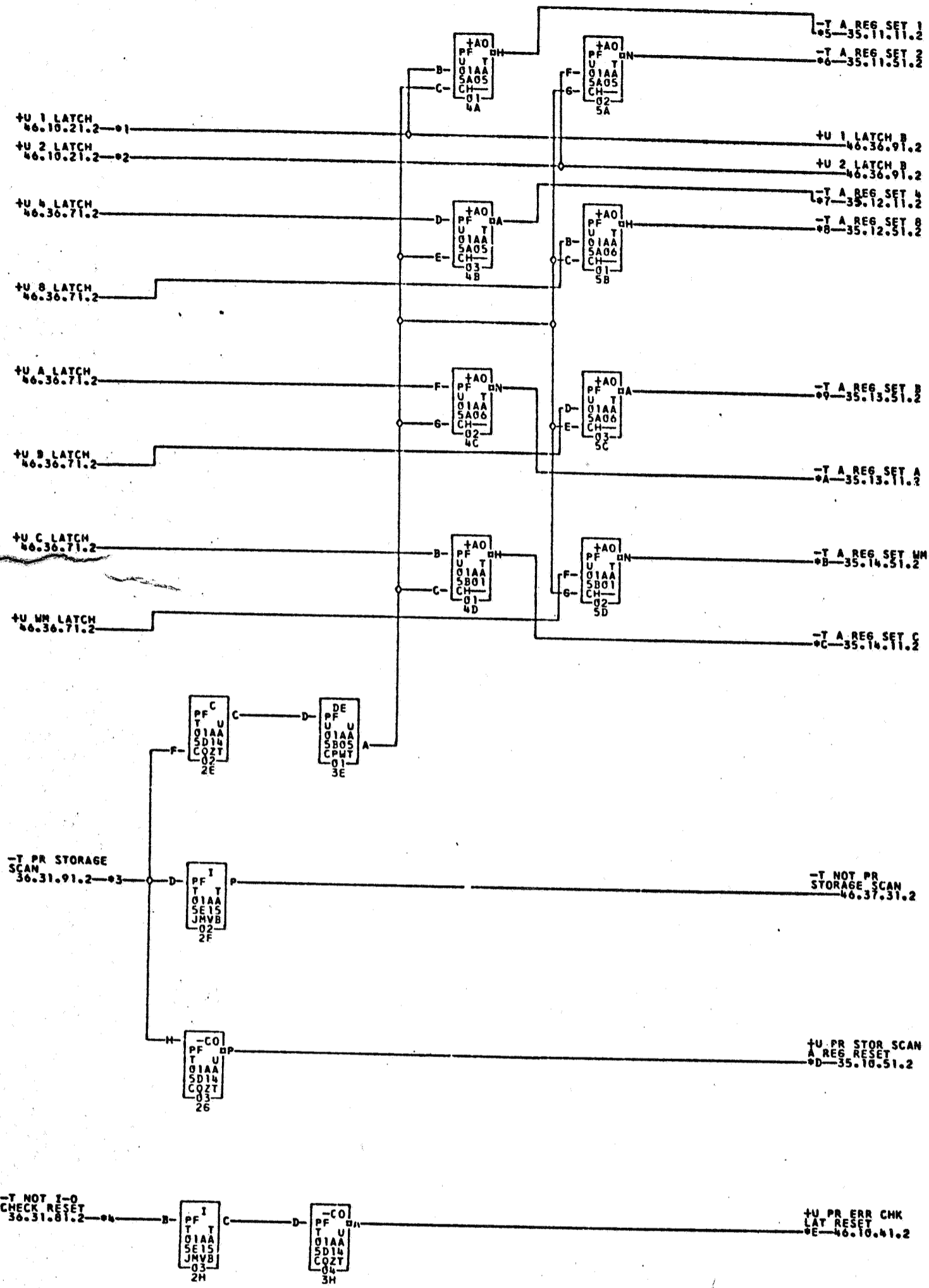
0805575

BUFFER DISPLAY LINES

1401 PF 46.36.81.2

TAG DATE

B 28.5.62
TA 1344
C 20.2.63
TA 1747



- *1-01A5F26J *2-01A5F26K *3-01A5B266 *4-01A5B26E *5-01A5C26A *6-01A5C26B
- *7-01A5C26C *8-01A5C26D *9-01A5C26F *A-01A5C26E *B-01A5C26P *C-01A5C266
- *D-01A5C26N *E-01A5E25R

COMMENTS

TAG DATE	E.C.NO.	TAG DATE	E.C.NO.	TAG DATE	E.C.NO.	TAG DATE	E.C.NO.
A 12-06-61	112269D	B 02-26-62	114806	C 12-06-62	116738		

805575

0805576

PR PAR ERROR

1401 PF

46.36.91.2

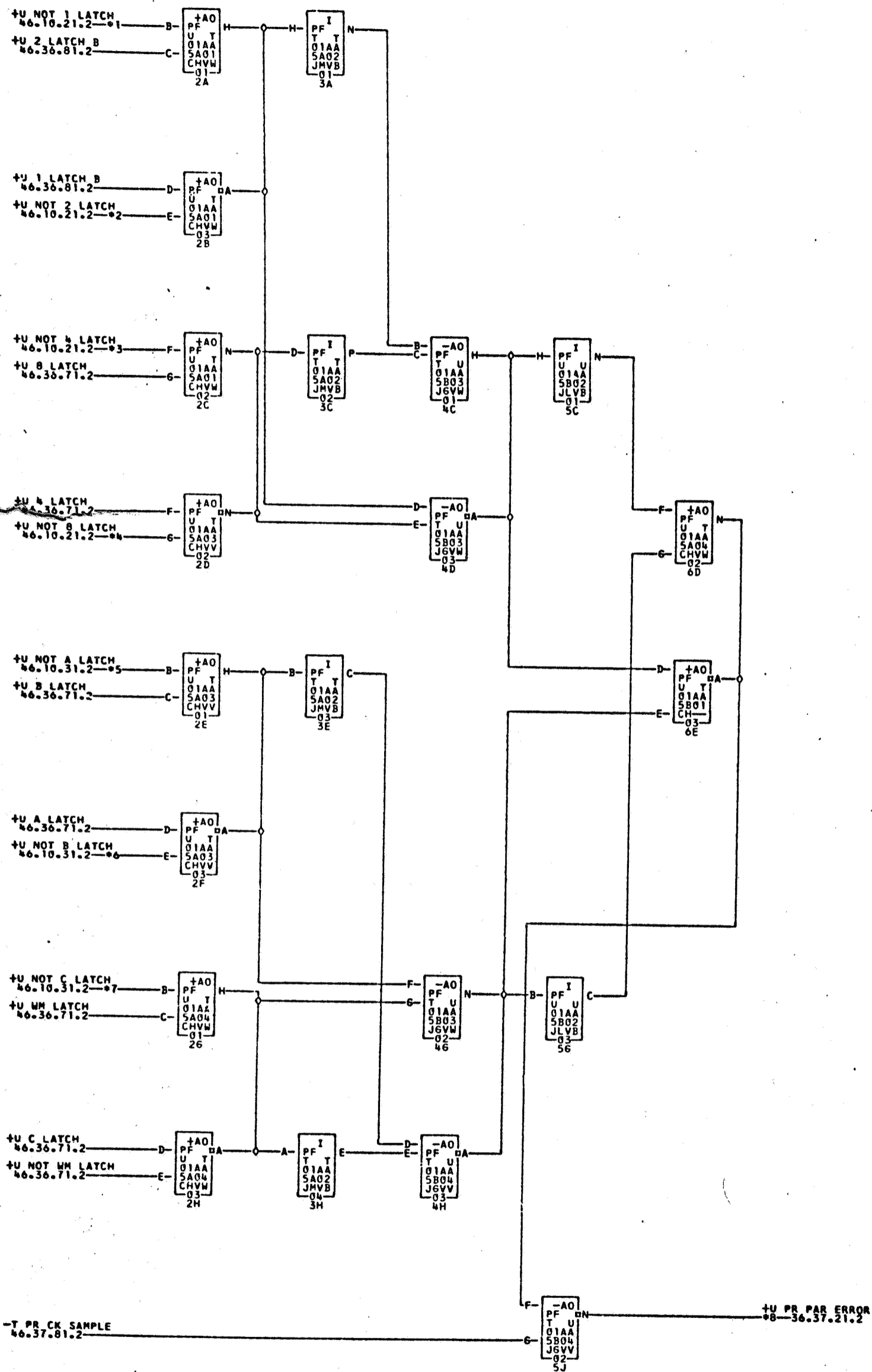
TAG DATE

B 28.5.62

TA 1344

C 20.2.63

TA 1747



*1-01A5F26A
*7-01A5F26E

*2-01A5F26B
*8-01A5B26H

*3-01A5F26C

*4-01A5F26D

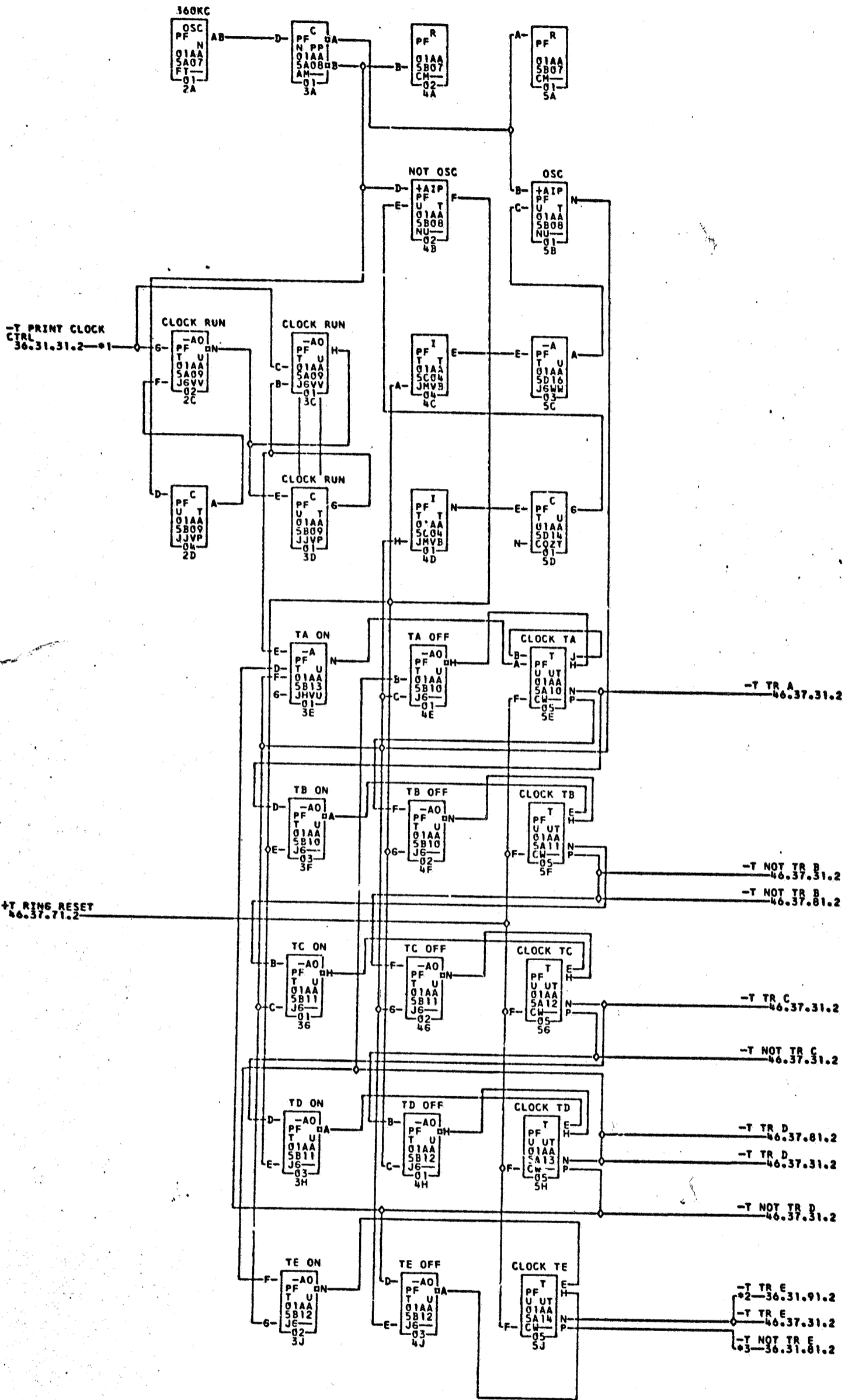
*5-01A5F26E

*6-01A5F26F

COMMENTS

TAG DATE	E.C.NO.	TAG DATE	E.C.NO.	TAG DATE	E.C.NO.	TAG DATE	E.C.NO.
A 12-06-61	112269D	B 02-26-62	114606	C 12-06-62	116738		

805576



*1-01A5B26C

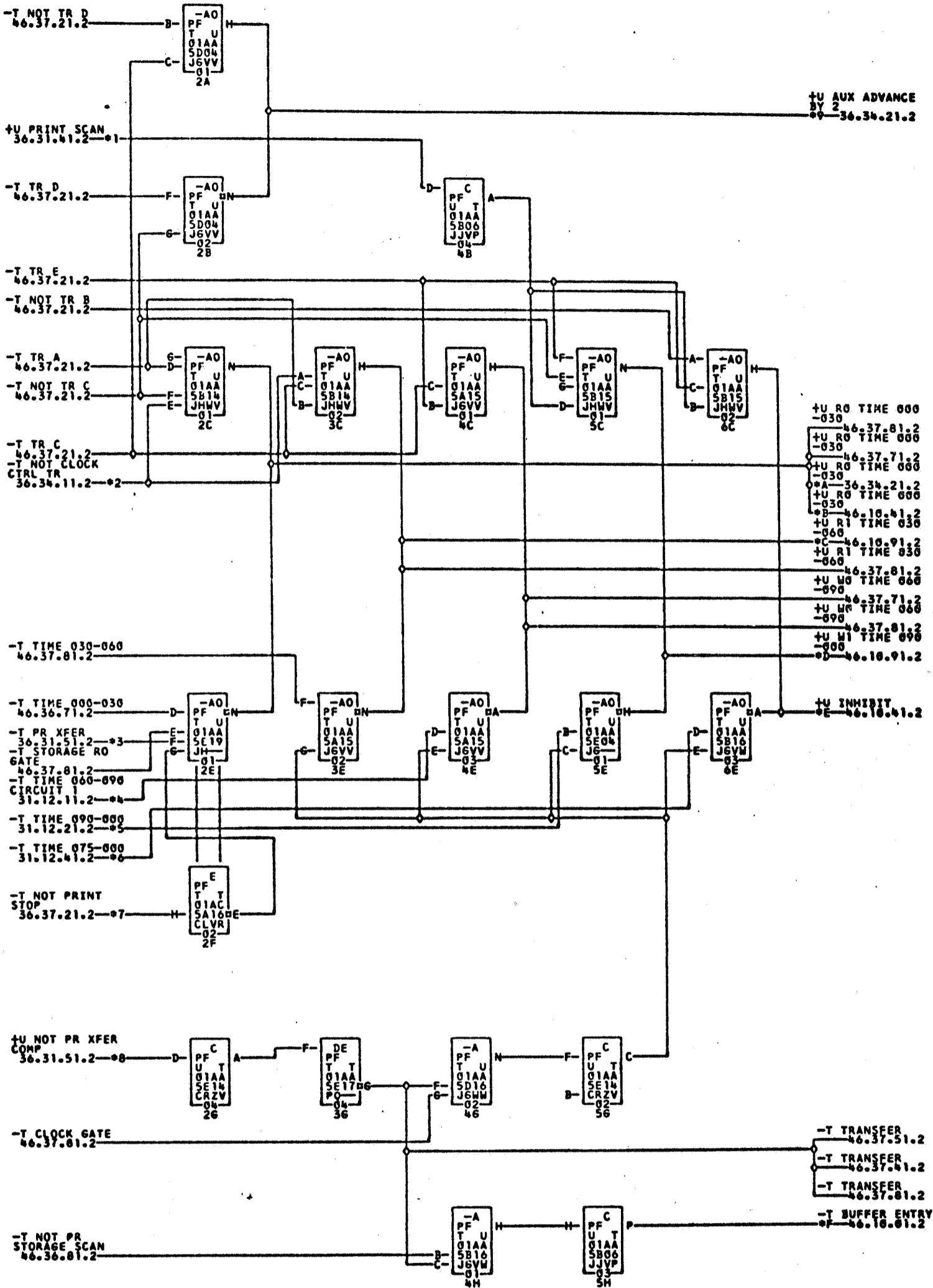
*2-01A5D26E

*3-01A5D26D

COMMENTS

TAG DATE	E.C.NO.	TAG DATE	E.C.NO.	TAG DATE	E.C.NO.	TAG DATE	E.C.NO.
A 12-06-61	112269D	B 02-26-62	114606	C 12-06-62	116738		

805577



- *1-01A5B26F
- *2-01A5B26K
- *3-01A5B26D
- *4-01A5D25B
- *5-01A5D25K
- *6-01A5D25E
- *7-01A5B26R
- *8-01A5B26J
- *9-01A5D26L
- *A-01A5D26M
- *B-01A5F25J
- *C-01A5F25M
- *D-01A5F25R
- *E-01A5F25L
- *F-01A5F25K

COMMENTS

TAG DATE	E.C.NO.	TAG DATE	E.C.NO.	TAG DATE	E.C.NO.	TAG DATE	E.C.NO.
A 12-06-61	112269D	B 02-26-62	114606	C 12-06-62	116738		

805578

0005579

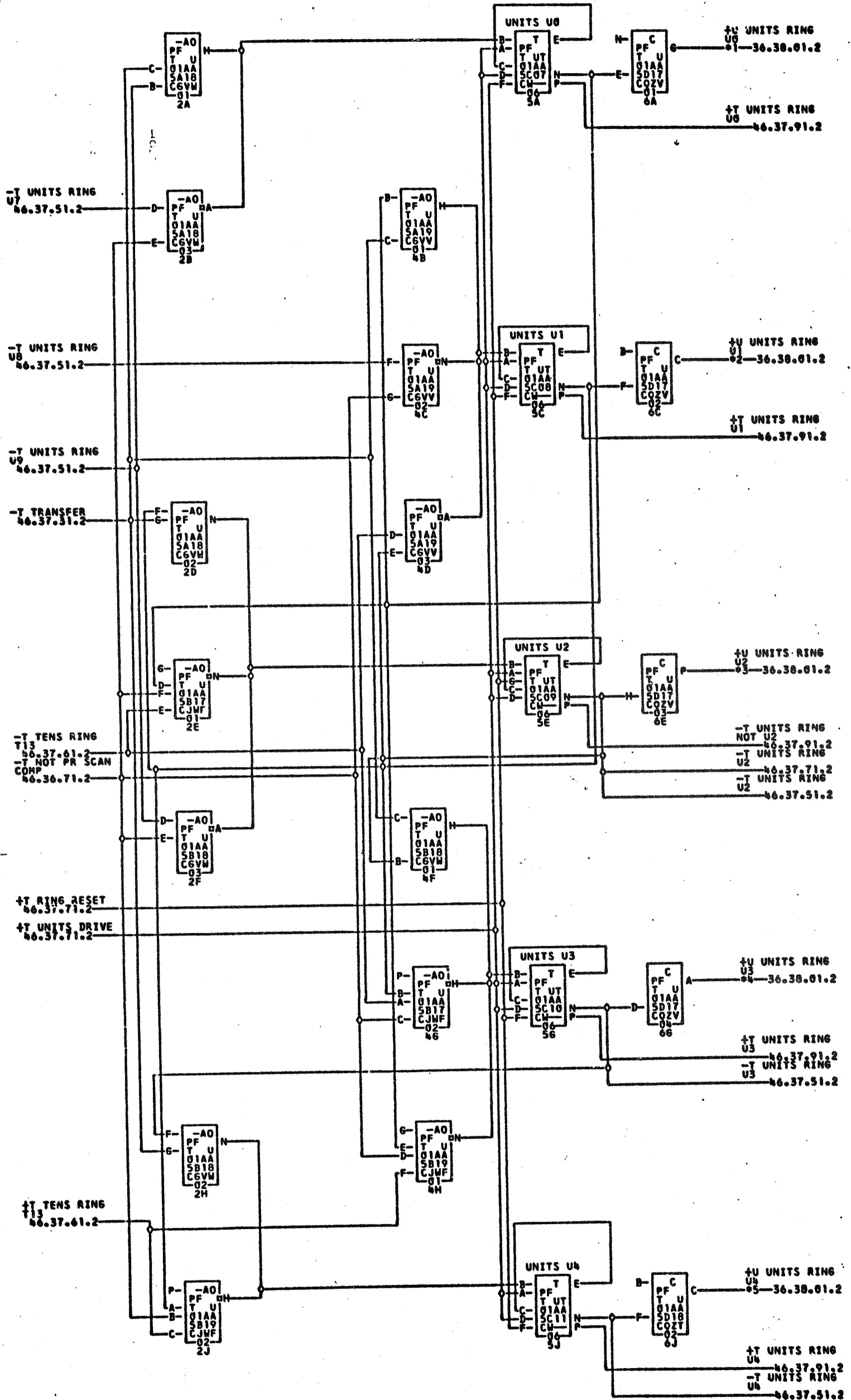
PRINT BUFFER UNITS RING U0-U4

1401 PF 46.37.41.2

TAG DATE

28.5.62
TA 1344

B 20.2.63
TA 1747



*1-01A5F24A

*2-01A5F24B

*3-01A5F24C

*4-01A5F24D

*5-01A5F24E

COMMENTS

TAG DATE	E.C.NO.	TAG DATE	E.C.NO.	TAG DATE	E.C.NO.	TAG DATE	E.C.NO.
1A 12-06-61	112269D	1B 12-06-62	116738				

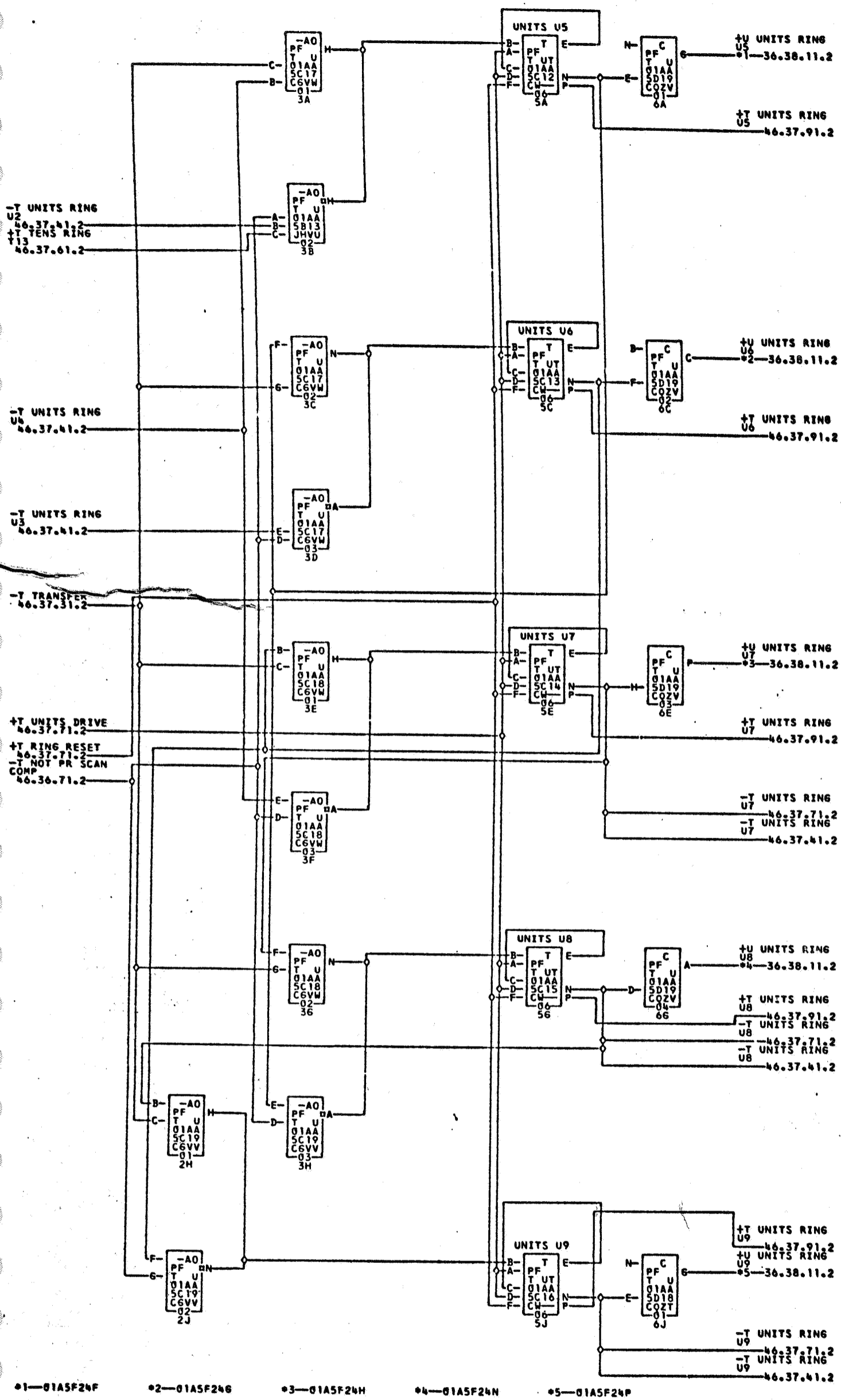
805579

A 28.5.62

TA 1344

B 20.2.63

TA 1747



- *1-01A5F24F
- *2-01A5F24G
- *3-01A5F24H
- *4-01A5F24N
- *5-01A5F24P

COMMENTS

TAG DATE	E.C.NO.	TAG DATE	E.C.NO.	TAG DATE	E.C.NO.	TAG DATE	E.C.NO.
A 12-06-61	112269D	B 12-06-62	116738				

805580

805501

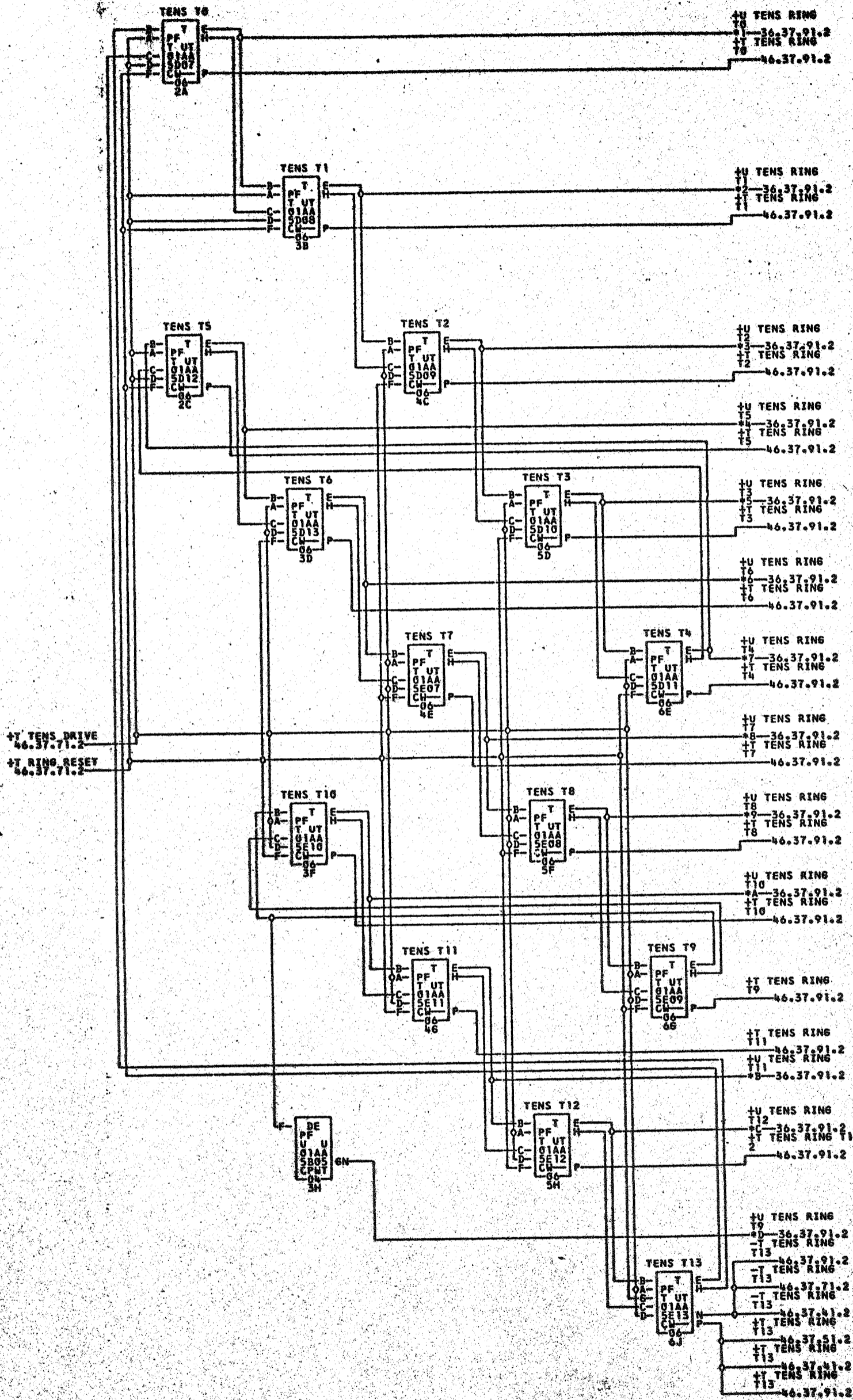
PRINT BUFFER TENS RING

1401 PF 46.37.91.2

TAG DATE

A 28.5.62
TA 1344

B 20.2.63
TA 1747

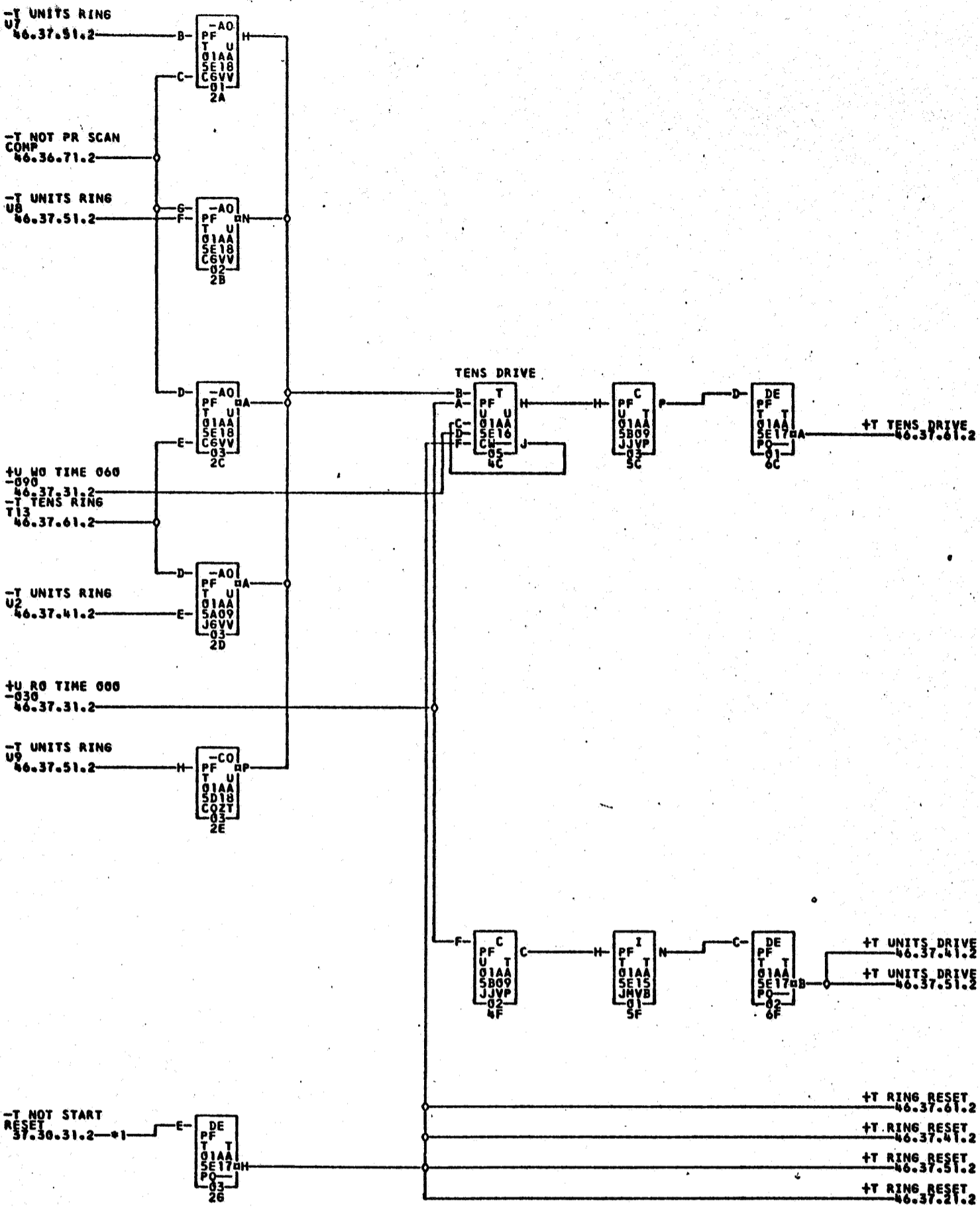


- *1-01A5E24A
- *2-01A5E24B
- *3-01A5E24C
- *4-01A5E24F
- *5-01A5E24D
- *6-01A5E24E
- *7-01A5E24L
- *8-01A5E24H
- *9-01A5E24K
- *A-01A5E24M
- *B-01A5E24N
- *C-01A5E24P

COMMENTS

TAG DATE	F.C.NO.	TAG DATE	F.C.NO.	TAG DATE	F.C.NO.	TAG DATE	F.C.NO.
A 12-06-61	112269D	B 12-06-62	116738				

805581



*1-01A5B268

COMMENTS

TAG DATE	F.C.NO.	TAG DATE	F.C.NO.	TAG DATE	F.C.NO.	TAG DATE	F.C.NO.
A 12-06-61	F122696	B 02-20-62	F152808	C 12-06-62	F167388		

805582

4747

805583

PRINT CONTROL CLOCK PULSES

1401 PF 46.37.01.2

TAG DATE

+U RO TIME 000
-030
46.37.31.2
-T NOT TR B
46.37.21.2
-T TR D
46.37.21.2

-T RO TIME 000
-030
46.31.51.2

B 28.5.62
TA 1344
C 20.2.63
TA 1747

-T TRANSFER
46.37.31.2

+U TIME 075-090
31.12.81.2

+U R1 TIME 030
-060
46.37.31.2

+U PR CK SAMPLE
45-36.37.21.2

-T R1 TIME
030-060
46-36.31.91.2

-T PR CK SAMPLE
46.36.91.2
-T PR CK SAMPLE
47-36.33.21.2

+U W0 TIME 060
-390
46.37.31.2

+U TIME 030-060
31.12.51.2

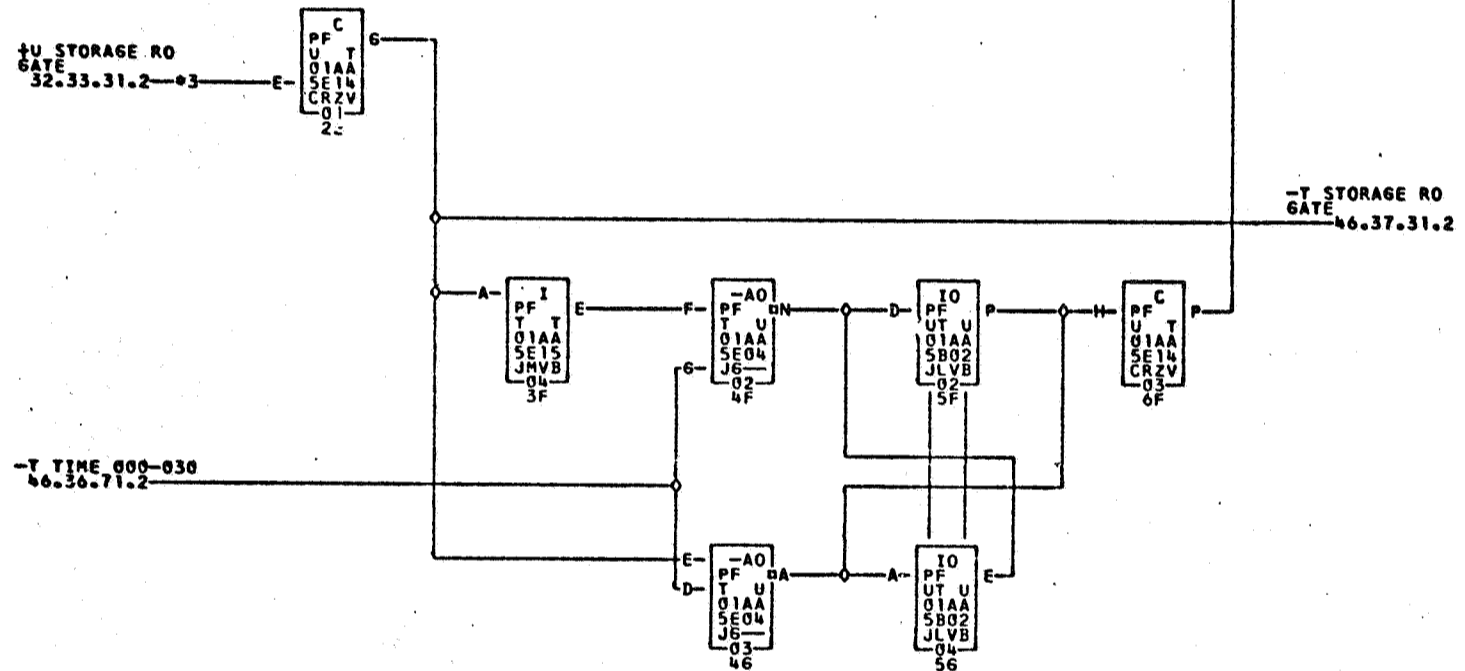
-T W0 TIME 060
-090
46-36.31.81.2

-T TIME 030-060
46.37.31.2
-T CLOCK GATE
46.37.31.2

+U STORAGE RO
GATE
32.33.31.2

-T STORAGE RO
GATE
46.37.31.2

-T TIME 000-030
46.36.71.2



- *1-01A5D25J
- *2-01A5D25H
- *3-01A5B26L
- *4-01A5D26A
- *5-01A5D26J
- *6-01A5D26H
- *7-01A5D26C
- *8-01A5D26B

805583

COMMENTS		TAG DATE	E.C.NO.	TAG DATE	E.C.NO.	TAG DATE	E.C.NO.	TAG DATE	E.C.NO.
		A 12-06-61	112269D	B 02-26-62	114606	C 12-06-62	116738		

805584

MEMORY SWITCH DRIVE

1401 PF 46.37.91.2

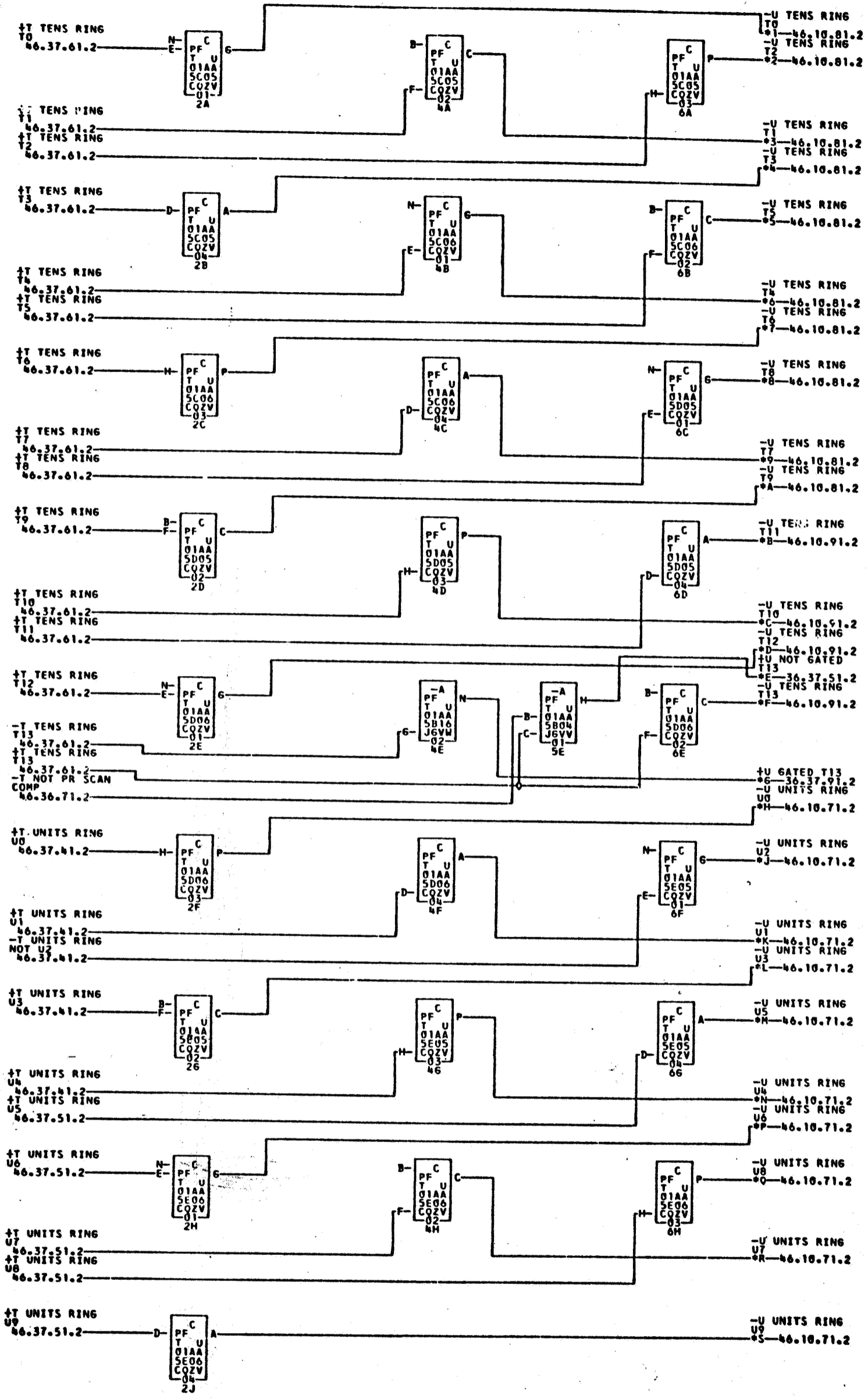
TAG DATE

A 28.5.62

TA 1344

B 20.2.63

TA 1747



- *1-01ASE25A *2-01ASE25C *3-01ASE25B *4-01ASE25D *5-01ASE25F *6-01ASE25E
- *7-01ASE25G *8-01ASE25K *9-01ASE25H *A-01ASE25L *B-01ASE25M *C-01ASE25N
- *D-01ASE25P *E-01ASE25R *F-01ASE25Q *G-01ASE25S *H-01ASE25T *I-01ASE25U
- *K-01ASF25B *L-01ASF25D *M-01ASF25F *N-01ASF25E *P-01ASF25G *Q-01ASF25H
- *R-01ASF25H *S-01ASF25P

COMMENTS

TAG DATE E.C.NO. TAG DATE E.C.NO. TAG DATE E.C.NO. TAG DATE E.C.NO.

A 12-06-61 112269D B 12-06-62 116738

805584

8805585

DUAL SPEED CARR. SLOW BRUSH INTEGRA

1401 DS

46.51.11.2

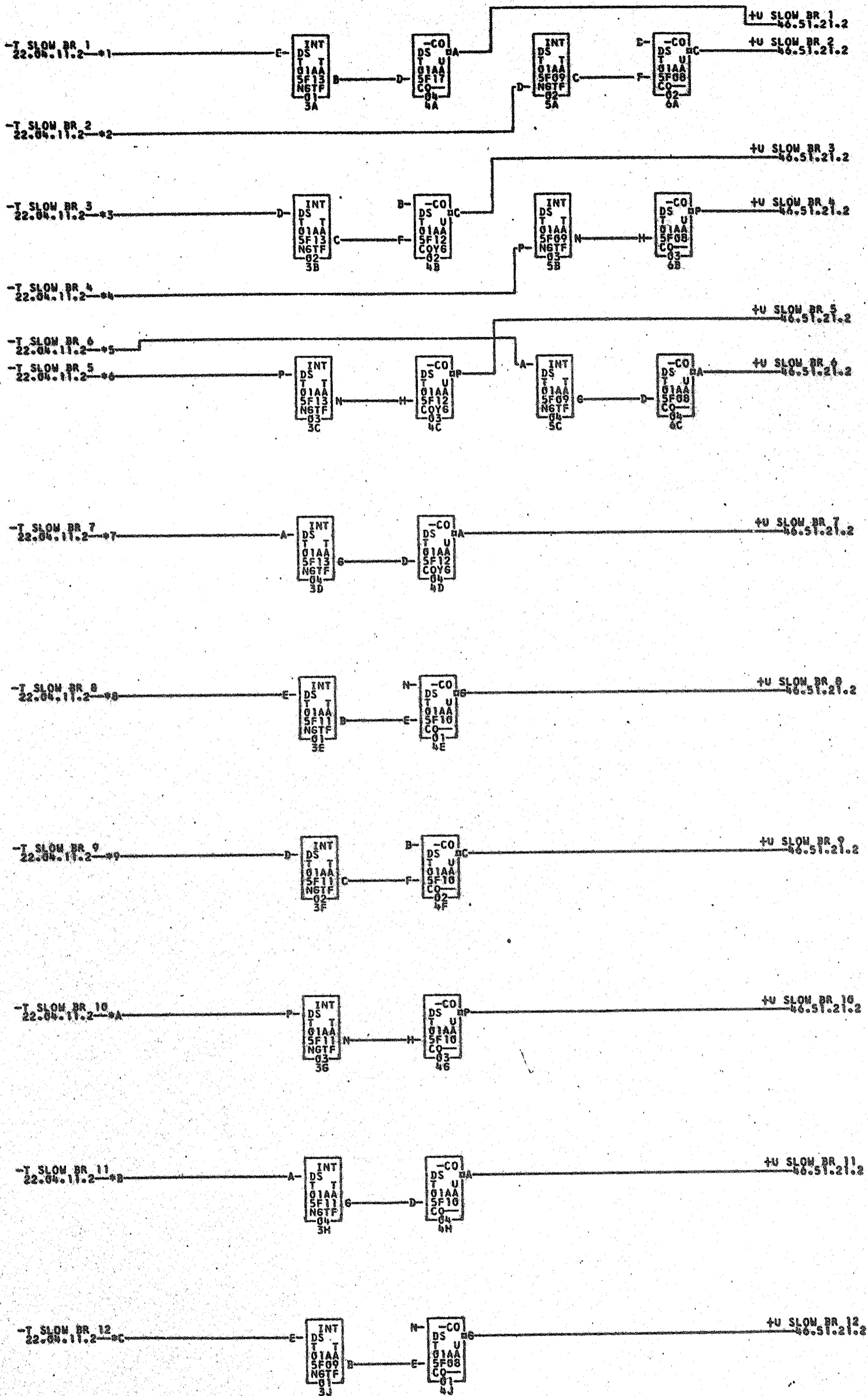
TAG DATE

A 28.5.62

TA 1344

B 20.2.63

TA 1747



01-01A5A25A
07-01A5A25B

02-01A5A25B
08-01A5A25H

03-01A5A25C
09-01A5A25J

04-01A5A25D
0A-01A5A25R

05-01A5A25F
0B-01A5A25L

06-01A5A25E
0C-01A5A25M

COMMENTS

TAG DATE	F.C.NO.	TAG DATE	F.C.NO.	TAG DATE	E.C.NO.	TAG DATE	E.C.NO.
A 12-04-61	12269D	B 12-04-62	11873B				

805585

4747

0805586

DUAL SPEED CARR SLOW BRUSH LATCHES

1401 DS

46.51.21.2

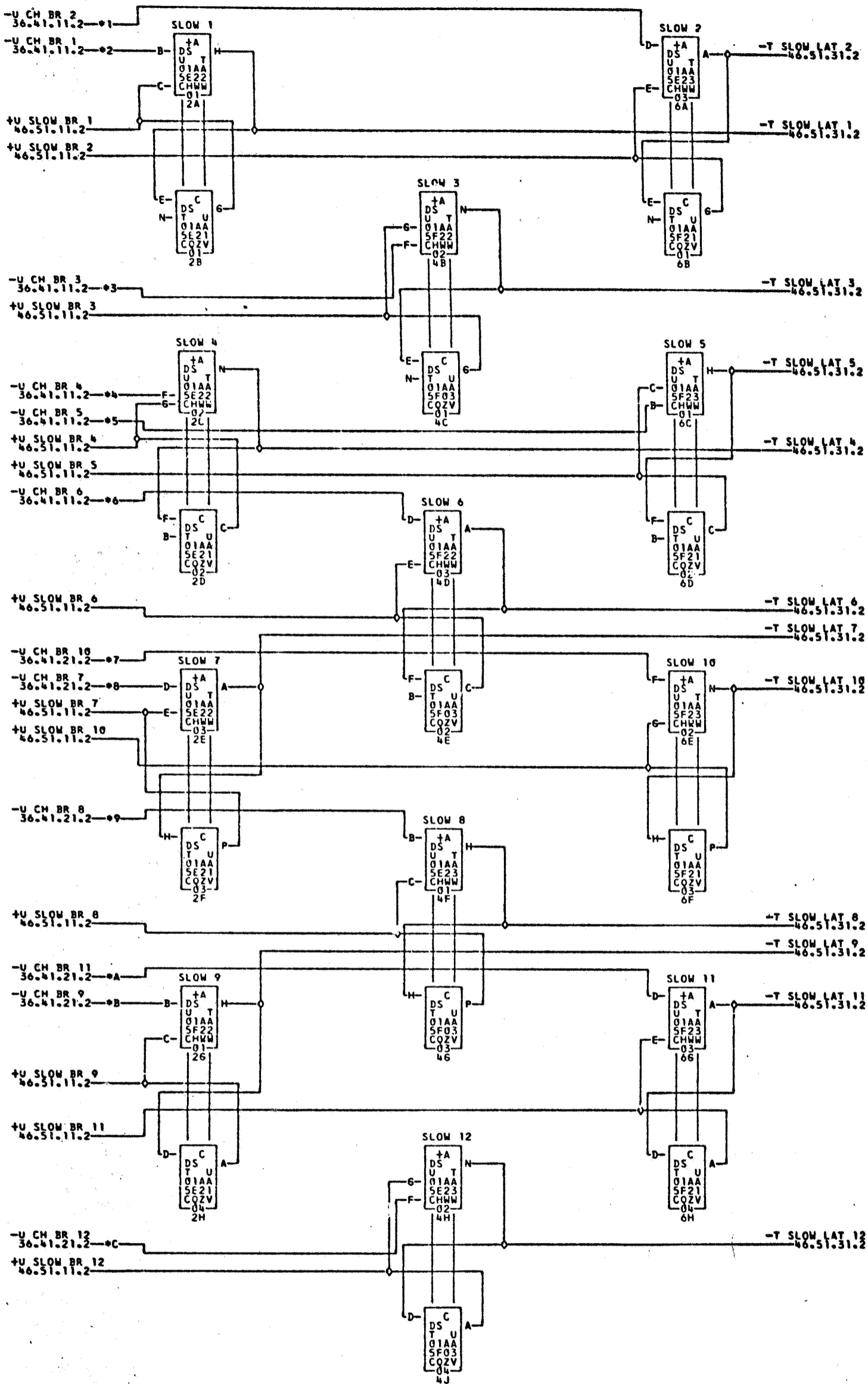
TAG DATE

A 28.5.62

TA 1344

B 20.2.63

TA 1747



- *1-01ASC25B
- *2-01ASC25A
- *3-01ASC25C
- *4-01ASC25D
- *5-01ASC25E
- *6-01ASC25F
- *7-01ASC25K
- *8-01ASC256
- *9-01ASC25H
- *A-01ASC25L
- *B-01ASC25J
- *C-01ASC25M

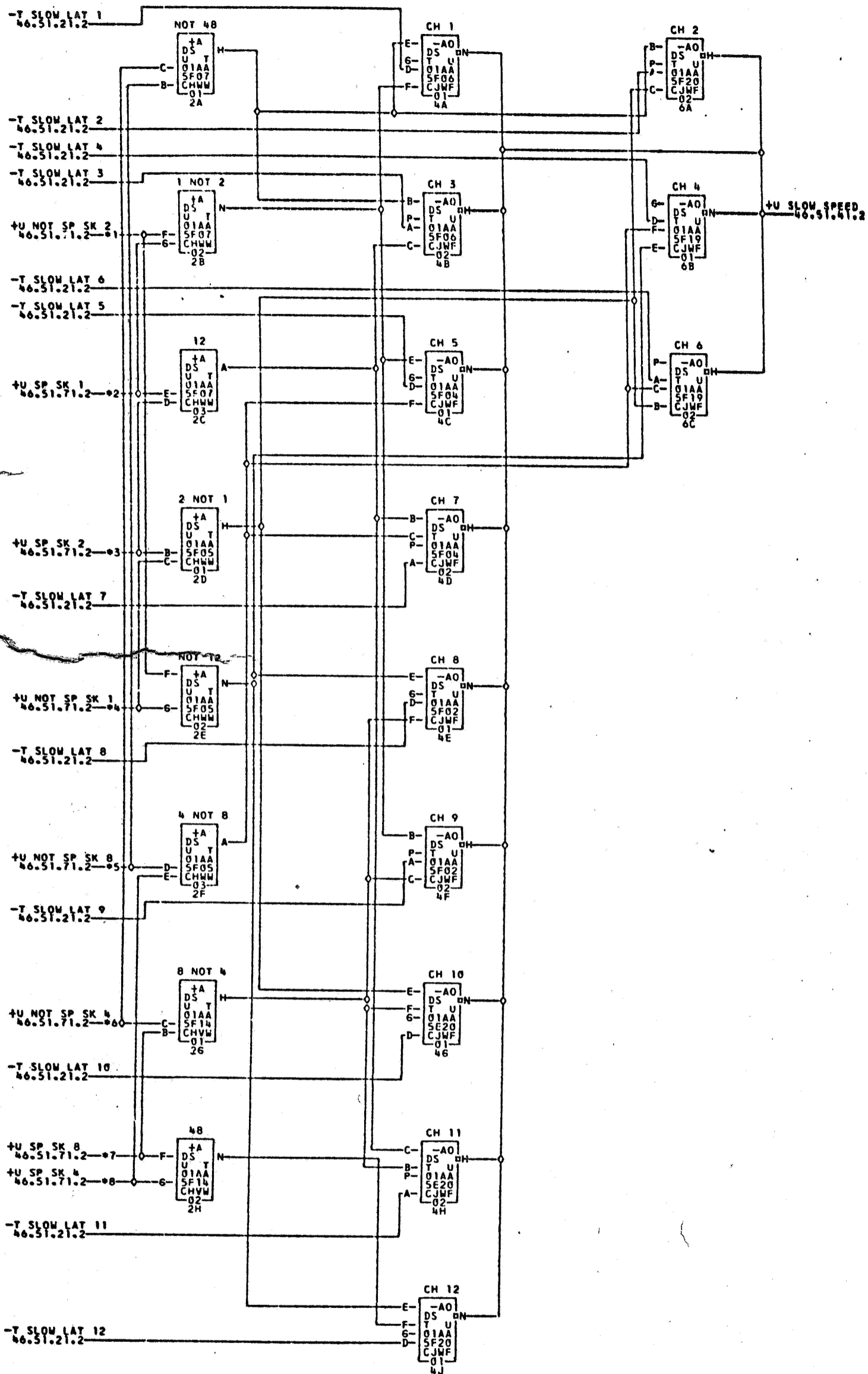
COMMENTS

TAG DATE	E.C.NO.	TAG DATE	E.C.NO.	TAG DATE	E.C.NO.	TAG DATE	E.C.NO.
A 12-06-61	112269D	B 12-06-62	116738				

805586

A 28.5.62
TA 1344

B 20.2.63
TA 1747



- *1-01A5B256 *2-01A5B25D *3-01A5B25C *4-01A5B25H *5-01A5B25E *6-01A5B25F
- *7-01A5B25A *8-01A5B25B

805587

COMMENTS

TAG DATE	F.C.NO.	TAG DATE	F.C.NO.	TAG DATE	F.C.NO.	TAG DATE	F.C.NO.
A 12-06-61	112269D	B 12-06-62	116738				

0805588

DUAL SPEED CARR. SPEED CONTROL

1401 DS

46.51.41.2

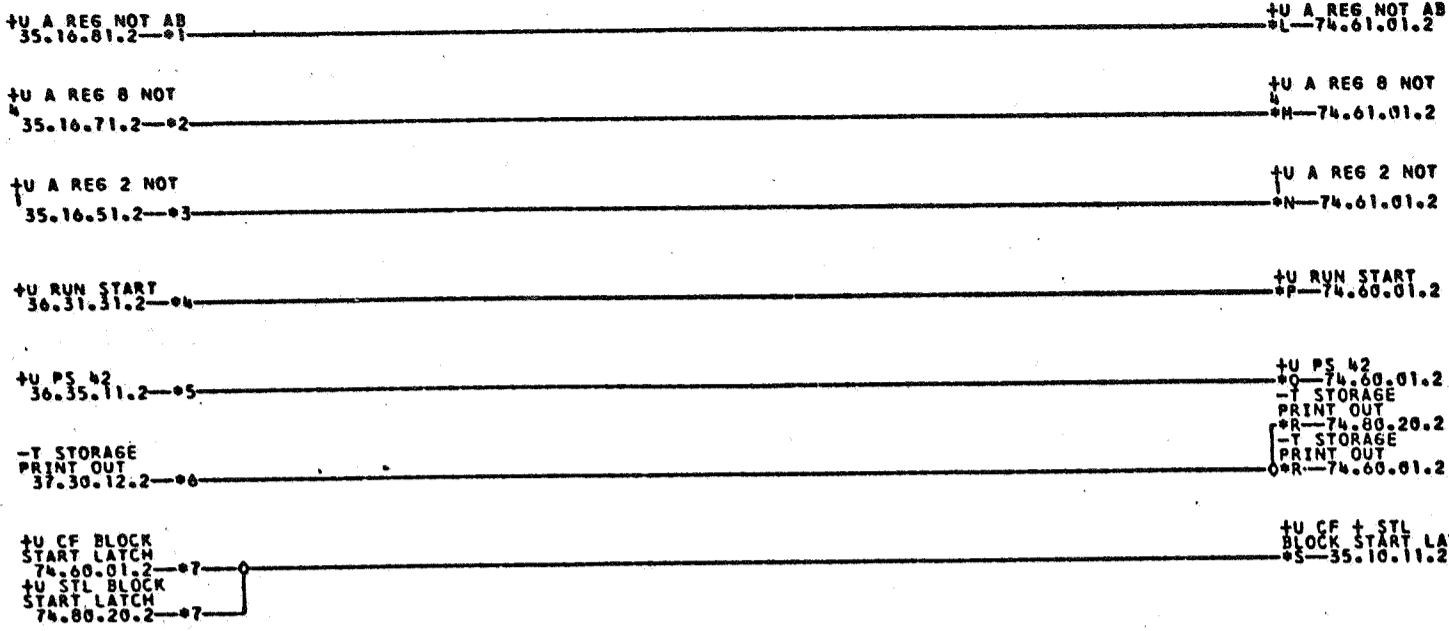
TAG DATE

D 7.11.62

TA 1820

E 20.2.63

TA 1747



- *1-01A5C26H
- *7-01A5E26M
- *D-01A5B25L
- *K-01A5B25Q
- 02B8C04F
- 02B8C04J
- 02B8C04L
- *U-01A5A25N
- 02B8C04B
- 01-01A5E26N

- *2-01A5C26J
- *8-01A5E26C
- *E-01A5B25N
- *L-01A5E26E
- *N-01A5F266
- *O-01A5E26K
- *S-01A5C26M
- *V-01A5E26A
- *X-01A5C25N
- 02A9C156

- *3-01A5C26K
- *9-01A5E26D
- *F-01A5B25M
- 02A9A156
- 02A9A196
- 02A9D176
- 01A3E24M
- 02A9A076
- *Y-01A5C25Q
- 02B8C04N

- *4-01A5B26M
- *A-01A5B25J
- *6-01A5C25R
- 02B8C05E
- 02B8C04G
- 02B8C04K
- 01A5D25Q
- 02B8C04A
- *7-01A5E26Q
- 02-01A5E26P

- *5-01A5B26N
- *B-01A5B25K
- *H-01A5C26L
- *M-01A5E26F
- *P-01A5E26J
- *R-01A5E26L
- 01B2D04Q
- *W-01A5E268
- 02A9C196
- 02A9C176

- *6-01A5B26Q
- *C-01A5E26H
- *J-01A5B25P
- 02A9A176
- 02A9D156
- 02A9D196
- *T-01A5A25P
- 02A9A096
- 02B8C04Q
- 02B8C04P

NOTE 1-CARD MUST BE PLUGGED FOR BOTH THE CF AND STL FEATURES

TAG DATE E.C.NO. TAG DATE E.C.NO. TAG DATE E.C.NO. TAG DATE E.C.NO.

A 12-06-61 112269D B 12-20-61 1122696 C 02-26-62 114806 D 07-26-62 116228

805588

072000

DUAL SPEED CAR SP SK

1401 DS

46.51.71.2

TAG DATE

-T SP SK 1
30.00.11.2



TV SP SK 1
46.51.31.2

-T NOT SP SK 1
30.00.11.2



TV NOT SP SK 1
46.51.31.2

-T SP SK 2
30.00.11.2



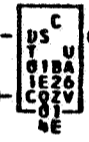
TV SP SK 2
46.51.31.2

-T NOT SP SK 2
30.00.11.2



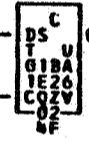
TV NOT SP SK 2
46.51.31.2

-T SP SK 4
30.00.11.2



TV SP SK 4
46.51.31.2

-T NOT SP SK 4
30.00.11.2



TV NOT SP SK 4
46.51.31.2

-T SP SK 0
30.00.11.2



TV SP SK 0
46.51.31.2

-T NOT SP SK 0
30.00.11.2



TV NOT SP SK 0
46.51.31.2

01-01B1003P

02-01B1003W

03-01B1003C
01A5025E

04-01B1003G

05-01B1003B

06-01B1003F

724644
104

COMMENTS

TAG DATE	E.C.NO.	TAG DATE	E.C.NO.	TAG DATE	E.C.NO.	TAG DATE	E.C.NO.
A 12-04-61	112269C	B 01-14-63	116789				

0724665

PFR ENCODE-VALIDITY

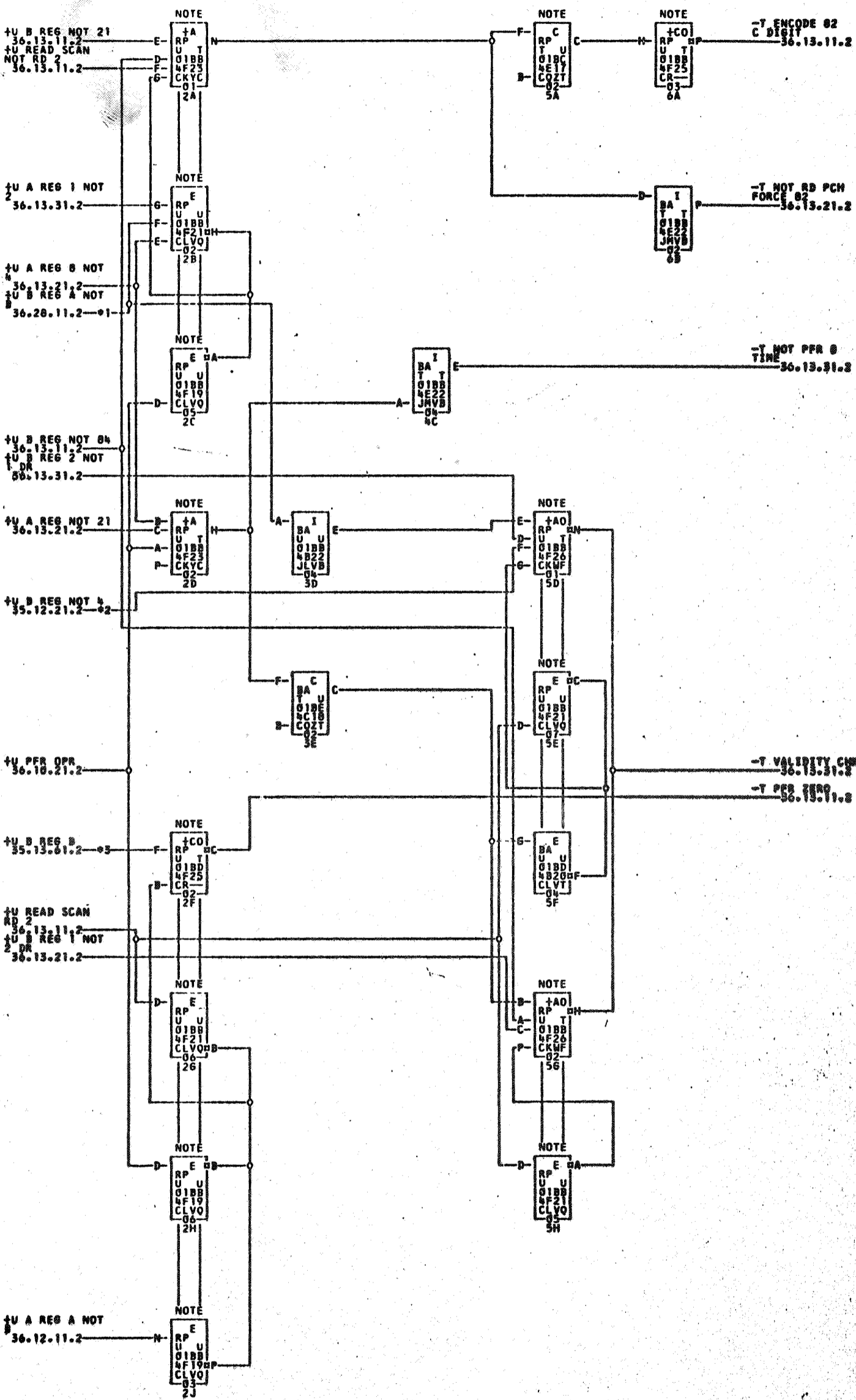
1401 RP

56.13.11.2

TAG DATE

D 16.4.63
TA 1815A

E 18.6.63
TA 1859



*1-01B403K *2-01B402H *3-01B401P

NOTE-THIS CARD MUST BE PRESENT IF EITHER THE PUNCH FEED READ RP OR THE CARD FEED COMP CFC FEATURE IS PRESENT

TAG DATE	FIC NO.	TAG DATE	FIC NO.	TAG DATE	FIC NO.	TAG DATE	FIC NO.
A 12-04-61	112709	B 02-14-62	112709	C 10-24-62	112709	D 01-17-63	112709
E 02-28-63	112709						

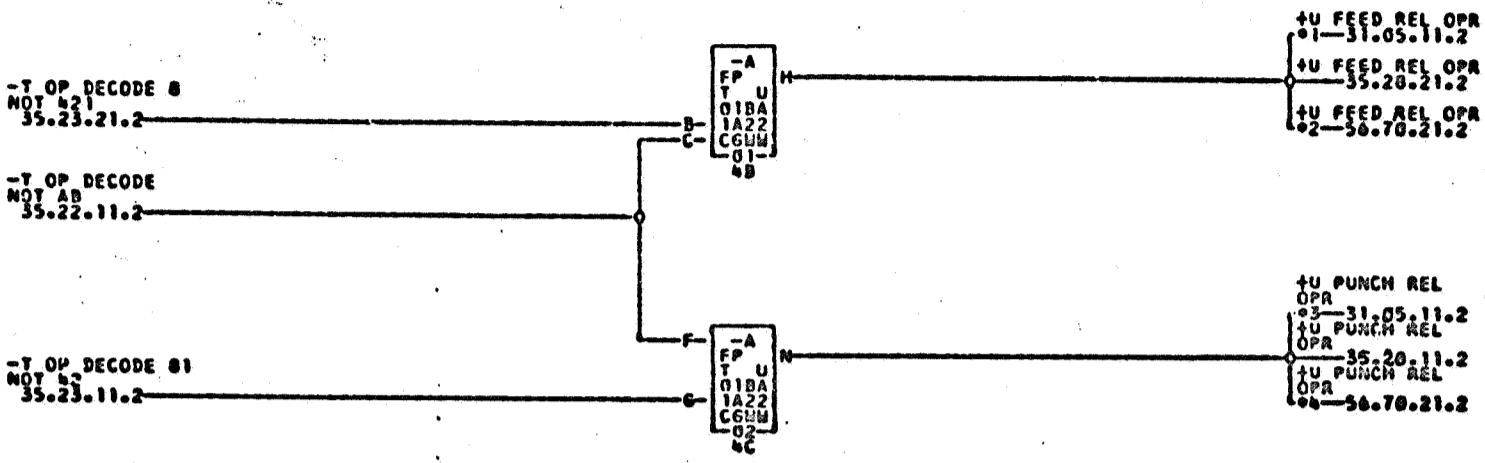
724665
1859

A 28.5.62

TA 1344

B 16.4.62

TA 1816A



01-01B1D01J

02-01B1D02D

03-01B1D01A

04-01B1D02E

726645

COMMENTS

TAG DATE	E.C.NO.	TAG DATE	E.C.NO.	TAG DATE	E.C.NO.	TAG DATE	E.C.NO.
A 12-04-61	112269C	B 01-14-63	116789				

0724666

READ PUNCH RELEASE

1401 FP 56.70.21.2

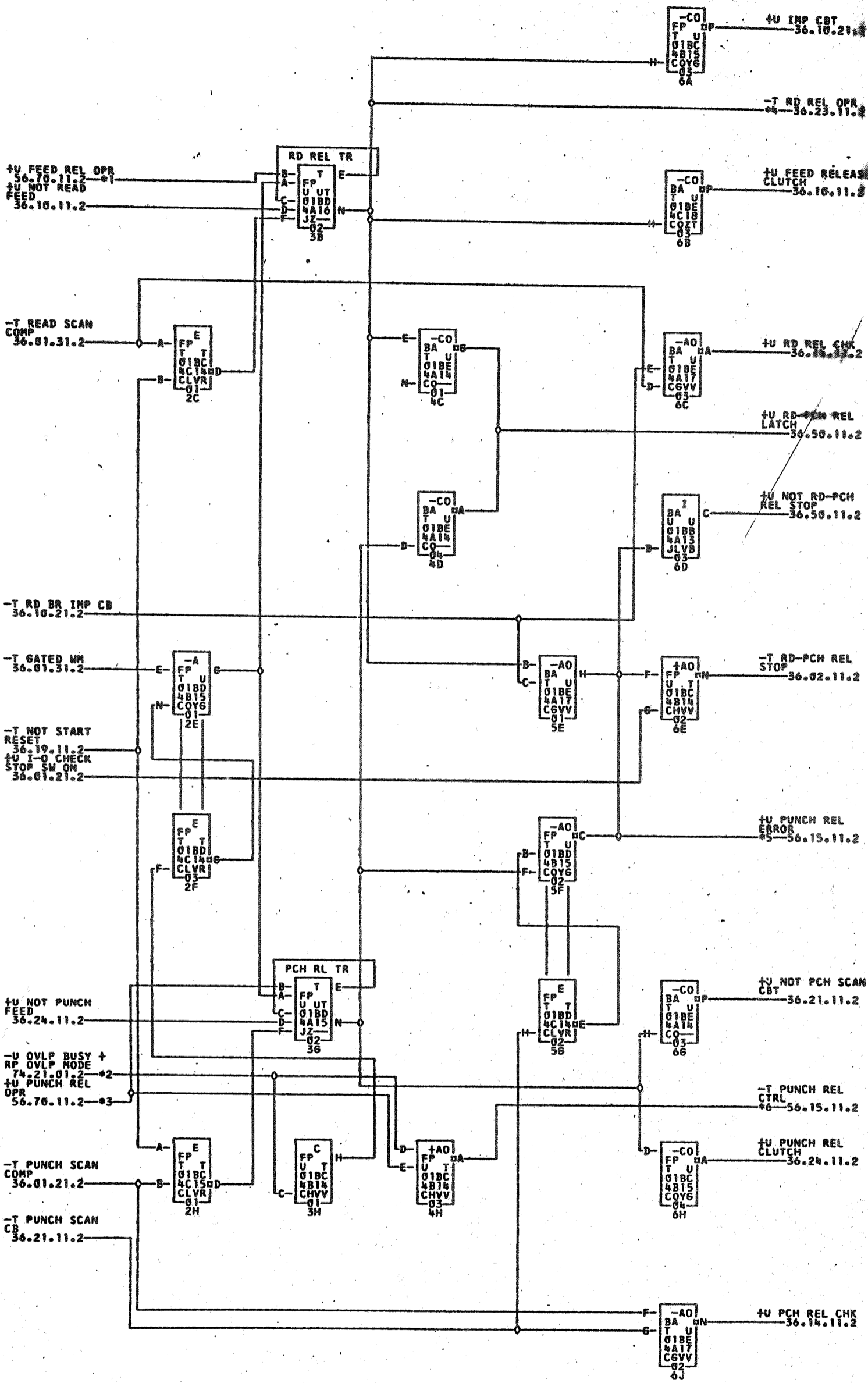
TAG DATE

E 18.6.63

TA 1859

F 25.7.63

TA 1859Q



*1-01B4D03D *2--01B4D04N *3-01B4D03E 01B1D02E *4-01B4C04N 01B7C01N
 *5-01B4C04A 01B7C01A *6-01B4C03N 01B7A01N

COMMENTS

TAG DATE E.C.NO. TAG DATE E.C.NO. TAG DATE E.C.NO. TAG DATE E.C.NO.
 A 12-06-61 112269F B 01-16-62 113530A C 02-14-62 114242A D 01-17-63 116787
 E 02-28-63 117148 F 04-23-63 117481

724666
 1859

072000

FIFTY ONE COLUMN SCAN CONTROL

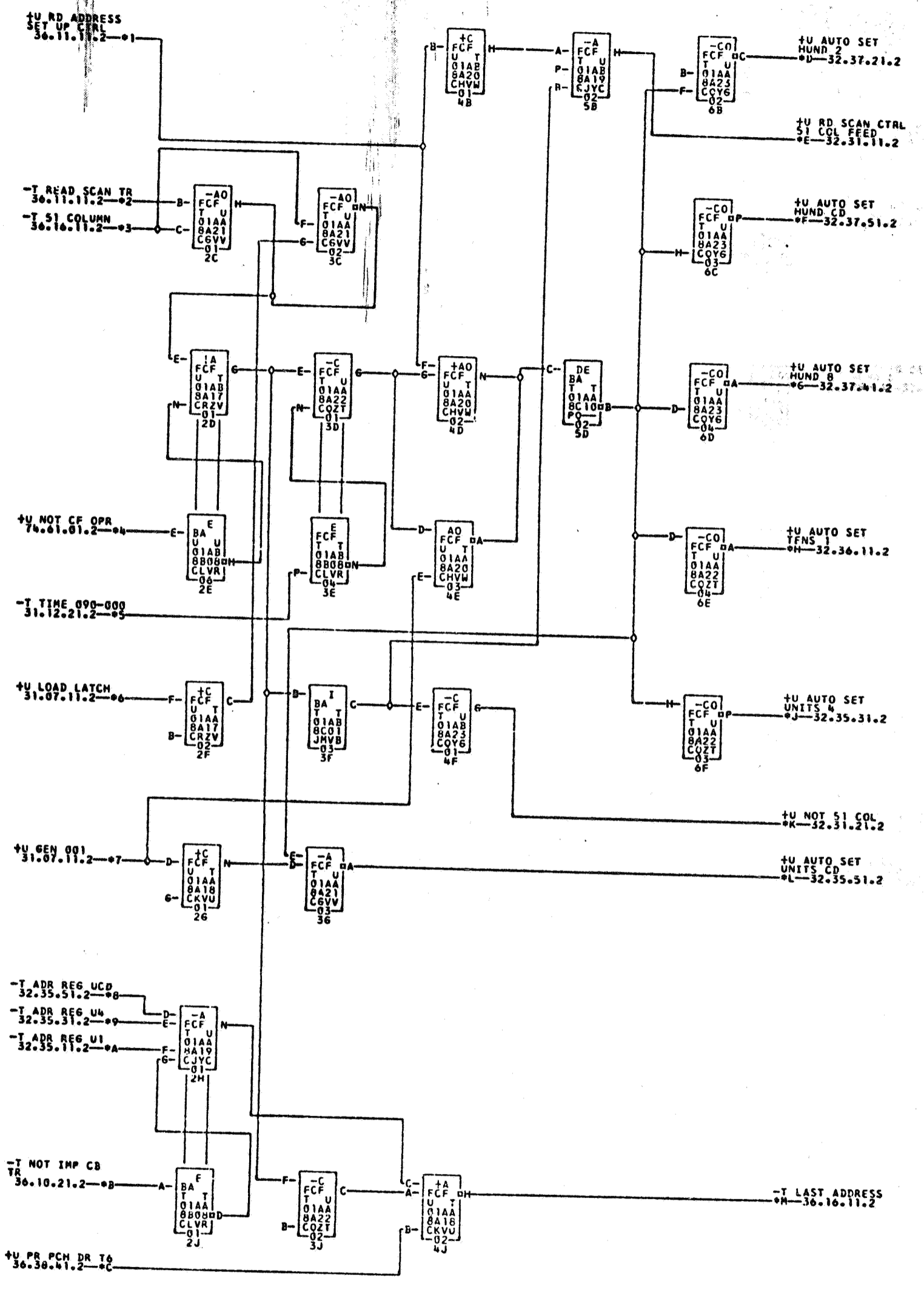
1401FCF

56.00.11.2

TAG DATE

A 5.4.62
TA 1233B

B 25.3.63
TA 1795

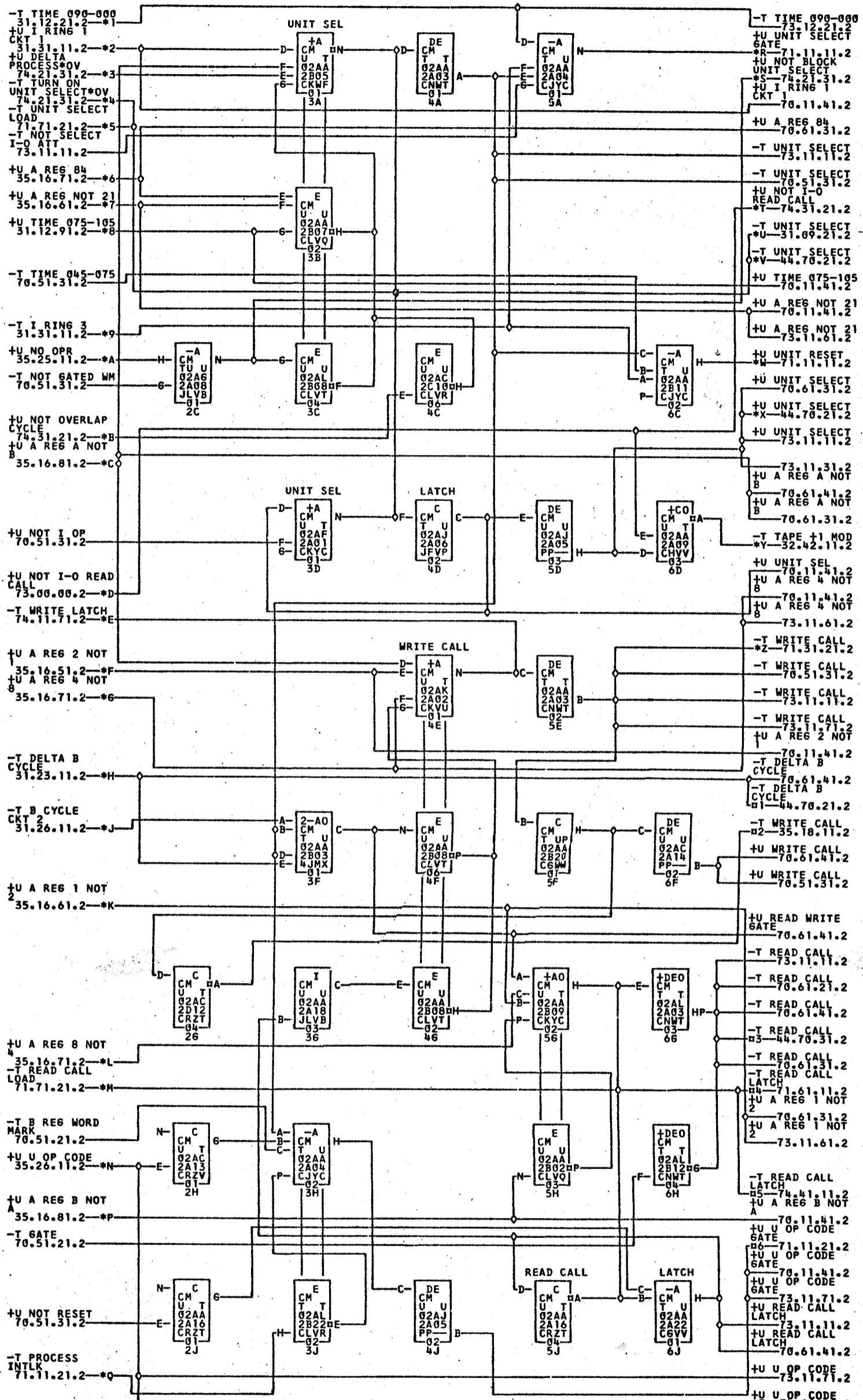


- *1-01A8A24A
- *2-01A8E24P
- *3-01A8A24B
- *4-01A8A24Q
- *5-01A8A26N
- *6-01A8E24R
- *7-01A8A24C
- *8-01A8A24G
- *9-01A8A24F
- *A-01A8A24E
- *B-01A8E24N
- *C-01A8E24M
- *D-01A8A24J
- *E-01A8A24K
- *F-01A8A24L
- *G-01A8A24H
- *H-01A8A24N
- *I-01A8A24P
- *K-01A8A24R
- *L-01A8A24D
- *M-01A8A26Q
- *N-01A7D25Q
- *O-01A6C26Q

COMMENTS
USE FOR 51 COLUMN FEED ONLY

TAG DATE E.C.NO. TAG DATE E.C.NO. TAG DATE E.C.NO. TAG DATE E.C.NO.
 A 12-18-61 113530 B 12-19-62 114177C

728968

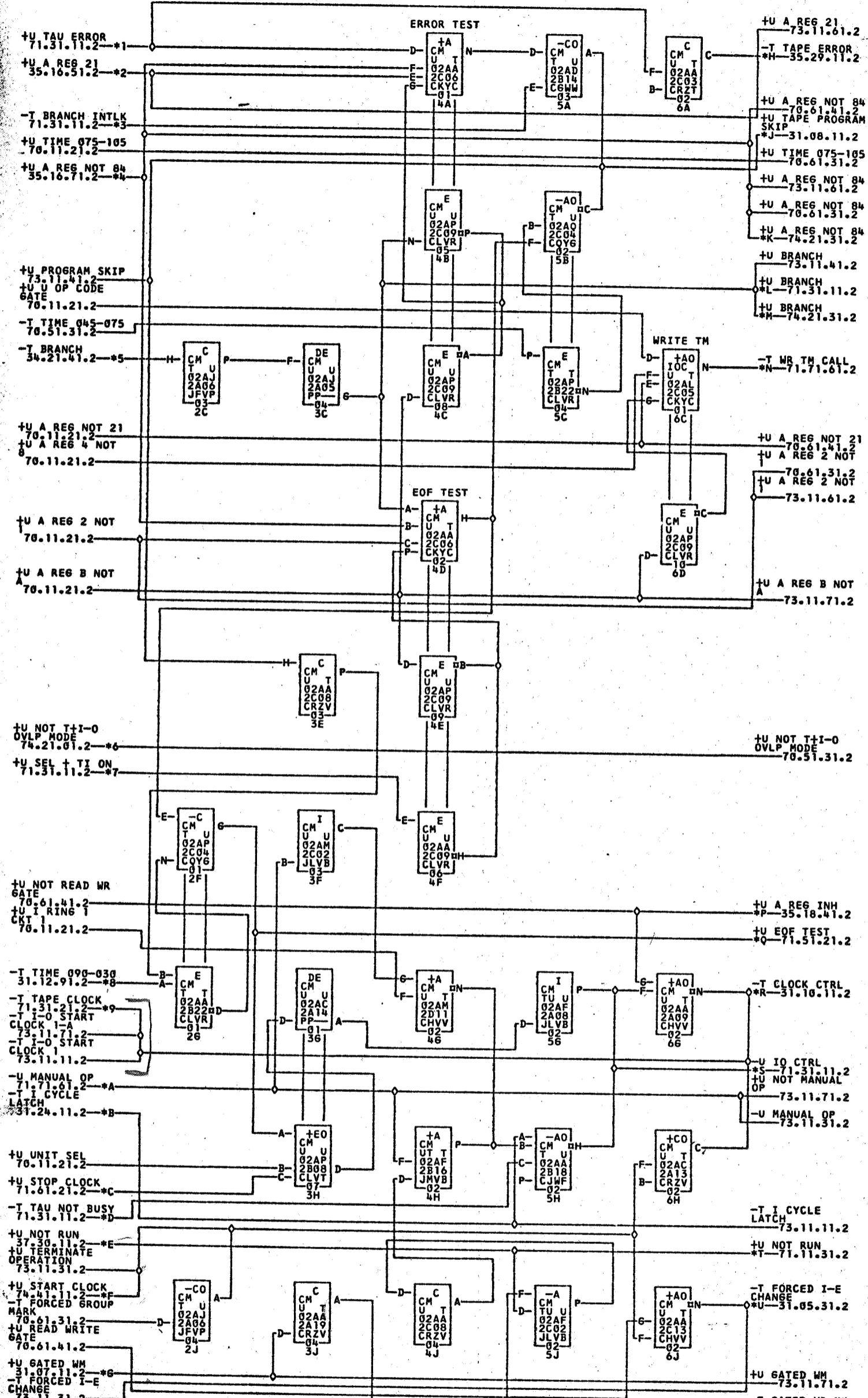


- *1-02A2B24E
- *2-02A2A24N
- *3-02A2B24C
- *4-02A2B23C
- *5-02A2C25C
- *6-02A2C24F
- *7-02A2C24L
- *8-02A2B24K
- *9-02A2A24B
- *A-02A2C24J
- *B-02A2C24H
- *C-02A2C24M
- *D-02A2C24N
- *E-02A2B25C
- *F-02A2C24M
- *G-02A2C25E
- *H-02A2C24D
- *I-02A2C24G
- *J-02A2A24H
- *K-02A2C24J
- *L-02A2C24E
- *M-02A2B25R
- *N-02A2C23G
- *O-02A2C266
- *P-02A2C24D
- *Q-02A2C26F
- *R-02A2C24J
- *S-02A2B23J
- *T-02A2B23D
- *U-02A2A24O
- *V-02A2A23K
- *W-02A2B23R
- *X-02A2A23A
- *Y-02A2B24R
- *Z-02A2C26B
- *1-02A2A23F
- *2-02A2C26B
- *3-02A2A23C
- *4-02A2C256
- *5-02A2B23E
- *6-02A2C26D
- *7-02A2A24A
- *8-02A2C256
- *9-02A2C15F
- *A-02A2C24F
- *B-02A2C24C
- *C-02A2C24J
- *D-02A2C24D
- *E-02A2C24D
- *F-02A2C24D
- *G-02A2C24D
- *H-02A2C24D
- *I-02A2C24D
- *J-02A2C24D
- *K-02A2C24D
- *L-02A2C24D
- *M-02A2C24D
- *N-02A2C24D
- *O-02A2C24D
- *P-02A2C24D
- *Q-02A2C24D
- *R-02A2C24D
- *S-02A2C24D
- *T-02A2C24D
- *U-02A2C24D
- *V-02A2C24D
- *W-02A2C24D
- *X-02A2C24D
- *Y-02A2C24D
- *Z-02A2C24D
- *1-02A2C24D
- *2-02A2C24D
- *3-02A2C24D
- *4-02A2C24D
- *5-02A2C24D
- *6-02A2C24D
- *7-02A2C24D
- *8-02A2C24D
- *9-02A2C24D
- *A-02A2C24D
- *B-02A2C24D
- *C-02A2C24D
- *D-02A2C24D
- *E-02A2C24D
- *F-02A2C24D
- *G-02A2C24D
- *H-02A2C24D
- *I-02A2C24D
- *J-02A2C24D
- *K-02A2C24D
- *L-02A2C24D
- *M-02A2C24D
- *N-02A2C24D
- *O-02A2C24D
- *P-02A2C24D
- *Q-02A2C24D
- *R-02A2C24D
- *S-02A2C24D
- *T-02A2C24D
- *U-02A2C24D
- *V-02A2C24D
- *W-02A2C24D
- *X-02A2C24D
- *Y-02A2C24D
- *Z-02A2C24D
- *1-02A2C24D
- *2-02A2C24D
- *3-02A2C24D
- *4-02A2C24D
- *5-02A2C24D
- *6-02A2C24D
- *7-02A2C24D
- *8-02A2C24D
- *9-02A2C24D
- *A-02A2C24D
- *B-02A2C24D
- *C-02A2C24D
- *D-02A2C24D
- *E-02A2C24D
- *F-02A2C24D
- *G-02A2C24D
- *H-02A2C24D
- *I-02A2C24D
- *J-02A2C24D
- *K-02A2C24D
- *L-02A2C24D
- *M-02A2C24D
- *N-02A2C24D
- *O-02A2C24D
- *P-02A2C24D
- *Q-02A2C24D
- *R-02A2C24D
- *S-02A2C24D
- *T-02A2C24D
- *U-02A2C24D
- *V-02A2C24D
- *W-02A2C24D
- *X-02A2C24D
- *Y-02A2C24D
- *Z-02A2C24D
- *1-02A2C24D
- *2-02A2C24D
- *3-02A2C24D
- *4-02A2C24D
- *5-02A2C24D
- *6-02A2C24D
- *7-02A2C24D
- *8-02A2C24D
- *9-02A2C24D
- *A-02A2C24D
- *B-02A2C24D
- *C-02A2C24D
- *D-02A2C24D
- *E-02A2C24D
- *F-02A2C24D
- *G-02A2C24D
- *H-02A2C24D
- *I-02A2C24D
- *J-02A2C24D
- *K-02A2C24D
- *L-02A2C24D
- *M-02A2C24D
- *N-02A2C24D
- *O-02A2C24D
- *P-02A2C24D
- *Q-02A2C24D
- *R-02A2C24D
- *S-02A2C24D
- *T-02A2C24D
- *U-02A2C24D
- *V-02A2C24D
- *W-02A2C24D
- *X-02A2C24D
- *Y-02A2C24D
- *Z-02A2C24D
- *1-02A2C24D
- *2-02A2C24D
- *3-02A2C24D
- *4-02A2C24D
- *5-02A2C24D
- *6-02A2C24D
- *7-02A2C24D
- *8-02A2C24D
- *9-02A2C24D
- *A-02A2C24D
- *B-02A2C24D
- *C-02A2C24D
- *D-02A2C24D
- *E-02A2C24D
- *F-02A2C24D
- *G-02A2C24D
- *H-02A2C24D
- *I-02A2C24D
- *J-02A2C24D
- *K-02A2C24D
- *L-02A2C24D
- *M-02A2C24D
- *N-02A2C24D
- *O-02A2C24D
- *P-02A2C24D
- *Q-02A2C24D
- *R-02A2C24D
- *S-02A2C24D
- *T-02A2C24D
- *U-02A2C24D
- *V-02A2C24D
- *W-02A2C24D
- *X-02A2C24D
- *Y-02A2C24D
- *Z-02A2C24D

COMMENTS

TAG	DATE	E.C.NO.	TAG	DATE	E.C.NO.	TAG	DATE	E.C.NO.	TAG	DATE	E.C.NO.
A	06-12-61	110329V	B	07-10-61	110324K	C	08-11-61	110324N	D	09-18-61	110324V
E	10-05-61	115286	F	11-09-61	112324K	G	12-06-61	113424B	H	04-04-62	115278
J	04-13-62	115289	K	08-21-62	116239	L	12-16-62	116749B			

724246



- *1-02A2A25K
- *2-02A2C24K
- *3-02A2A250
- *4-02A2C246
- *5-02A2C23M
- *6-02A2B25F
- *7-02A2A25N
- *8-02A2B24D
- *9-02A2C26L
- *A-02A2A25M
- *B-02A2A246
- *C-02A2A25R
- *D-02A2A25P
- *E-02A2B24K
- *F-02A2B26D
- *G-02A2C23P
- *H-02A2A24E
- *I-02C01P
- *J-02A2A24P
- *K-02A2B25P
- *L-02A2C26R
- *M-02A2B25N
- *N-02A2C25H
- *O-02B1A03N
- *P-02A2A26H
- *Q-02A2C26N
- *R-02A2C26P
- *S-02A2D26H
- *T-02A2C26P
- *U-02A0C03E
- *V-02A0D17B
- *W-01A3D23M
- *X-02A2C26P
- *Y-01B3A036
- *Z-02A0D01F
- *AA-01B2C01D
- *AB-01B2C01D
- *AC-01B2C01D
- *AD-01B2C01D
- *AE-01B2C01D
- *AF-01B2C01D
- *AG-01B2C01D
- *AH-01B2C01D
- *AI-01B2C01D
- *AJ-01B2C01D
- *AK-01B2C01D
- *AL-01B2C01D
- *AM-01B2C01D
- *AN-01B2C01D
- *AO-01B2C01D
- *AP-01B2C01D
- *AQ-01B2C01D
- *AR-01B2C01D
- *AS-01B2C01D
- *AT-01B2C01D
- *AU-01B2C01D
- *AV-01B2C01D
- *AW-01B2C01D
- *AX-01B2C01D
- *AY-01B2C01D
- *AZ-01B2C01D

COMMENTS

TAG	DATE	E.C.NO.	TAG	DATE	E.C.NO.	TAG	DATE	E.C.NO.	TAG	DATE	E.C.NO.
A	06-12-61	110320V	B	07-10-61	110324K	C	08-11-61	110324N	D	09-11-61	110325U
E	11-09-61	112251	F	12-06-61	113422	G	12-19-61	113555	H	04-04-62	115270
J	04-13-62	115289	K	05-16-62	115302	L	07-17-62	116225	M	08-21-62	116239
N	11-08-62	116353	P	12-10-62	116749B	Q	09-16-63	118575B			

724247

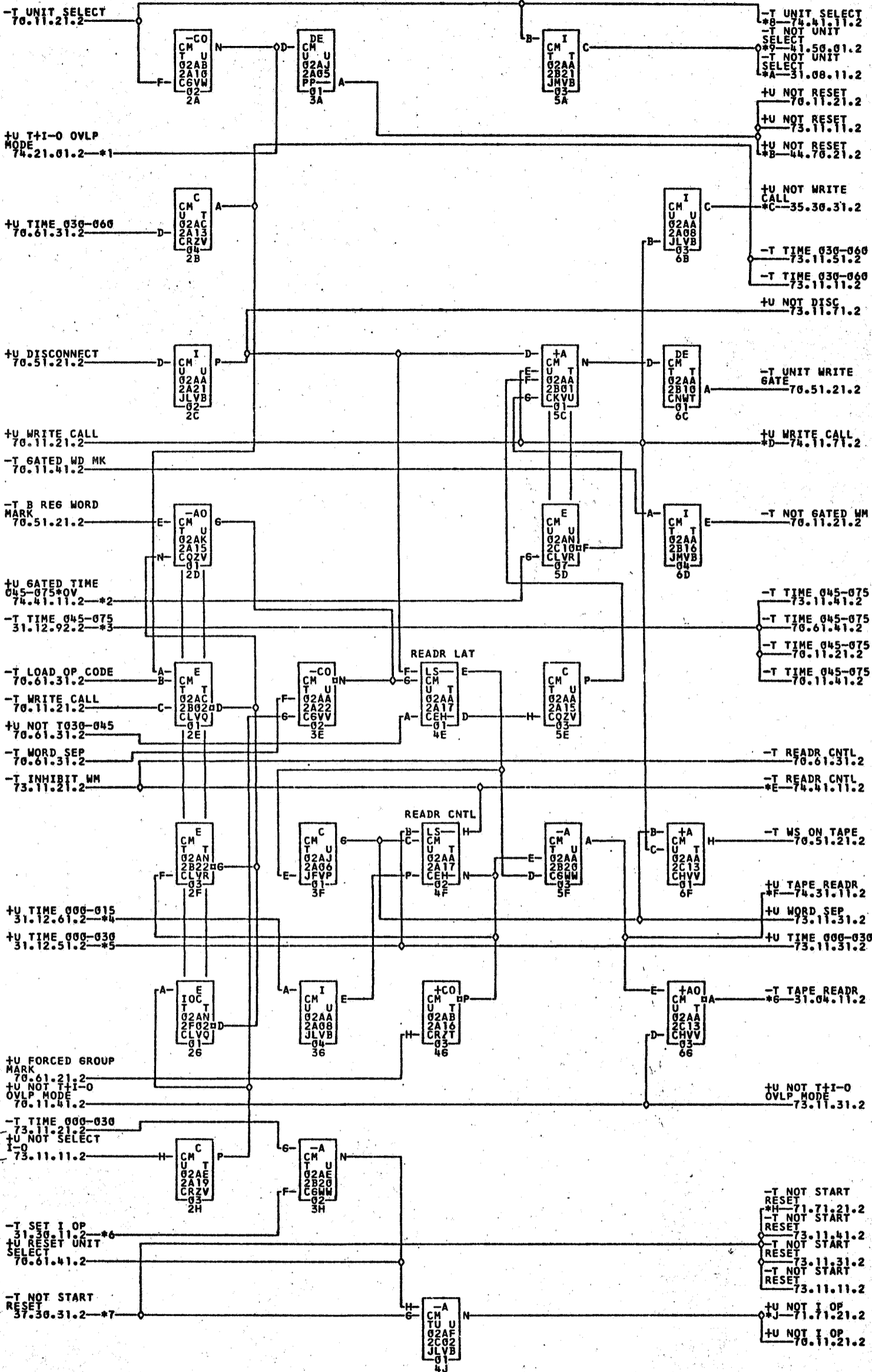
0724249

WRITE GATING

1401 IO

70.51.31.2

TAG DATE



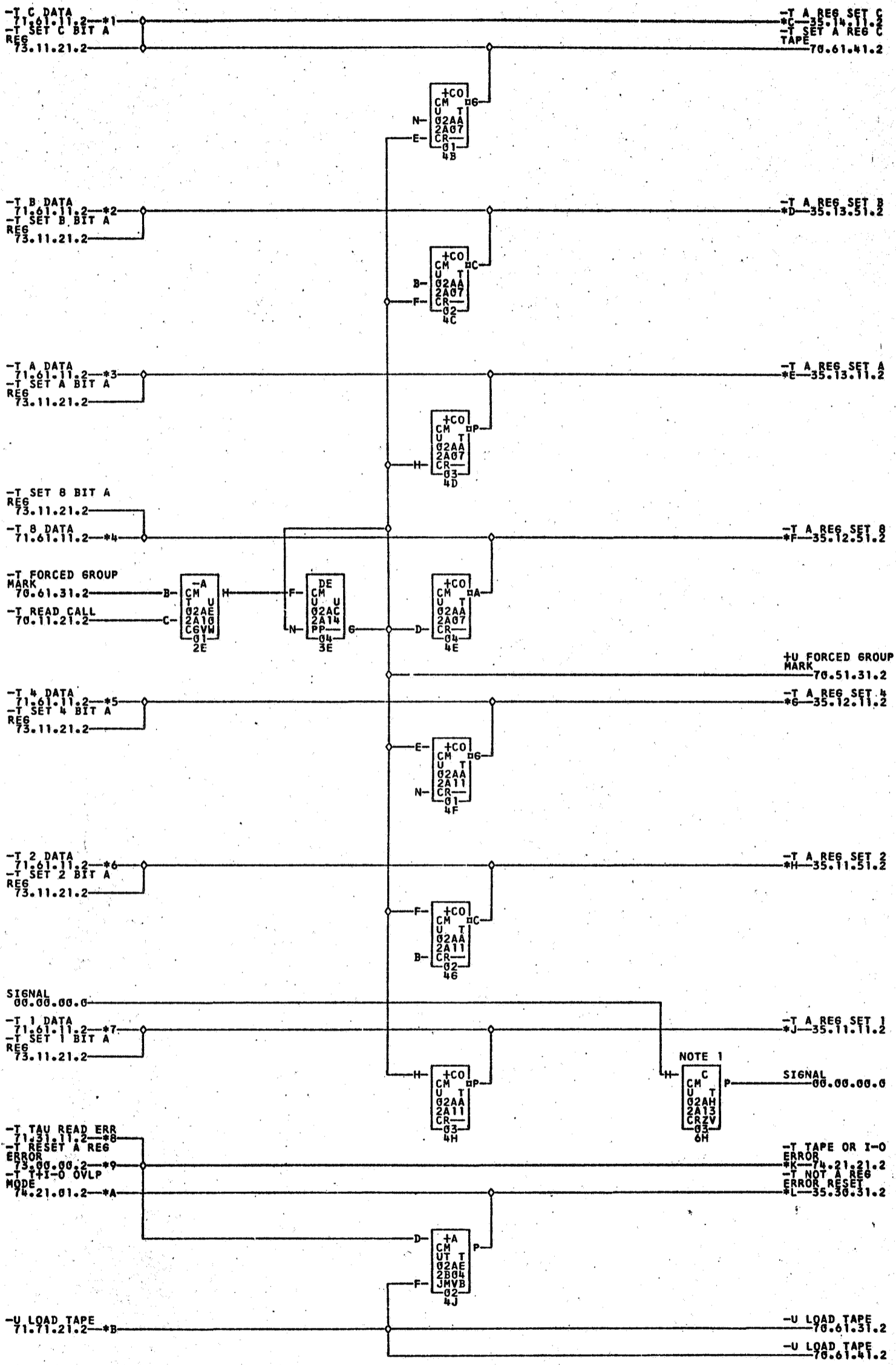
M 7.2.63
TA 1715A
N 12.3.63
TA 1775

- *1-02A2B25J
- *2-02A2B26E
- *3-02A2B24L
- *4-02A2B24F
- *5-02A2B24H
- *6-02A2A24C
- *7-02A2B24J
- *8-02A2B23L
- *9-02A2A23E
- *A-02A2A24K
- *B-02A2A236
- *C-02A2C230
- *D-01B2C01K
- *E-02B6F016
- *F-02AF17B
- *G-01B1C030
- *H-02B1D03H
- *I-02B1D03D
- *J-02A2C26K
- *K-02B1D03M
- *L-02A2B23H
- *M-02B1D03N
- *N-02A0E05F
- *O-01B2C01R
- *P-02A2C26H
- *Q-02A1C26H

COMMENTS

TAG	DATE	F	C	NO.	TAG	DATE	F	C	NO.	TAG	DATE	F	C	NO.	TAG	DATE	F	C	NO.
A	06-12-61			110329V	B	07-10-61			110324K	C	08-11-61			110324N	D	09-11-61			110324O
J	04-13-62			1103280	K	08-07-62			110256	L	08-21-62			110259	H	04-04-62			110274
N	12-18-62			110749B											M	10-23-62			110728

724249

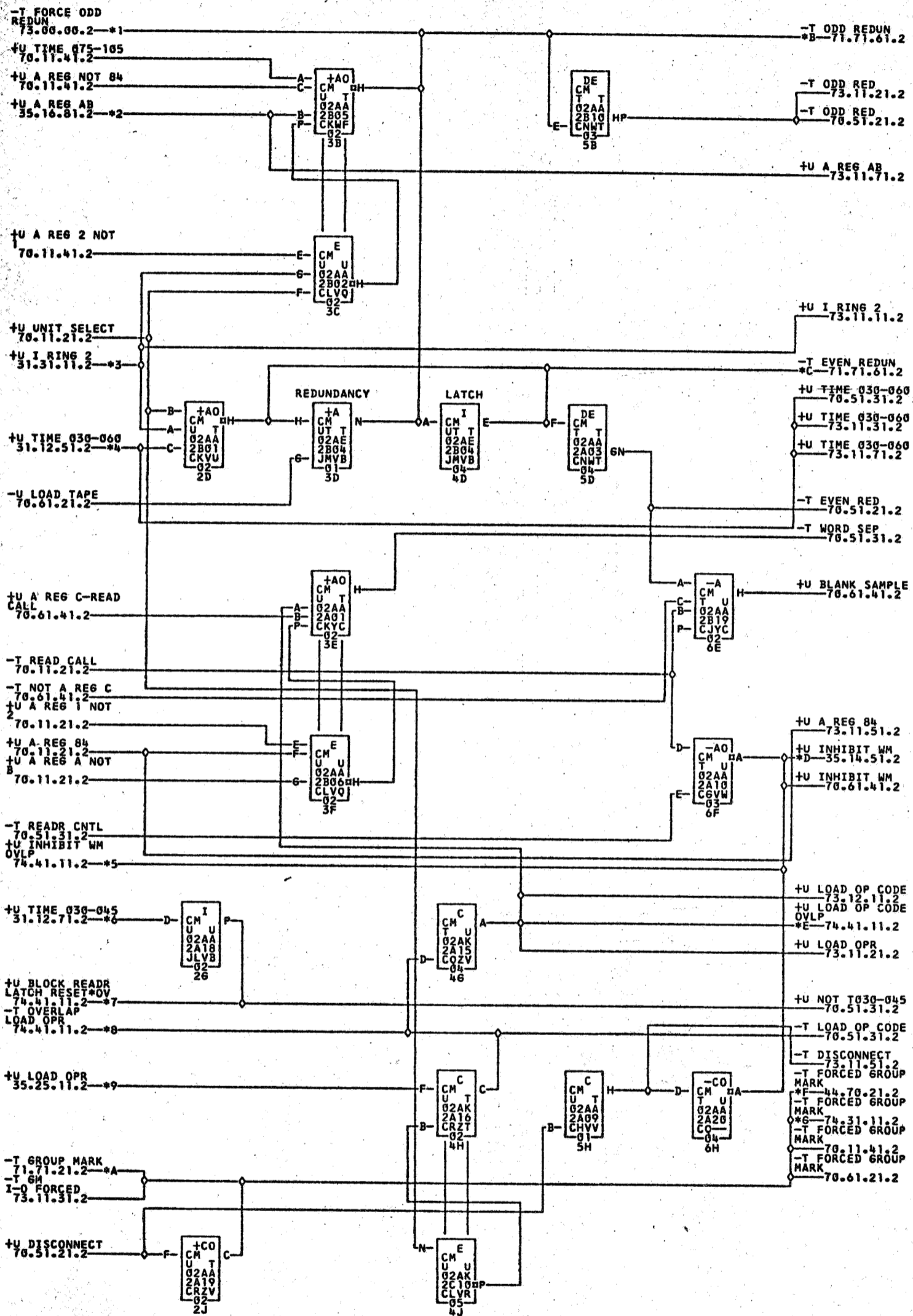


*1-02A2C25K	*2-02A2C25L	*3-02A2C25M	*4-02A2C25N	*5-02A2C25P	*6-02A2C25Q
*7-02A2C25R	*8-02A2A25L	*9-02TD-008	02A2F26P	*A-02A2B25H	*B-02A2C26Q
*C-02A2A26G	02A0D07C	01A3F23E	*D-02A2A26F	02A0D05C	01A3F23F
*E-02A2A26E	02A0D03C	01A3F23E	*F-02A2A26D	02A0D01C	01A3F23D
*G-02A2A26C	02A0C19C	01A3F23C	*H-02A2A26B	02A0C17C	01A3F23B
*J-02A2A26A	02A0C15C	01A3F23A	*K-02A2B25L	02B1A03L	*L-02A2A24F
02A0D05F	01B2C01F	01B2E03Q	01B6E01Q		

NOTE1-THESE COMMENTS
 COMMENTS
 NOTE1-THESE CKT USED FOR TIEDOWN WITH
 TAPES MISSING, AND I-O ON THE
 MACHINE.

TAG DATE	E.C.NO.	TAG DATE	E.C.NO.	TAG DATE	E.C.NO.	TAG DATE	E.C.NO.
A 06-12-61	119329V	B 07-16-61	116324K	C 08-11-61	116324N	D 10-05-61	112232
E 12-06-61	113422	F 05-11-62	115294	G 07-17-62	112225	H 12-16-62	116759B

724250



- *1-02TD-004
- *2-02A2C24B
- *3-02A2A24H
- *4-02A2B24M
- *5-02A2B266
- *6-02A2B24G
- *7-02A2B26F
- *8-02A2B26H
- *9-02A2C23C
- *A-02A2C26M
- *B-02A2A25A
- *C-02A2A25B
- *D-02A2A26J
- *E-02A2B23P
- *F-02A2A23B
- *G-02B6F01B
- *H-02A0D11B
- *I-02A2B25D
- *J-02B1D03P
- *K-02A3D23J
- *L-02B1A03D

COMMENTS

TAG DATE	E.C.NO.	TAG DATE	E.C.NO.	TAG DATE	E.C.NO.	TAG DATE	E.C.NO.
A 06-12-61	110320V	B 07-10-61	110324K	C 08-11-61	110324N	D 11-09-61	112251
E 12-09-61	113422	F 04-04-62	115278	G 05-11-62	115294	H 07-17-62	116225
J 06-07-62	116230	K 12-10-62	116749B	L 09-10-63	118575B		

724251

0724252

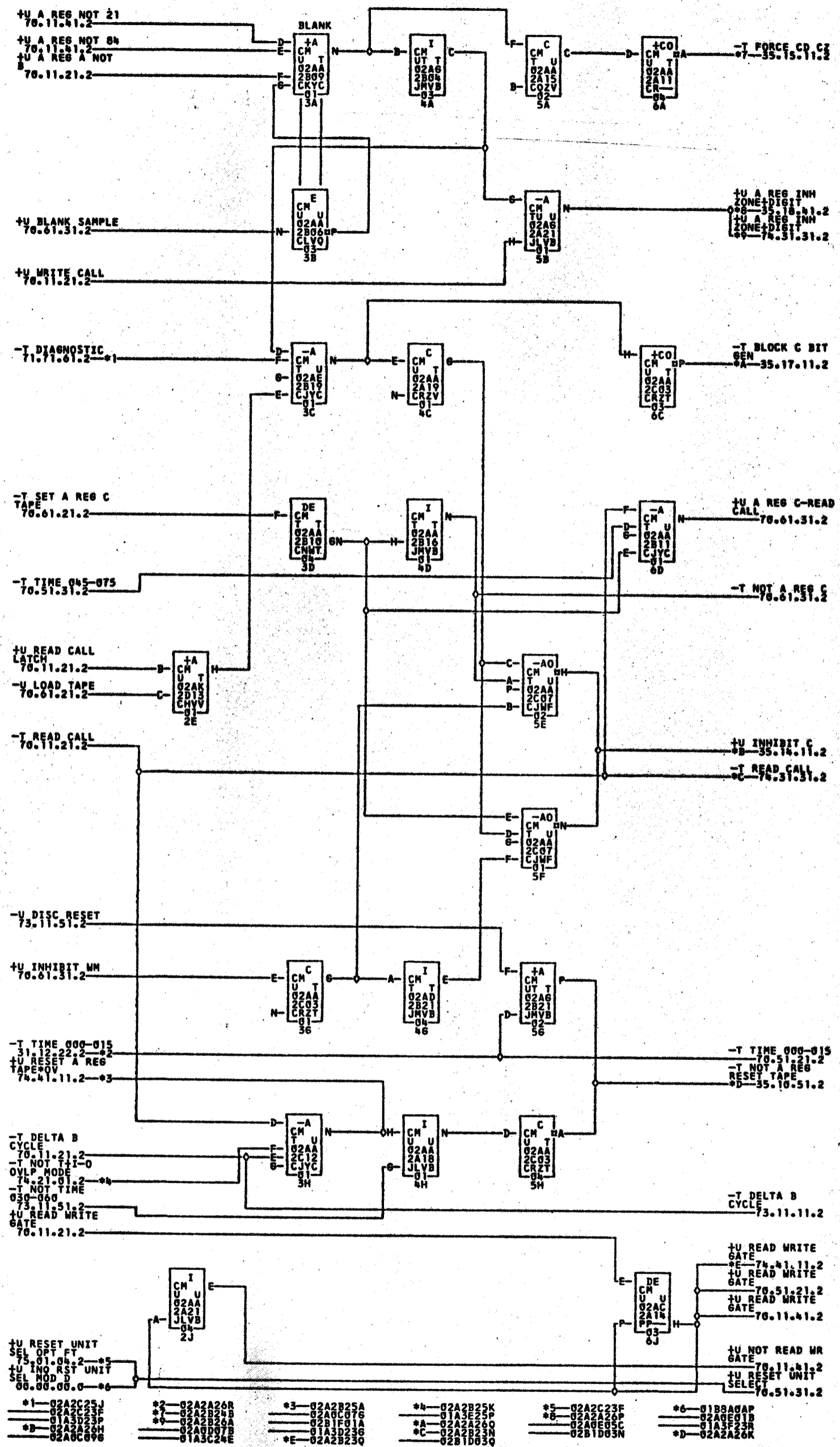
READ GATING

1401 IO

70.61.41.2

TAG DATE

M 28.8.63
TA 1917A
N 29.10.63
TA 1990A



- *1- 02A2C25J
- *2- 02A2A26R
- *3- 02A2B25A
- *4- 02A2B25K
- *5- 02A2C23F
- *6- 01B8A0AP
- *7- 02A2B24B
- *8- 02A2B26A
- *9- 02A2B27B
- *A- 02A2A26O
- *B- 02A2B23N
- *C- 02A2B23N
- *D- 02A2A26K
- *E- 02A2B23Q
- *F- 01A3E25P
- *G- 02A2A26P
- *H- 02A2B23N
- *I- 02A2B23N
- *J- 02A2B23N
- *K- 02A2B23N
- *L- 02A2B23N
- *M- 02A2B23N
- *N- 02A2B23N

COMMENTS

TAG DATE	E.C.NO.	TAG DATE	E.C.NO.	TAG DATE	E.C.NO.	TAG DATE	E.C.NO.
A 06-12-61	110320V	B 07-10-61	110324K	C 08-11-61	110325M	D 09-11-61	110326N
E 10-05-61	112232Z	F 11-09-61	112251K	G 12-06-61	113422M	H 12-10-61	113531N
J 05-10-62	115302Z	K 08-21-62	116239	L 12-10-62	116760B	M 04-19-63	117486
N 08-06-63	118306						

724252

0724253

FEED THRU SHEET

1401 10

70.65.11.2

TAG DATE

-T OP DECODE B
NOT A
71.71.21.2-#1

-T OP DECODE B
NOT A
#7-35.22.11.2

D 12.3.63
TA 1775

+U LOAD TAPE
RESET
71.71.21.2-#2

+U LOAD TAPE
RESET
#8-35.21.11.2

E 28.8.63
TA 1917A

-T OP DECODE 21
NOT B
71.71.21.2-#3

-T OP DECODE 21
NOT B
#9-35.23.21.2

+U GATE OV
GP MK
70.51.11.2-#4

+U GATE OV
GP MK
#A-44.70.21.2

GROUND
00.00.00.0-#5

REF COM
#B-00.00.00.0
REF COM
#C-00.00.00.0
REF COM
#D-00.00.00.0
REF COM
#E-00.00.00.0
REF COM
#F-00.00.00.0

GROUND 1
00.00.00.0-#6

REF COM 1
#G-00.00.00.0
REF COM 1
#H-00.00.00.0

*1-02A2C25B
*7-02A2C23D
*A-02A2B26B
*6-02A2E26R

*2-02A2C25D
*8-02A0E15B
*B-02A2E23A
*H-02A2F24A

*3-02A2C25F
*9-02A2C23A
*C-02A2E24A

*4-02A2A23L
*2-02A0E07B
*D-02A2E25A

*5-02A2E22J
*7-02A2C23B
*E-02A2E26A

*6-02A2F23J
*9-02A0E11B
*F-02A2C22J

COMMENTS

TAG DATE	F.C.NO.	TAG DATE	F.C.NO.	TAG DATE	F.C.NO.	TAG DATE	F.C.NO.
A 06-12-61	110320V	B 08-11-61	110324N	C 11-08-62	110353	D 12-10-62	110749B
E 06-05-63	117953						

0724295

OPERATIONAL DECODE

1401 MT

71.11.11.2

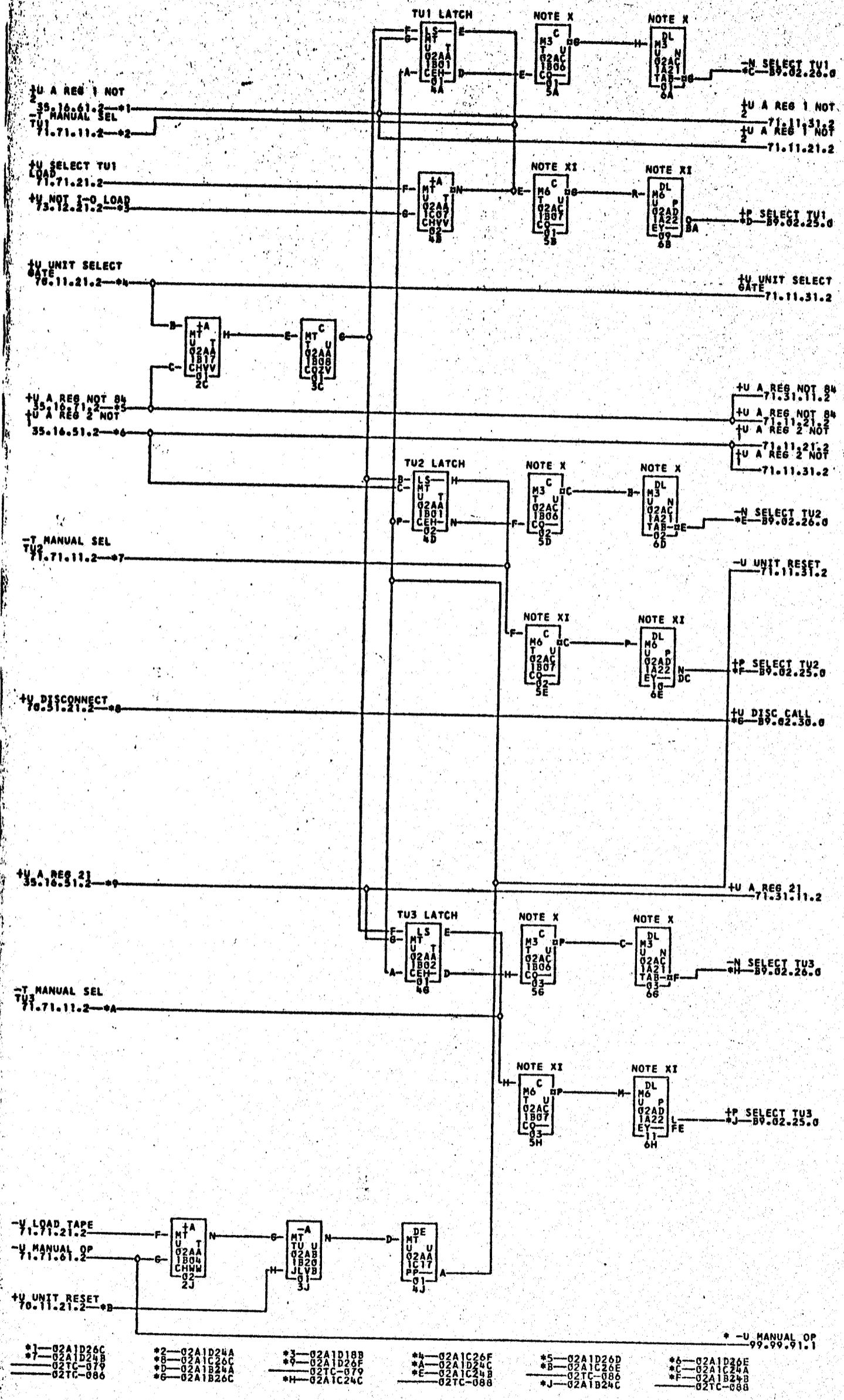
TAG DATE

D 12-3-63

TA 1775

E 12-11-63

TA 604A

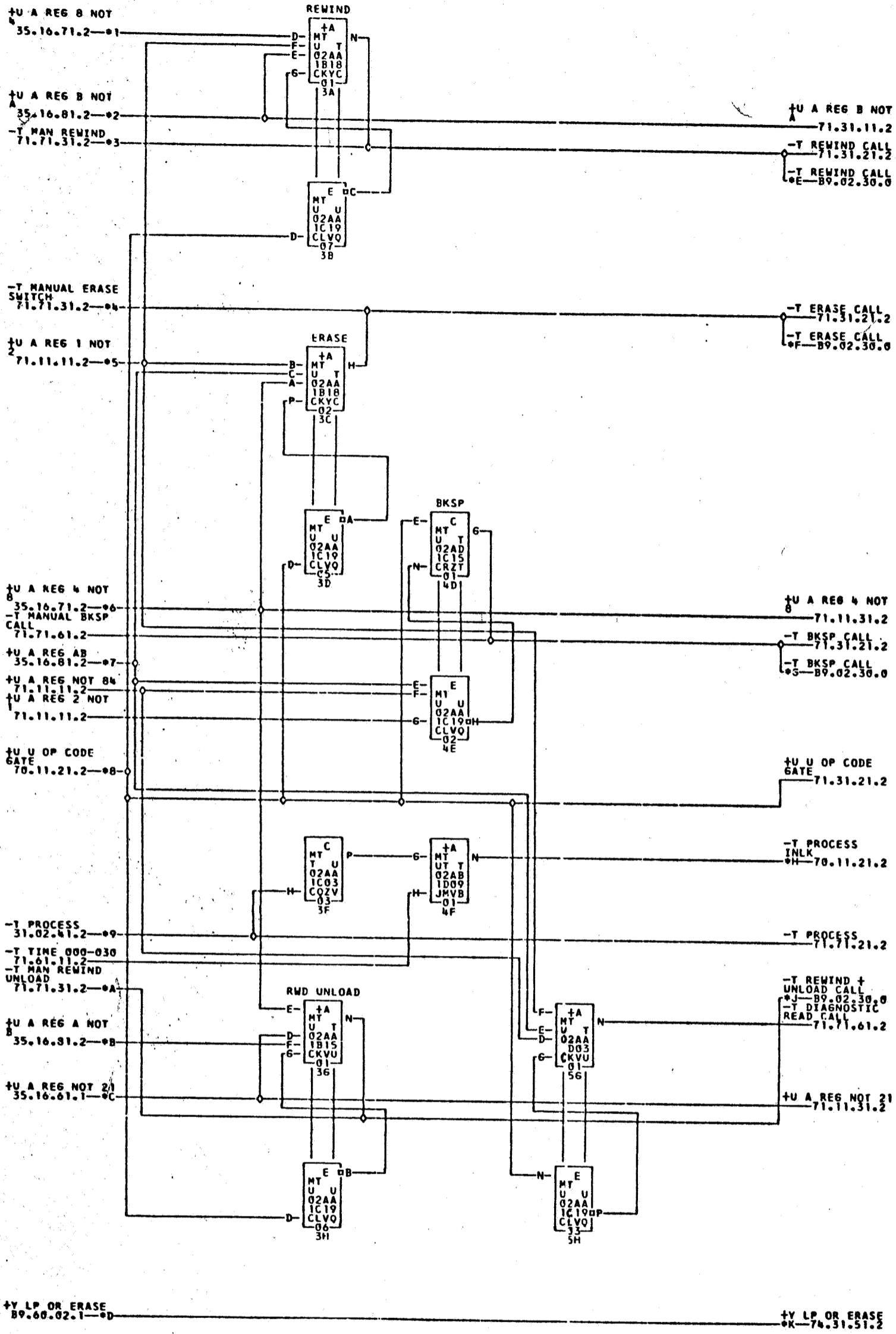


- *1-02A1D26C
- *2-02A1D24A
- *3-02A1D18B
- *4-02A1C26F
- *5-02A1D26D
- *6-02A1D24B
- *7-02A1D24B
- *8-02A1C26C
- *9-02A1D26F
- *A-02A1D24C
- *B-02A1C26E
- *C-02A1B24A
- *D-02A1B24A
- *E-02A1C24B
- *F-02A1B24B
- *G-02A1B26C
- *H-02A1C24C
- *I-02A1C24B
- *J-02A1B24C
- *K-02A1D26E
- *L-02A1C24A
- *M-02A1B24B
- *N-02A1B26C

COMMENTS
 NOTE X PLUGGED FOR 73305 ONLY
 NOTE XI PLUGGED FOR 7295 ONLY
 SIGNALS PRECEDED BY * INDICATE
 DIRECT CABLE EXPANSION

TAG DATE	E.C.NO.	TAG DATE	E.C.NO.	TAG DATE	E.C.NO.	TAG DATE	E.C.NO.
A 06-12-61	1103202	B 12-06-61	113422	C 03-12-62	114613	D 12-17-62	116749E
E 09-16-63	118575B						

724295



- *1-02A1D26L
- *2-02A1D26N
- *3-02A1D23A
- *4-02A1D226
- *5-02A1D26C
- *6-02A1D26M
- *7-02A1D26P
- *8-02A1C26D
- *9-02A1D20D
- *A-02A1D23L
- *B-02A1D26Q
- *C-02A1D266
- *D-02A1B25N
- *E-02A1B25B
- *F-02A1B26F
- *G-02A1B25A
- *H-02A1C266
- *I-02A1B25C
- *J-02A1D17R
- *K-02B1E03R

COMMENTS TAG DATE E.C.NO. TAG DATE E.C.NO. TAG DATE E.C.NO. TAG DATE E.C.NO.
 A 06-12-61 1103202 B 12-06-61 113422 C 03-12-62 114613 D 12-17-62 116749E

724296

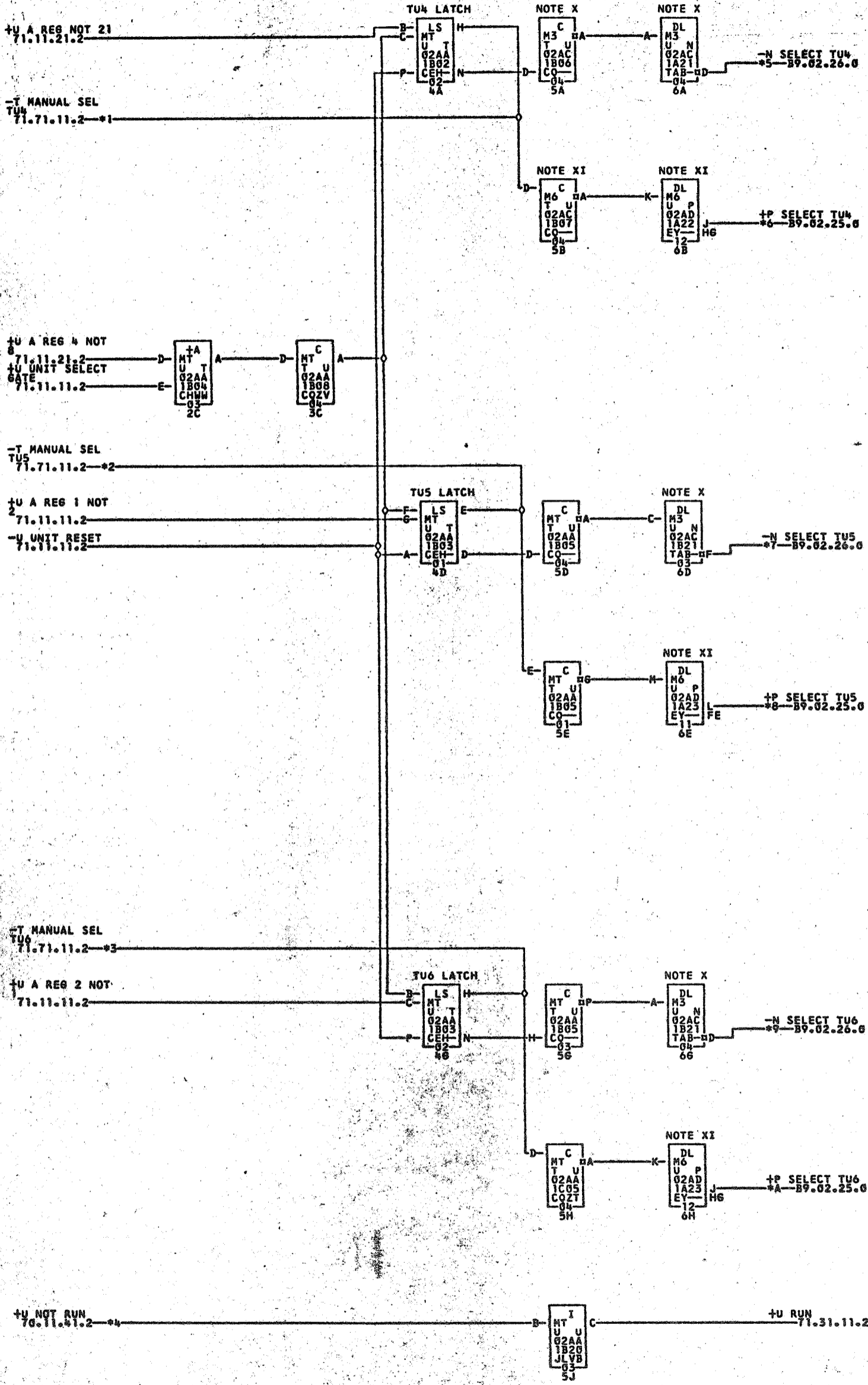
0724297

OPERATIONAL DECODE

1481 MT

71.11.31.2

TAG DATE



D 12-3-68
TA 1775
E 12-11-68
TA 604A

- *1-02A1D24D *2-02A1D24E *3-02A1D24F *4-02A1C26P *5-02A1C24D *6-02A1B24E
- *7-02A1C24E *8-02A1C26P *9-02A1C24D *A-02A1B24F *B-02A1C26P *C-02A1B24E
- *D-02A1C24F *E-02A1C26P *F-02A1C24E *G-02A1B24F *H-02A1C26P *I-02A1B24E

NOTES X-CIRCUIT USED FOR 7330S ONLY
 NOTE X2-PLUGGED FOR 729S ONLY

TAG DATE	E.C.NO.	TAG DATE	E.C.NO.	TAG DATE	E.C.NO.	TAG DATE	E.C.NO.
A 06-12-61	116320Z	B 09-18-61	116324V	C 03-12-62	116613	D 12-17-62	116749E
E 09-16-63	118575B						

1724297

0724298

CLOCK TIMING CONTROLS

1401 MT

71.31.11.2

TAG DATE

NOTE X
00.00.00.0--*1

+U WD 52
89.02.35.0--*2

+U WD 72
89.02.35.0--*3

+U WD 328
89.02.35.0--*4

OR WD-1888
89.02.35.0--*4

+U CONTINUOUS
RESTART
71.71.01.2

-12 VOLTS A
NOTE X1
71.71.31.2--*5

-T TAPE DISC*OV
74.21.11.2--*6

+U WRITE COND
89.02.35.0--*7

*-T NOT PROCESS
CHK
31.02.11.2

-T MANUAL DISC
SWITCH
71.71.31.2--*8

+U SEL + TI ON
89.02.35.0--*9

+U NOT I-O
SELECT
73.11.11.2--*A

+U READ CALL
71.61.11.2

-U ERROR
89.02.35.0--*B

+U MANUAL OP
71.71.21.2

+U BUSY
89.02.35.0--*C

-T TIME 045-060
31.12.31.2--*D

+U FND STOP
DELAY
89.02.35.0--*E

-U IO CTRL
70.11.41.2--*F

-T NOT PROCESS
CHK STOP
31.02.11.2--*G

+U A REG B NOT
A
71.11.21.2

+U A REG NOT 84
71.11.11.2

+U A REG 21
71.11.11.2

-U TU READY
89.02.35.0--*H

+U BRANCH
70.11.41.2--*J

+U RUN
71.11.31.2

-U MANUAL OP
71.71.61.2

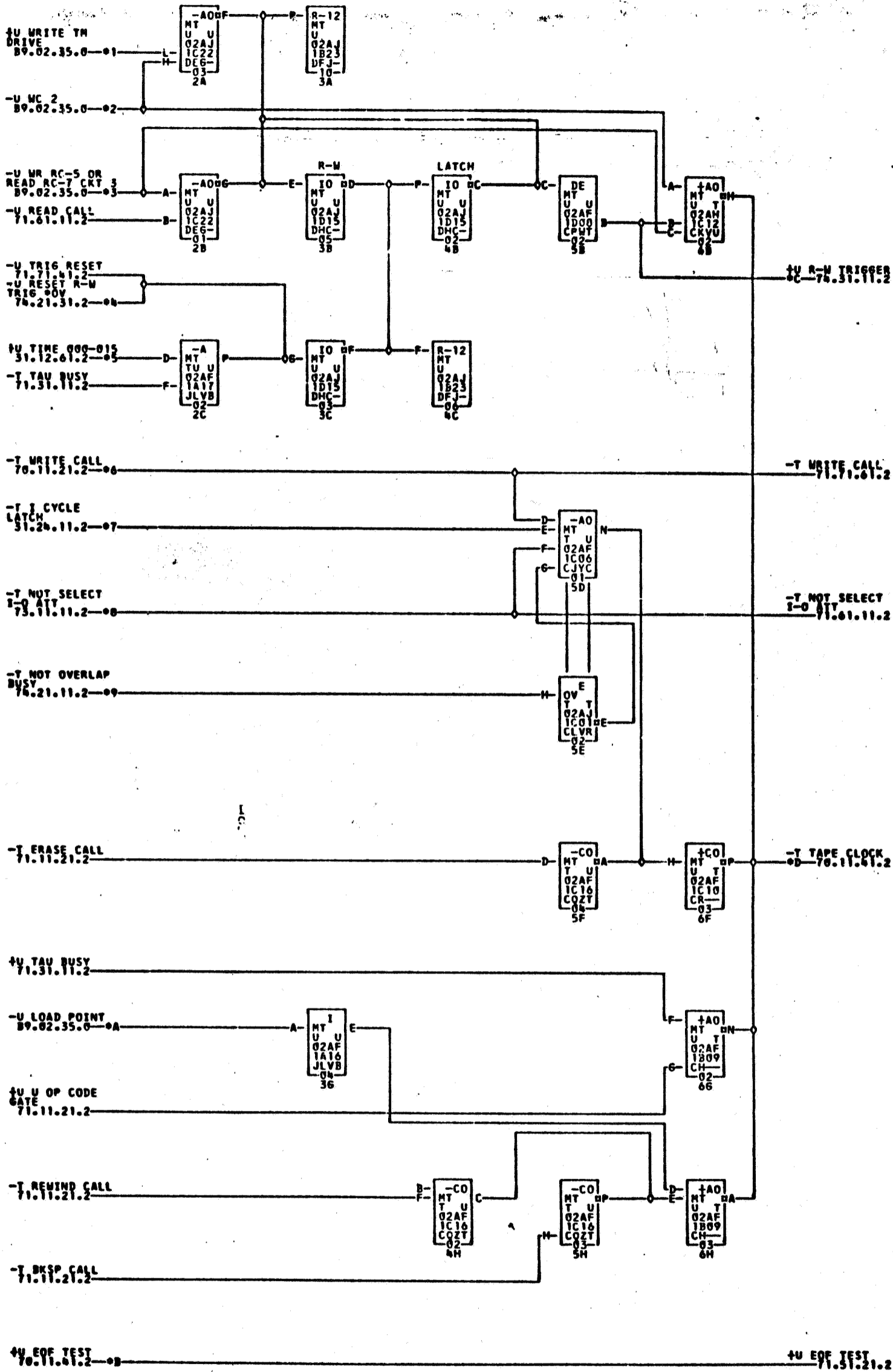
+U I-I-O OVER-
EXTENSION
74.21.11.2--*K

- *1-G2A1A26J
- *2-G2A1A26B
- *3-G2A1A26C
- *4-G2A1A26D
- *5-G2A1A26A
- *6-G2A1D17N
- *7-G2A1B24K
- *8-G2A1D25H
- *9-G2A1B25O
- *10-G2A1D25I
- *11-G2A1B25P
- *12-G2A1B25R
- *13-G2A1D26H
- *14-G2A1A26K
- *15-G2A1B25Q
- *16-G2A1D25N
- *17-G2A1D17P
- *18-G2A1B24D
- *19-G2A1D25K
- *20-G2A1D18G
- *21-G2A1D25L
- *22-G2A1D25J
- *23-G2A1D25M
- *24-G2A1D25K
- *25-G2A1D18G
- *26-G2A2D26E
- *27-G2A1D25O
- *28-G2A1D25L
- *29-G2A2A25O
- *30-G2A1D25H
- *31-G2A1D25M
- *32-G2A1D25H
- *33-G2A1A25M
- *34-G2A1D25H
- *35-G2A1A25M
- *36-G2A1D25H
- *37-G2A1A25M
- *38-G2A1D25H
- *39-G2A1A25M
- *40-G2A1D25H
- *41-G2A1A25M
- *42-G2A1D25H
- *43-G2A1A25M
- *44-G2A1D25H
- *45-G2A1A25M
- *46-G2A1D25H
- *47-G2A1A25M
- *48-G2A1D25H
- *49-G2A1A25M
- *50-G2A1D25H
- *51-G2A1A25M
- *52-G2A1D25H
- *53-G2A1A25M
- *54-G2A1D25H
- *55-G2A1A25M
- *56-G2A1D25H
- *57-G2A1A25M
- *58-G2A1D25H
- *59-G2A1A25M
- *60-G2A1D25H
- *61-G2A1A25M
- *62-G2A1D25H
- *63-G2A1A25M
- *64-G2A1D25H
- *65-G2A1A25M
- *66-G2A1D25H
- *67-G2A1A25M
- *68-G2A1D25H
- *69-G2A1A25M
- *70-G2A1D25H
- *71-G2A1A25M
- *72-G2A1D25H
- *73-G2A1A25M
- *74-G2A1D25H
- *75-G2A1A25M
- *76-G2A1D25H
- *77-G2A1A25M
- *78-G2A1D25H
- *79-G2A1A25M
- *80-G2A1D25H
- *81-G2A1A25M
- *82-G2A1D25H
- *83-G2A1A25M
- *84-G2A1D25H
- *85-G2A1A25M
- *86-G2A1D25H
- *87-G2A1A25M
- *88-G2A1D25H
- *89-G2A1A25M
- *90-G2A1D25H
- *91-G2A1A25M
- *92-G2A1D25H
- *93-G2A1A25M
- *94-G2A1D25H
- *95-G2A1A25M
- *96-G2A1D25H
- *97-G2A1A25M
- *98-G2A1D25H
- *99-G2A1A25M
- *100-G2A1D25H

NOTE X-THIS TAP WRITES A ONE CHARACTER RECORD
NOTE Y-THIS TAP WRITES CONTINUOUS SIGNALS PRECEDED BY * INDICATE DIRECT CABLE EXPANSION

TAG DATE	E.C.NO.	TAG DATE	E.C.NO.	TAG DATE	E.C.NO.	TAG DATE	E.C.NO.
A 06-12-61	116320Z	F 09-10-61	116324N	C 09-11-61	116324U	D 10-11-61	112235
E 12-06-61	11342Z	F 11-05-62	116726	G 12-17-62	116749E	H 09-16-63	118575B

724298



- 01-02A1B25E 02-02A1A26P 03-02A1A26E 04-02A1D17E 05-02A1D26A 06-02A1G29B
- 07-02A1D24E 08-02A1D18A 09-02A1D17L 0A-02A1B25E 0B-02A1C26N 0C-02A1G29B
- 0D-02B1B03K 0E-02A1C26L

COMMENTS

TAG DATE	E.C.NO.	TAG DATE	E.C.NO.	TAG DATE	E.C.NO.	TAG DATE	E.C.NO.
A 06-12-61	1103202	B 08-10-61	110324N	C 11-18-61	112916	D 12-06-61	113422
E 01-23-62	113835	F 04-13-62	115280	G 05-02-62	115298	H 11-05-62	116726
J 12-17-62	116749E						

724299

0724300

WRITE GATING INPUT TO TAU

1401 MT

71.51.21.2

TAG DATE

+U DATA C
70.51.21.2-#1

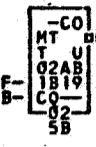
-T MANUAL C BIT
71.71.31.2-#2



+U C BIT WRITE
DATA LINE
#6-B9.02.30.1

+U DATA A
70.51.21.2-#3

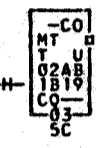
-T MANUAL A BIT
71.71.31.2-#4



+U A BIT WRITE
DATA LINE
#H-B9.02.30.0

+U DATA B
70.51.21.2-#5

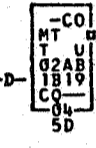
-T MANUAL B BIT
71.71.31.2-#6



+U B BIT WRITE
DATA LINE
#J-B9.02.30.0

+U DATA 8
70.51.21.2-#7

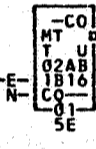
-T MANUAL 8 BIT
71.71.31.2-#8



+U 8 BIT WRITE
DATA LINE
#K-B9.02.30.0

+U DATA 4
70.51.21.2-#9

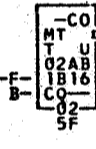
-T MANUAL 4 BIT
71.71.31.2-#A



+U 4 BIT WRITE
DATA LINE
#L-B9.02.30.0

+U DATA 2
70.51.21.2-#B

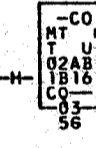
-T MANUAL 2 BIT
71.71.31.2-#C



+U 2 BIT WRITE
DATA LINE
#M-B9.02.30.0

+U DATA 1
70.51.21.2-#D

-T MANUAL 1 BIT
71.71.31.2-#E



+U 1 BIT WRITE
DATA LINE
#N-B9.02.30.0

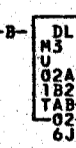
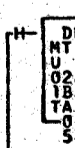
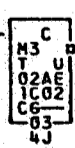
-T TURN OFF TI
71.71.21.2

+U EOP TEST
70.11.41.2-#F



+U TURN OFF TI
#P-B9.02.30.0

-T PROCESS M
TAPE TAU 9
99.99.91.1



-N PROCESS M
#Q-B9.02.25.0

SHIELD GRD
#R-00.00.00.0

SHIELD GRD
#S-00.00.00.0

-N PROCESS M
#T-B9.02.26.0

- *1-02A1D25J
- *2-02A1D23D
- *3-02A1D256
- *4-02A1D23F
- *5-02A1D25H
- *6-02A1D23E
- *7-02A1D25F
- *8-02A1D236
- *9-02A1D25E
- *A-02A1D23H
- *B-02A1D25D
- *C-02A1D23J
- *D-02A1D25C
- *E-02A1D23K
- *F-02A1C26N
- *G-02A1A24G
- *H-02A1A24E
- *I-02A1D25I
- *J-02A1A24F
- *K-02A1A24D
- *L-02A1A24C
- *M-02A1A24B
- *N-02A1A24A
- *O-02A1B246
- *P-02A1B25K
- *Q-02A1B246
- *R-02A1B24H
- *S-02A1C24H
- *T-02A1C246
- *U-02TC-049
- *V-02TC-049

724300
604A

COMMENTS
SIGNALS PRECEDED BY * INDICATE
DIRECT CABLE EXPANSION

TAG DATE E.C.NO.
A 06-12-61 110320Z
E 09-16-63 118575B

TAG DATE E.C.NO.
B 12-06-61 113422

TAG DATE E.C.NO.
C 04-13-62 115280

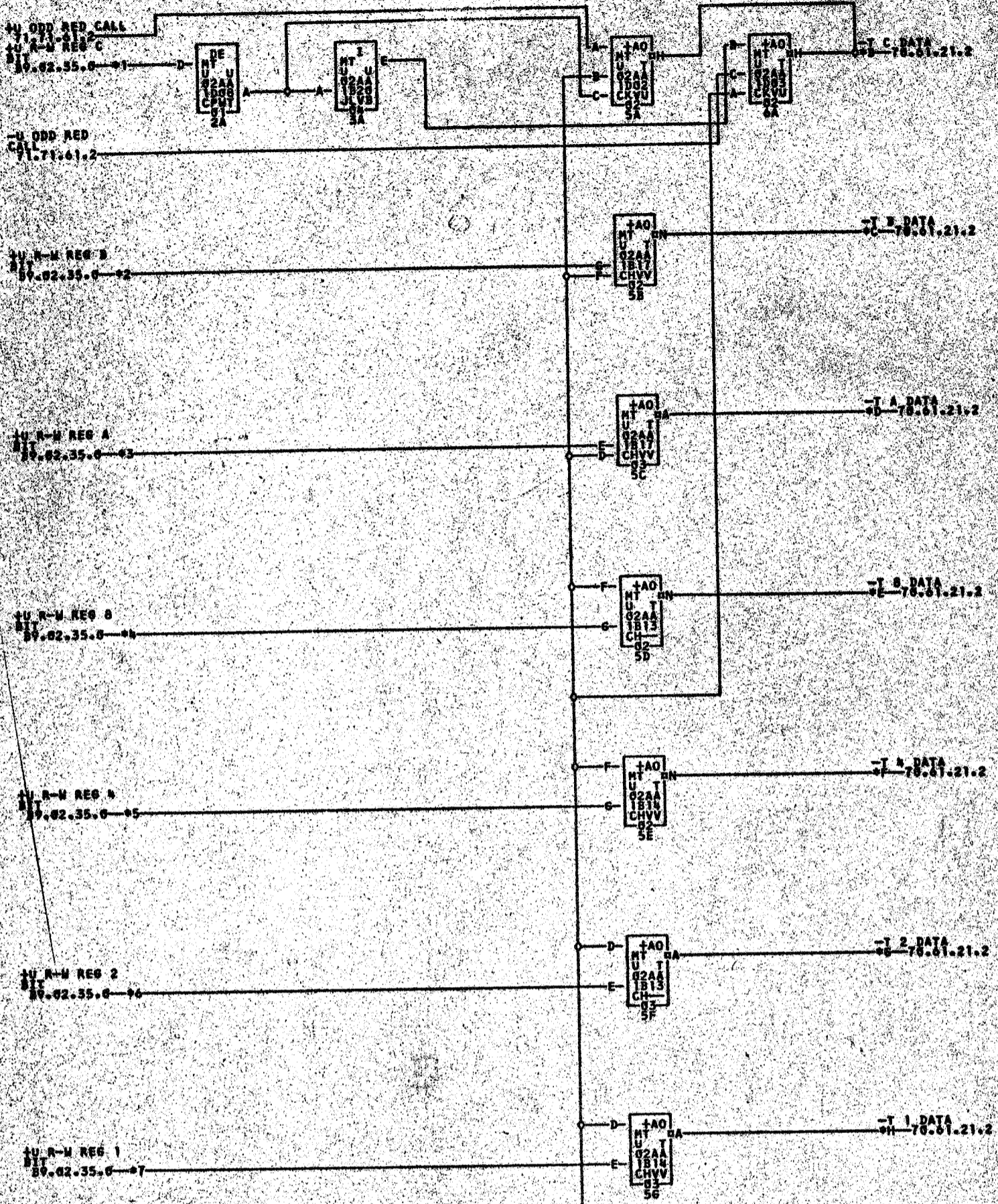
TAG DATE E.C.NO.
D 12-17-62 116749E

8724301

READ GATING

TA01 HT 71.07.11.2

TA01 DATE



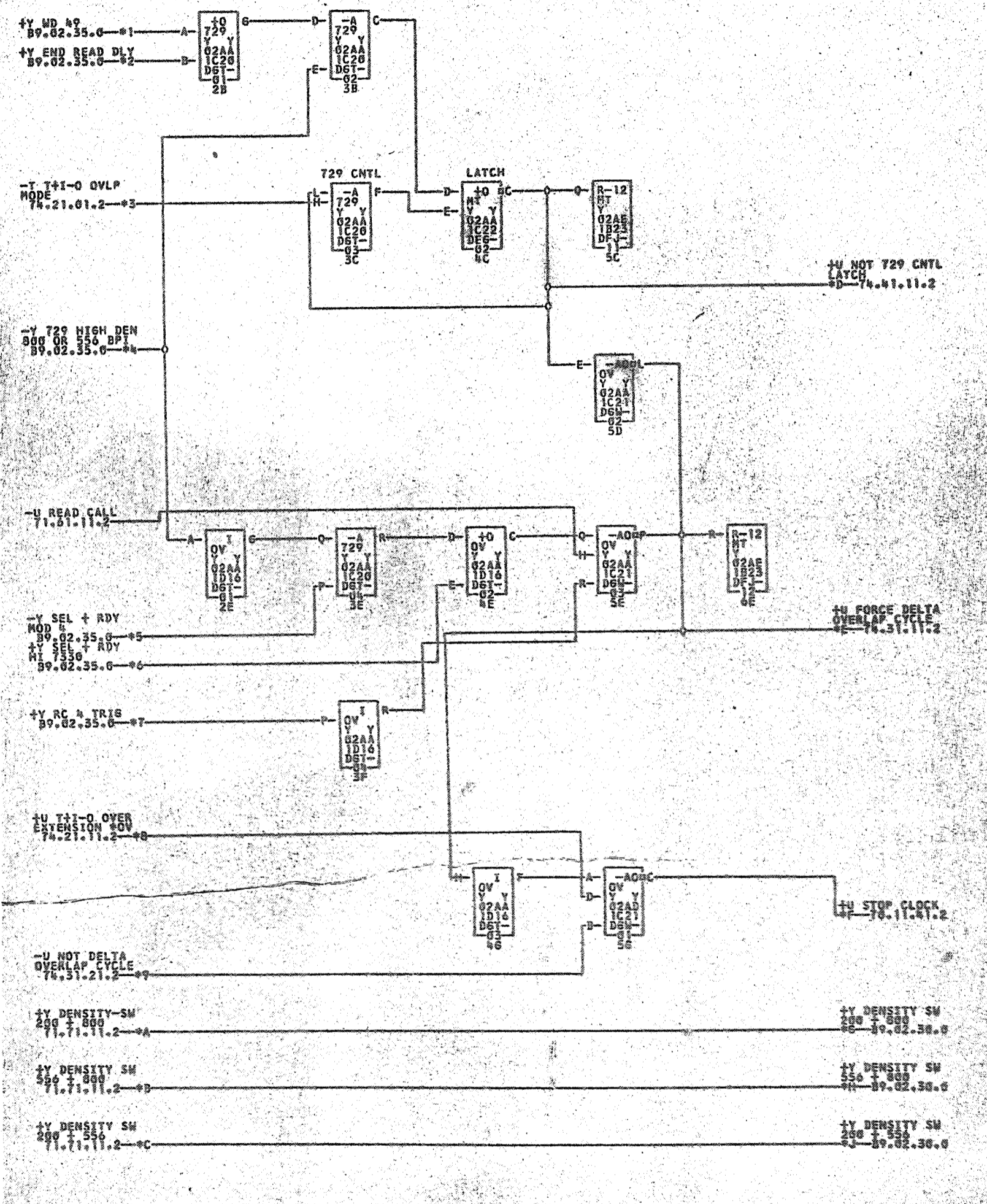
E 02.2.62
TA 1179
C 12.3.63
TA 1775

- 01-02AA1A25B
- 02-02AA1A25C
- 03-02AA1A25E
- 04-02AA1A25D
- 05-02AA1A25C
- 06-02AA1A25B
- 07-02AA1A25B
- 08-02AA1A25C
- 09-02AA1A25E
- 10-02AA1A25D
- 11-02AA1A25C
- 12-02AA1A25B

COMMENTS

TA01 DATE	FIG NO	TA01 DATE	FIG NO	TA01 DATE	FIG NO	TA01 DATE	FIG NO
71-07-11	1153002	71-07-11	1153002	71-07-11	1153002	71-07-11	1153002

724301



- *1- 02A1A25R
- *2- 02A1A260
- *3- 02A1D17C
- *4- 02A1A26H
- *5- 02A1C236
- *6- 02A1C23H
- *7- 02A1C23K
- *8- 02A1D17G
- *9- 02A1D17L
- *A- 02A1D26H
- *B- 02A1D26J
- *C- 02A1D26K
- *D- 02A1C23L
- *E- 02A1E03H
- *F- 02A1D17L
- *G- 02A1C23H

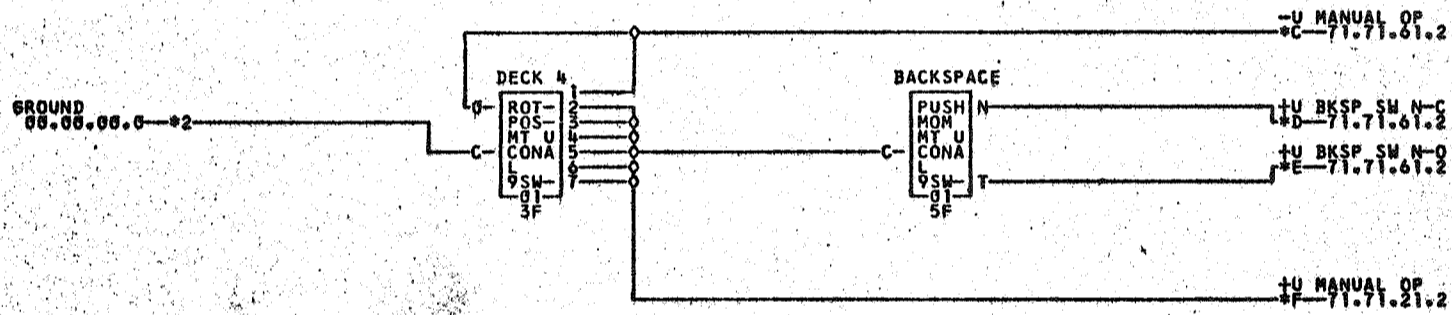
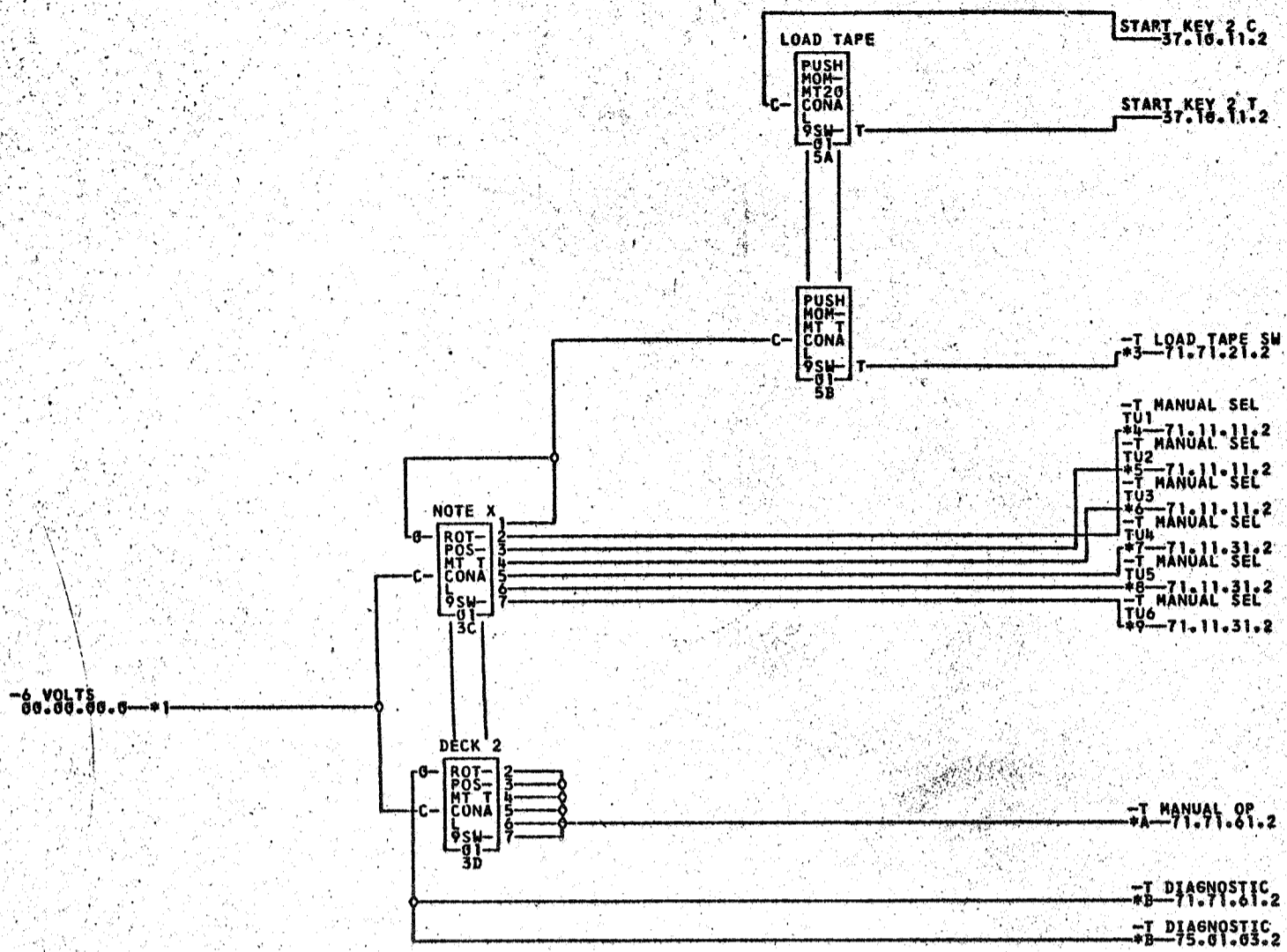
724302

D 12.7.62

TA 1370F

E 12.3.63

TA 1775



RPO RPO # 02AD 1A01 01 26

RPO RPO # 02AD 1A02 01 36

RPO RPO # 02AD 1A03 01 46

RPO RPO # 02AD 1A04 01 56

RPO RPO # 02AD 1A05 01 66

RPO RPO # 02AD 1A06 01 2H

RPO RPO # 02AD 1A12 01 3H

RPO RPO # 02AD 1B12 01 4H

#1 CON-A24E
#2 CON-A16B
#3 CON-A16E
#4 CON-A16F
#5 CON-A16G

#2 CON-A25H
02A0C17A
02A0D03A
02A0E01A
02A0D15A

#3 CON-A166
#4 CON-A16C
#5 CON-A16F
#6 CON-A16H
#7 CON-A16M

02A0D07A
02A0C19A
02A0D05A
02A0D19A
02A0D17A

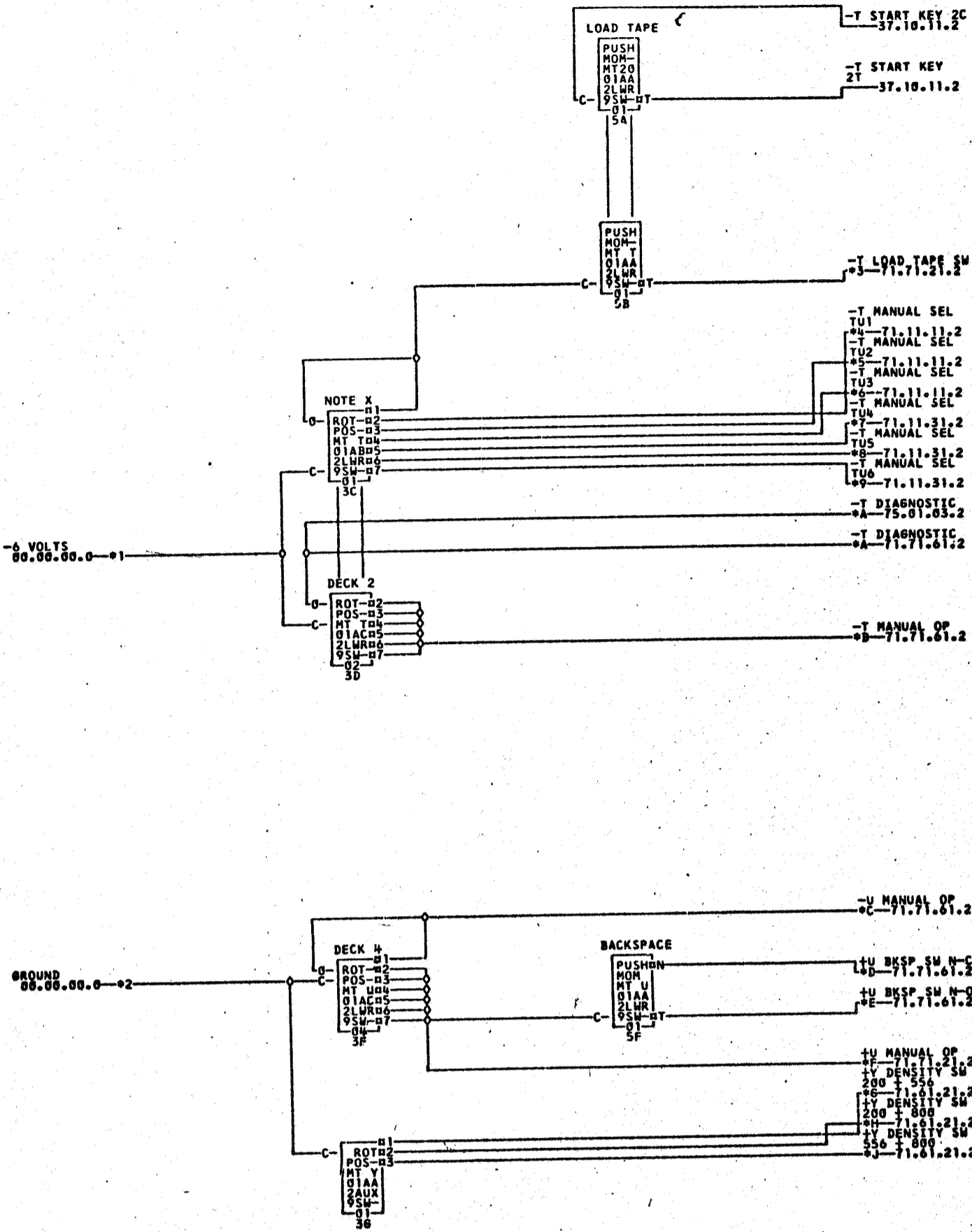
#4 CON-A16A
#7 CON-A16D
#8 CON-A16H
#D CON-A16K

02A0C15A
02A0D01A
02A0D09A
02A0D13A

NOTE X-MANUAL SELECTION SWITCH-DECK 1 NEAREST PANEL

COMMENTS TAG DATE E.C.NO. TAG DATE E.C.NO. TAG DATE E.C.NO. TAG DATE E.C.NO.
A 06-12-61 110320Z B 10-11-61 112235 C 12-06-61 113622 D 05-02-62 115298
E 12-17-62 110749E

724303 1775



- | | | | | | |
|-------------|-------------|-------------|----------|-------------|----------|
| *1-01A2A24E | *2-01A2A24H | *3-01A2A16G | 02A0D07A | *4-01A2A16A | 02A0C15A |
| *5-01A2A16B | 02A0C17B | *6-01A2A16C | 02A0C19A | *7-01A2A16D | 02A0D01A |
| *8-01A2A16E | 02A0D03A | *9-01A2A16F | 02A0D05A | *A-01A2A16P | 02A0D13A |
| *B-01A2A16H | 02A0D09A | *C-01A2A16N | 02A0D19A | *D-01A2A16K | 01A7E250 |
| *E-01A2A16L | 02A0D15A | *F-01A2A16M | 02A0D17A | *G-01A2A16Q | 01A7E25N |
| 01A7C22F | 02A0F04F | 02A1D20K | 02A1C23N | *H-01A2A16O | 01A7E25P |
| 01A7C22D | 02A0F20E | 02A1D20H | 02A1C23L | *J-01A2A16P | |
| 01A7C22E | 02A0F02F | 02A1D20J | 02A1C23M | | |

NOTE X-MANUAL SELECTION SWITCH-DECK 1 NEAREST PANEL

COMMENTS	TAG DATE	E.C.NO.	TAG DATE	E.C.NO.	TAG DATE	E.C.NO.	TAG DATE	E.C.NO.
	A 12-15-61	113530	B 04-04-62	114133	C 01-22-63	114177A		

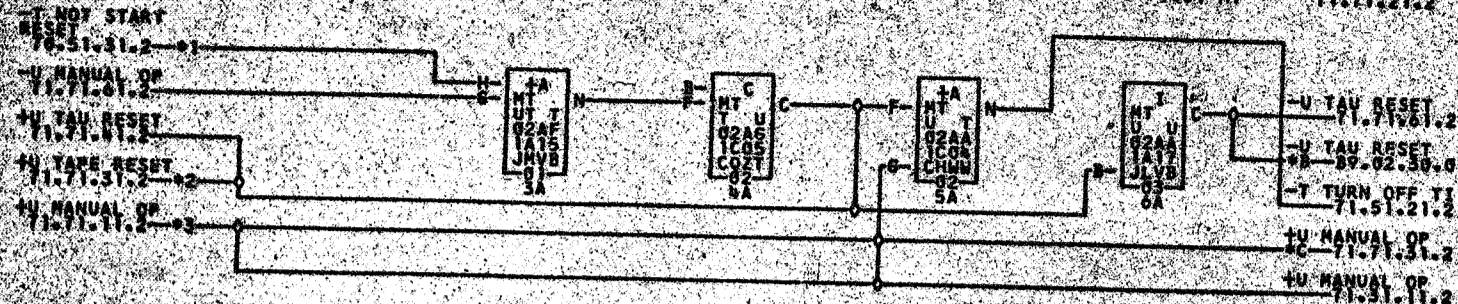
728715
1815A

0724304

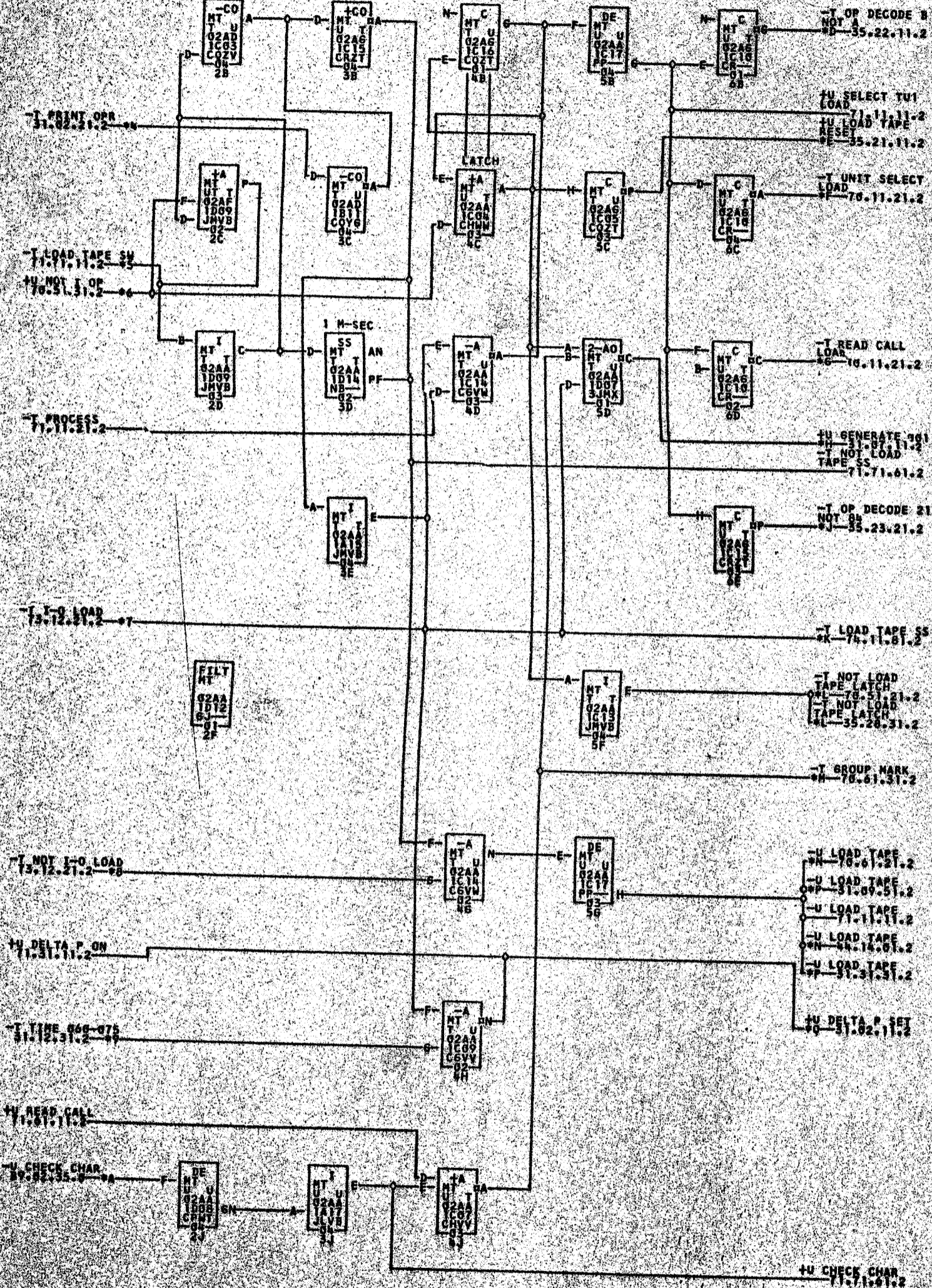
MANUAL OPERATION RESET AND LOAD TAPE

1801 MT 71.71.21.2

FAG DATE



LOAD TAPE



31	02A1C15N	32	02A1D09N	33	02A1D20N	34	02A1D20E	35	02A1D20G	36	02A1C26K
37	02A1D18D	38	02A1C15N	39	02A1D09N	40	02A1D20N	41	02A1D20E	42	02A1C26K
43	02A1D18D	44	02A1C15N	45	02A1D09N	46	02A1D20N	47	02A1D20E	48	02A1C26K
49	02A1D18D	50	02A1C15N	51	02A1D09N	52	02A1D20N	53	02A1D20E	54	02A1C26K
55	02A1D18D	56	02A1C15N	57	02A1D09N	58	02A1D20N	59	02A1D20E	60	02A1C26K

COMMENTS

DATE: 11/15/71 11:00:00 DATE: 11/15/71 11:00:00 DATE: 11/15/71 11:00:00 DATE: 11/15/71 11:00:00

724304
 1775

6726305

MANUAL OPERATION-C.E. CONSOLE

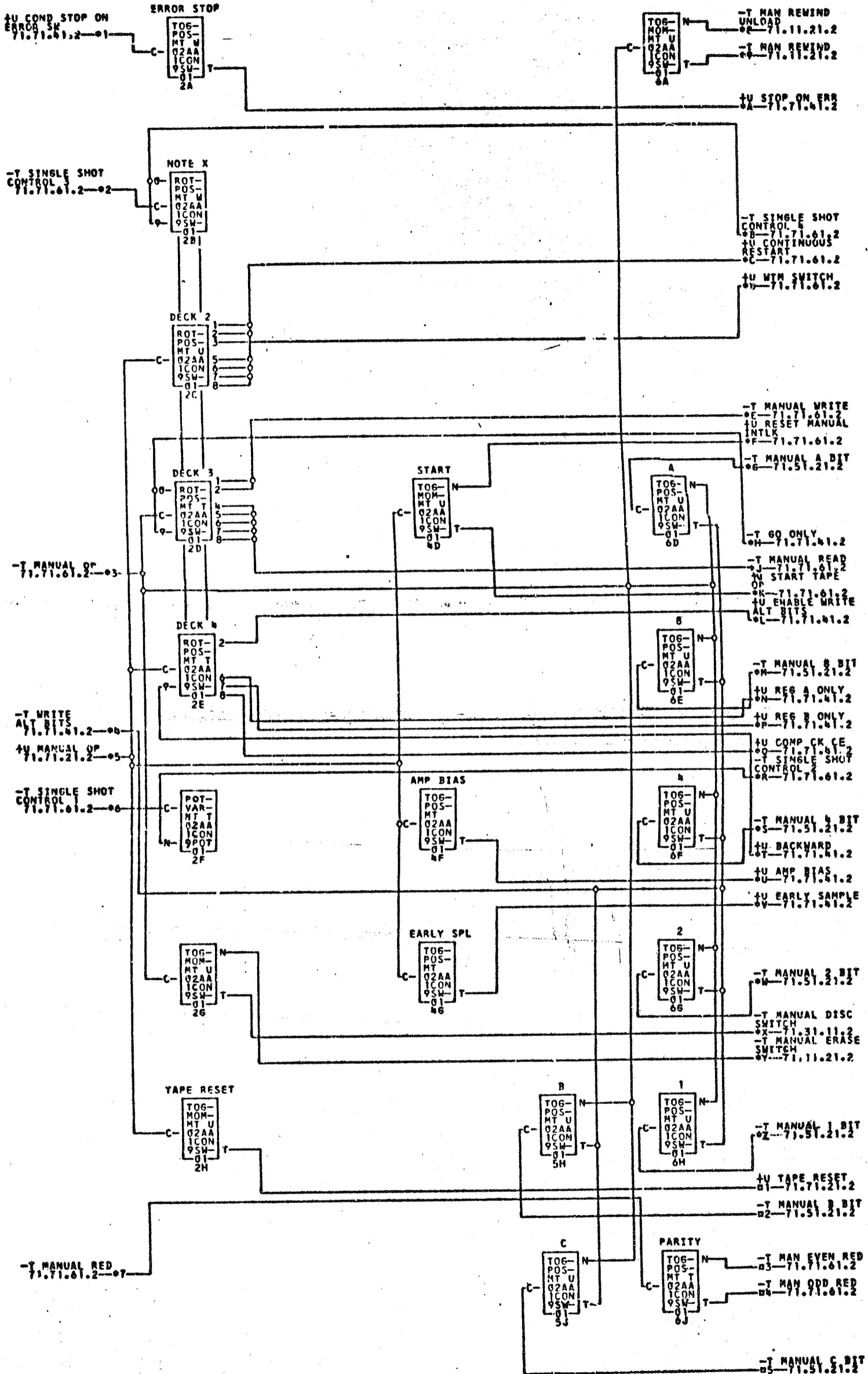
1401 MT

71.71.31.2

TAG DATE

B 22.2.62
TA 1179

C 12.5.63
TA 1775



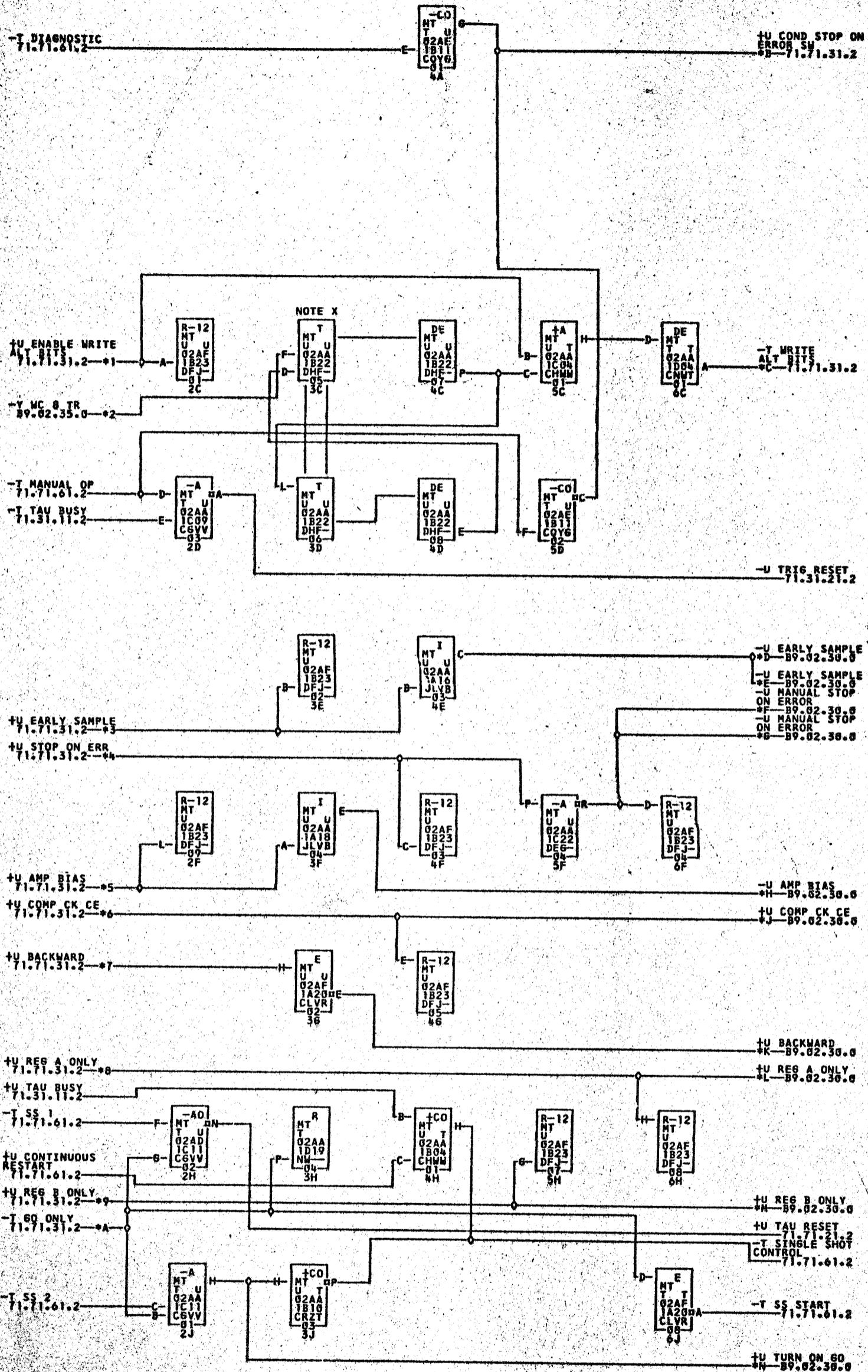
- | | | | | | |
|-------------|-------------|-------------|-------------|-------------|-------------|
| *1-02A1D21D | *2-02A1D21G | *3-02A1D22C | *4-02A1D21E | *5-02A1D22A | *6-02A1D21B |
| *7-02A1D22E | *8-02A1D23L | *9-02A1D23A | *A-02A1D22F | *B-02A1D22F | *C-02A1D22L |
| *D-02A1D22R | *E-02A1D22N | *F-02A1D22P | *R-02A1D23F | *H-02A1D23D | *O-02A1D23P |
| *K-02A1D22Q | *L-02A1D21A | *M-02A1D23G | *N-02A1D23M | *P-02A1D23Q | *Q-02A1D23J |
| *R-02A1D21C | *S-02A1D23H | *T-02A1D22J | *U-02A1D23R | *V-02A1D23S | *W-02A1D23K |
| *X-02A1D22H | *Y-02A1D22G | *Z-02A1D23K | *1-02A1D22R | *2-02A1D23E | *3-02A1D23B |
| *4-02A1D23C | *5-02A1D23D | | | | |

NOTE X-DECK 1 NEAREST PANEL

TAG DATE	E.C.NO.	TAG DATE	E.C.NO.	TAG DATE	E.C.NO.	TAG DATE	E.C.NO.
A 06-12-61	1103202	B 12-06-61	113622	C 12-17-62	110737E		

726305
1775
K

E 12.7.82
TA 1370F
F 12.8.83
TA 1775



- *1-02A1D21A
- *2-02A1A24N
- *3-02A1D21G
- *4-02A1D22F
- *5-02A1D23R
- *6-02A1D23P
- *7-02A1D22J
- *8-02A1D23M
- *9-02A1D23N
- *A-02A1D22D
- *B-02A1D24K
- *C-02A1D21E
- *D-02A1A26G
- *E-02A1B24L
- *F-02A1B26P
- *G-02B2D02P
- *H-02A1A25N
- *I-02A1A25H
- *J-02A1A25H
- *K-02A1B26Q
- *L-02A1A25L
- *M-02B3C02G
- *N-02A1B26A

COMMENTS: NOTE X-TRIGGER NOT CLAMPED TO -6 VOLTS

TAG DATE	F.C. NO.	TAG DATE	F.C. NO.	TAG DATE	F.C. NO.	TAG DATE	F.C. NO.
2 02-12-81	113202	8 02-19-81	113248	09-01-81	113243	12-06-81	113422

724306
1775

0724307

VOLTAGE DISTRIBUTION

1401 HT

71.71.51.2

TAG DATE

U LEVEL SET RES
COMMON
*A-00.00.00.1

A 22.9.61
TA 37699E

-12 VOLTS
00.00.00.1-#1

T LEVEL SET RES
COMMON
*B-00.00.00.1

B 12.3.63
TA 1775

+6 VOLTS
00.00.00.1-#2

GROUND A
*C-00.00.00.1

GROUND A
00.00.00.1-#3

GROUND C
*D-00.00.00.1

GROUND C
00.00.00.1-#4

-12 VOLTS C
*E-00.00.00.1

-12 VOLTS C
00.00.00.1-#5

+12M VOLTS
*F-00.00.00.1

+12 M VOLTS
00.00.00.1-#6

GROUND B
*G-00.00.00.1

GROUND B
00.00.00.1-#7

-12 VOLTS B
*H-00.00.00.1

-12 VOLTS B
00.00.00.1-#8

-12 VOLTS A
*J-71.51.11.2

-12 VOLTS A
00.00.00.1-#9

*1-02A1C19H
*2-02A1C19I
*3-02A1C19J
*4-02A1C19K

*5-02A1C19L
*6-02A1C19M
*7-02A1C19N
*8-02A1C19O

*9-02A1A21J
*10-02A1A21K
*11-02A1C22N
*12-02A1B22K

*13-02A1C21J
*14-02A1D17A
*15-02A1B21N
*16-02A1A20A

*17-02A1C21M
*18-02A1B22N

*19-02A1A21N
*20-02A1D10R
*21-02A1C22N

COMMENTS

TAG DATE E.C.NO. TAG DATE E.C.NO. TAG DATE E.C.NO. TAG DATE E.C.NO.
A 06-12-61 1103202 B 12-17-62 114749E

724307

0724308

MANUAL OPERATION

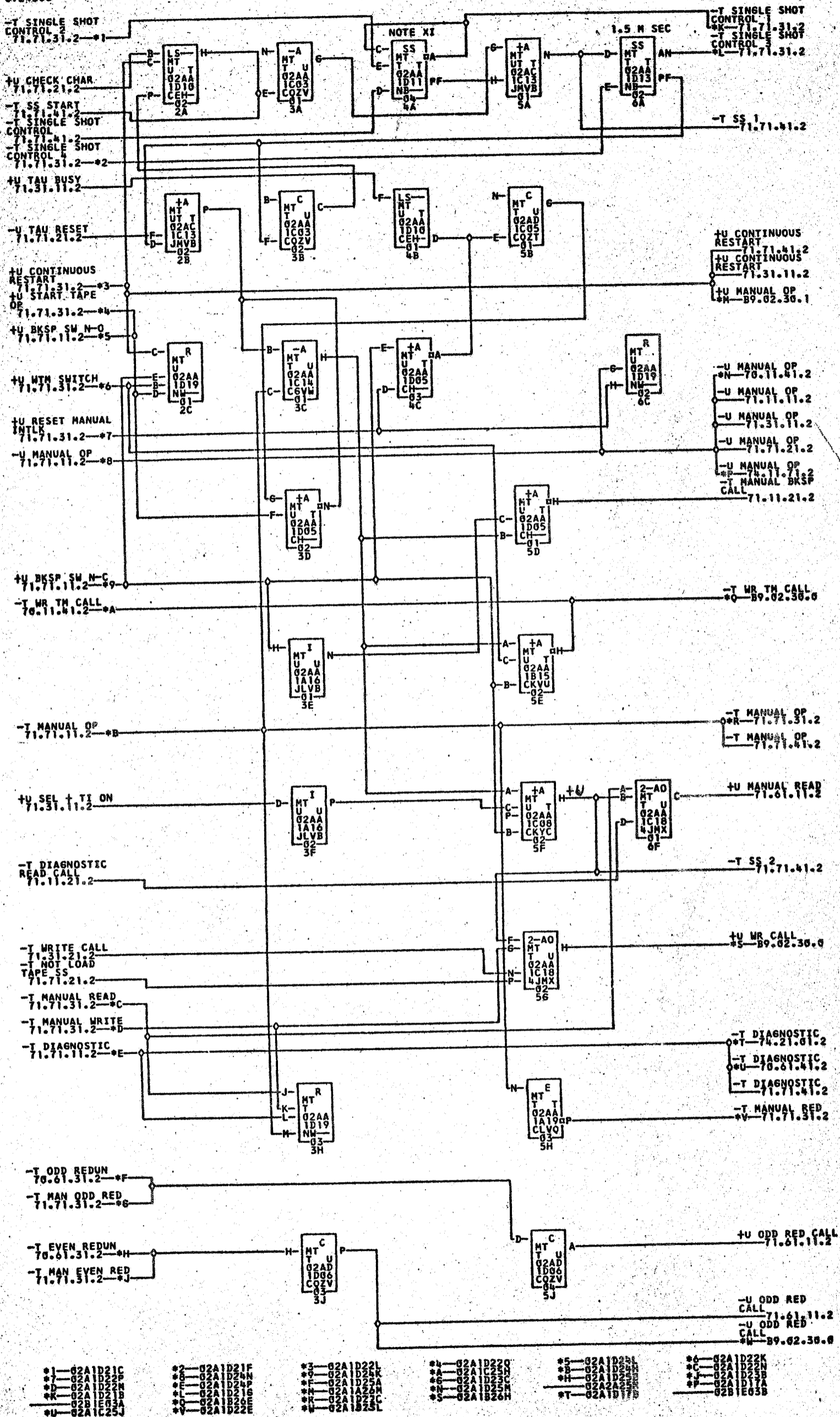
1401 MT

71.71.41.2

TAG DATE

C 22.262
TA 1179

D 12.3.68
TA 1775



- *1-02A1D21C
- *2-02A1D21F
- *3-02A1D22L
- *4-02A1D22G
- *5-02A1D23L
- *6-02A1D22K
- *7-02A1D22P
- *8-02A1D22N
- *9-02A1D22M
- *10-02A1D22H
- *11-02A1D22J
- *12-02A1D22I
- *13-02A1D22E
- *14-02A1D22D
- *15-02A1D22C
- *16-02A1D22B
- *17-02A1D22A
- *18-02A1D22Z
- *19-02A1D22Y
- *20-02A1D22X
- *21-02A1D22W
- *22-02A1D22V
- *23-02A1D22U
- *24-02A1D22T
- *25-02A1D22S
- *26-02A1D22R
- *27-02A1D22Q
- *28-02A1D22O
- *29-02A1D22P
- *30-02A1D22N
- *31-02A1D22M
- *32-02A1D22L
- *33-02A1D22K
- *34-02A1D22J
- *35-02A1D22I
- *36-02A1D22H
- *37-02A1D22G
- *38-02A1D22F
- *39-02A1D22E
- *40-02A1D22D
- *41-02A1D22C
- *42-02A1D22B
- *43-02A1D22A
- *44-02A1D22Z
- *45-02A1D22Y
- *46-02A1D22X
- *47-02A1D22W
- *48-02A1D22V
- *49-02A1D22U
- *50-02A1D22T
- *51-02A1D22S
- *52-02A1D22R
- *53-02A1D22Q
- *54-02A1D22P
- *55-02A1D22O
- *56-02A1D22N
- *57-02A1D22M
- *58-02A1D22L
- *59-02A1D22K
- *60-02A1D22J
- *61-02A1D22I
- *62-02A1D22H
- *63-02A1D22G
- *64-02A1D22F
- *65-02A1D22E
- *66-02A1D22D
- *67-02A1D22C
- *68-02A1D22B
- *69-02A1D22A
- *70-02A1D22Z
- *71-02A1D22Y
- *72-02A1D22X
- *73-02A1D22W
- *74-02A1D22V
- *75-02A1D22U
- *76-02A1D22T
- *77-02A1D22S
- *78-02A1D22R
- *79-02A1D22Q
- *80-02A1D22P
- *81-02A1D22O
- *82-02A1D22N
- *83-02A1D22M
- *84-02A1D22L
- *85-02A1D22K
- *86-02A1D22J
- *87-02A1D22I
- *88-02A1D22H
- *89-02A1D22G
- *90-02A1D22F
- *91-02A1D22E
- *92-02A1D22D
- *93-02A1D22C
- *94-02A1D22B
- *95-02A1D22A
- *96-02A1D22Z
- *97-02A1D22Y
- *98-02A1D22X
- *99-02A1D22W
- *100-02A1D22V

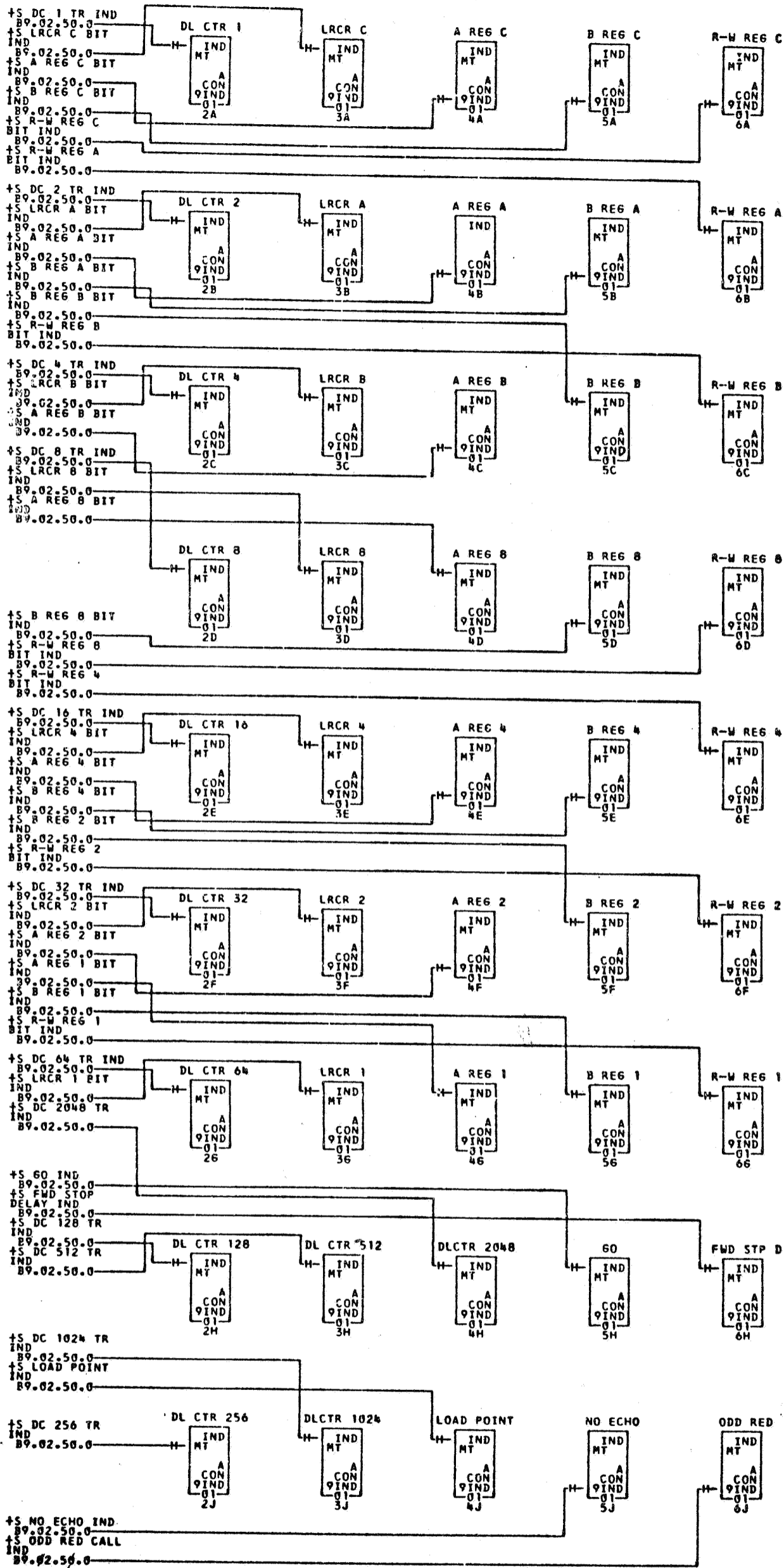
NOTE X-TRIGGER NOT CLAMPED TO -4 VOLTS
 NOTE XI-SS SETTING MAX FOR 10 TO 100 NS VARIATION

724308

1775

TAG DATE	FIG NO	TAG DATE	FIG NO	TAG DATE	FIG NO	TAG DATE	FIG NO
06-12-61	1103202	08-10-61	1103240	12-06-61	115022	12-17-62	1167408

B 17.4.62
TA 1282
C 12.3.63
TA 1775



COMMENTS

TAG DATE	E.C.NO.	TAG DATE	E.C.NO.	TAG DATE	E.C.NO.	TAG DATE	E.C.NO.
A 06-12-61	1103202	B 12-19-61	113535	C 12-17-62	116749E		

0724309

0724310

INDICATORS-TAPE CE CONSOLE

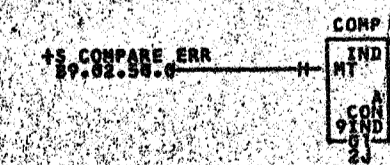
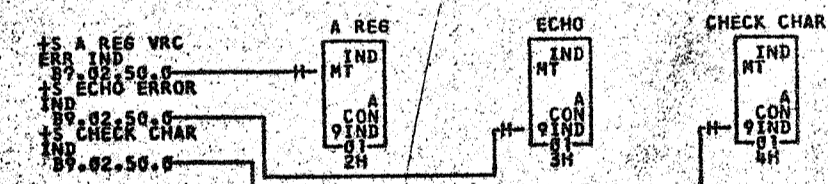
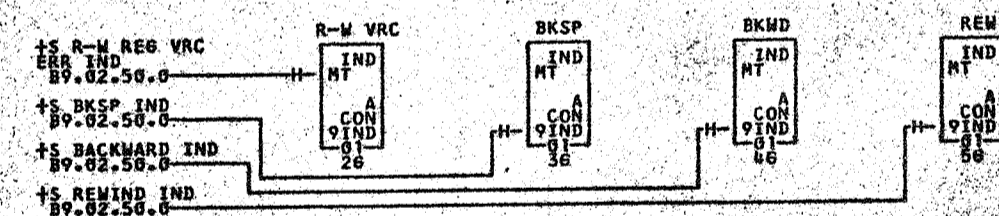
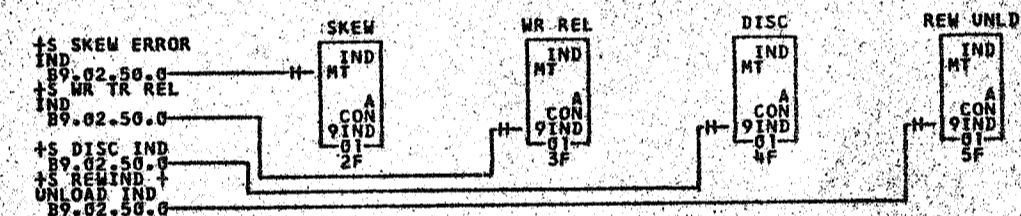
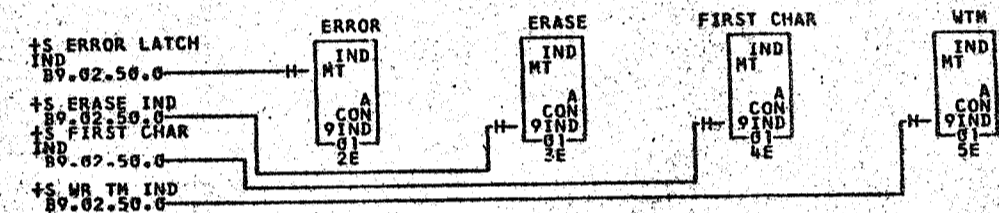
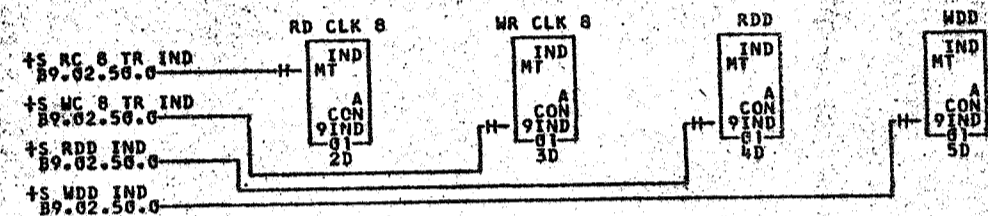
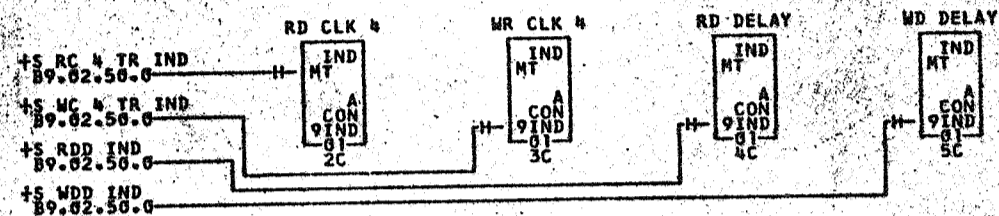
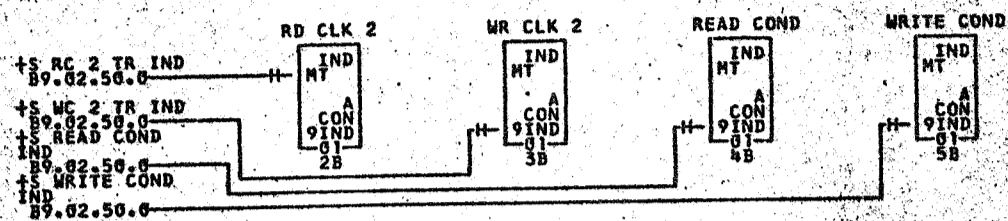
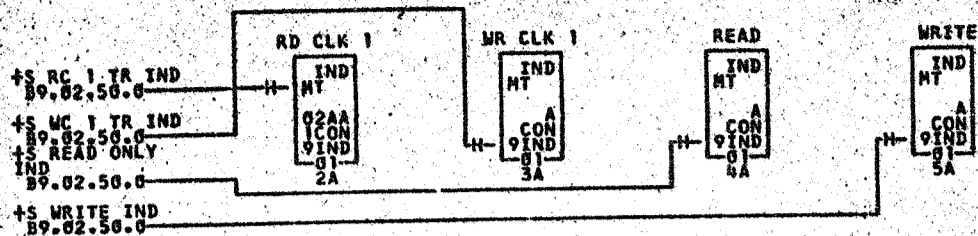
1401 MT

71.01.12.2

TAG DATE

A 22.9.61
TA 37899E

B 12.3.63
TA 1775



COMMENTS

TAG DATE	F.I.C. NO.	TAG DATE	F.I.C. NO.	TAG DATE	F.I.C. NO.	TAG DATE	F.I.C. NO.
A 06-12-61	1183202	B 12-11-62	118709E				

724310

TITLE-1401		LOGIC	PLUG CONN	PLUG CONN	LOGIC	TITLE I-O ATTACHMENT
A	-C*SERVICE REQUEST	73.11.11.2	02TD-113/114			
	-C*I-O SELECTING UNIT	73.11.11.2	02TD-132/133			
	-C*I-O INPUT WM	73.11.21.2	02TD-170/185			
	-C*I-O INPUT 1	73.11.21.2	02TD-172/171			
	-C*I-O INPUT 2	73.11.21.2	02TD-174/173			
	-C*I-O INPUT 4	73.11.21.2	02TD-176/175			
	-C*I-O INPUT 8	73.11.21.2	02TD-178/177			
	-C*I-O INPUT A	73.11.21.2	02TD-180/179			
	-C*I-O INPUT B	73.11.21.2	02TD-182/181			
	-C*I-O INPUT C	73.11.21.2	02TD-184/183			
-C*END OF TRANS	73.11.31.2	02TD-091/092				
-C* SINGLE CHAR TRANS	73.11.31.2	02TD-082/083				
-C PROCESS M I-O	73.11.31.2	02TD-093/094				
-C*I-O TRF 1	73.11.41.2	02TD-086/087				
-C*I-O TRF 2	73.11.41.2	02TD-088/089				
-C*I-O TRF 3	73.11.41.2	02TD-090/100				
-C*I-O TRF 4	73.11.41.2	02TD-097/096				
-C*I-O TRF 5	73.11.51.2	02TD-099/098				
-C*I-O TRF 6	73.11.51.2	02TD-106/107				
-C*I-O TRF 7	73.11.51.2	02TD-108/109				
-C*I-O TRF 8	73.11.51.2	02TD-117/116				
-C*I-O LOAD	73.12.21.2	02TD-168/169				
-C*I-O ERROR LIGHT	73.11.51.2	02TD-134/135				
EMERGENCY OFF SWITCH		02TD-057/058				
+U*NOT*SELECT*I-O*IN	73.11.11.2	02TD-055				
+U*DATA*C*LOAD*OR*MOVE*IN	73.12.11.2	02TD-049				
USED BY 1412,081 & 1009						
C	+U DISC LATCH RESET IN	73.11.51.2	02TD-005			
	+U-A-REG-SEL-1	73.11.11.2	02TD-001			
	+U-A-REG-SEL-2	73.11.11.2	02TD-002			
	+U-A-REG-SEL-3	73.11.11.2	02TD-003			
-T-FORCE-ODD-REDUN	70.61.31.2	02TD-004				
+U-NOT-I-O-READ-CALL	70.11.21.2	02TD-006				
+U SELECT I-O ATTACH IN	73.11.31.2	02TD-022				
-T-RESET-A-REG-ERROR	70.61.21.2	02TD-008				
-T-I-O-TRANS-EOR	73.11.31.2	02TD-012				
+U-I-O-DISC-IN	73.11.51.2	02TD-030				
+U-SELECT-I-IN	73.11.61.2	02TD-029				
+U-SET-WRITE-LATCH-IN	73.11.41.2	02TD-009				
+U-SET-READ-LATCH-IN OR DISC	73.11.41.2	02TD-010				
+U-I-O-ERROR-LAT-IN	73.11.41.2	02TD-011				
+U*START*RESET*IN	73.11.31.2	02TD-038				
+U*SERVICE*REQUEST-IN-1	73.11.71.2	02TD-043				
-T-SELECT*I-O*IN	73.11.11.2	02TD-047				
+U I-O WRITE CALL IN	73.11.11.2	02TD-050				
-C I-O READY	73.12.21.2	02TD-053/052				
USED BY 1412,081 & 1009						
TITLE-1401			OUTPUT LINES			
E	-C*I-O ATT WRITE CALL	73.11.11.2	02TD-121/122			
	-C*I-O ATT READ CALL	73.11.11.2	02TD-123/124			
	-C*SELECT I-O ATTACH	73.11.11.2	02TD-115/125			
	-C*I-O PROCESS CHECK	73.11.31.2	02TD-095/105			
	-C*I-O TIME 000-030	73.11.31.2	02TD-101/102			
	-C*I-O TIME 030-060	73.11.31.2	02TD-103/104			
	-C*1401 RESET	73.11.31.2	02TD-084/085			
	-C-RESET TRANS ERR LAT	73.11.41.2	02TD-110/120			
	-C*I-O UNIT 1 CONTROL	73.11.71.2	02TD-164/165			
	-C*I-O UNIT 2 CONTROL	73.11.71.2	02TD-166/167			
-C*I-O DISC	73.11.51.2	02TD-136/137				
-C*I-O 1 SELECT	73.11.61.2	02TD-142/141				
-C*I-O 2 SELECT	73.11.61.2	02TD-144/143				
-C*I-O 3 SELECT	73.11.61.2	02TD-146/145				
-C*I-O 4 SELECT	73.11.61.2	02TD-148/147				
-C*I-O 5 SELECT	73.11.61.2	02TD-150-149				
-C*I-O 6 SELECT	73.11.61.2	02TD-152/151				
-C*I-O 7 SELECT	73.11.61.2	02TD-154/153				
-C*I-O 8 SELECT	73.11.61.2	02TD-140/155				
-C*I-O 9 SELECT	73.11.61.2	02TD-138/139				
-C*I-O 10 SELECT	73.11.71.2	02TD-156/157				
-C*I-O 11 SELECT	73.11.71.2	02TD-158/159				
-C*I-O 12 SELECT	73.11.71.2	02TD-160/161				
-C*I-O 13 SELECT	73.11.71.2	02TD-162/163				
-C*I-O 14-SELECT	73.11.71.2	02TD-130/131				
-C*SERVICE RESPONSE	73.11.71.2	02TD-119/118				
-C*TIME 090-000	73.12.21.2	02TD-126/127				
-C*TIME 060-090	73.11.71.2	02TD-128/129				
-C*I-O OUTPUT 1	73.12.11.2	02TD-186/187				
-C*I-O OUTPUT 2	73.12.11.2	02TD-188/189				
-C*I-O OUTPUT 4	73.12.11.2	02TD-190/191				
-C*I-O OUTPUT 8	73.12.11.2	02TD-192/193				
-C*I-O OUTPUT A	73.12.11.2	02TD-194/195				
-C*I-O OUTPUT B	73.12.11.2	02TD-196/197				
-C*I-O OUTPUT C	73.12.11.2	02TD-198/199				
-C*1401 IS STOPPED	73.12.21.2	02TD-059/060				
+U-A-REG-NOT-21	35.16.61.2	02TD-016				
+U-A-REG-AB	35.16.81.2	02TD-017				
+U-A-REG-A-NOT-B	35.16.81.2	02TD-018				
+U-A-REG-B-NOT-A	35.16.81.2	02TD-031				
+U-A-REG-2-NOT-1	35.16.51.2	02TD-032				
+U-A-REG-NOT-84	35.16.71.2	02TD-033				
+U-A-REG-4-NOT-8	35.16.71.2	02TD-034				
+U-A-REG-1-NOT-2	35.16.61.2	02TD-035				
-T-FORCE-ODD-RED-1-OUT	73.11.11.2	02TD-019				
-U DISC LATCH RESET OUT	73.11.51.2	02TD-020				
+U-NOT-I-O-READ-CALL-1	73.11.31.2	02TD-021				
+U SELECT I-O ATTACH OUT	73.11.11.2	02TD-007				
-T-RESET-A-REG-ERROR-1	73.11.41.2	02TD-023				
-T-I-O-TRF-1	73.11.41.2	02TD-013				
-T-I-O-TRF-2	73.11.41.2	02TD-027				
+6VOLTS	73.12.11.2	02TD-036				
+U-I-O-DISC-OUT-1	73.11.51.2	02TD-014				
+U-I-O-DISC-OUT-2	73.11.51.2	02TD-015				
+U-SELECT-1-OUT	73.11.61.2	02TD-028				
+U-SET-WRITE-LATCH-OUT	73.11.41.2	02TD-024				
+U-SET-READ-LATCH-OUT	73.11.41.2	02TD-025				
+U-I-O-ERROR-LAT-1-OUT	73.11.41.2	02TD-026				
+U*START*RESET*OUT	73.11.31.2	02TD-039				
+U*NOT*START*RESET*OUT	73.11.31.2	02TD-037				
+U*SERVICE*REQUEST-OUT-1	73.11.11.2	02TD-041				
+U*SERVICE*REQUEST-OUT-2	73.11.11.2	02TD-042				
+U-A-REG-12	35.16.51.2	02TD-044				
+U-A-REG-8-NOT-4	35.16.71.2	02TD-045				
-T-FORCE-ODD-RED-2	73.11.51.2	02TD-048				
-T-SELECT*I-O*OUT	73.11.11.2	02TD-046				
+U I-O WRITE CALL OUT	73.11.11.2	02TD-051				
+U-NOT-SELECT*I-O-OUT	73.11.11.2	02TD-054				
+U*DATA*C*LOAD*OR*MOVE-OUT	73.12.11.2	02TD-056				
-C*I-O-OUTPUT*WM	73.12.11.2	02TD-111/112				
+U*DATA*C*OUT	70.51.21.2	02TD-040				
NOTE						
PLUG CONN	SIGNAL WIRE					
	02TD-121/122					
	REF WIRE					

D 7.2.63
TA 1715A
E 12.11.63
TA 604A

724254

DATE	EC NO	DATE	EC NO	DATE	EC NO
6-27-61	110320V				
7-17-62	116225				
8-3-62	116230				
10-22-62	116728				
9-17-63	118575B				

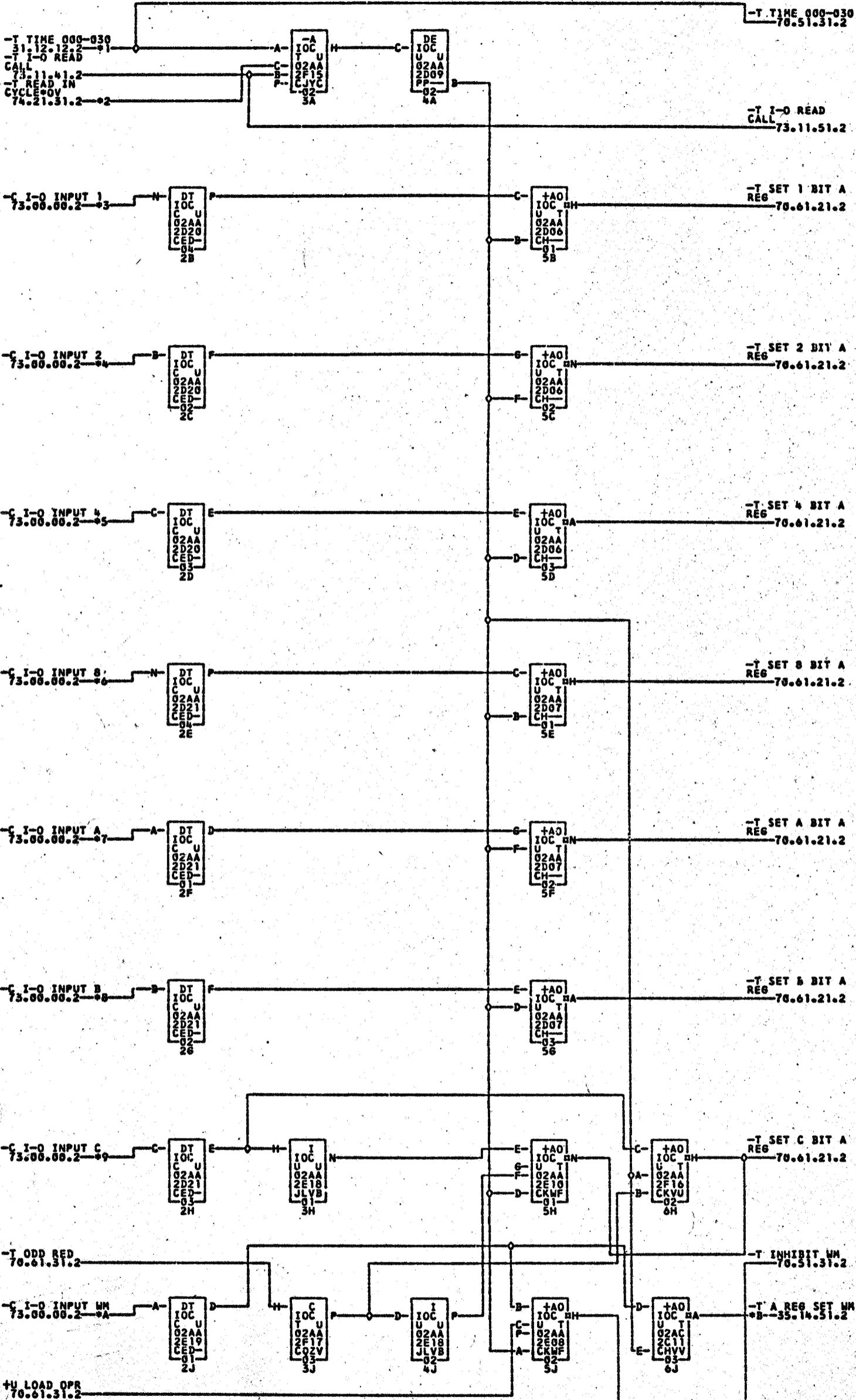
0724256

I-O DATA INPUT

1401 IO

73.11.21.2

TAG DATE



K 28.8.63
 TA 1917A
 L 5.3.64
 TA 704A

- *1-02A2D25E *2-02A2B23B *3-02TD-172 *4-02TD-174 *5-02A2E23C
- *6-02TD-176 *7-02A2B23H *8-02TD-178 *9-02TD-180 *A-02TD-178
- *B-02A2D25F *C-02A2B23M *D-01A3E030 *E-02A2E23C *F-02A2E23J
- *G-02A2E23D *H-02A2E23E *I-02A2E23F *J-02A2E23G *K-02A2E23H
- *L-02A2E23I *M-02A2E23J *N-02A2E23K *O-02A2E23L *P-02A2E23M

COMMENTS

TAG DATE	F.C.NO.	TAG DATE	F.C.NO.	TAG DATE	F.C.NO.	TAG DATE	F.C.NO.
A 06-12-61	115328V	B 09-11-61	116324U	C 10-11-61	117335	D 12-06-61	118322
J 04-04-62	115278	K 10-23-62	116728	G 12-10-62	117498	H 03-14-63	117164
J 04-19-63	117484	K 06-05-63	117953	L 11-23-63	117169		

721258

0724257

I-O SELECT CONTROL

1401 IO

73.11.31.2

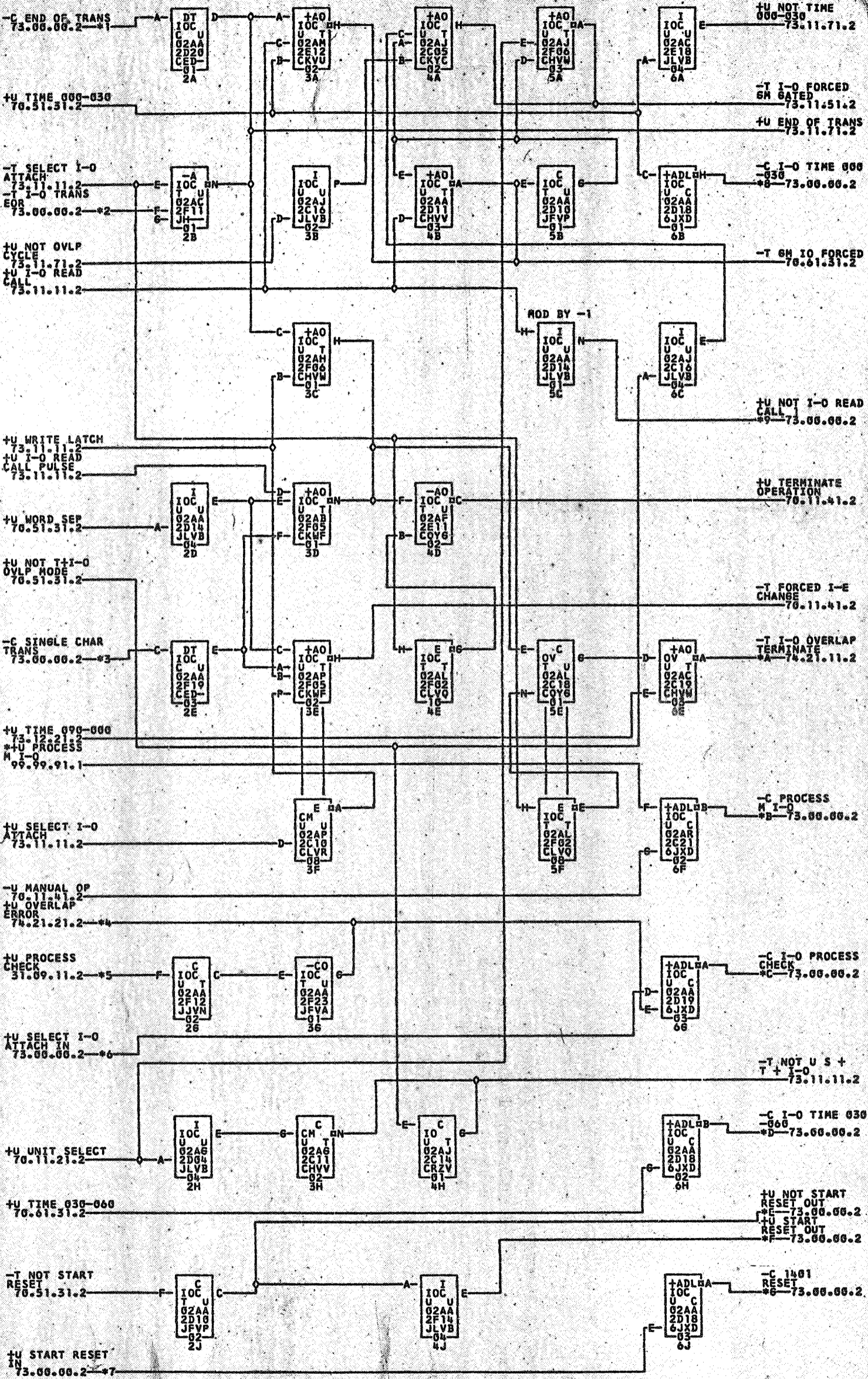
TAG DATE

O 12.11.63

TA 604A

R 5.5.64

TA 704A



- *1-02TD-091 *5-02A2E23B *9-02A2F25C 02TD-012 *3-02TD-082 02A2E24N
- *4-02A2B23F *6-02A2A24L *7-02A2F26L 02TD-022 *7-02TD-038 02A2F25F
- *8-02A2E26L 02TD-101 *9-02A2F26J 02TD-021 *A-02A2B23A 02B1D03A
- *B-02TD-093 02A2E24J *C-02A2E26H 02TD-095 *D-02A2E26H 02TD-103
- *E-02A2F25E 02TD-037 *F-02A2F256 02TD-039 *G-02A2E26K 02TD-084

COMMENTS
SIGNALS PRECEDED BY AN ASTERISK
INDICATE DIRECT CABLE EXPANSION

TAG DATE	E.C.NO.	TAG DATE	E.C.NO.	TAG DATE	E.C.NO.	TAG DATE	E.C.NO.
A 06-12-61	110320V	B 07-10-61	110324K	C 08-11-61	110324N	D 09-01-61	110324S
J 10-11-61	112235V	F 12-06-61	113422K	G 04-04-62	115278	H 07-17-62	116225S
E 08-21-62	116239V	K 10-23-62	116728	L 12-10-62	116749B	M 03-27-63	117238
N 06-05-63	117953	P 08-06-63	118306	O 09-16-63	118575B	R 12-11-63	118582

721257

0724258

I-O BRANCH CONTROL

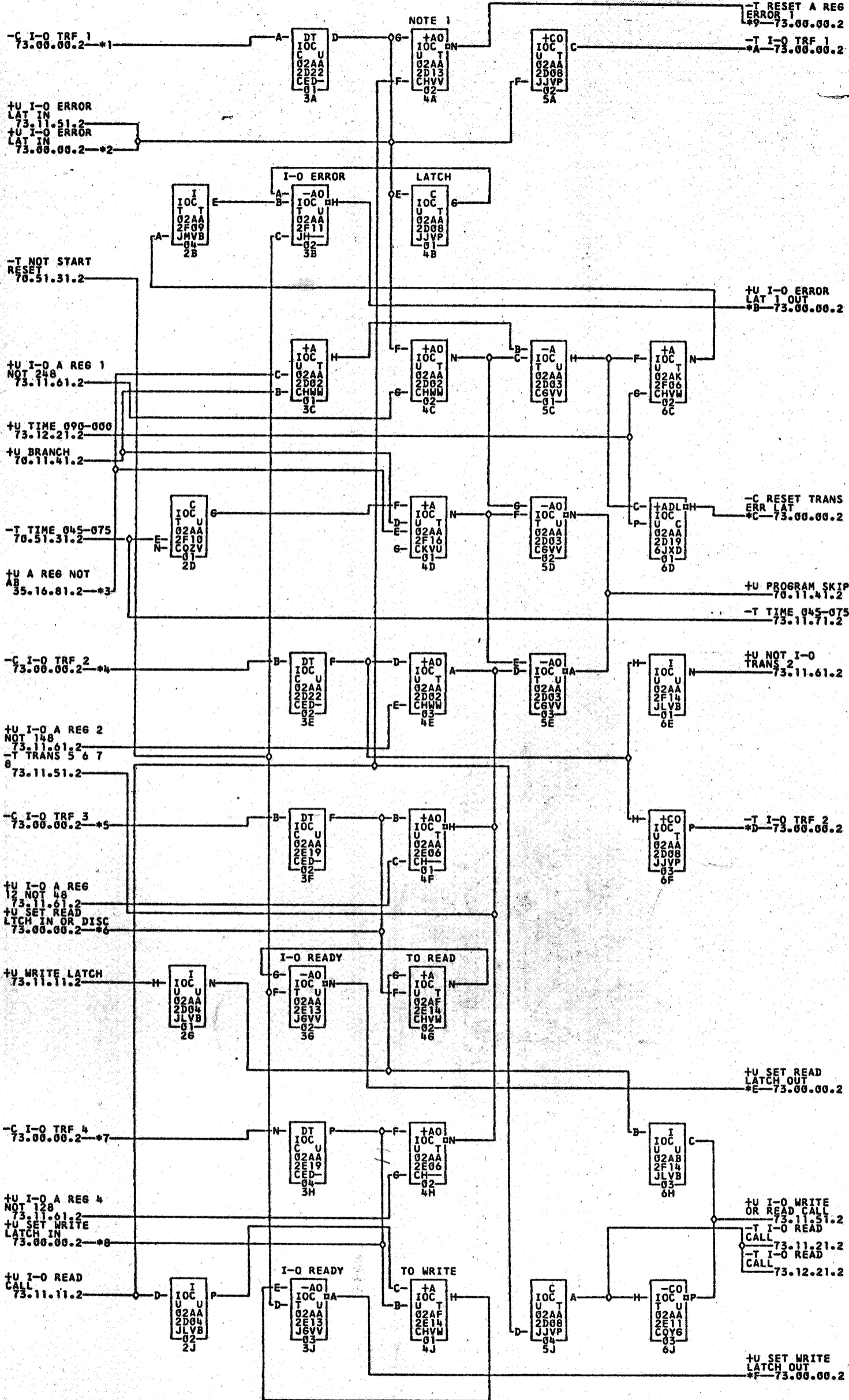
1461 IO

73.11.41.2

TAG DATE

N 12.3.63
TA 1775

N 12.11.63
TA 604A



- *1-02TD-086 *5-02A2E23N *2-02A2F25R *6-02TD-011 *3-02A2C24A *4-02TD-088
- 02A2E23P *8-02A2F25M 02TD-009 *9-02A2F25P 02TD-010 *7-02TD-097
- 02A2E246 *B-02A2F25Q 02TD-009 *C-02A2E266 02TD-023 *A-02A2F25A
- 02TD-013 *E-02A2F25N 02TD-026 *F-02A2F25L 02TD-110 *D-02A2F25B
- 02TD-027

NOTE 1 LOAD FOR THIS CARD SUPPLIED BY TIE DOWN TO A13 WITH NO MAG. TAPE

COMMENTS		TAG DATE	E.C.NO.	TAG DATE	E.C.NO.	TAG DATE	E.C.NO.	TAG DATE	E.C.NO.		
A	06-12-61	110328V	G	07-10-61	110324K	C	08-11-61	110324N	D	09-11-61	110324U
E	09-18-61	110324V	J	12-06-61	113422	G	02-12-62	114239	H	02-22-62	114240
J	04-04-62	115278	K	07-17-62	116225	L	08-21-62	116239	M	11-08-62	116353
N	12-10-62	116749B	P	09-16-63	118575B						

724258

0724259

I-O SELECT CONTROL

1401 IO

73.11.51.2

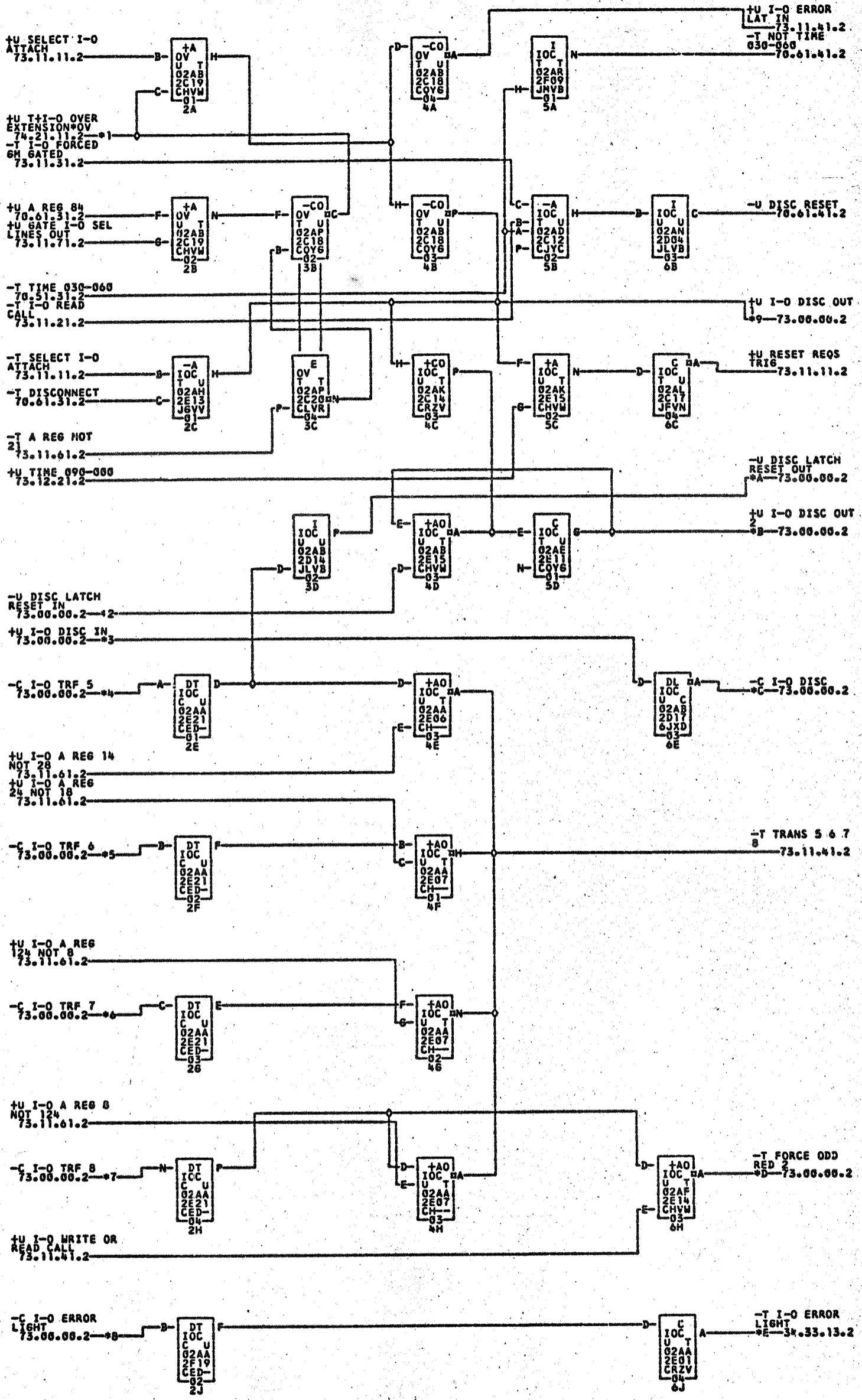
TAG DATE

R 29.10.63

ATA 1990A

S 5.8.64

TA 704A



- *1-02A2B25B *2-02TD-065 02A2F26H *3-02A2F26E 02TD-030 *4-02TD-099
- 02A2E248 *5-02TD-106 02A2E248 *6-02TD-108 02A2E24D *7-02TD-117
- 02TD-028 *8-02TD-134 02A2E248 *9-02A2F24F 02TD-014 *A-02A2F26J
- 02TD-048 *B-02A2F24D 02TD-015 *C-02A2E26D 02TD-136 *D-02A2F24J
- 02TD-048 *E-02A2C23H 02A2F26B *1B1C03H 01B1E02E *1B3D02E

COMMENTS

TAG	DATE	F.C.NO.	TAG	DATE	F.C.NO.	TAG	DATE	F.C.NO.	TAG	DATE	F.C.NO.
A	06-12-61	110320V	F	08-11-61	110324N	C	09-01-61	110329S	D	09-11-61	110324U
E	06-11-61	110323V	F	07-06-62	110322N	G	08-12-62	110325S	H	08-04-62	110327H
I	06-11-61	110324V	F	07-06-62	110323N	L	08-01-62	110326S	M	08-21-62	110329H
S	11-23-62	110325V	F	12-10-62	110326N	Q	08-05-63	110327S	R	08-06-63	110328H

0724260

I-O SELECT CONTROL

1401 10

73.11.61.2

TAG DATE

-T GATE I-O SEL
LINES
73.11.71.2

+U SELECT 1
IN
73.00.00.2

+U A REG NOT 8h
70.11.41.2

+U NOT I-O
TRANS 2
73.11.41.2

+U A REG 2 NOT
70.11.41.2

+U A REG 21
70.11.41.2

+U A REG 1 NOT
2
70.11.21.2

+U GATE I-O
SEL LINES OUT
73.11.71.2

+U A REG 4 NOT
8
70.11.21.2

+U A REG NOT
21
70.11.21.2

+U A REG 8 NOT
8
35.10.71.2

*1-02A2F25K
*2-02TD-150
*3-02TD-150
*4-02TD-150

*5-02A2E25J
*6-02A2E25J
*7-02A2E25J
*8-02A2E25J
*9-02A2E25J

*10-02A2C25E
*11-02TD-150
*12-02TD-150

*13-02A2F25K
*14-02A2E25J
*15-02A2E25J
*16-02A2E25J

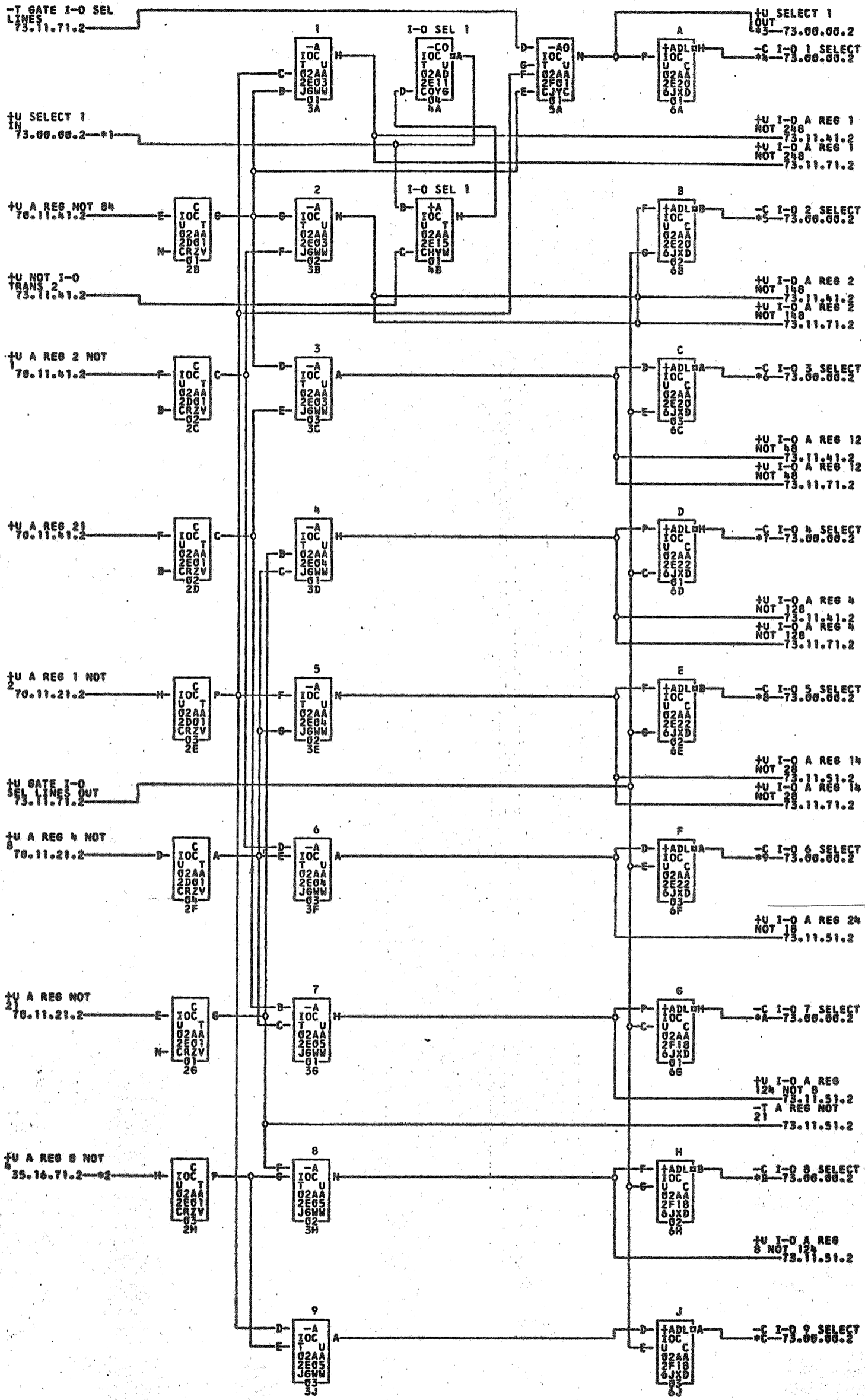
*17-02TD-150
*18-02TD-150
*19-02TD-150

*20-02A2E25J
*21-02A2E25J
*22-02A2E25J

COMMENTS

TAG DATE	F.C. NO.	TAG DATE	F.C. NO.	TAG DATE	F.C. NO.	TAG DATE	F.C. NO.
06-12-61	110329V	07-10-61	110326R	08-11-61	110328N	10-11-61	112235
11-08-62	110335V	12-10-62	110326R	02-07-63	117953		

F12.3.63
TA 1775
G28.8.63
TA 1917A



0729195

STOP I-O ATTACHMENT

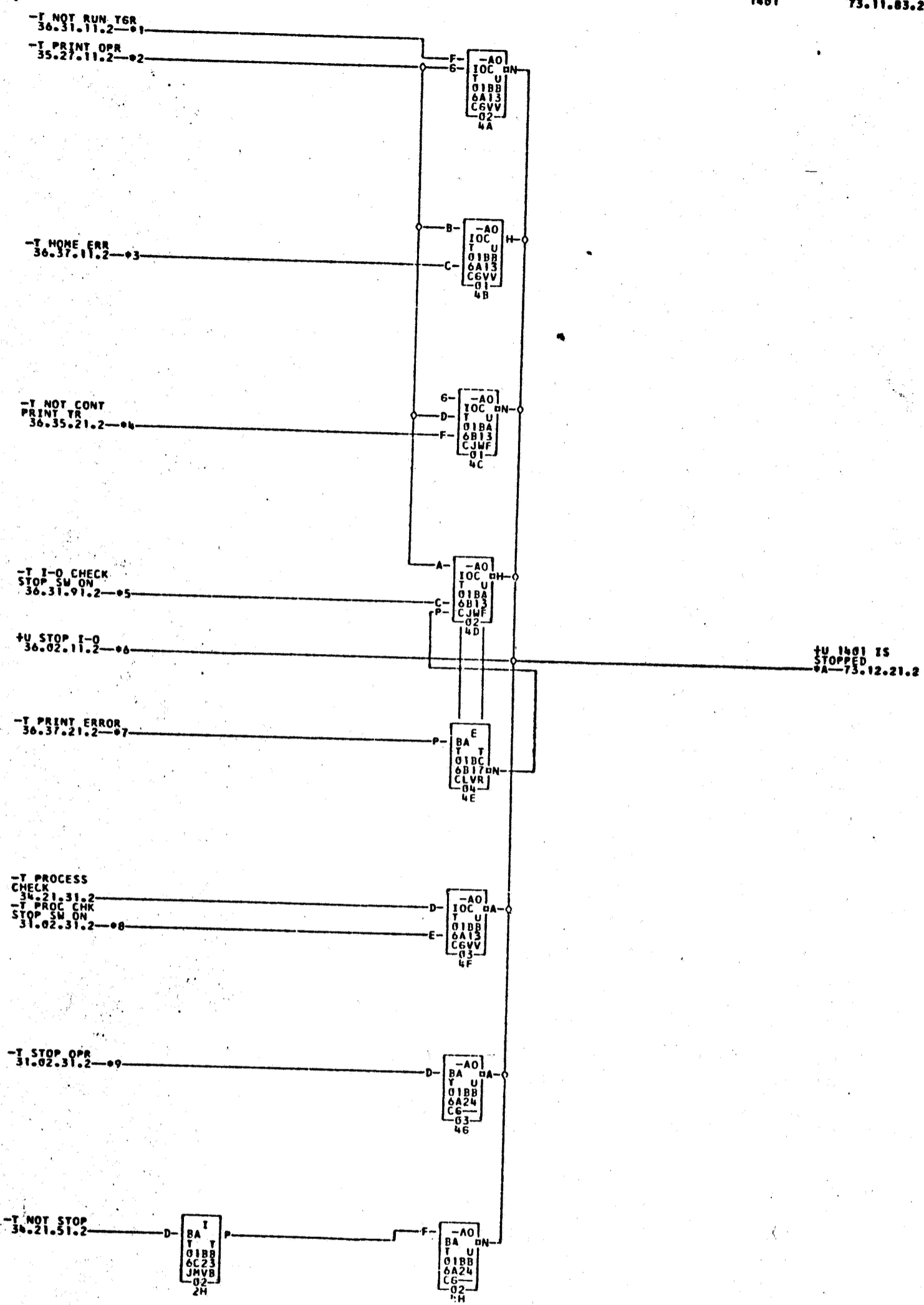
1401

73.11.03.2

TAG DATE

7.2.63
TA 1713A

5.3.63
TA 1771A



NOTE 1

U	T
01BB	0B24
6A24	6RYC
04	4J

- *1-01B6C03E
- *2-01B6C03F
- *3-01B6C036
- *4-01B6C03H
- *5-01B6C03J
- *6-01B6E03M
- *7-01B6C03K
- *8-01B6R01P
- *9-01B6R01C
- *A-01B6B01E
- 02A9F11D
- 02A2D25C
- 01B2E01E
- 01B2B03M

729195

NOTE: 1 RESERVED FOR R+S

COMMENTS

TAG DATE	E.C.NO.	TAG DATE	E.C.NO.	TAG DATE	E.C.NO.	TAG DATE	E.C.NO.
A 12-18-61	113510	B 10-29-62	114164	C 12-11-62	114178		

0724262

I-O WRITE

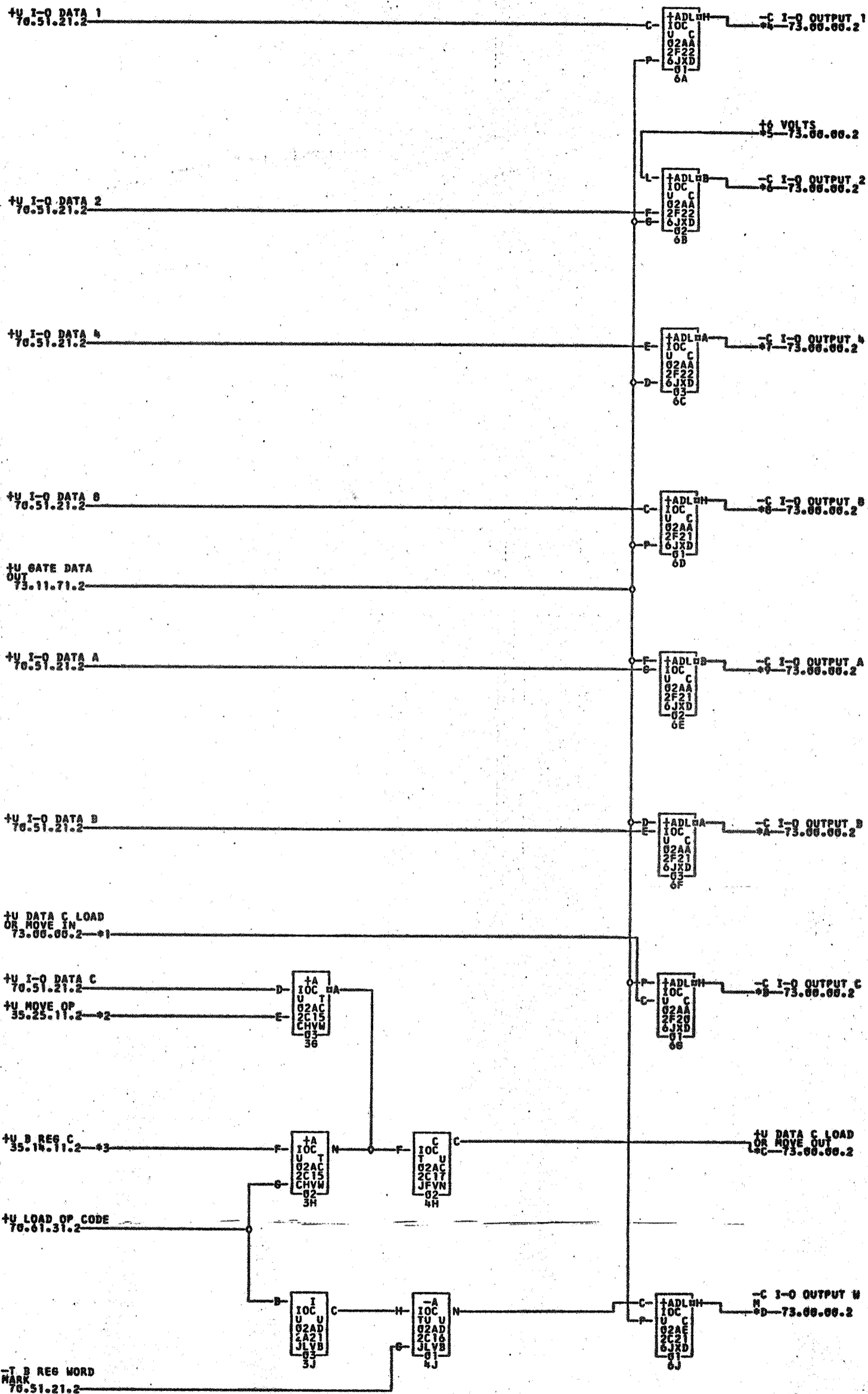
1401 IO

73.12.11.2

TAG DATE

E 12.3.63
TA 1775

F 28.8.63
TA 1917A



- | | | | | | |
|---------------|----------|---------------|---------------|---------------|----------|
| *1 - 02A2E26J | 02TD-049 | *2 - 02A2D25G | *3 - 02A2D25H | *4 - 02A2F24W | 02TD-186 |
| *5 - 02A2F25D | 02TD-036 | *6 - 02A2F24G | 02TD-187 | *7 - 02A2F24H | 02TD-188 |
| *8 - 02A2F24E | 02TD-192 | *9 - 02A2F24D | 02TD-193 | *A - 02A2F24F | 02TD-194 |
| *B - 02A2F24B | 02TD-198 | *C - 02A2F24Q | 02TD-056 | *D - 02A2C22C | 02TD-111 |

COMMENTS

TAG DATE	F.C. NO.	TAG DATE	F.C. NO.	TAG DATE	F.C. NO.	TAG DATE	F.C. NO.
A 09-12-61	110320V	B 07-10-61	110324K	C 08-07-62	116238	D 11-08-62	116353
E 12-10-62	116749B	F 06-05-63	117453				

Handwritten notes: 10, 15, 20, 25, 30, 35, 40, 45, 50, 55, 60, 65, 70, 75, 80, 85, 90, 95, 100, 105, 110, 115, 120, 125, 130, 135, 140, 145, 150, 155, 160, 165, 170, 175, 180, 185, 190, 195, 200.

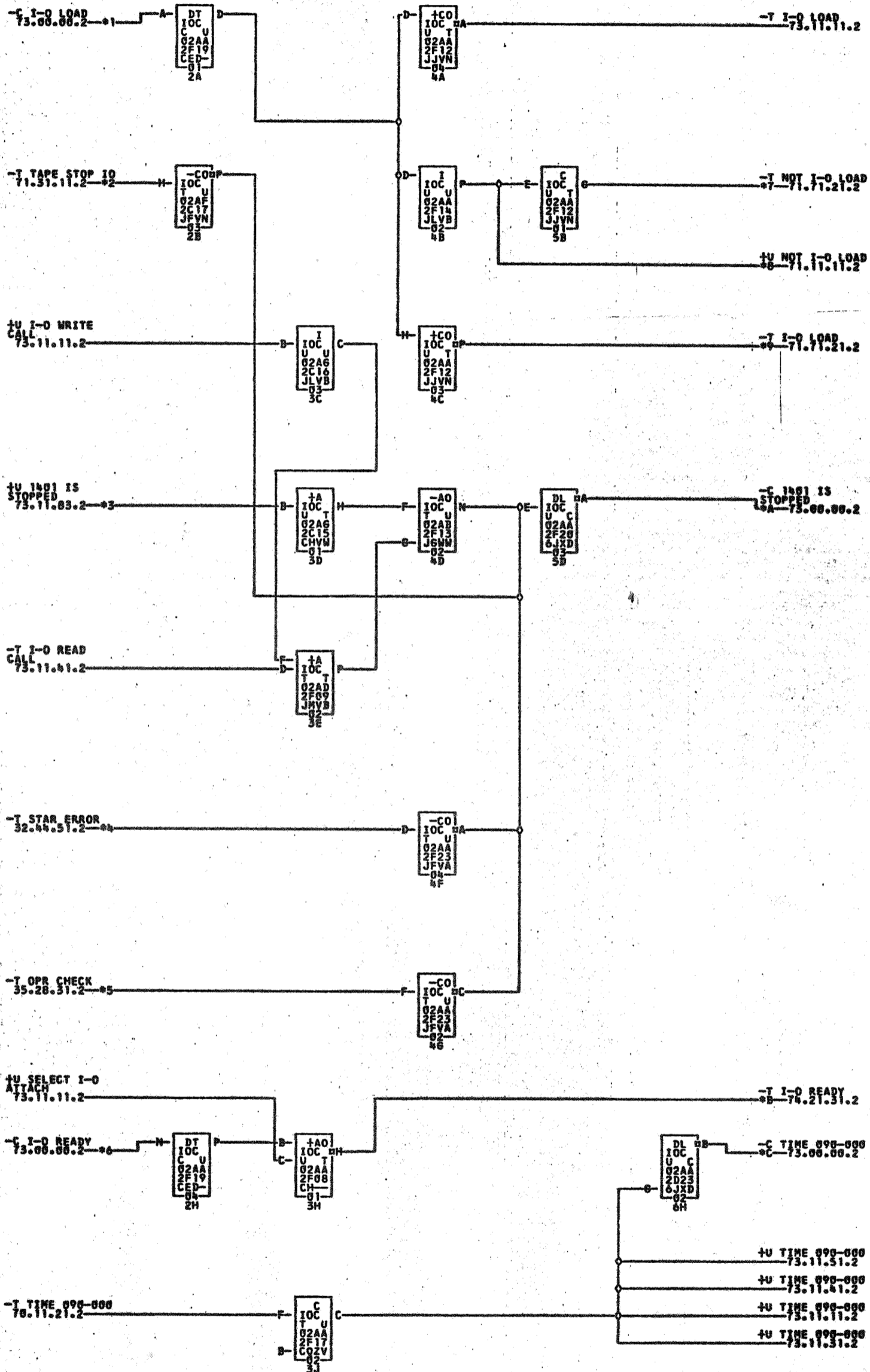
0724263

I-O LOAD AND CONTROL

1401 IO

73.12.21.2

TAG DATE



H 12.3.63
 TA 1775
 J 28.8.63
 TA 1917A

- *1-02TD-168 *2-02A2D266 *3-02A2D25C *4-02A2D25A *5-02A2D25B
- *6-02A2E23K *7-02A2D26E *8-02A2D26B *9-02A2D26D *A-02A2F26L
- 02TD-059 *B-02A2B250 *C-02A2E26P 02TD-126

COMMENTS

TAG DATE	F.C.NO.	TAG DATE	F.C.NO.	TAG DATE	F.C.NO.	TAG DATE	F.C.NO.
A 06-12-61	1183209	B 08-11-61	1183258	C 10-11-61	112335	D 12-06-61	113622
E 08-08-62	115278	F 08-07-62	116238	G 11-08-62	116353	H 12-10-62	116749B
J 06-05-63	117953						

0729259

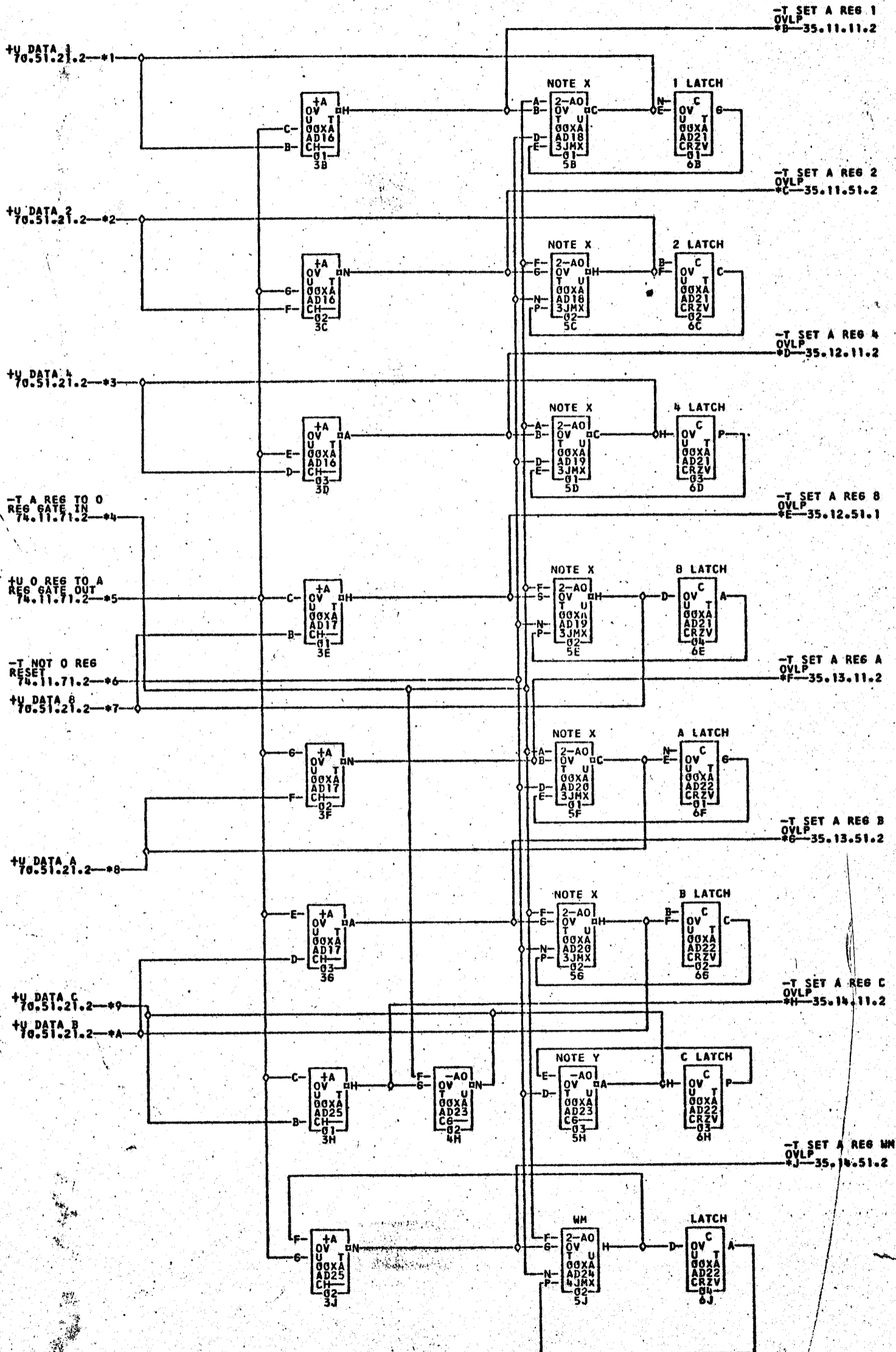
WRITE GATING-O REG. STORE A REG.

1401 OV 74.11.61.2

TAG DATE

B 14.12.62
TA 1678A

C 16.4.63
TA 1815A



- *1-00XAE05R
- *2-00XAE05K
- *3-00XAE05L
- *4-00XAE05M
- *5-00XAE06A
- *6-00XAE06C
- *7-00XAE05H
- *8-00XAE05N
- *9-00XAE05O
- *A-00XAE05P
- *B-00XAE05A
- *C-00XAE05B
- *D-00XAE05C
- *E-00XAE05D
- *F-00XAE05E
- *G-00XAE05F
- *H-00XAE05G
- *I-00XAE05I
- *J-00XAE05H

- *1-00XAE05R
- *2-00XAE05K
- *3-00XAE05L
- *4-00XAE05M
- *5-00XAE06A
- *6-00XAE06C
- *7-00XAE05H
- *8-00XAE05N
- *9-00XAE05O
- *A-00XAE05P
- *B-00XAE05A
- *C-00XAE05B
- *D-00XAE05C
- *E-00XAE05D
- *F-00XAE05E
- *G-00XAE05F
- *H-00XAE05G
- *I-00XAE05I
- *J-00XAE05H

- *1-00XAE05R
- *2-00XAE05K
- *3-00XAE05L
- *4-00XAE05M
- *5-00XAE06A
- *6-00XAE06C
- *7-00XAE05H
- *8-00XAE05N
- *9-00XAE05O
- *A-00XAE05P
- *B-00XAE05A
- *C-00XAE05B
- *D-00XAE05C
- *E-00XAE05D
- *F-00XAE05E
- *G-00XAE05F
- *H-00XAE05G
- *I-00XAE05I
- *J-00XAE05H

- *1-00XAE05R
- *2-00XAE05K
- *3-00XAE05L
- *4-00XAE05M
- *5-00XAE06A
- *6-00XAE06C
- *7-00XAE05H
- *8-00XAE05N
- *9-00XAE05O
- *A-00XAE05P
- *B-00XAE05A
- *C-00XAE05B
- *D-00XAE05C
- *E-00XAE05D
- *F-00XAE05E
- *G-00XAE05F
- *H-00XAE05G
- *I-00XAE05I
- *J-00XAE05H

- *1-00XAE05R
- *2-00XAE05K
- *3-00XAE05L
- *4-00XAE05M
- *5-00XAE06A
- *6-00XAE06C
- *7-00XAE05H
- *8-00XAE05N
- *9-00XAE05O
- *A-00XAE05P
- *B-00XAE05A
- *C-00XAE05B
- *D-00XAE05C
- *E-00XAE05D
- *F-00XAE05E
- *G-00XAE05F
- *H-00XAE05G
- *I-00XAE05I
- *J-00XAE05H

729259

6724755

OVERLAP INDICATORS

1461 OV

74.11.91.2

TAG DATE

-T OVLP PROC
INLK LATCH
74.31.41.2-01
-T CF OPR IO
OVLP
74.31.41.2-02



+U OVLP PROC
INLK LATCH LITE
0D-74.41.21.2
+U CF OPR
LITE
0E-74.41.21.2

-T COL BIN OPR
74.31.41.2-03

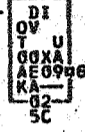


+U COL BIN OPR
LITE
0F-74.41.21.2
+U PER OPR LITE
0G-74.41.21.2

-T PER OPR
74.31.41.2-04

-T K NOT RD-PCH
74.31.41.2-05

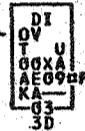
-T LD-ER-IO
INLK
74.31.41.2-06



+U K PERIOD
LITE
0H-74.41.21.2
+U LD-ERASE OV
LITE
0J-74.41.21.2

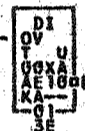
-T R-P ERROR
74.31.41.2-07

-T R-P INLK
74.31.41.2-08



+U RD-PCH ERROR
LITE
0K-74.41.21.2
+U R-P INLK TR
LITE
0L-74.41.21.2

-T TAPE I-O
74.21.21.2-09



+U T-OR I-O
LITE
0M-74.41.21.2

-T RD-RD-PP
74.21.21.2-10

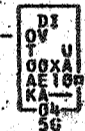


+U RD-RD PCH-
LITE
0N-74.41.21.2

+U DELTA OVLP
LITE
74.31.21.2-11

+U DELTA OVLP
LITE
0P-74.41.21.2

-T PRINT
74.21.21.2-12



+U PRINT INLK
LITE
0Q-74.41.21.2

01-00XAE000
02-00XAE001
03-00XAE002
04-00XAE003

05-00XAE004
06-00XAE005
07-00XAE006
08-00XAE007

09-00XAE008
10-00XAE009
11-00XAE010
12-00XAE011

13-00XAE012
14-00XAE013
15-00XAE014
16-00XAE015

17-00XAE016
18-00XAE017
19-00XAE018
20-00XAE019

21-00XAE020
22-00XAE021
23-00XAE022
24-00XAE023

COMMENTS

TAG DATE FIG190 A 03-21-62 FIG190

TAG DATE FIG190 B 09-04-62 FIG190

TAG DATE FIG190 C 12-13-62 FIG190

TAG DATE S.C.NO.

724755

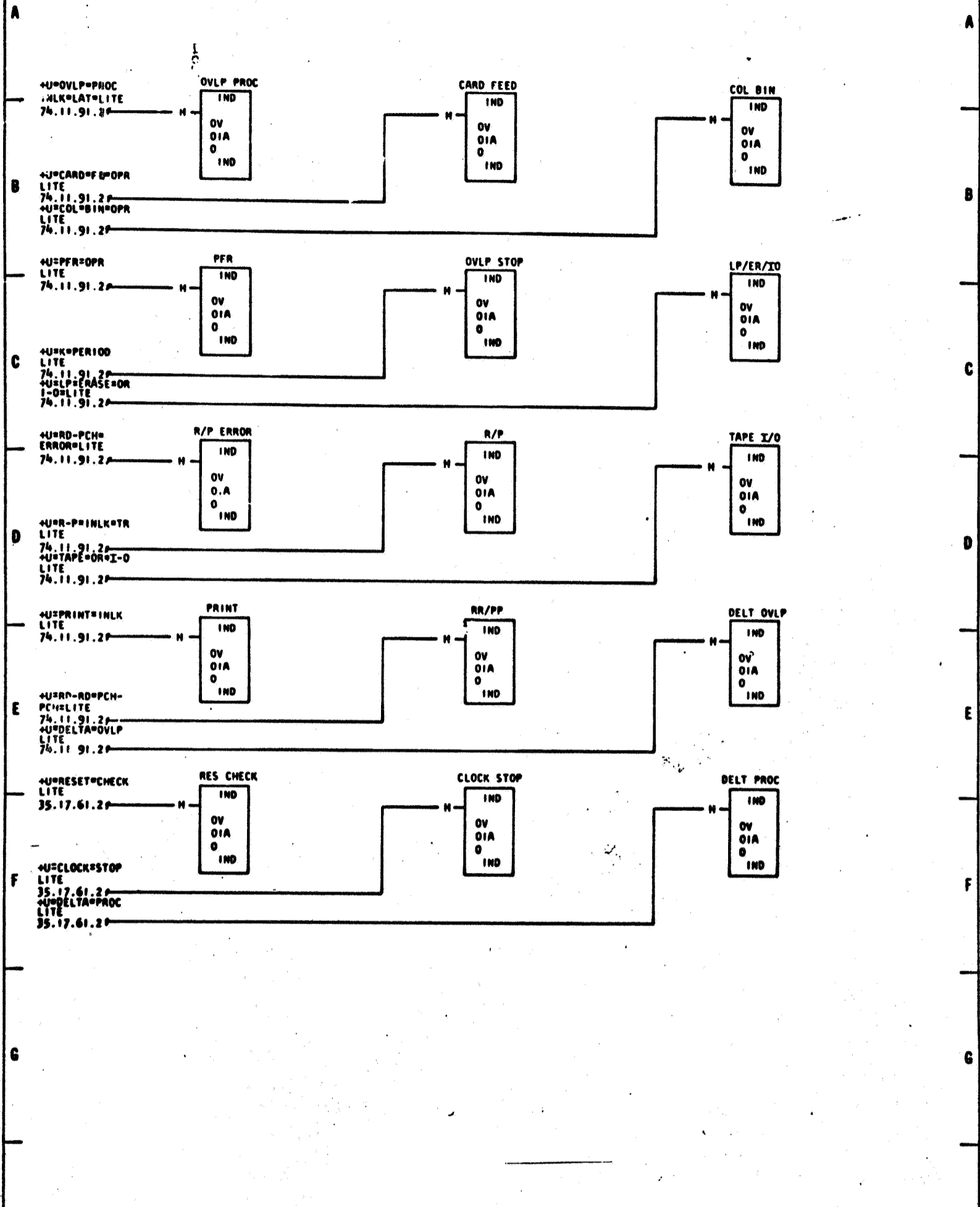
FRAME 01 P/N 724826
 PANEL OVERLAP INDICATOR
 OOXA

TITLE INDICATORS-OVERLAP

MACH 1401 OV
 REF DWG.

LOGIC
 74.41.21.2

TAG DATE
 A 12.7.62
 TA 1370F



NOTES
 1 ALL IND RETURN TO -12V ON 02B2 TB-4
 2 ALL INPUT CONNECTIONS ARE MADE DIRECTLY FROM AN AUX OVLAP IND CAB'E

724826
 1370F

DATE	EC NO	DATE	EC NO	DATE	EC NO
5-31-62	114141				

0723773

PFR OPR DRIVE CF FEATURE NO PFR

INDICFC

74.65.01.2

TAG DATE

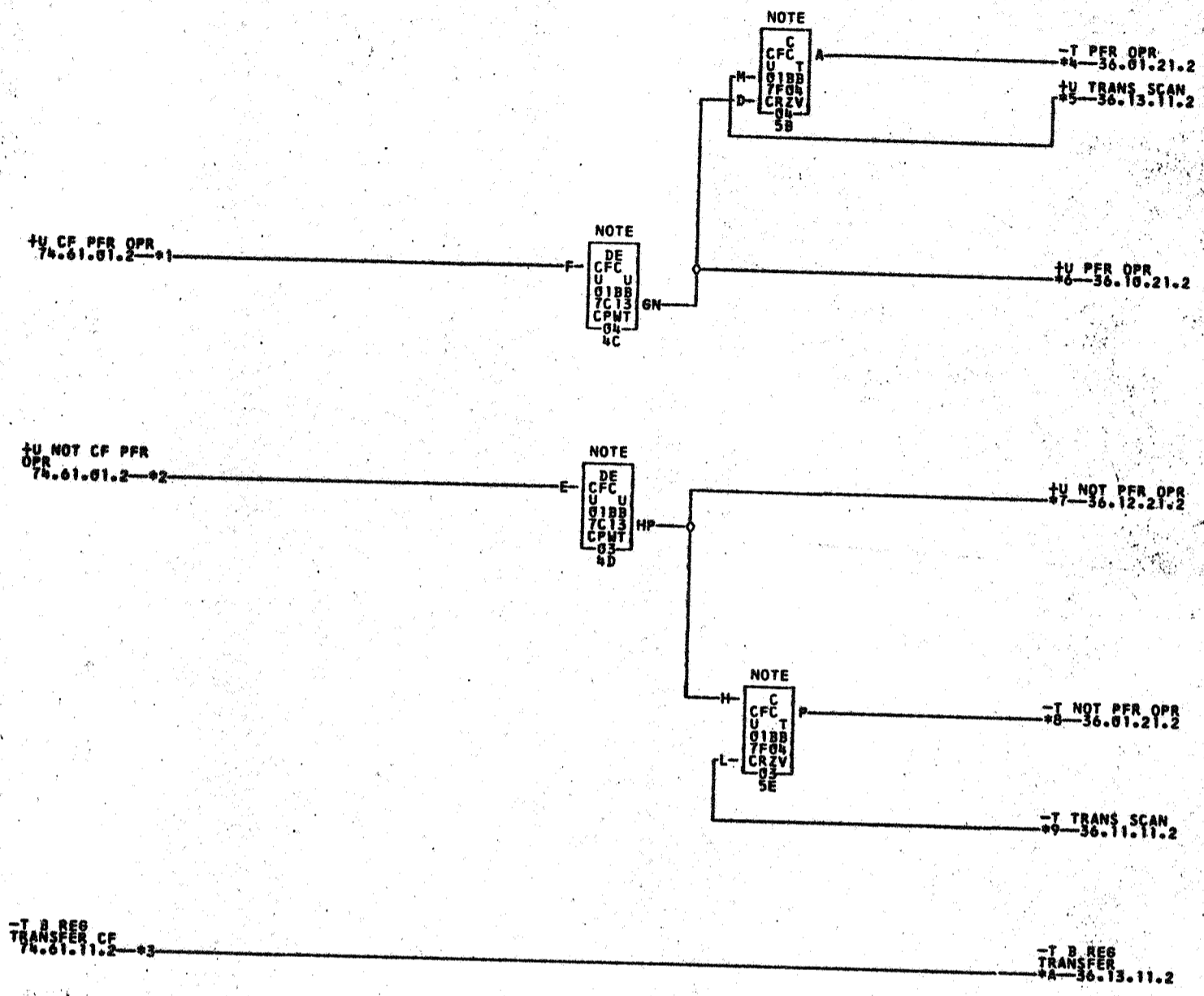
B 5.4.62

TA 1233B

TA 1370F

C 6.63

TA 1859



*1-01B7D01H
 01A0D25D
 01B4F01P
 01B4F01C

*2-01B7D01J
 01A0F26A
 01B7A01E

*3-01B7D01L
 01B4A01A
 01B4C03E

*4-01B7A01D
 *6-01B7E03O
 *9-01B7A01B

01B4C03D
 01B4F01O
 01B4C03B

*5-01B7A02D
 *7-01B7E03P
 *A-01B7E03C

723773

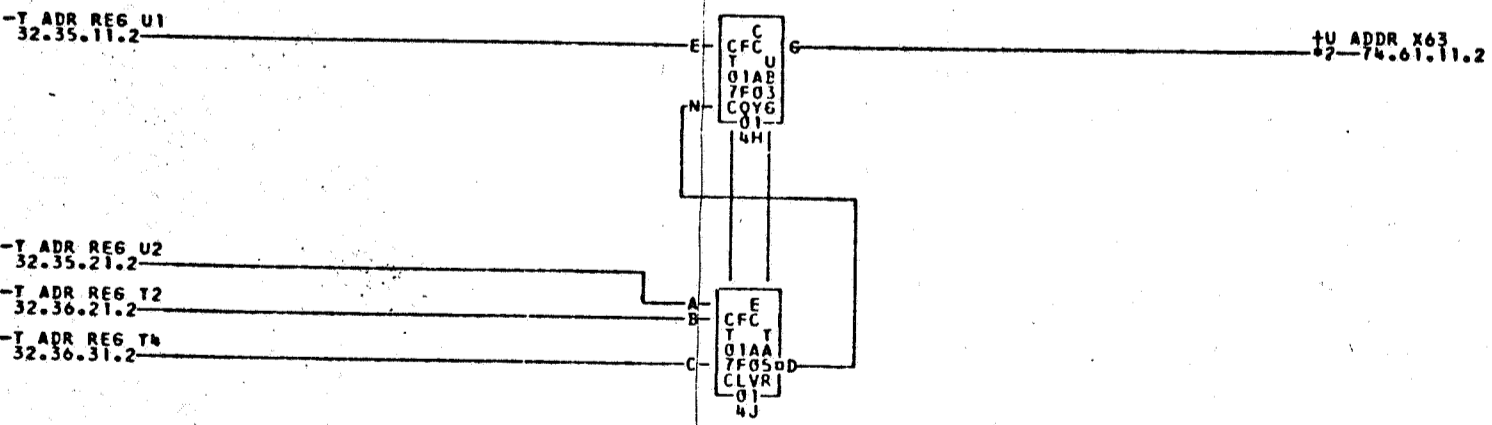
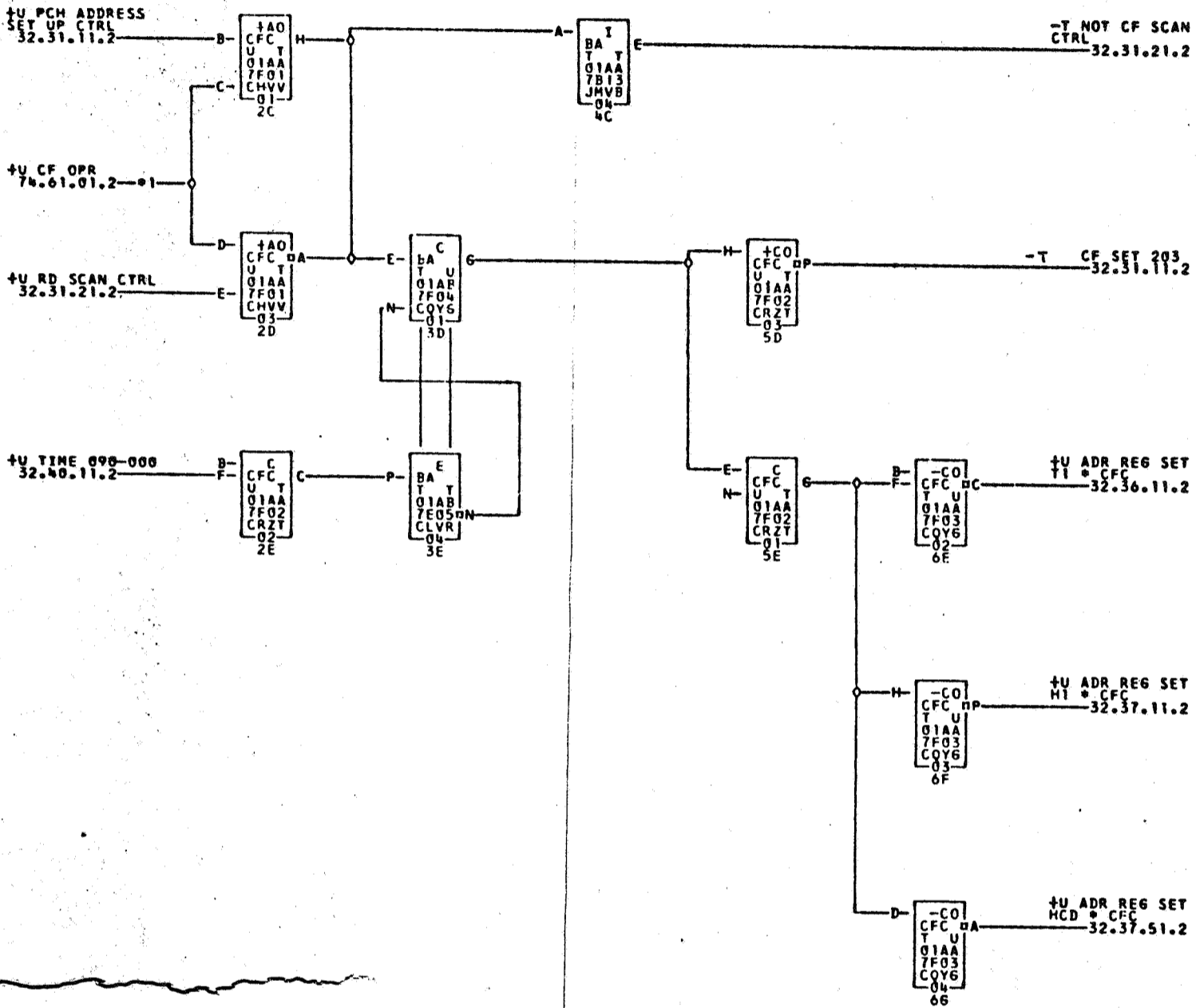
COMMENTS
NOTE THESE CARDS INSTALLED WITH CF FEATURE IF PFR FEATURE IS NOT PRESENT

TAG DATE E.C.NO.
A 12-18-61 113530

TAG DATE E.C.NO.
B 05-03-62 114141

TAG DATE E.C.NO.
C 02-28-63 114184

TAG DATE E.C.NO.



- *1—01A7E24M 02A9A11B
- *2—01A7E25D 0288D03R
- 01A2A10D
- 01A2A19K
- 01B4A03K
- 01B4E04R

COMMENTS

TAG DATE	E.C.NO.	TAG DATE	E.C.NO.	TAG DATE	E.C.NO.	TAG DATE	E.C.NO.
A 12-20-61	1122696	B 12-14-62	116749F				

723774

0731926

FEEDTHRU CPU TO 1311-4

1401LCF

75.01.00.1

TAG DATE

B 16.1.64

TA 604P

-C B REG 1 75.01.01.2	_____	-C B REG 1 75.20.00.1
-C B REG 2 75.01.01.2	_____	-C B REG 2 75.20.00.1
-C B REG 4 75.01.01.2	_____	-C B REG 4 75.20.00.1
-C B REG 8 75.01.01.2	_____	-C B REG 8 75.20.00.1
-C B REG A 75.01.01.2	_____	-C B REG A 75.20.00.1
-C B REG B 75.01.01.2	_____	-C B REG B 75.20.00.1
-C B REG C 75.01.01.2	_____	-C B REG C 75.20.00.1
-C B REG WM 75.01.01.2	_____	-C B REG WM 75.20.00.1

-C WRITE NORMAL 75.01.01.2	_____	-C WRITE NORMAL 75.20.00.1
-C WRITE 75.01.07.2	_____	-C WRITE 75.20.00.1
-C LOAD OPR 75.01.04.2	_____	-C LOAD OPR 75.20.00.1
-C FILE OP 75.01.04.2	_____	-C FILE OP 75.20.00.1

-C B000 75.01.04.2	_____	-C B000 75.20.00.1
-C ADDER CARRY 75.01.03.2	_____	-C ADDER CARRY 75.20.00.1

-C B GREATER THAN A 75.01.02.2	_____	-C B GREATER THAN A 75.20.00.1
-C B LESS THAN A 75.01.02.2	_____	-C B LESS THAN A 75.20.00.1
-C EQUAL CHAR 75.01.03.1	_____	-C EQUAL CHAR 75.20.00.1

+C START RESET 75.01.03.2	_____	+C START RESET 75.20.00.1
-C I CYCLE 75.01.03.2	_____	-C I CYCLE 75.20.00.1
-C DELTA I CYCLE LATCH 75.01.02.2	_____	-C DELTA I CYCLE LATCH 75.20.00.1
-C A CYCLE 75.01.03.2	_____	-C A CYCLE 75.20.00.1
-C DELTA B CYCLE 75.01.03.1	_____	-C DELTA B CYCLE 75.20.00.1
-C B CYCLE 75.01.03.2	_____	-C B CYCLE 75.20.00.1

-C TIME 000-060 75.01.02.2	_____	-C TIME 000-060 75.20.00.1
-C TIME 015-075 75.01.02.2	_____	-C TIME 015-075 75.20.00.1
-C TIME 030-090 75.01.02.2	_____	-C TIME 030-090 75.20.00.1
-C TIME 045-105 75.01.02.2	_____	-C TIME 045-105 75.20.00.1

-C A REG WM 75.01.02.2	_____	-C A REG WM 75.20.00.1
-C GATED WM 75.01.03.2	_____	-C GATED WM 75.20.00.1

-C I RING OP 75.01.03.2	_____	-C I RING OP 75.20.00.1
-C I RING 3 75.01.03.2	_____	-C I RING 3 75.20.00.1
-C I RING 7 75.01.03.2	_____	-C I RING 7 75.20.00.1

-C PROCESS M 75.01.02.2	_____	-C PROCESS M 75.20.00.1
----------------------------	-------	----------------------------

731926
604P

COMMENTS

TAG DATE	E.C.NO.	TAG DATE	E.C.NO.	TAG DATE	E.C.NO.	TAG DATE	E.C.NO.
A 11-17-62	116245A	B 09-17-63	116575A				

0731927

FEEDTHRU CPU FROM 1311-4

1401LCF

75.01.00.2

TAG DATE

A 26.2.63
TA 1740

-C VALIDITY CHK 75.20.00.2	-C VALIDITY CHK 75.01.05.2
-C WRONG LENGTH RECORD 75.20.00.2	-C WRONG LENGTH RECORD 75.01.05.2
-C ANY FILE CHK 75.20.00.2	-C ANY FILE CHK 75.01.05.2
-C NO ADDRESS CMR 75.20.00.2	-C NO ADDRESS CMR 75.01.07.2
-C STORE A REG 75.20.00.2	-C STORE A REG 75.01.05.2
-C A FOR B SUB 75.20.00.2	-C A FOR B SUB 75.01.06.2
-C FILE TRANSFER STAR 75.20.00.2	-C FILE TRANSFER STAR 75.01.07.2
-C TRANSFER B REG 75.20.00.2	-C TRANSFER B REG 75.01.08.2
-C FILE COMPARE GATE 75.20.00.2	-C FILE COMPARE GATE 75.01.05.2
-C SET EQUAL 75.20.00.2	-C SET EQUAL 75.01.06.2
-C UNEQUAL CMR 75.20.00.2	-C UNEQUAL CMR 75.01.07.2
+C FILE ALLOW A REG CHK 75.20.00.2	+C FILE ALLOW A REG CHK 75.01.09.2
-C FILE HI 75.20.00.2	-C FILE HI 75.01.11.2
-C BUSY 75.20.00.2	-C BUSY 75.01.06.2
-C READY 75.20.00.2	-C READY 75.01.06.2
-C FILE ON LINE INTERLOCK 75.20.00.2	-C FILE ON LINE INTERLOCK 75.01.07.2
-C FILE OP +1 MOD 75.20.00.2	-C FILE OP +1 MOD 75.01.04.2
+C CLOCK CONTROL FILE 75.20.00.2	+C CLOCK CONTROL FILE 75.01.05.2
-C IE CHANGE 75.20.00.2	-C IE CHANGE 75.01.05.2
-C HOLD DELTA A 75.20.00.2	-C HOLD DELTA A 75.01.06.2
-C A CYCLE ELIM 75.20.00.2	-C A CYCLE ELIM 75.01.05.2
-C DELTA PROC ON 75.20.00.2	-C DELTA PROC ON 75.01.08.2
-C CHANGE DELTA A TO DELTA 1 75.20.00.2	-C CHANGE DELTA A TO DELTA 1 75.01.08.2
-C SET ADDER CARRY 75.20.00.2	-C SET ADDER CARRY 75.01.05.2
-C RESET ADDER CARRY 75.20.00.2	-C RESET ADDER CARRY 75.01.05.2
-C ARITH DIGIT INH 75.20.00.2	-C ARITH DIGIT INH 75.01.07.2
-C SET A REG 0 75.20.00.2	-C SET A REG 0 75.01.08.2
-C SET A REG 1 75.20.00.2	-C SET A REG 1 75.01.11.2
-C SET A REG 2 75.20.00.2	-C SET A REG 2 75.01.11.2
-C SET A REG 4 75.20.00.2	-C SET A REG 4 75.01.11.2
-C SET A REG 8 75.20.00.2	-C SET A REG 8 75.01.11.2
-C SET A REG A 75.20.00.2	-C SET A REG A 75.01.11.2
-C SET A REG B 75.20.00.2	-C SET A REG B 75.01.11.2
-C SET A REG C 75.20.00.2	-C SET A REG C 75.01.11.2
-C SET A REG WM 75.20.00.2	-C SET A REG WM 75.01.11.2
-C NOT START GATE 75.20.00.2	-C NOT START GATE 75.01.06.2

731927 1740

COMMENTS

TAG DATE	E.C.NO.	TAG DATE	E.C.NO.	TAG DATE	E.C.NO.	TAG DATE	E.C.NO.
A 11-17-62	116243						

0731928

FEEDTHRU SPECIAL NO.1

1401LCF

75.01.00.0

TAG DATE

A 26.2.63
TA 1740

B 22.8.63
TA 1914A

24AC EMERGENCY
OFF INTERLOCK
38.11.21.1
24AC EMERGENCY
OFF INTERLOCK
38.11.21.1

24AC EMERGENCY
OFF INTERLOCK
*3-75.20.00.1
24AC EMERGENCY
OFF INTERLOCK
*4-75.20.00.1

24AC SYST RDY
INTERLOCK
75.20.00.2-+1
24AC SYST RDY
INTERLOCK
75.20.00.2-+2

24AC SYST RDY
INTERLOCK
38.11.21.1
24AC SYST RDY
INTERLOCK
38.11.21.1

*1-02A05AU
*3-0188T831

02B5C180
02B5C280

1311TS23
1311TS08

*2-02A05AU
*4-01A2POS4

02B5C182
02B5C282

1311TS24
1311TS09

COMMENTS

TAG	DATE	E.C.NO.	TAG	DATE	E.C.NO.	TAG	DATE	E.C.NO.	TAG	DATE	E.C.NO.
A	11-17-62	116245A	B	06-05-63	114069						

731928

0731929

FEEDTHRU SPECIAL NO.2

1401LCF

75.01.00.9

TAG DATE

-T TIME 045-105
1311 NOTE1
31.12.31.2-#1

-T TIME 045-105
1311
75.01.02.2

A 26.2.63
TA 1740

-T TIME 015-075
1311 NOTE1
31.12.22.2-#2

-T TIME 015-075
1311
75.01.02.2

B 22.8.63
TA 1914A

-T 1311 ALLOW
RESET DELTA A
75.01.05.2

-T 1311 ALLOW
RESET DELTA A
#B-31.20.11.2

+U FILE ADDER
CARRY ON 1311
75.01.05.2

+U FILE ADDER
CARRY ON 1311
#9-34.31.14.2

-T I RING 3 OR
INDEX 1311 OP
75.01.09.2

-T I RING 3 OR
INDEX 1311 OP
#A-41.50.51.2

+U I-E CONTROL
2 FILE 1311
75.01.10.2

+U I-E CONTROL
2 FILE 1311
#B-31.05.21.2

-T TIME 045-105
1311
31.12.31.2-#3

-T TIME 045-105
1311
75.01.02.2

-T TIME 015-075
1311
31.12.22.2-#4

-T TIME 015-075
1311
75.01.02.2

+U TIME 000-060
1311
31.12.92.2-#5

+U TIME 000-060
1311
75.01.02.2

-T FILE OP 1311
75.01.04.2-#6

-T FILE OP 1311
#6-31.02.31.2

-T A CYCLE
LATCH 1311
31.25.11.2-#7

-T A CYCLE
LATCH 1311
75.01.05.2

*1-02A8F21K
*4-02A8F21L
*7-02A8F21B
*A-02A8F21H

==== 01B3B11A
==== 01B3B076
==== 01B2E06C
==== 02B6B11C

*2-02A8F21L
*5-02A8F21R
*8-02A8F21D
*B-02A8D210

==== 01B3B116
==== 01B3A01B
==== 01B2E24B
==== 01B2A03B

*3-02A8F21K
*6-02A8F21P
*9-02A8D21B

==== 01B3B07F
==== 01B2B02R
==== 01B3A01K

731929

COMMENTS
NOTE1 1401 SR.NO.25000 TO 26409 ONLY

TAG DATE E.C.NO.
A 11-17-62 116245A

TAG DATE E.C.NO.
B 06-05-63 114069

TAG DATE E.C.NO.

TAG DATE E.C.NO.

0731913

CPU DATA CABLE DRIVE

1401LCF

75.01.01.2

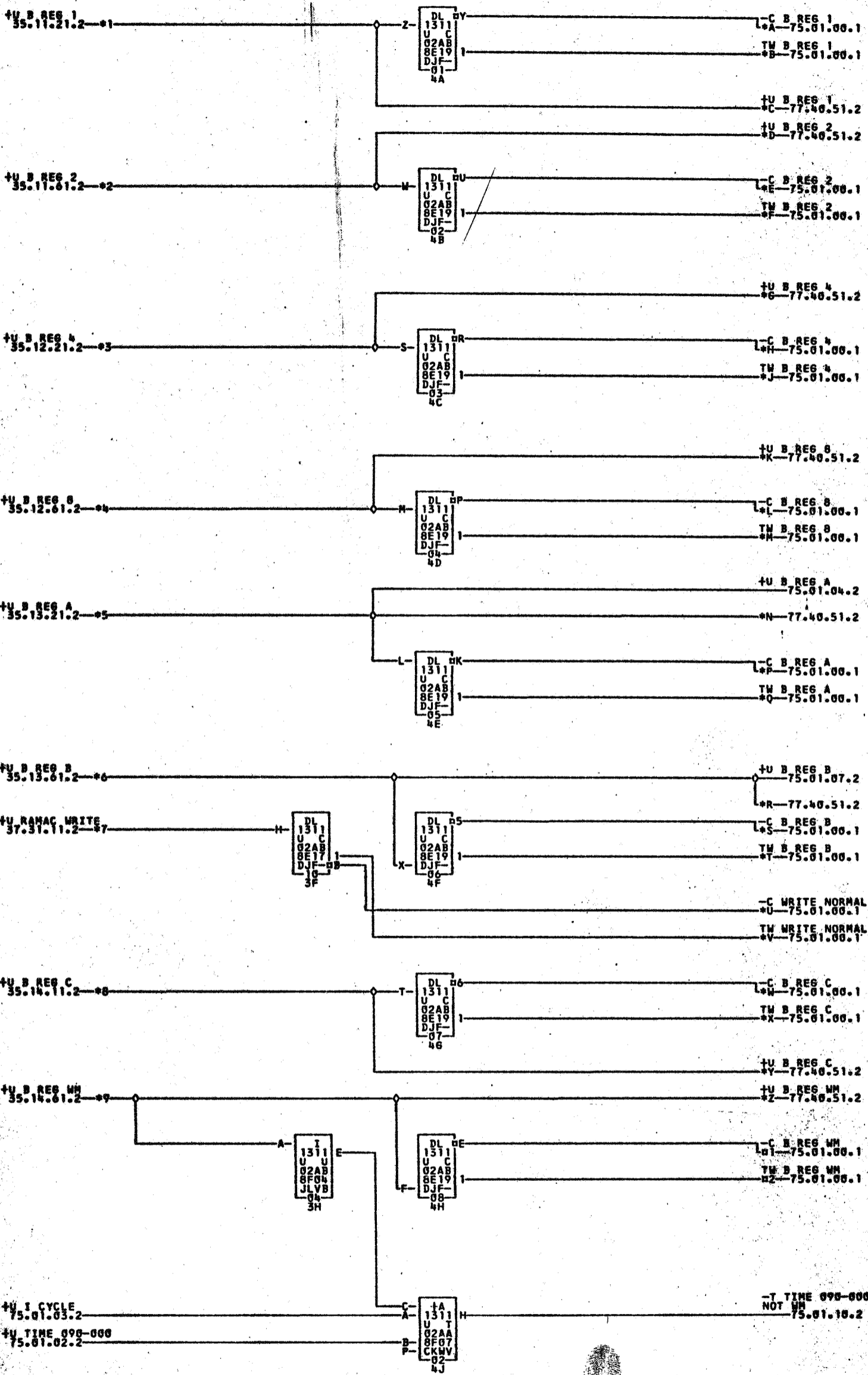
TAG DATE

A 26.2.63

TA 1740

B 21.6.63

TA 1870A



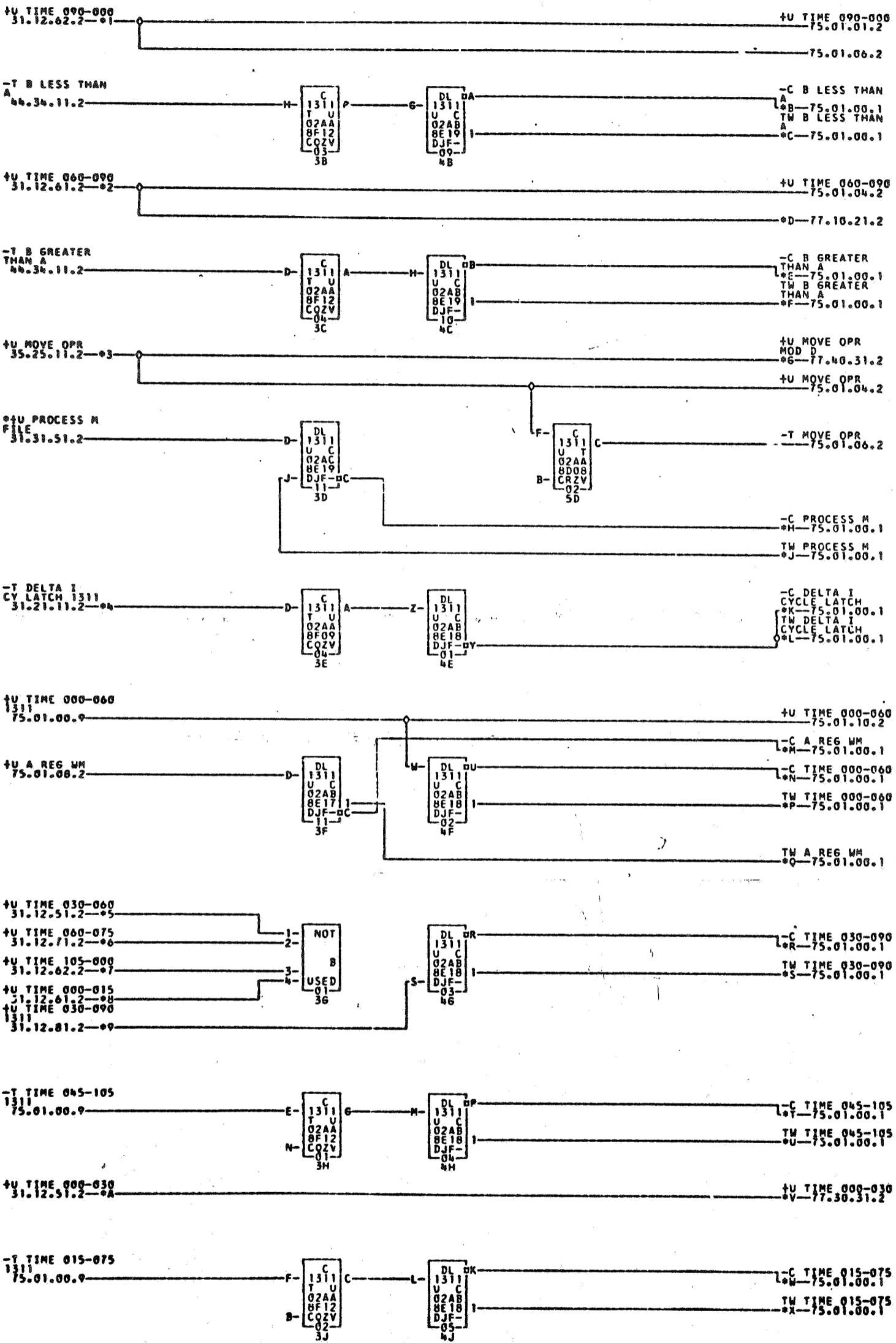
*1-02ABE23A	02AB01F	01A3F24A	*2-02ABE23B	02AB03F	01A3F24B
*3-02ABE23C	02AB05E	01A3F24C	*4-02ABE23D	02AB03G	01A3F24D
*5-02ABE23E	02AB07F	01A3F24E	*6-02ABE23F	02AB03H	01A3F24E
*7-02ABE23F	02AB09A	01A2A16R	*8-02ABE23G	02A9E03D	01A3A26K
*9-02ABE23H	02AB13E	01A3E25C	*A-02ABD26A	02B5C103	13A1XB01
*B-02ABD26B	02B5C107	13A1XB02	*C-02ABD26C	*D-02ABD26H	*E-02ABD26C
*D-02B5C111	13A1XC31	02ABD26D	*E-02B5C114	13A1XC32	*F-02ABD26G
*H-02ABD26E	13A1XC29	02B5C117	*J-02ABD26F	02B5C121	*G-02ABD26J
*K-02ABD26F	02ABD266	02B5C124	13A1XC23	02ABD26H	02B5C127
*L-02ABD26G	02ABD268	*P-02ABD26L	02B5C130	*M-13A1XC22	02B5C129
*M-02B5C134	13A1XC27	*R-02ABD26M	02B5C136	02B5C165	*Q-02ABD26K
*N-02ABD26H	02B5C139	13A1XC26	*S-02ABD26I	02B5C165	13A1XC21
*O-02ABD26J	02B5C170	13A1XC25	*T-02ABD26N	02B5C162	13A1XC08
*P-02ABD26K	02B5C145	13A1XC25	*Y-02ABD26N	02ABD26P	13A1XC20
*Q-02ABD26L	13A1XB03	*2-02ABD26R	02B5C151	13A1XB04	*1-02ABD26Q

COMMENTS

TAG DATE E.C.NO. TAG DATE E.C.NO. TAG DATE E.C.NO. TAG DATE E.C.NO.

A 11-17-62 118245A B 03-01-63 117141

731913



*1-02A8D23G	02A0B19D	01B3E02C	*2-02A8D23E	02A0B17D	01B3C02B
*3-02A8F23A	02A0C09A	01B1A03A	*4-02A8D21E	01B2A01N	*5-02A8D23C
02A0B15D	01B3E02A	*6-02A8C23F	02A0C11F	01B3E02Q	*7-02A8D23J
02A0C07F	01B3E02R	*8-02A8C23B	02A0B11D	01B3E02D	*9-02A8F21J
01B3E02K	*3-02A8D23A	02A0B196	01B3F01R	*B-02A8E26A	02B5C154
13A1XB21	*C-02A8E26B	02B5C157	13A1XB2A	*D-02A8C24B	01B8A00Z
*E-02A8E26C	02B5C160	13A1XC07	*J-02A8E26D	02B5C164	13A1XC12
*G-02A8C24E	*H-02A8E26E	02B5C167	02B5C172	02B5C172	*K-02A8E266
02B5C175	13A1XB09	02A8I26H	13A1XB14	13A1XB29	*M-02A8D22Q
02B5C246	13A1XB30	*N-02A8I26J	02B5C178	13A1XA13	*P-02A8E26K
02B5C105	13A1XB30	02B5C249	02B5C102	13A1XA13	*R-02A8E26L
02B5C110	13A1XB31	*O-02A8I26M	02B5C249	13A1XB32	*T-02A8C24M
02B5C116	13A1XA01	*U-02A8E26P	02B5C113	13A1XA02	*V-02A8C24N
01B8A01D	*M-02A8E26Q	02B5C123	02B5C120	13A1XA02	02B5C126
13A1XA04			13A1XA03	*X-02A8E26R	

COMMENTS
 SIGNALS PRECEDED BY AN ASTERISK
 INDICATE DIRECT CABLE EXPANSION.

TAG DATE E.C.NO. TAG DATE E.C.NO. TAG DATE E.C.NO. TAG DATE E.C.NO.
 A 11-17-62 116245A B 03-01-63 117141 C 09-17-63 118575A

731914

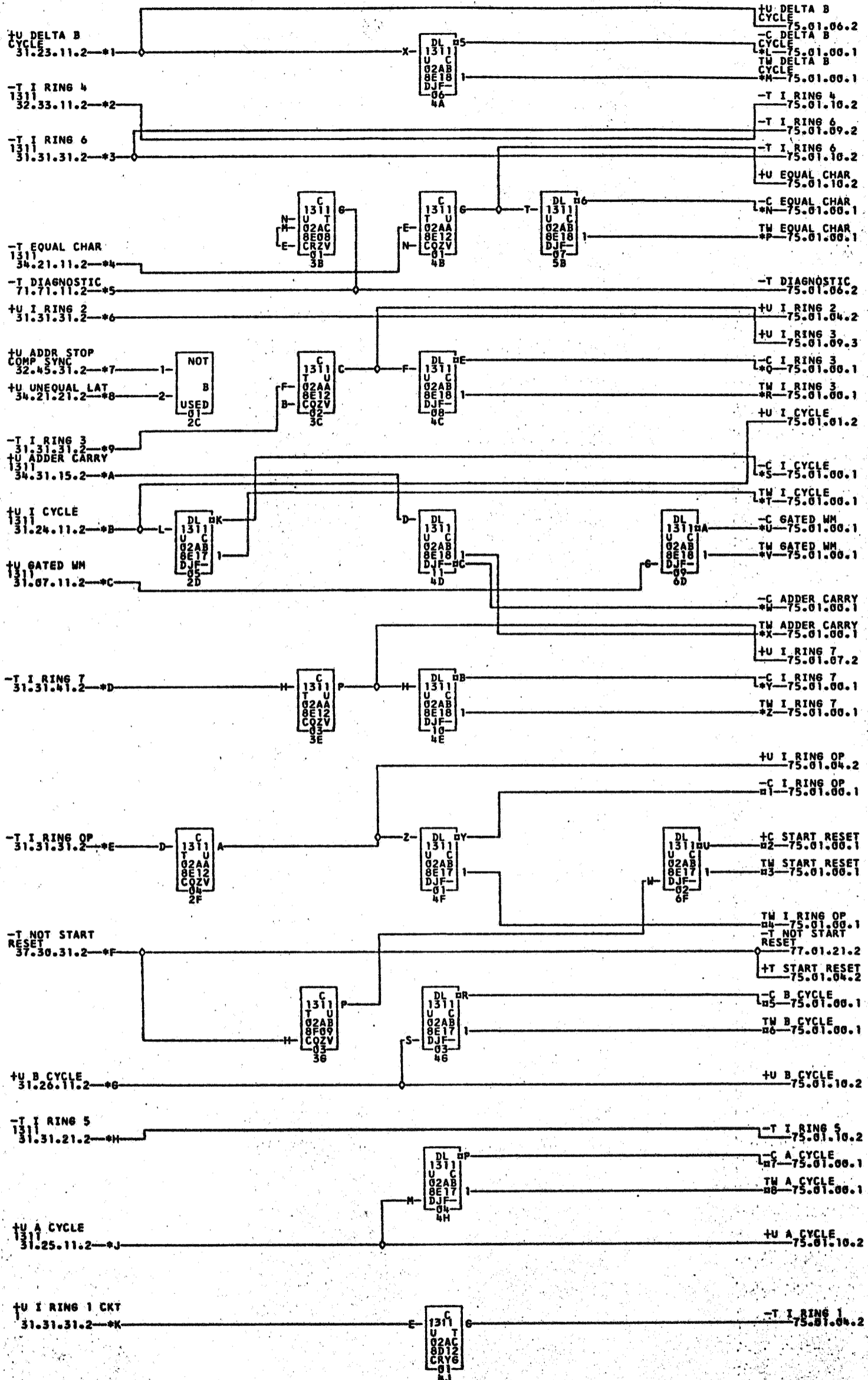
0731915

CONTROL SIGNALS CABLE DRIVE

1401LCF

75.01.03.2
SHEET 1 OF 2

TAG DATE



A 26.2.63
TA 1740
C 21.6.63
TA 1870A

COMMENTS

TAG DATE	E.C.NO.	TAG DATE	E.C.NO.	TAG DATE	E.C.NO.	TAG DATE	E.C.NO.
A 11-17-62	116245A	B 03-01-63	117181	C 03-26-63	117233		

731915

0731915

CONTROL SIGNALS CABLE DRIVE

1401LCP

75.01.03.2
SHEET 2 OF 2

TAG DATE

*1	02A8F23D	02AJD01J	01B2B036
*2	02A8F21A	01B2E016	
*3	02A8D216	01B2A01F	
*4	02A8F218	01B6B05H	01A2A24E
*5	02A8F24N	02A9J01P	01B2C01M
*6	02A8F23L	02A0J01M	
*7	02A8E23O		
*8	02A8F23P	02A9F01R	
*9	02A8F23M	02A0F01D	01B2A01D
*A	02A8D21J	01B3C046	
*B	02A8D21D	01B2C02H	
*C	02A8D21M	01B2B03A	
*D	02A8F23N	02A0F02P	01B2A02P
*E	02A8F23J	02A0F01A	01B2A01A
*F	02A8F23E	02A0E026	01A2A146
*G	02A8F23C	02A0D01K	01B2B03K
*H	02A8D21F	01B2A01E	
*J	02A8D21C	01B2A01K	
*K	02A8F23K	02A0J01N	01B2C01N
*L	02A8F26A	02B5C129	13A1XB16
*M	02A8F26B	02B5C132	13A1XB18
*N	02A8F26C	02B5C135	13A1XC06
*P	02A8F26D	02B5C138	13A1XC11
*Q	02A8F26E	02B5C141	13A1XB20
*R	02A8F26F	02B5C144	13A1XB25
*S	02A8D25E	02B5C115	13A1XB08
*T	02A8D25F	02B5C118	13A1XB13
*U	02A8F266	02B5C147	13A1XC19
*V	02A8F26H	02B5C150	13A1XC24
*W	02A8F26L	02B5C159	13A1XC15
*X	02A8F26M	02B5C163	13A1XC17
*Y	02A8F26J	02B5C153	13A1XC23
*Z	02A8F26K	02B5C156	13A1XB28
B1	02A8F26N	02B5C166	13A1XB19
B2	02A8F26O	02B5C174	13A1XB06
B3	02A8F26R	02B5C177	13A1XB11
B4	02A8F26P	02B5C171	13A1XB24
B5	02A8D25A	02B5C101	13A1XB07
B6	02A8D25B	02B5C104	13A1XB12
B7	02A8D25C	02B5C108	13A1XB22
B8	02A8D25D	02B5C112	13A1XB27

A 26.2.63
TA 1740
C 21.6.63
TA 1870A

COMMENTS

TAG DATE	E.C.NO.	TAG DATE	E.C.NO.	TAG DATE	E.C.NO.	TAG DATE	E.C.NO.
A 11-17-62	116245A	B 03-01-63	117141	C 03-26-63	117233		

731915

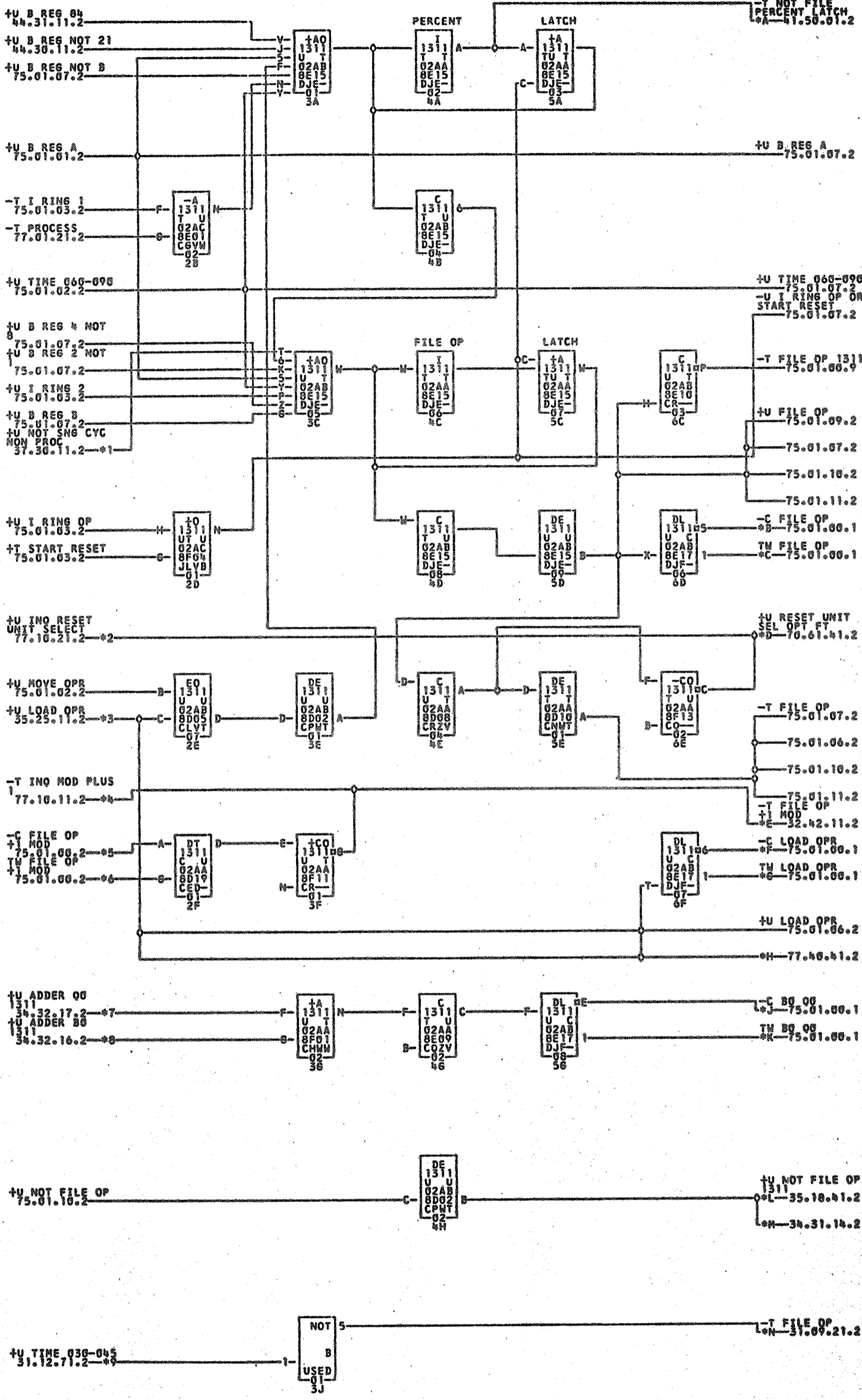
0731916

FILE OP AND PERCENT LATCH

1401LCF

75.01.04.2

TAG DATE



C 21.6.63
 TA 1870A
 D 22.8.63
 TA 1914A

- | | | | | | |
|-------------|-------------|-------------|-------------|-------------|-------------|
| *1-02A8C23R | *2-02A8C24A | 01B8A0AP | *3-02A8F23B | 02A8F03A | 01B1A03H |
| *4-02A8C13R | 01B8A0CD | *5-02A8D25G | 02B5C122 | 13A1XD22 | *6-02A8D25H |
| *8-02A8D23D | 13A1XD27 | *7-02A8D21K | 01B3C01J | *8-02A8D21L | 01B3C02J |
| 02B5C12B | 02A8D19E | *9-01B3E02G | *A-02A8F24M | 02B6C03L | *B-02A8D25J |
| 02A8E07B | 13A1XB15 | *C-02A8D25K | 02A8F131 | 13A1XB17 | *D-02A8E24O |
| 02B5C134 | 02A2C23F | *E-02A8F24M | 02A9D15A | 01A8F26L | *F-02A8D25I |
| 01B8A00N | 13A1XB05 | *G-02A8D25M | 02B5C137 | 13A1XB10 | *H-02A8C24E |
| 13A1XC18 | *J-02A8D25N | 02B5C140 | 13A1XC16 | *K-02A8D25P | 02B5C14E |
| *N-02A8F24H | *L-02A8E24E | 02A9F15B | 01A3E23P | *M-02A8F21Q | 01B3D22E |
| | 02A9F19C | 01B2A03R | | | |

COMMENTS TAG DATE E.C.NO. TAG DATE E.C.NO. TAG DATE E.C.NO. TAG DATE E.C.NO.
 A 11-17-62 116245A B 03-01-63 117141 C 03-26-63 117235 D 06-05-63 118069

0731917

CTRL SIGNAL TERMINATION + DIST.

1401LCF

75.01.05.2

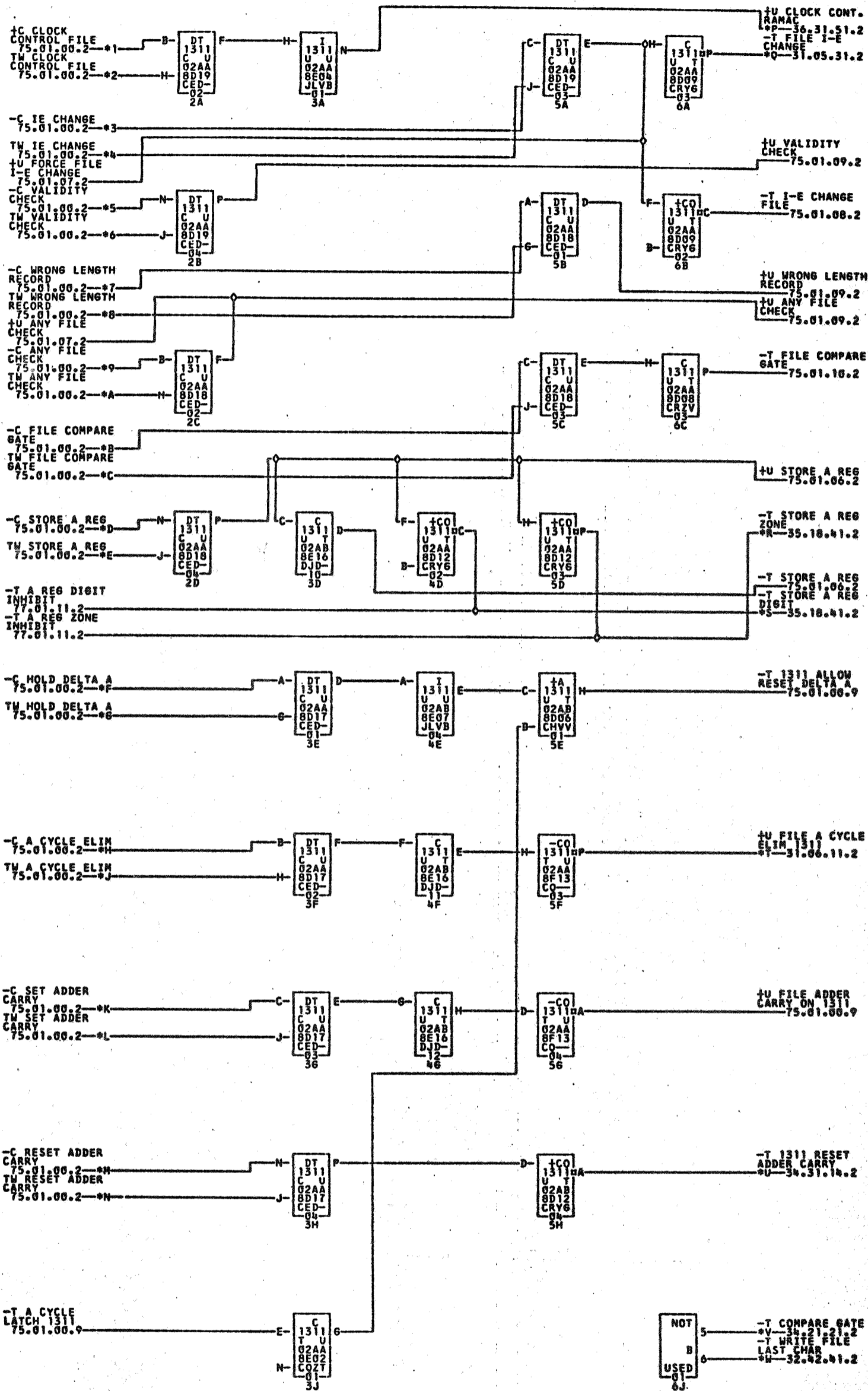
TAG DATE

B 21.6.63

TA 1870A

C 22.8.63

TA 1914A



*1- 02ABE22A	02B5C252	13A1XD23	*2- 02ABE22B	02B5C255	13A1XD28
*3- 02ABE22C	02B5C256	13A1XE08	*4- 02ABE22D	02B5C260	13A1XE09
*5- 02ABD22A	02B5C201	13A1XE01	*6- 02ABD22B	02B5C206	13A1XE02
*7- 02ABD22C	02B5C208	13A1XC01	*8- 02ABD22D	02B5C212	13A1XC02
*9- 02ABD22E	02B5C215	13A1XD31	*A- 02ABD22F	02B5C216	13A1XD32
*B- 02ABD22G	02B5C222	13A1XE20	*C- 02ABD22H	02B5C225	13A1XE25
*D- 02ABD22J	02B5C228	13A1XD26	*E- 02ABD22K	02B5C231	13A1XD30
*F- 02ABD22L	02B5C234	13A1XD16	*G- 02ABD22M	02B5C237	13A1XD24
*H- 02ABE22A	02B5C152	13A1XD19	*I- 02ABE22B	02B5C155	13A1XD29
*K- 02ABE22C	02B5C158	13A1XE21	*L- 02ABE22D	02B5C160	13A1XE26
*M- 02ABE22E	02B5C229	13A1XE19	*N- 02ABE22F	02B5C232	13A1XE24
*P- 02ABE24L	02A0F11A	01A6D2NK	*O- 02ABE24F	02A0D17D	01B2A07M
*R- 02ABE24D	02A9F13B	01A3E23N	*S- 02ABE24C	02A9F11B	01A3E23M
*T- 02ABD21A	01B2A02Q	*U- 02ABD21P	*V- 02ABE24B		02A9D19D
01B6F03N	*W- 02ABE23C	*X- 02A9C07F			

COMMENTS

TAG DATE E.C.NO. TAG DATE E.C.NO. TAG DATE E.C.NO. TAG DATE E.C.NO.

A 11-17-62 116245A B 03-01-63 117141 C 06-05-63 116069

731917

0731910

CTRL SIGNAL TERMINATION + DIST.

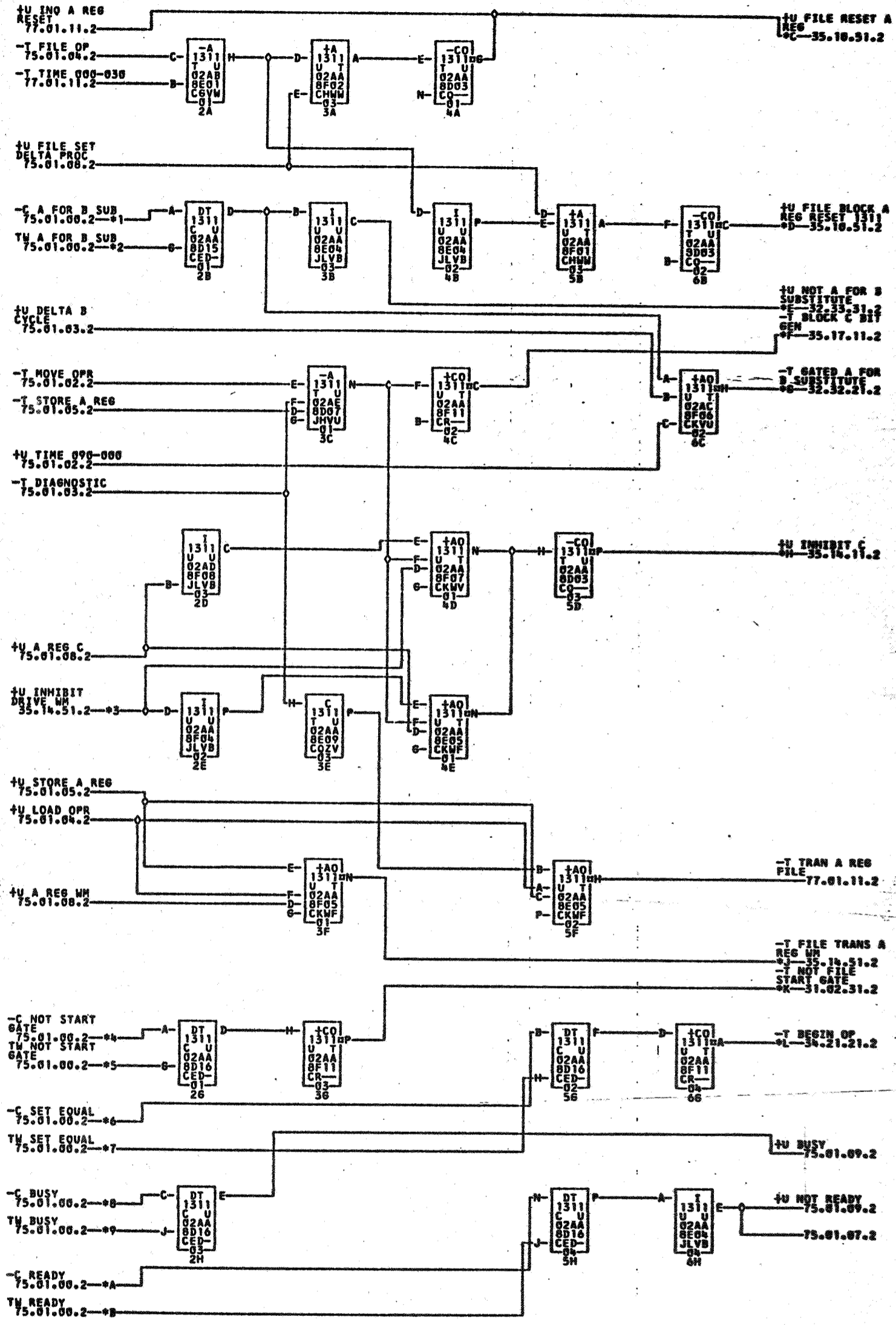
1401LCF

75.01.06.2

TAG DATE

D 21.6.63
TA 1870A

E 22.8.63
TA 1914A



#1-02ABF25C	02B5C235	13A1XD09	#2-02ABF25D	02B5C238	13A1XD18
#2-02ABF25E	02A9F19B	01A3E23R	#3-02ABF25F	02B5C241	13A1XC03
#3-02ABF25G	02B5C244	13A1XC04	#4-02ABF25G	02B5C247	13A1XE05
#4-02ABF25H	02B5C250	13A1XD17	#5-02ABF25H	02B5C253	13A1XD15
#5-02ABF25I	02B5C256	13A1XD18	#6-02ABF25I	02B5C259	13A1XE06
#6-02ABF25J	02B5C263	13A1XD11	#7-02ABF25J	02A0D11C	01A3F25J
#7-02ABF25K	01A3C16P	*E-02ABF24E	#8-02ABF25K	01A7B24N	*F-02ABF24P
#8-02ABF25L	01A3F23R	*G-02ABF24D	#9-02ABF25L	01B2C03R	*H-02ABF24Q
#9-02ABF25M	01A3D236	*J-02ABD23M	#10-02ABF25M	01B2D06R	*I-02ABF24R
#10-02ABF25N	*K-02ABD23L	02A0D056	#11-02ABF25N	02A9E056	*L-02ABE24A
#11-02ABF25O			#12-02ABF25O	01B2C03F	
#12-02ABF25P			#13-02ABF25P		
#13-02ABF25Q			#14-02ABF25Q		
#14-02ABF25R			#15-02ABF25R		
#15-02ABF25S			#16-02ABF25S		
#16-02ABF25T			#17-02ABF25T		
#17-02ABF25U			#18-02ABF25U		
#18-02ABF25V			#19-02ABF25V		
#19-02ABF25W			#20-02ABF25W		
#20-02ABF25X			#21-02ABF25X		
#21-02ABF25Y			#22-02ABF25Y		
#22-02ABF25Z			#23-02ABF25Z		

COMMENTS

TAG DATE	F.C.NO.	TAG DATE	F.C.NO.	TAG DATE	F.C.NO.	TAG DATE	F.C.NO.
A 11-17-62	110255A	B 03-01-63	117141	C 03-26-63	117233	D 04-02-63	117245
E 06-05-63	114069						

731910

0731919

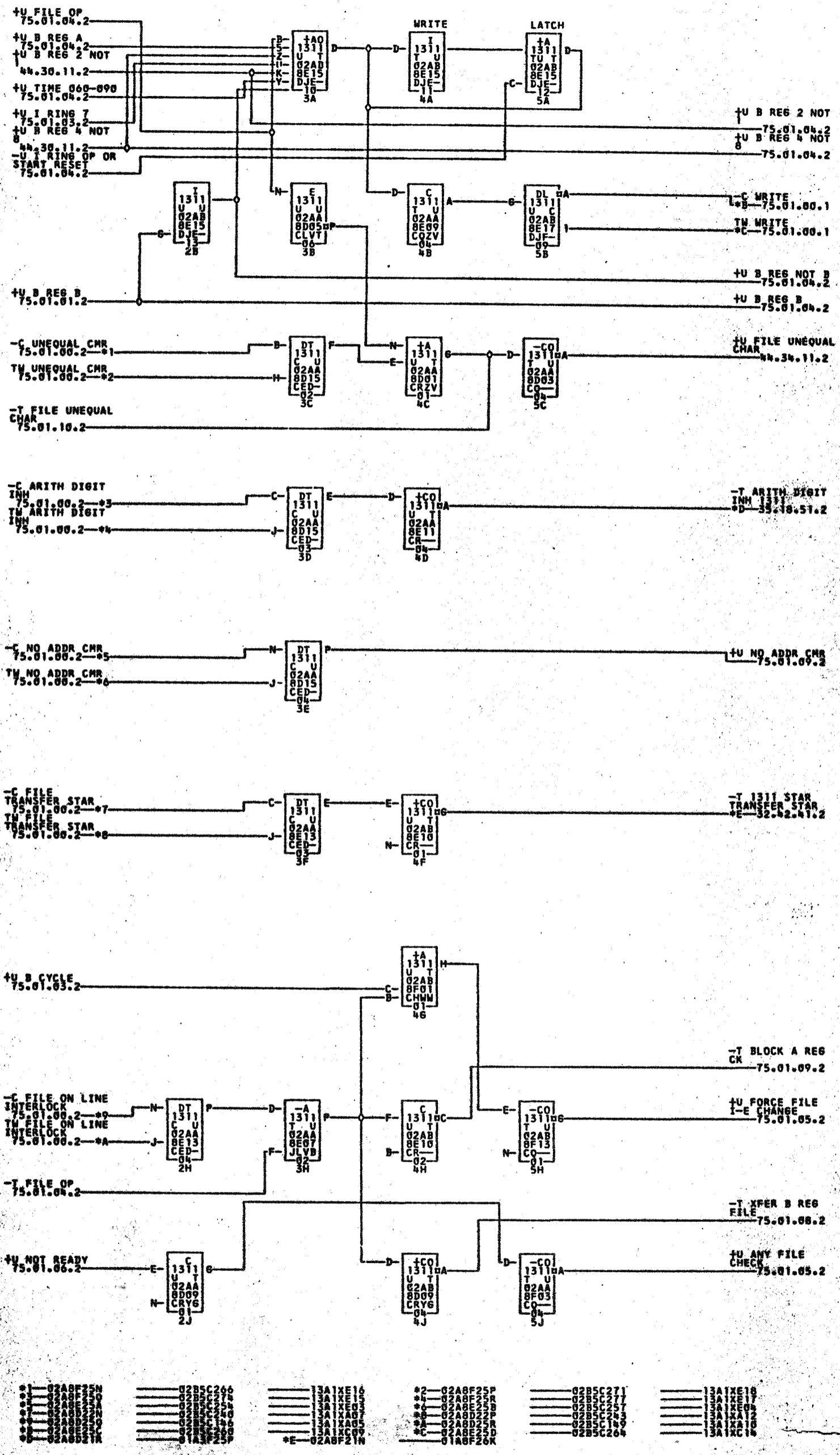
WRITE DECODE AND LATCH

1401LCF

75.01.07.2

TAG DATE

A 26.2.63
 TA 1740
 B 21.6.63
 TA 1870A



*1-02ABF25H 02ABF26H 02ABF27H 02ABF28H 02ABF29H 02ABF30H 02ABF31H	*2-02ABF25D 02ABF26D 02ABF27D 02ABF28D 02ABF29D 02ABF30D 02ABF31D	*3-02ABF25N 02ABF26N 02ABF27N 02ABF28N 02ABF29N 02ABF30N 02ABF31N	*4-02ABF25P 02ABF26P 02ABF27P 02ABF28P 02ABF29P 02ABF30P 02ABF31P	*5-02ABF25Q 02ABF26Q 02ABF27Q 02ABF28Q 02ABF29Q 02ABF30Q 02ABF31Q	*6-02ABF25R 02ABF26R 02ABF27R 02ABF28R 02ABF29R 02ABF30R 02ABF31R
---	---	---	---	---	---

COMMENTS TAG DATE E.C.NO. TAG DATE E.C.NO. TAG DATE E.C.NO. TAG DATE E.C.NO.

781919

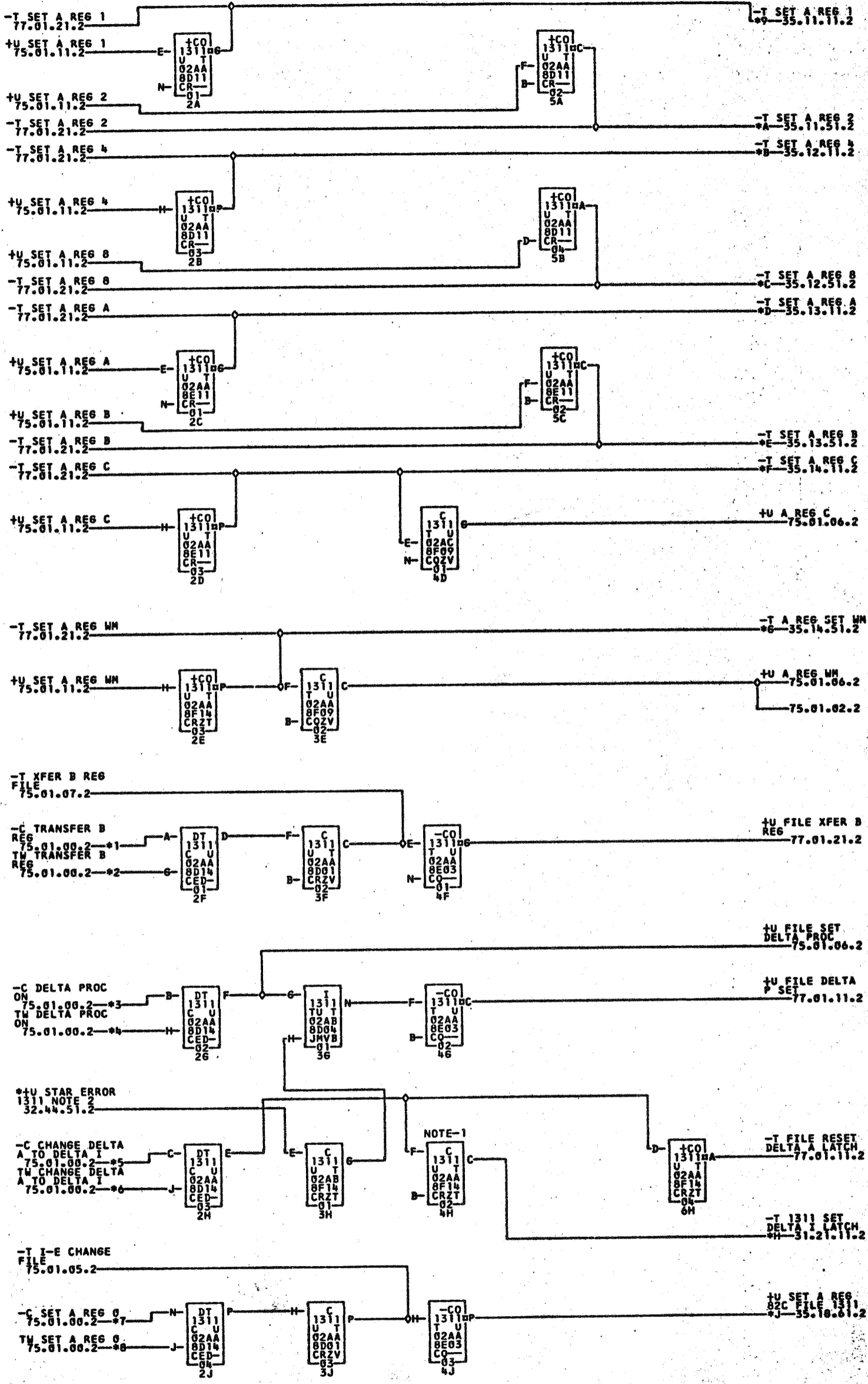
0731920

A REGISTER SET

1401LCF

75.01.08.2

TAG DATE



A 28.2.63
 TA 1740
 D 21.6.63
 TA 1870A

- | | | | | | |
|--------------|----------|--------------|--------------|----------|----------|
| *1- 02ABE25E | 02B5C247 | 13A1XD20 | *2- 02ABE25F | 02B5C272 | 13A1XD25 |
| *3- 02ABE25G | 02B5C248 | 13A1XE07 | *4- 02ABE25H | 02B5C273 | 13A1XE12 |
| *5- 02ABE25I | 02B5C249 | 13A1XE09 | *6- 02ABE25K | 02B5C205 | 13A1XE14 |
| *7- 02ABE25J | 02B5C210 | 13A1XD07 | *8- 02ABE25M | 02B5C213 | 13A1XD12 |
| *8- 02ABE25L | 02ABE076 | 02AGC16C | *A- 02ABE246 | 02ABE09D | 02AGE09D |
| *9- 02ABE25M | 01A3F23B | *B- 02ABE24H | *C- 02ABE24K | 01A3F23C | 01A3F23C |
| *A- 02ABE24J | 02A0E09F | *D- 02ABE24L | *E- 02ABE24M | 02A0E09F | 01A3F23D |
| *B- 02ABE24K | 01A3F23E | *F- 02ABE24N | *G- 02ABE24P | 02A0E09G | 02A0E09G |
| *C- 02ABE24L | 02A0E11E | *H- 02ABE24Q | *I- 02ABE24R | 02A0E09H | 01A3F23E |
| *D- 02ABE24M | 02A0F21F | *J- 02ABE24S | *K- 02ABE24T | 02A0E09I | 02A0F17B |
| *E- 02ABE24N | | | | 01A3F23F | |
| *F- 02ABE24P | | | | 02A0F17B | |
| *G- 02ABE24Q | | | | | |
| *H- 02ABE24R | | | | | |
| *I- 02ABE24S | | | | | |
| *J- 02ABE24T | | | | | |

NOTE 1- REPLACE WITH CRYG NO. 0371277
 TAG DATE F.C.NO. TAG DATE F.C.NO. TAG DATE F.C.NO. TAG DATE F.C.NO.
 A 11-17-62 116245A B 03-01-63 117141 C 03-26-63 117233 D 04-02-63 117245

731920

0731921

TRANSFER PROGRAM

1401LCF

75.01.09.2

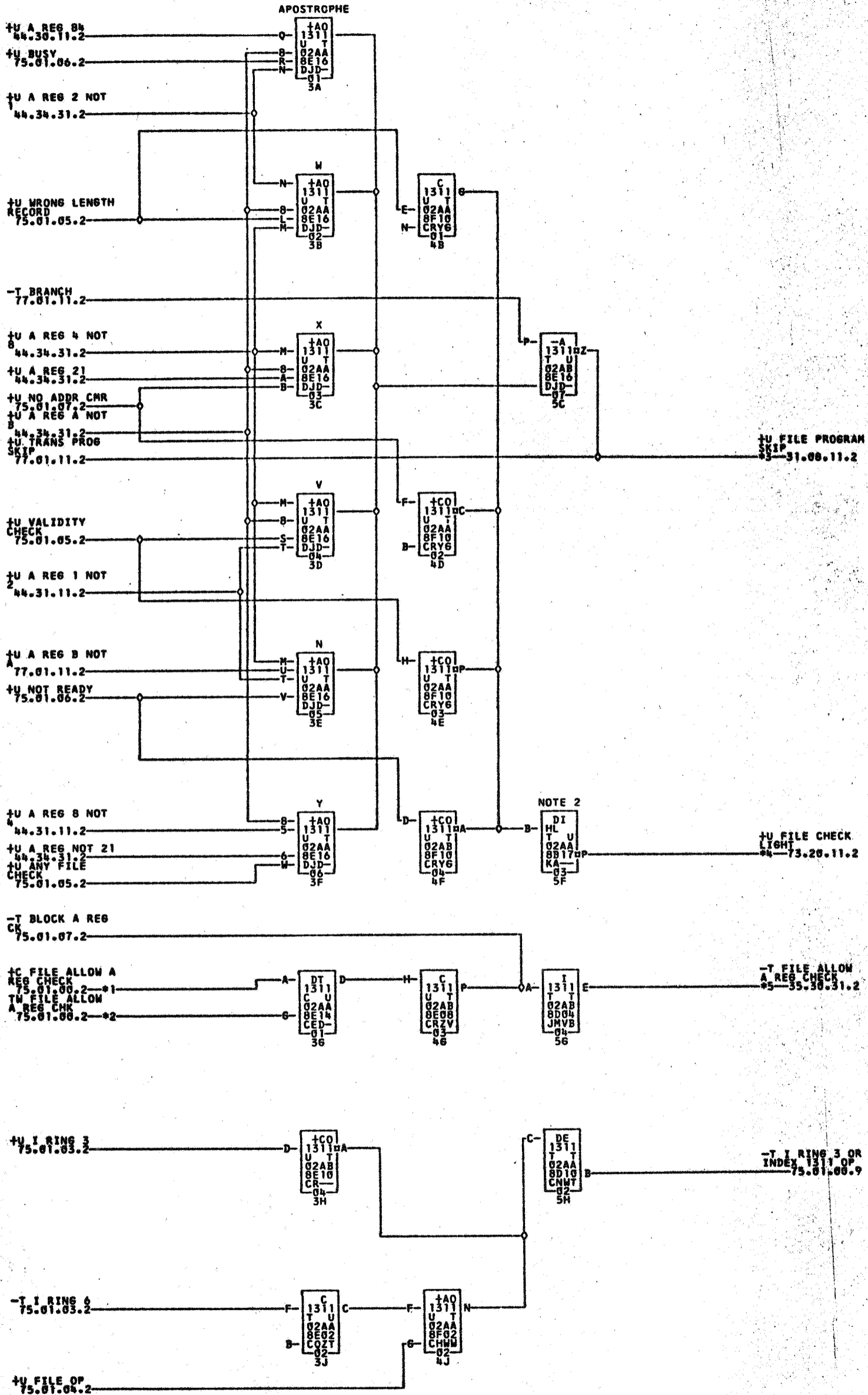
TAG DATE

A 26.2.63

TA 1740

B 21.6.63

TA 1870A



*1-02A8E25N
 *3-02A8F24J
 *5-02A8D23K

02B5C216
 02A8E01F
 02A8B09F

13A1XD21
 01B2C01P
 01B6C01A

*2-02A8E25P
 *4-02A8F246

02B5C220
 02A8E03A

13A1XD26
 01A2A160

NOTE2-TIE B17B TO B17L ON MACH
 WITH HI-LOW W-O FILE

TAG DATE E.C.NO. TAG DATE E.C.NO. TAG DATE E.C.NO. TAG DATE E.C.NO.
 A 11-17-62 116245A B 03-01-63 117141

731921

0731922

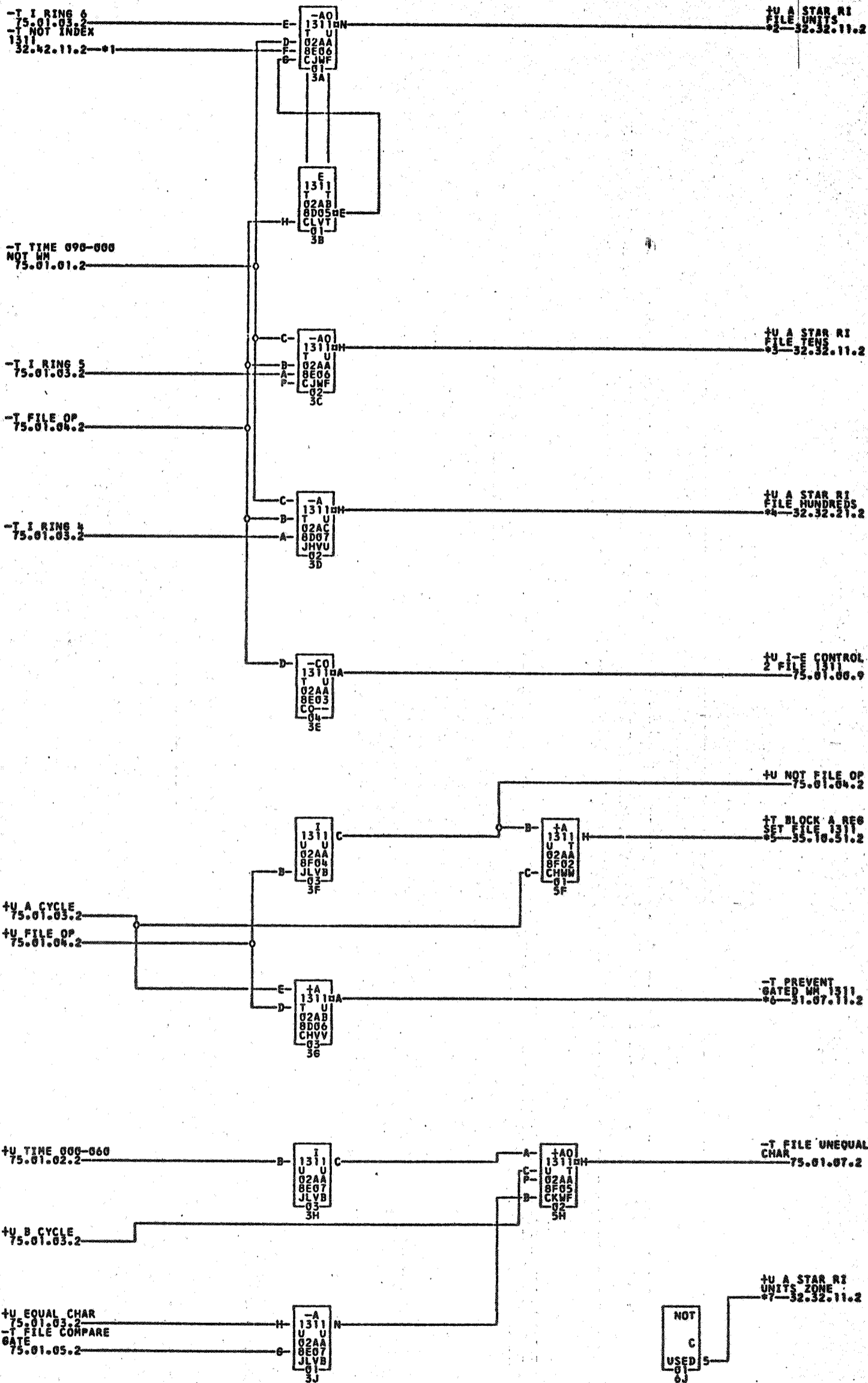
A STAR RI CONTROLS

1401LCP 75-01.10.2

TAG DATE

B 21.6.63
TA 1870A

C 22.8.63
TA 1914A



- *1- 02A8D21H
02A9C01B
01A3B15B
- 01A8A26F
01A7B24L
*6- 02ACD21N
- *2- 02A8F24A
*4- 02A8F24C
01B2A02J
- 02A9B19B
02A9C03B
*7- 02A8F236
- 01A7B24K
01A7B24M
02A9C01E
- *3- 02A8F24B
*5- 02A8F21C
01A8E26L

COMMENTS

TAG DATE	E.C.NO.	TAG DATE	E.C.NO.	TAG DATE	E.C.NO.	TAG DATE	E.C.NO.
A 11-17-62	116245A	B 03-01-63	117141	C 06-05-63	114069		

731922

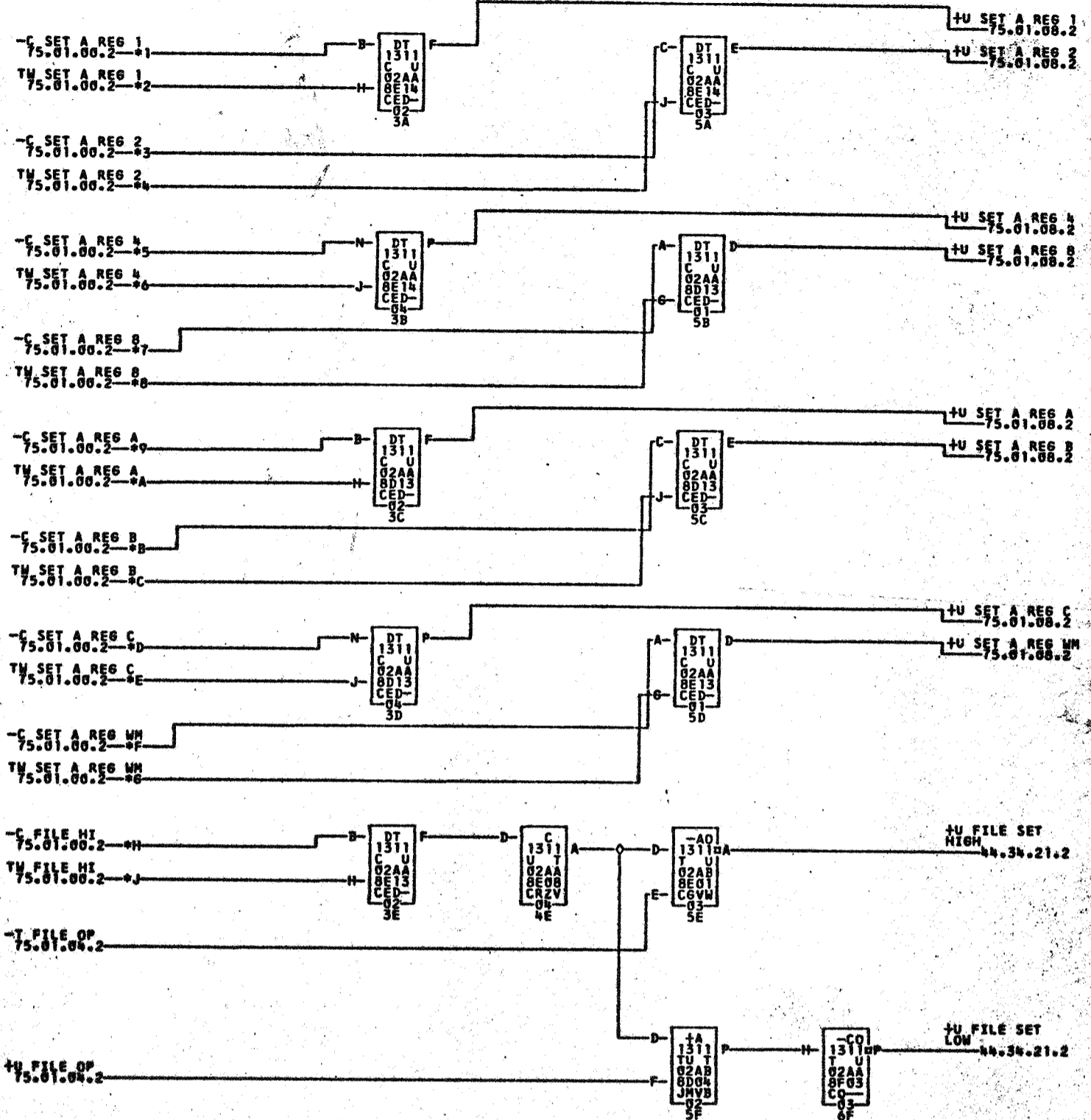
0731923

CTRL SIGNAL TERMINATION + DIST.

1401LCF

75.01.11.2

TAG DATE



A26.2.63
TA 1740

21.6.63
TA 1870A

01	02A8D24A	02B5C207	13A1XD10
02	02A8D24B	02B5C208	13A1XD09
03	02A8D24C	02B5C209	13A1XD08
04	02A8D24D	02B5C210	13A1XD07
05	02A8D24E	02B5C211	13A1XD06
06	02A8D24F	02B5C212	13A1XD05
07	02A8D24G	02B5C213	13A1XD04
08	02A8D24H	02B5C214	13A1XD03
09	02A8D24I	02B5C215	13A1XD02
10	02A8D24J	02B5C216	13A1XD01
11	02A8D24K	02B5C217	13A1XD00
12	02A8D24L	02B5C218	13A1XD13
13	02A8D24M	02B5C219	
14	02A8D24N	02B5C220	
15	02A8D24P		
16	02A8D24Q		
17	02A8D24R		
18	02A8D24S		
19	02A8D24T		
20	02A8D24U		
21	02A8D24V		
22	02A8D24W		
23	02A8D24X		
24	02A8D24Y		
25	02A8D24Z		

COMMENTS TAG DATE E.C.NO. TAG DATE E.C.NO. TAG DATE E.C.NO. TAG DATE E.C.NO.

A 11-17-62 116245A B 03-01-63 117191

731923

0720716

INQUIRY-MODE MODIFY

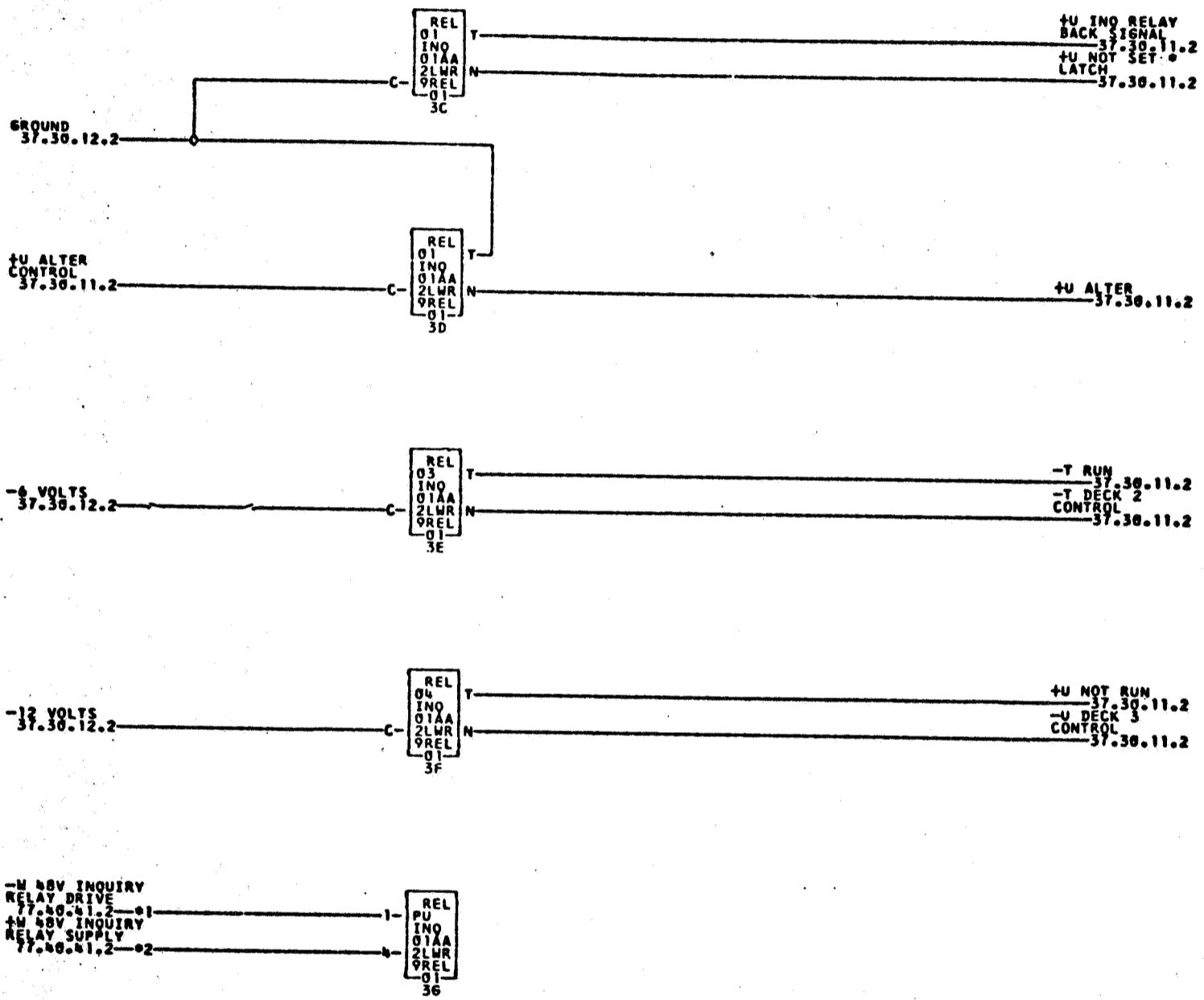
14011N0

77.01.01.2

TAG DATE

A 5.4.62
TA 1233B

B 16.4.63
TA 1815A



*1-01B8A08A 01A2A23H *2-01B8A0AS 01A2A23J

COMMENTS

TAG DATE	E.C.NO.	TAG DATE	E.C.NO.	TAG DATE	E.C.NO.	TAG DATE	E.C.NO.
A 12-15-61	113530	B 01-22-63	114177A				

728716

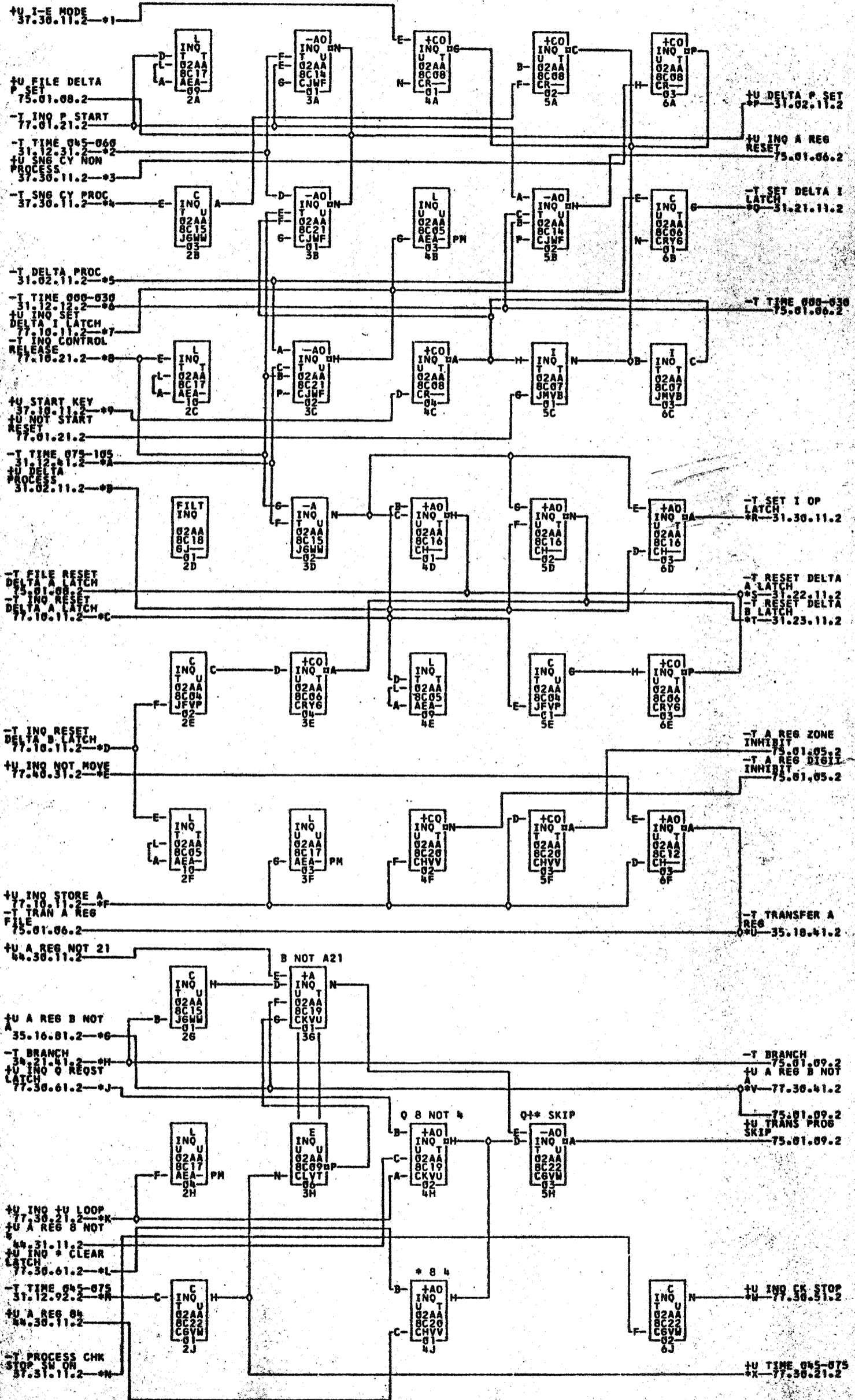
0731924

INQUIRY ATTACHMENT-CONTROL CKTS

14011NO

77.01.11.2

TAG DATE



*1-02ABC240	*2-02ABC23E	*3-02ABC24P	*4-02ABC24N	*5-02ABC23L	*6-02ABC23D
*7-02ABC24M	*8-01B8A0BM	*9-02ABC26K	*0-02ABC24R	*A-02ABC23F	*B-02ABC23H
*C-02ABC24G	*D-01B8A0CE	*E-02ABC25E	*F-01B8A0AU	*G-02ABC26N	*H-01B8A0AY
*I-02ABC24J	*J-01B8A0AJ	*K-02ABC23J	*L-02ABC23K	*M-02ABC26R	*N-01B8A0OL
*O-02ABC24A	*P-01B8A0AE	*Q-02ABC240	*R-01B8A0OV	*S-02ABC23L	*T-02ABC26P
*U-02ABC23B	*V-02A0D196	*W-01B2C03N	*X-02ABC25F	*Y-01B2F05A	*Z-02ABC26L
*AA-01B2F03B	*AB-02ABC230	*AC-02A0C13E	*AD-01B2A02A	*AE-02ABC25B	*AF-01B2F05L
*AG-02ABC24C	*AH-01B8A00R	*AI-01A3E23L	*AJ-02ABC25D	*AK-01B8A0AR	*AL-02ABC25C

COMMENTS

TAG DATE E.C.NO. TAG DATE E.C.NO. TAG DATE E.C.NO. TAG DATE E.C.NO.

A 11-17-62 116245A B 03-01-63 117141

731924

A 26.02.63
TA 1740

B 21.06.63
TA 1870A

+U DELTA P SET
75.02.11.2

+U INO A REG
RESET
75.01.06.2

-T SET DELTA I
LATCH
75.01.21.11.2

-T TIME 000-030
75.01.06.2

-T SET I OP
LATCH
75.01.06.2

-T RESET DELTA
A LATCH
75.01.22.11.2

-T RESET DELTA
B LATCH
75.01.23.11.2

-T A REG ZONE
INHIBIT
75.01.05.2

-T A REG DIGIT
INHIBIT
75.01.05.2

-T TRANSFER A
REG
75.10.41.2

-T BRANCH
75.01.09.2

+U A REG B NOT
77.30.41.2

+U TRANS PROG
SKIP
75.01.09.2

+U INO CK STOP
77.30.51.2

+U TIME 045-075
77.30.21.2

0731925

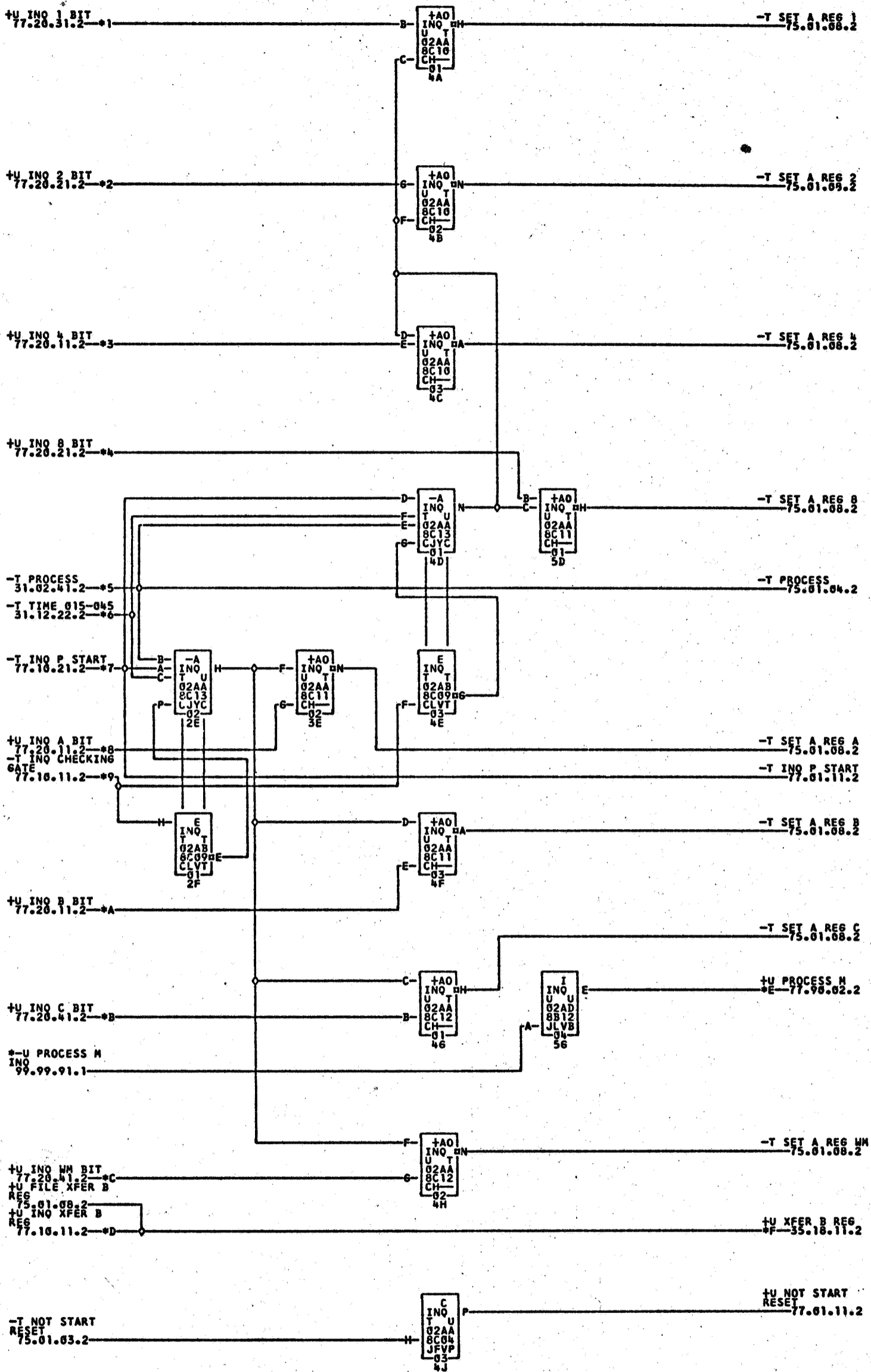
INQUIRY ATTACHMENT-DATA CKTS

1401INQ 77.01.21.2

D TAG DATE

C 21.6.63
TA 1870A

D 4.12.63
TA 604C



- | | | | | | |
|-------------|---------------|-------------|---------------|-------------|---------------|
| *1-01B8A00A | =====02A8C26A | *2-01B8A00K | =====02A8C26B | *3-01B8A00U | =====02A8C26C |
| *4-01B8A00D | =====02A8C26D | *5-02A8C23A | =====02A8C23B | *7-01B8A00B | =====02A8C26J |
| *8-01B8A00N | =====02A8C26E | *9-01B8A00N | =====02A8C24J | *A-01B8A00V | =====02A8C26F |
| *B-01B8A00F | =====02A8C26G | *C-01B8A00R | =====02A8C26H | *D-01B8A00T | =====02A8C26Q |
| *E-02A8C24K | =====01B8A0+N | *F-02A8C23P | =====02A8C02J | | |

731925

COMMENTS
SIGNALS PRECEDED BY + INDICATE
DIRECT CABLE EXPANSION

TAG DATE	F.C.NO.	TAG DATE	F.C.NO.	TAG DATE	F.C.NO.	TAG DATE	F.C.NO.
A 11-17-62	116245A	B 03-01-63	117141	C 03-26-63	117233	D 11-05-63	118575S

0724973

PROCESS METER

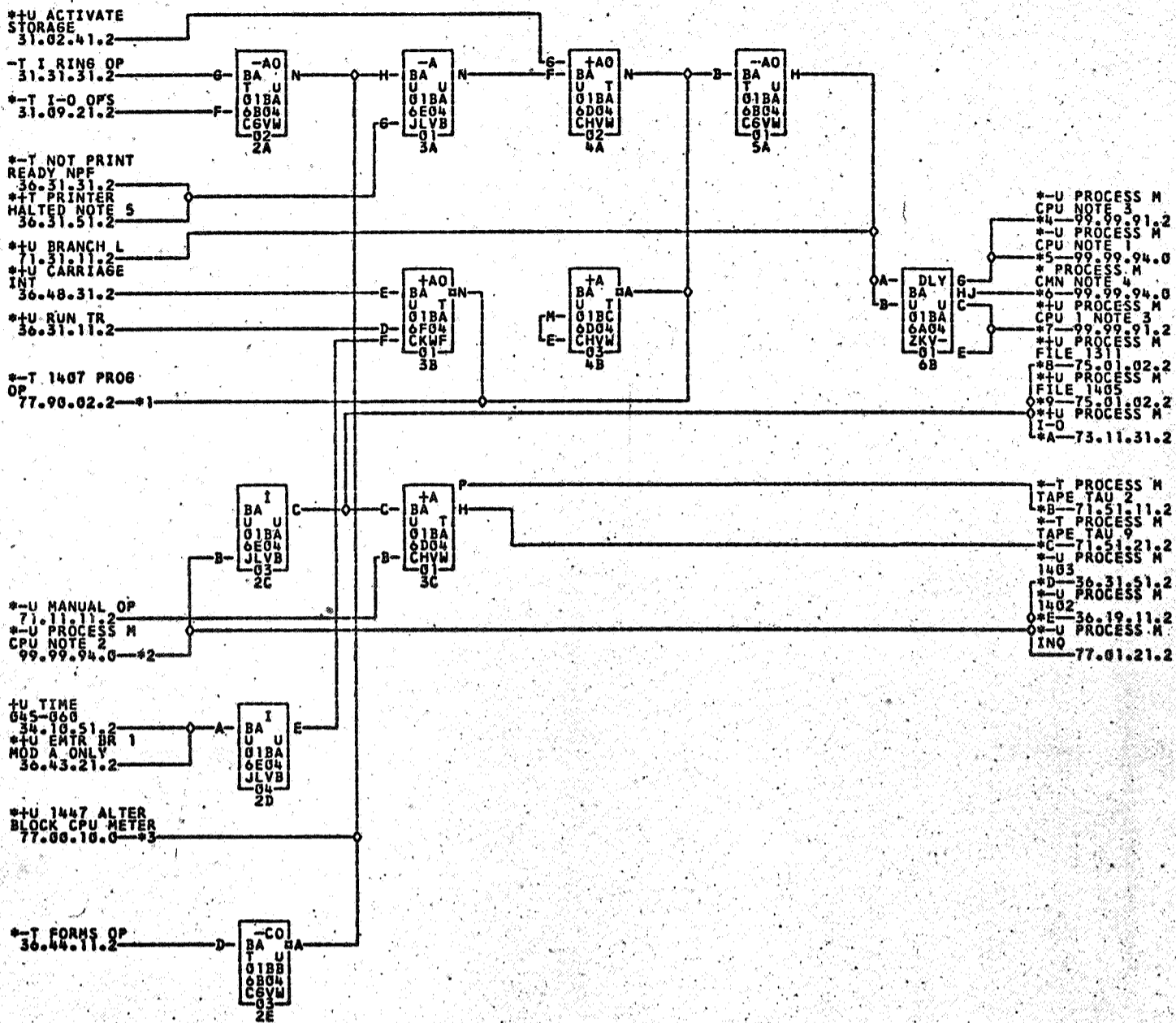
1401

99.99.91.1

TAG DATE

B 4.2.63
TA 604A

C 5.364
TA 704A



- *1-01B8A0+W
- *2-MBT0002
- *3-01B6B04A
- *4-01B6A046
- *5-01B6A046
- *6-01B8A0+R
- *7-01B6A04C
- *8-01B6E04B
- *9-01B6A04J
- *A-01B6A04C
- *B-01B6E04B
- *C-01B6E04C
- *D-01B6D04F
- *E-MBT0002
- *F-01B6D04F
- *G-01B6D04F
- *H-01B6D04F
- *I-01B6D04F
- *J-01B6D04F
- *K-01B6D04F
- *L-01B6D04F
- *M-01B6D04F
- *N-01B6D04F
- *O-01B6D04F
- *P-01B6D04F
- *Q-01B6D04F
- *R-01B6D04F
- *S-01B6D04F
- *T-01B6D04F
- *U-01B6D04F
- *V-01B6D04F
- *W-01B6D04F
- *X-01B6D04F
- *Y-01B6D04F
- *Z-01B6D04F

NOTE1 USED WHEN COMMENTS FROM METER TERMINAL 2 HBT0002
 NOTE2 USED FOR AUTO-RST FEATURE NOTE 4
 NOTE3 USED FOR AUTO-RST FEATURE NOTE 4
 NOTE4 USED FOR AUTO-RST FEATURE NOTE 4
 SIG PRESENT ONLY ON 20,000 SERIES PE
 MCHME. SIG PRECD BY *IND DIR CBL EXPAN.

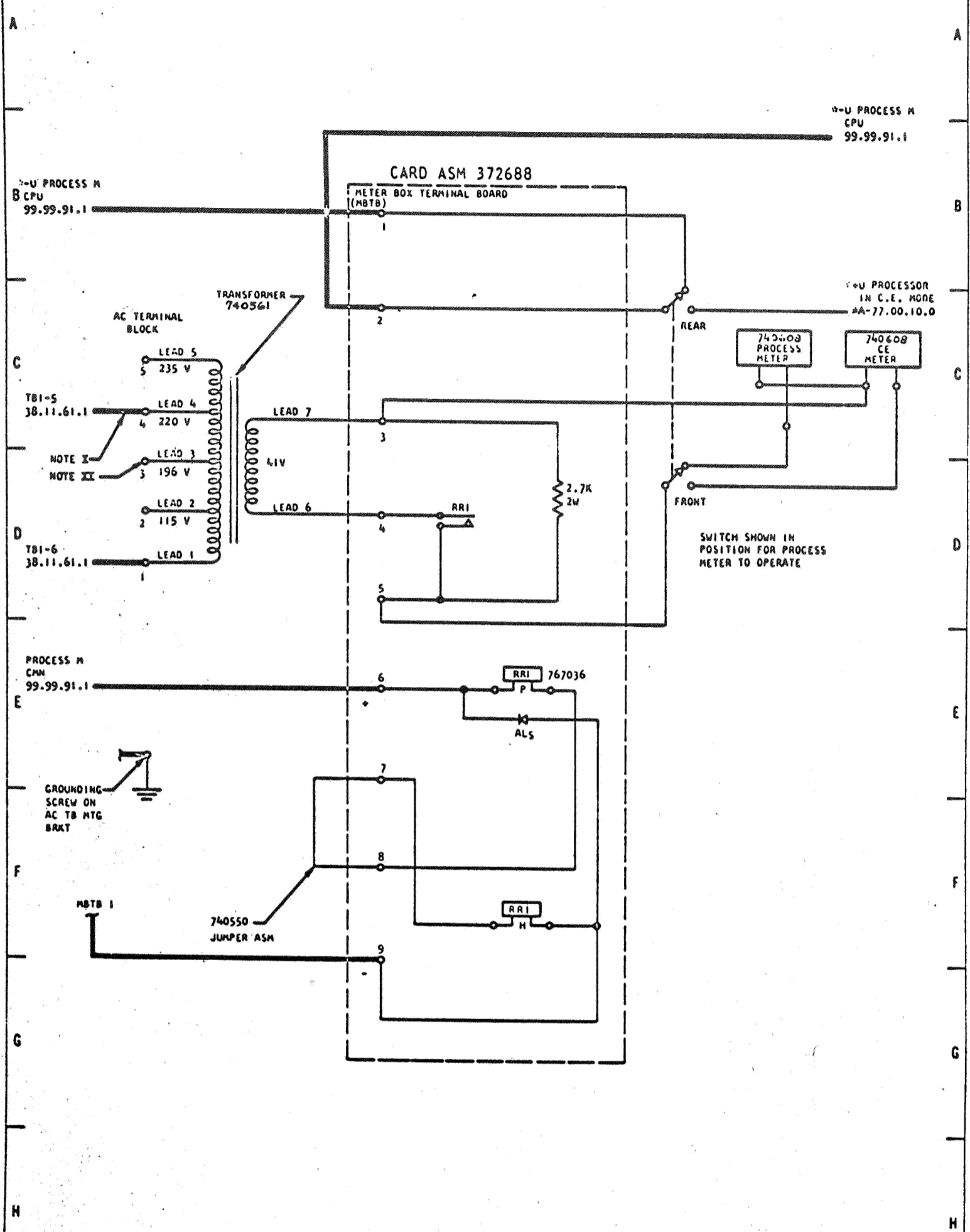
TAG DATE	E.C.NO.	TAG DATE	E.C.NO.	TAG DATE	E.C.NO.
A 09-11-63	118320D	B 10-11-63	118575P	C 12-02-63	118575X

0724973

724898

CPU METER UNIT 50 CYCLE

. 99.99.94 .0



NOTE
 X CONNECT LEAD AS REQUIRED FOR SPECIFIC MACHINE VOLTAGE
 XI FOR 24 VOLT APPLICATIONS, CONNECT POWER CABLE TO TERMINALS 3 AND 4

9A-D188A0CM (1409)

DATE	EC NO	DATE	EC NO	DATE	EC NO
11-14-63	119481				
4.2.63	TA 604R				

724898