

PART NO.	NAME	GATE	E.C. NO.	LOGIC NO.	SHEET 1 OF 2	
0724523	TIEDOWN LIST	CF	01B1	124221	42.40.10.2	
MISSING FEATURE	GATE	LOGIC NO.	SIGNAL NAME	PIN LOC.	TIED TO	E.C. NO.
A	ADV PROG	01A3	35.10.51.2	-T NOT STORE	F23P	F21K 113530
	ADV PROG	01A3	35.10.51.2	-T NOT INDEX 1	F23K	F22K 113530
	ADV PROG	01A7	32.34.11.2	-T NOT INDEX 2	B24J	B22K 112269G
	ADV PROG	01A7	32.34.21.2	+U NOT INDEX	B24H	B22J 112269G
	ADV PROG	01A8	32.42.11.2	-T NOT INDEX	E26Q	D23K 113530
	ADV PROG	01B2	31.30.11.2	+U NOT Q MODIFY	A01R	A05J 113530
	ADV PROG	01B2	31.02.41.2	+T PREVENT ACT STORAGE	A02M	A06K 113530
	ADV PROG	01B2	31.06.11.2	+U NOT P OPR	A02M	A06J 113530
	ADV PROG	01B2	31.30.11.2	-T NOT BLOCK I RING	A01Q	A07K 113530
	ADV PROG	01B3	34.31.15.2	-T STORE CY 2 ADDER CARRY	D02K	D05L 113530
	ADV PROG	01B6	31.31.31.2	-T NOT IB STAR 1	E01P	E06K 113530
	ADV PROG	02B1	74.21.31.2	+U GATE IN OVLP STAR	F23G	F23M 114614
	ADV PROG	02B1	74.21.31.2	+U NOT PREVENT I STAR RO	F24B	F24M 114614
	ADV PROG	02B1	74.11.71.2	-T NOT STORE CYCLE 123	B03J	B06K 114614
B	CF (1404) AND STL	01B1	36.43.11.2	-U FORMS SIDE + NOT STL MOD	D06F	D06J 114132A
	CF (1404) AND STL	01B1	36.48.31.2	-T CF EJECT CTRL	F02R	F05L 116369
	CF (1404) AND STL	01B1	36.48.21.2	-T FORMS SIDE + NOT STL MOD	F02M	F04K 114132A
	COL BINARY	01A8	32.42.11.2	+U NOT COL BIN CTRL	D24M	D23J 113530
	COL BINARY	01B7	36.23.31.2	-T NOT COL BIN CTRL	D01M	D05K 113530
	COL BINARY	02B2	74.11.91.2	COLUMN BINARY INDICATOR	E06P	D20L 114617
	COL BIN AND BIT TST	01A3	35.18.11.2	+U BIT TEST OPR	B24P	B20M 113530
	COMP TAPE	01A8	32.42.41.2	-T TRANSFER STAR	E26H	D23L 113530
	COMP TAPE	02A2	70.51.21.2	-T NOT COMPRESSED WORD	A23D	A22K 110320W
	COMP TAPE	02B6	44.70.21.2	-T A CYCLE ELIM	F06D	F06L 114154
C	DUAL SPEED CARR	01B1	36.48.31.2	-T HIGH SPEED STOP	F03Q	F04L 112269C
	DUAL SPEED CARR	01B1	36.48.31.2	-T HIGH SPEED START	F03M	F05L 112269C
	EXP PR EDIT	01A3	35.11.51.2	-T EXP EDIT ENTER FLOAT DOL	E03F	E05L 113530
	EXP PR EDIT	01A3	35.12.11.2	-T EXP EDIT ENTER AST FILL	E03D	E06L 113530
	EXP PR EDIT	01A3	35.10.31.2	+U FLOATING DOLLAR	B26G	B21M 113530
	EXP PR EDIT	01A3	35.10.31.2	+U IMM SW ASTERISK FILL	B26H	B20M 113530
D	HD	01A7	32.33.21.2	-T B STAR GATE IN T+H CALC	A23L	A18K 112269B
	HD	01A7	32.38.21.2	+T ADDR REG SET HB CALC	B26M	B20L 112269G
	HD	01A7	32.38.11.2	-T ADDR REG SET HA CALC	B26N	A22L 112269G
	HD	01A7	32.33.11.2	-T B STAR GATE IN UNIT CALC	A23K	A17K 112269B
	HD	01A7	32.33.31.2	+U B STAR GATE OUT CALC	A23J	A18J 112269G
	HD	01A7	32.32.21.2	+U A STAR GATE OUT CALC	A23H	A17J 112269G
	HD	01B2	31.06.11.2	+U NOT CALC	A03A	A06J 113530
	HD	01B2	31.25.11.2	-T NOT A AUX STAR KEY	B03Q	B05K 113530
	HD	01B2	31.25.11.2	-T NOT B AUX STAR KEY	B03R	B05K 113530
	HD	02B1	74.11.71.2	-T NOT A CY ELIM LAT CAL	C01H	D05K 114159
E	MAGNETIC EMITTER	01B1	36.41.11.2	MAGNETIC EMITTER IMPULSE	C25H	C25L 117134
	OVERLAP	01A6	36.31.91.2	-T NOT OVLP CYCLE HPF HNU	F23M	E22K 113530
	OVERLAP	01A6	36.31.91.2	-T NOT OVLP CYCLE MPF HNU	F23J	E22K 113530
	OVERLAP	01A6	36.31.91.2	-T NOT OVLP CYCLE PF HNU	F23M	E22K 113530
	OVERLAP	01A6	36.31.91.2	-T NOT OVLP CYCLE PH HNU	F23N	E22K 113530
	OVERLAP	01A7	32.38.11.2	-T ADDR REG SET HA OVERLAP	C22L	B21L 112269G
	OVERLAP	01A7	32.38.21.2	-T ADDR REG SET HB OVERLAP	C22M	B21L 112269G
	OVERLAP	01A8	32.42.11.2	-T NOT OVERLAP CONTROL	A25K	B23K 113530
	OVERLAP	01B2	31.02.11.2	-T NOT OVERLAP CYCLE	D05K	D08K 113530
	OVERLAP	01B4	36.11.11.2	-T NOT OVLP CYCLE	D04J	D05K 112269F
	OVERLAP	01B4	36.22.11.2	-T NOT T + I-O OVLP MODE	F04E	E09K 112269F
	OVERLAP	01B4	36.22.11.2	-T NOT OVLP FEATURE	D04M	D08K 112269F
	OVERLAP	01B4	56.70.21.2	-U OVLP BUSY + RP OVLP MODE	D04N	D06J 112269F
	OVERLAP	01B6	34.21.41.2	-T RP OVERLAP MODE	F02J	F05L 113530
	OVERLAP	01B6	34.21.41.2	-T NOT OVERLAP CYCLE	F02A	F05K 113530
	OVERLAP	01B7	56.12.11.2	NO SIGNAL NAME	C20D	C20M 113530
	OVERLAP	02A2	70.11.41.2	+U NOT T + I-O OVLP MODE	B25F	B22J 116225
	OVERLAP	02A2	70.11.21.2	+U DELTA PROCESS	B26C	B21J 110320W
	OVERLAP	02B6	41.51.51.2	-T NOT PREVENT I STAR RO	C03M	C08K 113830
	OVERLAP	02B8	74.61.01.2	-T ALL SCANS COMP	D04Q	D05L 112269A
	OVERLAP	02B1	74.31.21.2	+U NOT OVERLAP CYCLE	D03R	D04J 114614
F	PFR CRD FD COMP	01B4	36.10.21.2	+U PFR OPR	F01Q	F05M 112269F
	PFR CRD FD COMP	01B4	36.12.21.2	+U NOT PFR OPR	F01P	F05J 112269F
	PFR AND OVLP AND CFC	01B4	36.10.21.2	-T PFR OPR	C18D	C18L 114148A
	PFR AND 140A	02B2	74.11.91.2	-T PFR OPR	E06R	D19L 114617
	PRINTER	01A6	36.37.21.2	-T PRT CHECK LATCH	F10H	F10L 113530
	PRINTER	01A6	36.33.21.2	-T EQ CHK INHIBIT	B22G	B22L 113530
	PRINTER	01A6	36.37.11.2	HOME ERROR TRIGGER % WITH OR W/O PRINT BUFFER	D04H	D04J 113530
G	PRINT BUFF	01A7	32.30.11.2	-T NOT PR STORAGE SCAN	D25F	D22K 112269G
	PUNCH FD RD	01A8	32.42.31.2	+U NOT TRANS SCAN	E24J	E23J 113530
H	READER-PUNCH	01A2	37.20.11.2	+U READER LIGHT	A19C	A24A 113530
	READER-PUNCH	01A3	35.18.51.2	+U RD-PCH ARITH ZONE IMM	A23P	A20M 113530
	READER-PUNCH	01A3	35.18.21.2	-T LOAD LATCH	D24G	D20L 113530
	READER-PUNCH	01A3	35.18.11.2	-T B REG XFER	A23N	A19L 113530
	READER-PUNCH	01A3	35.17.71.2	-T NOT MLP	D25H	E20K 113530
	READER-PUNCH	01A3	35.14.11.2	-T ENCODE C GATE	A23L	A20L 113530
	READER-PUNCH	01A7	32.31.11.2	+U PCM ADDR SET UP CTRL	D25A	E22M 112269G
	READER-PUNCH	01A7	32.31.21.2	+U RD ADDR SET UP CTRL	D25B	F22M 112269G
	READER-PUNCH	01A8	32.42.11.2	-T RD PUNCH SCAN	E24K	D22M 113530
	READER-PUNCH	01B1	35.21.12.2	T GATED LOAD KEY	D02R	E04L 112269C
	READER-PUNCH	01B2	31.09.51.2	+U GATED LOAD KEY	A04K	A07M 113530
	READER-PUNCH	01B2	31.02.11.2	-T RD PCH SCAN GATE	A04M	A09L 113530
	READER-PUNCH	01B2	31.02.21.2	-T RD PCH OP	A04G	A08L 113530
	READER-PUNCH	01B2	31.09.11.2	-T RD PCH CHECK	A04A	A07L 113530
	READER-PUNCH	01B6	34.21.31.2	+U READ END	A03A	B05J 113530
	READER-PUNCH	01B6	35.30.31.2	+U BLOCK B REG CHK	A03F	B06M 113530
	READER-PUNCH	01B6	34.21.51.2	+U READ ERROR CHECK	A03H	B07M 113530
	READER-PUNCH	01B6	34.21.51.2	+U PUNCH CHECK	A03H	B08M 113530
	READER-PUNCH	01B6	34.21.51.2	-T PUNCH LIGHT	A03B	B09L 113530
	READER-PUNCH	01B6	34.32.20.2	-T RD-PCH ARITH DIGIT IMM	A03J	A06L 113530
J	READER-PUNCH AND 1407	01B2	31.09.51.2	+U NOT REGEN B REG WM	A04B	A06M 113530
	READ PCH REL	01B1	56.70.11.2	+U FEED REL OPR	D01J	A05M 112269C
	READ PCH REL	01B1	56.70.11.2	+U PUNCH REL OPR	D01R	B05M 112269C
	READ PCH REL	01B4	56.70.21.2	-T PCH REL TR	B15F	B16L 117148
	READ PCH REL	01B4	56.70.21.2	-T RD REL TR	A17B	A17L 117148
	SENSE SWITCHES	01B6	34.22.11.2	-T SS TRSFR PRG SKIP	A24C	A24L 114164
	SEL TAPE LIST	01B1	36.46.11.2	-STL MODE	F02Q	F04L 116228
	SERIAL I/O	01B3	34.33.13.2	-T I-O ERROR LIGHT	D02R	F19L 113530
	SERIAL I/O	02A1	71.31.21.2	-T NOT SELECT I-O ATT	D18A	C18K 110320Z
	SERIAL I/O	02B1	74.31.41.2	+U SELECT I-O ATTACH	D03G	D04M 114614

NOTE: ON STERLING MACHINES THIS TIE DOWN LIST IS REPLACED BY PART NO. 794 219

724523 / 1

DATE 10. SEP 65
TA 32519

DATE	EC NO	DATE	EC NO	DATE	EC NO
9-25-62	116359	10-18-62	116369	10-30-62	116727
11-30-62	116778	1-3-63	116789	2-1-63	117134
3-27-63	117239	5-29-63	114195	6-12-63	114196
8-1-63	118316	11-12-64	121874	6-17-65	124221

PART NO.	NAME	GATE	E.C. NO	LOGIC NO.		
0724523	TIEDOWN LIST CF	01B1	12/221	42.40.10.2	SHEET 2 OF 2	
MISSING FEATURE	GATE	LOGIC NO.	SIGNAL NAME	PIN LOC.	TIED TO	E.C. NO.
A	TAPES	01B1	35.29.11.2	-T TAPE ERROR	C03P	C04L 112269C
	TAPES	01B2	31.09.51.2	-U LOAD TAPE	A03P	B05J 113530
	TAPES	02A2	70.11.41.2	+U SEL + T1 ON	A25N	B22M 110324W
	TAPES	02A2	70.51.21.2	-T NOT LOAD TAPE LATCH	C26A	D23K 110324W
	TAPES	02A2	70.61.21.2	-T TAU READ ERR	A25L	A13P 110320V
	TAPES	02A2	70.61.21.2	-T TAU READ ERR	A13H	A13M 110320V
	TAPES	02A2	70.61.41.2	-T DIAGNOSTIC	C25J	C22L 110320W
	TAPES	02A2	73.12.21.2	-T BRANCH L MOD B + F	D26G	F23L 110320W
	TAPES	02A2	70.11.41.2	+U TAU ENROR	A25K	A22M 113530
	TAPES	02B1	74.11.81.2	-T LOAD TAPE SS	E03M	E07L 114614
	TAPES 729	02A1	71.61.21.2	+U NOT 729 CNTL LATCH	D17H	C17J 110320Z
	TAPES 729	02B2	89.60.01.1	-Y SEL+READY MOD 4	C08K	C08G 114169
	TAPES 729	02B2	89.60.01.1	-Y SEL+READY MOD 2	C08B	C08C 114169
	TAPES 729	02B2	89.60.02.1	-Y SEL+LP 729	C09K	C09J 114169
	TAPES 729	02B2	89.60.10.1	-Y SEL+RDY RD 729	D10B	D10C 114169
	TAPES 729	02B2	89.60.10.1	-Y SEL+RDY WR 729	D10K	D10G 114169
	TAPES AND SERIAL I/O	01A3	35.18.41.2	+U A REG INH	D23M	B22J 113530
	TAPES AND SERIAL I/O	01A3	35.18.41.2	+U TRANSFER A REG DIG ZONE	D23P	D21J 113530
	TAPES AND SERIAL I/O	01A3	35.10.51.2	-T NOT A REG RESET TAPE	C24E	C15K 113530
	TAPES AND SERIAL I/O	01B2	31.08.11.2	-T NOT UNIT SELECT	C01K	C07K 113530
	TAPES AND SERIAL I/O	01B3	31.10.11.2	-T CLOCK CTRL	A03G	A04K 113530
	TAPES AND SERIAL I/O	01B6	35.30.31.2	-T NOT A REG ERROR RESET	E01Q	E05K 113530
	TAPES AND SERIAL I/O	02B1	74.11.71.2	+U WRITE CALL	D03M	D05M 114614
	TAPES AND SERIAL I/O	02B1	74.21.31.2	-T NOT PREVENT I STAR RD	F02G	F04K 114614
	TAPES AND SERIAL I/O	02B1	74.11.71.2	WRITE LATCH	B05D	B09M 114614
	TAPES AND SERIAL I/O	02B1	74.31.41.2	+U TAPE + I-O	D19B	D17M 114614
	TAPES AND SERIAL I/O	02B1	74.31.41.2	+U INLK PROC CTRL	D19F	D21M 114614
	TAPES AND SERIAL I/O	02B1	74.41.11.2	-T OVERLAP LOAD OPR	F01H	F04L 114614
	TAPES AND SERIAL I/O	02B1	74.41.11.2	-T UNIT SELECT	D03L	D06L 114614
	TAPES AND SERIAL I/O	02B1	74.21.01.2	-T NOT T + OVLP MODE	F21M	F19K 114614
	TAPES AND SERIAL I/O	02B1	74.21.01.2	+U T + I/O OVLP MODE	C17F	C17M 114614
	TAPES AND SERIAL I/O	02B1	74.21.01.2	+T TAPE + I/O OVLP MODE	C10E	C10L 114614
	TAPES AND SERIAL I/O	02B2	74.11.91.2	-T TAPE + I-O	E06E	E17L 114617
	TAPES AND SERIAL I/O	02B2	74.11.91.2	-T LD-ER-ID INLK	E06K	D18L 114617
	1311	01A3	35.10.51.2	-T A CYCLE	E18B	B15B 114177
	1311	01B2	31.20.11.2	-T A CYCLE LATCH	E24B	D26P 114178
	1311	02B6	41.50.51.2	-T I RING 3	A01D	B12E 114176
	1404	02B2	74.11.91.2	-T CF OPR TO OVLP	E06Q	D16L 114617
D	1404 OR CFC	01B4	36.01.21.2	-T A REG 0	E04M	E06L 117138
	1405	01A8	32.42.41.2	-T WRITE FILE LAST CHAR	C24P	C23J 113530
	1405	01A3	35.18.41.2	+U NOT FILE OP	D14G	F11M 114177
	1405 AND 1409	01B2	31.09.21.2	-T FILE OP	A03R	A06L 113530
	1405 AND 1311	01A3	35.18.41.2	+U NOT FILE OP	E23P	E21J 113530
	1405 AND 1311	01A7	32.33.31.2	+U NOT A FOR B SUBSTITUTE	F25M	F21J 112269G
	1405 AND 1311	02A8	75.01.09.2	-T FILE CHECK WITH HL-AND INQ	B17B	B17L 110324
	1405 AND 1311	02B6	41.50.01.2	-T NOT FILE PERCENT LATCH	C03L	C06K 113830
E	1405 AND 1311 AND 1409	01A6	36.31.51.2	+U CLOCK CONTROL RAVAC	D24K	E21J 114167
	1405 AND 1311 AND 1409	01B6	35.30.31.2	-T FILE ALLOW A REG CHK	C01A	C05K 113530
	1406	01A7	32.30.11.2	-U FULL STOR PRINT	F23D	F28J 112269G
	1406	01A7	42.61.01.2	+U UA ADDR REG	F23L	F21M 112269G
	1406	01A8	42.62.01.2	-T BLOCK-I MODIFY	B25B	B22L 113530
	1406	01A8	32.42.11.2	+U ADDR MOD +1	B25C	B21M 113530
	1406	01A8	42.62.04.2	-T SERIAL NOT UA	B24K	B20M 113530
	1406	01A8	42.62.04.2	-T SERIAL NOT UB	B24M	B20K 113530
	1406	01B1	44.62.02.2	+U GATED ADD MODIFY OPR	F06H	F06M 114132A
	1406	01B2	31.06.11.2	+U NOT ADDR MOD OPR	B02J	A07J 113530
	1406	01B3	34.31.15.2	-T MOD OP BLOCK NU CARRY	A01N	A04L 113530
	1406	01B3	34.31.15.2	-T NOT MODIFY BLOCK NUMERIC	F03M	F05K 113530
	1406	02D6	41.50.71.2	-T TIEDOWN 1,4,2+4K	B20P	B20L 114154
F	1407 AND 1447	02B6	41.50.01.2	-T NOT INQ A INDEX BLOCK	C03N	C07K 113830
	1447 AND 1407 AND 1311	01B2	31.21.11.2	-T SET DELTA I LATCH	F05A	F06L 113530
FEATURES OR STORAGE CONTAINED IN MACHINE		TIEDOWNS FOR VARIOUS STORAGE AND/OR FEATURES				
G	1.4K	01A7	42.61.03.2	+U UB ADDR REG	F23K	F22M 112269G
	1.4K	01A8	32.43.61.2	PREVENT HB MODIFICATION	D12B	D12L 113530
	1.4K	02A7	44.16.01.2	HB B AUX	A10E	D10L 1103204
	1.4K	02A7	44.16.01.2	HB A AUX	A10A	C10L 1103204
	2K	01A7	42.61.03.2	+U UB ADDR REG	F23K	F22M 112269G
	2K	01A8	32.43.61.2	PREVENT HB MODIFICATION	D12B	D12L 113530
	2K	02A7	44.16.01.2	HB B AUX	A10E	D10L 110320J
	2K	02A7	44.16.01.2	HB A AUX	A10A	C10L 110320J
	4K	01A7	42.61.03.2	+U UB ADDR REG	F23K	F22M 112269G
	4K	01A8	32.43.61.2	-T NOT 1K-2K CHAR CONTROL	D12P	D12K 113530
	8K	01A7	42.61.03.2	+U UB ADDR REG	F23K	F22M 112269G
	8K	01A8	32.43.61.2	-T NOT 1K-2K CHAR CONTROL	D12P	D12K 113530
H	12K	01A8	42.62.03.2	+T TIEDOWN FOR 12K ONLY	B02F	B02L 113530
	12K	01A8	32.43.61.2	-T NOT 1K-2K CHAR CONTROL	G12P	D12K 113530
	12K	01A8	32.44.41.2	+T TIEDOWN FOR 12K ONLY	B20C	B20L 113530
	16K	01A8	32.43.61.2	-T NOT 1K-2K CHAR CONTROL	D12P	D12K 113530
	1407 W/O APP	01A8	32.44.31.2	-U PREVENT I2 ZONE CHECK	B08D	B08M 113530
	1311 W/O APP	01A8	32.44.31.2	-U PREVENT I2 ZONE CHECK	B08D	B08M 113530
	1405 W/O APP	01A8	32.44.31.2	-U PREVENT I2 ZONE CHECK	B08D	B08M 113530
	1447 W/O APP	01A8	32.44.31.2	-U PREVENT I2 ZONE CHECK	B08D	B08M 113530
J	OVERLAP	01A8	32.42.11.2	-U BLK RP SCAN + 1 MOD	B02A	B02M 113530
		TIEDOWNS THAT HAVE BEEN OBSOLETE				
	1406	01A3	35.19.11.2	+U A REG SETA	F25K	F22M 113530 114177

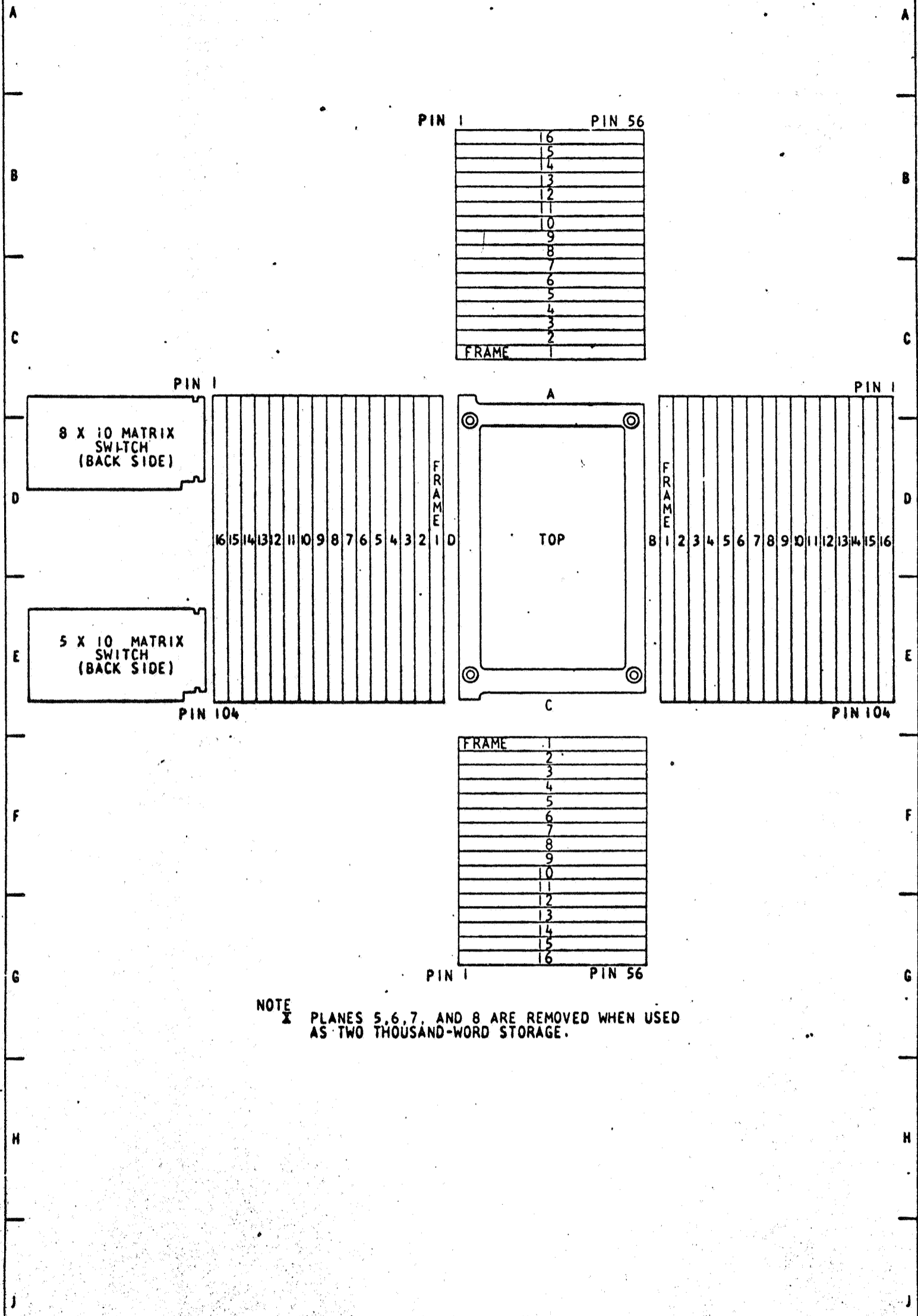
NOTE : ON STERLING MACHINES THIS TIE DOWN LIST IS REPLACED BY PART NO. 794 219

724523/2

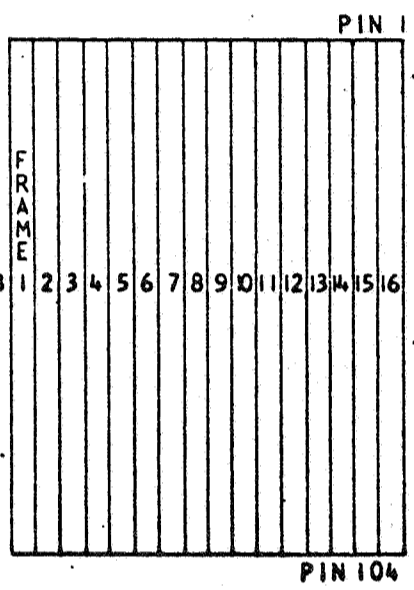
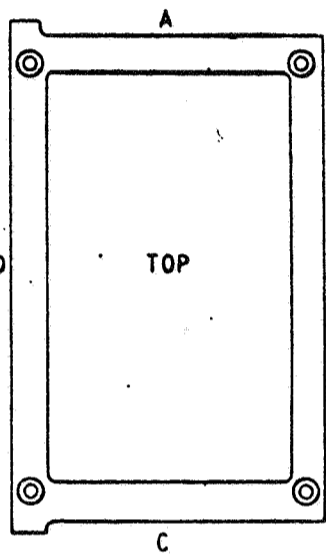
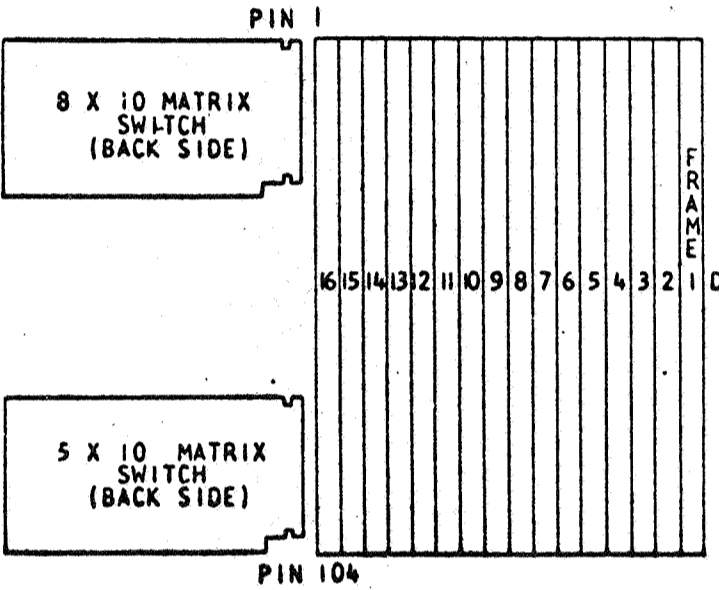
DATE 10. SEP 65
TA 32519

DATE	EC NO	DATE	EC NO	DATE	EC NO
9-25-62	116359	10-18-62	116369	10-30-62	116727
11-30-62	116778	1-3-63	116783	2-1-63	117134
3-27-63	117239	5-29-63	114195	6-12-63	114196
8-1-63	118316	11-12-64	121874	6-17-65	124221

STORAGE CORE FRAMES



PIN 1	16	PIN 56
	15	
	14	
	13	
	12	
	11	
	10	
	9	
	8	
	7	
	6	
	5	
	4	
	3	
	2	
FRAME	1	



FRAME	1
	2
	3
	4
	5
	6
	7
	8
	9
	10
	11
	12
	13
	14
	15
	16

NOTE X PLANES 5, 6, 7, AND 8 ARE REMOVED WHEN USED AS TWO THOUSAND-WORD STORAGE.

DATE 8.4.61	DATE 12.6.61	DATE	EC NO	DATE	EC NO	DATE	EC NO
TA 37697A	TA 37683A	11-23-60	110404	3-30-61	110432F		

722594

722655
REFERENCE DRAWING

5 X 10 MATRIX SWITCH

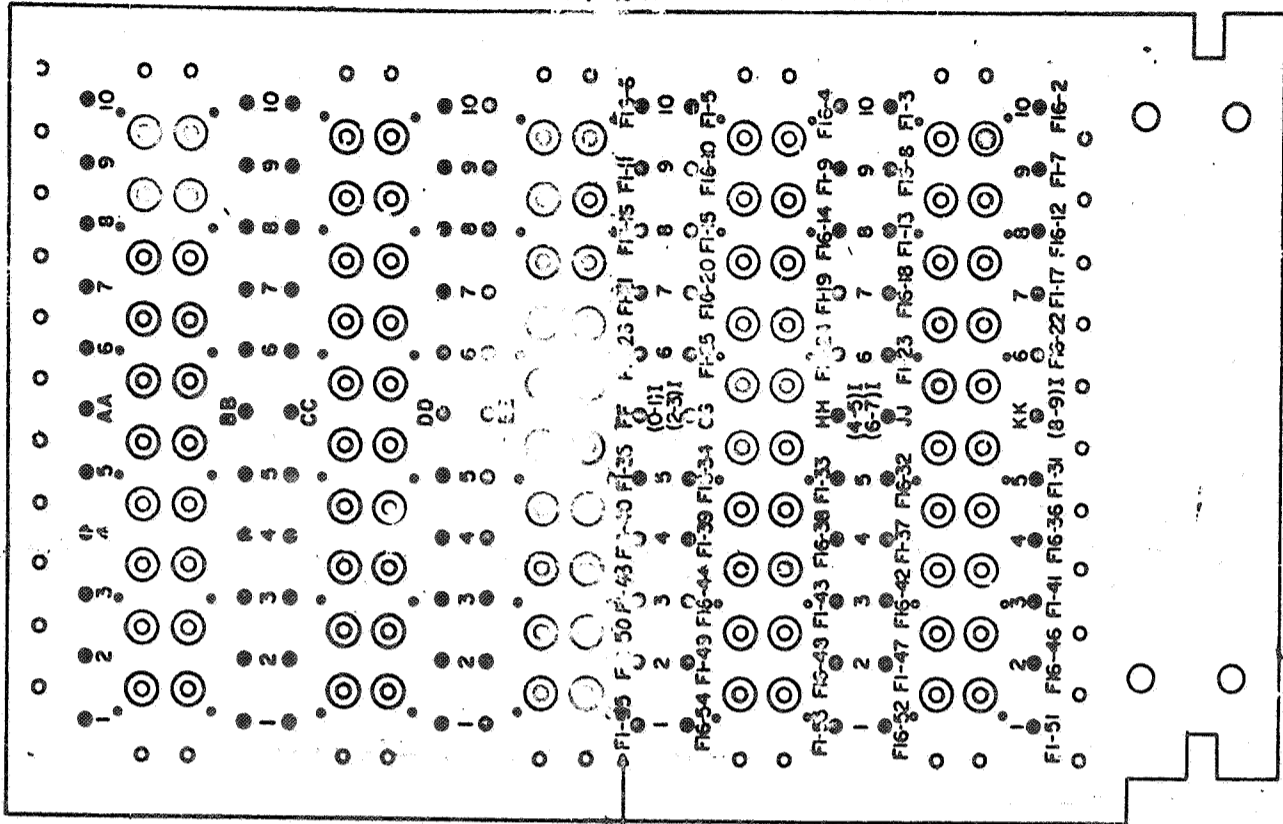
OIAI

42.40.21.2

TAG DATE
B 12.6.61
TA 37663A

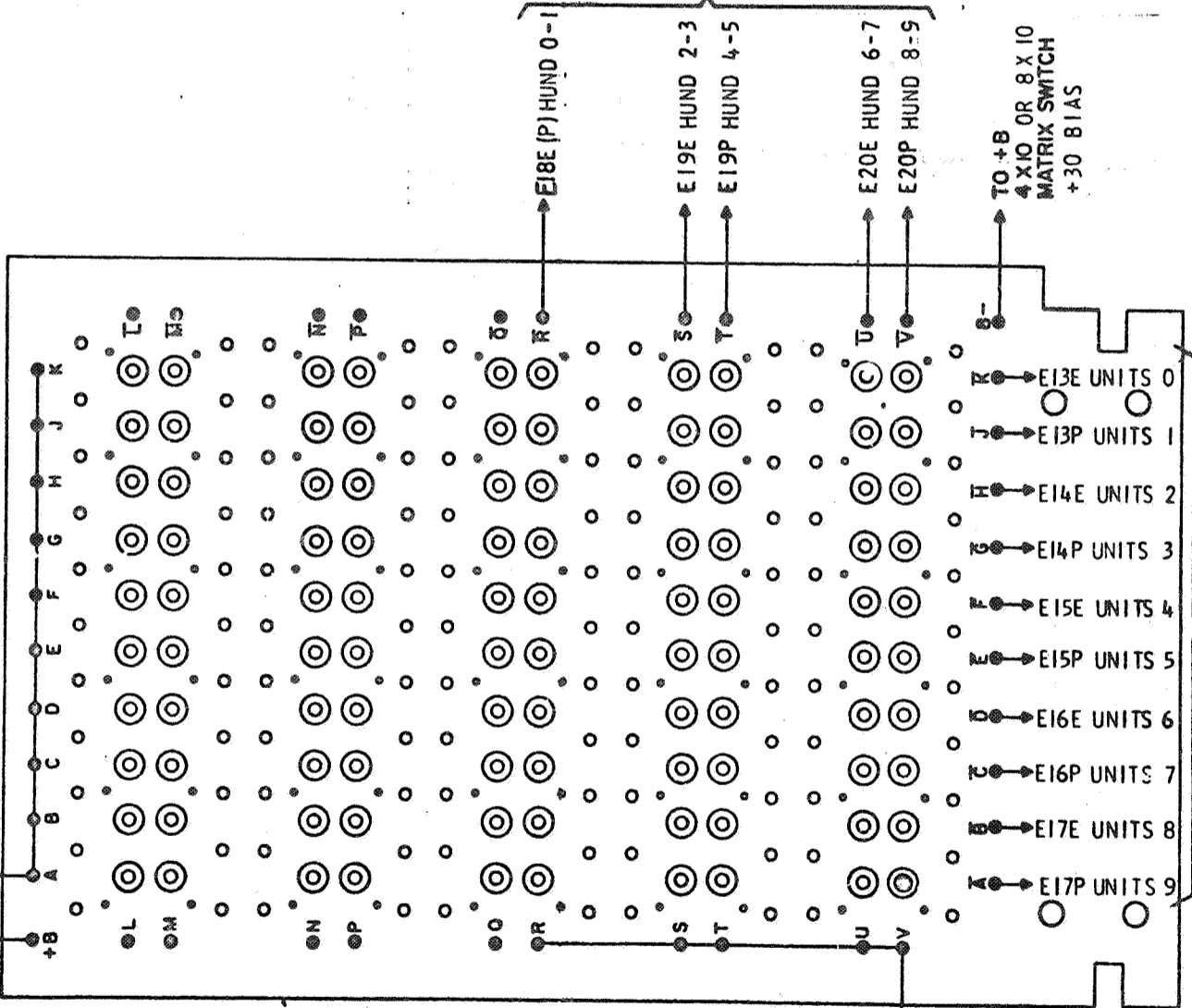
C 5.2.62
TA 1129

ALL WIRES GO TO SIDE C OF FRAME I AND IS
(0-1) = ZERO AND ONE HUNDREDS TERMINAL ON RESISTOR BOARD



BACK

FRAME I PIN 55
HUNDREDS DECODES
42.55.11.2



FRONT

HUNDREDS DRIVE
42.57.11.2

UNITS DRIVE
42.57.11.2

UNITS DECODE
42.53.11.2

DATE	EC NO	DATE	EC NO	DATE	EC NO
A 11-23-60	110104				
B 3-30-61	11012F				
C	110172				

722655
1129

722656
REFERENCE DRAWING

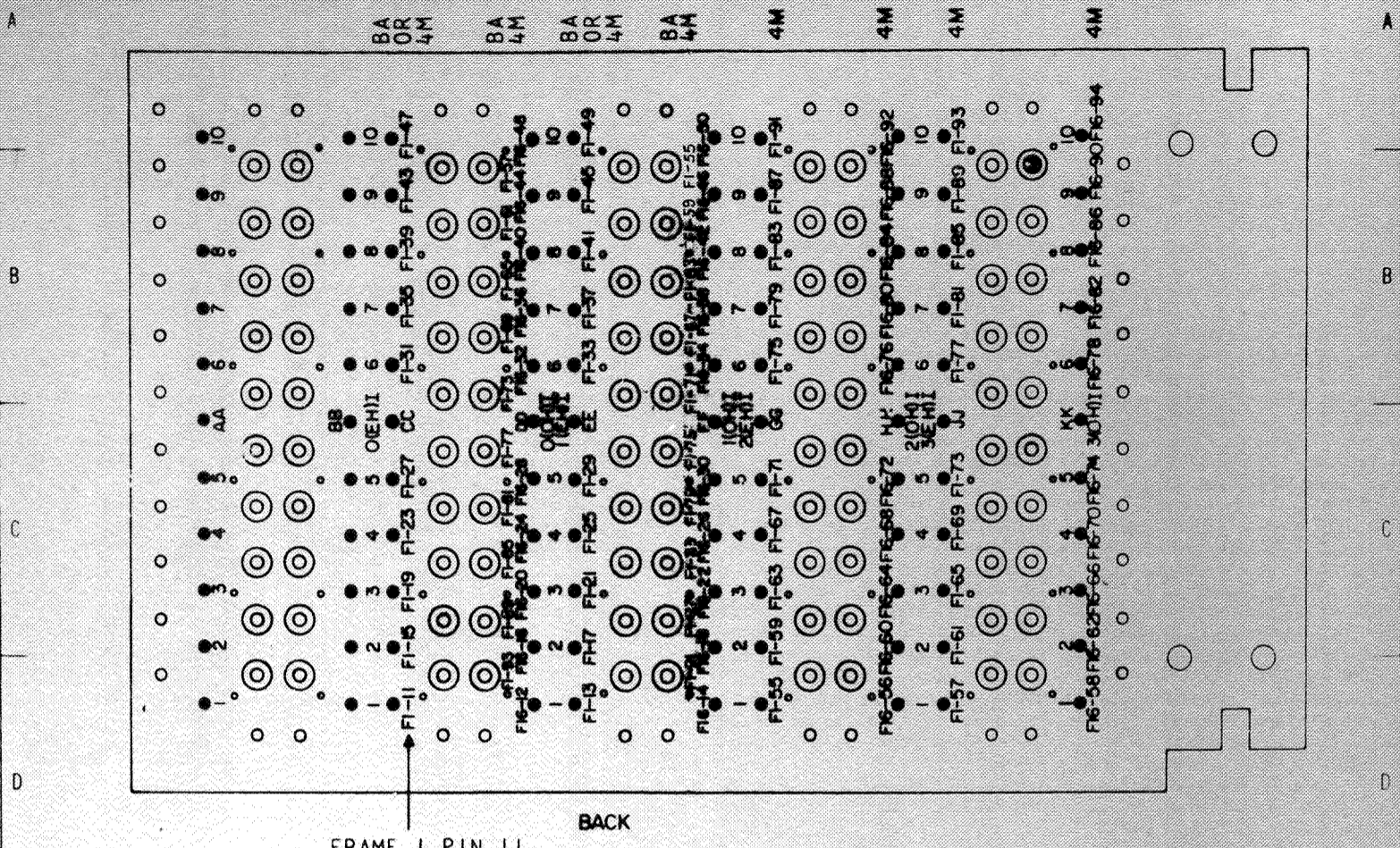
8 X 10 MATRIX SWITCH

01A1

42.40 31.2

TAG DATE
B 12.6.61
TA 37663A
C 5.2.62
TA 1129

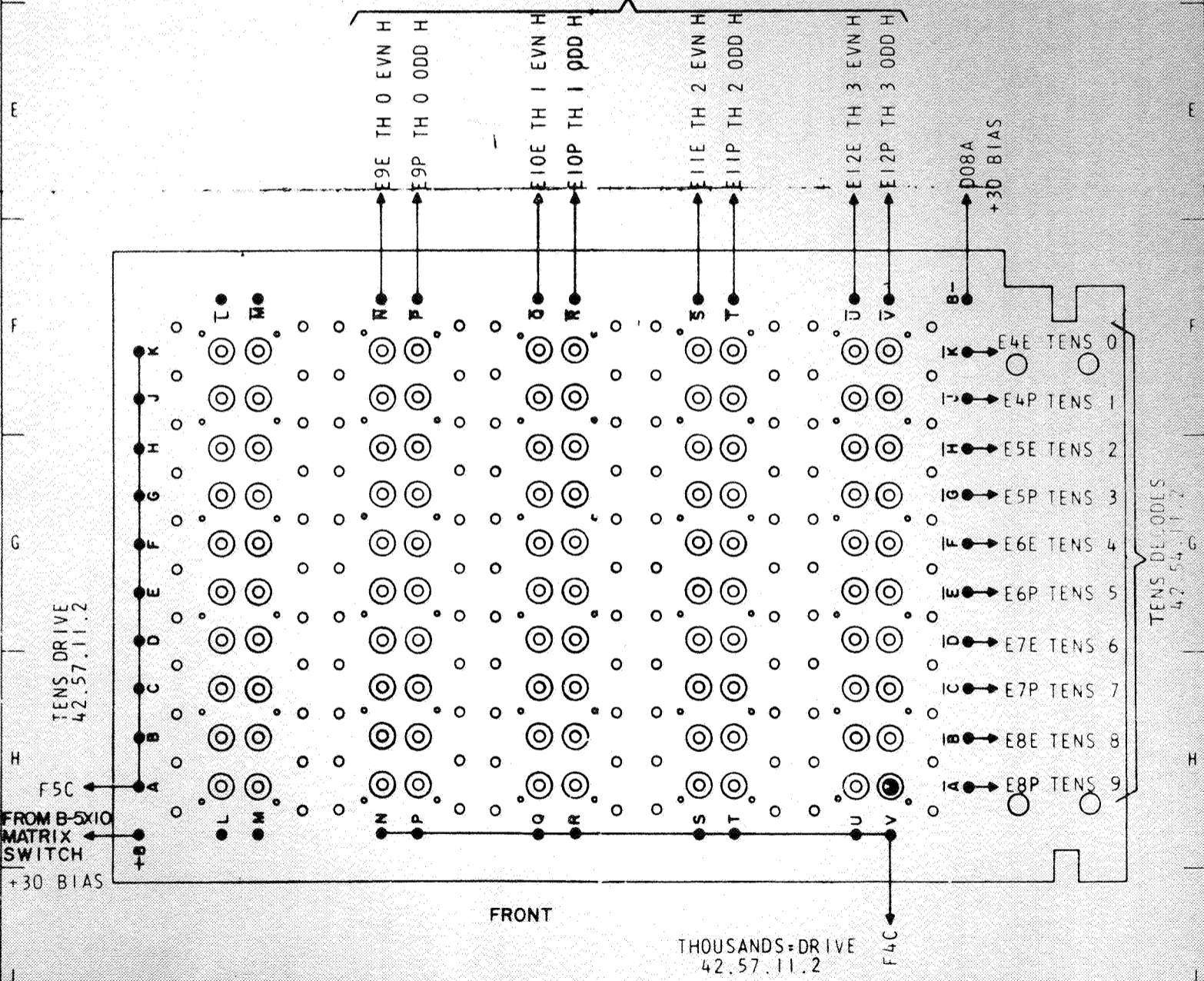
ALL WIRES GO TO SIDE D OF FRAMES 1 AND 16
O (EH) I=ZERO THOUSAND-EVEN HUNDREDS-I TERMINAL
I (OH) I=ONE THOUSAND-ODD HUNDREDS-I TERMINAL
BA INDICATES WIRING FOR 1,4 AND 2K GATES
4M INDICATES WIRING FOR 4K GATES



FRAME 1 PIN 11

BACK

THOUSANDS' DECODES
42.56.11.2



FRONT

THOUSANDS=DRIVE
42.57.11.2

DATE	EC NO	DATE	EC NO	DATE	EC NO
A 11-23-60	110404				
B 3-30-61	110432F				
C	112912				

722656

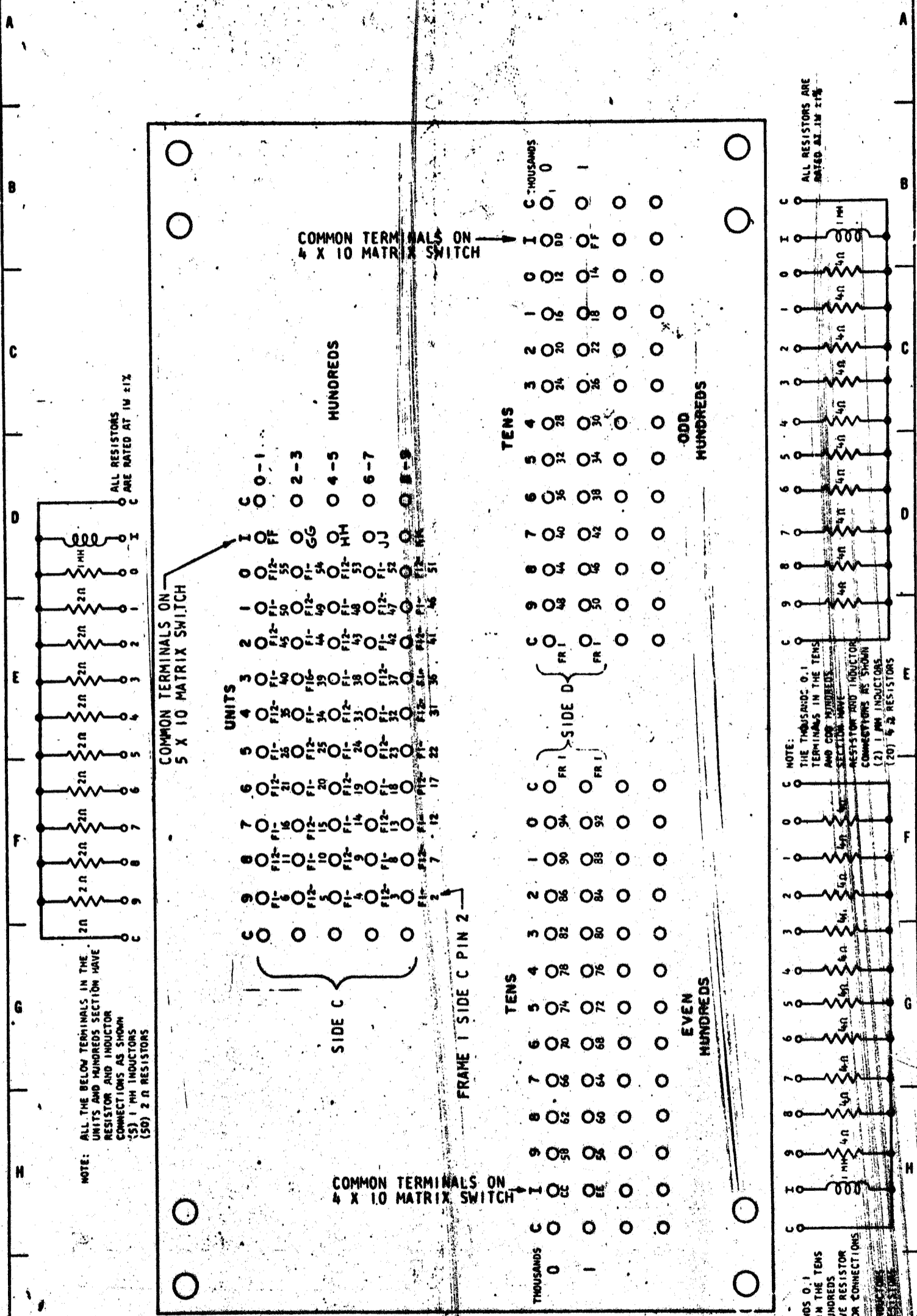
722,657
REFERENCE DRAWING

SWITCH CORE DRIVE
TERMINATING RESISTORS (2K)

OIAI

42.40.42.2

TAG DATE
B 12-6-61
TA 37663A
C 5-2-62
TA 1129

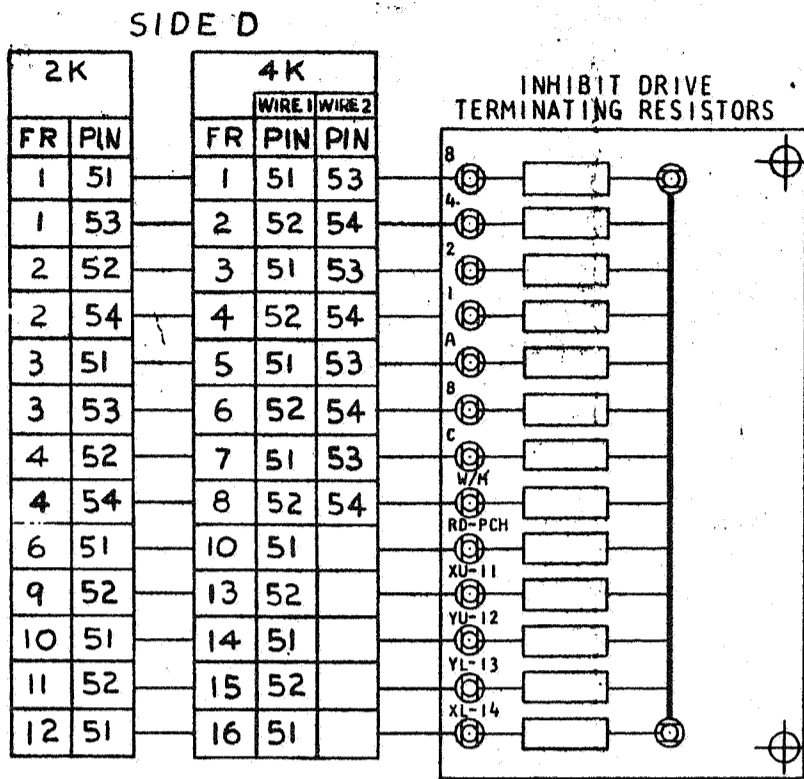


NOTE: ALL THE BELOW TERMINALS IN THE UNITS AND HUNDREDS SECTION HAVE RESISTOR AND INDUCTOR CONNECTIONS AS SHOWN (5) 1 MH INDUCTORS (50) 2 N RESISTORS

NOTE: THE THOUSANDS, 0.1 TERMINALS IN THE TENS AND EVEN HUNDREDS SECTION HAVE RESISTOR AND INDUCTOR CONNECTIONS AS SHOWN (2) 1 MH INDUCTORS (20) 2 N RESISTORS

DATE	EC NO	DATE	EC NO	DATE	EC NO
11-23-60	110404	3-30-61	110432F		
	112912				

722657
M29



NOTE 1 THE INHIBIT WINDINGS THROUGH THE ROW-BIT CORES ARE CONNECTED BY A JUMPER ON THE ARRAY.

	FROM	TO
4K	SIDE D FR 12 PIN 54	SIDE D FR 10 PIN 52
2K	SIDE D FR 8 PIN 54	SIDE D FR 6 PIN 52

DATE	EC NO	DATE	EC NO	DATE	EC NO
A 11-23-60	110404				
B 3-30-61	110432F				
C	112912				

722596
 M129
 112912

481376
REFERENCE DRAWING

CONNECTIONS BETWEEN ROW BIT CORES AND READ BRUSHES OIAI 42.40.51.1

DUPLICATE

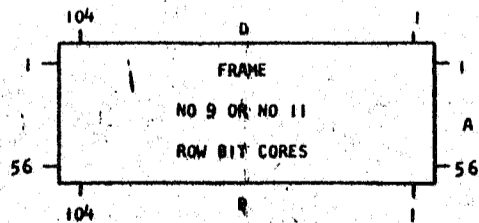
TAG DATE

B 12.6.61
TA 37663A

C 5.2.62
TA 1129

	NO 1 BRUSH	RC CONN	EDGE CONN OIAI	CORE FRAME NO 11	NO 2 BRUSH	RC CONN	EDGE CONN OIAI	CORE FRAME NO 9	PCH CHK BRUSH	PC CONN	EDGE CONN OIAI	CORE FRAME NO 9	
A	1	1	G01-A	A52	1	81	G06-A	A49	1	81	G11-A	A51	A
	2	2	G01-B	A46	2	82	G06-B	A44	2	82	G11-B	A46	
	3	3	G01-C	A40	3	83	G06-C	A39	3	83	G11-C	A41	
	4	4	G01-D	A34	4	84	G06-D	A34	4	84	G11-D	A36	
	5	5	G01-E	A28	5	85	G06-E	A27	5	85	G11-E	A29	
	6	6	G01-F	A22	6	86	G06-F	A22	6	86	G11-F	A24	
	7	7	G01-G	A16	7	87	G06-G	A17	7	87	G11-G	A19	
	8	8	G01-H	A10	8	88	G06-H	A12	8	88	G11-H	A14	
	9	9	G01-J	A4	9	89	G06-J	A7	9	89	G11-J	A9	
	10	10	G01-K	A56	10	90	G06-K	A54	10	90	G11-K	A52	
	11	11	G01-L	A55	11	91	G06-L	A48	11	91	G11-L	A47	
	12	12	G01-M	A49	12	92	G06-M	A43	12	92	G11-M	A42	
	13	13	G01-N	A43	13	93	G06-N	A38	13	93	G11-N	A37	
	14	14	G01-P	A37	14	94	G06-P	A33	14	94	G11-P	A32	
	15	15	G01-Q	A31	15	95	G06-Q	A26	15	95	G11-Q	A25	
	16	16	G01-R	A25	16	96	G06-R	A21	16	96	G11-R	A20	
B	17	17	G02-A	A19	17	97	G07-A	A16	17	97	G12-A	A15	B
	18	18	G02-B	A13	18	98	G07-B	A11	18	98	G12-B	A10	
	19	19	G02-C	A7	19	99	G07-C	A6	19	99	G12-C	A5	
	20	20	G02-D	85	20	100	G07-D	A53	20	100	G12-D	839	
	21	21	G02-E	88	21	101	G07-E	A50	21	101	G12-E	840	
	22	22	G02-F	811	22	102	G07-F	A45	22	102	G12-F	841	
	23	23	G02-G	814	23	103	G07-G	A40	23	103	G12-G	842	
	24	24	G02-H	817	24	104	G07-H	A35	24	104	G12-H	843	
	25	25	G02-J	815	25	105	G07-J	A28	25	105	G12-J	839	
	26	26	G02-K	812	26	106	G07-K	A23	26	106	G12-K	840	
	27	27	G02-L	809	27	107	G07-L	A18	27	107	G12-L	841	
	28	28	G02-M	806	28	108	G07-M	A13	28	108	G12-M	842	
	29	29	G02-N	803	29	109	G07-N	A8	29	109	G12-N	843	
	30	30	G02-P	820	30	110	G07-P	811	30	110	G12-P	844	
	31	31	G02-Q	823	31	111	G07-Q	812	31	111	G12-Q	845	
	32	32	G02-R	826	32	112	G07-R	813	32	112	G12-R	846	
	33	33	G03-A	829	33	113	G08-A	814	33	113	G13-A	847	
	34	34	G03-B	831	34	114	G08-B	815	34	114	G13-B	848	
	35	35	G03-C	825	35	115	G08-C	811	35	115	G13-C	844	
	36	36	G03-D	823	36	116	G08-D	812	36	116	G13-D	845	
	37	37	G03-E	821	37	117	G08-E	813	37	117	G13-E	846	
	38	38	G03-F	819	38	118	G08-F	814	38	118	G13-F	847	
	39	39	G03-G	817	39	119	G08-G	815	39	119	G13-G	848	
	40	40	G03-H	833	40	120	G08-H	816	40	120	G13-H	849	
	41	41	G03-J	835	41	121	G08-J	817	41	121	G13-J	850	
	42	42	G03-K	837	42	122	G08-K	818	42	122	G13-K	851	
	43	43	G03-L	839	43	123	G08-L	819	43	123	G13-L	852	
D	44	44	G03-M	841	44	124	G08-M	820	44	124	G13-M	853	D
	45	45	G03-N	835	45	125	G08-N	816	45	125	G13-N	849	
	46	46	G03-P	833	46	126	G08-P	817	46	126	G13-P	850	
	47	47	G03-Q	831	47	127	G08-Q	818	47	127	G13-Q	851	
	48	48	G03-R	829	48	128	G08-R	819	48	128	G13-R	852	
	49	49	G04-A	827	49	129	G09-A	820	49	129	G14-A	853	
	50	50	G04-B	843	50	130	G09-B	821	50	130	G14-B	854	
	51	51	G04-C	845	51	131	G09-C	822	51	131	G14-C	855	
	52	52	G04-D	847	52	132	G09-D	823	52	132	G14-D	856	
	53	53	G04-E	849	53	133	G09-E	824	53	133	G14-E	857	
	54	54	G04-F	851	54	134	G09-F	825	54	134	G14-F	858	
	55	55	G04-G	845	55	135	G09-G	821	55	135	G14-G	854	
	56	56	G04-H	843	56	136	G09-H	822	56	136	G14-H	855	
E	57	57	G04-J	841	57	137	G09-J	823	57	137	G14-J	856	E
	58	58	G04-K	839	58	138	G09-K	824	58	138	G14-K	857	
	59	59	G04-L	837	59	139	G09-L	825	59	139	G14-L	858	
	60	60	G04-M	854	60	140	G09-M	826	60	140	G14-M	859	
	61	61	G04-N	856	61	141	G09-N	827	61	141	G14-N	860	
	62	62	G04-P	858	62	142	G09-P	828	62	142	G14-P	861	
	63	63	G04-Q	860	63	143	G09-Q	829	63	143	G14-Q	862	
	64	64	G04-R	862	64	144	G09-R	830	64	144	G14-R	863	
	65	65	G05-A	856	65	145	G10-A	826	65	145	G15-A	859	
	66	66	G05-B	854	66	146	G10-B	827	66	146	G15-B	860	
	67	67	G05-C	851	67	147	G10-C	828	67	147	G15-C	861	
	68	68	G05-D	849	68	148	G10-D	829	68	148	G15-D	862	
	69	69	G05-E	847	69	149	G10-E	830	69	149	G15-E	863	
	70	70	G05-F	864	70	150	G10-F	831	70	150	G15-F	864	
F	71	71	G05-G	866	71	151	G10-G	832	71	151	G15-G	865	F
	72	72	G05-H	868	72	152	G10-H	833	72	152	G15-H	866	
	73	73	G05-J	870	73	153	G10-J	834	73	153	G15-J	867	
	74	74	G05-K	872	74	154	G10-K	835	74	154	G15-K	868	
	75	75	G05-L	866	75	155	G10-L	831	75	155	G15-L	864	
	76	76	G05-M	864	76	156	G10-M	832	76	156	G15-M	865	
	77	77	G05-N	862	77	157	G10-N	833	77	157	G15-N	866	
	78	78	G05-P	860	78	158	G10-P	834	78	158	G15-P	867	
	79	79	G05-Q	858	79	159	G10-Q	835	79	159	G15-Q	868	
	80	80	G05-R	874	80	160	G10-R	836	80	160	G15-R	869	

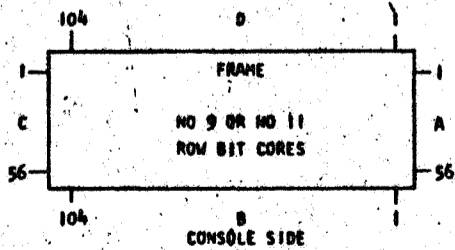
NOTE:
ALL BRUSH SIGNAL LINES HAVE A 180 OHM SERIES RESISTOR BEFORE OIAI
EDGE CONNECTOR TERMINATION ON THE PADDLE CARD CONNECTOR



DATE	EC NO	DATE	EC NO	DATE	EC NO
5-4-60	108950				
A 1-26-61	110423				
B 3-30-61	110432F				
C 9-5-61	112257				
	112912				

481376
M29

	PRINT MAGNETS	EDGE CONN OIBS	EDGE CONN OIAI	CORE FRAME NO 11	PRINT MAGNETS	EDGE CONN OIBS	EDGE CONN OIAI	EDGE CONN OIAI	EDGE FRAME NO 11
A	1	A14A	G17A	A50	67	A20G	G23G		D50
	2	A15A	G18A	A44	68	A21G	G24G		D48
	3	A16A	G19A	A38	69	A22G	G25G		D46
	4	A17A	G20A	A32	70	A18Q	G21Q		D65
	5	A18A	G21A	A26	71	A14H	G17H		D67
	6	A19A	G22A	A20	72	A15H	G18H		D69
	7	A20A	G23A	A14	73	A16H	G19H		D71
	8	A21A	G24A	A8	74	A17H	G20H		D73
	9	A22A	G25A	A2	75	A18H	G21H		D65
	10	A14R	G17R	B3	76	A19H	G22H		D63
	11	A14B	G17B	A53	77	A20H	G23H		D61
	12	A15B	G18B	A47	78	A21H	G24H		D59
	13	A16B	G19B	A41	79	A22H	G25H		D57
	14	A17B	G20B	A35	80	A18R	G21R		D75
	15	A18B	G21B	A29	81	A14K	G17K		D76
	16	A19B	G22B	A23	82	A15K	G18K		D77
	17	A20B	G23B	A17	83	A16K	G19K		D78
	18	A21B	G24B	A11	84	A17K	G20K		D79
	19	A22B	G25B	A5	85	A18K	G21K		D71
	20	A15R	G18R	B6	86	A19K	G22K		D70
	21	A14C	G17C	B9	87	A20K	G23K		D69
	22	A15C	G18C	B12	88	A21K	G24K		D68
	23	A16C	G19C	B15	89	A22K	G25K		D67
	24	A17C	G20C	B18	90	A18Q	G21Q		D80
	25	A18C	G21C	D13	91	A14L	G17L		D81
	26	A19C	G22C	D10	92	A15L	G18L		D82
	27	A20C	G23C	D7	93	A16L	G19L		D83
	28	A21C	G24C	D4	94	A17L	G20L		D84
	29	A22C	G25C	A1	95	A18L	G21L		D76
	30	A16Q	G19Q	B21	96	A19L	G22L		D75
	31	A14D	G17D	B24	97	A20L	G23L		D74
	32	A15D	G18D	B27	98	A21L	G24L		D73
	33	A16D	G19D	B30	99	A22L	G25L		D72
	34	A17D	G20D	B32	100	A19R	G22R		D82
	35	A18D	G21D	D24	101	A14M	G17M		A51
	36	A19D	G22D	D22	102	A15M	G18M		A45
	37	A20D	G23D	D20	103	A16M	G19M		A39
	38	A21D	G24D	D18	104	A17M	G20M		A33
	39	A22D	G25D	D16	105	A18M	G21M		A27
	40	A16R	G19R	B34	106	A19M	G22M		A21
	41	A14E	G17E	B36	107	A20M	G23M		A15
	42	A15E	G18E	B38	108	A21M	G24M		A9
	43	A16E	G19E	B40	109	A22M	G25M		A3
	44	A17E	G20E	B42	110	A20Q	G23Q		B4
	45	A18E	G21E	D34	111	A14N	G17N		A54
	46	A19E	G22E	D32	112	A15N	G18N		A48
	47	A20E	G23E	D30	113	A16N	G19N		A42
	48	A21E	G24E	D28	114	A17N	G20N		A36
	49	A22E	G25E	D26	115	A18N	G21N		A30
	50	A17Q	G20Q	B44	116	A19N	G22N		A24
	51	A14F	G17F	B46	117	A20N	G23N		A18
	52	A15F	G18F	B48	118	A21N	G24N		A12
	53	A16F	G19F	B50	119	A22N	G25N		A6
	54	A17F	G20F	B52	120	A20R	G23R		B7
	55	A18F	G21F	D44	121	A14P	G17P		B10
	56	A19F	G22F	D42	122	A15P	G18P		B13
	57	A20F	G23F	D40	123	A16P	G19P		B16
	58	A21F	G24F	D38	124	A17P	G20P		B19
	59	A22F	G25F	D36	125	A18P	G21P		D14
	60	A17R	G20R	B55	126	A19P	G22P		D11
	61	A14G	G17G	B57	127	A20P	G23P		D8
	62	A15G	G18G	B59	128	A21P	G24P		D5
	63	A16G	G19G	B61	129	A22P	G25P		D2
	64	A17G	G20G	B63	130	A21Q	G24Q		D22
	65	A18G	G21G	D55	131	A14Q	G17Q		D25
	66	A19G	G22G	D53	132	A15Q	G18Q		D28



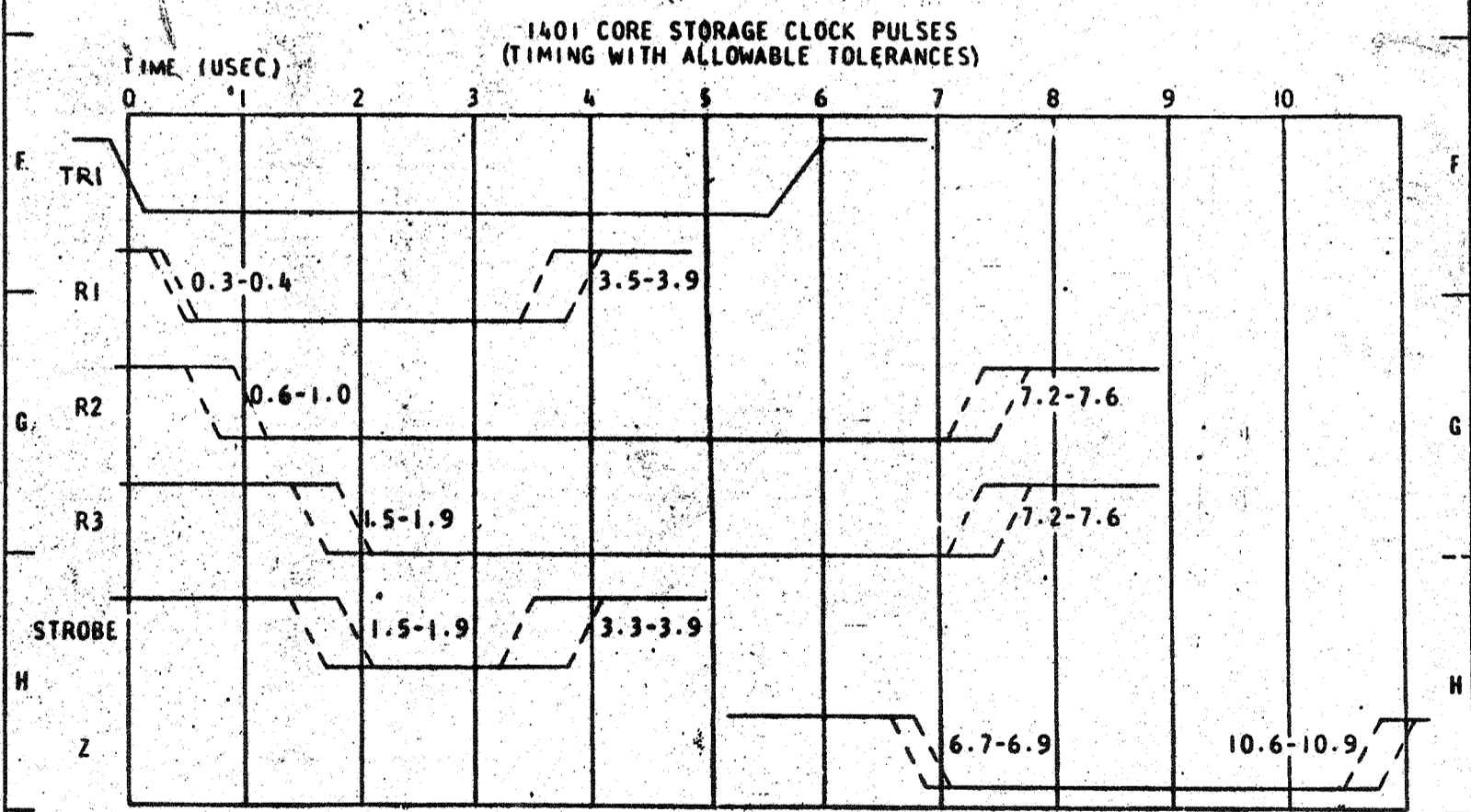
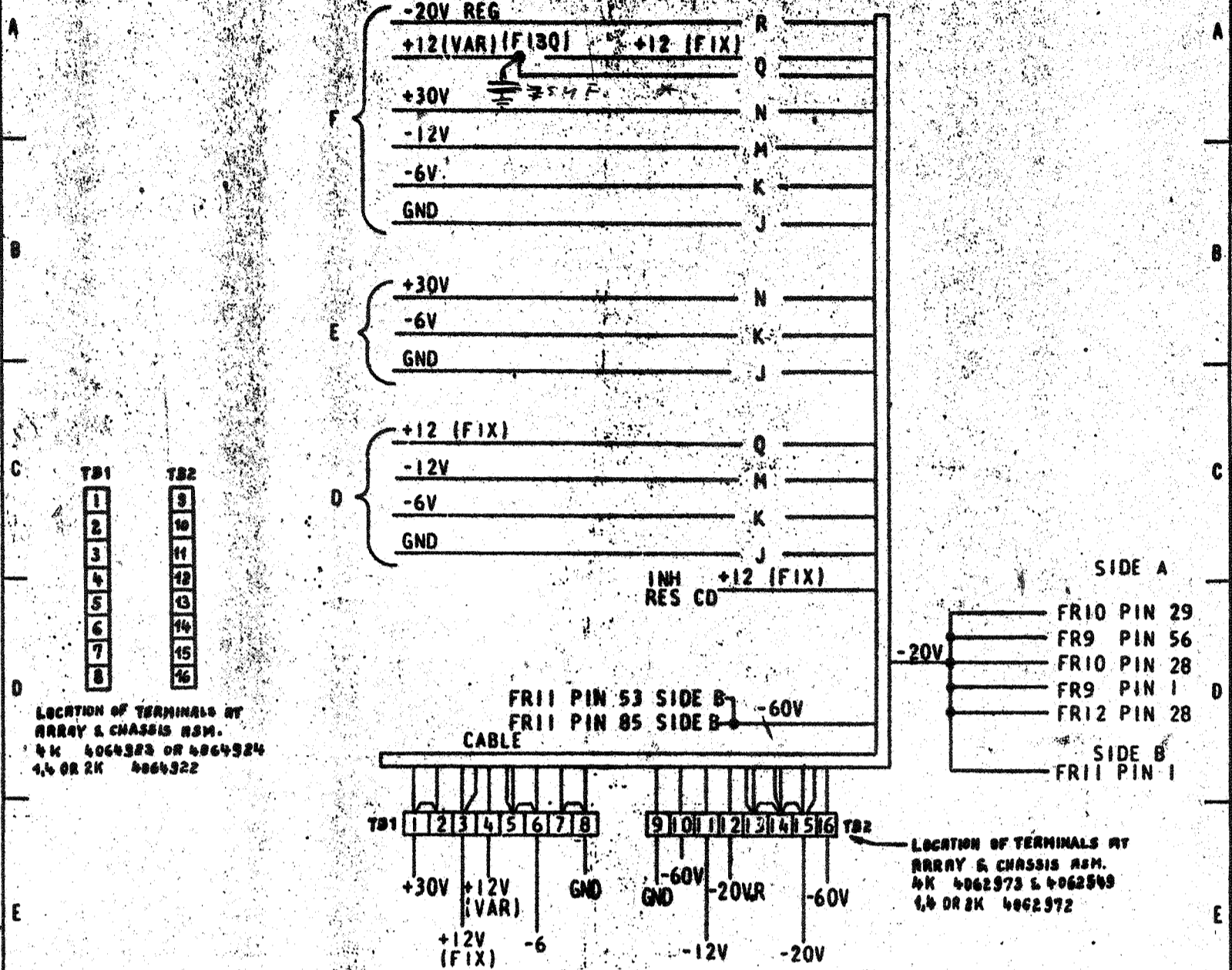
481377
M29

DATE	EC NO	DATE	EC NO	DATE	EC NO
5-4-60	108950	11-22-60	110279	3-30-61	110432F

112912

VOLTAGE DISTRIBUTION-BASIC MEMORY

* BM 486016



NOTE 1 DELAYS ARE MEASURED AT THE 50% LEVELS

DATE	EC NO	DATE	EC NO	DATE	EC NO
A 11-23-60	110404				
B 1-26-61	110423				
C 3-30-61	110432F				
	112912				

1429
722595

724526
REFERENCE DRAWING

CONNECTIONS BETWEEN ROW BIT CORES
AND 1404 READ BRUSHES

O1A1

42,40.54.1

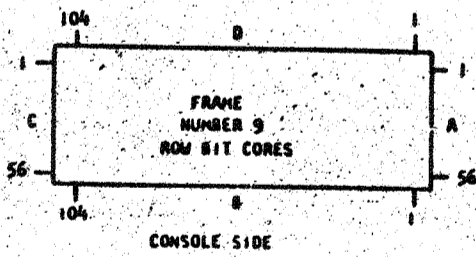
TAG DATE

R 7.12.62
TA 1461

STORAGE LOCATION	COMPARE CONNECTOR	EDGE CONNECTOR O1A1	CORE FRAME PLANE NUMBER 9
0334	01	G26-A	870
0335	02	G26-B	869
0336	03	G26-C	870
0337	04	G26-D	871
0338	05	G26-E	872
0339	07	G26-F	873
0340	08	G26-G	871
0341	10	G26-H	872
0342	11	G26-J	873
0343	12	G26-K	874
0344	13	G26-L	875
0345	14	G26-M	874
0346	15	G26-N	875
0347	16	G26-P	876
0348	17	G26-Q	877
0349	18	G26-R	878
0350	20	G16-A	876
0351	21	G16-B	877
0352	22	G16-C	878
0353	23	G16-D	879
0354	24	G16-E	880
0355	25	G16-F	879
0356	26	G16-G	880
0357	27	G16-H	881
0358	28	G16-J	882
0359	29	G16-K	883
0360	30	G16-L	884
0361	31	G16-M	882
0362	32	G16-N	883
0363	33	G16-P	884
"	NOTE 1	G16-Q	801
"	NOTE 1	G16-R	830

NOTES

- 1 A 1.5 AMP FUSE IS MOUNTED ON THE PADDLE CARD TO FUSE THE 20 VOLTS SUPPLIED TO THE ROW BITS FOR THE 1404 COMPARE FEATURE.
- 2 ALL BRUSH SIGNAL LINES HAVE A 220 OHM SERIES RESISTOR BEFORE O1A1 EDGE CONNECTOR TERMINATION ON THE PADDLE CARD CONNECTOR.



DATE	EC NO	DATE	EC NO	DATE	EC NO
10-8-62 R	116160				

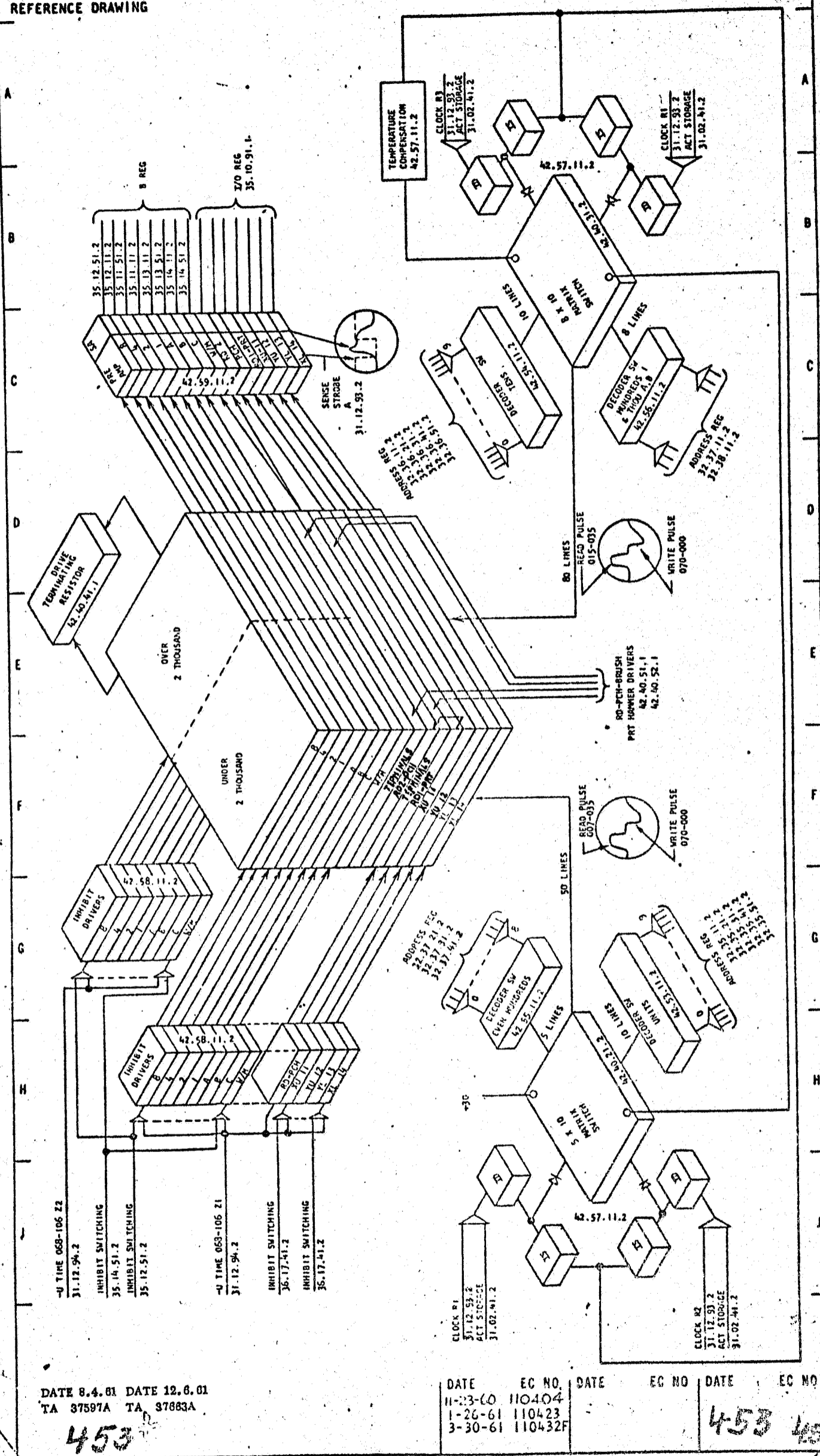
724520

722805
REFERENCE DRAWING

4K STORAGE BLOCK DIAGRAM

OIAI

42.41.11.2



DATE 8.4.61 DATE 12.6.61
TA 37597A TA 37883A

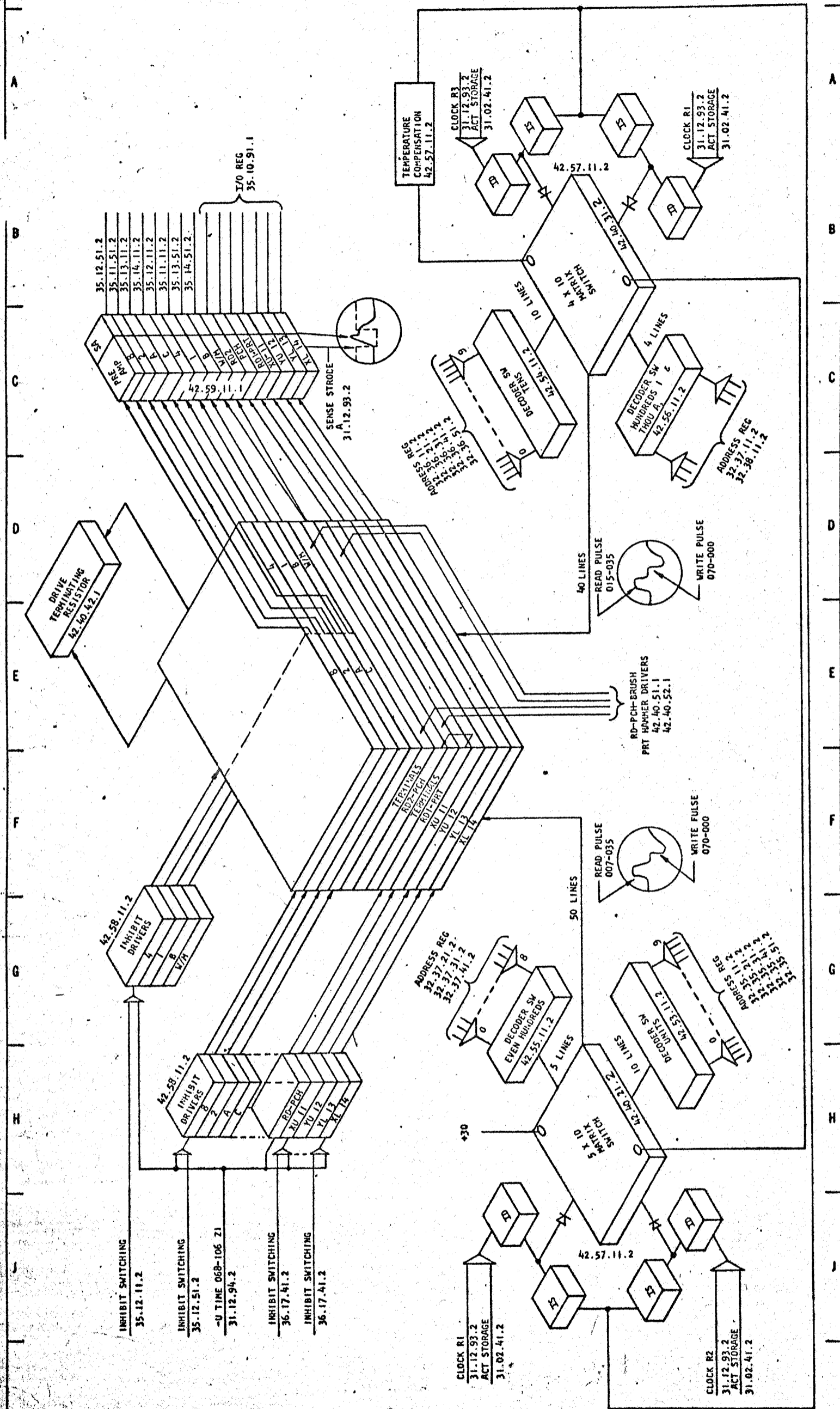
453

DATE	EC NO.	DATE	EC NO.	DATE	EC NO.
11-23-60	110404	1-26-61	110423	3-30-61	110432F

453

722805

370003



DATE 8.4.61 DATE 12.8.61
TA 87597A TA 87683A

454

DATE	EC NO	DATE	EC NO	DATE	EC NO
11-23-60	110404				
1-26-61	110423				
3-30-61	110432F				

37663A
722659

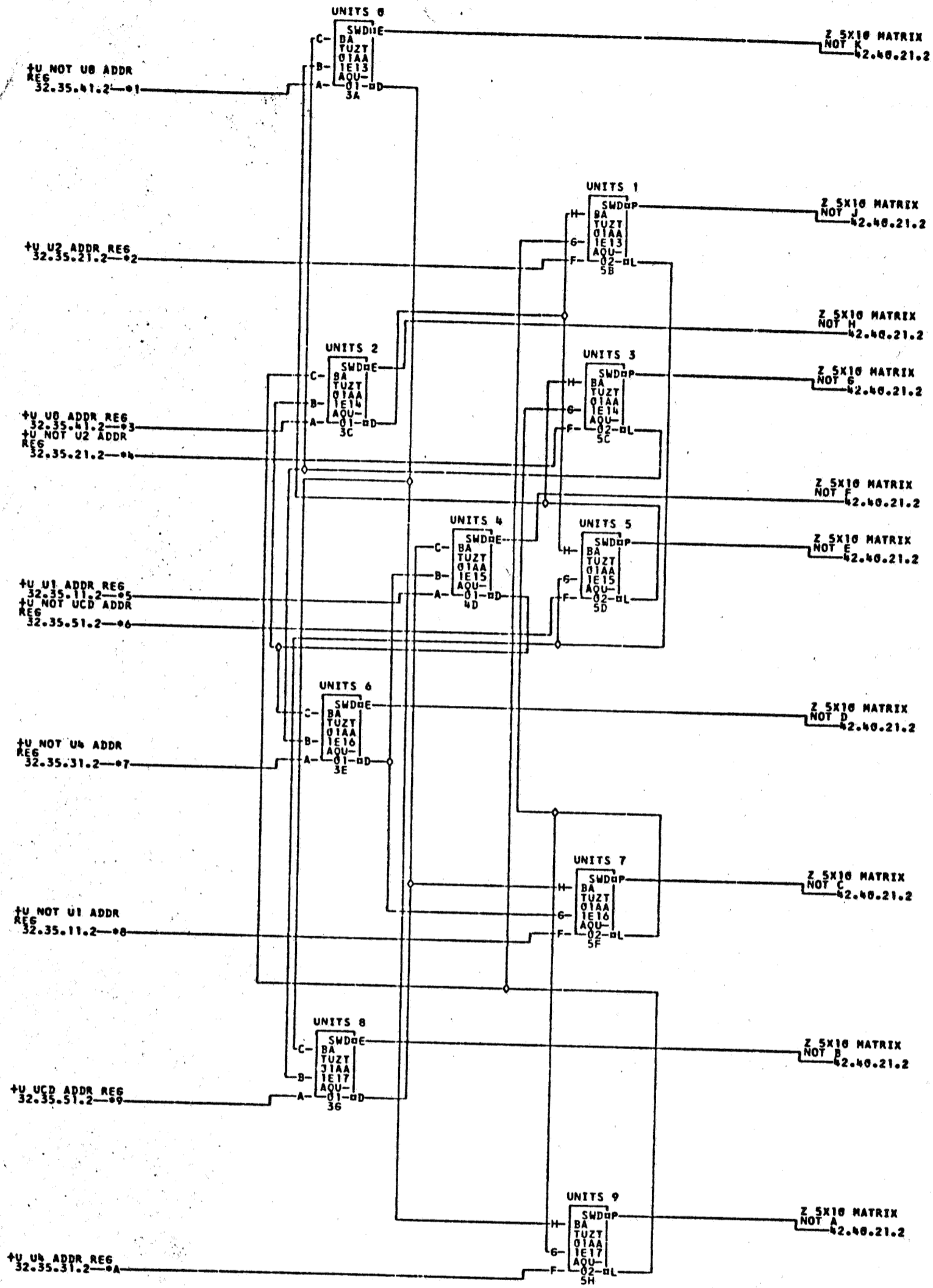
454

0723780

UNITS DECODE SWITCH

1401 BA 42.53.11.2

TAG DAT



A 5.2.62
TA 1129
B 12.3.63
TA 1775

*1-01A1E02D
*7-01A1E02C

*2-01A1E01B
*8-01A1E02A

*3-01A1E01D
*9-01A1E01E

*4-01A1E02B
*A-01A1E01C

*5-01A1E01A

*6-01A1E02E

COMMENTS

TAG DATE	E.C.NO.	TAG DATE	E.C.NO.	TAG DATE	E.C.NO.	TAG DATE	E.C.NO.
A 11-13-61	112912	B 12-07-62	116749				

723780

0723781

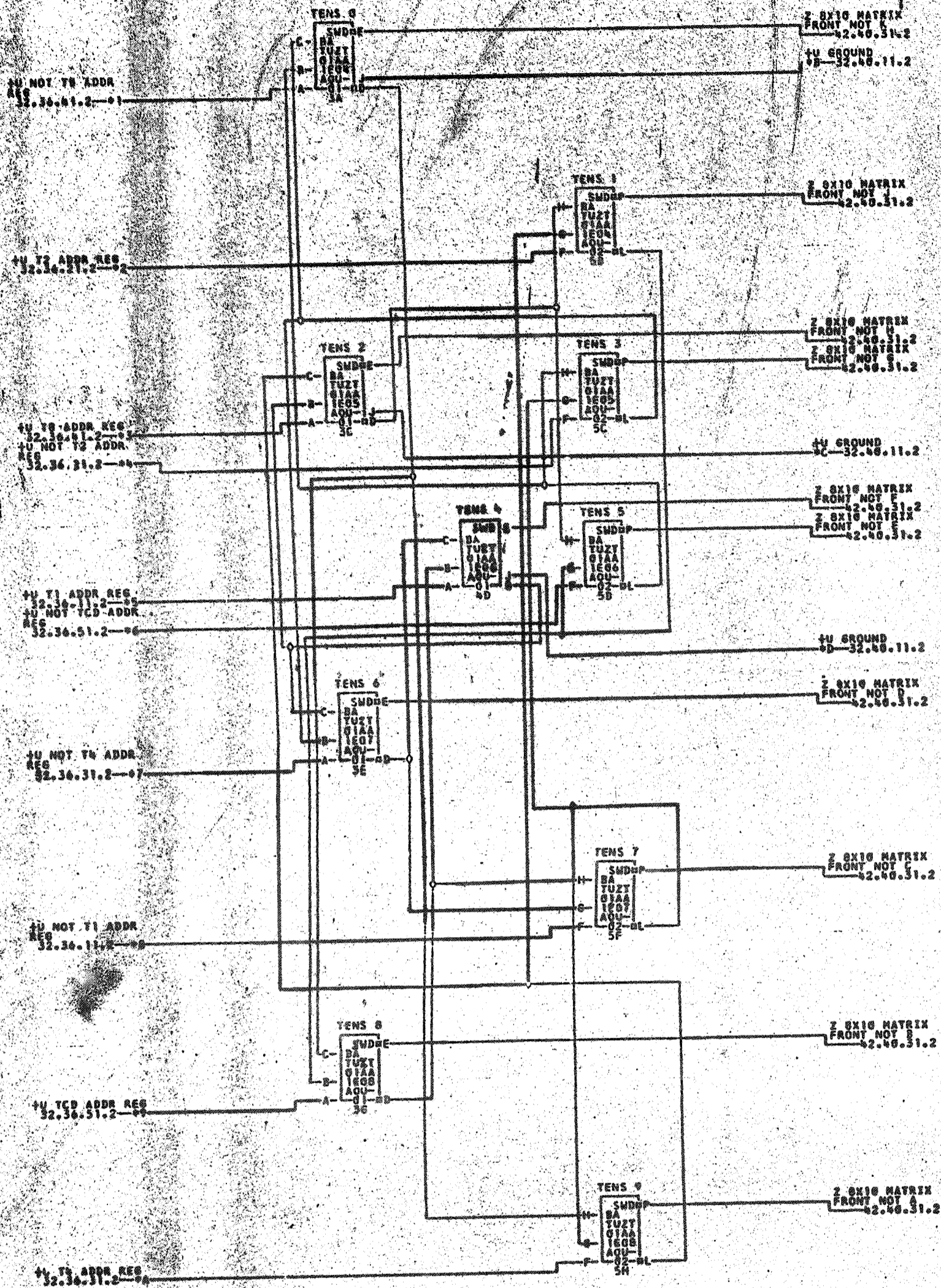
TENS DECODE SWITCH

1601 BA 42.54.11.2

TAG DATE

A 5.2.62
TA 1129

B 12.3.63
TA 1775



01-01A1E02K
02-01A1E03H
03-01A1E03J

04-01A1E019
05-01A1E027
06-01A1E034

07-01A1E01K
08-01A1E01L
09-01A1E02J

10-01A1E026
11-01A1E028
12-01A1E029

13-01A1E015
14-01A1E015

15-01A1E025
16-01A1E025

COMMENTS

TAG DATE	F.C. NO.	TAG DATE	F.C. NO.	TAG DATE	F.C. NO.	TAG DATE	F.C. NO.	TAG DATE	F.C. NO.
A 11-13-61	112912	B 12-3-63	112919						

723781

0723782

HUNDREDS DECODE SWITCHES

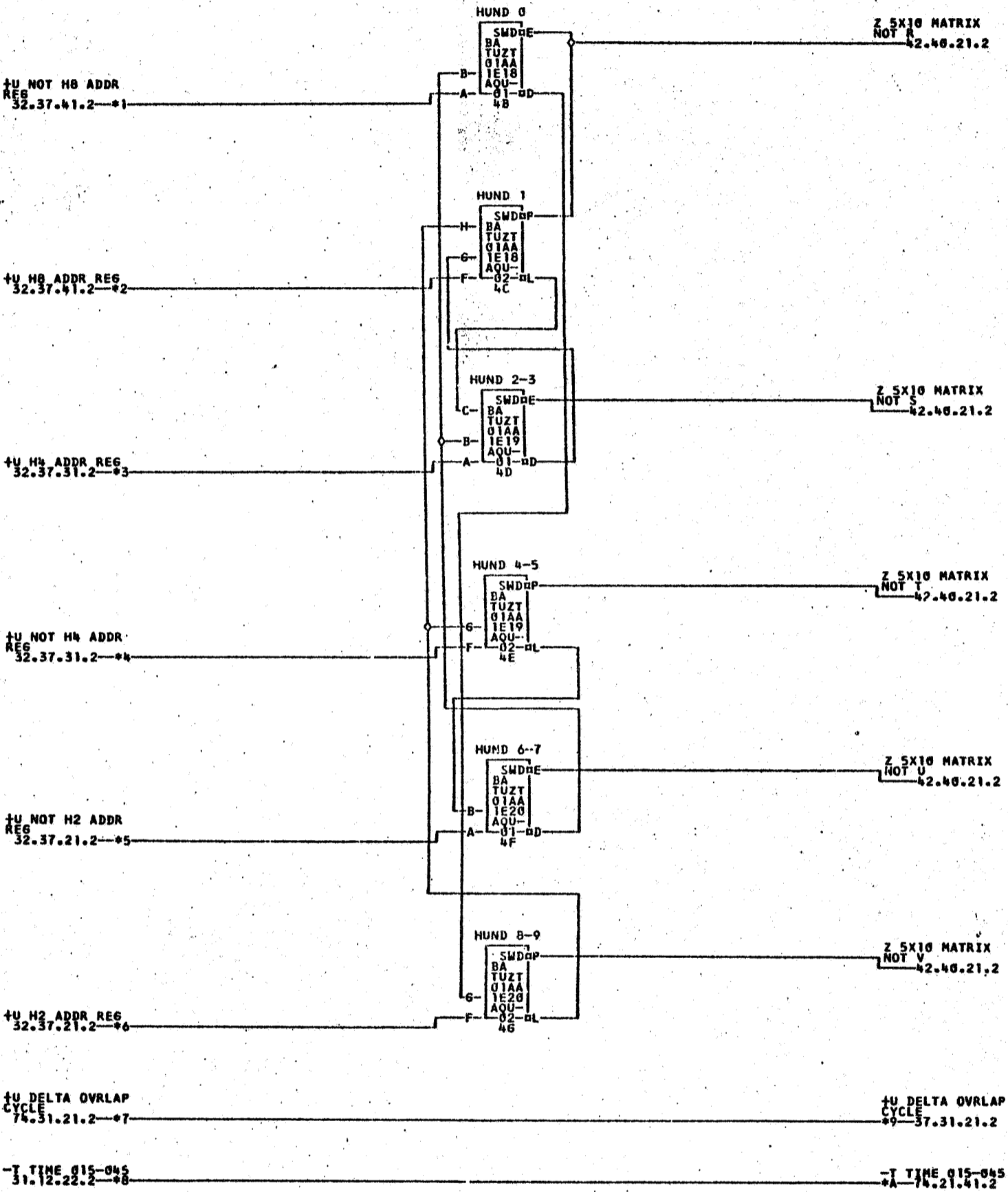
1401 BA

42.55.11.2

TAG DATE

C 10.5.62
TA 1282B

D 12.3.63
TA 1776



*1-01A1E029
*7-01A1E03P

*2-01A1E010
*8-01A1F020

*3-01A1E01P
*9-01A1D020

*4-01A1E02P
01A2A07R

*5-01A1E02M
*A-01A1E030

*6-01A1E01N

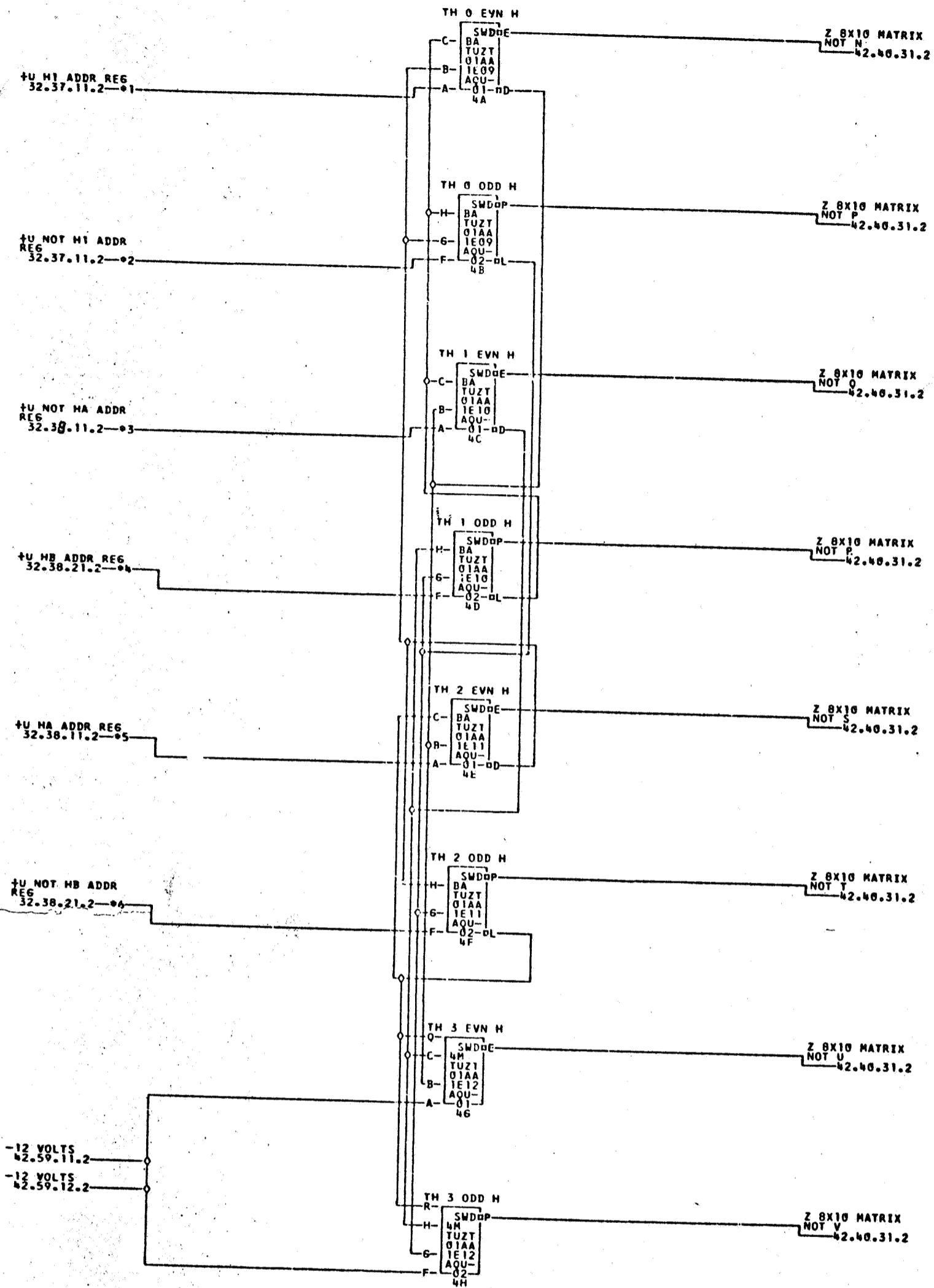
723782

MENTS

TAG DATE	F.C.NO.	TAG DATE	F.C.NO.	TAG DATE	F.C.NO.	TAG DATE	F.C.NO.
A 11-13-61	112912	B 12-15-61	113535	C 02-12-62	116241	D 12-07-62	116759

A 5.2.62
TA 1129

B 12.3.63
TA 1775



*1-01A1E01M

*2-01A1E02M

*3-01A1E03B

*4-01A1E03C

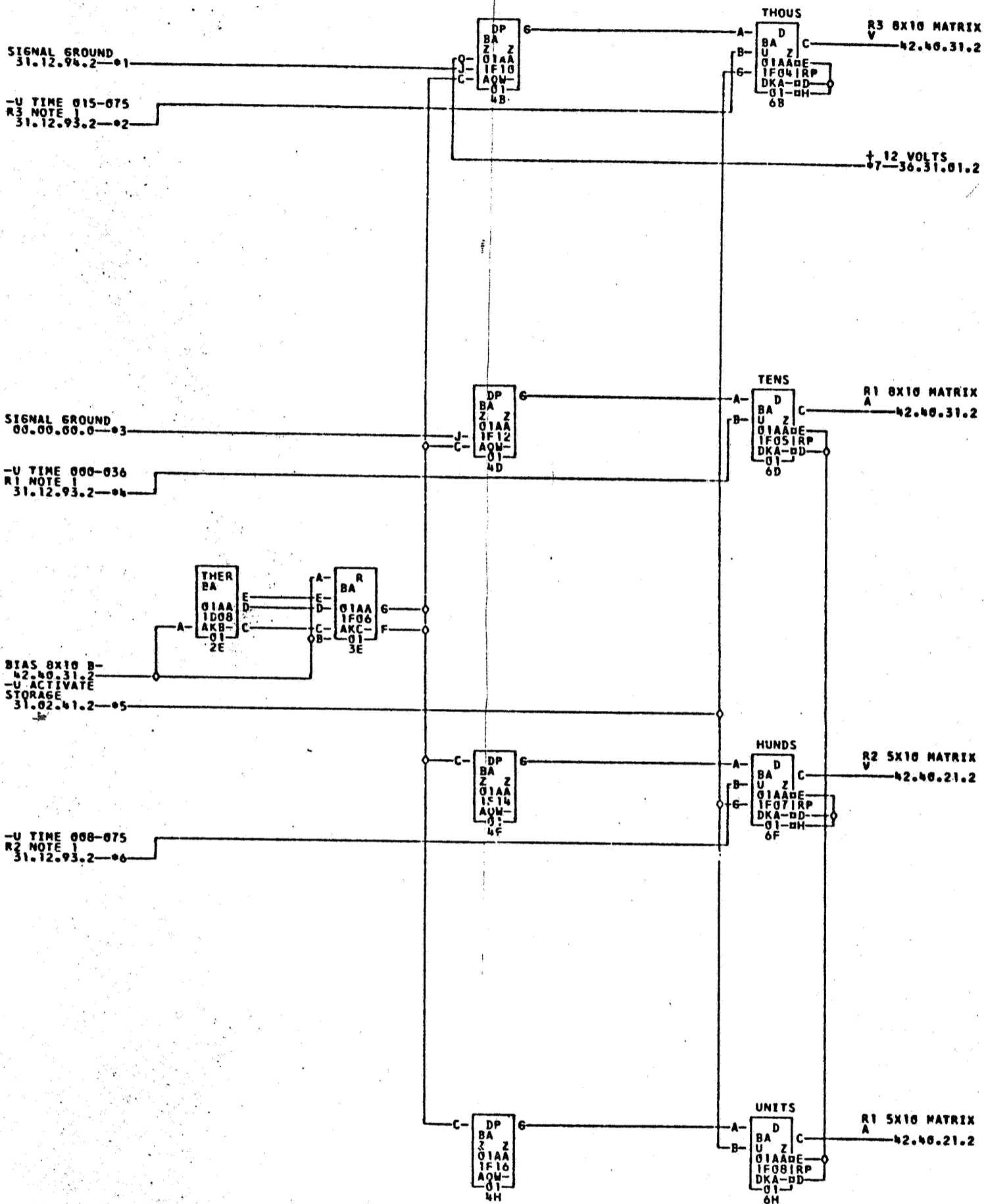
*5-01A1E03A

*6-01A1E03D

COMMENTS

TAG DATE	E.C.NO.	TAG DATE	E.C.NO.	TAG DATE	E.C.NO.	TAG DATE	E.C.NO.
A 11-13-61	112912	B 12-07-62	116709				

723,83



*1-01A1F02J
*7-01A1D02E

*2-01A1F02C

*3-01A1F01J

*4-01A1F02A

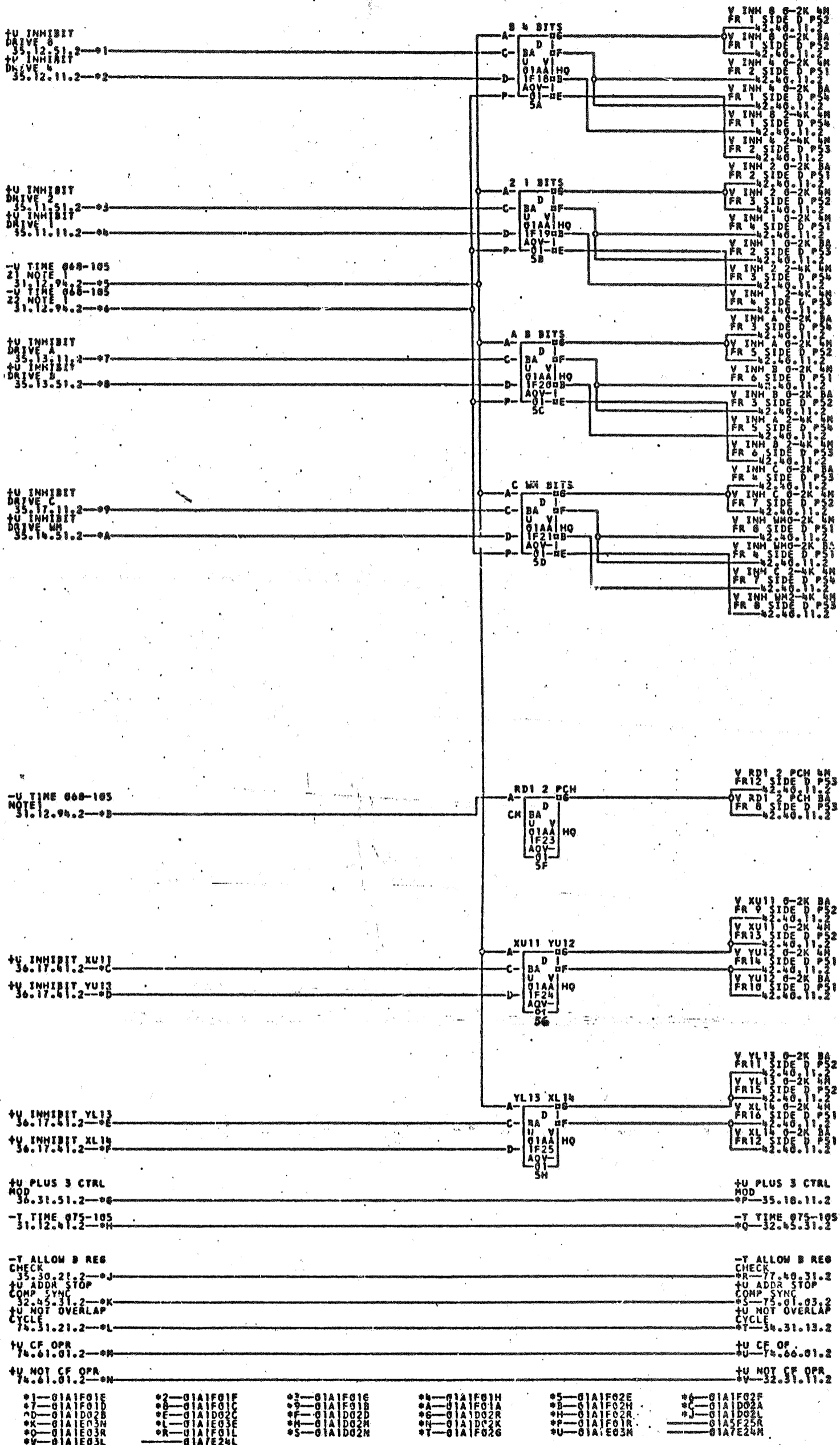
*5-01A1F01K

*6-01A1F02B

NOTE 1 TIMING AND ALLOWABLE TOLERANCES OF STORAGE PULSES ARE FOUND ON REFERENCE LOGIC 42.40.53.2

TAG DATE	E.C.NO.	TAG DATE	E.C.NO.	TAG DATE	E.C.NO.
A 11-13-61	112912	B 12-07-62	116749		

723784

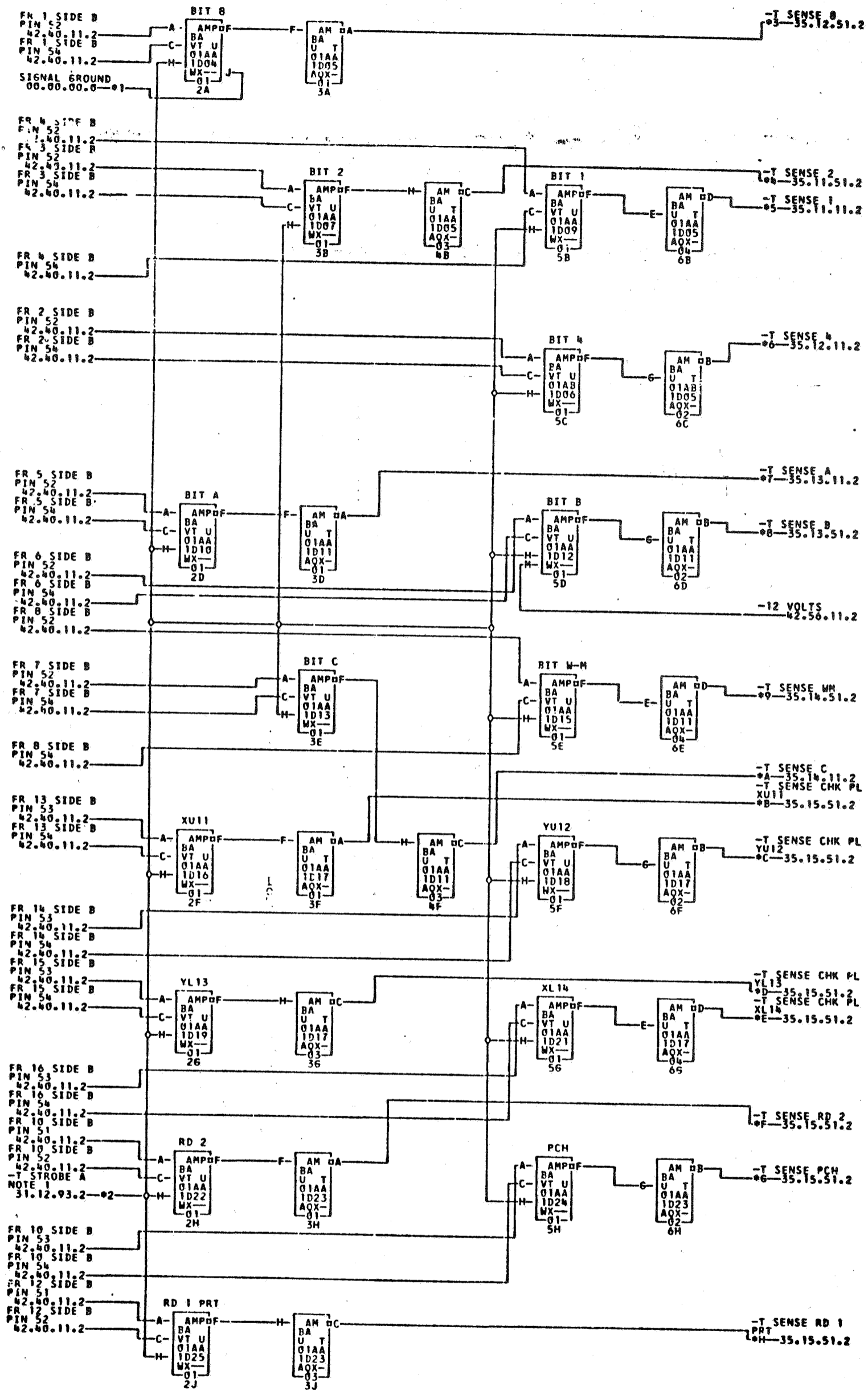


- | | | | | | |
|---------------|---------------|---------------|---------------|---------------|---------------|
| *1 - 01A1F01E | *2 - 01A1F01F | *3 - 01A1F01G | *4 - 01A1F01H | *5 - 01A1F02E | *6 - 01A1F02F |
| *7 - 01A1F01D | *8 - 01A1F01C | *9 - 01A1F01B | *A - 01A1F01A | *B - 01A1F02H | *C - 01A1D02A |
| *D - 01A1D02B | *E - 01A1D02C | *F - 01A1D02D | *G - 01A1D02R | *H - 01A1F02R | *J - 01A1D02L |
| *K - 01A1E03M | *L - 01A1E03E | *N - 01A1D02H | *H - 01A1D02K | *P - 01A1F01R | *S - 01A5F25R |
| *O - 01A1E03R | *R - 01A1F01L | *S - 01A1D02N | *T - 01A1F02G | *U - 01A1E03M | *V - 01A7E24H |
| *V - 01A1E03L | | | | | |

NOTE 1 TIMING AND ALLOWABLE TOLERANCES OF STORAGE PULSES ARE FOUND ON REFERENCE LOGIC 62.40.33.2
 OR TERM FR MEANS FRAME P MEANS PIN

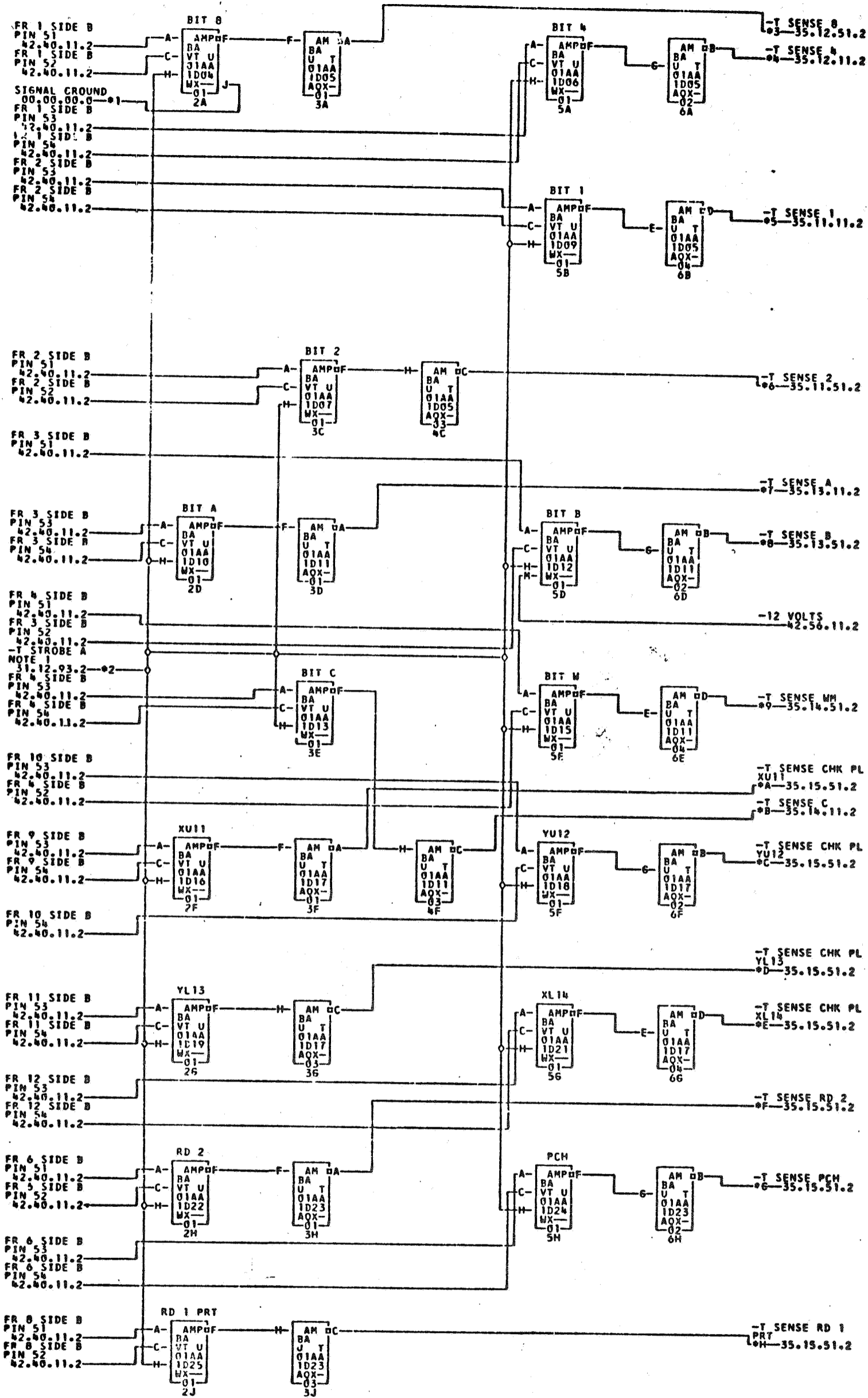
TAG DATE	E.C.NO.	TAG DATE	E.C.NO.	TAG DATE	E.C.NO.	TAG DATE	E.C.NO.
A 11-13-61	112912	B 12-15-61	113535	C 12-07-62	116749		

723785 1775



- *1-01A1D02J *2-01A1F02D *3-01A1D01A 01A3A24A *4-01A1D01C 01A3A24C
- *5-01A1D01D 01A3A24D *6-01A1D01B 01A3A24B *7-01A1D01E 01A3A24E
- *8-01A1D01F 01A3A24F *9-01A1D01H 01A3A24H *A-01A1D01G 01A3A24G
- *B-01A1D01I 01A3A24I *C-01A1D01P 01A3A24P *D-01A1D01N 01A3A24N
- *E-01A1D01M 01A3A24M *F-01A1D01K 01A3A24K *G-01A1D01L 01A3A24L

723786



B 17.4.62
 TA 1282
 C 12.3.63
 TA 1775

- | | | | | | |
|-------------|-------------|-------------|----------|-------------|----------|
| *1-01A1D02J | *2-01A1F02D | *3-01A1D01A | 01A3A24A | *4-01A1D01B | 01A3A24B |
| *5-01A1D01D | 01A3A24D | *6-01A1D01C | 01A3A24C | *7-01A1D01E | 01A3A24E |
| *8-01A1D01F | 01A3A24F | *9-01A1D01H | 01A3A24H | *A-01A1D01G | 01A3A24G |
| *B-01A1D01I | 01A3A24I | *C-01A1D01P | 01A3A24P | *D-01A1D01N | 01A3A24N |
| *E-01A1D01M | 01A3A24M | *F-01A1D01K | 01A3A24K | *G-01A1D01L | 01A3A24L |
| *H-01A1D01R | 01A3A24R | | | | |

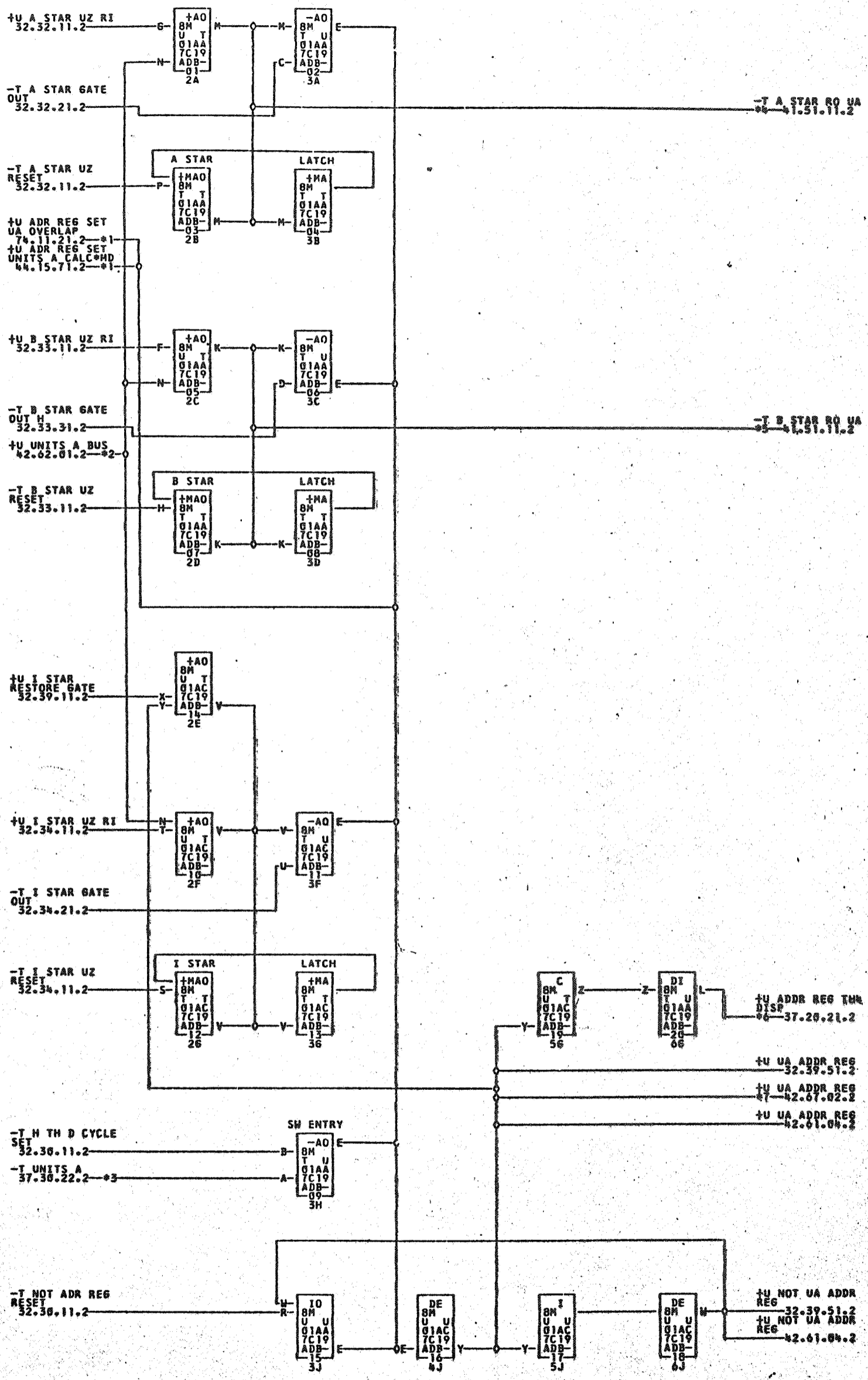
723778
 1775

NOTE 1 TIMING AND ALLOWABLE TOLERANCES OF STORAGE PULSES ARE FOUND ON REFERENCE LOGIC 42.40.33.2

COMMENTS

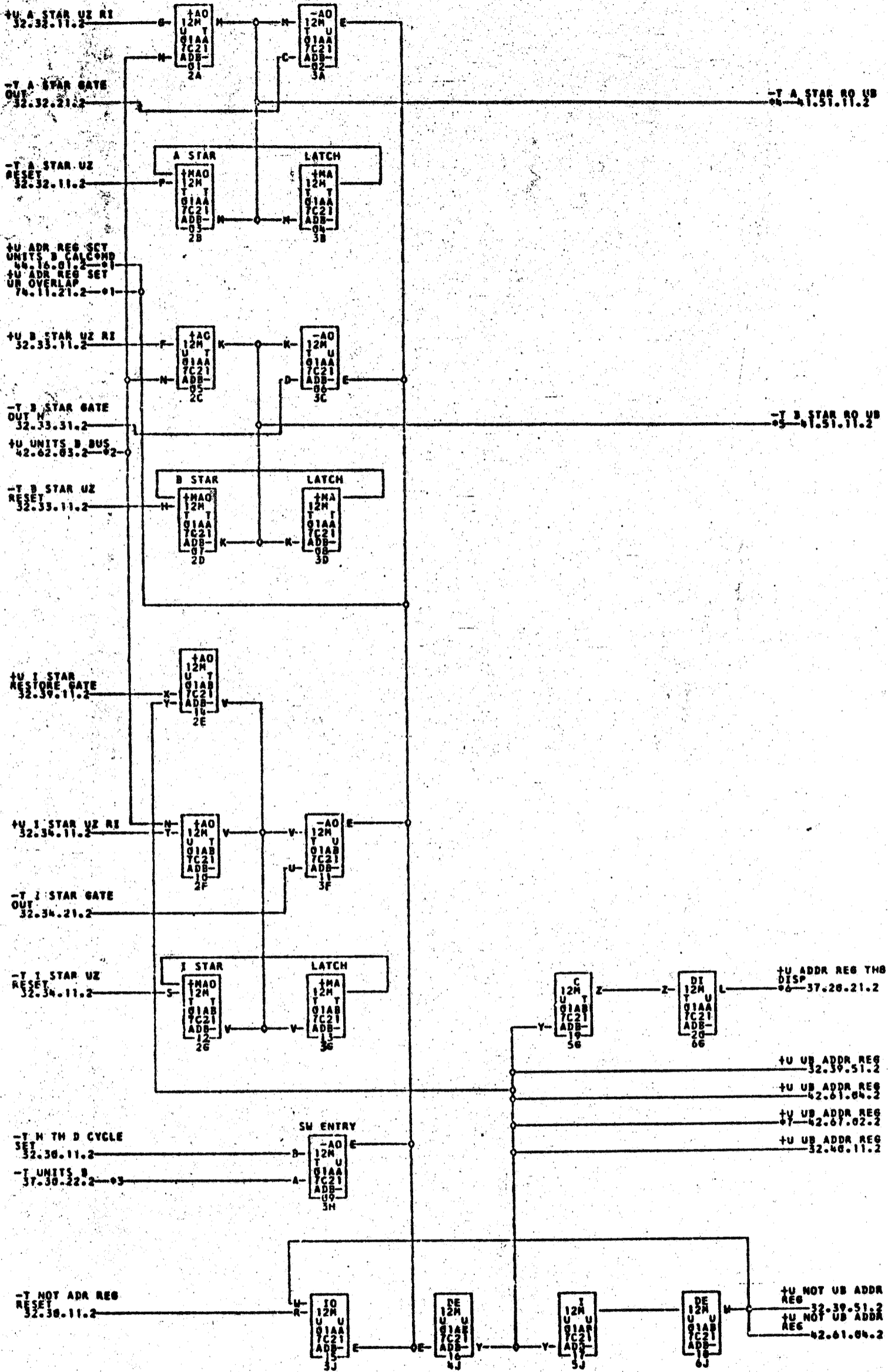
TAG DATE E.C.NO. TAG DATE E.C.NO. TAG DATE E.C.NO. TAG DATE E.C.NO.

A 11-13-61 112912 B 12-15-61 113535 C 12-07-62 116749



- *1—01A7E23A *2—01A7F26P *3—01A7E23D *4—01A7E236 ———— 01ABB266 ———— 01ABC24A
- 02A7B01F ———— 02B6E02A ———— 01A7E23K ———— 01ABB26K ———— 01ABC24B ———— 02A7B01F
- 02B6E02B *6—01A7A25R ———— 01ABC25R ———— 01ABC26L ———— 01A2A02L ———— *7—01A7F23L
- 06B7A06L

724606
1775



*1-01A7E23C
 02A9B09F
 02B0E02F
 06B7A06K

*2-01A7E26Q
 02B0E02E
 06-01A7B26R

*3-01A7E23E
 *5-01A7E23H
 01A0D25R

*4-01A7E23J
 01A0B26H
 01A0C24Q

01A0B26J
 01A0C24E
 01A2A62Q

01A0C24E
 02A9B11F
 *7-01A7F23K

COMMENTS

TAG DATE E.C.NO. TAG DATE E.C.NO. TAG DATE E.C.NO. TAG DATE E.C.NO.
 A 12-20-61 1122096 B 12-14-62 116749F

724608

0724609

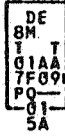
UNITS ZONE SERIALIZING GATE

1401 EX

42.61.04.2

TAG DATE

+U UA ADDR REG
42.61.01.2



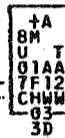
-T SERIAL UA
42.62.04.2

+U NOT UA ADDR
REG
42.61.01.2



-T SERIAL NOT
UA
42.62.04.2

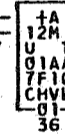
+U UCZ ADDR REG
42.61.02.2



-T SERIAL UCZ
42.62.02.2

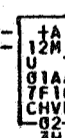
+U TIME 060-090
32.39.21.2

+U UB ADDR REG
42.61.03.2



-T SERIAL UB
42.62.04.2

+U NOT UB ADDR
REG
42.61.03.2



-T SERIAL NOT
UB
42.62.04.2

*1-01A7F26J
*4-01A7F26L

01A8B24J
01A8B24L

*2-01A7F26K
*5-01A7F26M

01A8B24K
01A8B24M

*3-01A7F26N

01A8B24N

COMMENTS

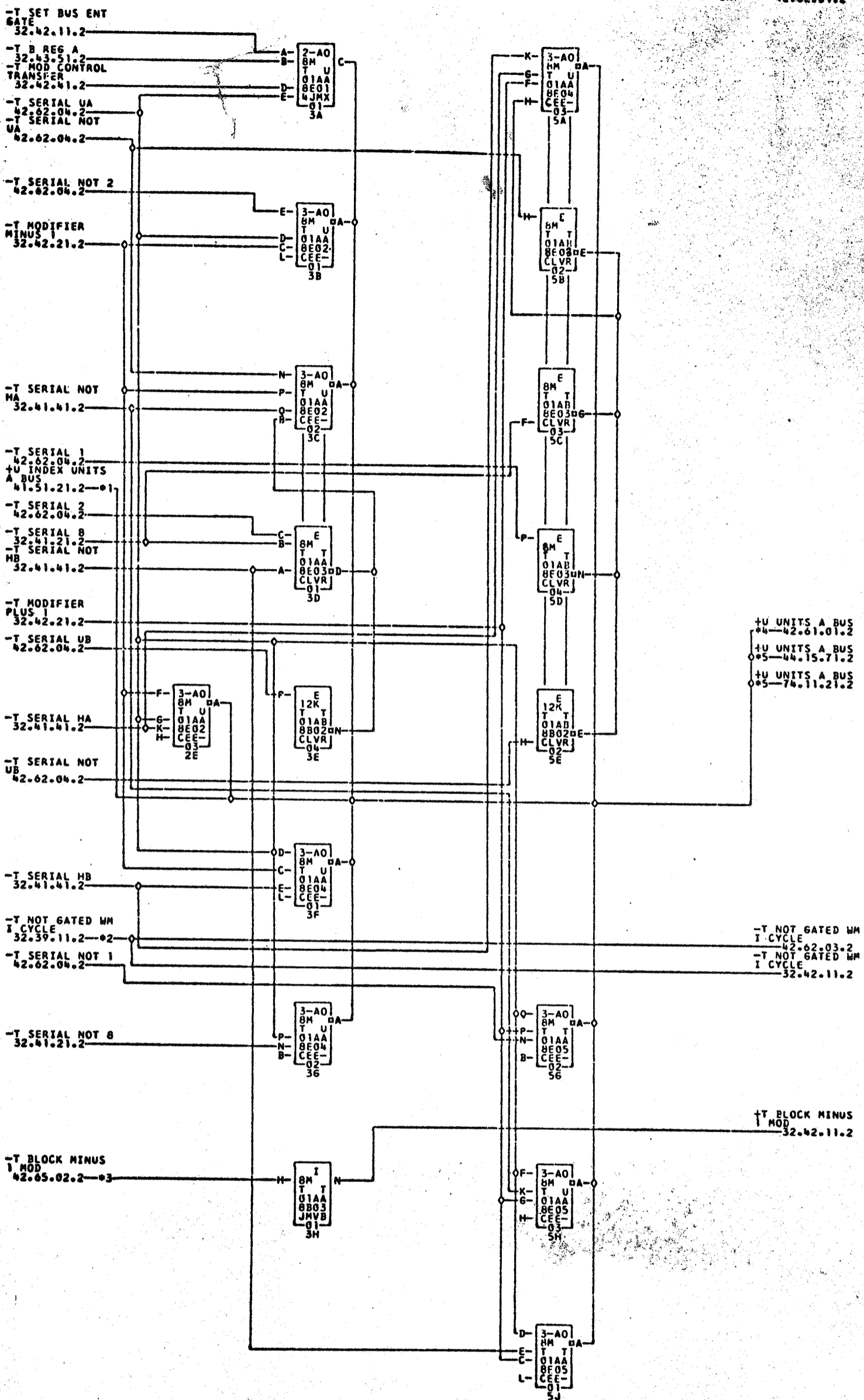
TAG DATE E.C.NO. TAG DATE E.C.NO. TAG DATE E.C.NO. TAG DATE E.C.NO.

A 12-20-61 1122696

B 12-14-62 116749F

724009

A 28.5.62
TA 1344
B 12.3.63
TA 1775



*1-01ABC246
*3-01ABF26N

*2-01ABA26E
02A9D19A

*3-01ABB25B
02A7B26N

06B7A15B
02B1A02N

*4-01ABB24P

01A7F26P

COMMENTS

TAG DATE	E.C.NO.	TAG DATE	E.C.NO.	TAG DATE	E.C.NO.	TAG DATE	E.C.NO.
A 12-18-61	113530	B 12-19-62	114177C				

728964

0728965

ADDRESS MODIFY UNITS C ZONE BIT

1401 EX

42.62.02.2

TAG DATE

-T SET BUS ENT

GATE

32.42.11.2

-T B REG CZ

32.43.81.2

-T MOD CONTROL

TRANSFER

32.42.41.2

-T SERIAL NOT

UB

42.62.04.2

-T SERIAL 2

42.62.04.2

-T SERIAL NOT 1

42.62.04.2

-T MODIFIER

MINUS

32.42.21.2

-T SERIAL NOT

HB

32.41.41.2

-T SERIAL NOT 2

42.62.04.2

-T SERIAL UCZ

42.61.04.2

-T SERIAL NOT 8

32.41.21.2

-T MODIFIER

PLUS

32.42.21.2

-T SERIAL B

32.41.21.2

-T SERIAL NOT

HA

32.41.41.2

+U PFR UNITS

CZ

56.12.11.2

+U COL BIN

UNITS CZ

41.11.31.2

+U INDEX UNITS

C ZONE BUS

41.51.21.2

-T SERIAL UB

42.62.04.2

-T SERIAL HB

32.41.41.2

-T SERIAL UA

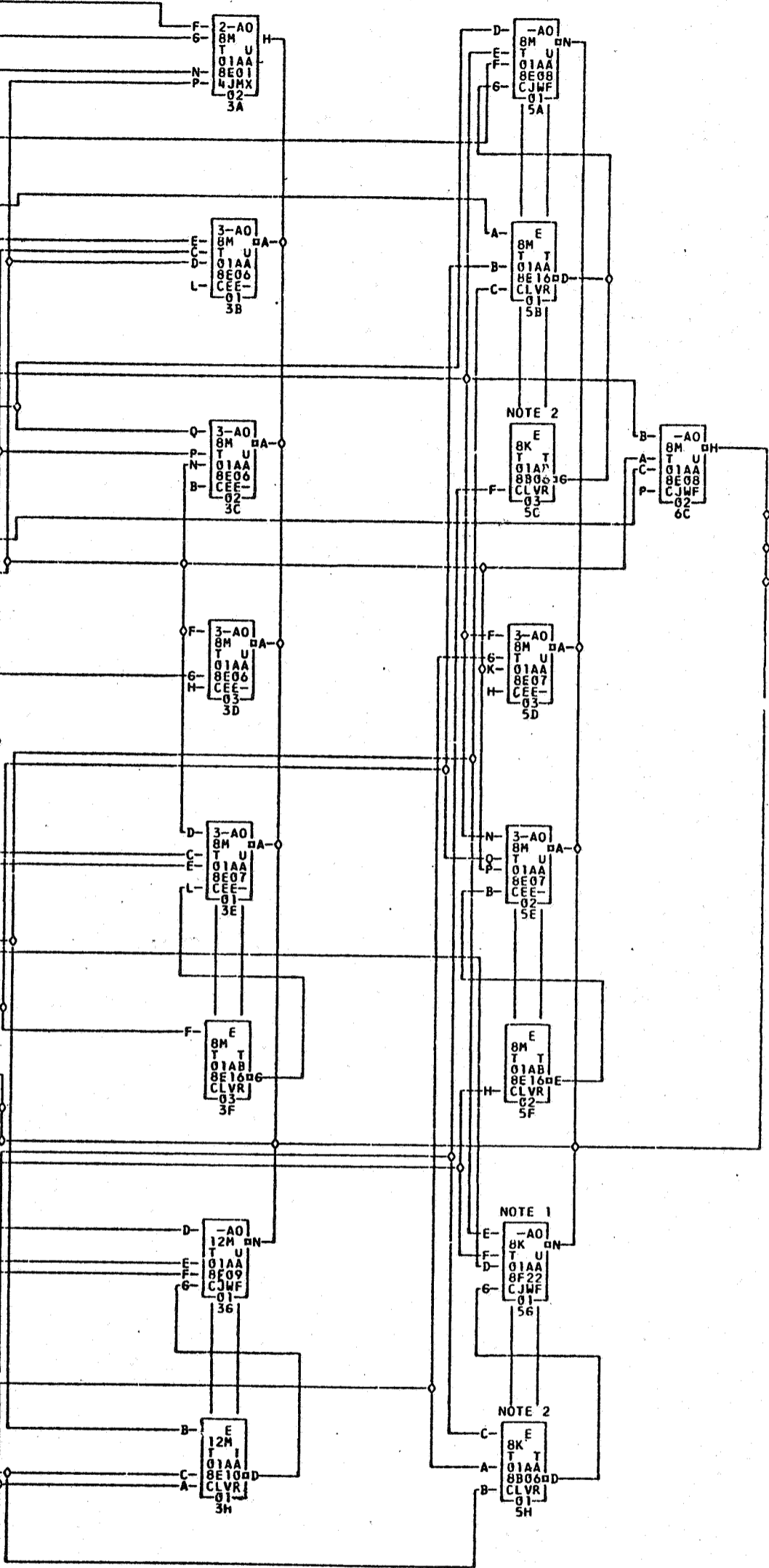
42.62.04.2

-T SERIAL I

42.62.04.2

-T SERIAL HA

32.41.41.2



A 5.4.62

TA 1233B

B 25.3.63

TA 1795

+U UNITS CZ BUS

*5-44.16.11.2

+U UNITS CZ BUS

*6-42.61.02.2

+U UNITS CZ BUS

*5-74.11.21.2

NOTE 2

NOTE 1

NOTE 2

*1-01A8B24N
02B1A02L

*2-01A8E24L
02B7D02M

*3-01A8D24R
02B7C01R

*4-01A8C24J
02A7C26R

*5-01A8A25A
*6-01A8B24R

02A9D01F
01A7F26R

728965

NOTE 1 F22 IS ADDED COMMENTS FOR 8K STORAGE ONLY

TAG DATE

A 12-18-61

E.C.NO.

113530

TAG DATE

B 12-19-62

E.C.NO.

114177C

TAG DATE

E.C.NO.

TAG DATE

E.C.NO.

TAG DATE

E.C.NO.

TAG DATE

E.C.NO.

TAG DATE

E.C.NO.

TAG DATE

E.C.NO.

aA 5.4.62
TA 1233B

B 25.3.63
TA 1795

-T SERIAL 1
32.41.11.2

-T SERIAL 1
42.62.01.2
-T SERIAL 1
42.62.02.2
-T SERIAL 1
42.62.03.2

-T SERIAL NOT 1
32.41.11.2

-T SERIAL NOT 1
42.62.01.2
-T SERIAL NOT 1
42.62.02.2
-T SERIAL NOT 1
42.62.03.2

-T SERIAL 2
32.41.11.2

-T SERIAL 2
42.62.01.2
-T SERIAL 2
42.62.03.2
-T SERIAL 2
42.62.02.2

-T SERIAL NOT 2
32.41.11.2

-T SERIAL NOT 2
42.62.01.2
-T SERIAL NOT 2
42.62.02.2
-T SERIAL NOT 2
42.62.03.2

-T SERIAL UA
42.61.04.2-01

-T SERIAL UA
42.62.01.2
-T SERIAL UA
42.62.03.2
-T SERIAL UA
32.44.41.2
-T SERIAL UA
42.62.02.2

-T SERIAL NOT
UA
42.61.04.2-02

-T SERIAL NOT
UA
42.62.01.2
-T SERIAL NOT
UA
42.62.03.2
-T SERIAL NOT
UA
32.44.41.2

-T SERIAL UB
42.61.04.2-03

-T SERIAL UB
42.62.02.2
-T SERIAL UB
42.62.03.2
-T SERIAL UB
32.44.41.2
-T SERIAL UB
42.62.01.2

-T SERIAL NOT
UB
42.61.04.2-04

-T SERIAL NOT
UB
42.62.02.2
-T SERIAL NOT
UB
42.62.03.2
-T SERIAL NOT
UB
32.44.41.2
-T SERIAL NOT
UB
42.62.01.2

*1-01A8B24J

*2-01A8B24K

*3-01A8B24L

*4-01A8B24M

728967

COMMENTS

TAG DATE	E.C.NO.	TAG DATE	E.C.NO.	TAG DATE	E.C.NO.	TAG DATE	E.C.NO.
A 12-18-61	113530	B 12-19-62	114177C				

BT2441

MULTIPLY AND DIVIDE OF CODES

1401 BA

64.10.91.2

TAG DATE

A 28.5.62
TA 1344

B 16.4.63
TA 1815A

-T OP DECODE
NOT AB
35.22.11.2

-T OP DECODE BA
NOT 21
35.22.11.2

-T OP DECODE A
NOT 1
35.22.11.2



+U MULTIPLY OPR
35.28.11.2

+U MULTIPLY OPR
31-44.10.11.2

+U DIVIDE OPR
35.28.21.2

+U DIVIDE OPR
32-44.10.11.2

01-0101002J

0101002J

0101002J

0201002J

0201002H

02-0101002J

724641

COMMENTS

TAG DATE E.C.NO. TAG DATE E.C.NO.
A 12-04-61 112209C B 01-10-63 116709

TAG DATE E.C.NO. TAG DATE E.C.NO.

TAG DATE E.C.NO. TAG DATE E.C.NO.

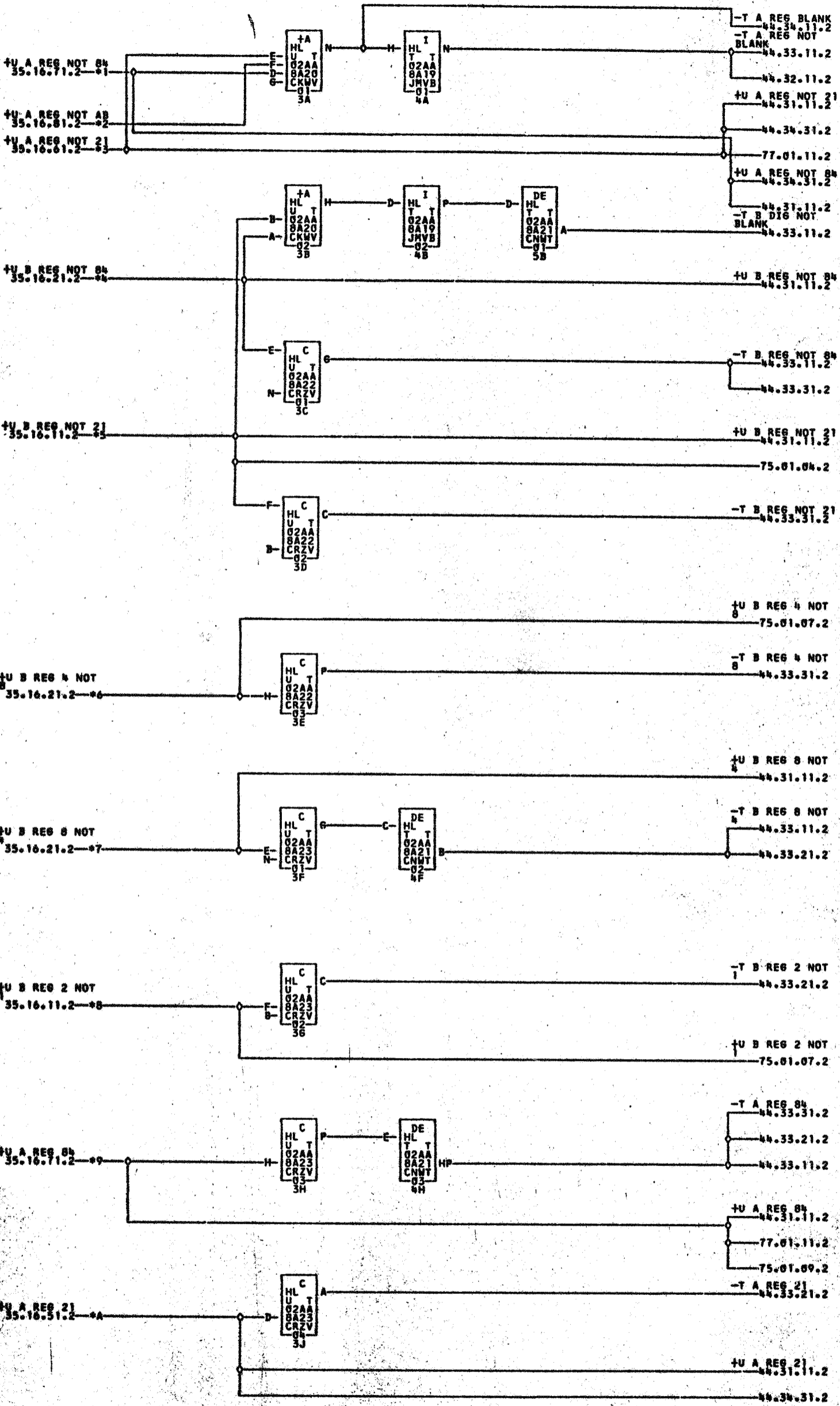
0731904

HI-LO-EQ INPUT DIST

1401 HL

44.30.11.2

TAG DATE



A 26.2.63
 TA 1740
 B 21.6.63
 TA 1870A

- *1-02ABA25A
- *2-02ABA25C
- *3-02ABA25B
- *4-02ABA25D
- *5-02ABA25E
- *6-02ABA25H
- *7-02ABA25J
- *8-02ABA25K
- *9-02ABA25P
- *A-02ABA25B

COMMENTS	TAG DATE	E.C.NO.	TAG DATE	E.C.NO.	TAG DATE	E.C.NO.	TAG DATE	E.C.NO.
	11-17-62	116245A	03-01-63	117141				

731904

0731905

SPECIAL CHARACTER COMPARE

1401 HL

44.31.11.2

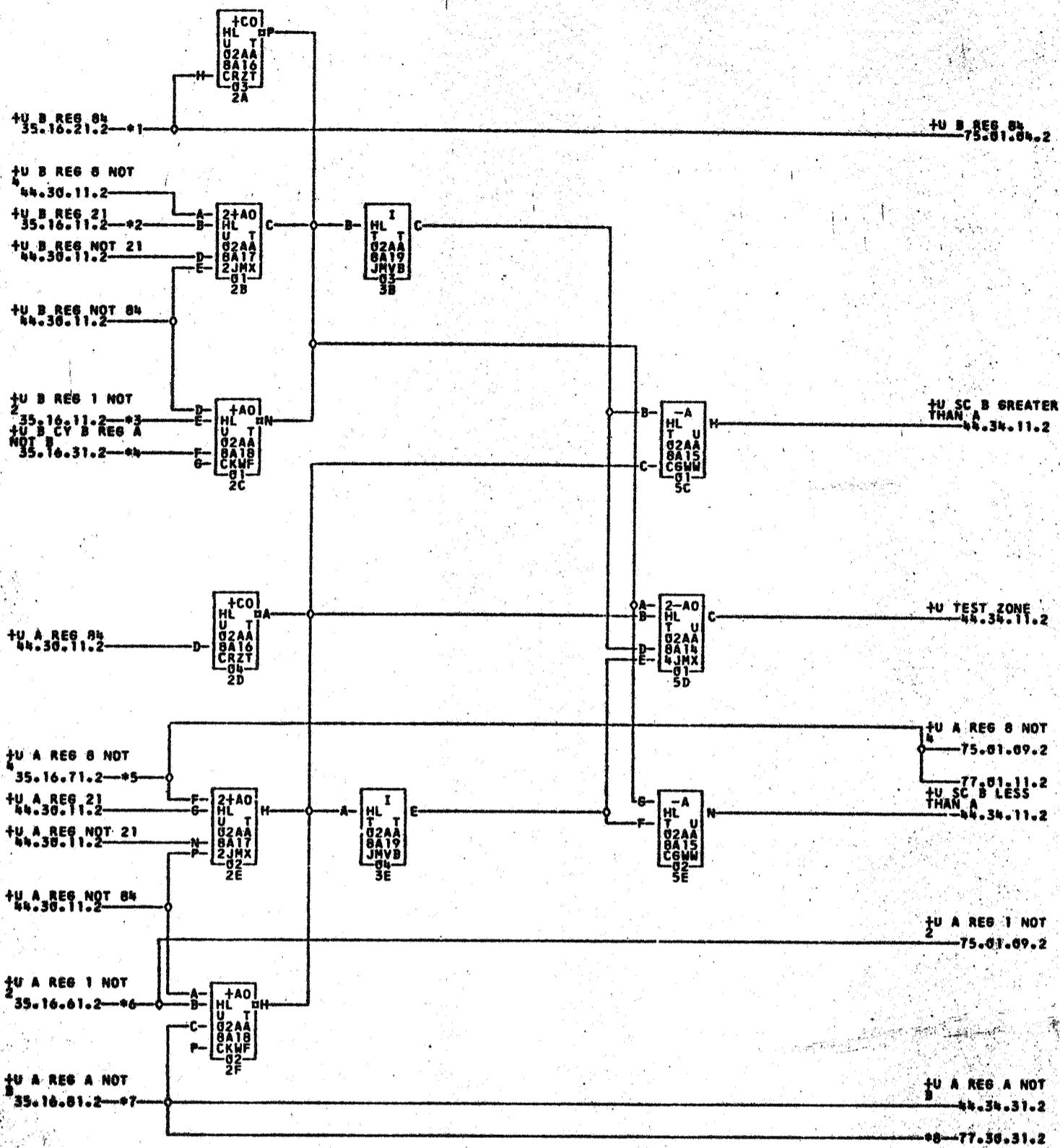
TAG DATE

A 26.2.63

TA 1740

B 21.6.63

TA 1870A



RPO
RPO
*02AA
8A01
01
26

RPO
RPO
*02AA
8A02
01
36

RPO
RPO
*02AA
8A03
01
46

RPO
RPO
*02AA
8B01
01
56

RPO
RPO
*02AA
8B02
01
66

RPO
RPO
*02AA
8B03
01
2H

*1-02A8A25L
*7-02A8A25K

*2-02A8A25M
*8-02A8C24D

*3-02A8A25P
*18-01B8A0AA

*4-02A8A25N

*5-02A8A25Q

*6-02A8A26A

COMMENTS

TAG DATE E.C.NO. TAG DATE E.C.NO. TAG DATE E.C.NO. TAG DATE E.C.NO.
A 11-17-62 118245A B 03-01-63 117181

731905

6731906

HI-LO ZONE COMPARE

1401 HL

44.32.11.2

TAG DATE

A 26.2.63
TA 1740

B 21.6.63
TA 1870A

-T B REG NOT B
35.13.01.2 -#1
-T B REG NOT
BLANK
35.16.21.2 -#2

-T A REG A
35.13.21.2 -#3

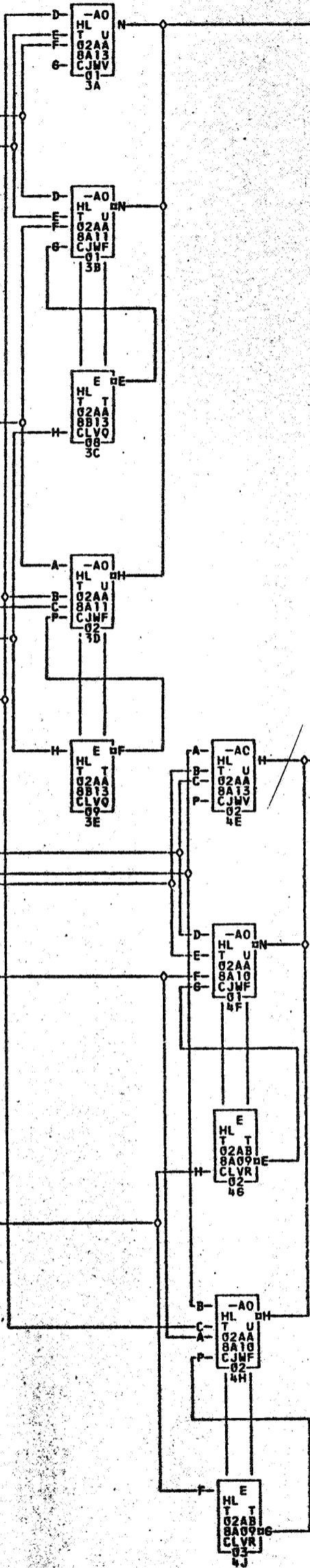
-T B REG B
35.13.01.2 -#4
-T B REG NOT A
35.13.21.2 -#5

-T A REG B
35.13.01.2 -#6

-T A REG NOT B
35.13.01.2 -#7
-T A REG NOT
BLANK
44.30.11.2

-T B REG A
35.13.21.2 -#8

-T A REG NOT A
35.13.21.2 -#9



#1-02ABA208
#2-02ABA208

#3-02ABR25H
#4-02ABA20H

#5-02ABA26D
#6-02ABA26J

#7-02ABA26E

#8-02ABA26F

#9-02ABA26C

COMMENTS

TAG DATE	E.C.NO.	TAG DATE	E.C.NO.	TAG DATE	E.C.NO.	TAG DATE	E.C.NO.
A 11-17-62	116245A	B 03-01-63	117141				

731906

0731907

HI-LO DIGIT COMPARE SECT 1

1401 HL

44.33.11.2

TAG DATE

-T A REG NOT 8
35.12.01.2-41
-T A REG NOT 4
35.12.21.2-42
-T A REG NOT 1
35.11.21.2-43

-T A REG NOT 8
44.33.21.2
-T A REG NOT 8
44.33.31.2

A 26.2.63
TA 1746

B 21.6.63
TA 1870A

-T A REG 1
35.11.21.2-44

-T A REG 1
44.33.21.2
44.33.31.2

-T A REG NOT 2
35.11.01.2-45

-T A REG NOT 2
44.33.21.2

-T A REG 0
35.12.01.2-46

-T A REG 0
44.33.21.2

-T A REG NOT
BLANK
44.30.11.2

-T B DIGIT B LESS
THAN A
44.34.11.2

-T B REG NOT 8
35.12.01.2-47

-T B REG NOT 8
44.33.21.2

-T B DIG NOT
BLANK
44.30.11.2

-T A REG 04
44.30.11.2

-T A REG 4
44.33.21.2
44.33.31.2

-T A REG 4
35.12.21.2-48

-T B REG NOT 04
44.30.11.2

-T B REG 8 NOT
44.30.11.2

-T B REG BLANK
35.10.31.2-49

-T B REG BLANK
44.34.11.2

*1-02A8B260
*2-02A8B263

*3-02A8B266
*4-02A8B269

*5-02A8B268
*6-02A8B268

*7-02A8B26C

*8-02A8B26F

*9-02A8B268

COMMENTS

TAG DATE E.C.NO. TAG DATE E.C.NO. TAG DATE E.C.NO. TAG DATE E.C.NO.
A 11-17-62 116245A B 03-01-63 117141

731907

0731908

HI-LO DIGIT COMPARE SECT 2

1401 HL

44.33.21.2

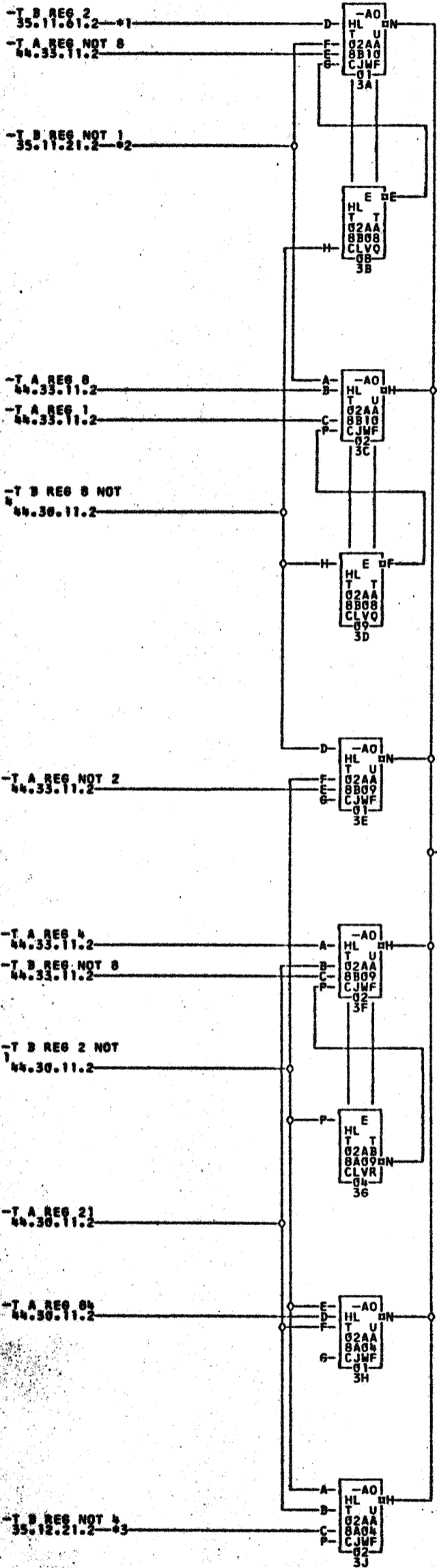
TAG DATE

A 26.2.63

TA 1740

B 21.6.63

TA 1870A



4U DIGIT B LESS THAN A
44.34.11.2

*1-02A8B26H

*2-02A8B26D

*3-02A8B26A

COMMENTS

TAG DATE	E.C.NO.	TAG DATE	E.C.NO.	TAG DATE	E.C.NO.	TAG DATE	E.C.NO.
A 11-17-62	116245A	B 03-01-63	117141				

731908

0731909

HI-LO DIGIT COMPARE SECT 3

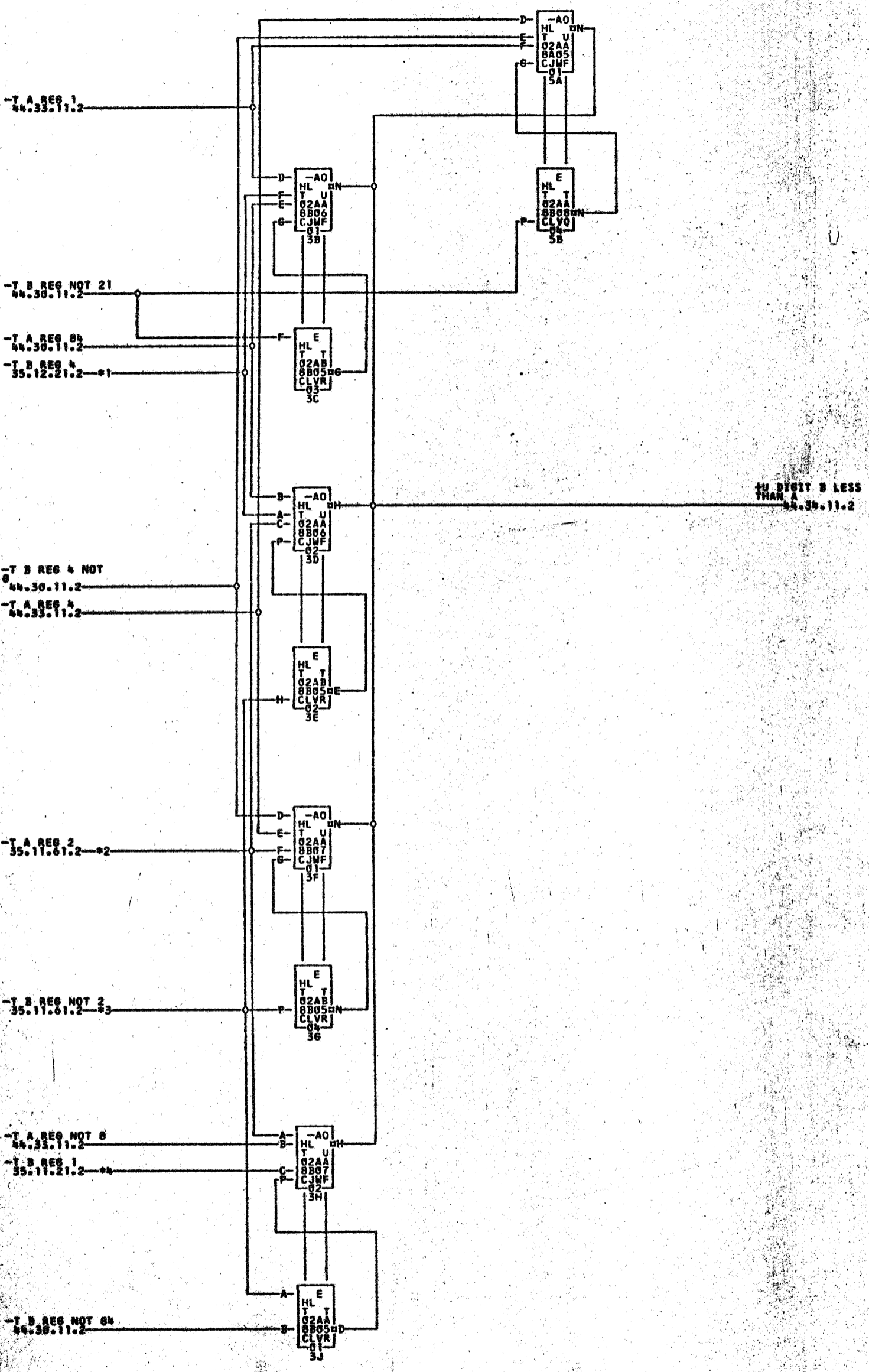
1401 HL

44.33.31.2

TAG DATE

A 26 2.63
TA 1748

B 21.6.63
TA 1870A



*1-02A0A26M

*2-02A0A26L

*3-02A0A26N

*4-02A0A26R

COMMENTS

TAG DATE	E.C.NO.	TAG DATE	E.C.NO.	TAG DATE	E.C.NO.	TAG DATE	E.C.NO.
A 11-17-62	116245A	B 03-01-63	117141				

731909

0731910

B GREATER OR LESS THAN A CONTROL

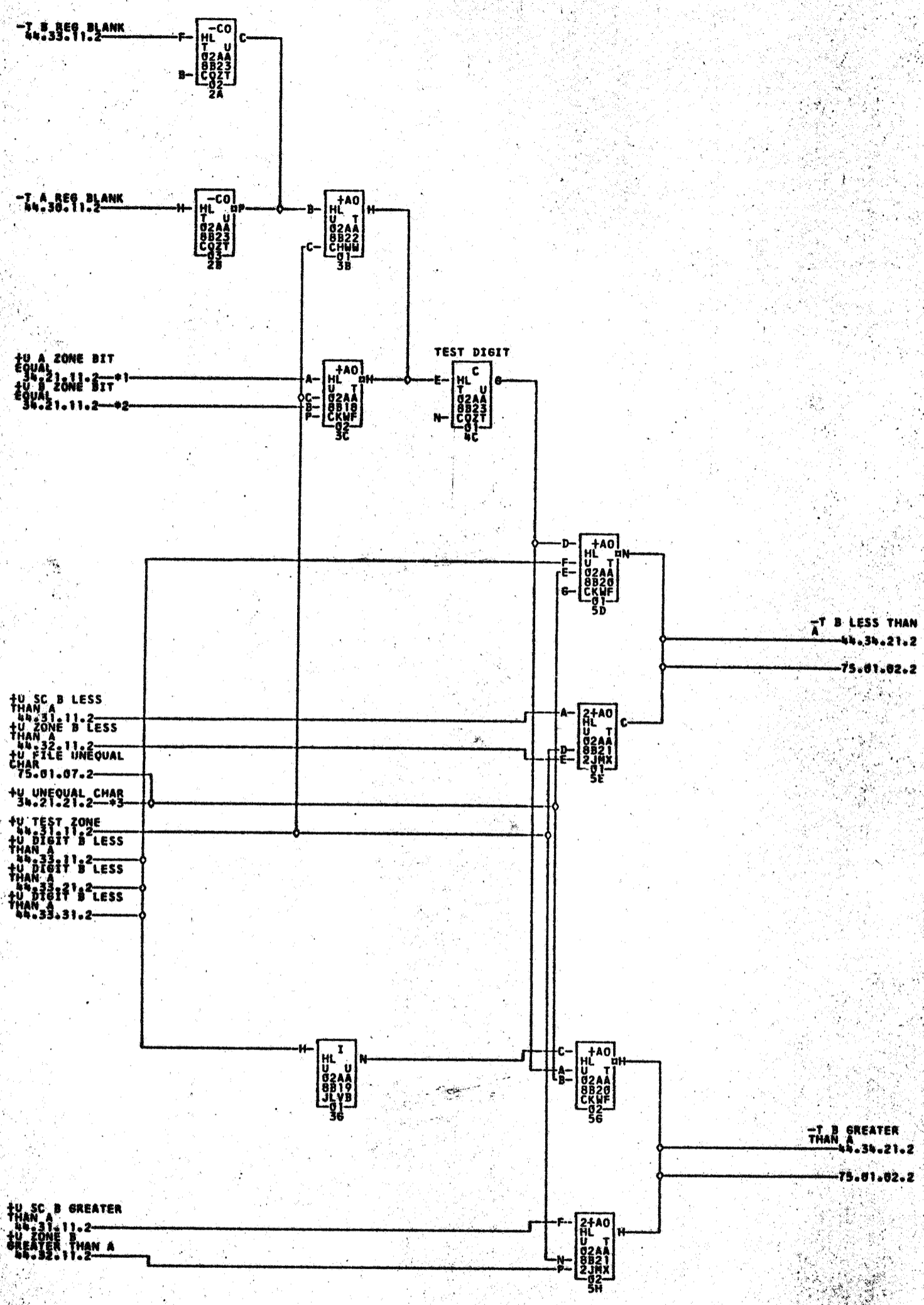
1401 HL

44.34.11.2

TAG DATE

A 26.2.63
TA 1740

B 21.6.63
TA 1870A



*1-02A8B25F *2-02A8B25E *3-02A8B256

COMMENTS	TAG DATE	E.C.NO.	TAG DATE	E.C.NO.	TAG DATE	E.C.NO.	TAG DATE	E.C.NO.
	A 11-17-62	116245A	B 03-01-63	117121				

731910

0731911

HI-LO LATCH

1401 HL

44.34.21.2

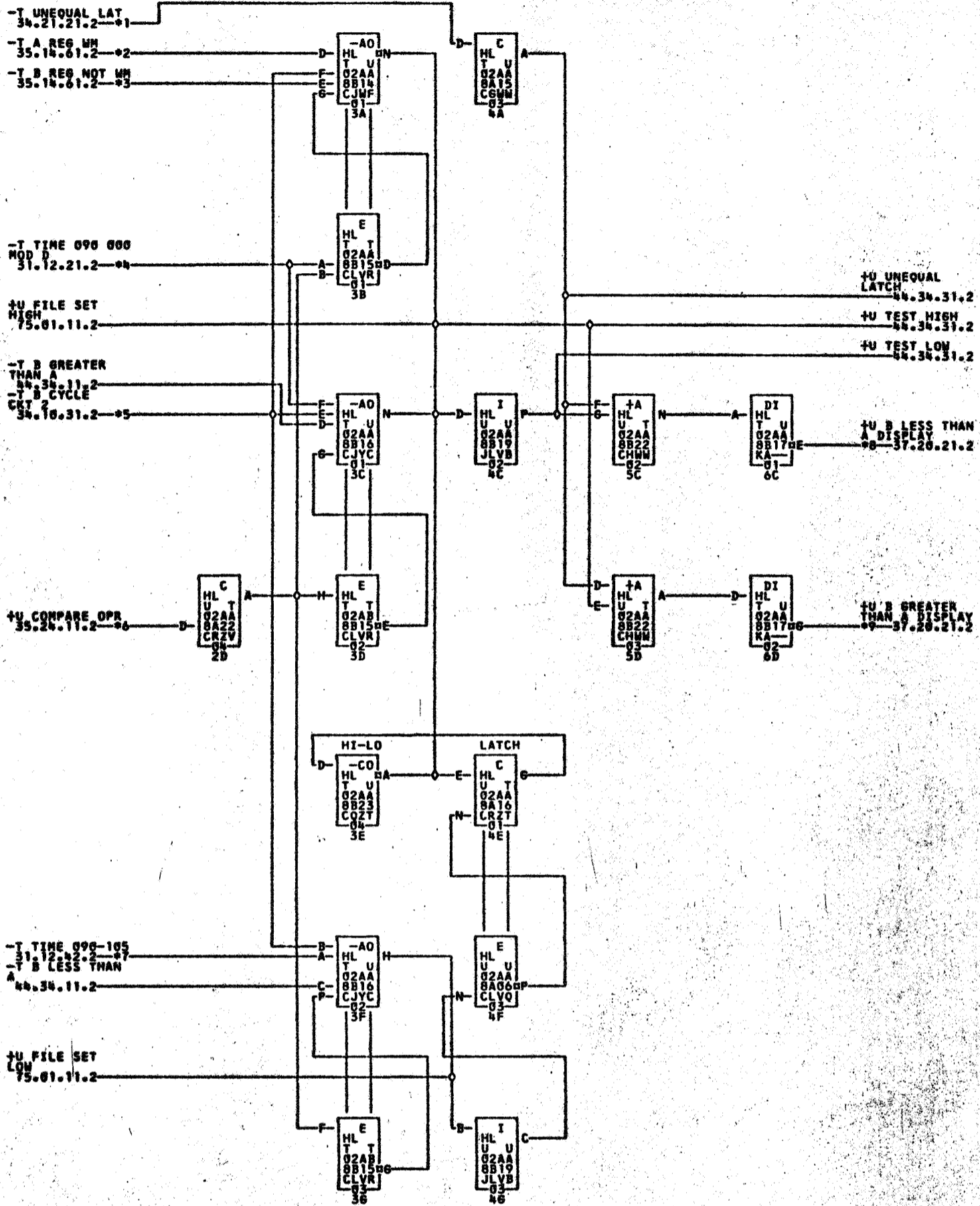
TAG DATE

A 26.2.63

TA 1740

B 21.6.63

TA 1870A



- *1-02ABB25A
- *2-02ABB20L
- *3-02ABB25K
- *4-02ABB26K
- *5-02ABB25C
- *6-02ABB25D
- *7-02ABB26P
- *8-02ABB259
- *9-02ABB25R
- 02AVE05D
- 01B6F03R
- 01B6A02R
- 01B6F03D
- 01A2A04R
- 01B6A02Q

COMMENTS

TAG DATE	E.C.NO.	TAG DATE	E.C.NO.	TAG DATE	E.C.NO.	TAG DATE	E.C.NO.
A 11-17-62	116245A	B 03-01-63	117141				

731911

0731912

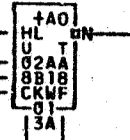
HIGH-LOW-EQUAL TEST

1NOT HL 44.34.31.2

TAG DATE

+U EQUAL LATCH
44.34.21.2 #1
+U A REG 2 NOT
35.16.51.2 #2

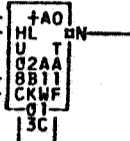
TEST EQ



+U A REG 2 NOT
75.01.09.2

+U TEST HIGH
44.34.21.2 #3
+U A REG 4 NOT
35.16.71.2 #3
+U A REG NOT 21
44.30.11.2

TEST HI



+U A REG 4 NOT
75.01.09.2

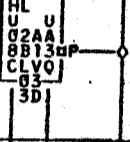
-T HI-LO-EQ
TEST POS
44.34.21.41.2

+U A REG NOT 84
44.30.11.2

+U A REG NOT 21
75.01.09.2

+U A REG A NOT
44.31.11.2

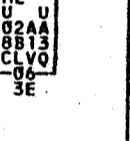
TEST LO



+U A REG A NOT
75.01.09.2

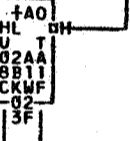
+U UNEQUAL
LATCH
44.34.21.2

TEST LO



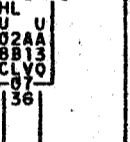
+U TEST LOW
44.34.21.2
+U A REG 21
44.30.11.2

TEST LO

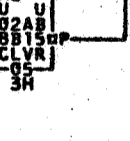


+U A REG 21
75.01.09.2

TEST LO



TEST LO



*1-02A8B25H

*2-02A8B26H

*3-02A8B26N

*4-02A8B25B

02A9C17D

01B6F83B

COMMENTS

TAG DATE E.C.NO. TAG DATE E.C.NO. TAG DATE E.C.NO. TAG DATE E.C.NO.
A 11-17-62 116245A B 03-01-63 117141

731912

8724642

ADDRESS MODIFY OP CODE

1401 BA

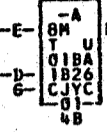
44.62.02.2

TAG DATE

B 26.9.62
TA 1344D

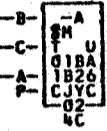
C 16.4.63
TA 1815A

-T OP DECODE
NOT AB
35.22.11.2
-T OP DECODE 82
1 NOT 4
35.23.21.2



+U ADDRESS MOD
OPR
01-42.65.01.2
+U ADDRESS MOD
OPR
35.20.21.2

-T PROCESS
35.20.31.2



+U GATED ADD
MODIFY OPR
02-31.05.21.2



+U NOT ADDRESS
MOD OPR
03-31.06.11.2
+U NOT ADDRESS
MOD OPR
03-35.15.11.2

*1-01B1E02R
01B2B02K

*3-01B3D02R
01B1C01J

01B3F03N
01B2B02J

06B7A13N
01B2D04J

06B4E01N
01A3D25J

*2-01B1C01K

NOTE-TIE F06H TO F06M IF THE 1406 IS
NOT PRESENT

TAG DATE	E.C.NO.	TAG DATE	E.C.NO.	TAG DATE	E.C.NO.	TAG DATE	E.C.NO.
A 12-04-61	112269C	B 06-05-62	114132A	C 01-14-63	116789		

1815A
724642

8724643

COMPRESSED WORD OF CODE

1401 BA

44.70.11.2

TAG DATE

A 28.5.62
TA 1344

B 18.4.63
TA 1815A

-T OF DECODE A
NOT B
35.22.11.2
-T OF DECODE 42
NOT
35.23.21.2



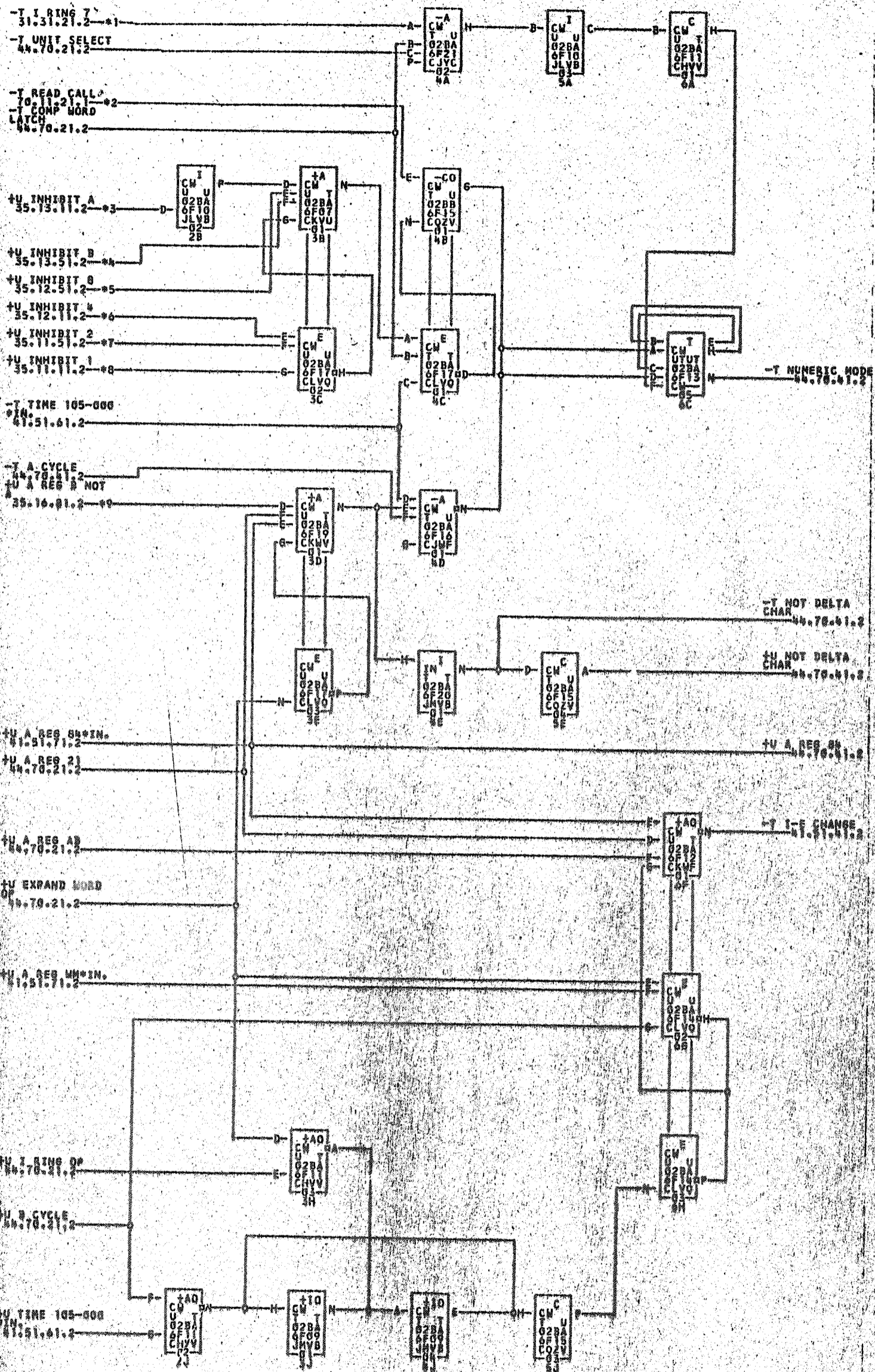
4U X OFB
35.20.11.2
4U X OFB
35.20.21.2

01-0181A03E 0240E17A 0284C01E

COMMENTS

TAG DATE	E.C.NO.	TAG DATE	E.C.NO.	TAG DATE	E.C.NO.	TAG DATE	E.C.NO.
A 12-04-61	1122072	B 01-10-63	116789				

7248153
A

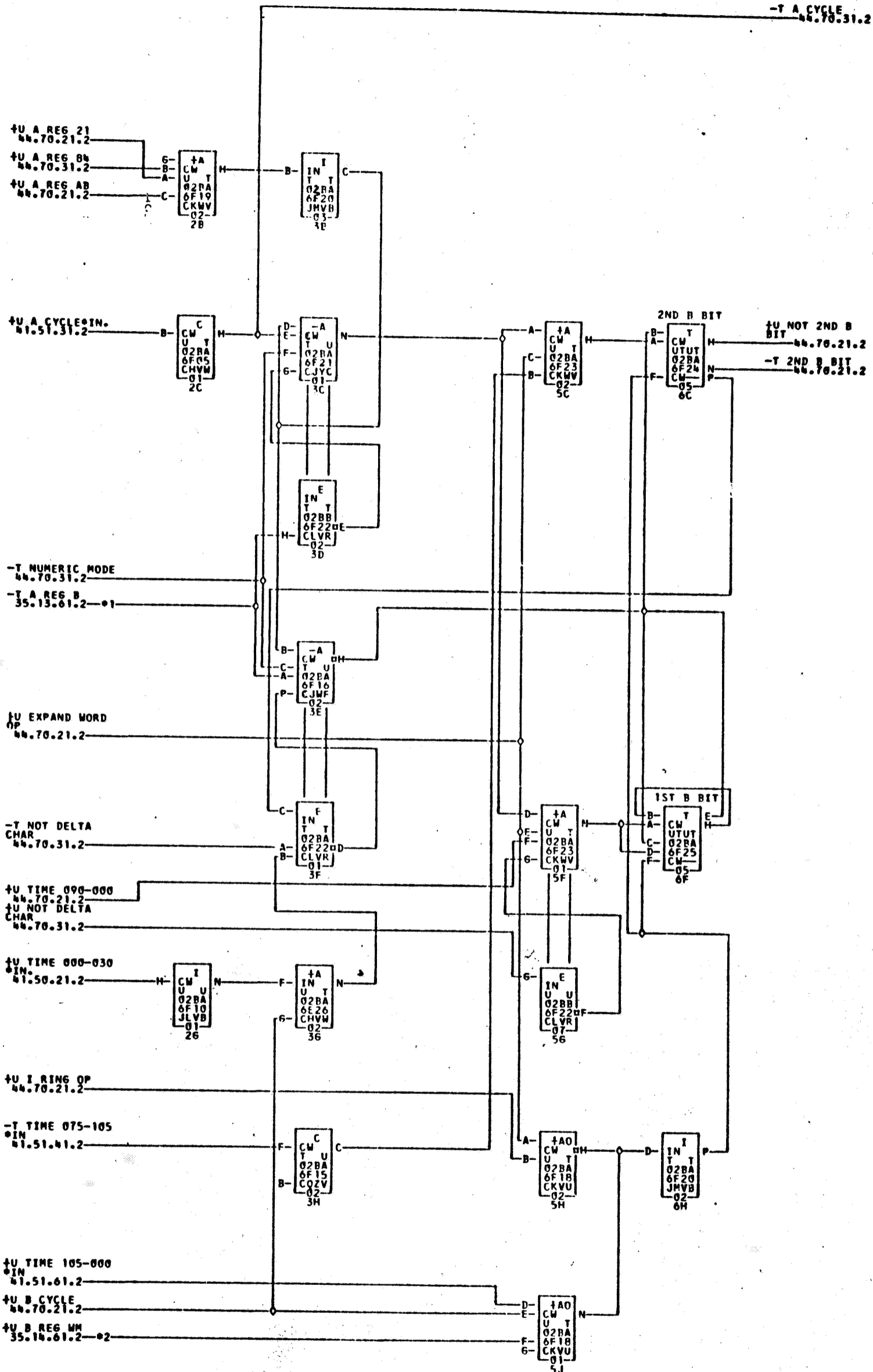


- 01-0220A02P
- 02-0220A02P
- 03-0220A02P
- 04-0220A02P
- 05-0220A02P
- 06-0220A02P

COMMENTS

TAG DATE: 26.4.62 TAG DATE: 5.3.63 TAG DATE: 17.7.64 TAG DATE: 17.7.64

729162



*1-02B6C01P *2-02B6C010

729163