

6729172

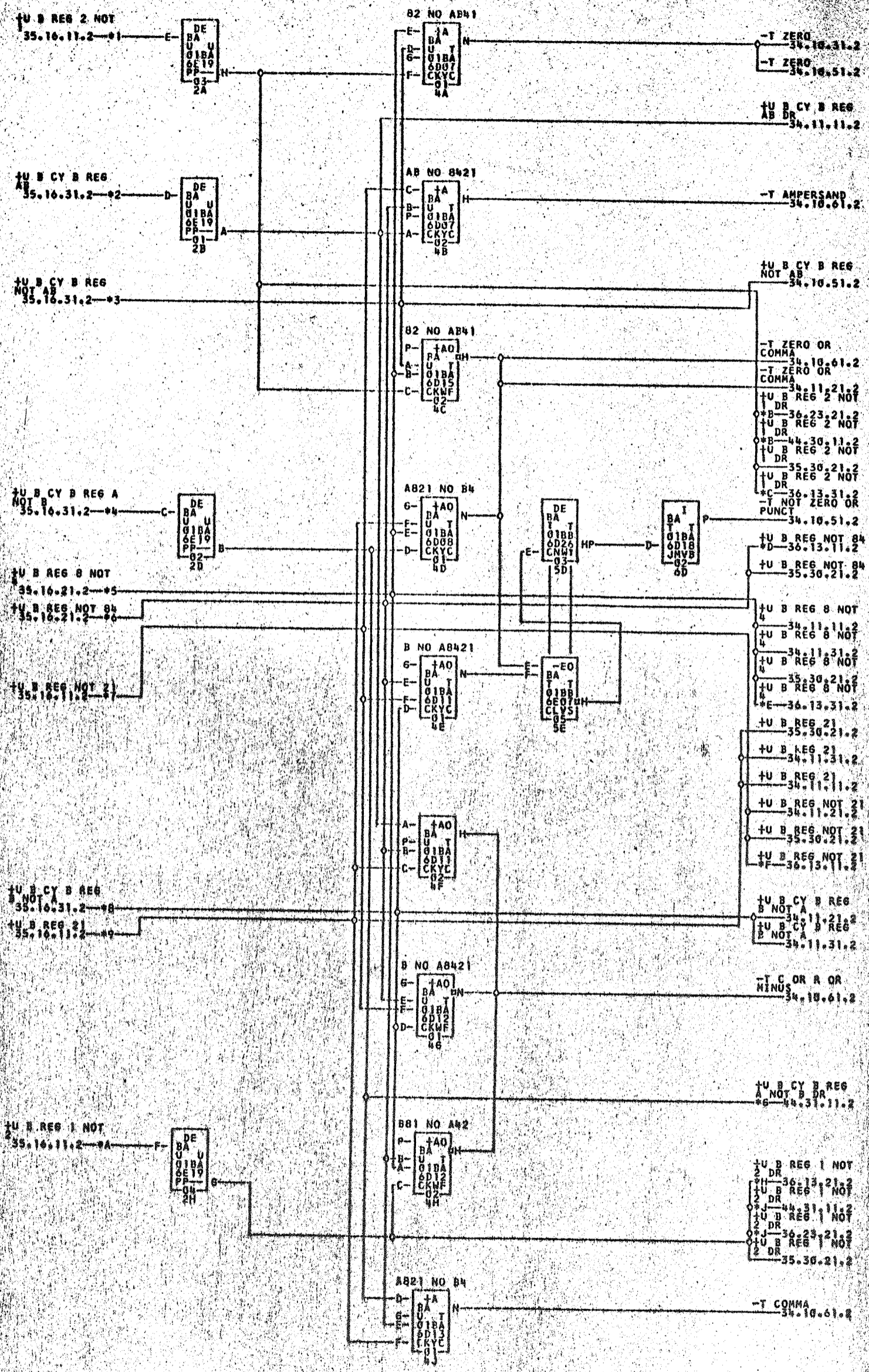
EDIT

1401 BA

34.10.11.2

TAG DATE

A 5.4.62
TA 1233B
B 5.3.63
TA 1771A



- *1 - 01B6D02K
- *2 - 01B6D02N
- *3 - 01B6D02U
- *4 - 01B6D02B
- *5 - 01B6D02F
- *6 - 01B6D02H
- *7 - 01B6D02M
- *8 - 01B6D02P
- *9 - 01B6D02R
- *10 - 01B6D02S
- *11 - 01B6D02T
- *12 - 01B6D02V
- *13 - 01B6D02W
- *14 - 01B6D02X
- *15 - 01B6D02Y
- *16 - 01B6D02Z

COMMENTS

TAG DATE	E.C.NO.	TAG DATE	E.C.NO.	TAG DATE	E.C.NO.	TAG DATE	E.C.NO.
12-10-61	115430	12-11-61	115430				

729172

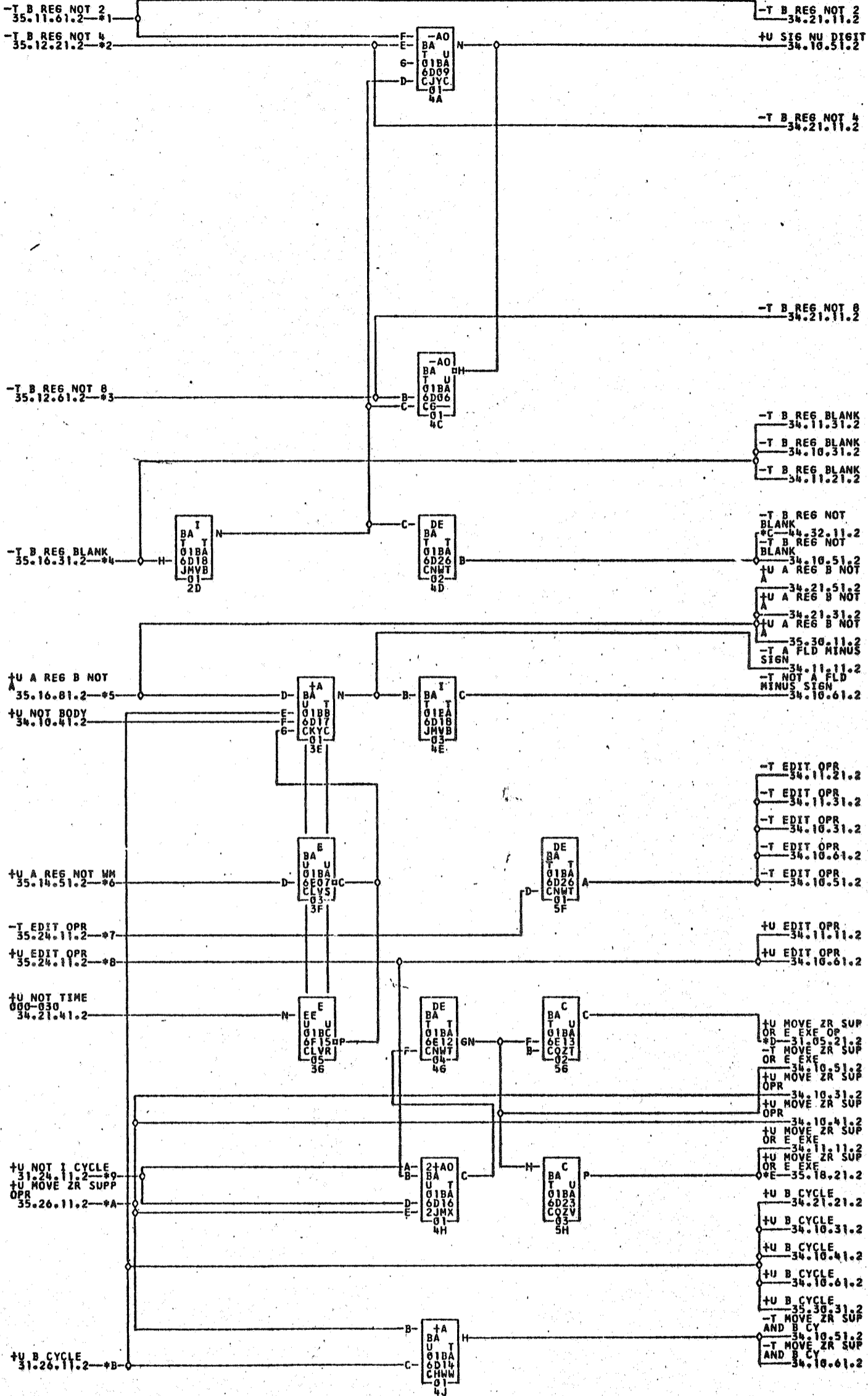
0729173

EDIT

1401 BA

34.10.21.2

TAG DATE



B 12.7.82

TA 1370F

C 5.3.83

TA 1771A

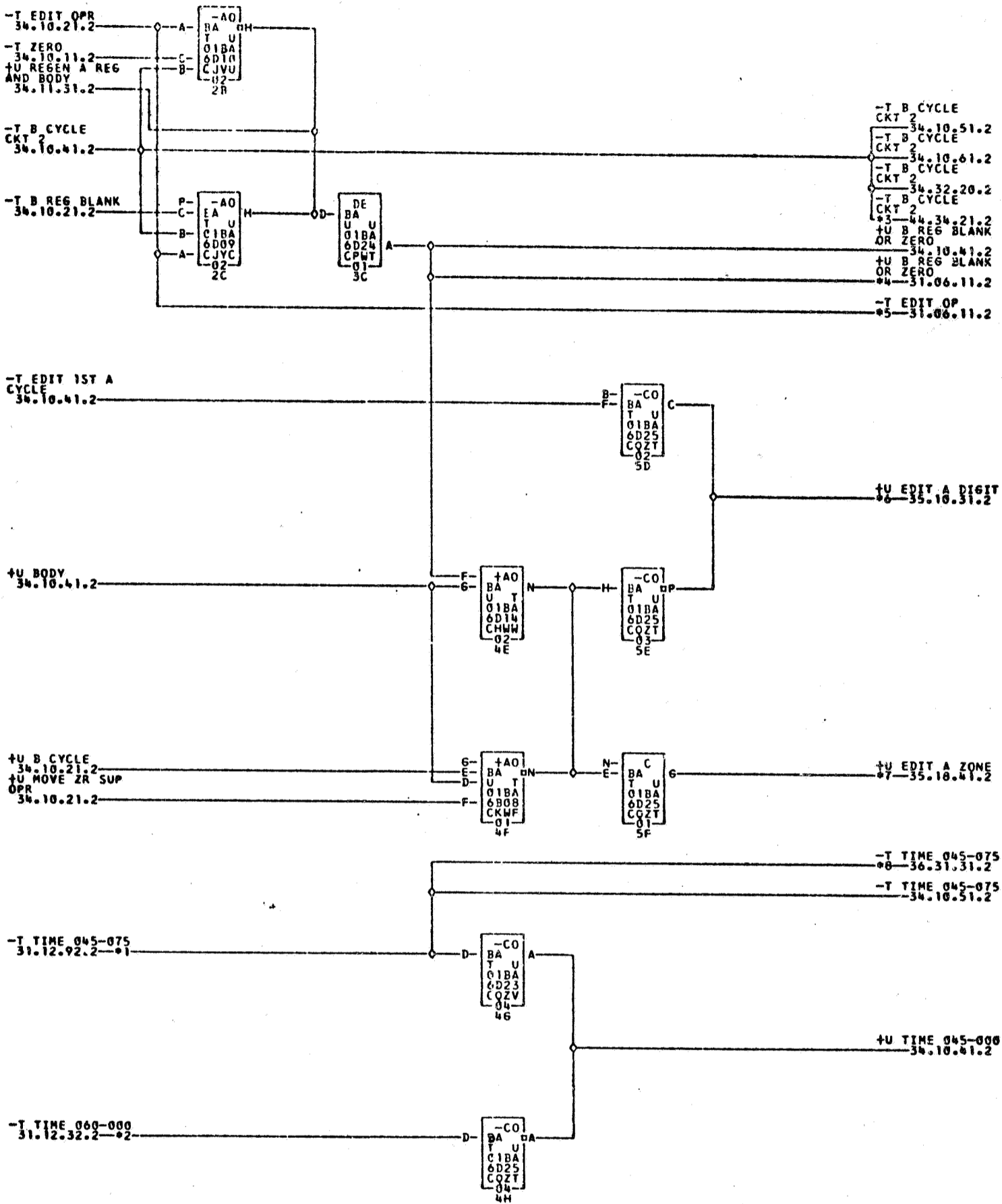
- *1-01B6E02M *2-01B6E02L *3-01B6E02K *4-01B6B02R *5-01B6B02C *6-01B6A01H
- *7-01B6D01N *8-01B6D01B *9-01B6B01A *A-01B6D01F *B-01B6B01B *C-01B6F03H
- 02A9D17D 02A8B25H *D-01B6E01G *E-01B6C02K 01A3B26K

COMMENTS

TAG DATE	E.C.NO.	TAG DATE	E.C.NO.	TAG DATE	E.C.NO.	TAG DATE	E.C.NO.
A 12-18-61	113530	B 05-01-62	114138	C 12-11-62	114178		

729173

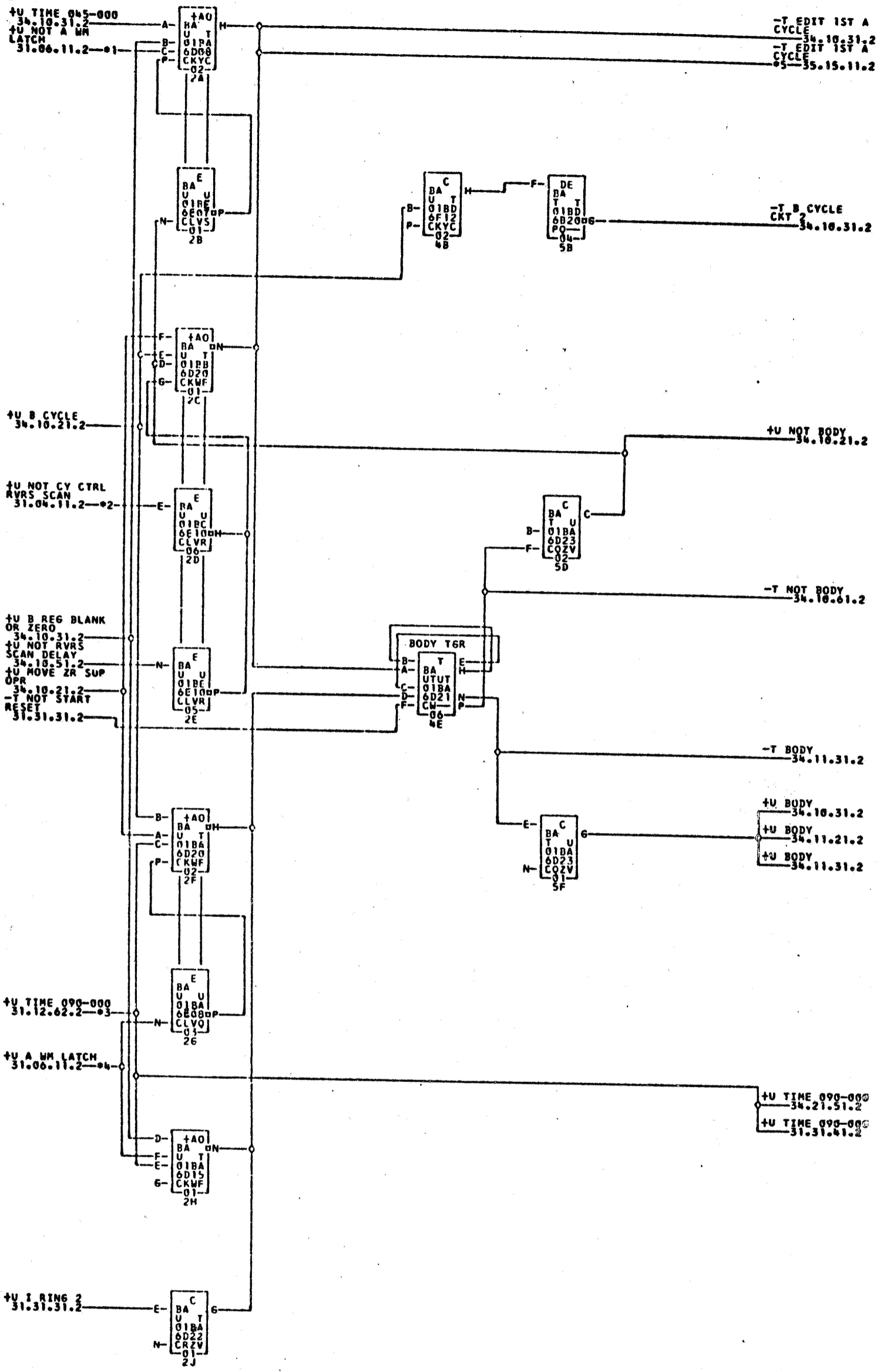
1771A



- *1-01B6C01E
- *2-01B6F01P
- *3-01B6F03C
- *4-01B6E01K
- *5-01B6H01D
- *6-01B6C02C
- *7-01B6C02R
- *8-01B6C03B

COMMENTS	TAG DATE	E.C.NO.	TAG DATE	E.C.NO.	TAG DATE	E.C.NO.	TAG DATE	E.C.NO.
	A 12-14-61	113538	B 10-23-62	114164	C 12-11-62	114178		

729174



*1-01B6E01H *2-01B6B01R *3-01B6C01B *4-01B6E01J *5-01B6C02D —01A3B26D

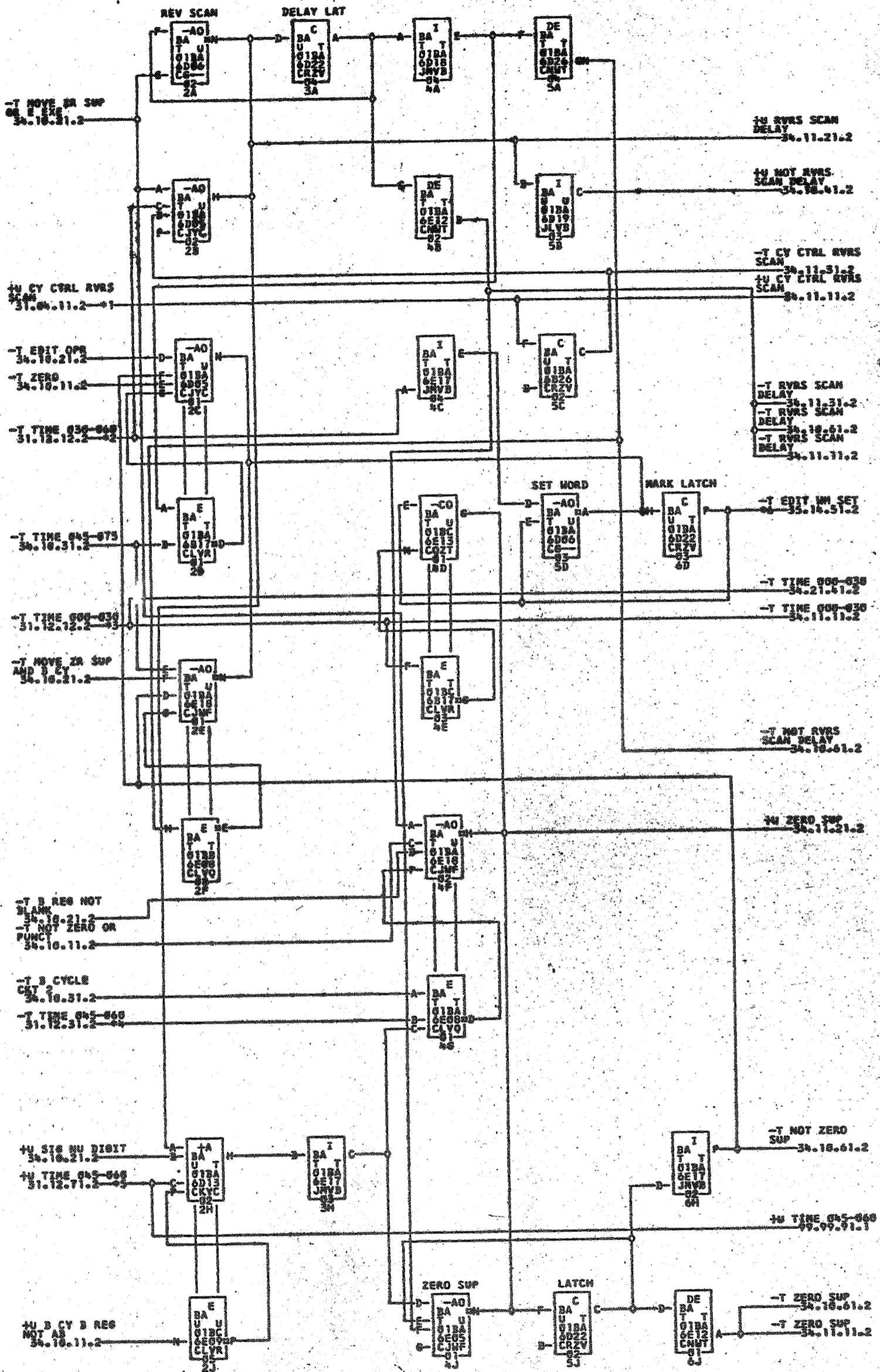
COMMENTS

TAG DATE	E.C.NO.	TAG DATE	E.C.NO.	TAG DATE	E.C.NO.	TAG DATE	E.C.NO.
A 12-14-61	113530	B 01-23-62	113830	C 05-01-62	114138	D 10-23-62	114164
E 12-11-62	114178						

729175

36.11.63
TA 1771A

D 12.11.63
TA 604A



*1-018601B

*2-018601C

*3-018601D

*4-018601F

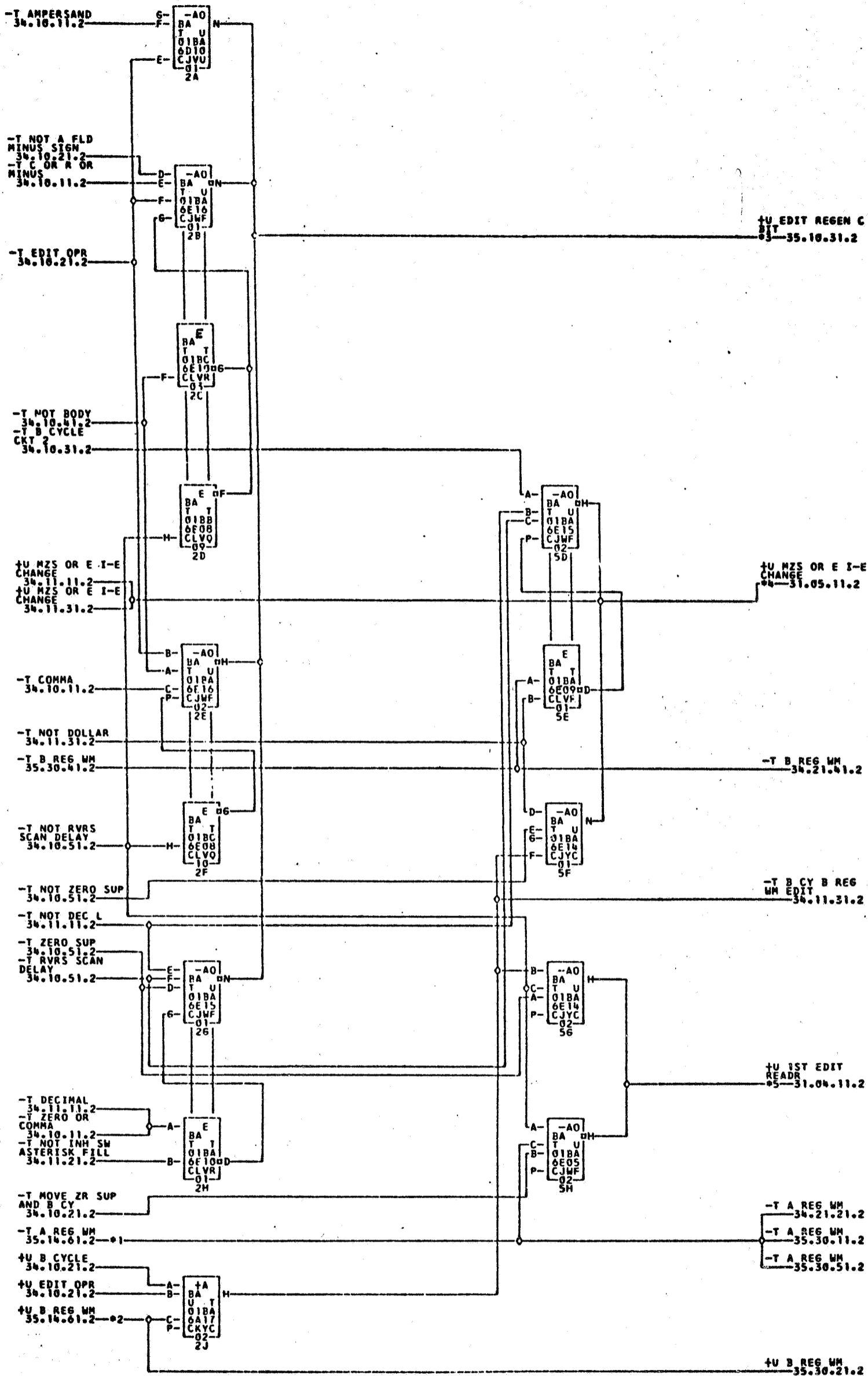
*5-018601G

*6-018602F

COMMENTS

TAG DATE	F.C.NO.	TAG DATE	F.C.NO.	TAG DATE	F.C.NO.	TAG DATE	F.C.NO.
A 12-10-61	115530	B 01-23-62	115230	C 12-11-62	115178	D 09-25-63	118575B

729176



*1-01B6A01A

*2-01B6A01J

*3-01B6C02E

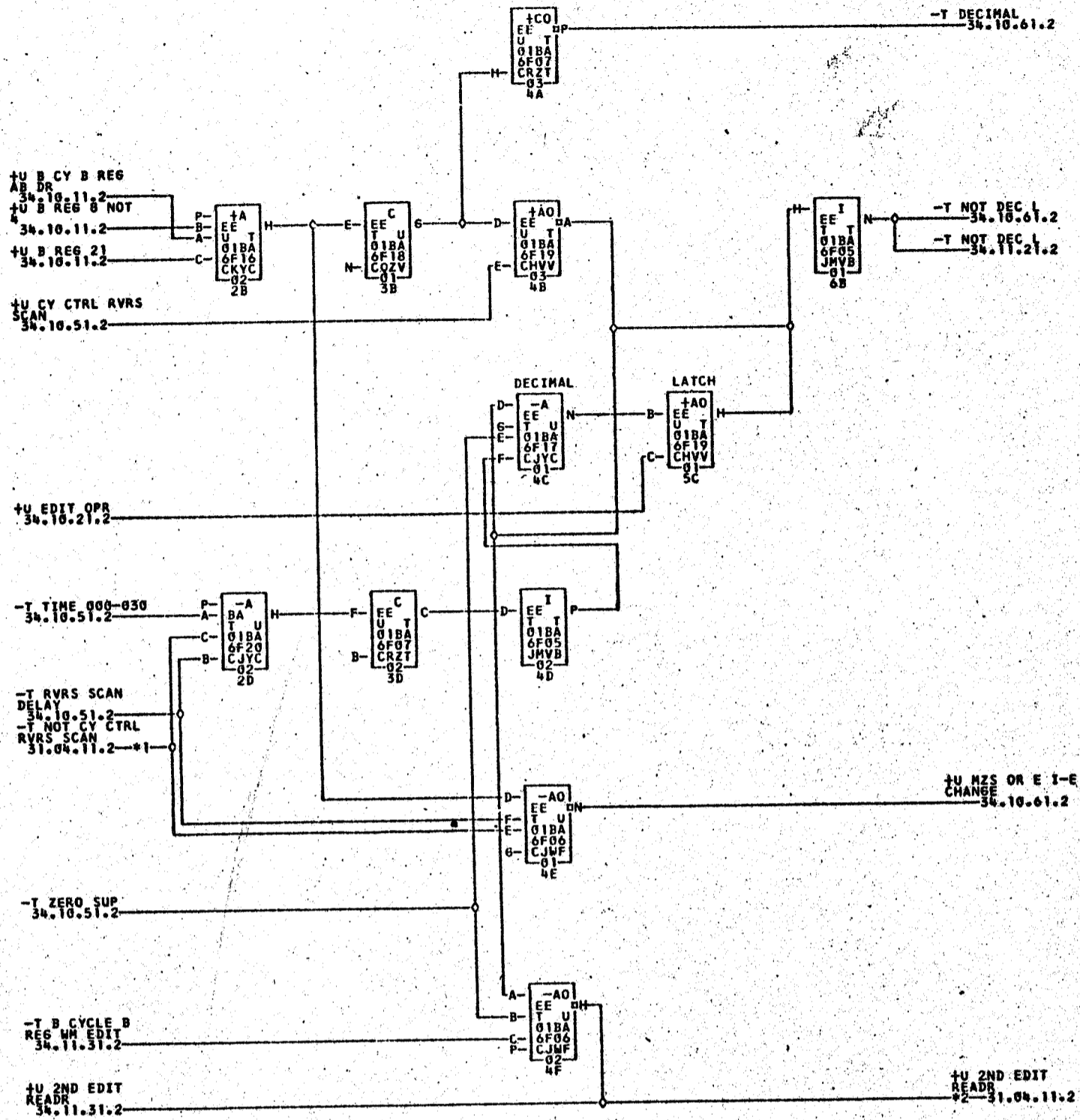
*4-01B6B01L

*5-01B6B01J

COMMENTS

TAG DATE	E.C.NO.	TAG DATE	E.C.NO.	TAG DATE	E.C.NO.	TAG DATE	E.C.NO.
A 12-18-61	113530	B 01-23-62	113630	C 12-11-62	114178		

729177



*1-01B6E01C

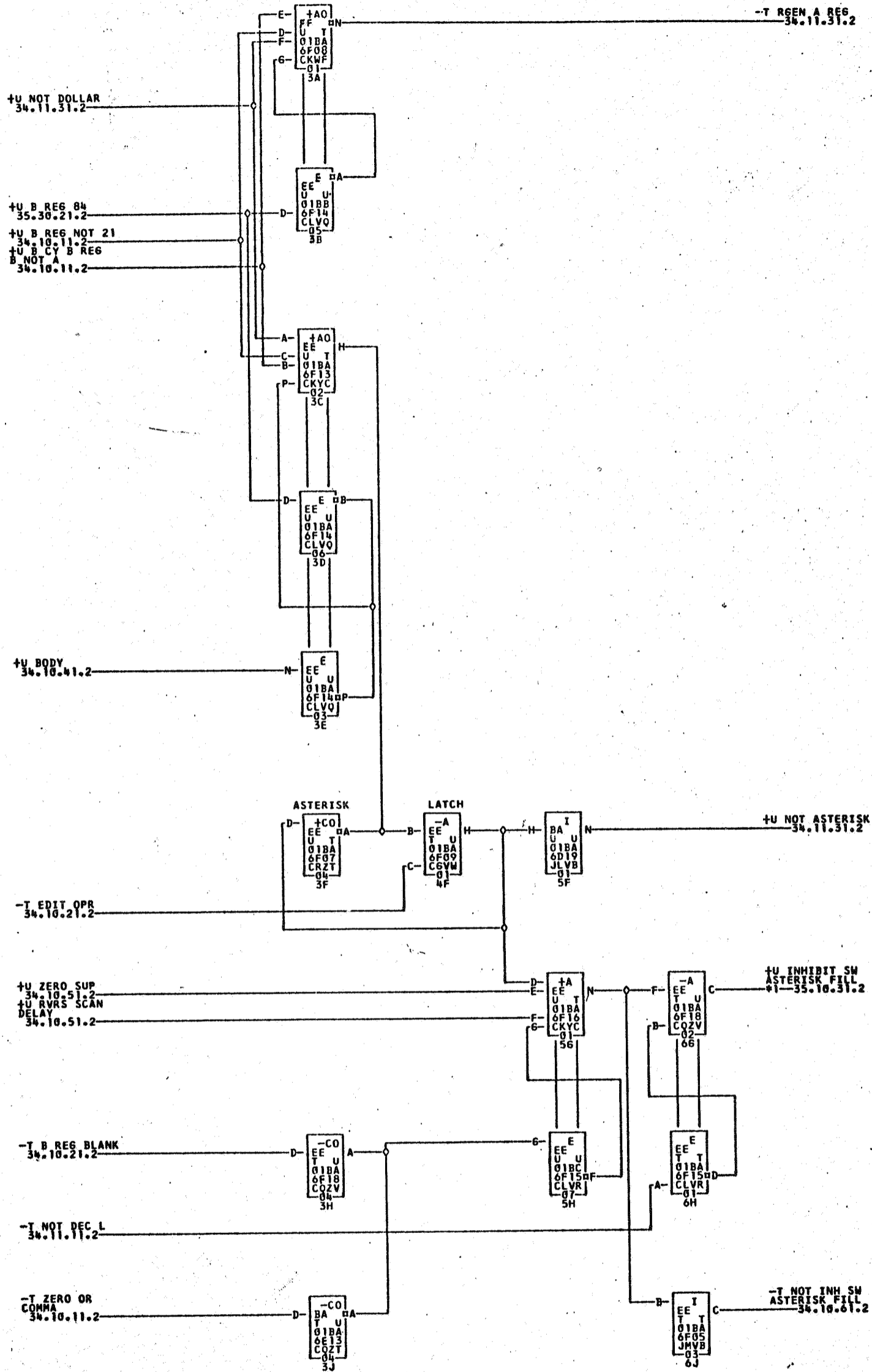
*2-01B6B01K

COMMENTS

TAG DATE	E.C.NO.	TAG DATE	E.C.NO.	TAG DATE	E.C.NO.	TAG DATE	E.C.NO.
A 12-18-61	113530	B 12-11-62	114178				

729178

1771A



*1--0186C02H

COMMENTS

TAG DATE	E.C.NO.	TAG DATE	E.C.NO.	TAG DATE	E.C.NO.	TAG DATE	E.C.NO.
A 12-18-61	113530	B 05-01-62	114138	C 12-11-62	114178		

729179

11/11/61

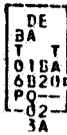
072918C

EXPANDED EDIT DOLLAR OPTION

1401 BA 34.11.31.2

TAG DATE

-T B CY B REG
WM EDIT
34.10.61.2



-T B CYCLE B
REG WM EDIT
34.11.11.2

B 26.4.62
TA 1233D
C 5.3.63
TA 1771A

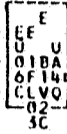
+U BODY
34.10.41.2



+U 2ND EDIT
READR
34.11.11.2



+U TIME 030-060
31.12.51.2-91



+U NOT ASTERISK
34.11.21.2



+U NOT DOLLAR
34.11.21.2

-T EDIT OPR
34.10.21.2
+U E REG 8 NOT
34.10.11.2
+U B CY B REG
B NOT A
34.10.11.2



-T NOT DOLLAR
34.10.61.2

+U E REG 21
34.10.11.2



+U REGEN A REG
AND BODY
34.10.31.2

-T BODY
34.10.41.2
-T RGEN A REG
34.11.21.2



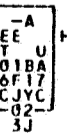
-T RVRS SCAN
DELAY
34.10.51.2

-T CY CTRL RVRS
SCAN
34.10.51.2

-T B REG BLANK
34.10.21.2



+U NZS OR E I-E
CHANGE
34.10.61.2



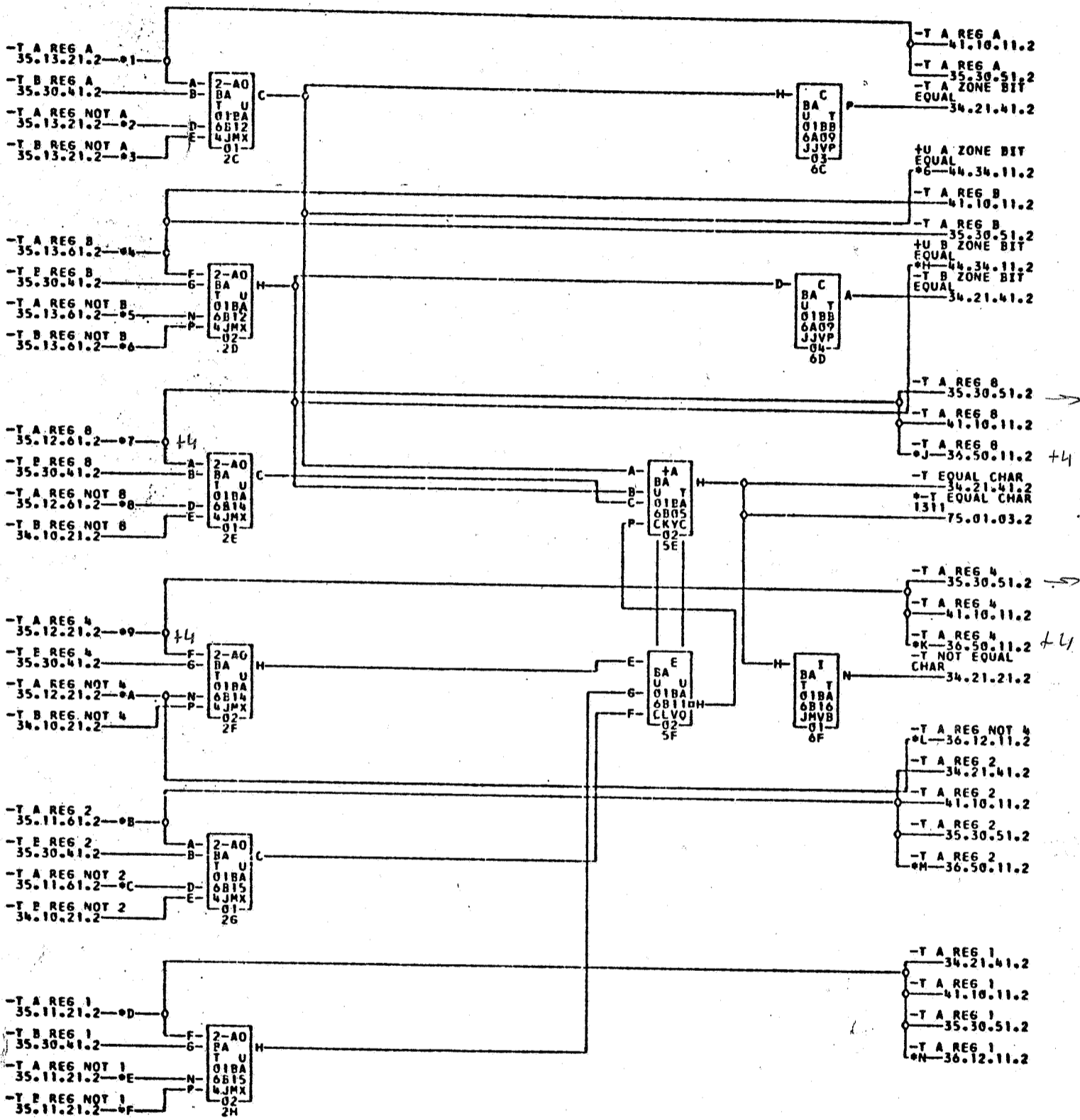
+U FLOAT DOLLAR
32-35.10.31.2

*1-01B6D01C *2-01B6C026 01A3B266

COMMENTS

TAG DATE E.C.NO. TAG DATE E.C.NO. TAG DATE E.C.NO. TAG DATE E.C.NO.
A 12-18-61 113410 B 01-23-62 113830 C 12-11-62 114178

729180

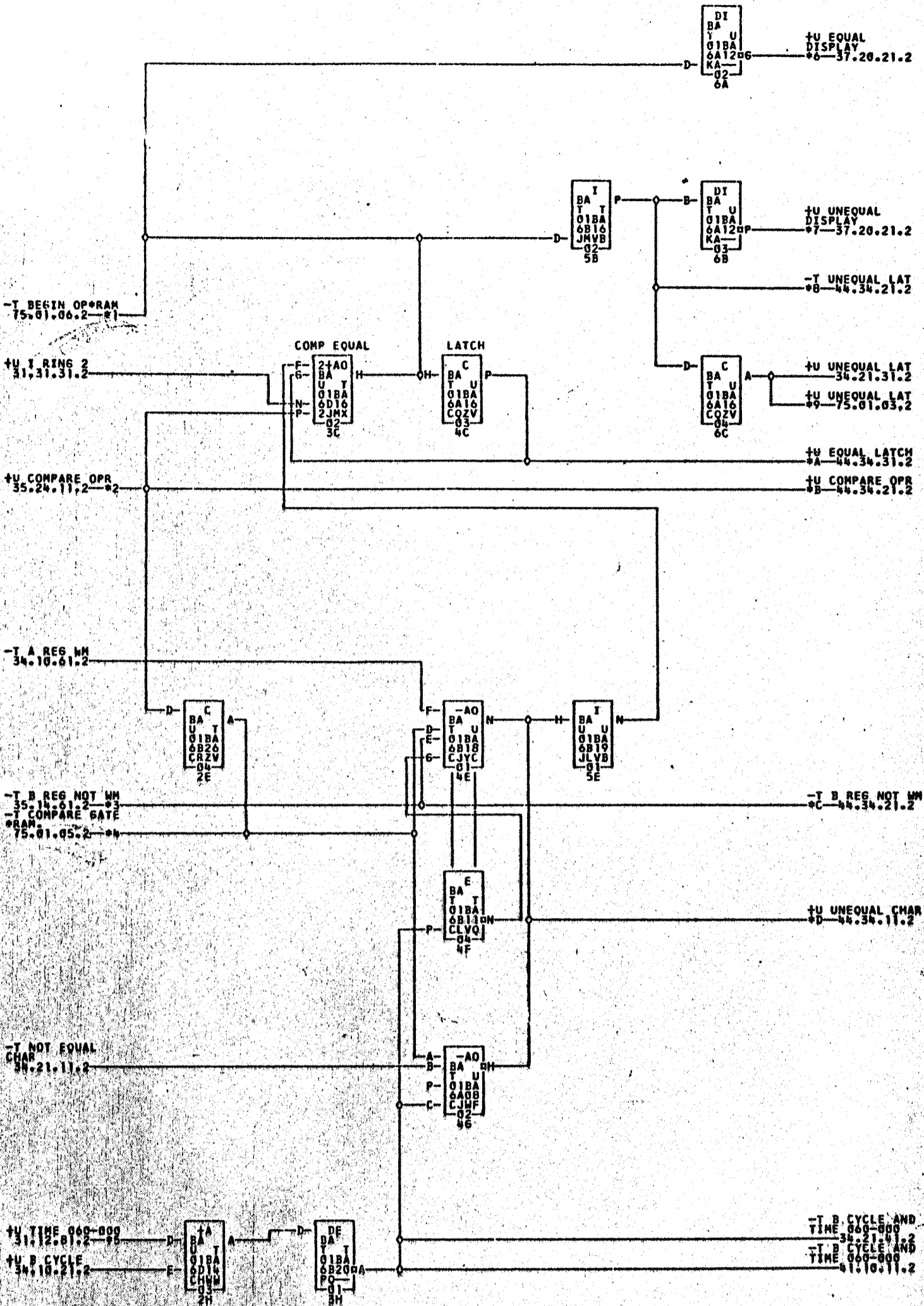


- *1-01B6A01C *2-01B6E02B *3-01B6F02J *4-01B6A01B *5-01B6E02A *6-01B6E02M
- *7-01B6A01D *8-01B6F02C *9-01B6A01E *A-01B6E02D *B-01B6A01F *C-01B6E02E
- *D-01B6A01G *E-01B6E02F *F-01B6E03N *G-01B6F03F *H-02A9D05D *I-02ABB25F
- *J-01B6F03E *K-02A9D03D *L-02ABB25E *M-01B6F03D *N-01B4E03D *O-01B6E03C
- *P-01B4E03C *Q-01B6A03R *R-01B4B02R *S-01B6E03B

COMMENTS
NOTE ASTERISK PRECEDING SIGNAL
INDICATES DIRECT CABLE EXPANSION

TAG DATE E.C.NO. TAG DATE E.C.NO. TAG DATE E.C.NO. TAG DATE E.C.NO.
A 12-18-61 113530 B 04-17-62 114134 C 12-11-62 114178

729181



- #1-01B6F03P
- #2-01B6D01A
- #3-01B6E02P
- #4-01B6F03N
- #5-01B6C01H
- #6-01B6A02H
- #7-01B6A02J
- #8-01B6F03A
- #9-01B6C01N
- #A-01B6F03B
- #B-01B6B25A
- #C-01B6F03K
- #D-01B6F036
- #E-01B6B25H
- #F-01B6B25D
- #G-01B6F036
- #H-01B6F036
- #I-01B6F036
- #J-01B6F036

COMMENTS

TAG DATE: 12-18-61 FIC NO: 115538 |
 TAG DATE: 05-01-62 FIC NO: 116136 |
 TAG DATE: 12-11-62 FIC NO: 116178 |
 TAG DATE: E.C. NO.

729182

0729183

PROGRAM SKIP POSITIVE TEST

1401 BA 34.21.31.2

TAG DATE

-T PROCESS CHECK
31.09.11.2-91

T PROCESS CHECK
31.11.03.2

B 7.2.63
TA 1713A

C 5.3.63
TA 1771A

+U UNEQUAL LAY
34.21.21.2

+U BRANCH ON PROC ERROR 10V
34.21.21.2-92

+U A REG NOT 21
35.16.01.2-93

+U A REG A NOT
35.16.01.2-94

+U A REG NOT 04
35.16.71.2-95

+U PRINTER CHECK
34.21.51.2

+U SENSE SW A
37.30.31.2-96

+U READ END
36.10.11.2-97

+U A REG AB
35.16.01.2-98

+U A REG I NOT
35.16.01.2-99

+U A REG 04
35.16.71.2-9A

+U READ ERROR
34.21.51.2

+U A REG 2 NOT
35.16.51.2-9B

+U A REG B NOT
35.16.71.2-9C

+U A REG B NOT
34.10.21.2

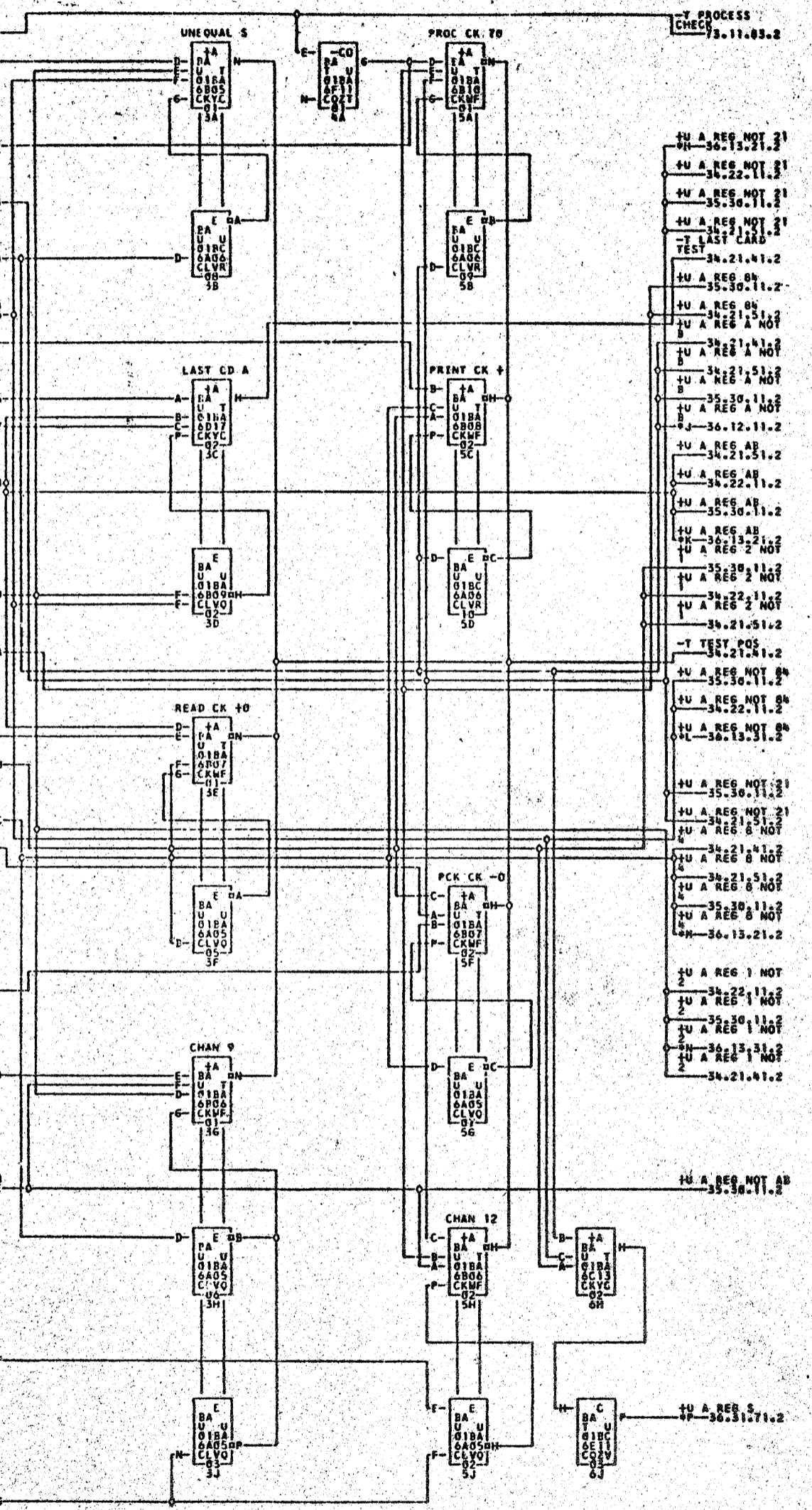
+U PUNCH CHECK
34.21.51.2

+U CH 9
36.43.31.2-9D

+U A REG NOT AB
35.16.01.2-9E

+U CH 12
36.43.31.2-9F

+U NOT CARR INLK 9PF ONLY
36.31.31.2-9G



- *1-01B6E01F
- *2-01B6F02G
- *3-01B6B02H
- *4-01B6B02B
- *5-01B6B02H
- *6-01B6A02A
- *7-01B6A03A
- *8-01B6B02A
- *9-01B6B02E
- *A-01B6B02K
- *B-01B6B02K
- *C-01B6A02A
- *D-01B6B01B
- *E-01B6B02D
- *F-01B6B03C
- *G-01B6E03K
- *H-01B6E03K
- *I-01B6E03L
- *J-01B6E03M
- *K-01B6E03M
- *L-01B6E03M
- *M-01B6E03M
- *N-01B6E03M
- *O-01B6E03M
- *P-01B6E03M
- *Q-01B6E03M
- *R-01B6E03M
- *S-01B6E03M
- *T-01B6E03M
- *U-01B6E03M
- *V-01B6E03M
- *W-01B6E03M
- *X-01B6E03M
- *Y-01B6E03M
- *Z-01B6E03M

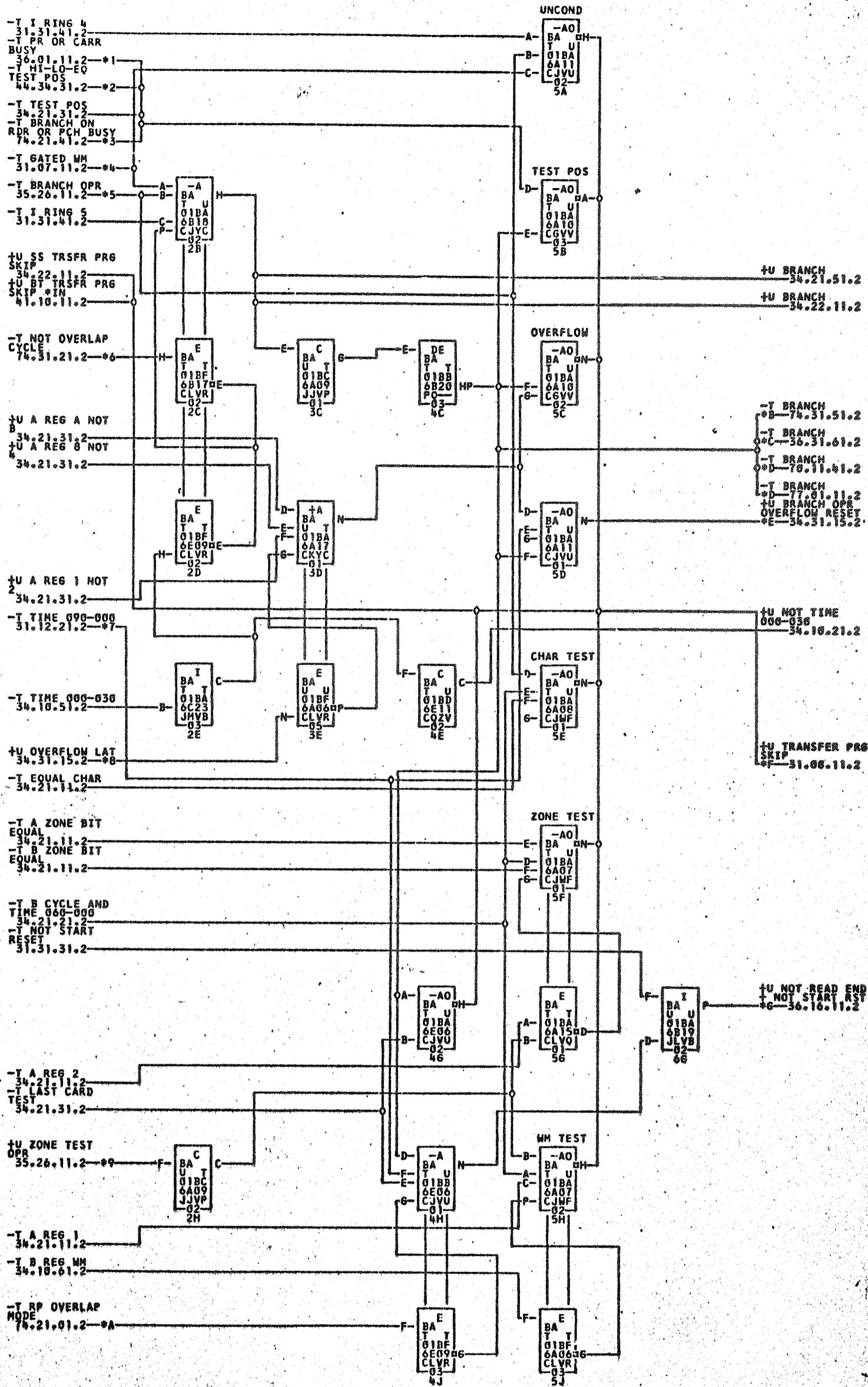
COMMENTS TAG DATE FIC NO TAG DATE FIC NO TAG DATE FIC NO TAG DATE FIC NO

A 12-16-61 11353A B 10-23-62 11410A C 12-11-62 11517B

729183

E 7.2.63
TA 1713A

F 5.3.63
TA 1771A



- *1-01B6C03R
- *2-01B6F03B
- *3-01B6F02B
- *4-01B6C01P
- *5-01B6D01E
- *6-01B6F02A
- *7-01B6C01J
- *8-01B6F01N
- *9-01B6D01P
- *A-01B6F02J
- *B-01B6F02F
- *C-01B6C03A
- *D-01B6D01N
- *E-01B6F01R
- *F-01B6C03N
- *G-02A2C23H
- *H-02A8C23K
- *I-01B7D01K
- *J-01B6E03F
- *K-01B6E03F
- *L-01B6E03F
- *M-01B6E03F
- *N-01B6E03F
- *O-01B6E03F
- *P-01B6E03F
- *Q-01B6E03F
- *R-01B6E03F
- *S-01B6E03F

COMMENTS

TAG DATE F.C.NO. TAG DATE F.C.NO. TAG DATE F.C.NO. TAG DATE F.C.NO.
 A 12-18-61 113530 B 01-23-62 113830 C 04-17-62 114134 D 05-01-62 114130
 E 12-23-62 114164 F 12-11-62 114178

729184

0729185

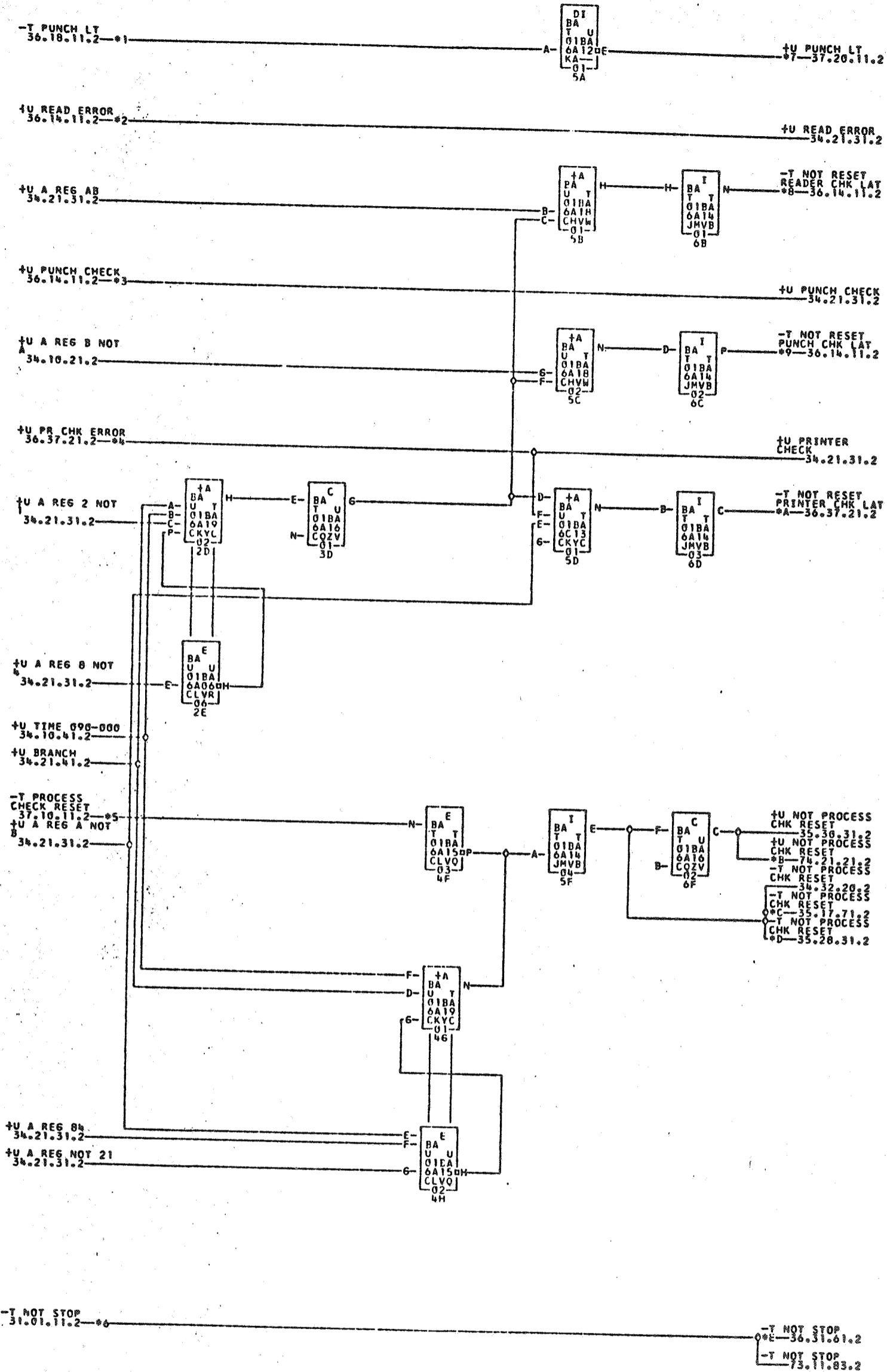
CHECK RESET CONTROL

1401 BA 34.21.51.2

TAG DATE

B 7.2.63
TA 1713A

C 5.3.63
TA 1771A



- *1-01B6A03B *2-01B6A03M *3-01B6A03N *4-01B6C03C *5-01B6A02M *6-01B6E01N
- *7-01B6A02P *8-01A2A20J *9-01B6A03O *A-01B6C02J *B-01B4B02C *C-01B6C03D
- *E-01B6F02D *F-02A0F07D *G-02B1D02R *H-01B6D01D *I-01B6A02D

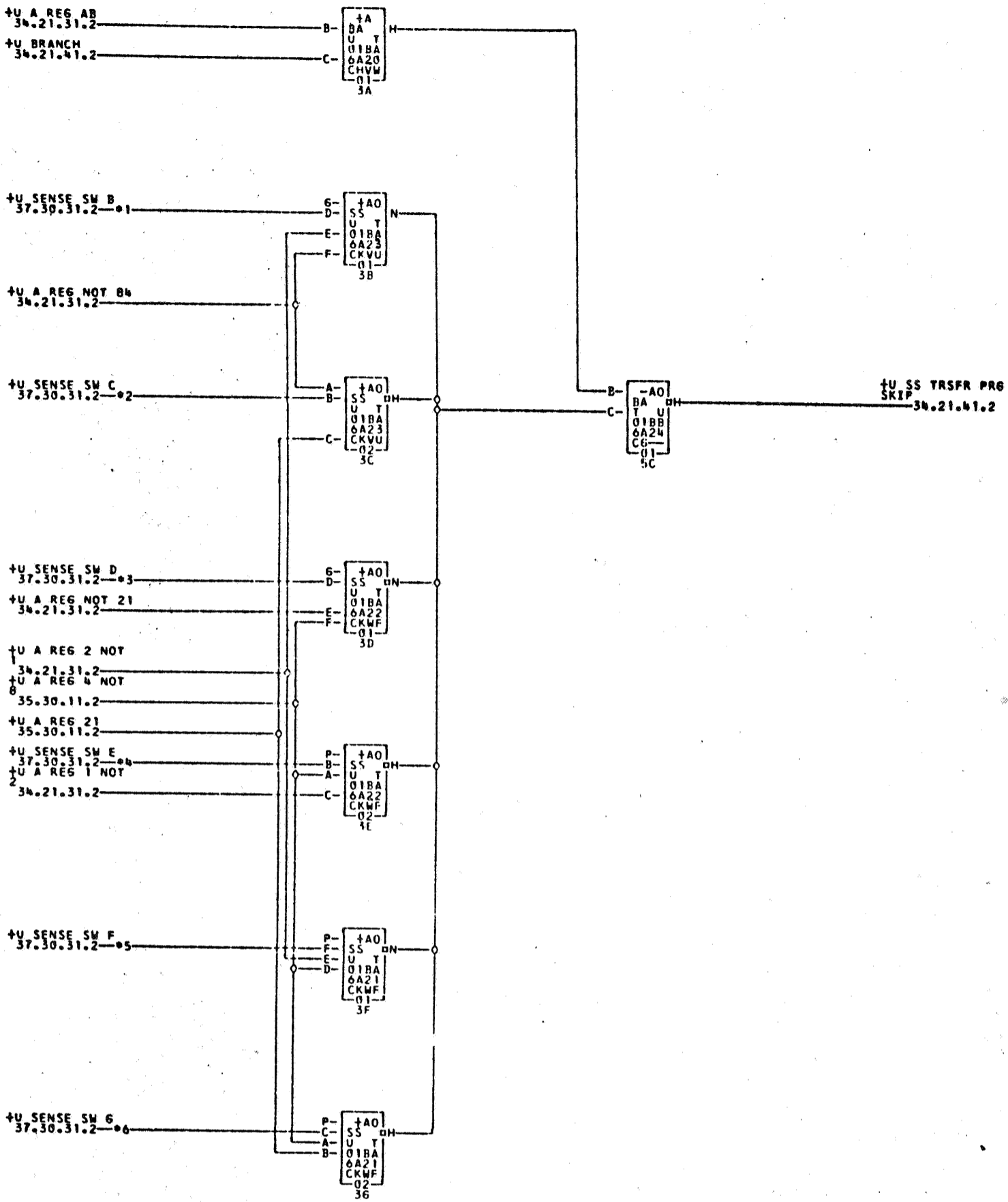
COMMENTS

TAG DATE	E.C.NO.	TAG DATE	E.C.NO.	TAG DATE	E.C.NO.	TAG DATE	E.C.NO.
A 12-18-61	113530	B 10-23-62	114164	C 12-11-62	114178		

729185

A 5.4.62
TA 1233B

B 5.3.63
TA 1771A



- *1—01B6A02B
- *2—01B6A02C
- *3—01B6A02D
- *4—01B6A02E
- *5—01B6A02F
- *6—01B6A026

COMMENTS

TAG DATE	E.C.NO.	TAG DATE	E.C.NO.	TAG DATE	E.C.NO.	TAG DATE	E.C.NO.
A 12-18-61	113530	B 12-11-62	114178				

729186

0729187

QUI-BINARY VALIDITY CHECK MATRIX

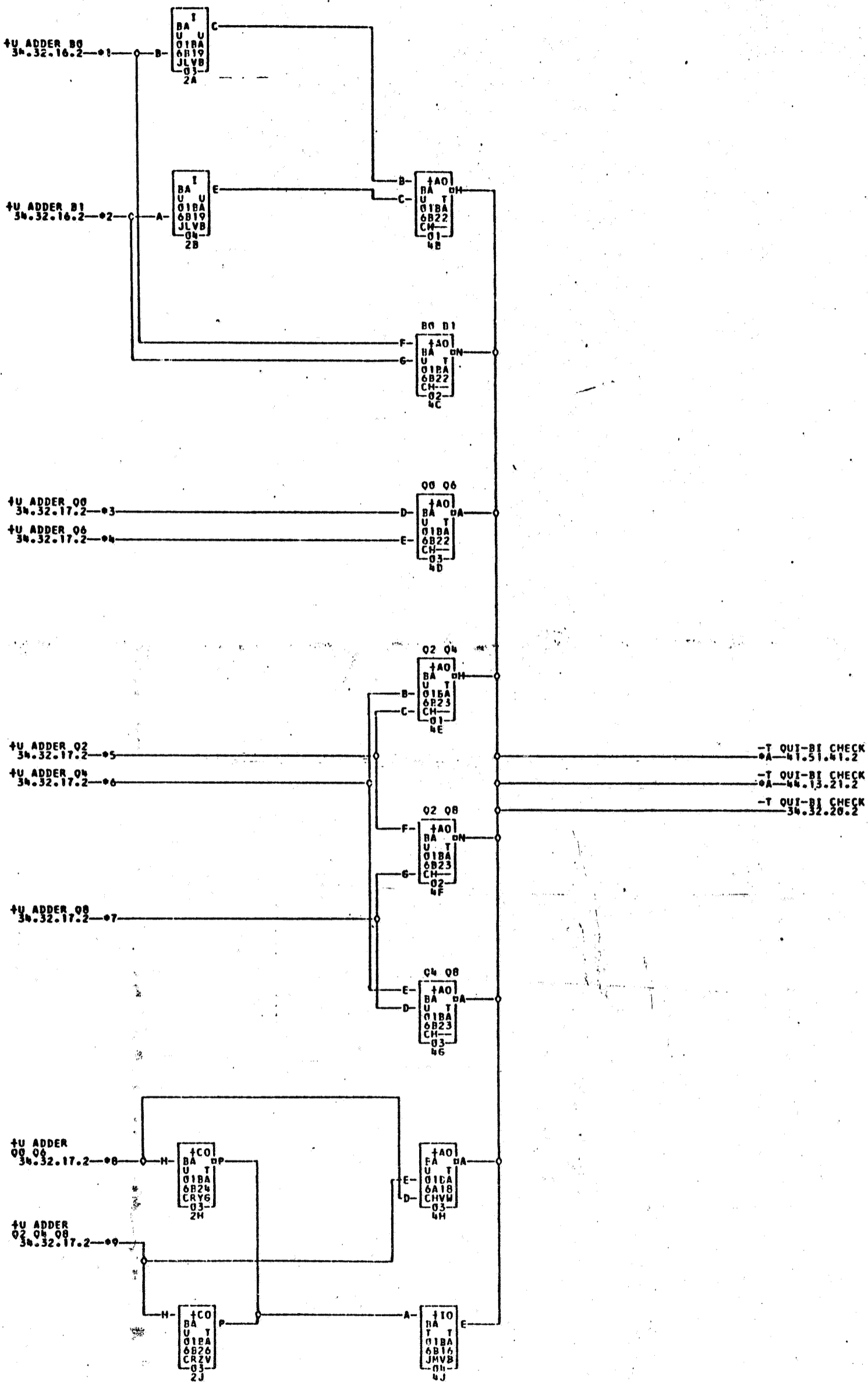
1401 BA

34.32.19.2

TAG DATE

A 5.4.62
TA 1233B

B 5.3.63
TA 1771A



- *1—01B6F01A
- *2—01B6F01B
- *3—01B6F01C
- *4—01B6F01F
- *5—01B6F01D
- *6—01B6F01E
- *7—01B6F01G
- *8—01B6F01H
- *9—01B6F01J
- *A—01B6F03J
- 02A9D11D
- 02B7E02A
- 02B6A03P

COMMENTS	TAG DATE	E.C.NO.	TAG DATE	E.C.NO.	TAG DATE	E.C.NO.	TAG DATE	E.C.NO.
	A 12-14-61	113530	B 12-11-62	114178				

729187

0729106

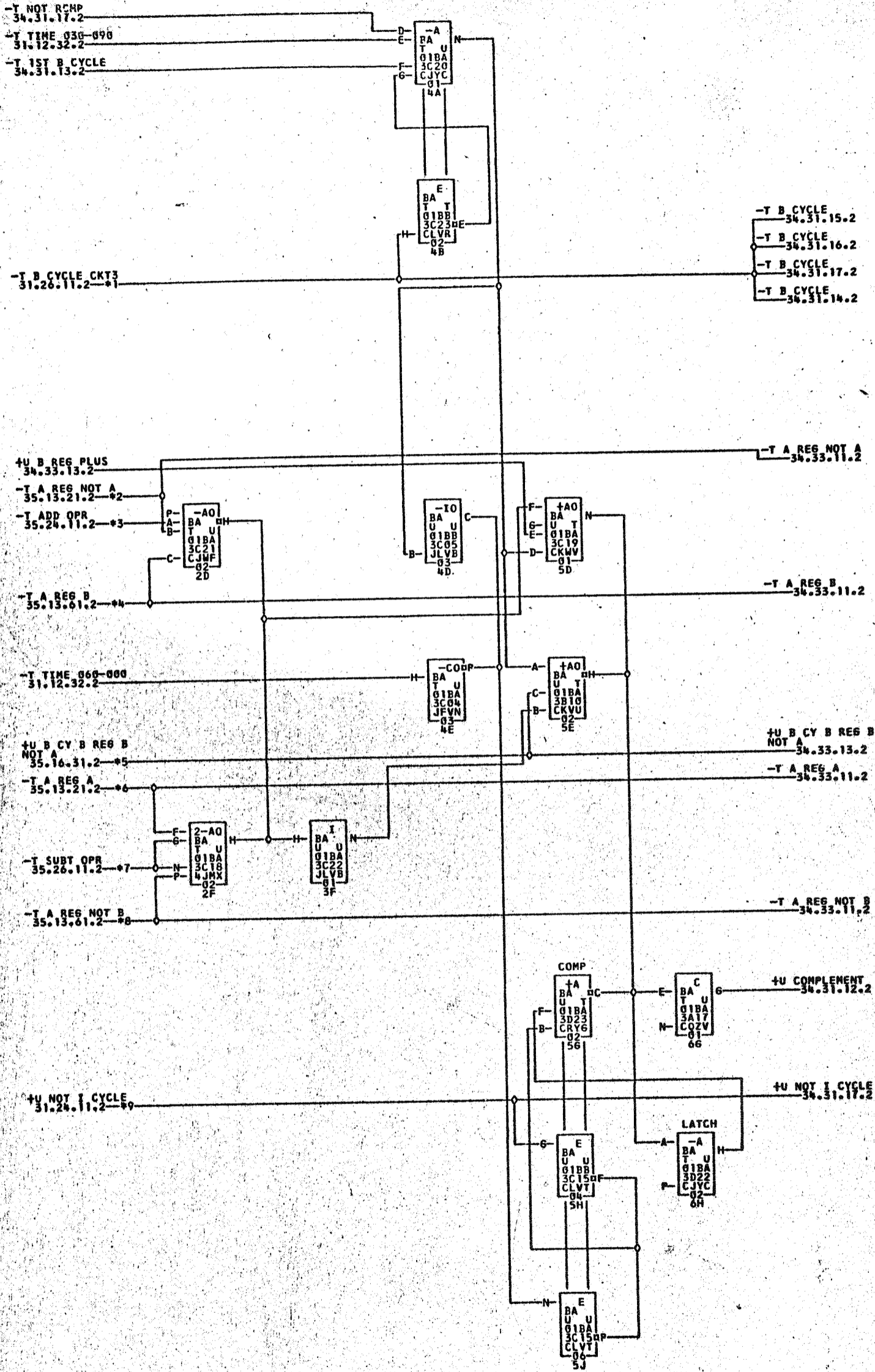
TRUE COMPLEMENT ANALYSIS

1481 EA 34.31.17.2

TAG DATE

A 5.4.62
TA 1233B

B 5.3.63
TA 1771A



*1-01B3E03A
*7-01B3D02F

*2-01B3B01L
*8-01B3B01M

*3-01B3D02A
*9-01B3E03E

*4-01B3B01K

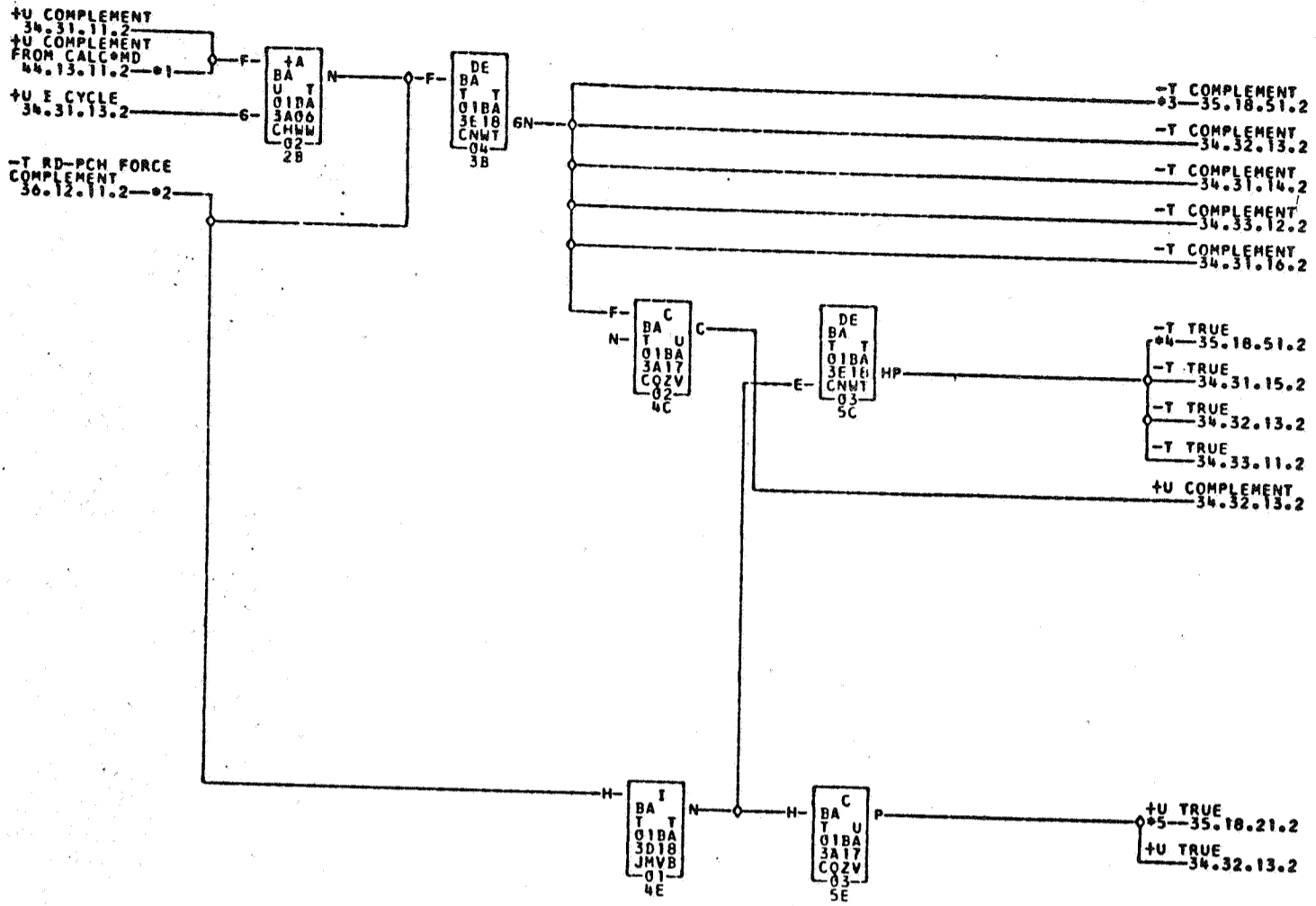
*5-01B3D03P

*6-01B3B01J

WHEN CALCULATE OPTION IS NOT ON MACHINE
CO1H AND CO1N ARE JUMPED TO CO2H AND
CO2N RESPECTIVELY THROUGH AN EDGE
CONNECTOR CABLE.

TAG DATE	E.C.NO.	TAG DATE	E.C.NO.	TAG DATE	E.C.NO.	TAG DATE	E.C.NO.
A 12-18-61	113530	B 12-10-62	114178				

729106



*1-01B3C02N
*5-01B3E01H

*2-01B3C03P
01A3C26H

*3-01B3D01P

01A3C25P

*4-01B3E01H

01A3C26H

COMMENTS

TAG DATE	E.C.NO.	TAG DATE	E.C.NO.	TAG DATE	E.C.NO.	TAG DATE	E.C.NO.
A 12-18-61	113530	B 12-10-62	114178				

729107

0729168

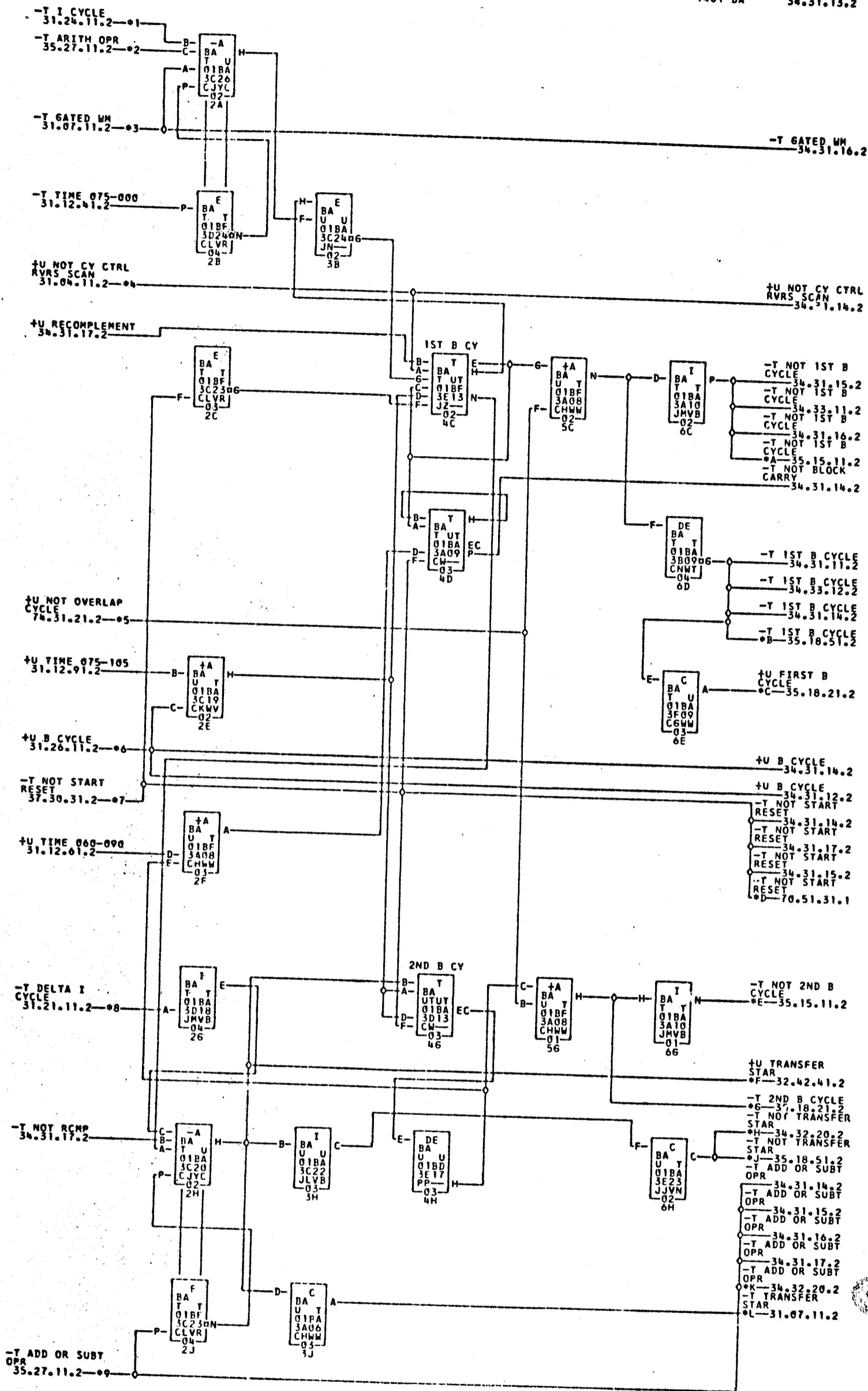
1ST AND 2ND B CYCLE TRIGGERS

1401 BA 34.31.13.2

TAG DATE

E 30.8.62
TA 1441

F 5.3.63
TA 1771A



- *1-01B3B01P
- *2-01B3D02B
- *3-01B3B01Q
- *4-01B3F03F
- *5-01B3A02G
- *6-01B3E03B
- *7-01B3F02J
- *8-01B3D03D
- *9-01B3D026
- *A-01B3I01K
- *1-01A3C26K
- *B-01B3E01J
- *C-01A3C26J
- *D-01B3A03H
- *E-01A3C26H
- *F-01B3A03C
- *G-01A3C26F
- *H-01B3F04K
- *I-01B6F01K
- *J-01B3D01R
- *K-01B3E04L
- *L-01B3E03N
- *M-01B2E04N

COMMENTS

TAG DATE	E.C.NO.	TAG DATE	E.C.NO.	TAG DATE	E.C.NO.	TAG DATE	E.C.NO.
A 12-18-61	113530	B 02-12-62	114242	C 03-21-62	114128	D 03-28-62	114131
E 06-14-62	114148	F 12-10-62	114178				

729108

0729109

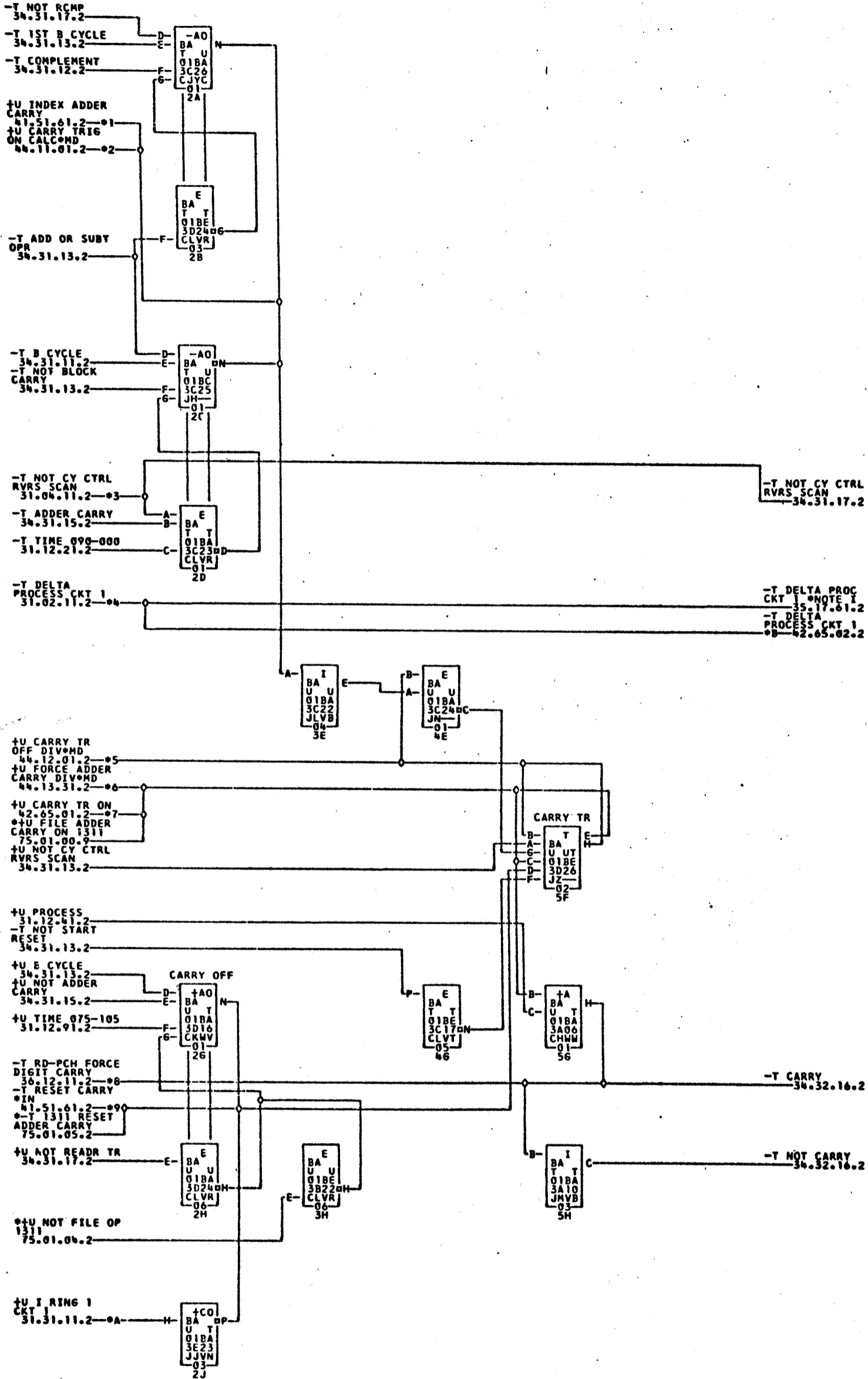
ADDER CARRY

1401 BA 34.31.14.2

TAG DATE

D 7.2.63
TA 1713A

E 5.3.63
TA 1771A



- *1-01B3B03Q *2-01B3B04E ———— 02R7B02E *3-01B3E03H *4-01B3E03M *5-01B3B04L
- *6-01B3B04P *7-01B3A01K ———— 06B7A16K *8-01B3C03R *9-01B3B03P *A-01B3E03K
- *E-01B3A01P ———— 06B7A16P ———— 06B7E02R

COMMENTS
 NOTE1-EXTERNAL CABLE FOR
 OVLV INDICATOR PANEL.
 NOTE ASTERISK PRECEDING SIGNAL
 INDICATES DIRECT CABLE EXPANSION

TAG DATE E.C.NO. TAG DATE E.C.NO. TAG DATE E.C.NO. TAG DATE E.C.NO.
 A 12-18-61 113530 B 04-04-62 114133 C 07-17-62 114156 D 10-23-62 114164
 E 12-18-62 114178

729109

0729111

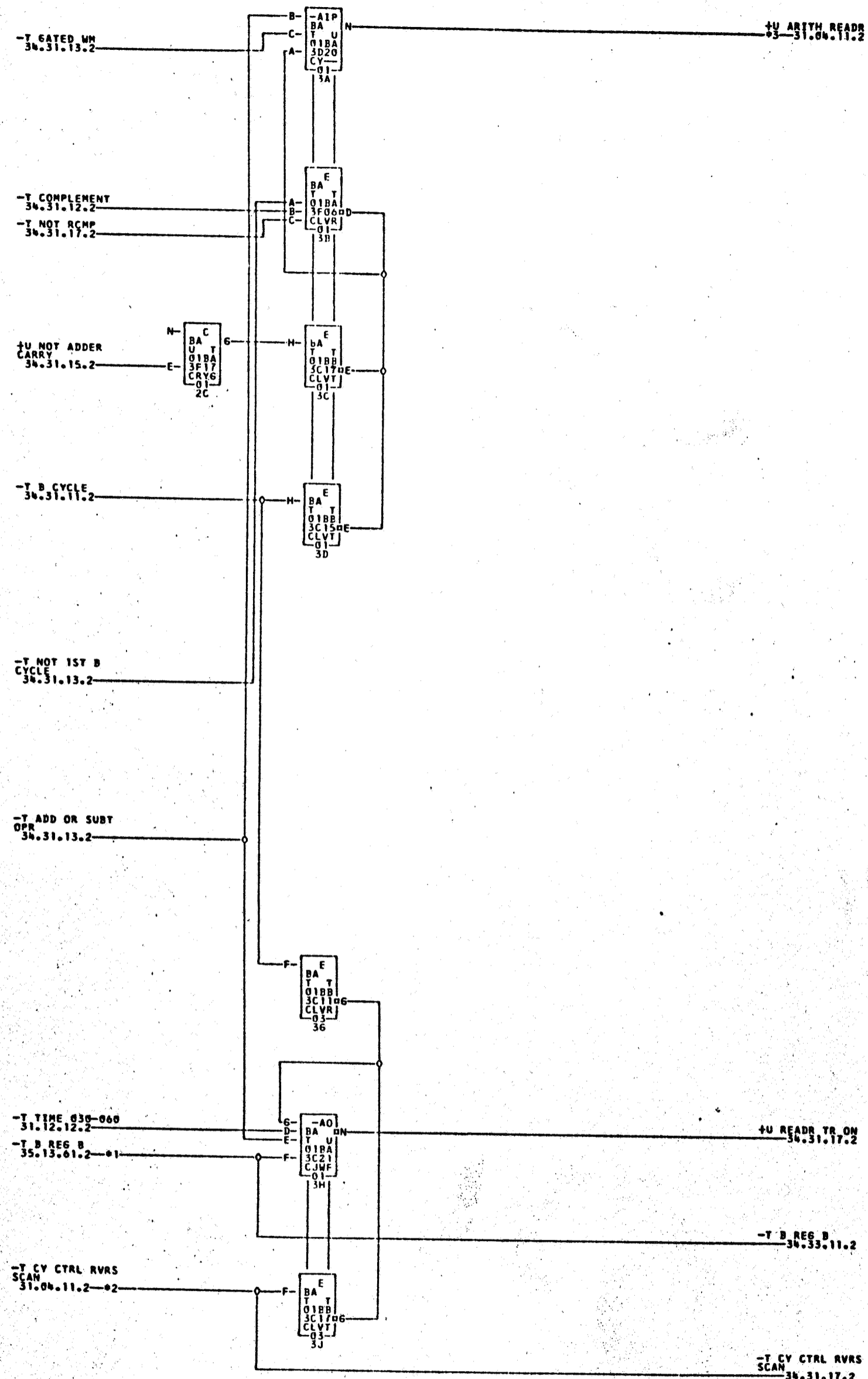
ADD CTRL ARITH RDR RVRS SCAN RDR

1401 BA 30.31.16.2

TAG DATE

A 5.4.62
TA 1233B

B 5.3.63
TA 1771A



*1-01B3D03K *2-01B3E036 *3-01B3E03P ———01B2E04P

COMMENTS

TAG DATE	E.C.NO.	TAG DATE	E.C.NO.	TAG DATE	E.C.NO.	TAG DATE	E.C.NO.
A 12-18-61	113530	B 12-10-62	114178				

729111

-T CY CTRL RVRS

SCAN

-T ADD OR SUBT

OPR

-T TIME 000-015

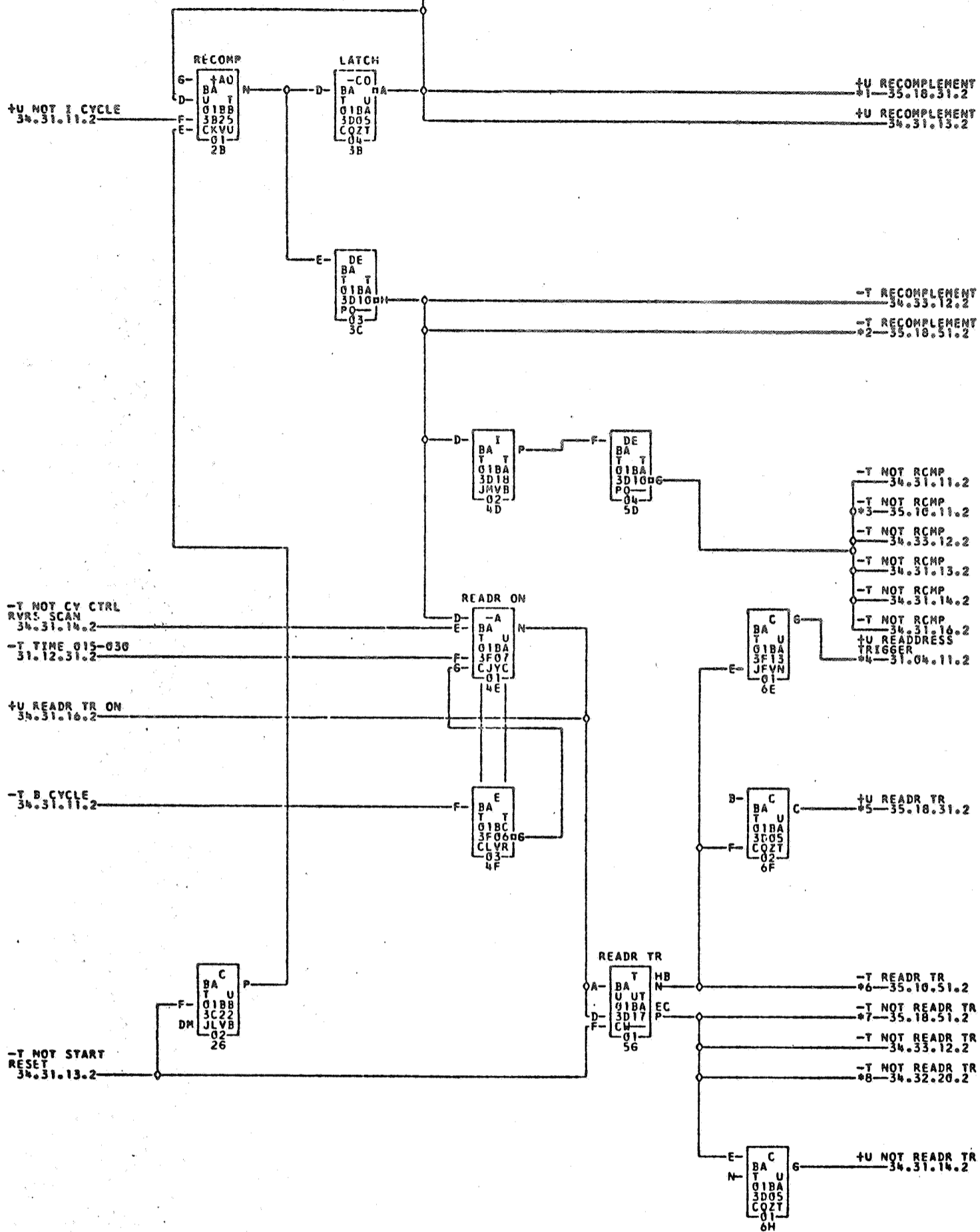
31.12.22.2

B 30.8.62

TA 1441

C 5.3.63

TA 1771A



- *1-01B3D01J
- *4-01B3E03J
- *7-01B3D01N

- 01A3C25J
- 01B2E04J
- 01A3C25N

- *2-01B3D01H
- *5-01P3D01M
- *8-01B3C04M

- 01A3C25H
- 01A3C25M
- 01B6F01M

- *3-01B3D01Q
- *6-01B3D01K

- 01A3C25Q
- 01A3C25R

COMMENTS

TAG DATE E.C.NO. TAG DATE E.C.NO. TAG DATE E.C.NO. TAG DATE E.C.NO.
 A 12-18-61 113530 B 06-14-62 114148 C 12-10-62 116178

729112

0729113

B REGISTER TRANSLATOR

1401 BA 34.32.11.2

TAG DATE

+U B REG NOT 4
35.12.11.2 -#1
+U B REG NOT 1
35.11.21.2 -#2

+U B REG NOT 1
34.32.16.2

A 5. 4.62
TA 1233B

B 5.3.63
TA 1771A

+U B REG NOT 8
35.12.61.2 -#3
+U B REG NOT 2
35.11.61.2 -#4

NOT 842
+A O T
BA U T
01BA 3D14
CKVU 01
3A

-T B REG 00
34.32.14.2

+U B REG NOT 4
49-56.13.11.2

+U B REG 2
35.11.61.2 -#5

2 NOT 84
+A O T
BA U T
01BA 3D15
CKVU 01
3D

+U B REG 1
34.32.16.2

+U B REG 1
35.11.21.2 -#6

21 NOT 4
+A O T
BA U T
01BA 3D15
CKVU 02
3E

-T B REG 02
34.32.14.2

-T B REG 02
34.32.15.2

+U B REG 4
35.12.21.2 -#7

4 NOT 2
+A O T
BA U T
01BA 3F12
CHWV 01
3F

-T B REG 04
34.32.14.2

-T B REG 04
34.32.15.2

+U B REG 8
35.12.61.2 -#8

42
+A O T
BA U T
01BA 3F23
CHVU 01
36

-T B REG 06
34.32.14.2

-T B REG 06
34.32.15.2

8 NOT 42
+A O T
BA U T
01BA 3D16
CKWV 02
3H

-T B REG 08
34.32.14.2

-T B REG 08
34.32.15.2

*1-01B3D036
*7-01B3D03C

*2-01B3E01C
*8-01B3D03D

*3-01B3E01B
*9-01B3C03H

*4-01B3D03F
*10-01B4A02H

*5-01B3D03B

*6-01B3D03A

COMMENTS

TAG DATE E.C.NO. TAG DATE E.C.NO. TAG DATE E.C.NO. TAG DATE E.C.NO.
A 12-18-61 113530 B 12-10-62 114178

729113

1771A

0729114

A REGISTER TRANSLATOR

1401 BA

34-32.12.2

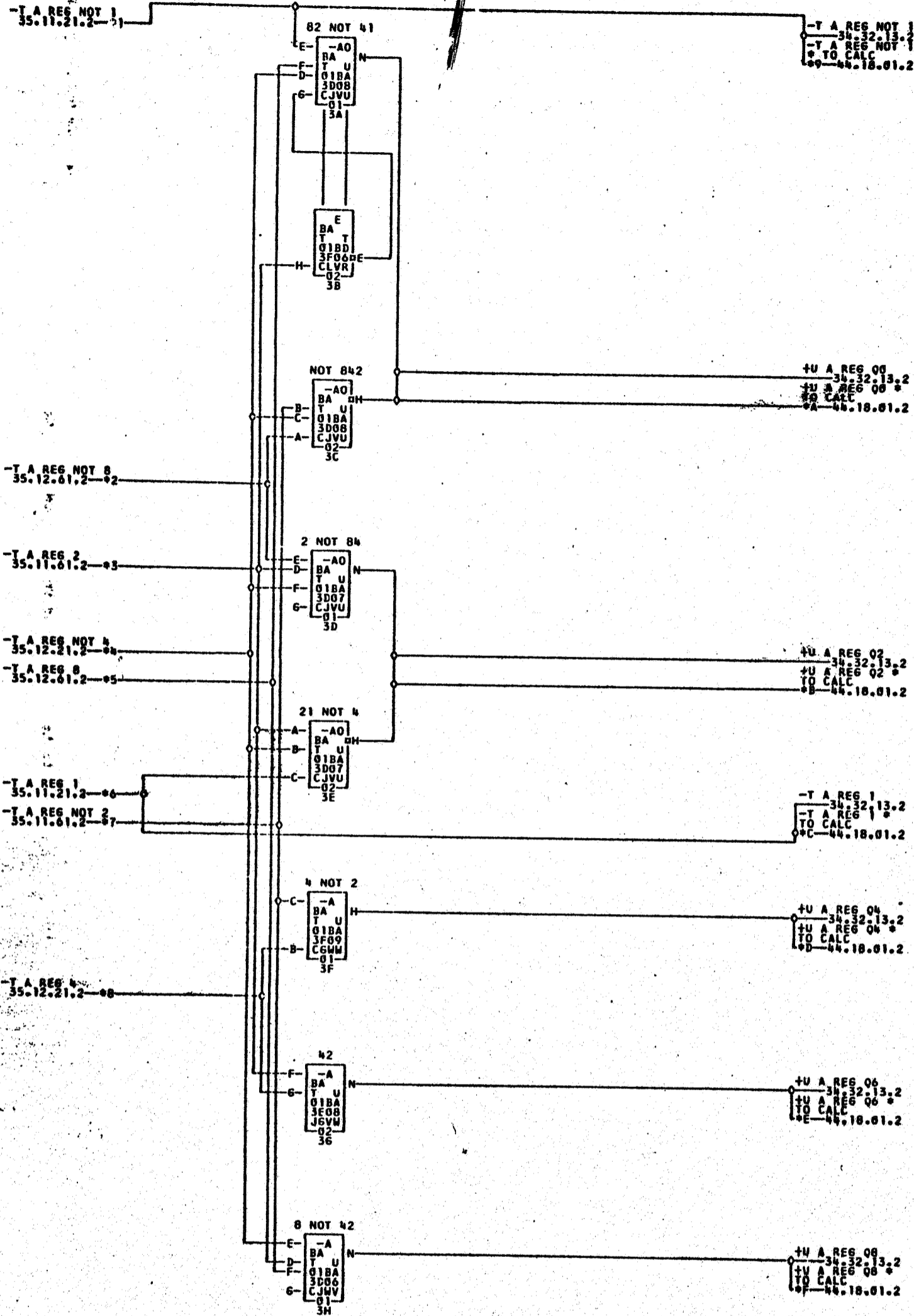
TAG DATE

-T A REG NOT 1
35.11.21.2-71

-T A REG NOT 1
34-32.13.2
-T A REG NOT 1
* TO CALC
*A-44.18.01.2

C-7.2.63
TA 1713A

D 5.3.63
TA 1771A



*1-01B3B01E
*2-01B3B01F
*3-01B3B01G
*4-01B3B01H
*5-01B3B01I
*6-01B3B01J

*7-01B3B01K
*8-01B3B01L
*9-01B3B01M
*A-01B3B01N
*B-01B3B01O
*C-01B3B01P
*D-01B3B01Q
*E-01B3B01R
*F-01B3B01S
*G-01B3B01T
*H-01B3B01U
*I-01B3B01V
*J-01B3B01W

*K-01B3B01X
*L-01B3B01Y
*M-01B3B01Z
*N-01B3B01A
*O-01B3B01B
*P-01B3B01C
*Q-01B3B01D
*R-01B3B01E
*S-01B3B01F
*T-01B3B01G
*U-01B3B01H
*V-01B3B01I
*W-01B3B01J
*X-01B3B01K
*Y-01B3B01L
*Z-01B3B01M

*AA-01B3B01N
*AB-01B3B01O
*AC-01B3B01P
*AD-01B3B01Q
*AE-01B3B01R
*AF-01B3B01S
*AG-01B3B01T
*AH-01B3B01U
*AI-01B3B01V
*AJ-01B3B01W
*AK-01B3B01X
*AL-01B3B01Y
*AM-01B3B01Z
*AN-01B3B01A
*AO-01B3B01B
*AP-01B3B01C
*AQ-01B3B01D
*AR-01B3B01E
*AS-01B3B01F
*AT-01B3B01G
*AU-01B3B01H
*AV-01B3B01I
*AW-01B3B01J
*AX-01B3B01K
*AY-01B3B01L
*AZ-01B3B01M

*BA-01B3B01N
*BB-01B3B01O
*BC-01B3B01P
*BD-01B3B01Q
*BE-01B3B01R
*BF-01B3B01S
*BG-01B3B01T
*BH-01B3B01U
*BI-01B3B01V
*BJ-01B3B01W
*BK-01B3B01X
*BL-01B3B01Y
*BM-01B3B01Z
*BN-01B3B01A
*BO-01B3B01B
*BP-01B3B01C
*BQ-01B3B01D
*BR-01B3B01E
*BS-01B3B01F
*BT-01B3B01G
*BU-01B3B01H
*BV-01B3B01I
*BW-01B3B01J
*BX-01B3B01K
*BY-01B3B01L
*BZ-01B3B01M

*CA-01B3B01N
*CB-01B3B01O
*CC-01B3B01P
*CD-01B3B01Q
*CE-01B3B01R
*CF-01B3B01S
*CG-01B3B01T
*CH-01B3B01U
*CI-01B3B01V
*CJ-01B3B01W
*CK-01B3B01X
*CL-01B3B01Y
*CM-01B3B01Z
*CN-01B3B01A
*CO-01B3B01B
*CP-01B3B01C
*CQ-01B3B01D
*CR-01B3B01E
*CS-01B3B01F
*CT-01B3B01G
*CU-01B3B01H
*CV-01B3B01I
*CW-01B3B01J
*CX-01B3B01K
*CY-01B3B01L
*CZ-01B3B01M

*DA-01B3B01N
*DB-01B3B01O
*DC-01B3B01P
*DD-01B3B01Q
*DE-01B3B01R
*DF-01B3B01S
*DG-01B3B01T
*DH-01B3B01U
*DI-01B3B01V
*DJ-01B3B01W
*DK-01B3B01X
*DL-01B3B01Y
*DM-01B3B01Z
*DN-01B3B01A
*DO-01B3B01B
*DP-01B3B01C
*DQ-01B3B01D
*DR-01B3B01E
*DS-01B3B01F
*DT-01B3B01G
*DU-01B3B01H
*DV-01B3B01I
*DW-01B3B01J
*DX-01B3B01K
*DY-01B3B01L
*DZ-01B3B01M

WHEN CALCULATE OPTION IS NOT ON MACHINE
C01A B C D E F G ARE JUMPED TO C02A B
C D E F G RESPECTIVELY THROUGH AN EDGE

TAG DATE	F.C.NO.	TAG DATE	F.C.NO.	TAG DATE	F.C.NO.	TAG DATE	F.C.NO.
A 12-18-61	113530	B 05-03-62	114141	C 10-23-62	116164	D 12-10-62	116178

1771A
729114

0729115

A REGISTER TRUE COMPLEMENT

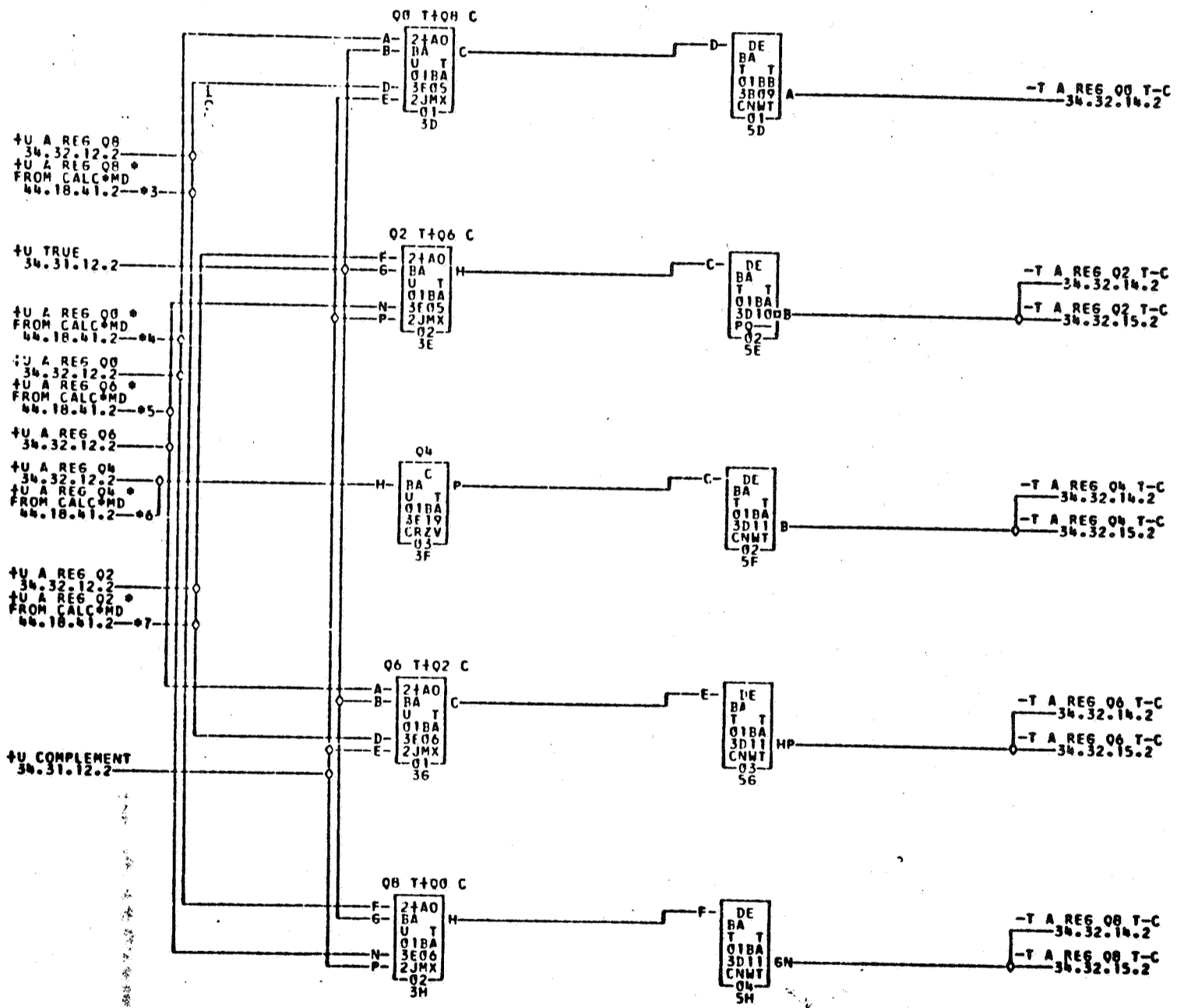
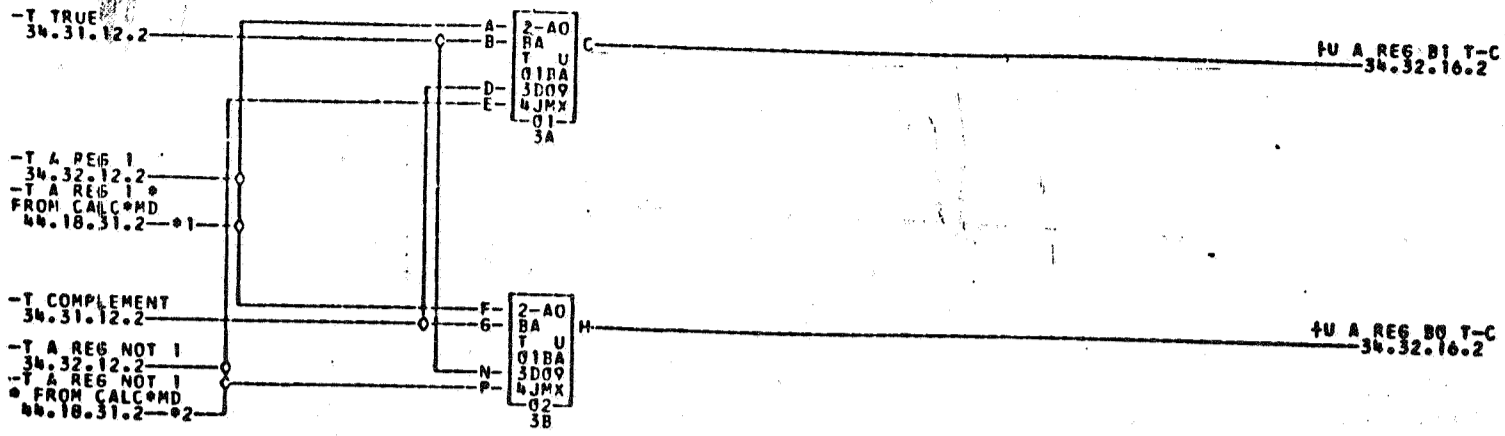
1401 BA

34.32.13.2

TAG DATE

C 7.2.63
TA 1713A

D 5.3.63
TA 1771A



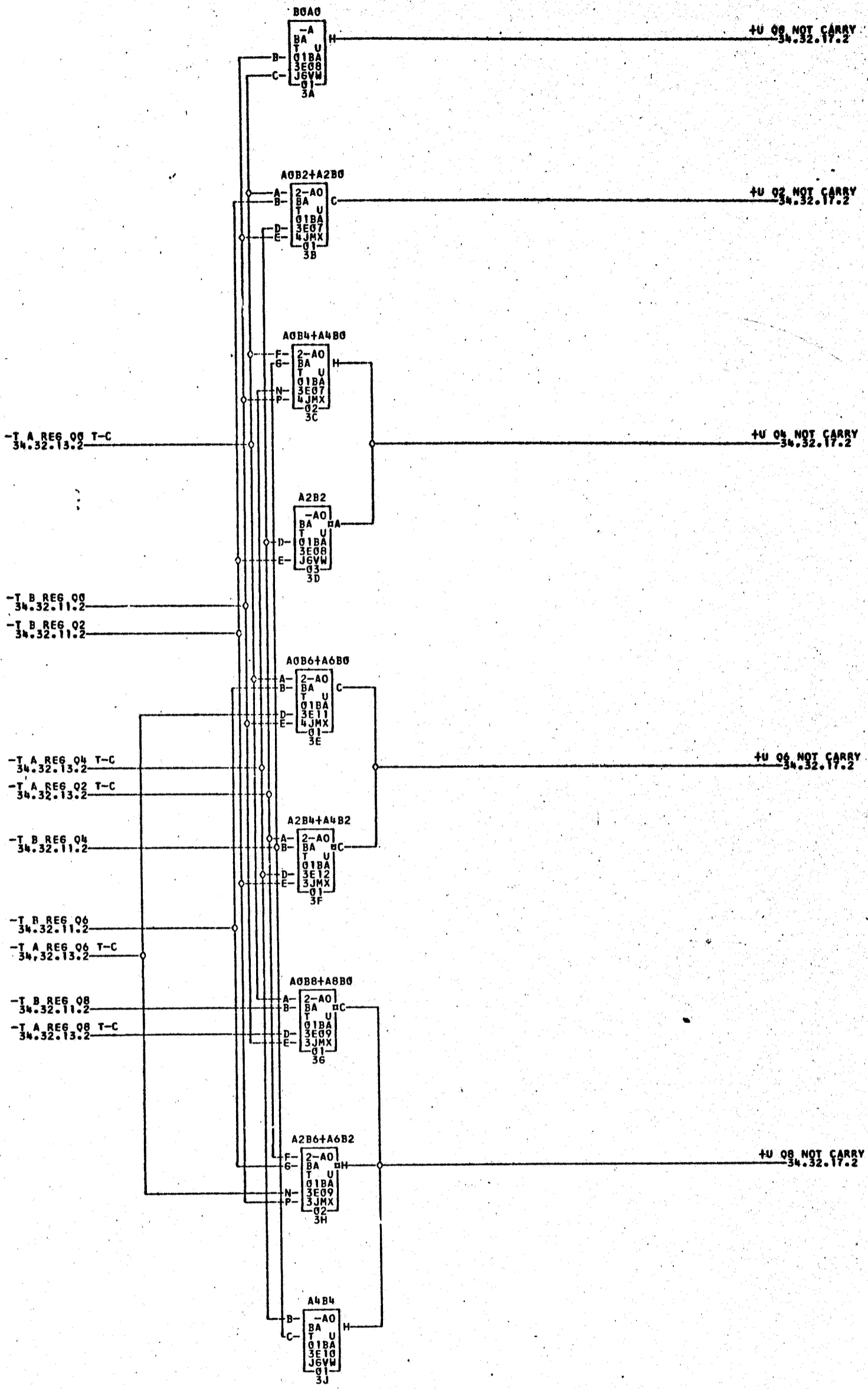
- *1-01B3C02F
- *2-01B3C026
- *3-01B3C02E
- *4-01B3C02A
- *5-01B3C02D
- *6-01B3C02C

729115

COMMENTS: WHEN CALCULATE OPTION IS NOT ON MACHINE CO2A B C D E F ARE JUMPED TO CO1A B C D E F RESPECTIVELY THROUGH AN EDGE CONNECTOR CABLE.

TAG DATE	E.C.NO.	TAG DATE	E.C.NO.	TAG DATE	E.C.NO.	TAG DATE	E.C.NO.
A 12-18-61	113530	B 04-26-62	114136	C 10-23-62	114164	D 12-10-62	114178

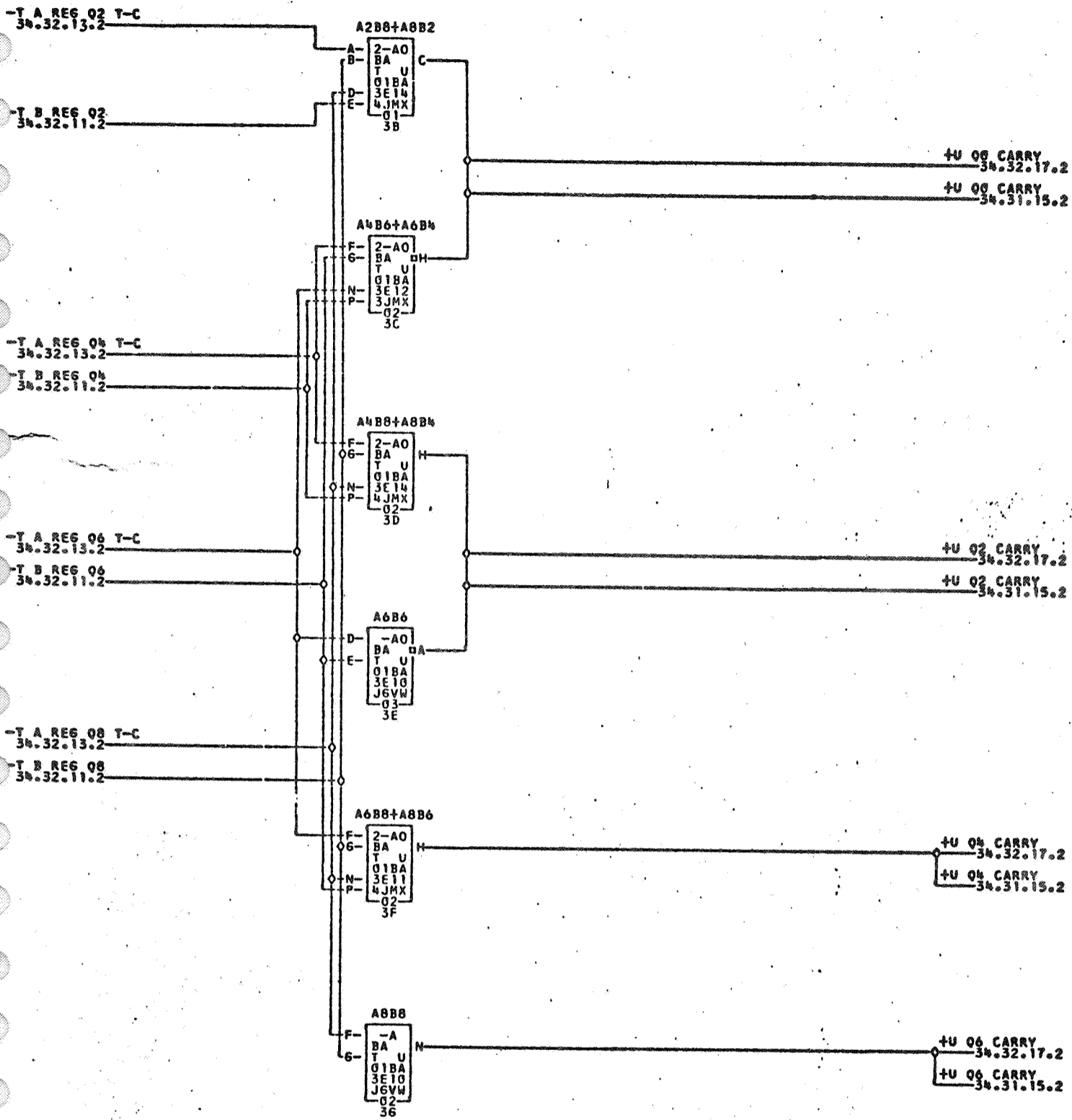
A 5.4.62
TA 1233B
B 5.3.63
TA 1771A



COMMENTS

TAG DATE	E.C.NO.	TAG DATE	E.C.NO.	TAG DATE	E.C.NO.	TAG DATE	E.C.NO.
A 12-18-61	113530	B 12-10-62	114178				

729116



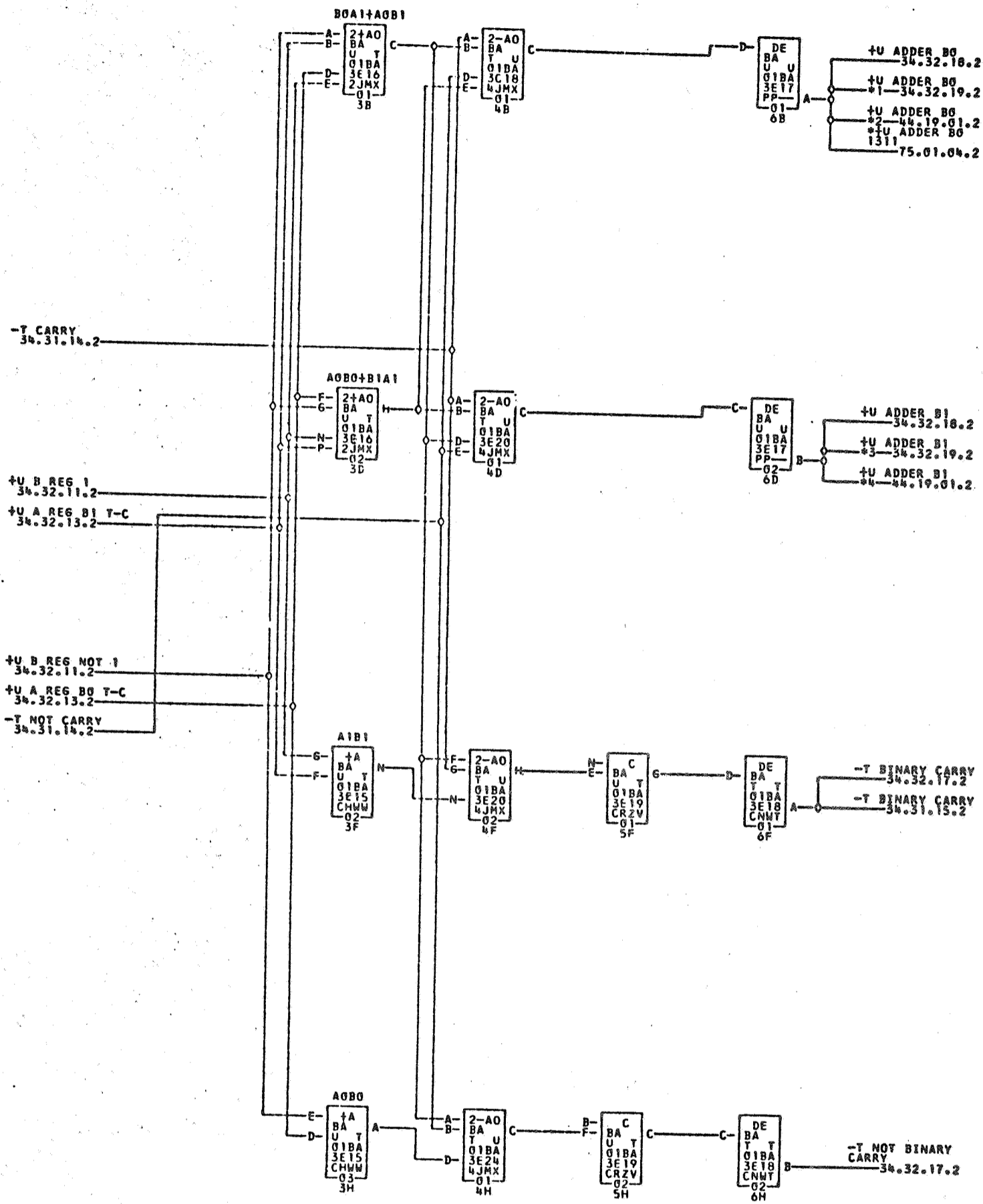
COMMENTS

TAG DATE	E.C.NO.	TAG DATE	E.C.NO.	TAG DATE	E.C.NO.	TAG DATE	E.C.NO.
A 12-18-61	113530	B 12-10-62	114178				

729117

A 5.4.62
TA 1233B

B 5.3.63
TA 1771A



- *1-01B3E04A
01B6F01B
- 01B6F01A
*4-01B3C02K
- *2-01B3C02J
02A9F076
- 02A9F056
02A7E25K
- 02A7E25J
- *3-01B3E04B

729118

COMMENTS
NOTE ASTERISK PRECEDING SIGNAL
INDICATES DIRECT CABLE EXPANSION

TAG DATE	E.C.NO.	TAG DATE	E.C.NO.	TAG DATE	E.C.NO.	TAG DATE	E.C.NO.
A 12-18-61	113530	B 12-10-62	11417C				

0729119

QUINARY ADDER OUTPUT

1401 BA 34.32.17.2

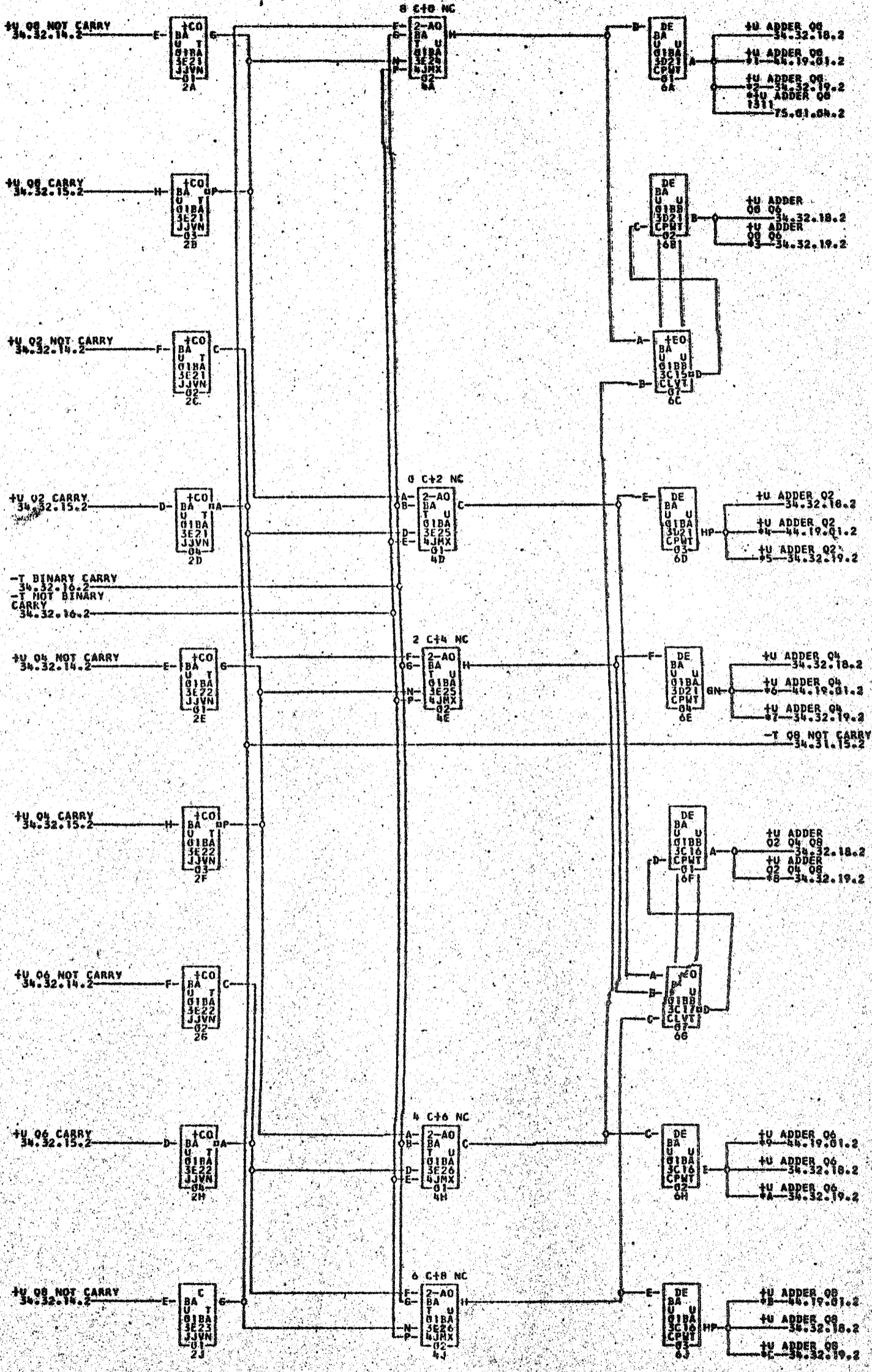
TAG DATE

A 5.4.62

TA 1233B

B 5.3.63

TA 1771A



- *1-01B3C01J
- *2-01B3E04C
- *3-01B3E04M
- *4-01B3E04N
- *5-01B3E04D
- *6-01B3E04E
- *7-01B3E04F
- *8-01B3E04G
- *9-01B3E04H
- *A-01B3E04I
- *B-01B3E04J
- *C-01B3E04K
- *D-01B3E04L
- *E-01B3E04M
- *F-01B3E04N
- *G-01B3E04O
- *H-01B3E04P
- *I-01B3E04Q
- *J-01B3E04R

NOTE ASTERISK PRECEDING SIGNAL INDICATES DIRECT CABLE EXPANSION

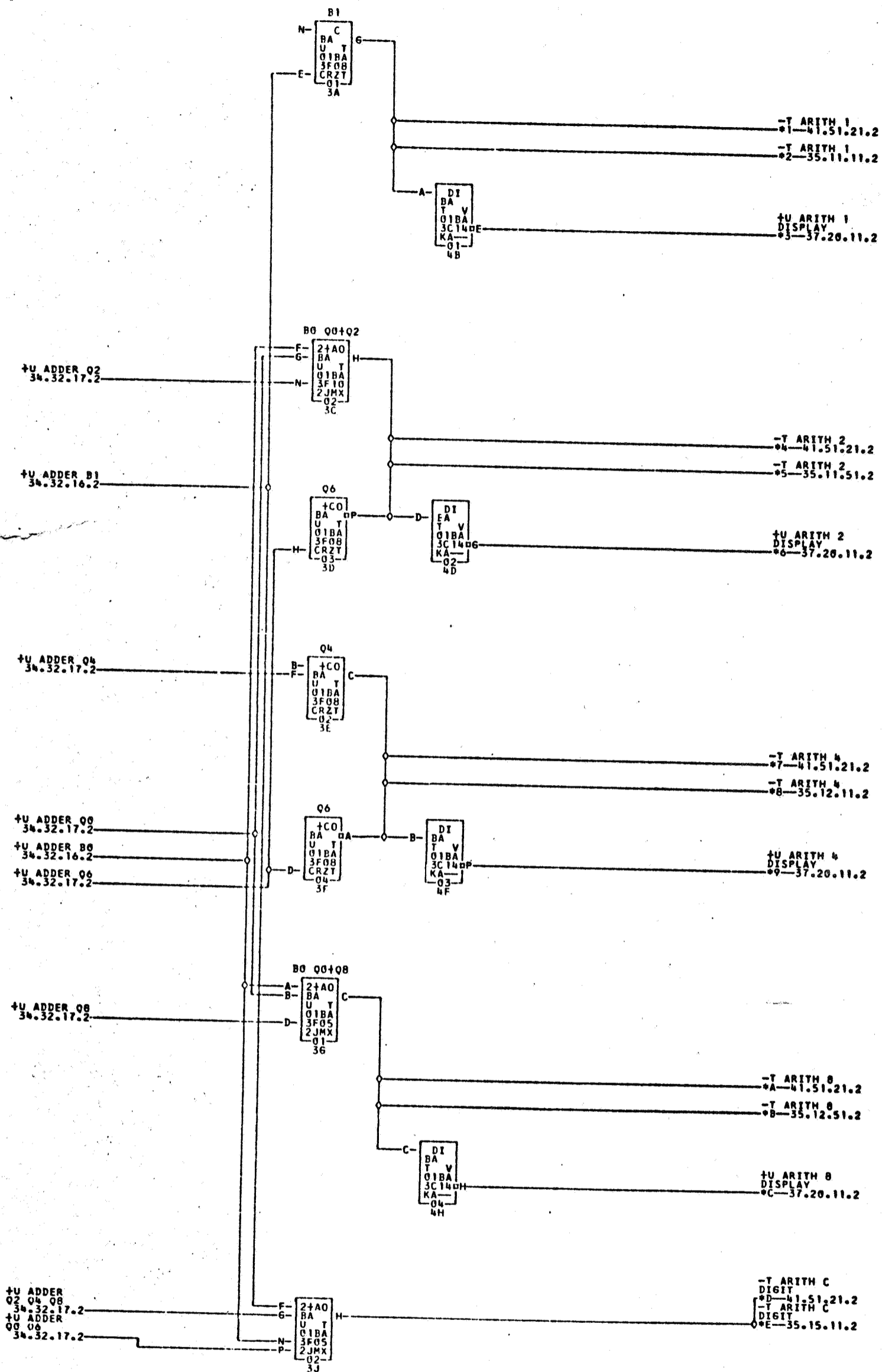
TAG DATE F.C.NO. TAG DATE F.C.NO. TAG DATE F.C.NO. TAG DATE F.C.NO.

A 12-10-61 113530 B 12-10-62 116178

729119
K-1771A

A 5.4.62
TA 1233B

B 5.3.63
TA 1771A



- *1-01B3D03A
- *2-01B3D01D
- *3-01B3F02C
- *4-01A2A16C
- *5-01A3C25D
- *6-01B3F02D
- *7-01B3D01C
- *8-01A3C25C
- *9-01A2A18D
- *A-01B3B03D
- *B-01B3D01A
- *C-01B3F02F
- *D-01B3B03E
- *E-01B3D01L
- *F-01A3C25L
- *G-01A3C25B
- *H-01A3C25A
- *I-01A3C25B
- *J-01A3C25A
- *K-01A3C25B
- *L-01A3C25A
- *M-01A3C25B
- *N-01A3C25A
- *O-01A3C25B
- *P-01A3C25A
- *Q-01A3C25B
- *R-01A3C25A
- *S-01A3C25B
- *T-01A3C25A
- *U-01A3C25B
- *V-01A3C25A
- *W-01A3C25B
- *X-01A3C25A
- *Y-01A3C25B
- *Z-01A3C25A

COMMENTS

TAG DATE	E.C.NO.	TAG DATE	E.C.NO.	TAG DATE	E.C.NO.	TAG DATE	E.C.NO.
A 12-18-61	113530	B 12-10-62	114178				

729120

0729188

QUI-BINARY VALIDITY CHECK LATCH

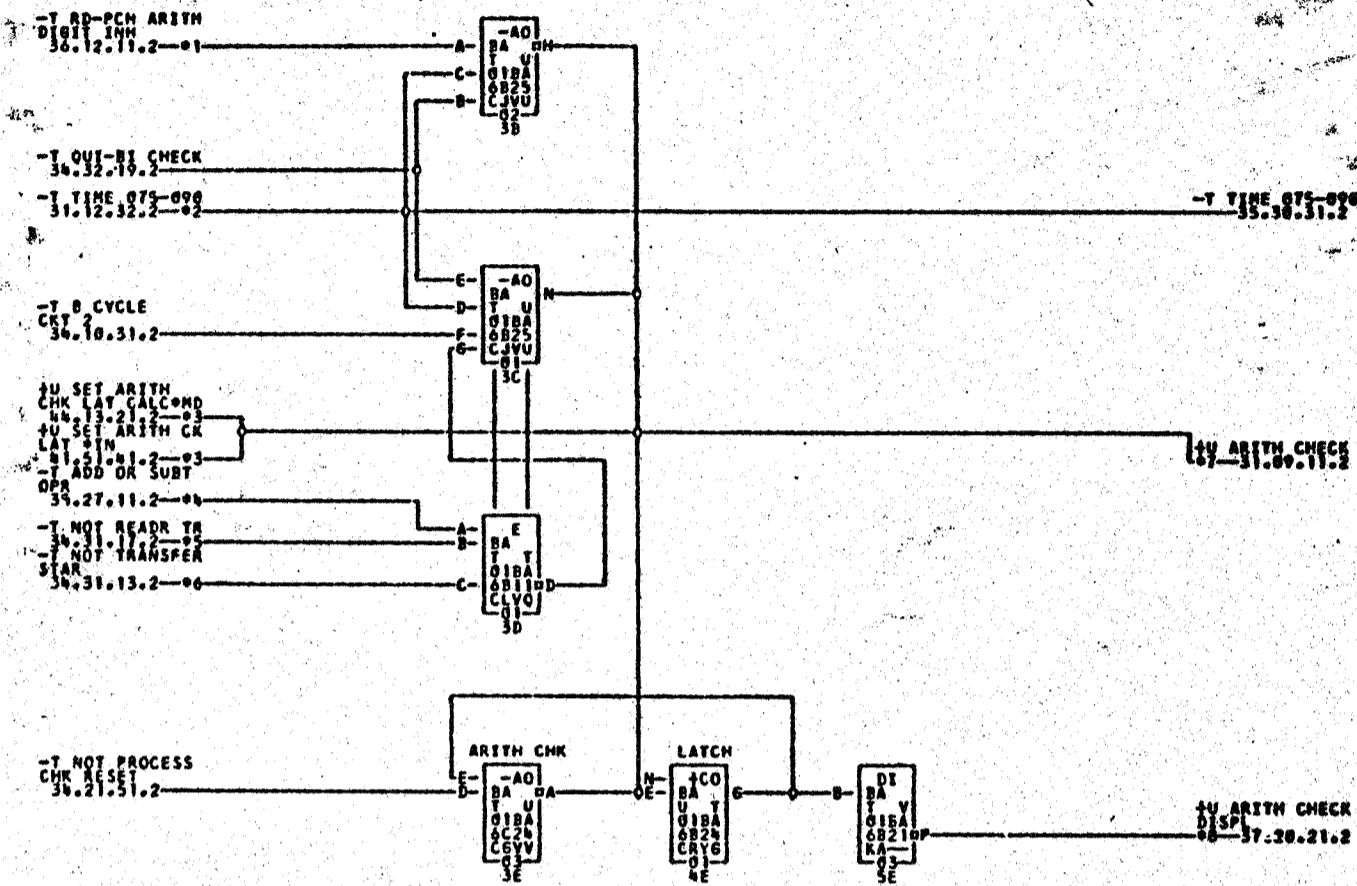
1001 BA

34.32.20.2

TAG DATE

A 5.4.62
TA 12338

B 5.3.63
TA 1771A



01-01B6A03J

02-01B6A03K

03-01B6F03L

04-01B6F01L

05-01B6F01M

06-01B6F01K

COMMENTS

TAG DATE 12-16-61 113538

TAG DATE 12-11-62 114178

TAG DATE

E.C.NO. TAG DATE E.C.NO.

729188

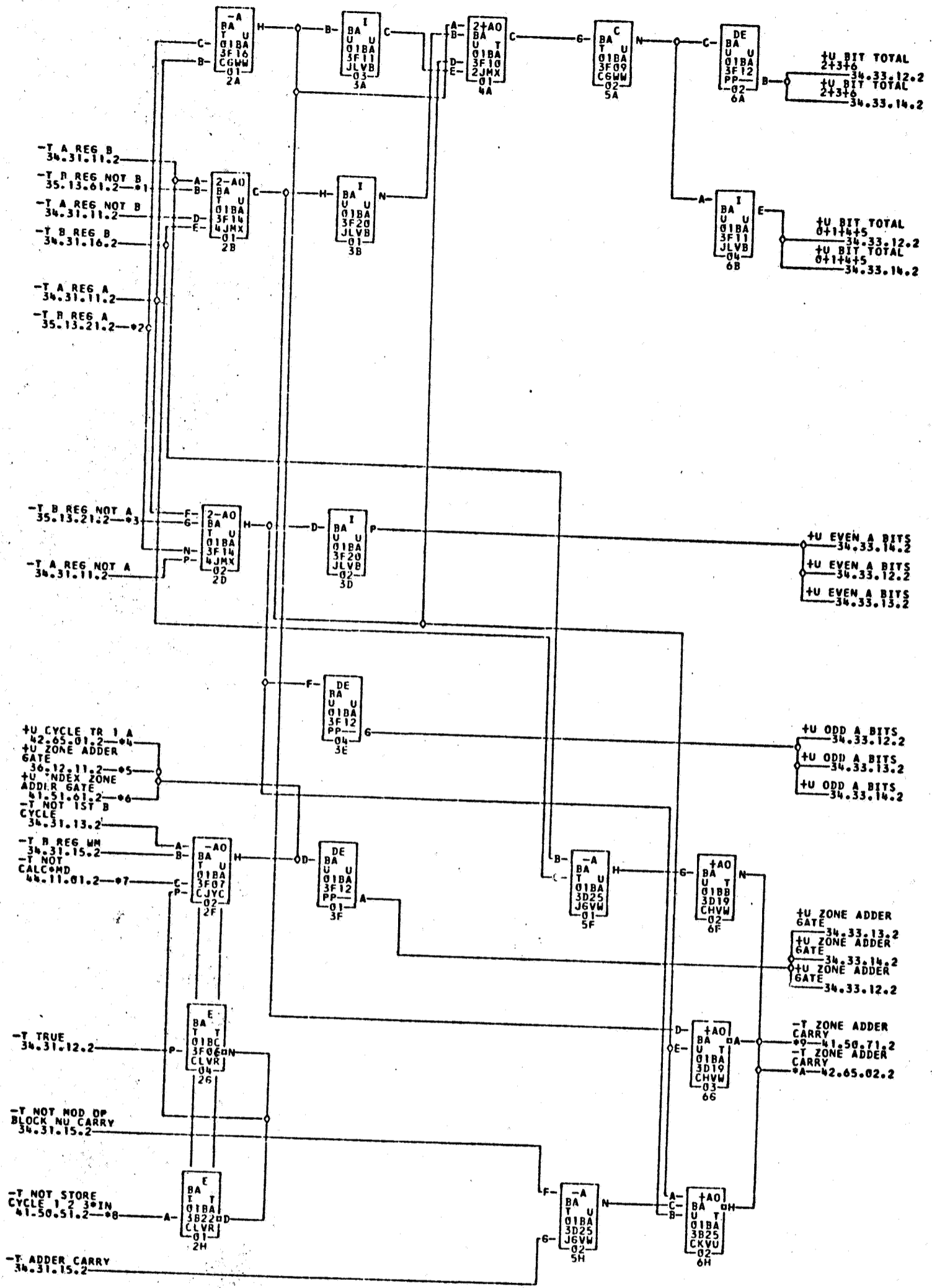
ZONE BIT GENERATOR

1401 BA 34.33.11.2

TAG DAT

B 30.8.62
TA 1441

C 5.3.63
TA 1771A



- *1-01B3D03M *2-01B3D03J *3-01B3D03L *4-01B3A01M 06B7A16M *5-01B3C03M
- *6-01B3B03L *7-01B3B04B *8-01B3B03J *9-01B3B03R 02A0F19C 02B6C02R
- *A-01B3F03H 06B7A13H

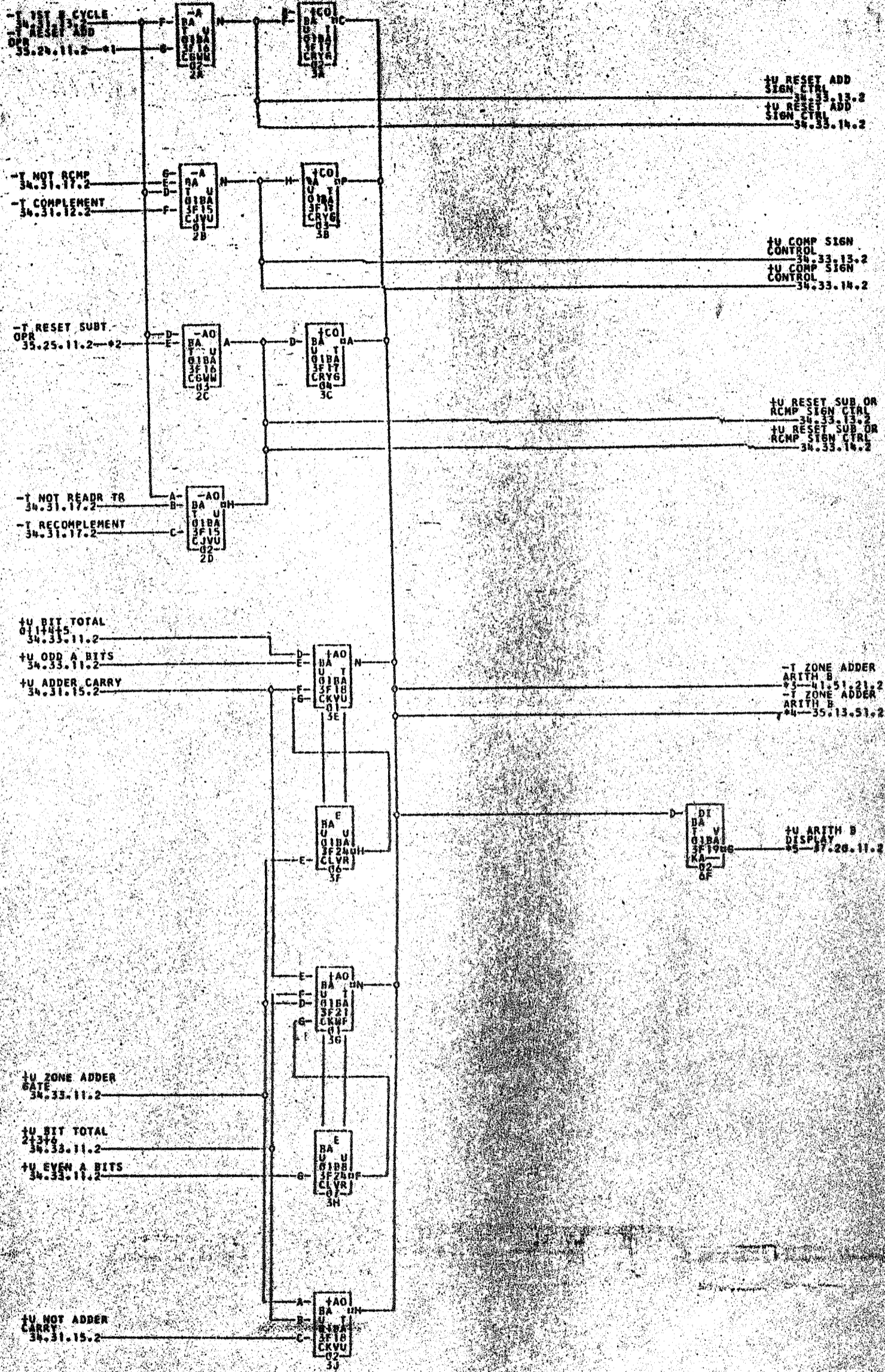
COMMENTS

TAG	DATE	E.C.NO.	TAG	DATE	E.C.NO.	TAG	DATE	E.C.NO.	TAG	DATE	E.C.NO.
A	12-18-61	113530	B	06-14-62	114148	C	12-10-62	114178			

729121

A 5.4.62
TA 1233B

B 5.3.63
TA 1771A



*1-01B3092C
01A3C25F

*2-01B3092D
01B3F02B

*3-01B3093E
01A2A186

02A0F01C

02B6C02B

*4-01B3D01F

COMMENTS

TAG DATE A 12-10-61 E.C.NO. 113530

TAG DATE B 12-10-62 E.C.NO. 114179

TAG DATE E.C.NO.

TAG DATE E.C.NO.

77167L

0729123

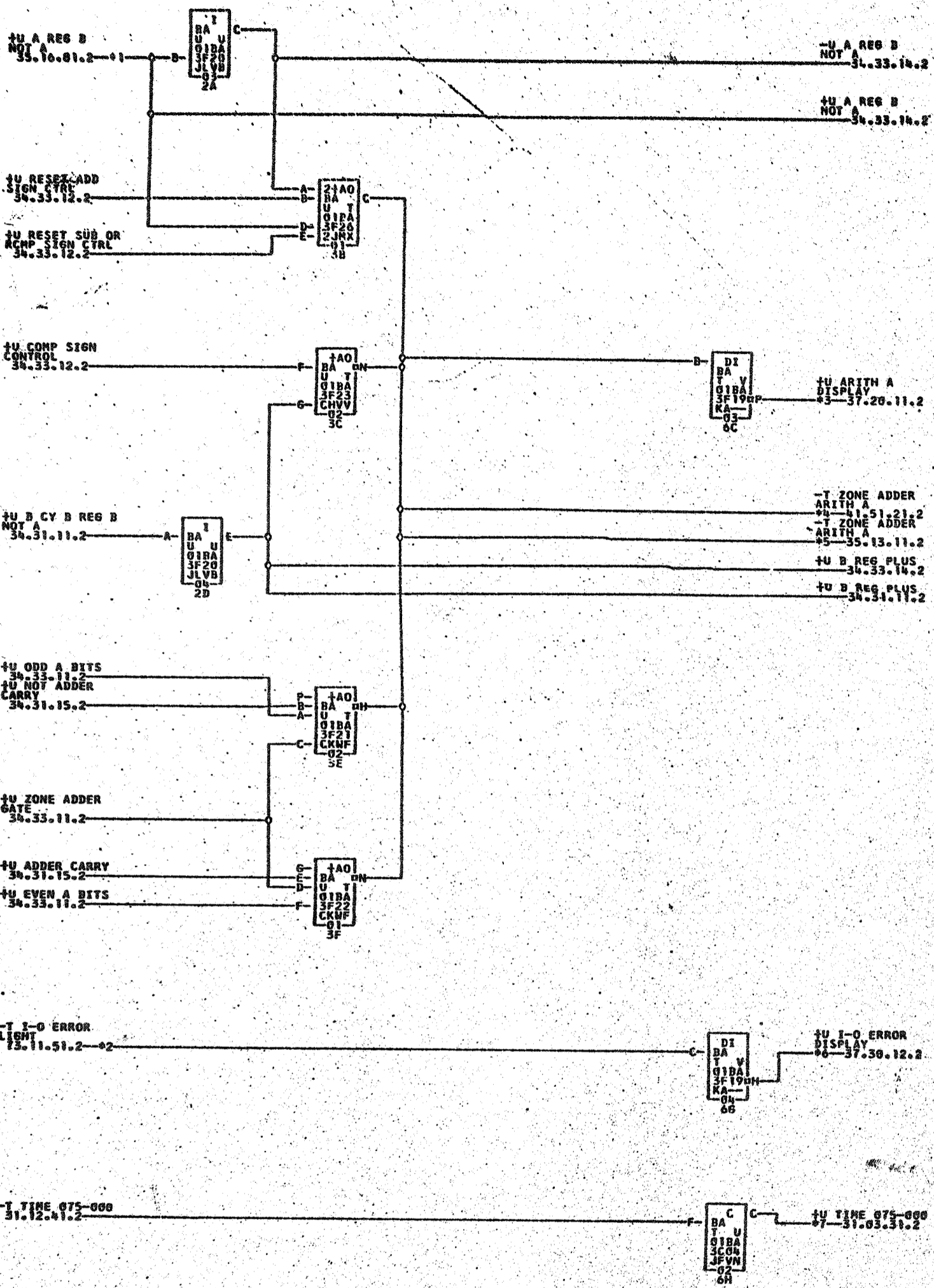
A BIT ZONE ADDER

1401 BA

34.33.13.2

A 5.4.62
TA 1233B

B 5.3.62
TA 1237A



- *1-01B3B01N
02B9C92F
01A3C26R
- *2-01B3D02E
01B3D01E
01A3D25R
- *3-01B3F02H
01A3C25E
01B2D00R
- *4-01A2A18H
01B3F02N
- *5-01B3B03F
01A2A18N
- *7-02AGE19C
01B3E01N

COMMENTS

TAG	DATE	E.C.NO.	TAG	DATE	E.C.NO.	TAG	DATE	E.C.NO.	TAG	DATE	E.C.NO.
A	12-18-61	113538	B	12-10-62	114178						

420123
70A

072V124

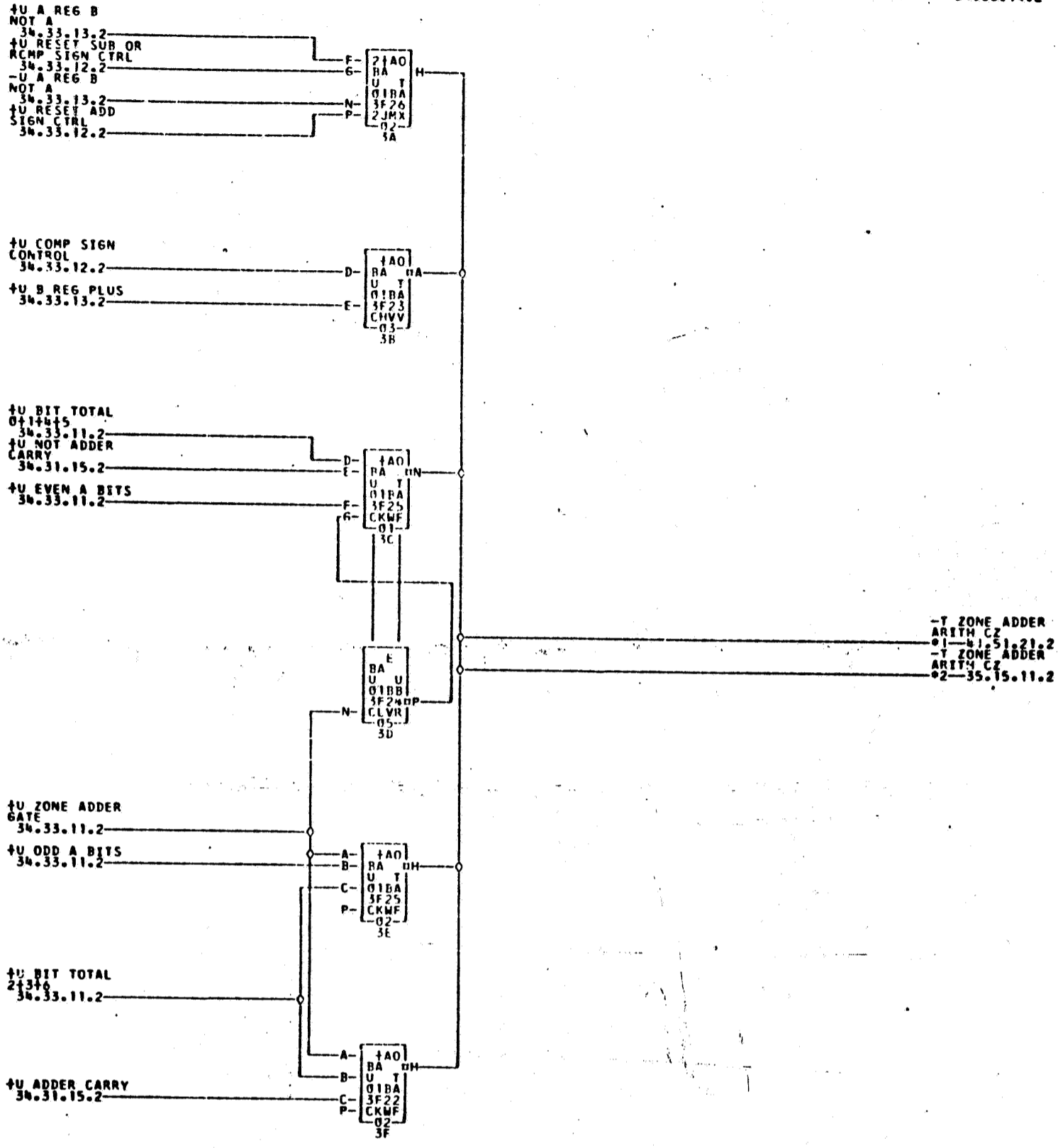
C BIT ZONE ADDER

1N01 BA 34.33.14.2

TAG DATE

A 5.4.62
TA 1233B

B 5.3.63
TA 1771A



*1-01B3B03H 02A0F03C 02B6C02H *2--01B5D016 01A3C256

COMMENTS

TAG DATE E.C.NO. TAG DATE E.C.NO. TAG DATE E.C.NO. TAG DATE E.C.NO.
A 12-18-61 113530 B 12-10-62 114178

72912

0729125

FEED THROUGH SHEET

1401 BA

34.34.11.2

TAG DATE

-T CLEAR B
FIELD CALC
44.11.41.2 -#1

-T CLEAR B
FIELD CALC
47-55.30.31.2

A 5.4.62
TA 1233B

B 5.3.63
TA 1771A

+U NOT RUN
37.30.11.2 -#2

+U NOT RUN
#8-70.11.41.1

-T ADDRESS MOD
OPR
44.62.02.2 -#3

-T ADDRESS MOD
OPR
#9-42.65.01.1

+U INHIBIT CHK
DISPLAY
35.17.71.2 -#4

+U INHIBIT CHK
DISPLAY
#A-37.20.21.2

+U MULTIPLY OPR
44.10.91.2 -#5

+U MULTIPLY OPR
#B-44.10.11.2

+U DIVIDE OPR
44.10.91.2 -#6

+U DIVIDE OPR
#C-44.10.11.2

*1-01B3B04F
*7-01B3E040
*C-01B3B04J

*2-01B3F02K
*A-01B6F010
*A-01B3F02B
*2A9F05E

*3-01B3D02R
*8-01B3A03J
*1A2A18B
*2B7B02J

*4-01B3E01P
*2A0C09E
*B-01B3B04H

*5-01B3D02H
*2A2B24K
*2A9F03E

*6-01B3D02J
*9-01B3F03N
*2B7B02H

COMMENTS

TAG DATE E.C.NO.
A 12-18-61 113530

TAG DATE E.C.NO.
B 12-18-62 116170

TAG DATE E.C.NO.

TAG DATE E.C.NO.

729125
1771A

0720721

DISTRIBUTION SECTION 1

1401 BA 35.10.11.2

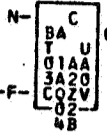
TAG DATE

-T MANUAL ENTRY
31.03.11.2-01

- T MANUAL ENTRY 35.11.11.2
- T MANUAL ENTRY 35.11.51.2
- T MANUAL ENTRY 35.12.11.2
- T MANUAL ENTRY 35.12.51.2
- T MANUAL ENTRY 35.13.11.2
- T MANUAL ENTRY 35.13.51.2
- T MANUAL ENTRY 35.14.11.2
- T MANUAL ENTRY 35.14.51.2
- T MANUAL ENTRY 35.17.11.2

D 10.5.62
TA 1233G

E 5.3.63
TA 1771A



+U MANUAL ENTRY
35.17.11.2

+U NOT BLOCK
OPR AND B CYCLE
31.03.21.2-02

- +U NOT BLOCK OPR AND B CYCLE 35.18.11.2
- +U NOT BLOCK OPR AND B CYCLE 35.18.51.2
- +U NOT BLOCK OPR AND B CYCLE 35.15.11.2
- +U NOT BLOCK OPR AND B CYCLE 35.18.31.2
- +U NOT BLOCK OPR AND B CYCLE 35.18.31.2

+U PROCESS
CHECK
31.09.11.2-03

+U PROCESS
CHECK
*F-37.31.21.2

-T NOT RCMP
34.31.17.2-04

- T NOT RCMP 35.18.51.2
- T NOT RCMP 35.18.51.2
- T NOT RCMP 35.18.61.2

-T B CYCLE
CKT 3
31.26.11.2-05

- T B CYCLE 35.18.51.2
- T B CYCLE 35.15.11.2
- T B CYCLE 35.18.61.2
- T B CYCLE 35.18.31.2

-T BLOCK STROBE
A
74.11.01.2-06

-T BLOCK STROBE
*G-31.12.93.2

-T BLOCK STROBE
B
74.11.01.2-07

-T BLOCK STROBE
*H-42.67.01.2

+U START RESET
37.30.31.2-08

+U START RESET
*J-31.10.11.2

+T POWER ON
RESET
37.30.41.2-09

+T POWER ON
RESET
*K-74.11.01.2

-U ACTIVATE
STORAGE
31.02.41.2-0A

-U ACTIVATE
STORAGE
*L-42.57.11.2

-T ALLOW B REG
CHECK
35.30.21.2-0B

-T ALLOW B REG
CHECK
*M-77.40.31.2

-T NOT INQ A
INDEX BLOCK
77.30.21.2-0C

-T NOT INQ A
INDEX BLOCK
*N-36.49.21.2

+U CF + STL
BLOCK START LAT
46.51.41.2-0D

+U CF + STL
BLOCK START LAT
*P-31.01.11.2

+U T+I-O OVLP
MODE DISPL
74.21.01.2-0E

+U T+I-O OVLP
MODE DISPL
*Q-37.38.12.2

- *1-01A3D25C
- *7-01A3A220
- *J-01A3C22N
- *K-01A3C26E
- *L-01B1B02R
- *Q-01A3E26R

- *2-01A3D25B
- *8-01A3D24M
- *D-01A3E24M
- *R-01A3A22H
- *G-01B1A63N

- *3-01A3D24B
- *9-01A3E26J
- *E-01A3F23N
- *L-01A3A25K
- *O-02A0F13A

- *4-01A3C250
- *A-01A3D25L
- *F-01A3E260
- *I-01A1F01K
- *O-02B6C03N

- *5-01A3D24P
- *B-01A3A25L
- *G-01A3C26D
- *M-01A3C22P
- *P-01A3D250

- *6-01A3A22P
- *C-01B8A0CF
- *H-01A3C260
- *N-01A3B24R
- *O-01B2D040

COMMENTS

TAG DATE	E.C.NO.	TAG DATE	E.C.NO.	TAG DATE	E.C.NO.	TAG DATE	E.C.NO.
A 12-15-61	113530	B 01-29-62	113830	C 02-12-62	114242	D 03-23-62	114136
E 12-10-62	114177						

728721

0728722

EDIT CONT

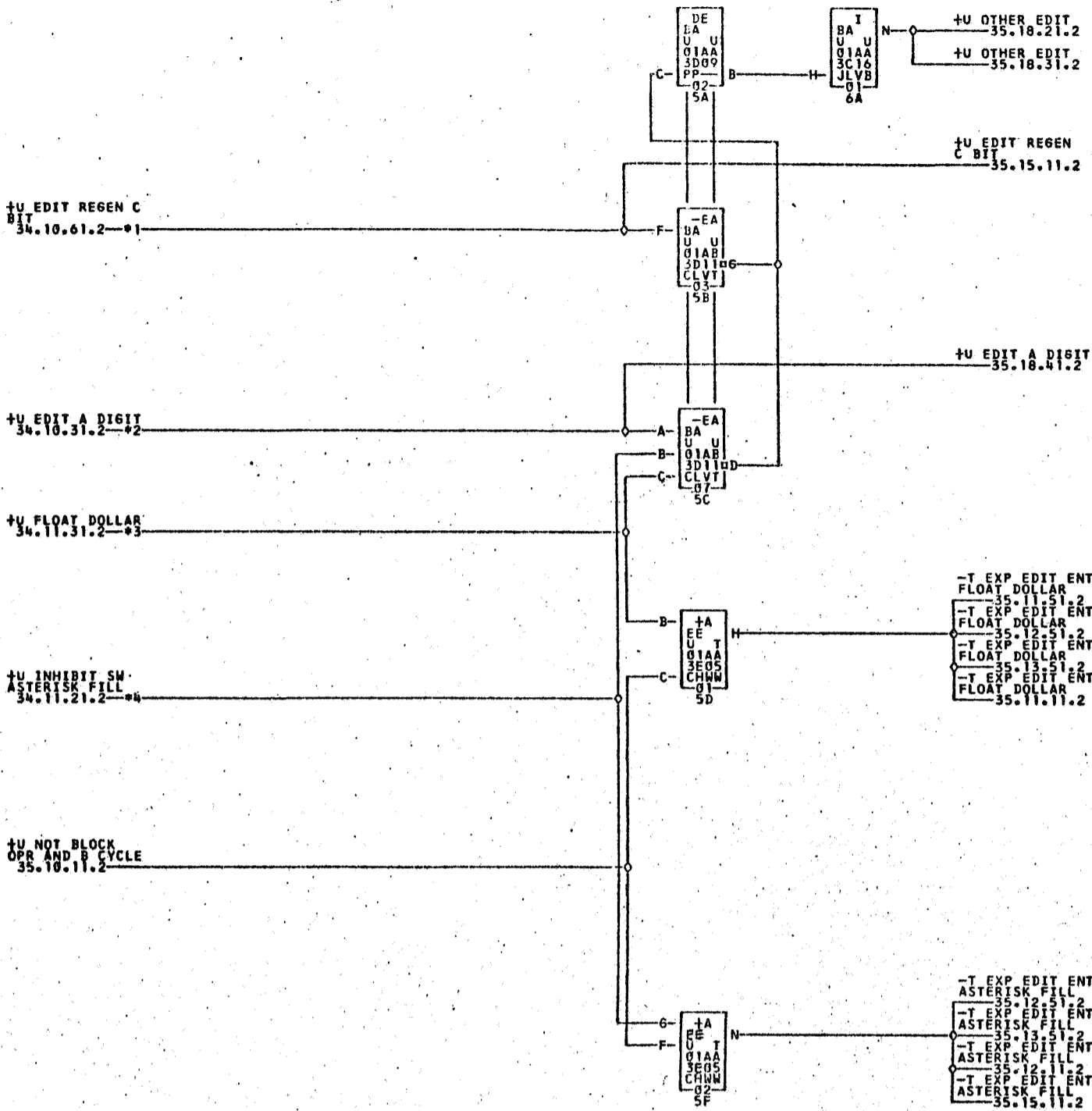
1401 BA

35.10.31.2

TAG DATE

A 5.4.62
TA 1233B

B 5.3.63
TA 1771A



RPO
* 01AA
3A21
- 01
3J

RPO
* 01AA
3B21
- 01
4J

RPO
* 01AA
3C21
- 01
5J

*1-01A3B26E

*2-01A3B260

*3-01A3B266

*4-01A3B26H

1771
728722

COMMENTS

TAG DATE	E.C.NO.	TAG DATE	E.C.NO.	TAG DATE	E.C.NO.	TAG DATE	E.C.NO.
A 12-15-61	113530	B 12-10-62	114177				

0728723

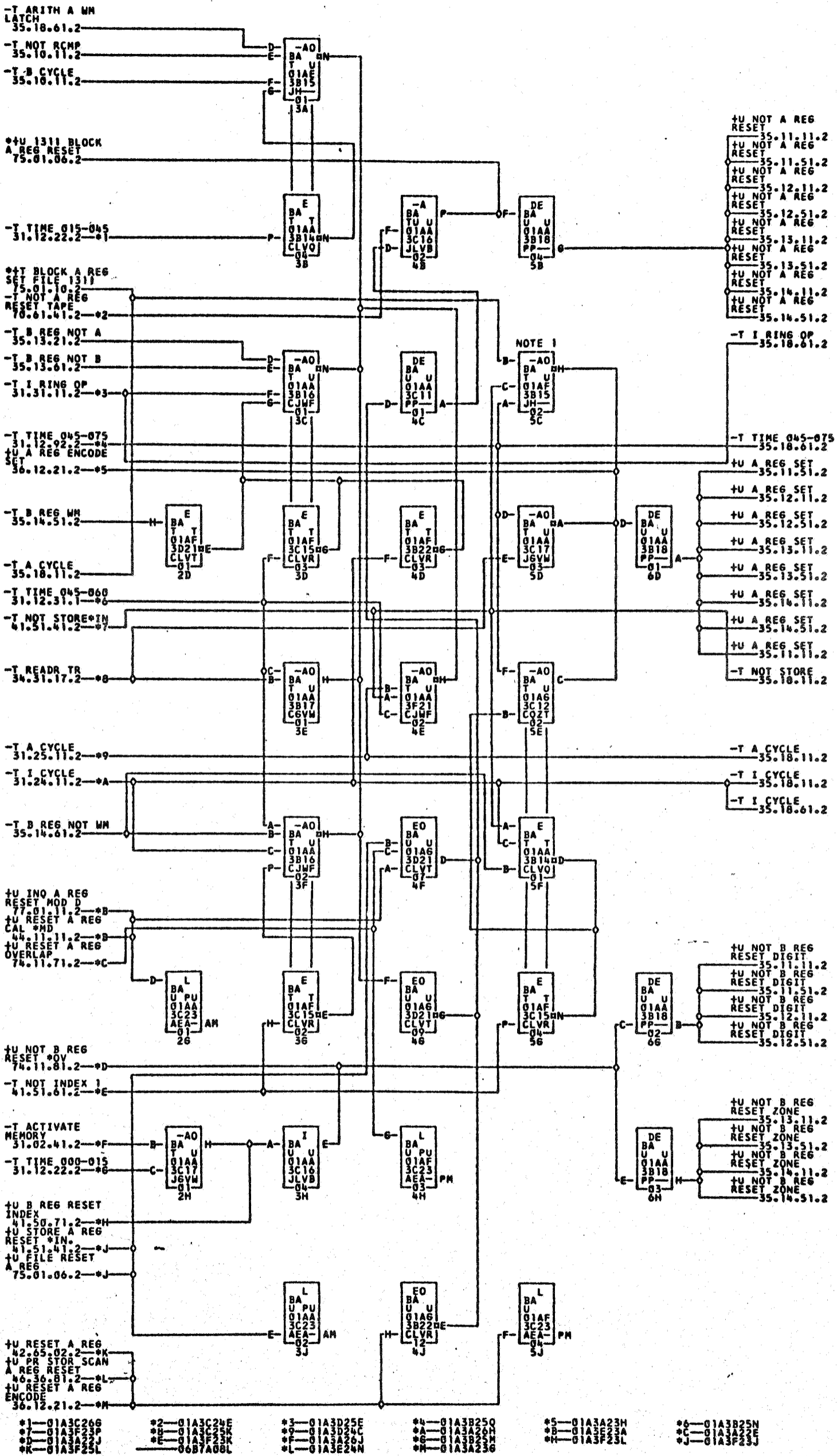
A+B REG SET AND RESET

1401 BA 35.10.51.2

TAG DATE

F 5.3.63
TA 1771A

G 28.8.63
TA 1917A



NOTE 1 A CYCLE SIGNAL IS REMOVED WITH 1311 FEATURE ATTACHED
 NOTE ASTERISK PRECEDING SIGNAL INDICATES DIRECT CABLE EXPANSION

TAG DATE	F.C.NO.	TAG DATE	F.C.NO.	TAG DATE	F.C.NO.	TAG DATE	F.C.NO.
A 12-15-61	113530	F 02-12-62	114242	C 04-04-62	114133	D 05-10-62	114144
E 07-17-62	114156	F 12-10-62	114177	G 06-04-63	114194		

728723

0728724

INHIBIT 1

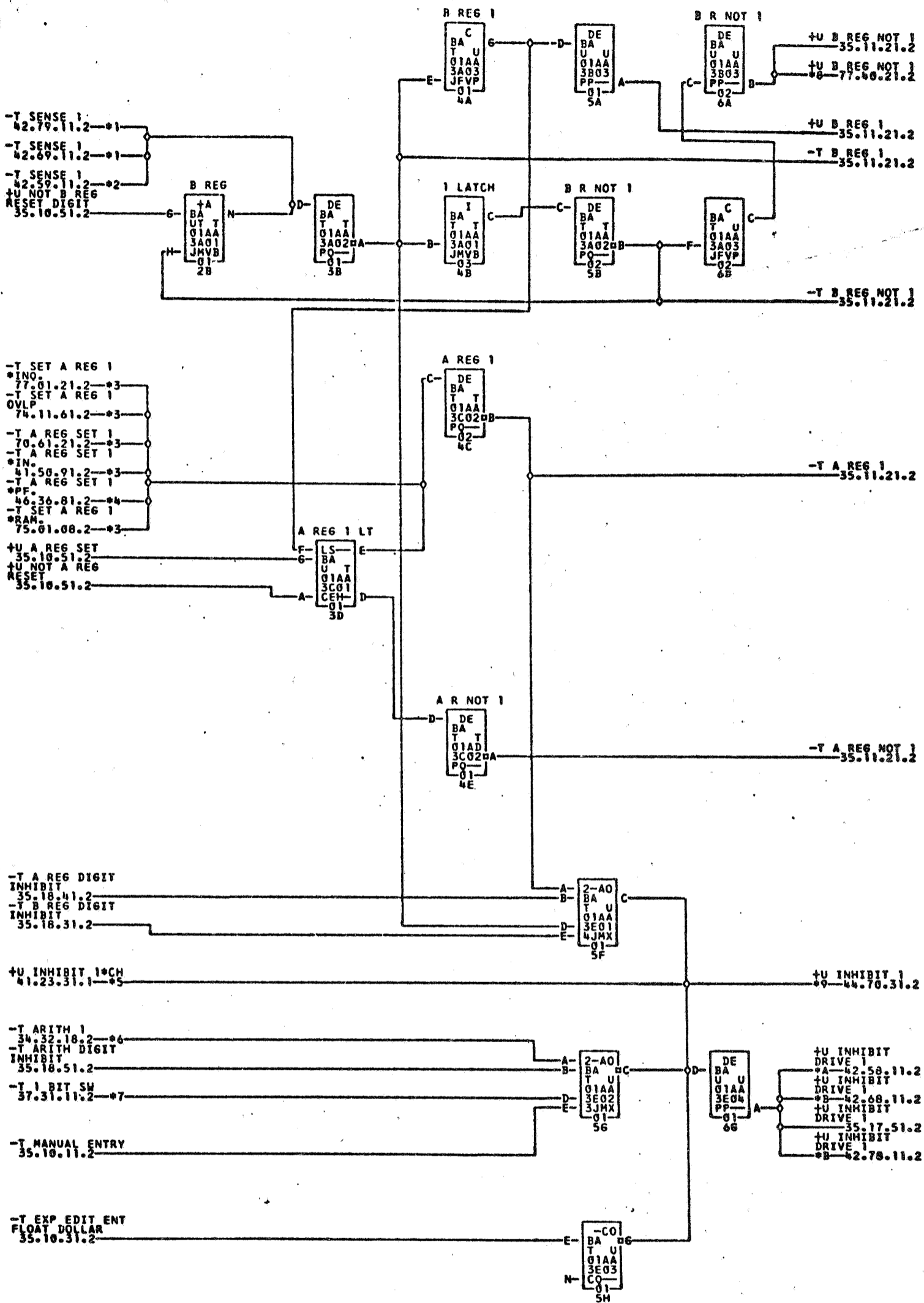
1401 BA

35.11.11.2

TAG DATE

C 7.2.63
TA 1713A

D 5.3.63
TA 1771A



FILT
BA
01AC
3F22
6J
01
2J

- *1-01A3F26D
- *2-01A3A24D
- *3-01A3F23A
- *4-01A3E24A
- *5-01A3D23F
- *6-01A3C25D
- *7-01A3E26A
- *8-01A3C22A
- *9-01A3D23F
- *A-01A3A25H
- *B-01A3F25H
- *C-06B7A08H
- *D-02A0D05B

* 01A3 F22 J - - - - 01A3 F26 J

COMMENTS

TAG DATE E.C.NO. TAG DATE E.C.NO. TAG DATE E.C.NO. TAG DATE E.C.NO.
 | A 12-15-61 113530 | B 02-12-62 114242 | C 11-14-62 114171 | D 12-10-62 114177

728724

0720025

B REG AND A REG 1 BIT

1401 BA

35.11.21.2

TAG DATE

+U B REG 1
35.11.11.2

+U B REG 1
*1-34.32.11.2

+U B REG 1 NPF
36.31.91.2

+U B REG 1
*1-36.13.31.2

+U B REG 1
MOD D
*1-77.40.51.2

+U B REG 1
*1-75.01.01.2

+U B REG 1
MOD D
*2-77.40.51.2

+U B REG 1
*1-36.37.31.2

+U B REG NOT 1
35.16.31.2

+U B REG NOT 1
*3-34.32.11.2

A 5.4.62
TA 1238B

B 5.3.63
TA 1771A

+U B REG NOT 1
35.11.11.2

-T B REG 1
35.11.11.2

-T B REG 1
*4-41.23.21.2

-T B REG 1
35.16.11.2

-T B REG 1
*5-70.51.21.2

-T B REG 1
*5-35.30.41.2

-T B REG 1
*5-32.43.11.2

-T B REG 1
*5-46.10.21.2

-T B REG 1
*5-35.21.11.2

-T B REG 1
*5-44.33.31.2

-T B REG NOT 1
35.11.11.2

-T B REG NOT 1
35.16.11.2

-T B REG NOT 1
*6-34.21.11.2

-T B REG NOT 1
*6-44.33.21.2

-T A REG 1
35.11.11.2

-T A REG 1
35.16.51.2

-T A REG 1
35.16.61.2

-T A REG 1
*7-44.33.11.2

-T A REG 1
*7-34.32.12.2

-T A REG 1
*7-36.44.11.2

-T A REG 1
*7-34.21.11.2

-T A REG 1
*7-36.12.11.2

-T A REG NOT 1
35.11.11.2

-T A REG NOT 1
35.16.51.2

-T A REG NOT 1
35.16.61.2

-T A REG NOT 1
*8-34.32.12.2

-T A REG NOT 1
*8-34.21.11.2

-T A REG NOT 1
*8-44.33.11.2

*1-01A3F24A
02A8E23A
01B7D026
01A8F24A
02A8A26R
02A0C11B
02A8B26D
01B6A016
02A0B13C

01A6B26A
02A8C256
01B8A0AC
01B1B01A
*5-01A3C24F
02A2C24N
*7-01A3D26F
02A0B05C
02A8B266

01A6F26J
01B3A0AC
*3-01A3C26C
01B6A01R
01A4E26B
02A8A26R
01B1B01M
02A8B26C

01B3D03A
*2-01A3F24A
01B3E01C
02A0C11B
01A8F24A
*6-01A3C24N
01B3B01A
*8-01A3D26P

01B4A01J
02A0B01F
*4-01A3C24F
02B8E02K
01B1B01A
01B6E02N
01B6E03A
01B3B01E

02A0B01F
01B7F03A
01A4E26B
02A2C24N
01B6A01R
02A0B07C
01B4E03A
01B6E02F

COMMENTS

TAG DATE E.C.NO. TAG DATE E.C.NO. TAG DATE E.C.NO. TAG DATE E.C.NO.

A 12-15-61 113530 B 12-10-62 114177

728725

0728726

INHIBIT 2

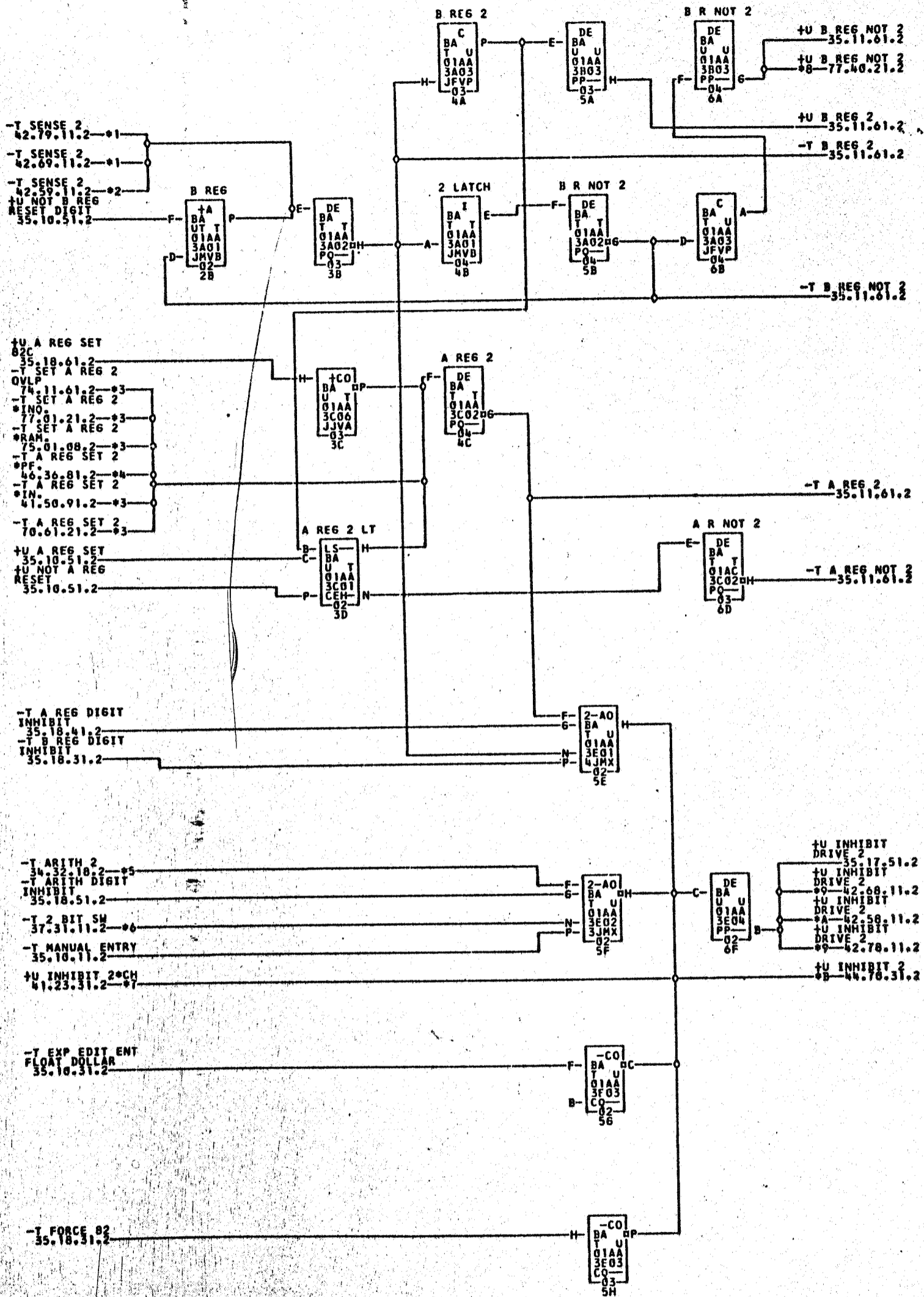
1401 BA

35.11.51.2

TAG DATE

B 10.5.62
TA 1233G

C 5.3.63
TA 1771A



- *1-01A3F20C
- *2-01A3A24C
- *3-01A3E23B
- *4-01A3E24B
- *5-01A3C25C
- *6-01A3E20B
- *7-06B7A10C
- *8-01A3C22B
- *9-01B8A01P
- *0-02A0D03B
- *1-01A3D23E
- *2-02B6F02E
- *3-01A3A256
- *4-01A3D23E
- *5-06B7A086

COMMENTS

TAG DATE 12-15-61 FIC NO. 515530 TAG DATE 02-12-62 FIC NO. 516242 TAG DATE 12-10-62 FIC NO. 514177 TAG DATE E.C. NO.

728726

0728727

B REG AND A REG 2 BIT

1401 BA

35.11.61.2

TAG DATE

+U B REG 2
35.11.51.2

+U B REG 2
*1-36.13.31.2
+U B REG 2
*1-34.32.11.2
+U B REG 2
*1-75.01.01.2
+U B REG 2
*2-77.40.51.2
+U B REG 2
MOD D
*3-77.01.31.2
+U B REG 2 NPF
*1-36.31.91.2
+U B REG NOT 2
*1-35.16.31.2
+U B REG NOT 2
*4-34.32.11.2
+U B REG NOT 2
*4-44.10.21.2

A5.4.62

TA 1233B

B 5.3.63

TA 1771A

+U B REG NOT 2
35.11.51.2

-T B REG 2
35.11.51.2

-T B REG 2
*5-35.21.11.2
-T B REG 2
*5-41.23.21.2
-T B REG 2
*5-35.16.11.2
-T B REG 2
*6-35.30.41.2
-T B REG 2
*6-32.43.21.2
-T B REG 2
*6-44.33.21.2
-T B REG 2
*6-70.51.21.2
-T B REG 2
*6-46.10.21.2
-T B REG NOT 2
*7-34.10.21.2
-T B REG NOT 2
*7-44.33.31.2

-T B REG NOT 2
35.11.51.2

-T A REG 2
35.11.51.2

-T A REG 2
*8-35.16.51.2
-T A REG 2
*8-44.33.31.2
-T A REG 2
*8-34.21.11.2
-T A REG 2
*8-36.44.11.2
-T A REG 2
*8-34.32.12.2
-T A REG 2
*8-36.50.11.2
-T A REG NOT 2
*9-35.16.61.2
-T A REG NOT 2
*9-34.32.12.2
-T A REG NOT 2
*9-34.21.11.2
-T A REG NOT 2
*9-44.33.11.2

-T A REG NOT 2
35.11.51.2

*1-01A3F24B
02A8E23B
*3-01A3F24B
01B3D03F
01A8F24B
*6-01A3C24B
02A8B24B
01B1B01N
02A8A26L

*2-01A6B26B
01A3F24B
02A8B03F
02A8B07C
01B6A010
*7-01A4E26C
01A3C24B
01B3B01B
*9-01A3D26Q

01A6F26K
02A8B03F
01B7F03B
02B7A026
02A8B15C
01A8F24B
01B6E02M
01B6A01F
01B3B01F

01B4A01K
02A8E23B
01B7D02H
*5-01A3C24B
02B8E02L
01B6A010
02A8C05B
01B6E03B
01B6E02E

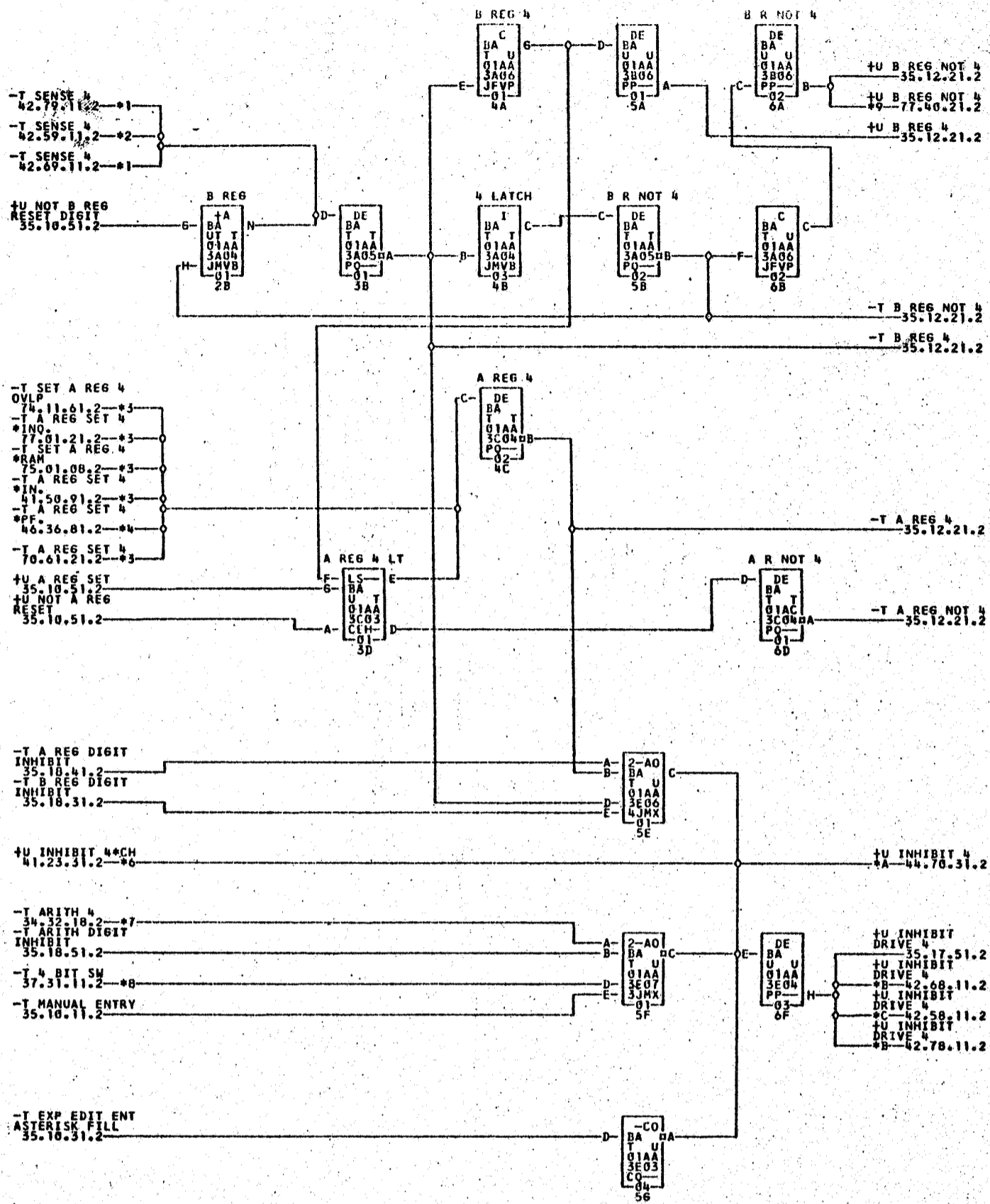
01B3D03B
02A8C25H
01B8A04M
01A4E26C
02A2C24P
02A8B15C
02A8A26N
01B4E03B
02A8B11C

02A8B03F
01B8A04M
*4-01A3F24B
01B1B01B
02A8B26H
02A2C24P
*8-01A3D26Q
02A8C01B
02A8B26F

COMMENTS

TAG DATE E.C.NO. TAG DATE E.C.NO. TAG DATE E.C.NO. TAG DATE E.C.NO.
A 12-15-61 113530 B 12-18-62 114177

728727



- *1-01A3F26B
- *2-01A3A24B
- *3-01A3F23C
- *4-01A3E24C
- *6-01A3D23D
- *7-01A3C25B
- *8-01A3E26C
- *9-01A3C22C
- *A-01A3D23D
- *B-01A3F25F
- *C-01A3A25F
- *D-01A1F01F

COMMENTS TAG DATE E.C.NO. TAG DATE E.C.NO. TAG DATE E.C.NO. TAG DATE E.C.NO.

A 12-15-61 113538 B 02-12-62 116242 C 12-10-62 116177

728728

1771A

0720729

B REG AND A REG & BIT

1401 BA

35.12.21.2

TAG DATE

+U B REG 4
35.12.11.2

+U B REG 4
*1-44.10.21.2
+U B REG 4
*1-36.23.21.2
+U B REG 4 NPF
36.31.91.2
+U B REG 4
*1-34.32.11.2
+U B REG 4
*1-36.13.31.2
+U B REG 4
MOD D
*2-77.40.51.2
+U B REG 4
MOD D
*1-77.40.51.2
+U B REG 4
MOD D
*1-75.01.01.2

B 12.12.62
TA 1578G

C 5.3.63
TA 1771A

-T B REG 4
35.12.11.2

-T B REG 4
*3-36.37.31.2
-T B REG 4
*3-70.51.21.2
-T B REG 4
*3-35.21.11.2
-T B REG 4
*3-44.33.31.2
-T B REG 4
*3-35.16.21.2
-T B REG 4
*3-35.30.41.2
-T B REG 4
*3-32.43.31.2
-T B REG 4
*3-46.10.21.2
-T B REG 4
*3-41.23.21.2

-T B REG NOT 4
35.12.11.2

-T B REG NOT 4
*3-35.16.21.2
-T B REG NOT 4
*4-34.10.21.2
-T B REG NOT 4
*4-44.33.21.2

-T A REG 4
35.12.11.2

-T A REG 4
*5-44.33.11.2
-T A REG 4
*5-34.32.12.2
-T A REG 4
*5-35.16.71.2
-T A REG 4
*5-34.21.11.2
-T A REG 4
*5-36.44.11.2
-T A REG 4
*5-36.50.11.2

-T A REG NOT 4
35.12.11.2

-T A REG NOT 4
*6-35.16.71.2
-T A REG NOT 4
*6-34.21.11.2
-T A REG NOT 4
*6-44.33.11.2
-T A REG NOT 4
*6-34.32.12.2
-T A REG NOT 4
*6-36.12.71.2

+U B REG NOT 4
35.12.11.2

+U B REG NOT 4
*7-35.16.31.2
+U B REG NOT 4
*7-34.32.11.1
+U B REG NOT 4
*7-36.23.21.2
+U B REG NOT 4
*7-36.13.11.2

*1-01A3F24C
02B7A02H
01B7F03C
01B1B01C
*4-01A3C240
01B3B01C
*6-01A3D26A
02A0B09C
01B7A03E

01A6F26L
02A8E23C
01B7D02J
01B6A01P
01B6E02L
01B6A01E
01B3B01G
02A8B26E

01P4A01L
02A6C25J
01B8A0AM
*3-01A3C24H
02A8A26M
02A0C03B
02A0B01C
01B6E03C
01B4B02K
*7-01A3F24H

01B3D03C
01B8A0AM
*3-01A3C24H
02A8A26M
02A0C03B
01B6E03C
01B6E02D
01B3D03E

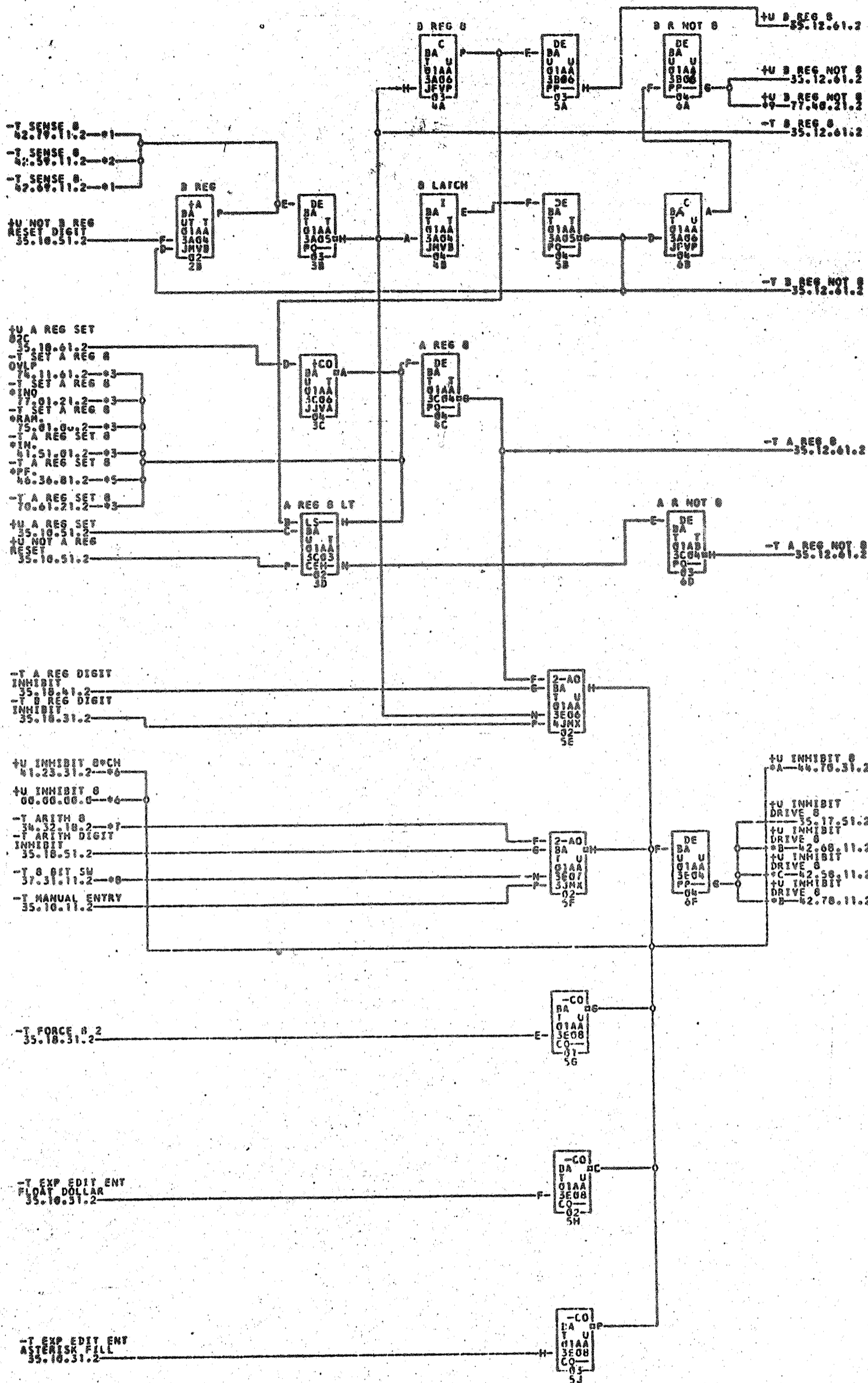
01B7A03D
*2-01A3F24C
01A4E26D
02A2C240
*5-01A3D26H
02A0
C07B
01B3C03H

02A0B05E
02A0B05E
01A8F24C
02B8E02J
01B1B01P
02A8A26P
01B6A03R
01B4A02H

COMMENTS

TAG DATE	E.C.NO.	TAG DATE	E.C.NO.	TAG DATE	E.C.NO.	TAG DATE	E.C.NO.
A 12-15-61	113530	B 07-17-62	114156	C 12-10-62	114177		

728729



- *1-01A3F26A
- *2-01A3A24A
- *3-01A3F23D
- *4-01A3E24L
- *5-01A3E23C
- *6-01A3D23C
- *7-01A3C25A
- *8-01A3E26D
- *9-01A3C22D
- *A-01A3D23C
- *B-01A3A25E
- *C-01A3A25E
- *D-02B7A10A
- *E-01A3E25E
- *F-06B7A08E
- *G-01A1F01E
- *H-02A0C198
- *I-02B6F02C

COMMENTS TAG DATE E.C.NO. TAG DATE E.C.NO. TAG DATE E.C.NO. TAG DATE E.C.NO.

A 12-15-61 113530 B 12-10-62 114177

725141771A

0728731

B REG AND A REG 8 BIT

1401 BA

35.12.61.2

TAG DATE

A 5.4.62
TA 1233B

B 5.3.63
TA 1771A

+U B REG 8
35.12.51.2

+U B REG 8
*1-36.23.31.2
+U B REG 8
*1-34.32.11.2
+U B REG 8
*1-36.13.31.2
+U B REG 8
*1-75.01.01.2
+U B REG 8
*1-77.40.51.2
+U B REG 8
*2-77.40.51.2
+U B REG 8 NPF
*1-36.31.91.2

-T B REG 8
35.12.51.2

-T B REG 8
*3-35.21.11.2
-T B REG 8
*3-35.16.21.2
-T B REG 8
*3-70.51.21.2
-T B REG 8
*3-35.30.41.2
-T B REG 8
*3-32.43.41.2
-T B REG 8
*3-41.23.21.2
-T B REG 8
*3-46.10.21.2

-T B REG NOT 8
35.12.51.2

-T B REG NOT 8
*4-34.10.21.2
-T B REG NOT 8
*4-44.33.11.2
-T B REG NOT 8
*3-35.16.21.2

-T A REG 8
35.12.51.2

-T A REG 8
*5-35.16.71.2
-T A REG 8
*5-34.21.11.2
-T A REG 8
*5-34.32.12.2
-T A REG 8
*5-36.44.11.2
-T A REG 8
*5-44.33.11.2
-T A REG 8
*5-36.50.11.2

-T A REG NOT 8
35.12.51.2

-T A REG NOT 8
*6-35.16.71.2
-T A REG NOT 8
*6-34.32.12.2
-T A REG NOT 8
*6-34.21.11.2
-T A REG NOT 8
*6-44.33.11.2

+U B REG NOT 8
35.12.51.2

+U B REG NOT 8
*7-35.16.31.2
+U B REG NOT 8
*7-34.32.11.2

*1-01A3F24D
02ABE23D
01B7D02C
01B6A01N
02A0B17C
01B4E03D
01B6E02C

01A6F26M
02A8C25K
01B8A06E
02A0B09E
02A8B26J
01B6A01D
02A0C09B

01B4A01M
01B8A06E
*3-01A3C24J
02B8F02P
*5-01A3D26J
02A0B03C
02A8A26Q

01B3D03D
*2-01A3F24D
01A4E26E
02A2C24R
01D1D01Q
02A8B26B
*7-01A3C26B

01B7C03B
02A0C03F
01A8F24D
*4-01A3C24R
01B3B01D
*6-01A3C24A
01B3E01B

02A0C03F
01B7F03D
01B1B01D
01B6E02K
01B6E03D
01B3B01H

COMMENTS

TAG DATE E.C.NO. TAG DATE E.C.NO. TAG DATE E.C.NO. TAG DATE E.C.NO.
A 12-15-61 113530 B 12-10-62 114177

728731

6748732

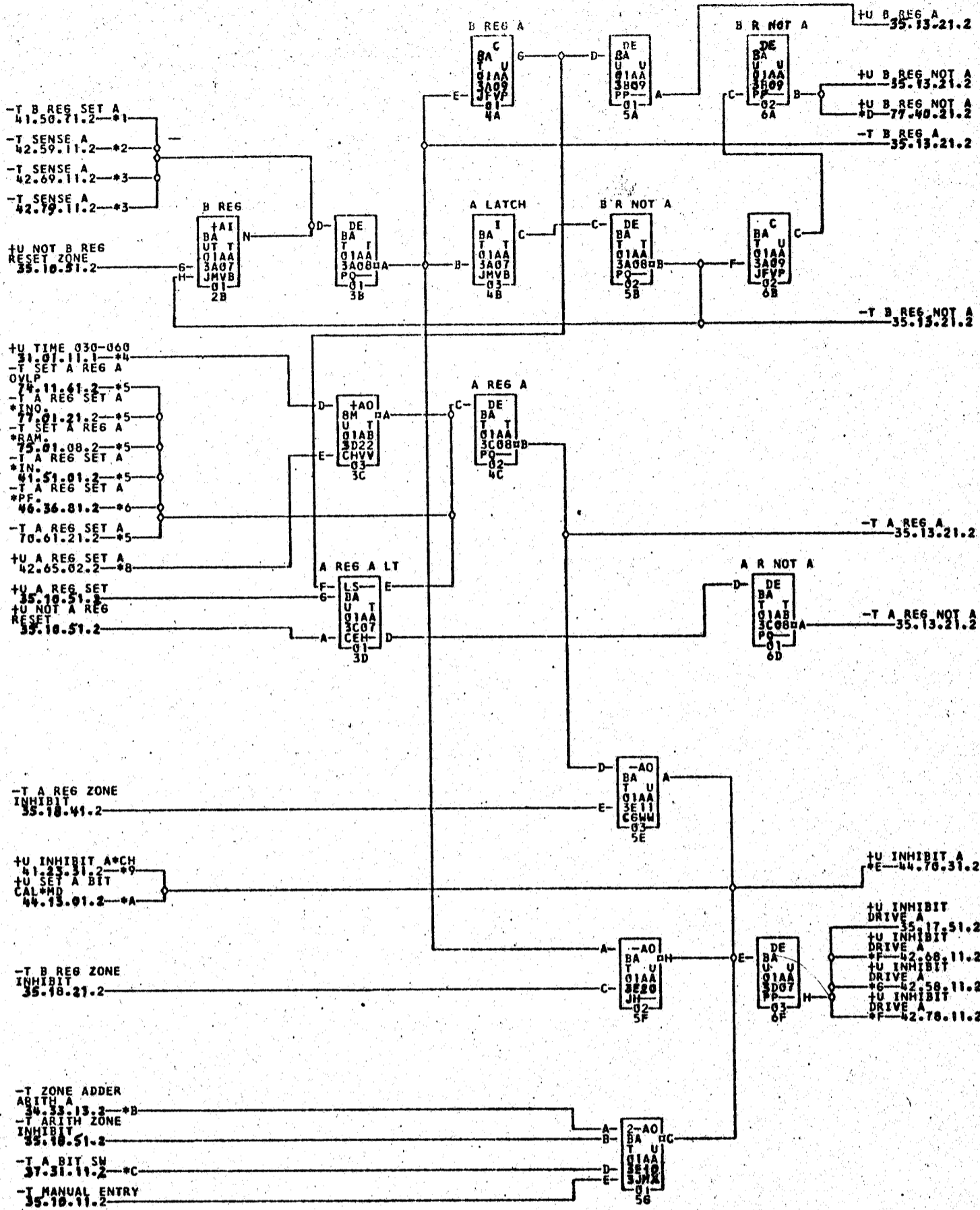
INHIBIT A

1401 BA 35.13.11.2

TAG DATE

A 5.4.62
TA 1233B

B 5.3.63
TA 1771A



- *1-01A3F23M
- *2-01A3A2M5
- *3-01A3F26E
- *4-01A3D25P
- *5-01A3F23E
- *6-01A3E20G
- *7-01A3F24E
- *8-01A3C23E
- *9-06B7A10E
- *A-01A3B23E
- *B-01A3C23E
- *C-01A3E20G
- *D-01A3C23E
- *E-01A3D23B
- *F-01A3F25D
- 06B7A08D
- 01B8A01A
- 01A3A25D
- 01A1E01B
- 02A0C17B
- 02B6F02B

COMMENTS

TAG DATE F.C.NO. TAG DATE F.C.NO. TAG DATE E.C.NO. TAG DATE E.C.NO.
 A 12-15-61 113530 B 12-16-62 116177

B 1771A
 728432

0728733

B REG AND A REG BIT A

1401 BA

35.13.11.2

TAG DATE

+U B REG A
35.13.11.2

- *1-35.30.21.2
- +U B REG A
- *1-75.01.01.2
- +U B REG A
- *1-41.50.01.2
- +U B REG A
- *1-77.00.51.2
- +U B REG A
- *2-77.40.51.2

+U B REG NOT A
35.13.11.2

- +U B REG NOT A
- 35.16.31.2
- +U B REG NOT A
- *3-35.30.21.2
- +U B REG NOT A
- *4-00.00.00.0

-T B REG A
35.13.11.2

- T B REG A
- *5-36.28.11.2
- T B REG A
- *5-41.23.21.2
- T B REG A
- 35.16.31.2
- T B REG A
- *5-35.30.41.2
- T B REG A
- *5-70.51.21.2
- T B REG A
- *5-34.33.11.2
- T B REG A
- *5-32.43.51.2
- T B REG A
- *5-35.21.11.2
- T B REG A
- *5-44.32.11.2
- T B REG A
- *5-46.10.31.2

-T B REG NOT A
35.13.11.2

- T B REG NOT A
- 35.18.61.2
- T B REG NOT A
- *6-34.33.11.2
- T B REG NOT A
- *6-34.21.11.2
- T B REG NOT A
- 35.10.51.2
- T B REG NOT A
- 35.16.31.2
- T B REG NOT A
- *6-44.32.11.2
- T B REG NOT A
- *6-44.11.31.2
- T B REG NOT A
- *6-36.28.11.2

-T A REG A
35.13.11.2

- T A REG A
- *7-34.31.11.2
- T A REG A
- *7-34.21.11.2
- T A REG A
- *7-44.32.11.2
- T A REG A
- 35.16.81.2

-T A REG NOT A
35.13.11.2

- T A REG NOT A
- 35.16.81.2
- T A REG NOT A
- *8-34.31.11.2
- T A REG NOT A
- *8-34.21.11.2
- T A REG NOT A
- *8-44.32.11.2

A 5.4.62
TA 1233B

B 5.3.63
TA 1771A

- *1-01A3F24E
- 02A8C25I
- 01B8A08P
- 01A4E26F
- 02A0E15B
- 01B4C02J
- 01B3D01J
- 01B6E02B

- 01A6F24E
- 01B8A08P
- *3-01A3B26B
- 01A9F24E
- 02B9E02H
- 01B7A03H
- 01B6A01C
- 02A0B17B

- 01B6D02A
- *2-01A3F24E
- 01B6C02B
- 01B1B01E
- 02A0A26H
- 02A0R11B
- 02A0U07H
- 02A8A26J

- 02A8B17F
- 02A8B17F
- *4-01A3F24J
- 01B3D03J
- 02A2B24P
- 02A8A26F
- 02A8A26D

- 02B6C01A
- 01B7F03E
- 01A4E26A
- 01B6A01M
- *6-01A3B25A
- 02B7A02Q
- *8-01A3C24B

- 02A8E23E
- 01B7D02L
- *5-01A3C24K
- 01B7A03N
- 01B3D03L
- *7-01A3B26K
- 01B3B01L

COMMENTS

TAG DATE	E.C.NO.	TAG DATE	E.C.NO.	TAG DATE	E.C.NO.	TAG DATE	E.C.NO.
A 12-15-61	113530	B 12-10-62	114177				

1221
728733
K

0728734

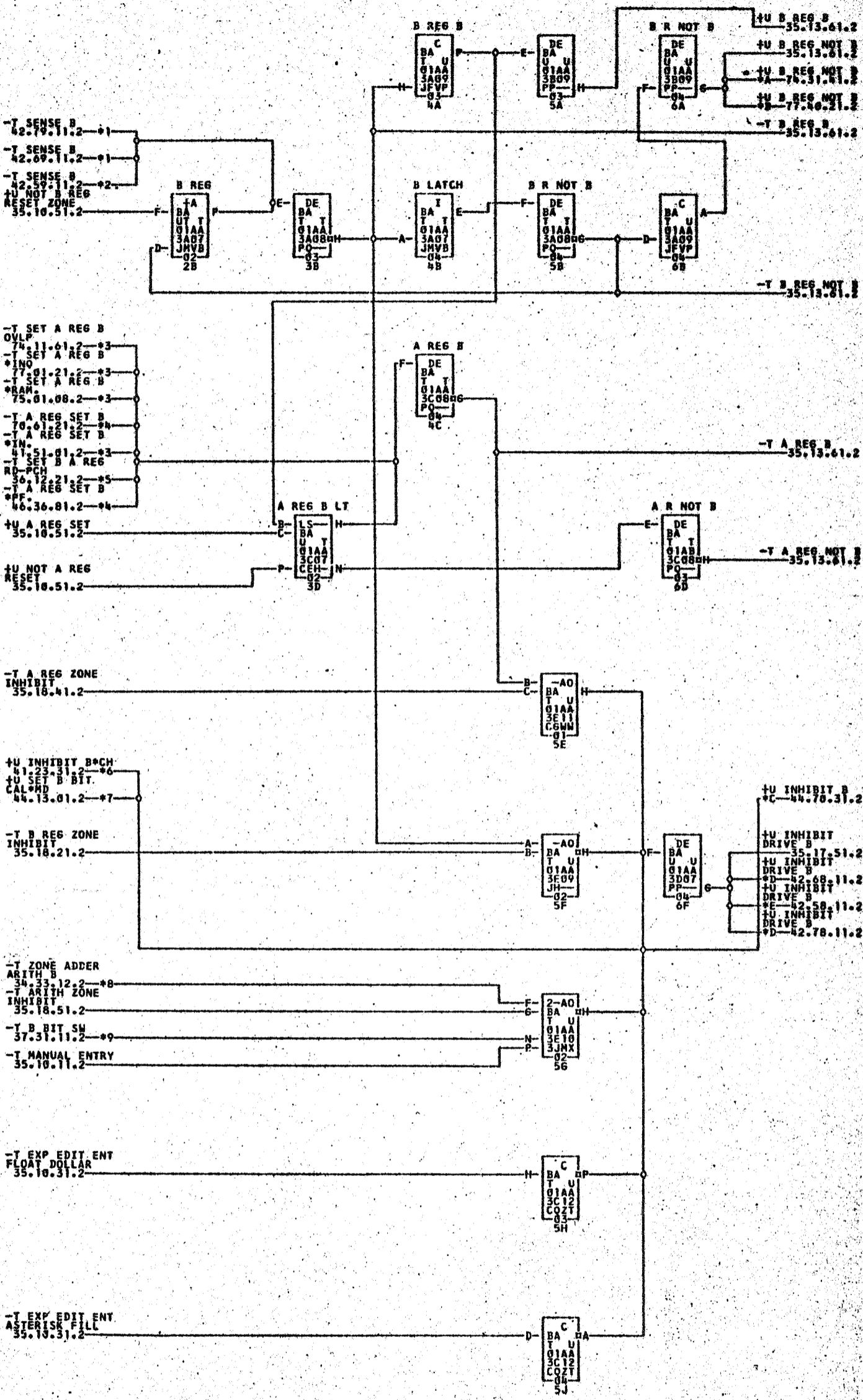
INHIBIT B

1401 BA 35.13.31.2

TAG DATE

A 5.4.68
TA 1233B

B 5.3.63
TA 1771A



- *1-01A3F26F *6-06B7A19F *2-01A3A24F *3-01A3E23F *4-01A3E24F *5-01A3D25G
- *6-01A3D29A *7-01A3E23F *8-01A3C25F *9-01A3E26F *A-01A3A22D *2A-01A3E23G
- *B-01A3E23F *C-01A3D23A *D-01A3F25C *E-01A3A25C *1A-01A1F01C *2B-06F02A
- *F-06B7A08C

COMMENTS

TAG DATE	E.C.NO.	TAG DATE	E.C.NO.	TAG DATE	E.C.NO.	TAG DATE	E.C.NO.
A 12-15-61	113530	B 12-10-62	116177				

1771 A
728734

0720735

B REG AND A REG BIT B

1401 BA

35.13.01.2

TAG DATI

A 5.4.02
TA 1233B

B 5.3.63
TA 1771A

-T B REG B
35.13.51.2

-T B REG NOT B
35.13.51.2

-T A REG B
35.13.51.2

-T A REG NOT B
35.13.51.2

+U B REG NOT B
35.13.51.2

+U B REG B
35.13.51.2

-T B REG B
*1-36.28.11.2
-T B REG B
*1-44.32.11.2
-T B REG B
*1-41.23.21.2
-T B REG B
*1-44.11.31.2
-T B REG B
*1-32.43.61.2
-T B REG B
*1-35.21.11.2
-T B REG B
*1-35.16.31.2
-T B REG B
*1-70.51.21.2
-T B REG B
*1-35.30.41.2
-T B REG B
*1-34.31.16.2
-T B REG B
*1-46.10.31.2
-T B REG NOT B
*2-36.28.11.2
-T B REG NOT B
*2-35.16.31.2
-T B REG NOT B
*2-35.18.61.2
-T B REG NOT B
*2-34.2.11.2
-T B REG NOT B
*2-34.33.11.2
-T B REG NOT B
*2-44.32.11.2
-T B REG NOT B
*2-35.10.51.2
-T A REG B
*3-35.16.81.2
-T A REG B
*3-36.13.31.2
-T A REG B
*4-44.70.41.2
-T A REG B
*4-34.31.11.2
-T A REG B
*4-34.21.11.2
-T A REG B
*4-44.32.11.2

-T A REG NOT B
*5-35.16.81.2
-T A REG NOT B
*5-34.31.11.2
-T A REG NOT B
*5-34.21.11.2
-T A REG NOT B
*5-44.32.11.2

+U B REG NOT B
*6-35.16.31.2
+U B REG NOT B
*6-35.30.21.2

+U B REG B
*7-36.31.91.2
+U B REG B
*8-35.30.21.2
+U B REG B
*7-75.01.01.2
+U B REG B
*8-41.50.01.2
+U B REG B
*7-36.37.31.2
+U B REG B
*9-56.13.11.2
+U B REG B
MOD D
*10-77.40.51.2
+U B REG B
MOD D
*7-77.40.51.2

*1-01A3C24L
01B7A03H
02B7A02P
02A8A26B
02A0B05B
02A0B13B
01B6D02C
01A6B26F
01A6F26P
01B0A0BY

01A4E26G
02A0B09B
*2-01A3B25B
*3-01A3A23D
02A8A26C
02A8A26E
02A0B19F
01B6D02C
01B4A01P

01A8F24F
02A0B15E
01B3D03M
01B4E02D
02B6C01P
*6-01A3B26A
02A8E23F
02A0B19F
*A-01A3F24F

01B1R01F
02B8F026
01B6L02H
*4-01A3D26L
*5-01A3C24C
01B6C02A
02A8C25M
02B6C01C
02A0B19F

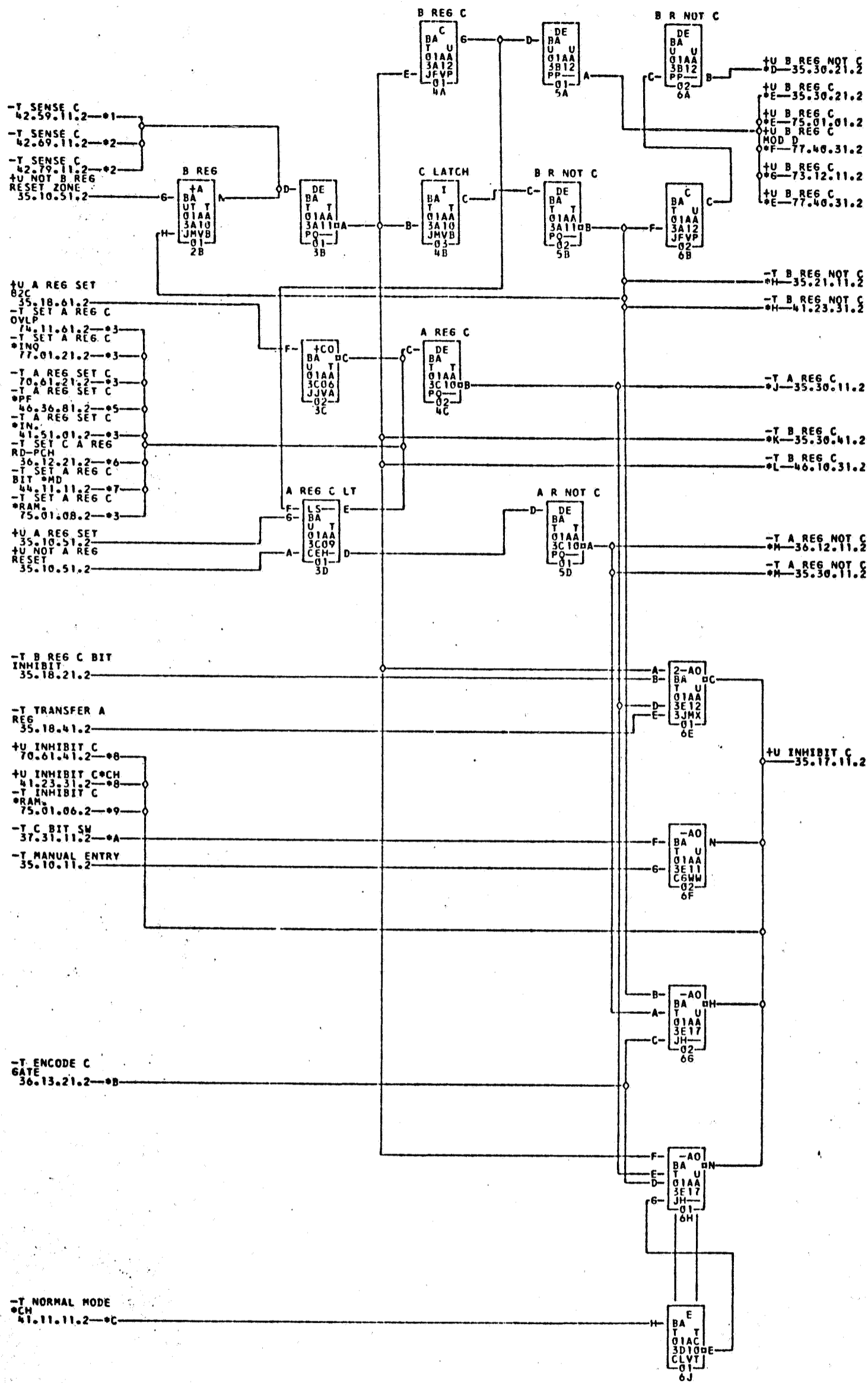
01B3D03K
02A2B240
01B7C03A
01B3B01K
01B3B01M
*7-01A3F24F
01B8A0BY
*9-01A3F24F
01B7F03F

01B6A01L
02A8A26F
02A0B03B
01B6A01R
01B6E02A
01A6B26F
*8-01A3F24F
01A6B26F
01B7D02M

COMMENTS

TAG DATE E.C.NO. TAG DATE E.C.NO. TAG DATE E.C.NO. TAG DATE E.C.NO.
A 12-15-61 113530 B 12-10-62 114177

728735



- | | | | | | |
|-------------|-------------|-------------|--------------|--------------|--------------|
| *1-01A3A246 | *2-01A3F266 | *3-01A3F236 | *4-01A3E246 | *5-01A3E246 | *6-01A3A23R |
| *7-01A3E23B | *8-01A3D236 | *9-01A3D236 | *10-02A0D09R | *11-02A8F240 | *12-01A3E266 |
| *B-01A3A23L | *C-01A3D23L | *D-01A3A26L | *E-01A3A26K | *F-01A3A26K | *13-01B6E020 |
| 02A0C09F | 02A8E236 | 02A8C25N | *G-01A3A26K | *H-01B6E020 | *14-02A0C09F |
| 01B7F036 | 01B7D02N | 01B8A00J | *I-01A3A26K | *J-01A3B25C | *15-01B1B03A |
| 02A2D25H | 02A8E236 | 02A8C25N | *L-01A3D26H | *K-01A3B25C | *16-01B6B02N |
| 01B7C03H | 01B7D01C | 02A9D07R | | *M-01A3B26L | |
| 01B6E03F | 01B4E03F | *K-01A3B26L | | *N-01B6E036 | |
| *M-01A3C24D | 01B6B02N | | | | |

COMMENTS TAG DATE E.C.NO. TAG DATE E.C.NO. TAG DATE E.C.NO. TAG DATE E.C.NO.

A 12-15-61 113530 B 08-08-62 114158 C 12-10-62 116177

728736

720737

UNPAID WM

1401 BA 35.14.51.2

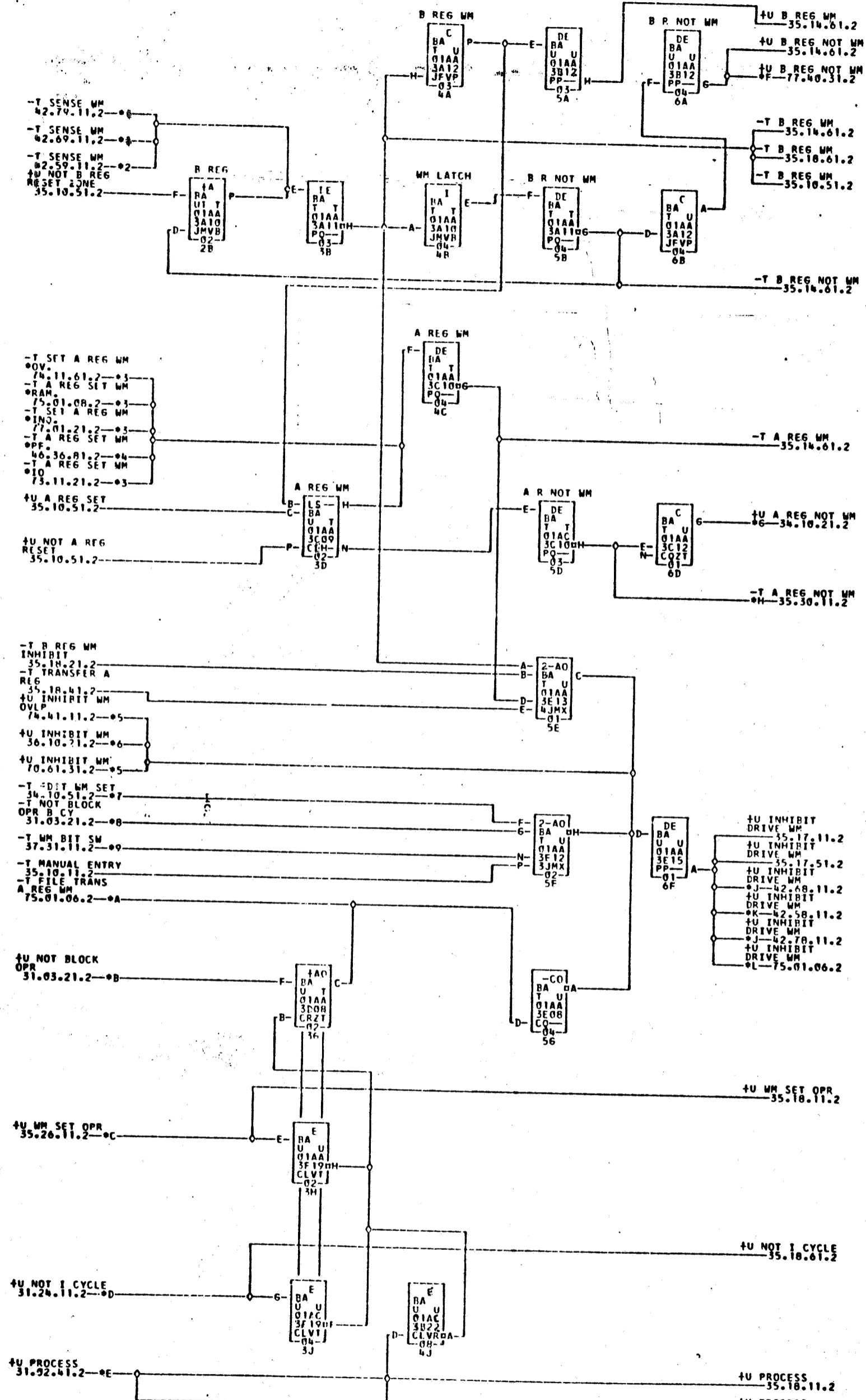
TAG DATE

B 12.7.62

TA 1370F

C 5.3.63

TA 1771A



- *1-01A3F26H
- *2-01A3A26H
- *3-01A3E23Q
- *4-01A3E24P
- *5-01A3D23J
- *6-01A3A23A
- *7-01A3B26F
- *8-01A3D25A
- *9-01A3E26H
- *A-01A3D25M
- *B-01A3D24R
- *C-01A3B24H
- *D-01A3D24F
- *E-01A3D25A
- *F-01A3C22H
- *G-01A3A26M
- *H-01A3B26M
- *I-01A3E23R
- *J-01A3F25A
- *K-01A3A25A
- *L-01A3E23R
- *M-01A3D25A
- *N-01A3D24R
- *O-01A3E23R
- *P-01A3C22H
- *Q-01A3F25A
- *R-01A3D24R
- *S-01A3E23R
- *T-01A3F25A
- *U-01A3D25A
- *V-01A3D24R
- *W-01A3E23R
- *X-01A3F25A
- *Y-01A3D25A
- *Z-01A3D24R

COMMENTS TAG DATE E.C.NO. TAG DATE E.C.NO. TAG DATE E.C.NO. TAG DATE E.C.NO.

A 12-15-61 113530 R 05-03-62 114141 C 12-10-62 114177

720737

0720730

A REG AND B REG WM

1401 BA

35.14.61.2

TAG DATE

C 9.10.62
TA 1573

D 5.3.63
TA 1771A

+U B REG NOT WM
35.14.51.2

+U B REG NOT WM
*1-41.50.01.2
+U B REG NOT WM
*1-31.12.41.2
+U B REG NOT WM
*1-35.30.21.2
+U B REG NOT WM
*2-32.44.31.2
+U B REG NOT WM
*1-74.31.41.2

-T B REG WM
35.14.51.2

-T B REG WM
*3-74.41.11.2
-T B REG WM
*3-35.18.51.2
-T B REG WM
*3-35.21.11.2
-T B REG WM
*3-35.30.41.2
-T B REG WM
*3-34.31.15.2
-T B REG WM
*3-70.51.21.2
-T B REG WM
*3-46.10.31.2

-T B REG NOT WM
35.14.51.2

-T B REG NOT WM
*4-34.91.21.2
-T B REG NOT WM
*3-35.10.51.2
-T B REG NOT WM
*4-44.34.21.2

-T A REG WM
35.14.51.2

-T A REG WM
*5-35.18.61.2
-T A REG WM
*5-34.10.61.2
-T A REG WM
*5-44.11.11.2
-T A REG WM
*5-41.51.71.2
-T A REG WM
*5-44.34.21.2

+U B REG WM
35.14.51.2

+U B REG WM
*6-44.70.41.2
+U B REG WM
*6-34.10.61.2
+U B REG WM
*6-75.01.01.2
+U B REG WM
MOD D
*7-77.40.31.2
+U B REG WM
*6-31.07.11.2
+U B REG WM NPF
*6-36.33.21.2
+U B REG WM NPF
*6-36.37.11.2

*1-01A3E25D
*2-01A3D24E
*3-01A3R25D
02A2B24N
02A6B25K
02A8B26L
02A8E23M
01B7F03M

01B3D03E
01B2D03E
01B1B03B
02H1F02E
*5-01A3D26N
*6-01A3E25C
02A8C25P
01B7D02P

01B6B02O
01B2F02K
01B1D03N
*4-01A1A26M
01B6A01A
01A6C25D
01B8A00T
01B8A00T

02A8C01F
01A7D26K
01A4L26J
01B6F02P
02A0C01C
01E2E02E
02B6C01C

02B6C01B
01A7A23C
01B6A01K
01B6F03K
02B7A02M
01B6A01J
*7-01A3E25C

02B1C02B
01A8A26C
02A0B01E
02A9D13D
02B6C016
02A0B13E
02A0B13E

COMMENTS

TAG DATE E.C.NO. TAG DATE E.C.NO. TAG DATE E.C.NO. TAG DATE E.C.NO.
A 12-15-61 113530 B 04-04-62 114133 C 07-17-62 114156 D 12-10-62 114177

728738
1771A

0720739

INHIBIT C DIS AND C ZONE

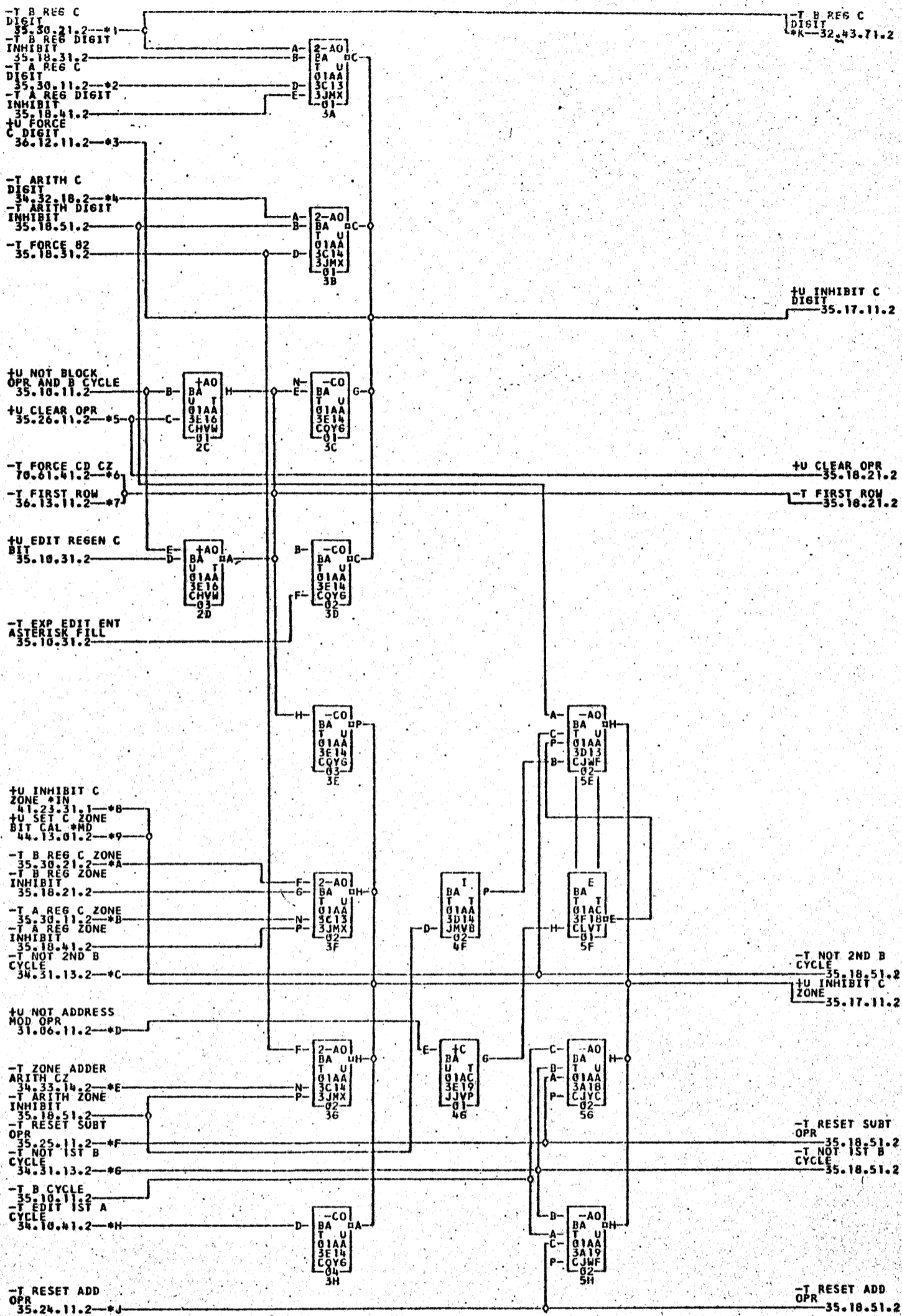
1401 BA

35.15.11.2

TAG DATE

B 9.10.62
TA 1978

C 5.3.68
TA 1771A



- *1-01A3B26N
- *2-01A3B26P
- *3-01A3D25F
- *4-01A3C25L
- *5-01A3A266
- *6-01A3E25P
- *7-01A3A26J
- *8-01A3B26H
- *9-01A3E236
- *A-01A3A260
- *B-01A3C26K
- *C-01A3C26N
- *D-01A3D26J
- *E-01A3C256
- *F-01A3B240
- *G-01A3C26K
- *H-01A3B26D
- *I-01A3E25P
- *J-01A3B24L

COMMENTS

TAG DATE	E.C.NO.	TAG DATE	E.C.NO.	TAG DATE	E.C.NO.	TAG DATE	E.C.NO.
A 12-15-61	113538	B 07-17-62	114136	C 12-10-62	116177		

720739

1771A

0720740

B REGISTER PLANE 9-14

1401 BA

35.15.51.2

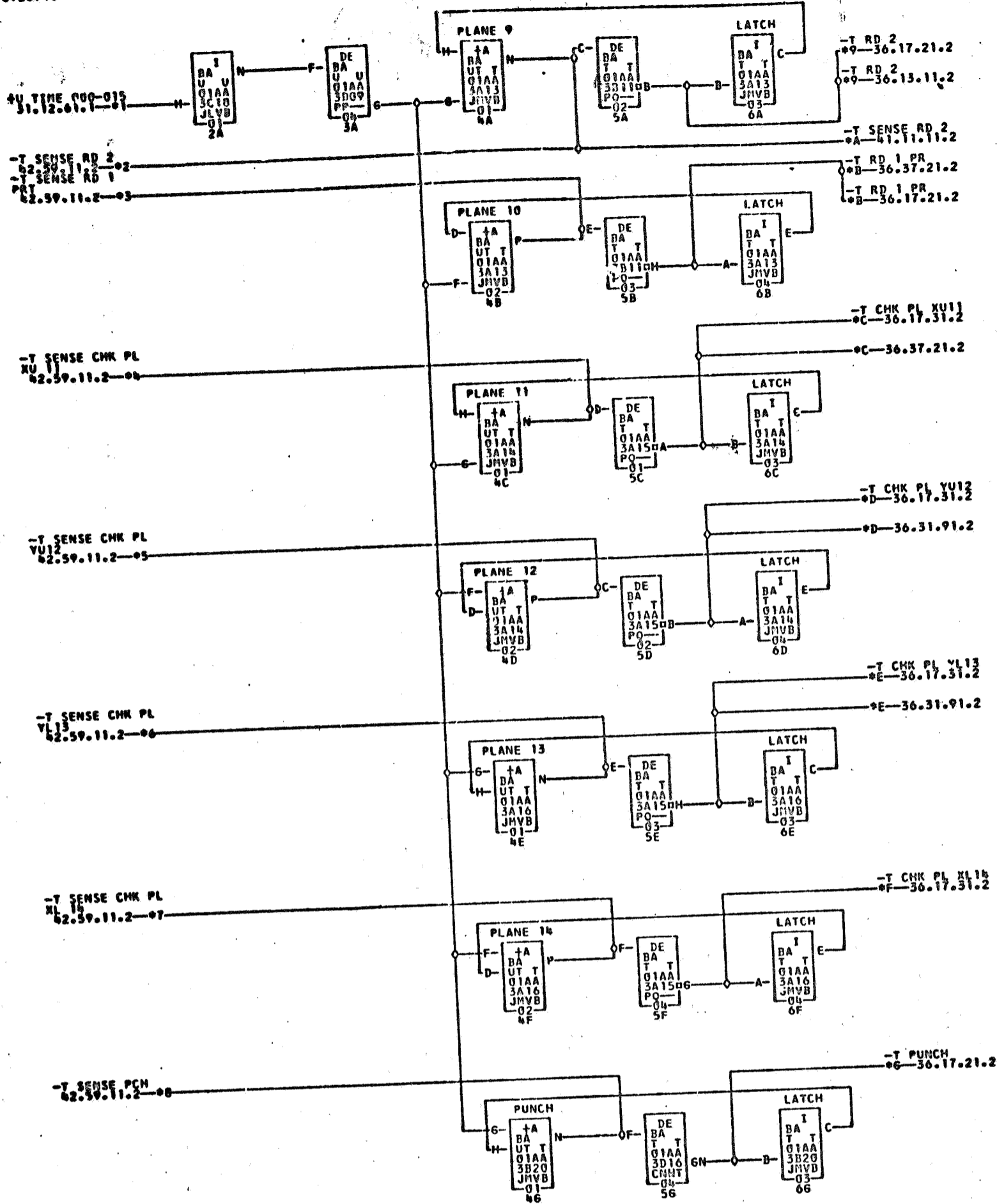
TAG DATE

2.7.62

TA 1370A

3.63

TA 1771A



*1-01A3F24P
 *2-01A3A24K
 *3-01A3A24R
 *4-01A3A24Q
 *5-01A3A24P
 *6-01A3A24N
 *7-01A3A24M
 *8-01A3A24L
 *9-01A3B25G
 *A-01A3B25F
 *B-01A3B25E
 *C-01A3B25H
 *D-01A3B25J
 *E-01A3B25K
 *F-01A3A26A
 *G-01B7B03J
 *H-01B7B03I
 *I-01B7B03H
 *J-01B7B03G
 *K-01B7B03F
 *L-01B7B03E
 *M-01B7B03D
 *N-01B7B03C
 *O-01B7B03B
 *P-01B7B03A
 *Q-01B7B03Z
 *R-01B7B03Y
 *S-01B7B03X
 *T-01B7B03W
 *U-01B7B03V
 *V-01B7B03U
 *W-01B7B03T
 *X-01B7B03S
 *Y-01B7B03R
 *Z-01B7B03Q

*1-01A3F24P
 *2-01A3A24K
 *3-01A3A24R
 *4-01A3A24Q
 *5-01A3A24P
 *6-01A3A24N
 *7-01A3A24M
 *8-01A3A24L
 *9-01A3B25G
 *A-01A3B25F
 *B-01A3B25E
 *C-01A3B25H
 *D-01A3B25J
 *E-01A3B25K
 *F-01A3A26A
 *G-01B7B03J
 *H-01B7B03I
 *I-01B7B03H
 *J-01B7B03G
 *K-01B7B03F
 *L-01B7B03E
 *M-01B7B03D
 *N-01B7B03C
 *O-01B7B03B
 *P-01B7B03A
 *Q-01B7B03Z
 *R-01B7B03Y
 *S-01B7B03X
 *T-01B7B03W
 *U-01B7B03V
 *V-01B7B03U
 *W-01B7B03T
 *X-01B7B03S
 *Y-01B7B03R
 *Z-01B7B03Q

*1-01A3F24P
 *2-01A3A24K
 *3-01A3A24R
 *4-01A3A24Q
 *5-01A3A24P
 *6-01A3A24N
 *7-01A3A24M
 *8-01A3A24L
 *9-01A3B25G
 *A-01A3B25F
 *B-01A3B25E
 *C-01A3B25H
 *D-01A3B25J
 *E-01A3B25K
 *F-01A3A26A
 *G-01B7B03J
 *H-01B7B03I
 *I-01B7B03H
 *J-01B7B03G
 *K-01B7B03F
 *L-01B7B03E
 *M-01B7B03D
 *N-01B7B03C
 *O-01B7B03B
 *P-01B7B03A
 *Q-01B7B03Z
 *R-01B7B03Y
 *S-01B7B03X
 *T-01B7B03W
 *U-01B7B03V
 *V-01B7B03U
 *W-01B7B03T
 *X-01B7B03S
 *Y-01B7B03R
 *Z-01B7B03Q

*1-01A3F24P
 *2-01A3A24K
 *3-01A3A24R
 *4-01A3A24Q
 *5-01A3A24P
 *6-01A3A24N
 *7-01A3A24M
 *8-01A3A24L
 *9-01A3B25G
 *A-01A3B25F
 *B-01A3B25E
 *C-01A3B25H
 *D-01A3B25J
 *E-01A3B25K
 *F-01A3A26A
 *G-01B7B03J
 *H-01B7B03I
 *I-01B7B03H
 *J-01B7B03G
 *K-01B7B03F
 *L-01B7B03E
 *M-01B7B03D
 *N-01B7B03C
 *O-01B7B03B
 *P-01B7B03A
 *Q-01B7B03Z
 *R-01B7B03Y
 *S-01B7B03X
 *T-01B7B03W
 *U-01B7B03V
 *V-01B7B03U
 *W-01B7B03T
 *X-01B7B03S
 *Y-01B7B03R
 *Z-01B7B03Q

*1-01A3F24P
 *2-01A3A24K
 *3-01A3A24R
 *4-01A3A24Q
 *5-01A3A24P
 *6-01A3A24N
 *7-01A3A24M
 *8-01A3A24L
 *9-01A3B25G
 *A-01A3B25F
 *B-01A3B25E
 *C-01A3B25H
 *D-01A3B25J
 *E-01A3B25K
 *F-01A3A26A
 *G-01B7B03J
 *H-01B7B03I
 *I-01B7B03H
 *J-01B7B03G
 *K-01B7B03F
 *L-01B7B03E
 *M-01B7B03D
 *N-01B7B03C
 *O-01B7B03B
 *P-01B7B03A
 *Q-01B7B03Z
 *R-01B7B03Y
 *S-01B7B03X
 *T-01B7B03W
 *U-01B7B03V
 *V-01B7B03U
 *W-01B7B03T
 *X-01B7B03S
 *Y-01B7B03R
 *Z-01B7B03Q

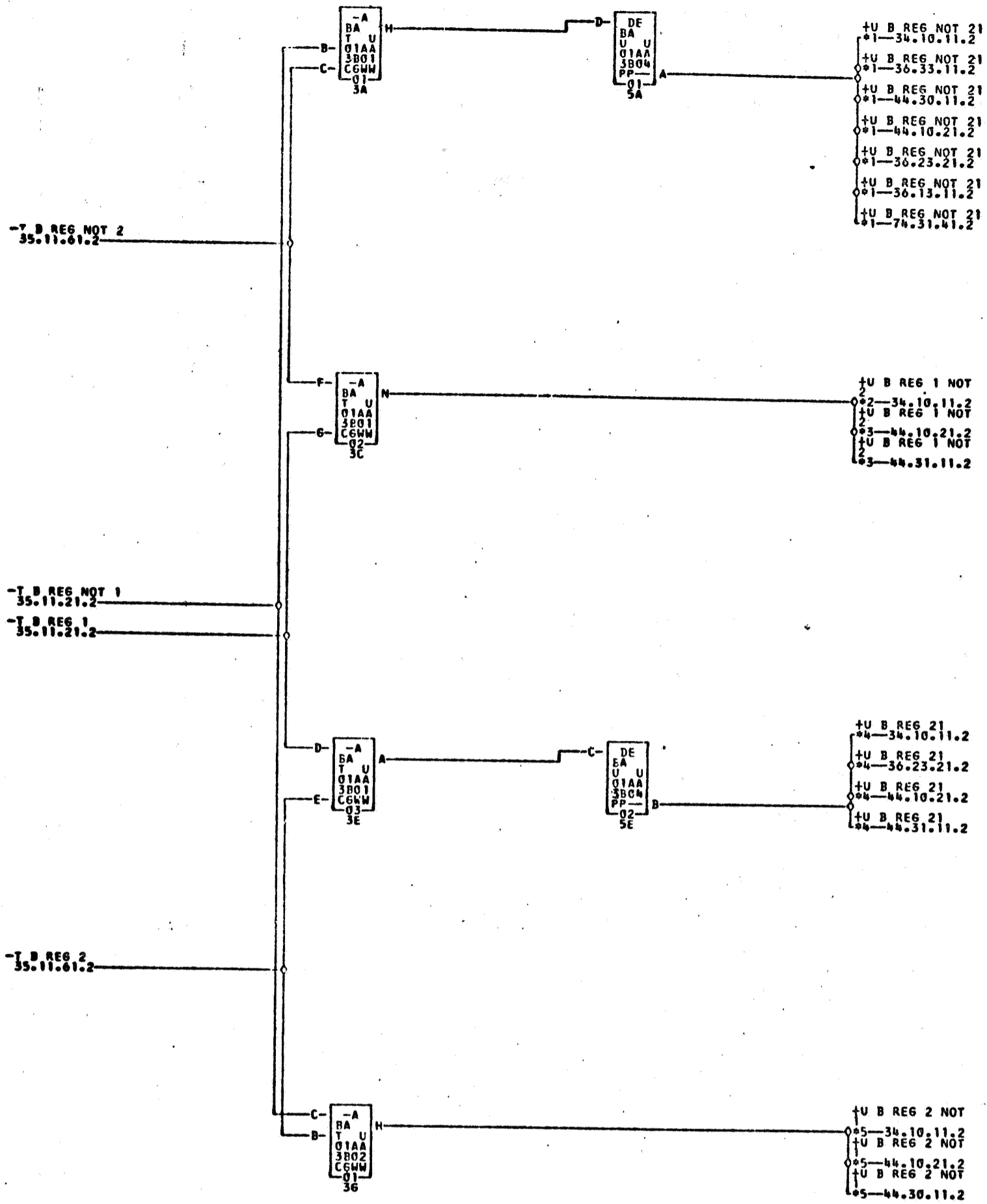
*1-01A3F24P
 *2-01A3A24K
 *3-01A3A24R
 *4-01A3A24Q
 *5-01A3A24P
 *6-01A3A24N
 *7-01A3A24M
 *8-01A3A24L
 *9-01A3B25G
 *A-01A3B25F
 *B-01A3B25E
 *C-01A3B25H
 *D-01A3B25J
 *E-01A3B25K
 *F-01A3A26A
 *G-01B7B03J
 *H-01B7B03I
 *I-01B7B03H
 *J-01B7B03G
 *K-01B7B03F
 *L-01B7B03E
 *M-01B7B03D
 *N-01B7B03C
 *O-01B7B03B
 *P-01B7B03A
 *Q-01B7B03Z
 *R-01B7B03Y
 *S-01B7B03X
 *T-01B7B03W
 *U-01B7B03V
 *V-01B7B03U
 *W-01B7B03T
 *X-01B7B03S
 *Y-01B7B03R
 *Z-01B7B03Q

COMMENTS

TAG DATE E.C.NO. TAG DATE E.C.NO. TAG DATE E.C.NO. TAG DATE E.C.NO.
 A 12-15-61 113530 B 04-04-62 114133 C 12-10-62 114177

A 5.4.62
TA 1233B

B 5.3.63
TA 1771A



*1-01A3F24M
02A0B09A
*3-01A3F24K
01B7A03A
02A0B19A

01A6B26G
02A8A25E
02A0C07A
02A0C03A
02B7A02B

01B6D02M
02B7A02C
02B7A02E
02B7A02F
02A8A25K

01B6E03N
02B7C02J
02A8A25P
02A8A25M

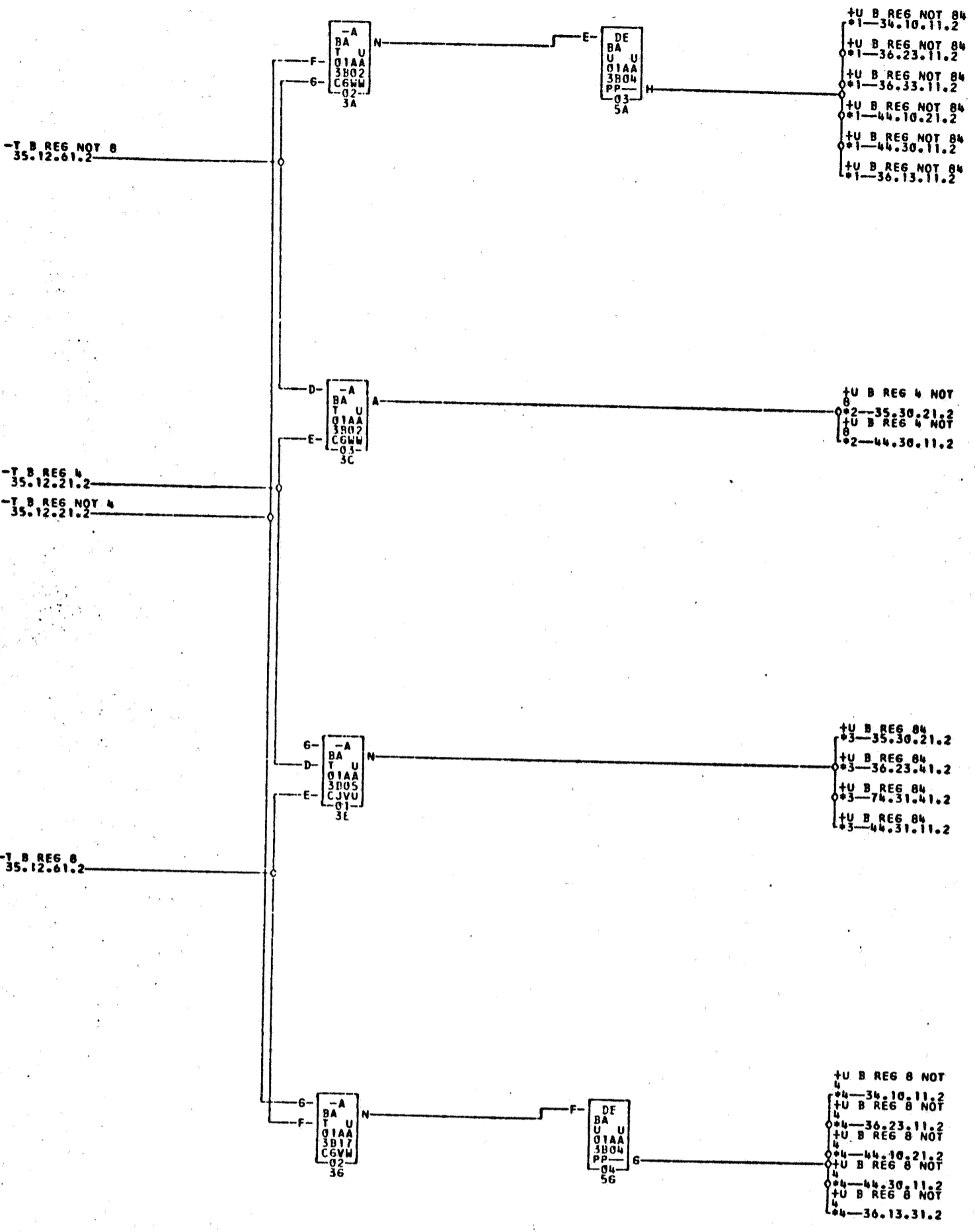
01B4E03N
*2-01A3F24K
*4-01A3F24L
*5-01A3F24N

01B7A03B
01B6D02L
01B6D02J
01B6D02K

COMMENTS

TAG DATE	E.C.NO.	TAG DATE	E.C.NO.	TAG DATE	E.C.NO.	TAG DATE	E.C.NO.
A 12-15-61	113530	B 12-10-62	114177				

728741



A 5.4.62
TA 1233B
B 5.3.63
TA 1771A

- *1-01A3E25B
- 01A6E26J
- 01B6102H
- *2-01B6E03J
- 01B4E03J
- 01B7A03L
- 02A0B07A
- 02A8A25D
- 02B7A02D
- 01A3F24Q
- 01B6D026
- 02A0B15A
- 02A8A25M
- *3-01A3E25A
- 01A6B26H
- *4-01A3F24R
- 01B6D02E
- 01B7A03K
- 02A0C01A
- 02A8A25L
- 02B1C02H
- 01A3E25J
- 02A0B17A
- 02A8A25J
- 02B7A02A
- 01B6A03L
- 01B4B02L

COMMENTS	TAG DATE	E.C.NO.	TAG DATE	E.C.NO.	TAG DATE	E.C.NO.	TAG DATE	E.C.NO.
	A 12-15-61	113530	B 12-10-62	114177				

720742

0728743

B REG ELANK AND COMBINED BITS AB

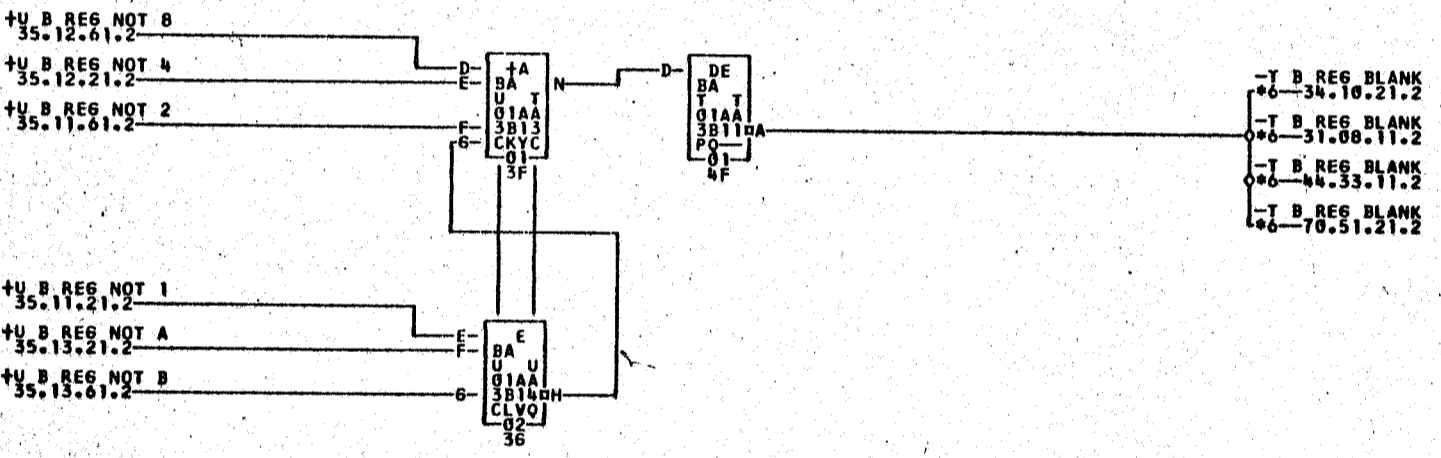
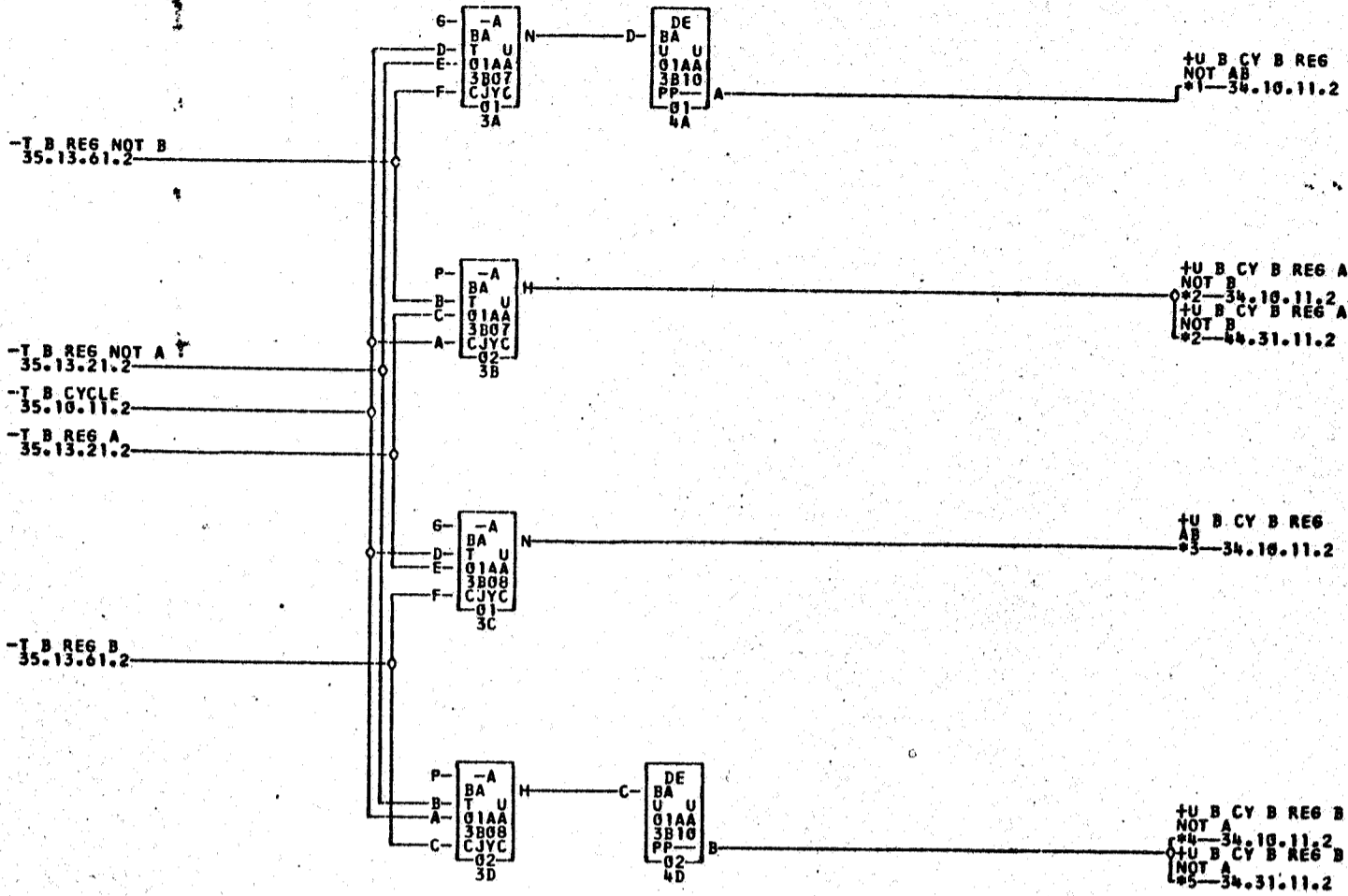
1401 BA

35.16.31.2

TAG DATE

A 5.4.62
TA 1233B

B 5.3.63
TA 1771A

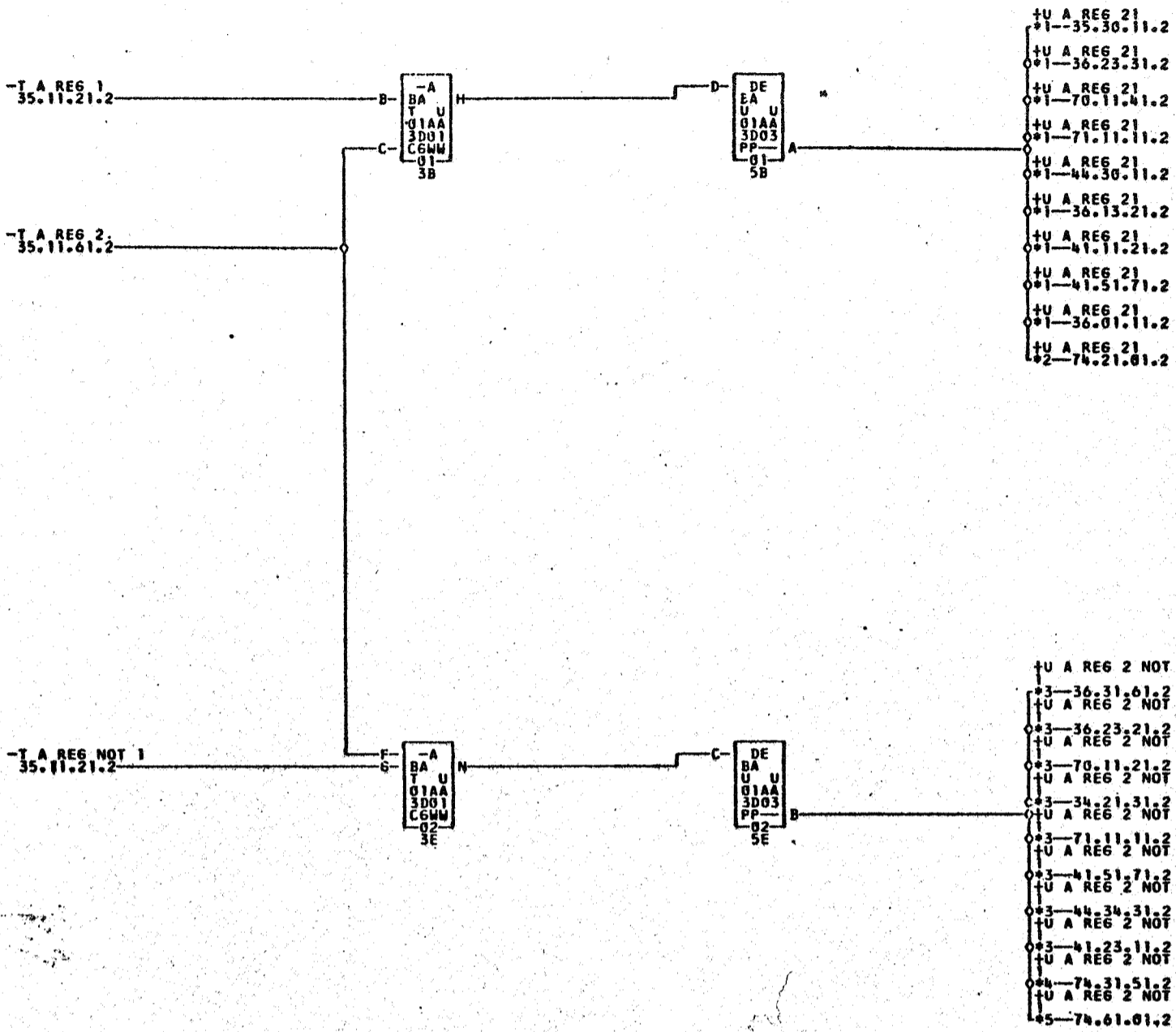


- *1-01A3E25H
- *2-01A3E25E
- *3-01A3E256
- *4-01A3E25F
- *5-01A3E25F
- *6-01A3E25E
- 01B6C02D
- 01B6D02B
- 01B6D02N
- 01B6F01P
- 01B6B02R
- 02A0C05A
- 02A8A25N
- 02A2A26K
- 02A2A26L
- 01B3D03P
- 02A0B19B

COMMENTS

TAG DATE	E.C.NO.	TAG DATE	E.C.NO.	TAG DATE	E.C.NO.	TAG DATE	E.C.NO.
A 12-15-61	113530	B 12-10-62	114177				

728743



#1-01A3E25L
 02A0B13A
 02B8E02C
 01A6B26L
 02A2C24H
 02B1B01B

01A6C25G
 02A8B05G
 02TD-044
 01B6B02K
 02B6C01H
 #5-01A3E24K

01B7A03R
 02A1D26F
 #2-01A3A22K
 01B7A03Q
 02A8B26M
 01A9C26K

01B6A03G
 02A2C24K
 02A0A19F
 02A0C03C
 02B8E02H
 01A5E26G

01B4B02C
 02A8A25G
 02B1B01K
 02A0B15G
 #4-01A3A22G
 02A9A19G

01B6B02J
 02B6C01D
 #3-01A3E25K
 02A1D26E
 02A0A09F
 02B8C04G

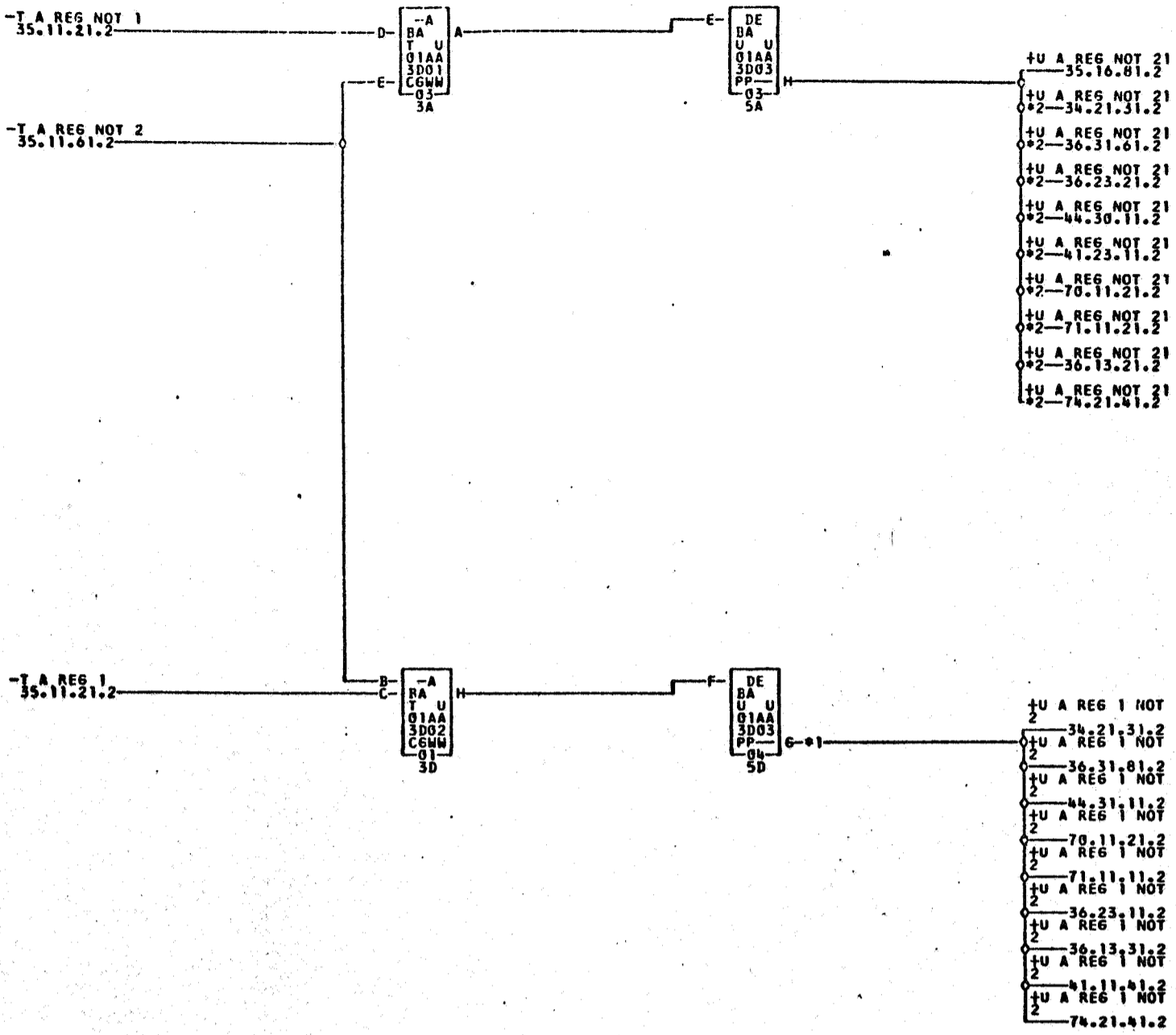
COMMENTS

TAG DATE	E.C.NO.	TAG DATE	E.C.NO.	TAG DATE	E.C.NO.	TAG DATE	E.C.NO.
A 12-15-61	113530	B 04-04-62	114133	C 12-10-62	114177		

728744

A 5.4.62
TA 1233B

B 5.3.63
TA 1771A



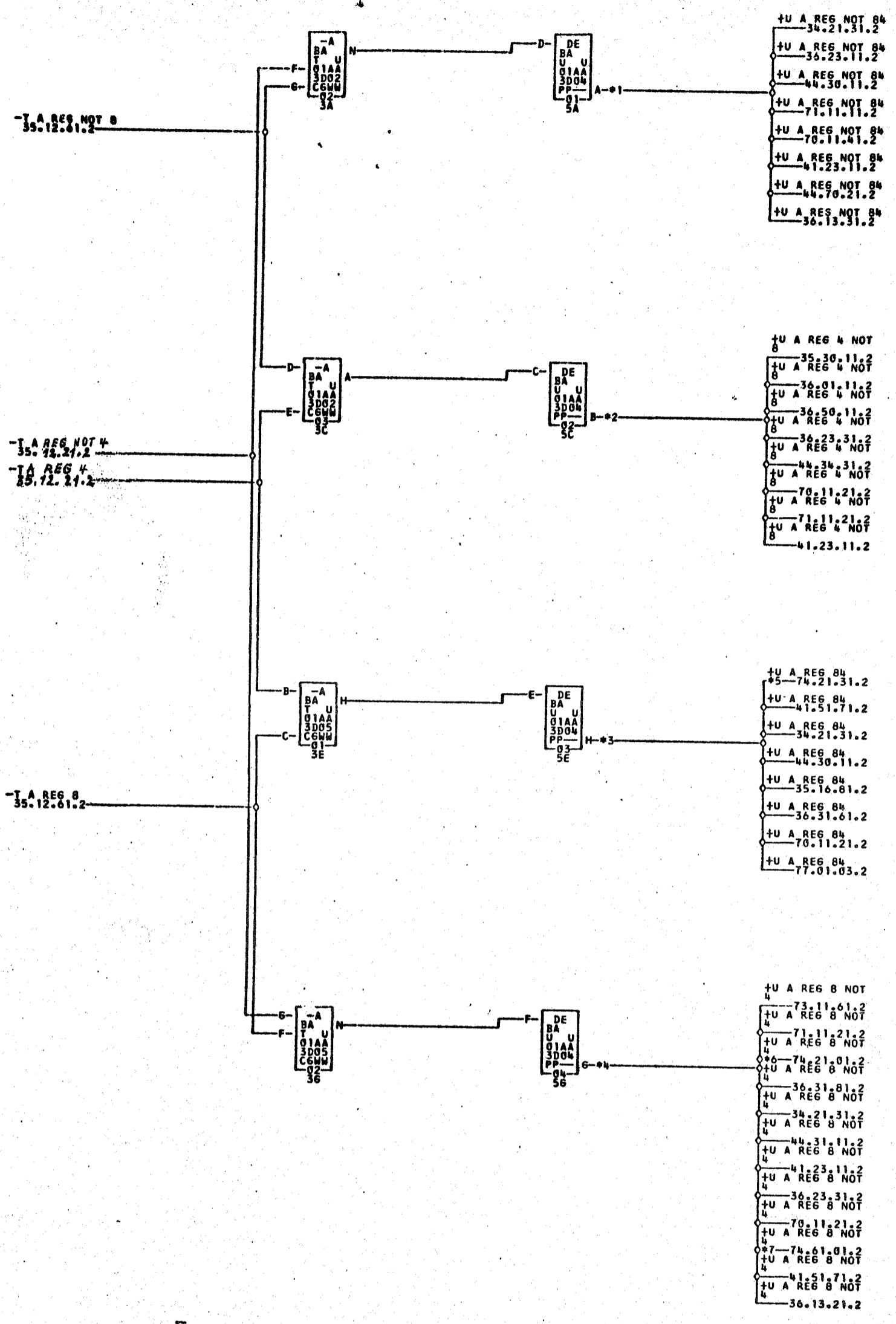
01-01A3E25J	01A6B26K	01B6B02L	01B6E03H	01B4E03H	01B7A03P
02A0B116	02ABA26A	02B1C02D	02A0B01D	02B8E02F	02A2C24J
02A1D26C	02A3E25M	01A6C25E	01B6B02H	01B6E03E	01B4E03E
02B1C02E	02A0B03A	02ABA25E	02A0B02G	02A2C24L	02A1D26B

COMMENTS TAG DATE E.C.NO. TAG DATE E.C.NO. TAG DATE E.C.NO. TAG DATE E.C.NO.

A 12-15-61 113530

B 12-10-62 114177

728745

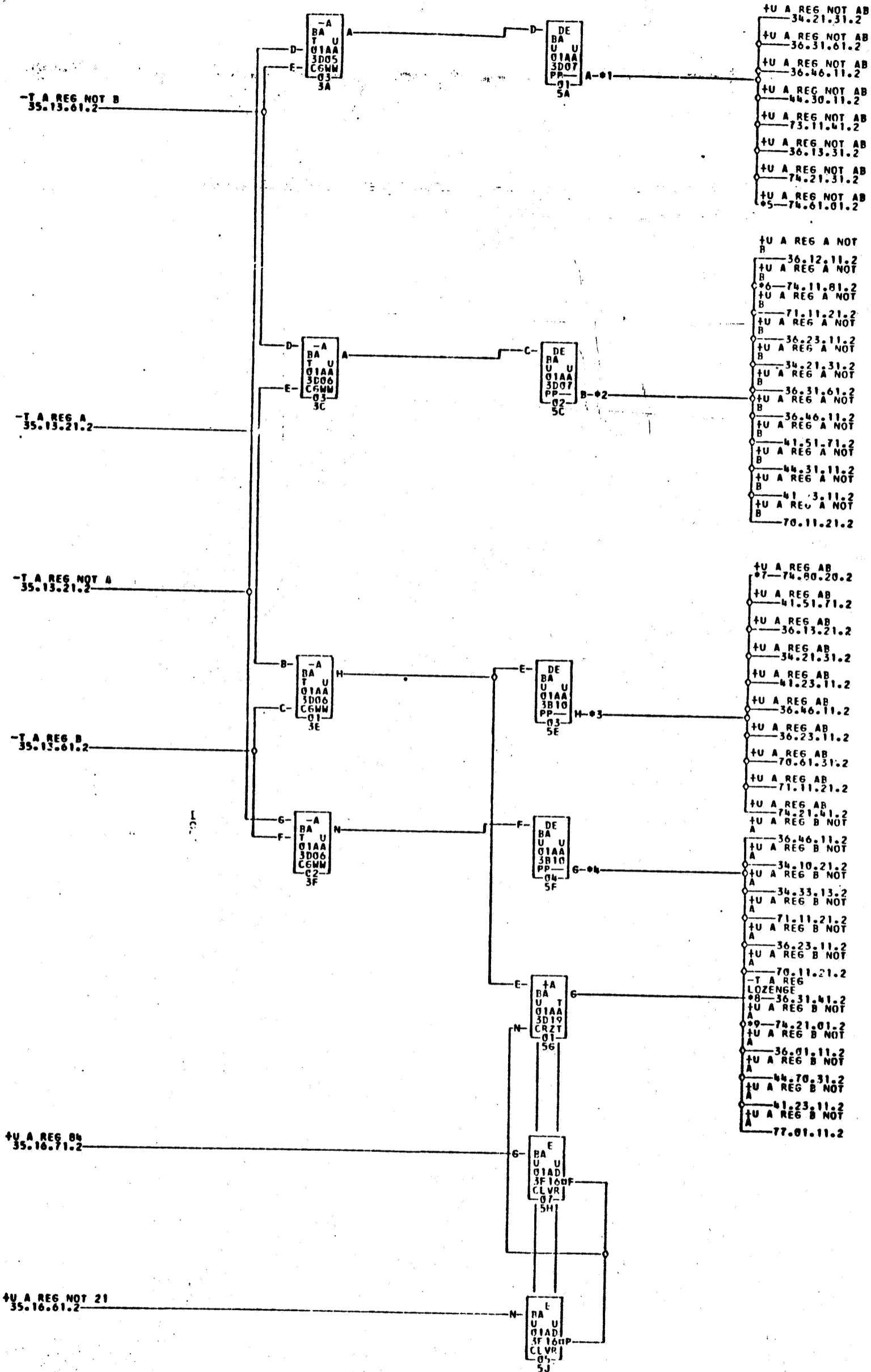


*1- 01A3D26A	01B6B02H	01B6A03D	01B4B02D	01B7B03D	*2- 02A0B01A
02B8E02A	02ABA25A	02A0B016	02A1D26D	02A2C246	*3- 01A3E25N
01A6C25H	01B2E026	01B6B026	01B6A036	01B4B026	01B7B03B
02A0C05C	02B8E02N	02A0B176	02A2C24H	02A1D26M	*4- 01A3E25R
01A6B26N	01B6B02E	02A0B11A	02B6C01E	02ABA25F	02A2C24F
*4- 01A3E25Q	01A6B26M	01B6B02F	01B6E03K	01B4E03K	01B7B03C
02A0C09A	02B6C01J	02A0B076	02A0B076	02A2C24E	02A1D26L
02B8E02D	02TD-045	*5- 01A3A25Q	02A0B11A	02B1B01C	*6- 01A3A22R
02A0A076	02B1B01R	*7- 01A3E24J	01A5C26J	01A5E26F	02A9A176
02B8C04F					

COMMENTS

TAG DATE	E.C.NO.	TAG DATE	E.C.NO.	TAG DATE	E.C.NO.	TAG DATE	E.C.NO.
A 12-15-61	113530	B 04-04-62	114133	C 12-10-62	114177		

728746



*1-01A3D26E	01A6B26P
02A0B05A	02A8A25C
01B1B01H	01B0B02B
02A2C24C	02A8A25R
*3-01A3D26D	01B1B01K
02A0C056	02A2C24B
02A1D26P	01A3D26C
01B3B01N	*4-01A3D26C
02B8E02R	02A0C036
02B8C04E	02A1D26N
01A5E26Q	*6-01A3A22A
02A0A19E	02A9C196
	02B1B01B

01B1B01L	01B1B02N
02A2C24A	02P1C02P
01B0C03P	01B0E03P
02A0C13A	02B6C01K
01B0B02A	01B6G03L
02B1C02G	02A0C11D
01A0C25K	01B1B01J
02A0C23J	02A2C24D
*5-01A3E24H	01A5C26H
02ACA17E	02D1B01A
02B8C04Q	*8-01A3A26C

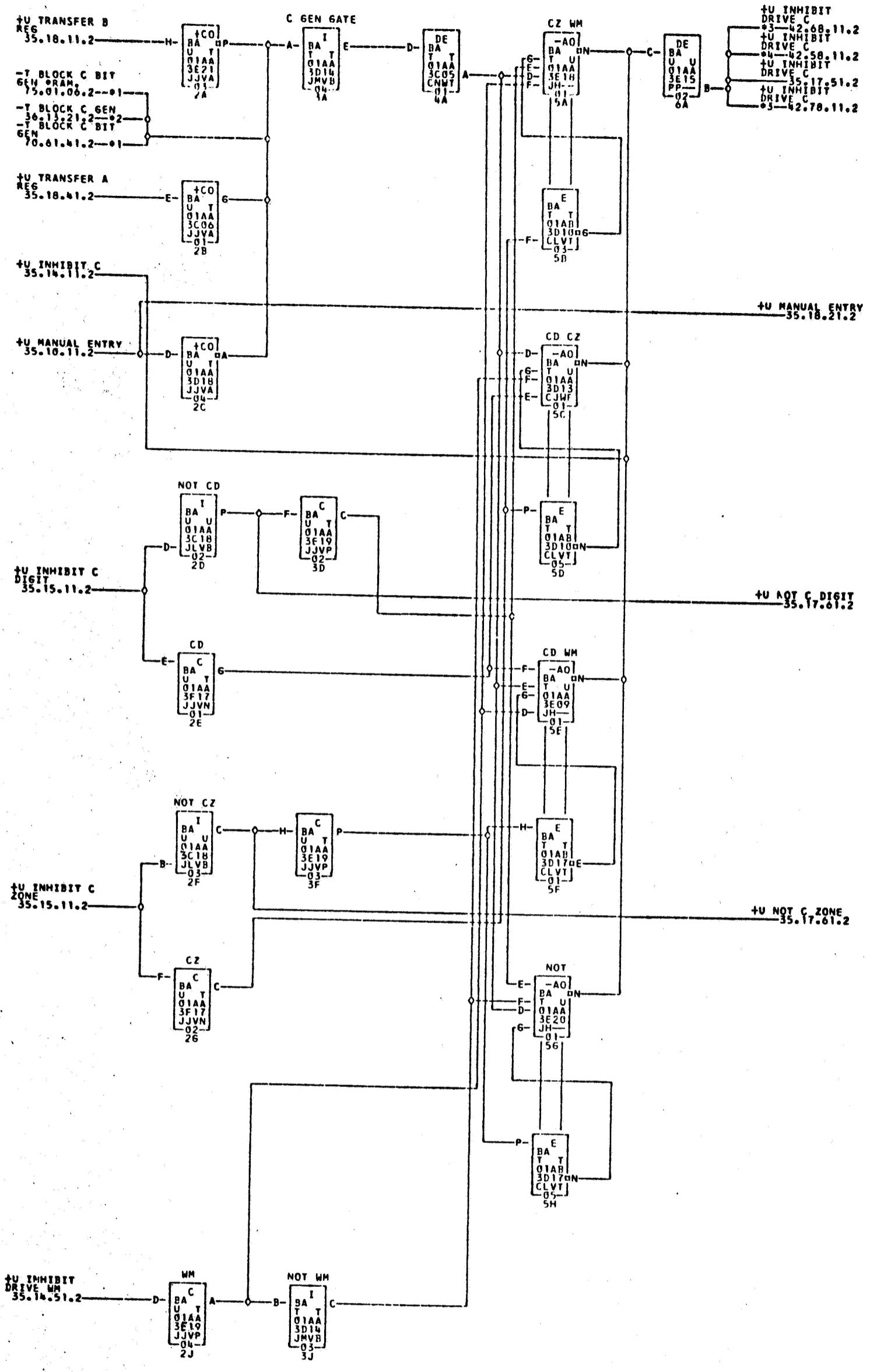
*2-01B4D03N	01B4D03N
01A3D26B	01B7B03E
01B7B03E	02A1D26Q
02A1D26Q	01B4E03L
01B4E03L	02B8E02Q
02B8E02Q	01B6B02C
01B6B02C	02A0C09D
02A0C09D	01A5E26E
01A5E26E	*7-01A3E24L
01A3E24L	01A6B26P

01B6B02D	01B6B02D
01A6C25J	02A0C11A
02A0C11A	02B8E02E
02B8E02E	01B7B036
01B7B036	02B6C01F
02B6C01F	01B7B03F
01B7B03F	02B6C01N
02B6C01N	02A2A156
02A2A156	01A5C26L
01A5C26L	*9-01A3A22B

COMMENTS

TAG DATE	E.C.NO.	TAG DATE	E.C.NO.	TAG DATE	E.C.NO.	TAG DATE	E.C.NO.
A 12-15-61	113530	B 05-10-62	114184	C 07-17-62	114156	D 12-10-62	114177

728747



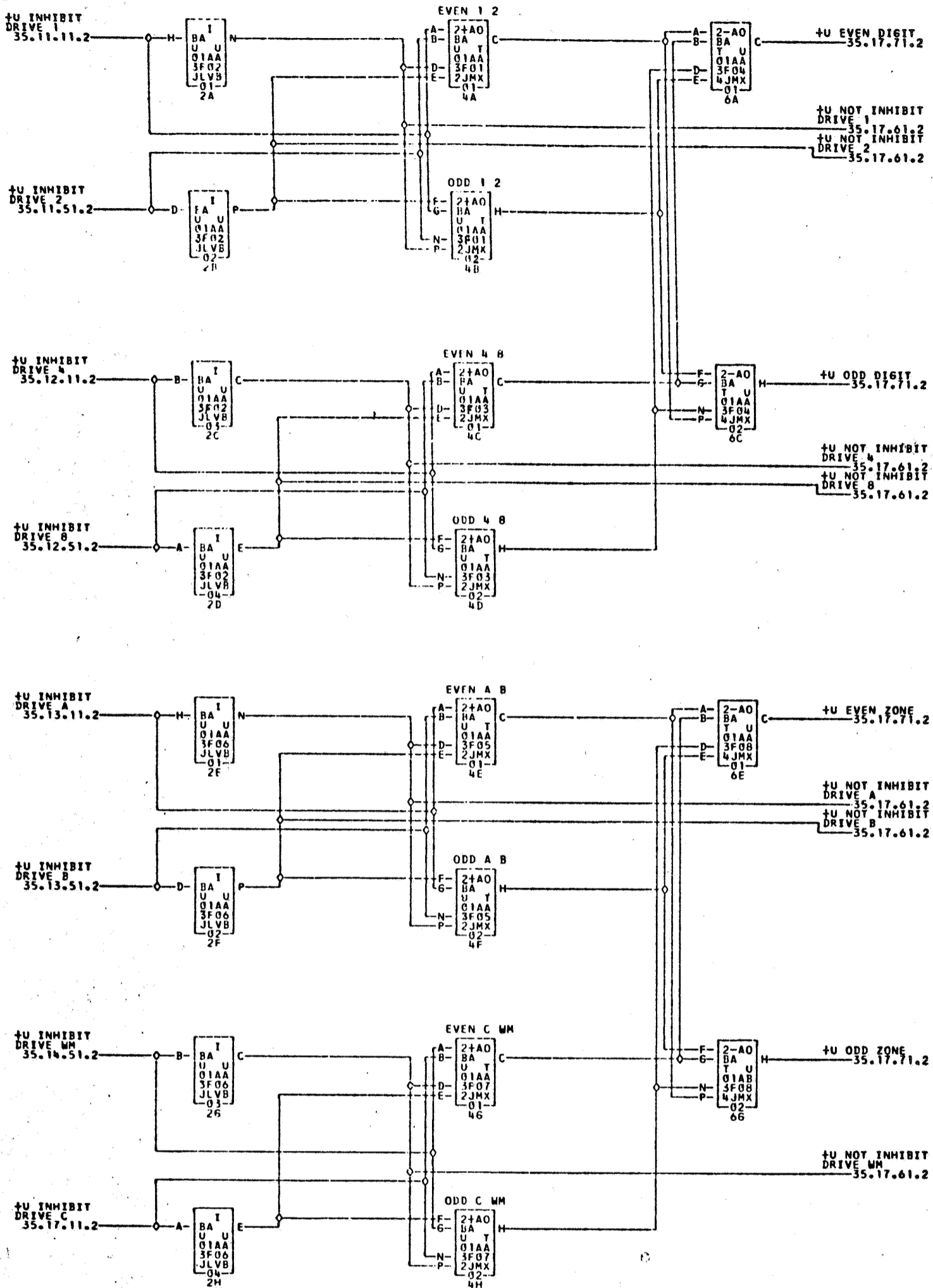
- *1—01A3F23R
- *2—01A3A23M
- *3—01A3F25B
- 02A0E05C
- 01A1F01B
- 02A8F24P
- 06B7A08B

COMMENTS

TAG DATE	E.C.NO.	TAG DATE	E.C.NO.	TAG DATE	E.C.NO.	TAG DATE	E.C.NO.
A 12-15-61	113530	B 12-10-62	114177				

728748

A 5.4.62
TA 1233B
B 5.3.63
TA 1771A



COMMENTS

TAG DATE	E.C.NO.	TAG DATE	E.C.NO.	TAG DATE	E.C.NO.	TAG DATE	E.C.NO.
A 12-15-61	113530	B 12-10-62	114177				

728749

0728750

INHIBIT CHECK SECTION 2

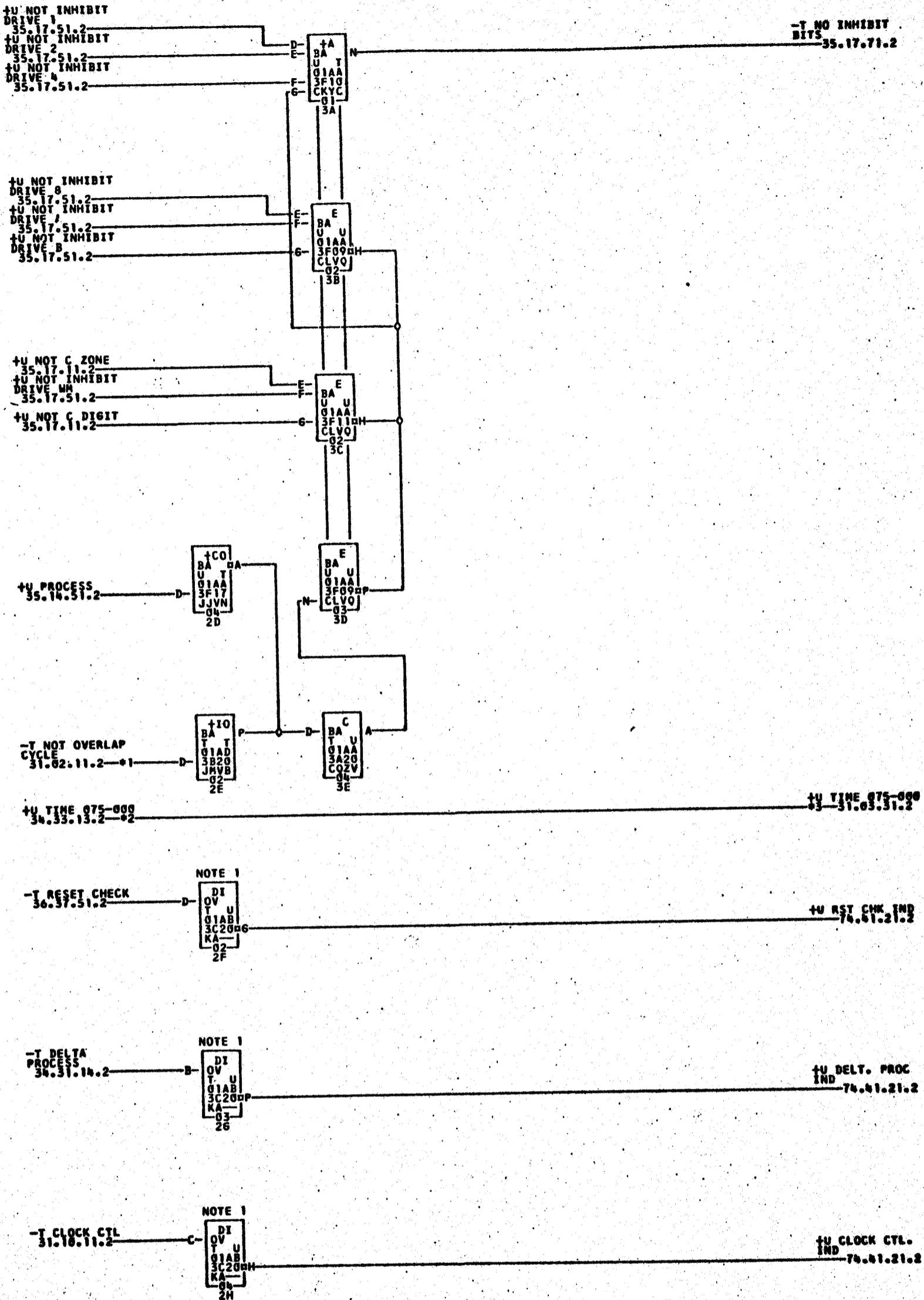
1461 BA

35.17.61.2

TAG DATE

C 12.7.62
TA 1370F

D 5.3.63
TA 1771A



*1-01A3D25D

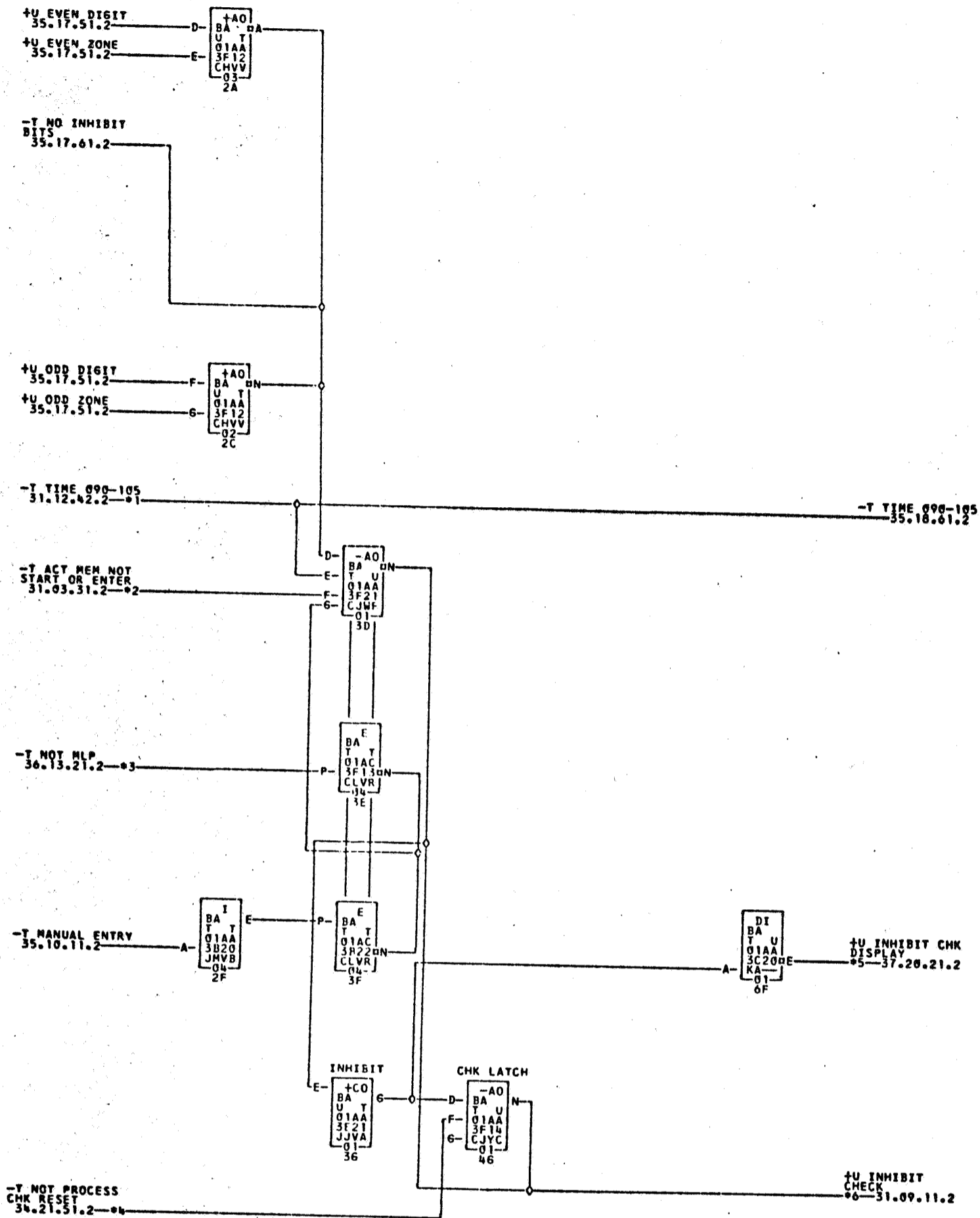
*2-01A3C26R

*3-01A3D25R

728750

NOTE: OVERLAP INDICATOR WIRED FROM
REAR MAIN CABLE

TAG DATE	FIC NO.	TAG DATE	FIC NO.	TAG DATE	FIC NO.	TAG DATE	FIC NO.
A 12-15-61	115330	B 04-04-62	116133	C 05-03-62	116161	D 12-10-62	116177

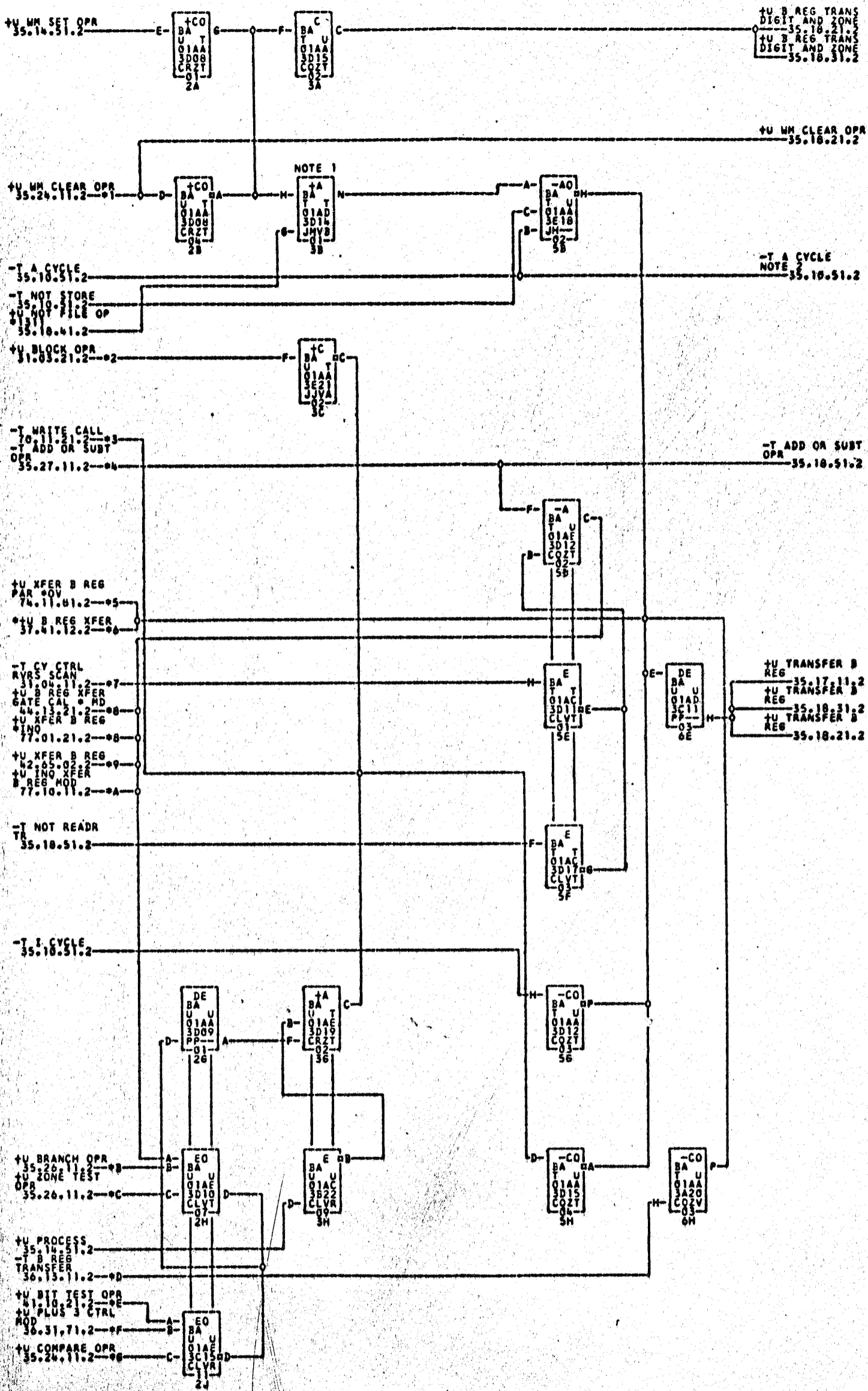


- *1—01A3C26A *2—01A3C24H *3—01A3D25H *4—01A3B26J *5—01A3C26P —01B3E01P
- 01B3F02B 01A2A18B *6—01A3D24D 01B2D03D

COMMENTS

TAG DATE	E.C.NO.	TAG DATE	E.C.NO.	TAG DATE	E.C.NO.	TAG DATE	E.C.NO.
A 12-15-61	113530	B 05-10-62	114144	C 12-10-62	114177		

728751



- #1-01A3B24V
- #2-01A3D24O
- #3-01A3D23N
- #4-01A3B24D
- #5-01A3A22F
- #6-01A3A20P
- #7-01A3B24V
- #8-01A3B24O
- #9-01A3B24D
- #10-01A3B24F
- #11-01A3B24V
- #12-01A3B24C
- #13-01A3A23N
- #14-01A3B24V
- #15-01A3B24C

NOTE: ASTERISK PRECEDING SIGNAL INDICATES DIRECT CAPTURE EXPANSION TO 35.18.51.2
 MOVED WHEN 111 FEATURE ATTACHED.
 NOTE: +U NOT FILE OP #1311 518 NOT PRESENT WITH INOS ATTACHED

TAG DATE	FIG. NO.	TAG DATE	FIG. NO.	TAG DATE	FIG. NO.	TAG DATE	FIG. NO.
A 12-15-61	113730	B 05-03-62	114191	C 12-10-62	115179	D 01-30-63	116191
E 08-04-63	114794						

728752

0720753

B REG INHIBIT CONT SECT 2

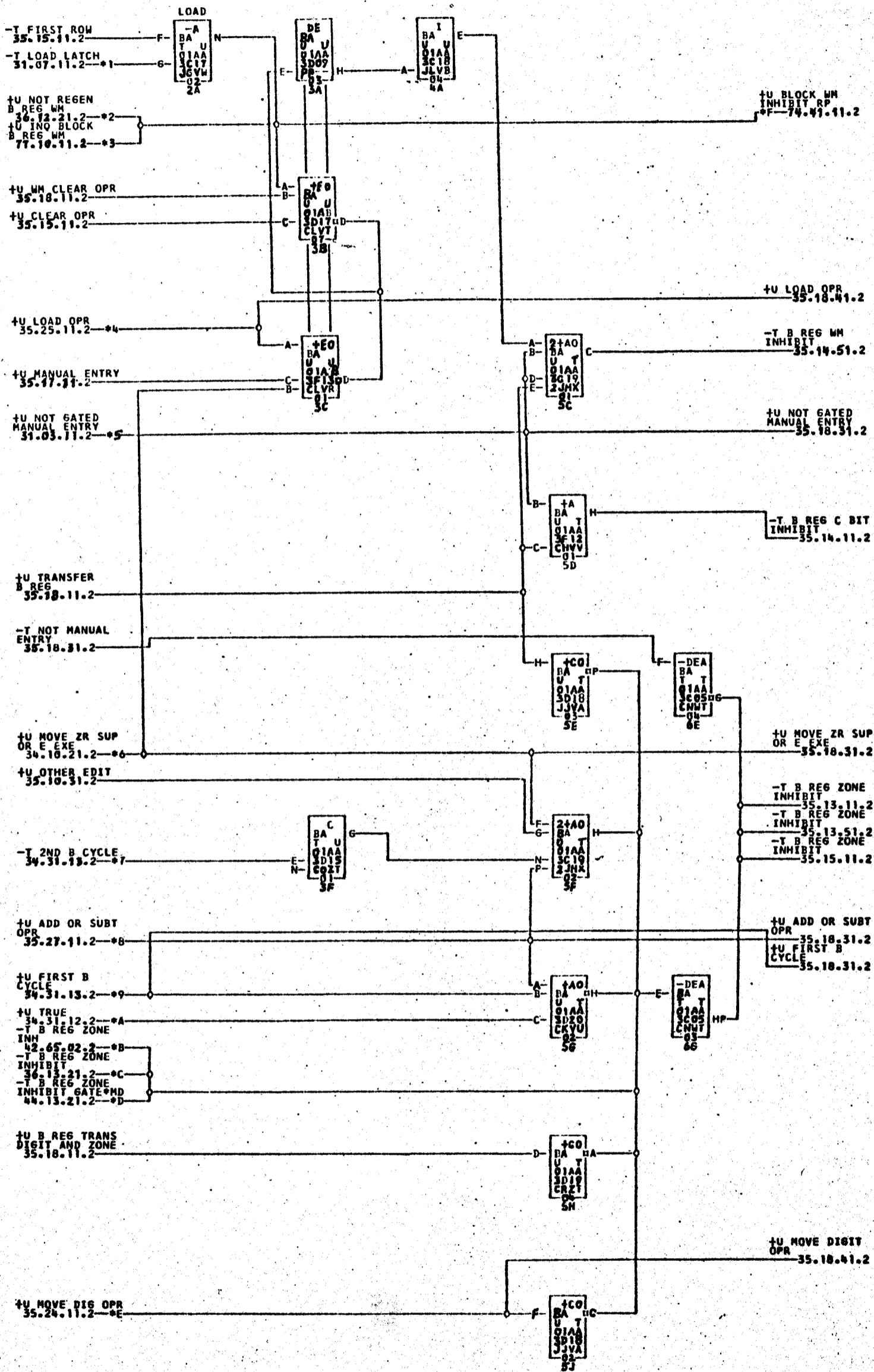
1401 BA

35.18.21.2

TAG DATE

A 5.4.62
TA 1233B

B 5.3.63
TA 1771A



*1-01A3D24G
*2-01A3A26E
*3-01A3C26L
*4-01A3D2AA

*5-01A3D24L
*6-01A3D24H
*7-01A3C26H
*8-01B2D63A

*9-01B2A00V
*10-01A3A26H
*11-01A3C26H
*12-01B2A00H

*13-01B2F050
*14-01A3D24G
*15-01A3A26E
*16-01A3C26L
*17-01A3D2AA

*18-01B2D64K
*19-01A3C26H
*20-01A3E23H
*21-02B1E01M

*22-01A3D25K
*23-01A3B24E
*24-01A3B24M

COMMENTS

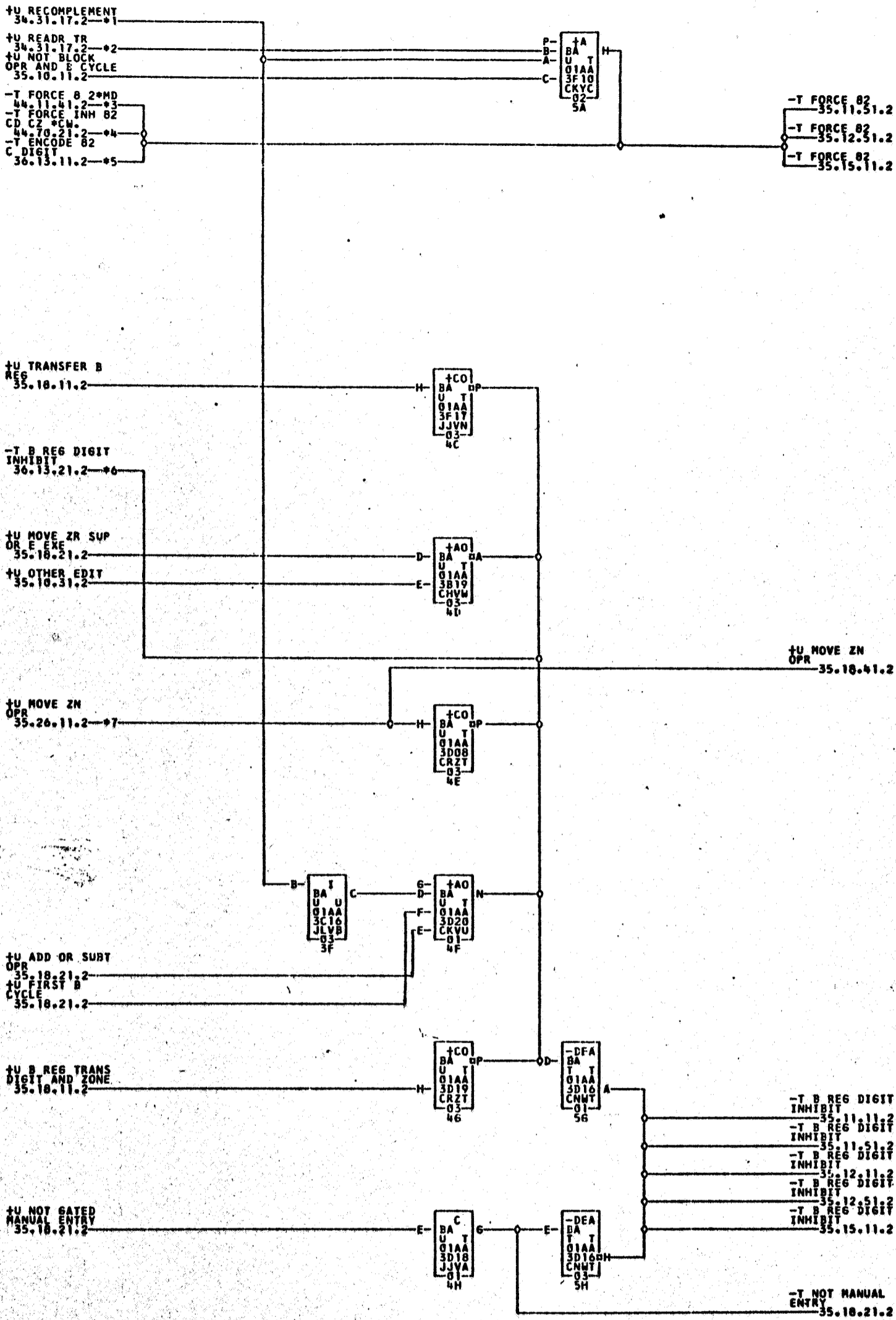
TAG DATE E.C.NO. A 12-15-61 115530

TAG DATE E.C.NO. B 12-16-62 116177

TAG DATE E.C.NO.

TAG DATE E.C.NO.

720753
1771A



#1-01A3C25J
#1-01A3B24H

#2-01A3C25H

#3-01A3E23D

#4-01A3D23R

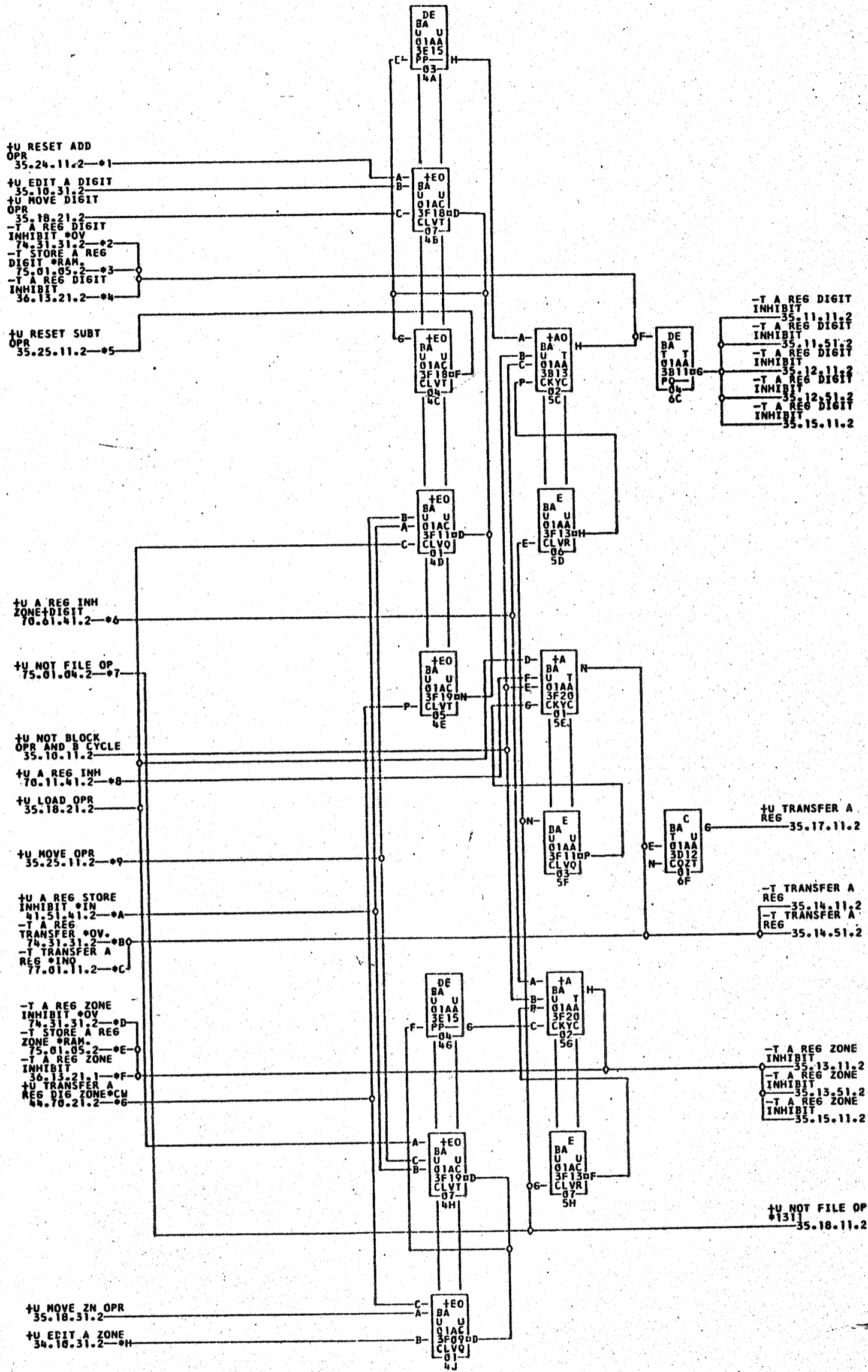
#5-01A3A23K

#6-01A3A23P

COMMENTS

TAG DATE	E.C.NO.	TAG DATE	E.C.NO.	TAG DATE	E.C.NO.	TAG DATE	E.C.NO.
A 12-15-61	113530	B 01-23-62	113630	C 12-10-62	114177		

728754



- *1-01A3B24F *2-01A3A22L *3-01A3E23M ---02A9F11B ---02A8E24C *H-01A3A23B
- *4-01A3B24G *5-01A3D23P *6-01A3E23N ---02A9F15B ---02A8E24E *B-01A3D23M
- *7-01A3A26F *8-01A3A26H *9-01A3E23L *C-01A3E23L *D-01A3A22M *E-01A3E23N
- 02A8C62N ---02A8E24D *F-01A3A23C *G-01A3D23Q *H-01A3B26R

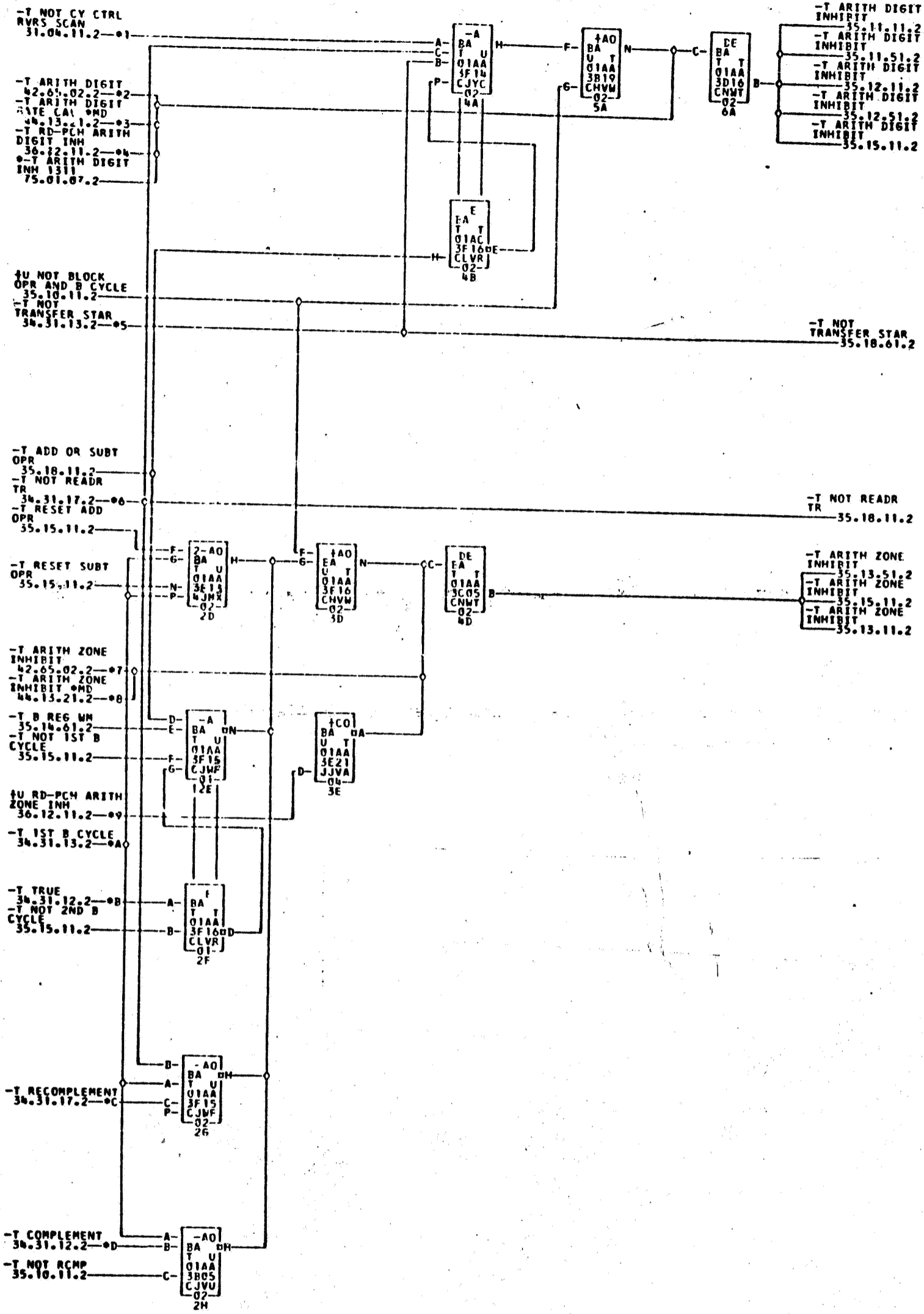
NOTE FILE OP SIG COMMENTS
 TO 35.10.11.2 NOT
 PRESENT WITH 1405 ATTACHED

TAG DATE	E.C.NO.	TAG DATE	E.C.NO.	TAG DATE	E.C.NO.
A 12-15-61	113530	B 07-17-62	114156	C 12-10-62	114177

728755

B 2.7.62
TA 1370A

C 5.3.63
TA 1771A



- *1-01A3D24J *2-01A3F25P ---06B7A08P *3-01A1E23C *4-01A3A23E *5-01A3C25R
- *6-01A3C25N *7-01A3F25N ---06B7A08N *8-01A1E23K *9-01A3A23F *A-01A3C26J
- *B-01A3C26M *C-01A3C25H *D-01A3C25P

COMMENTS
NOTE ASTERISK PRECEDING SIGNAL
INDICATES DIRECT CABLE EXPANSION

TAG DATE	F.C.NO.	TAG DATE	E.C.NO.	TAG DATE	E.C.NO.	TAG DATE	E.C.NO.
A 12-15-61	113530	B 04-04-62	114135	C 12-10-62	114177		

728756

0720757

A REG SET 82C AND ARITH MM LATCH

1401 BA 35.10.61.2

TAG DAT

-T B REG NOT A
35.13.21.2

-T B REG NOT B
35.13.61.2

-T I RING OP
35.10.51.2

4U SET A REG
82C 1111
35.01.08.2

-T TIME 065-075
35.10.51.2

-T I CYCLE
35.10.51.2

-T B REG MM
35.14.51.2

-T NOT RCMP
35.10.11.2

-T B CYCLE
35.10.11.2

-T TIME 015-075
TR2
31.10.11.2-01

-T ARITH OPR
35.27.11.2-02

-T A REG MM
35.14.61.2

-T NOT TRANSFER
STAR
35.18.51.2

-T TIME 090-105
35.17.71.2

4U NOT I CYCLE
35.14.51.2

4U A REG SET
82C

4U A REG SET
82C 35.11.51.2

4U A REG SET
82C 35.12.51.2

4U A REG SET
82C 35.14.11.2

B 12.7.62

TA 1370F

C 5.3.63

TA 1771A

-T ARITH A MM
LATCH
35.10.51.2

*1-01A3B25R

*2-01A3B24A

728757

COMMENTS
NOTE ASTERISK PRECEDING SIGNAL
INDICATES DIRECT CABLE EXPANSION

TAG DATE E.C.NO. TAG DATE E.C.NO. TAG DATE E.C.NO. TAG DATE E.C.NO.
A 12-15-61 113530 B 05-10-62 114144 C 12-10-62 114177

D 01-11-63
TA 1696A

E 10-4-63
TA 1815A

01A2
CONN
BA
01BA
1A01
01-
2A

01B6
CONN
BA
01BA
1A02
01-
3A

NOTE 1
TFC
CONN
OPT
01BA
1A03
01-
4A

MNCA
CONN
BA
01BA
1B01
01-
3B

01A3
CONN
BA
01BA
1B02
01-
3B

MNCA
CONN
BA
01BA
1B03
01-
4B

01B2
CONN
BA
01BA
1C01
01-
2C

OPEN
CONN
01BA
1C02
01-
3C

NOTE 2
TFC
CONN
OPT
01BA
1C03
01-
4C

01B2
CONN
BA
01BA
1D01
01-
2D

01B4
CONN
BA
01BA
1D02
01-
3D

01A5
CONN
BA
01BA
1D03
01-
4D

01B3
CONN
BA
01BA
1E01
01-
2E

01B3
CONN
BA
01BA
1E02
01-
3E

01A6
CONN
BA
01BA
1E03
01-
4E

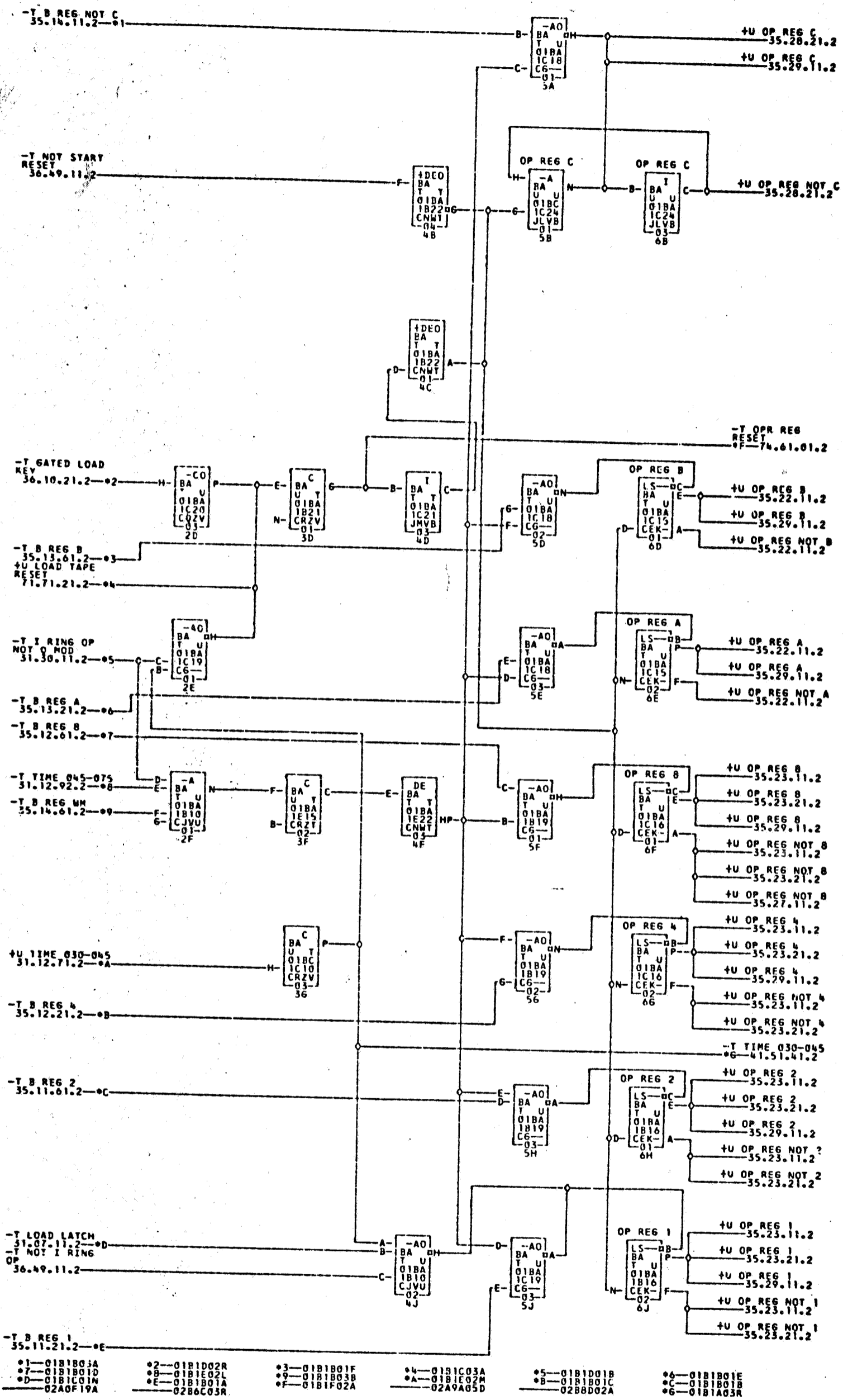
01B5
CONN
BA
01BA
1F01
01-
2F

NOTE 3
TFC
CONN
CF
01BA
1F02
01-
3F

01A5
CONN
DS
01BA
1F03
01-
4F

NOTE	COMMENTS	TAG DATE	F.C. NO.	TAG DATE	F.C. NO.	TAG DATE	F.C. NO.	TAG DATE	F.C. NO.
NOTE 1	CABLE NECESSARY IF EITHER ADV PROG FILE OVER I-O OR INC IS PRESENT	A 02-22-62	114126A	B 06-05-62	114132A	C 01-26-62	116078	D 10-17-62	116360
NOTE 2	THIS CABLE NECESSARY IF EITHER TAPE I-O OR PROG OVER IS PRESENT	E 01-14-63	116789						
NOTE 3	CABLE NECESSARY IF CARD 116078 OR SEE TAPY LISTEN IS PRESENT								

728758



- *1-01B1B03A
- *2-01B1D02R
- *3-01B1B01F
- *4-01B1C03A
- *5-01B1D01B
- *6-01B1B01E
- *7-01B1B01D
- *8-01B1E02L
- *9-01B1B03B
- *A-01B1E02M
- *B-01B1B01C
- *C-01B1B01B
- *D-01B1C01N
- *E-01B1B01A
- *F-01B1F02A
- *G-02A9A05D
- *H-02B8D02A
- *I-02A0F19A
- *J-02B6C03R

COMMENTS

TAG DATE E.C.NO. TAG DATE E.C.NO. TAG DATE E.C.NO. TAG DATE E.C.NO.

A 12-04-61 112269C B 06-05-62 114132A C 01-14-63 116789

724610

0724611

OP REG ZONE DECODE

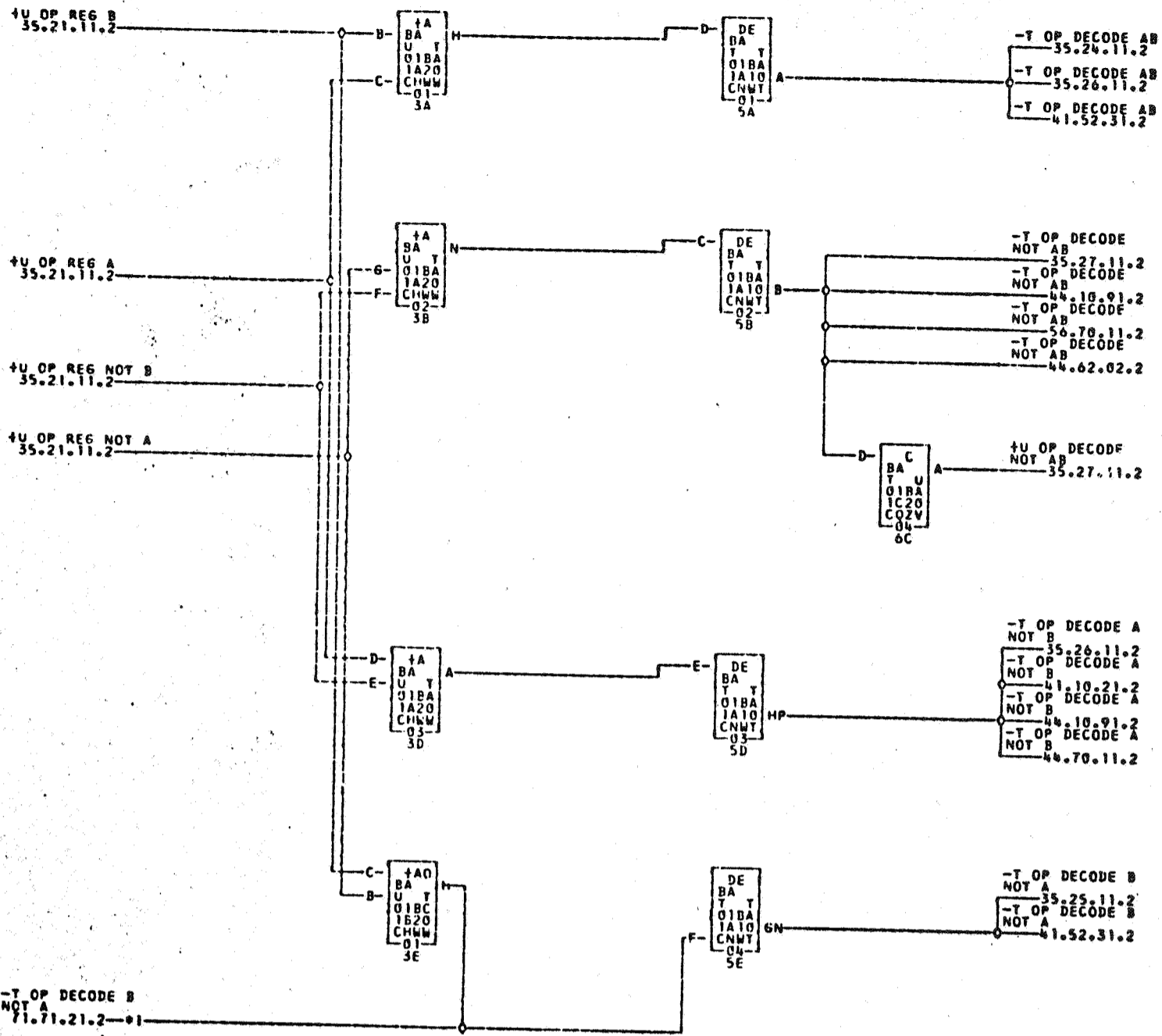
1401 BA

35.22.11.2

TAG DATE

B 26.9.62
TA 1344D

C 16.4.63
TA 1815A



01-01B1C03D

COMMENTS

TAG DATE	E.C.NO.	TAG DATE	E.C.NO.	TAG DATE	E.C.NO.	TAG DATE	E.C.NO.
A 12-04-61	112269C	B 06-05-62	114132A	C 01-14-63	116789		

724511

0724612

OP REGISTER UNITS DECODE 1

1401 BA 35.23.11.2

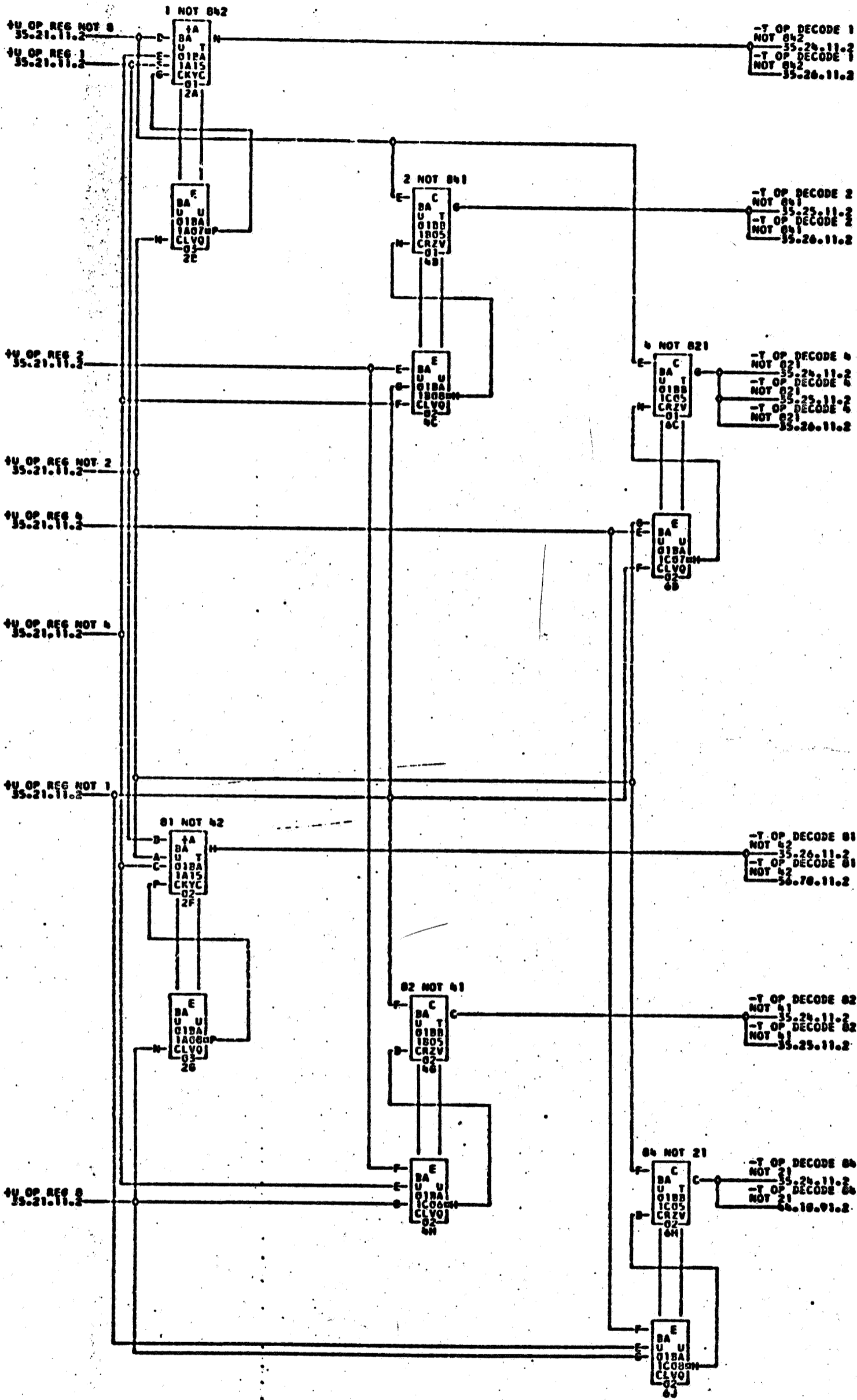
TAG DATE

A 28.5.62

TA 1344

B 16.4.63

TA 1815A



COMMENTS

TAG DATE	E.C.NO.	TAG DATE	E.C.NO.	TAG DATE	E.C.NO.	TAG DATE	E.C.NO.
A 12-24-61	113260C	B 01-14-63	116780				

724612
1845.4

0724613

OP REGISTER UNITS DECODE 2

1401 BA

35.23.21.2

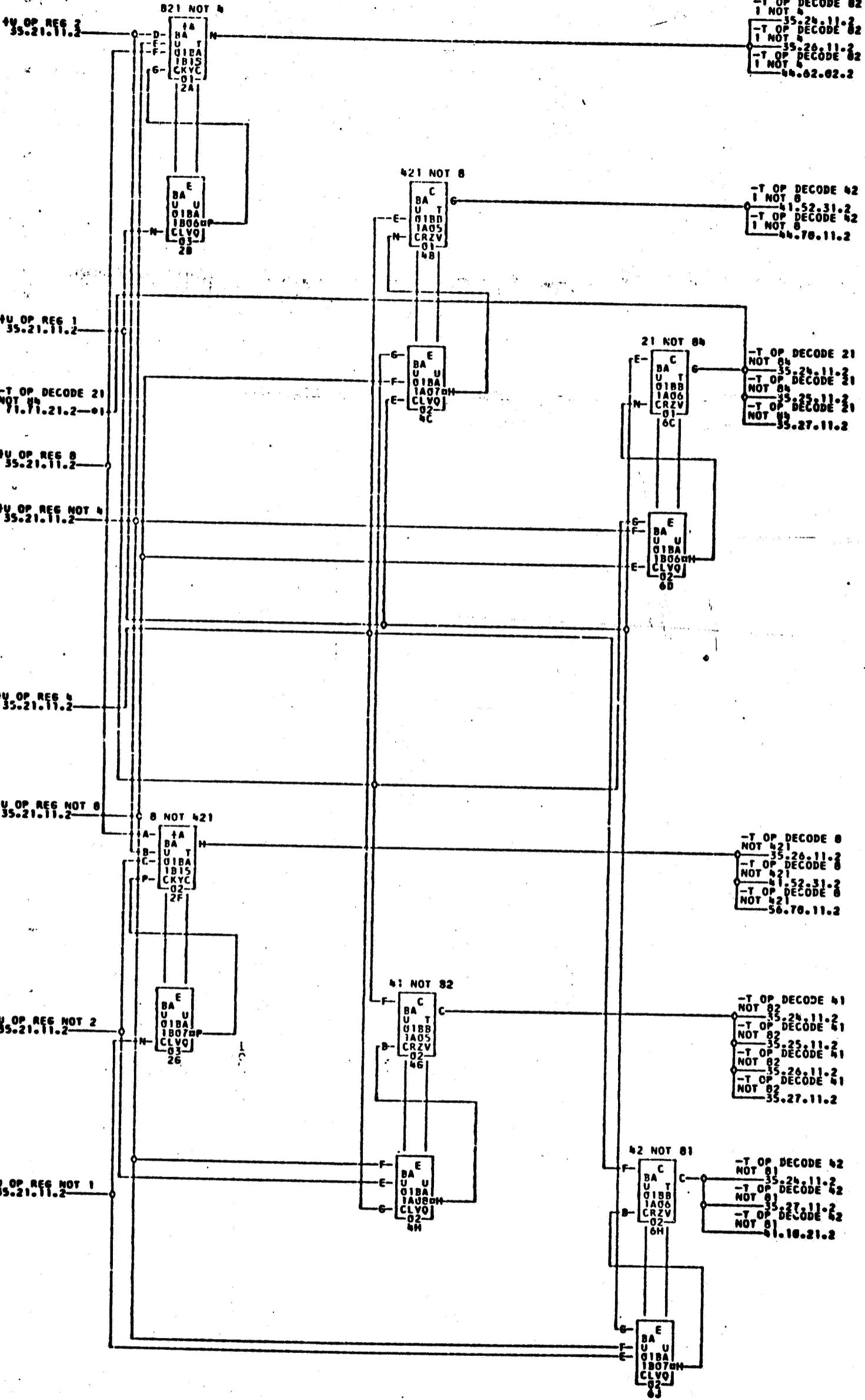
TAG DATE

A 28.5.62

TA 1344

B 16.4.63

TA 1815A

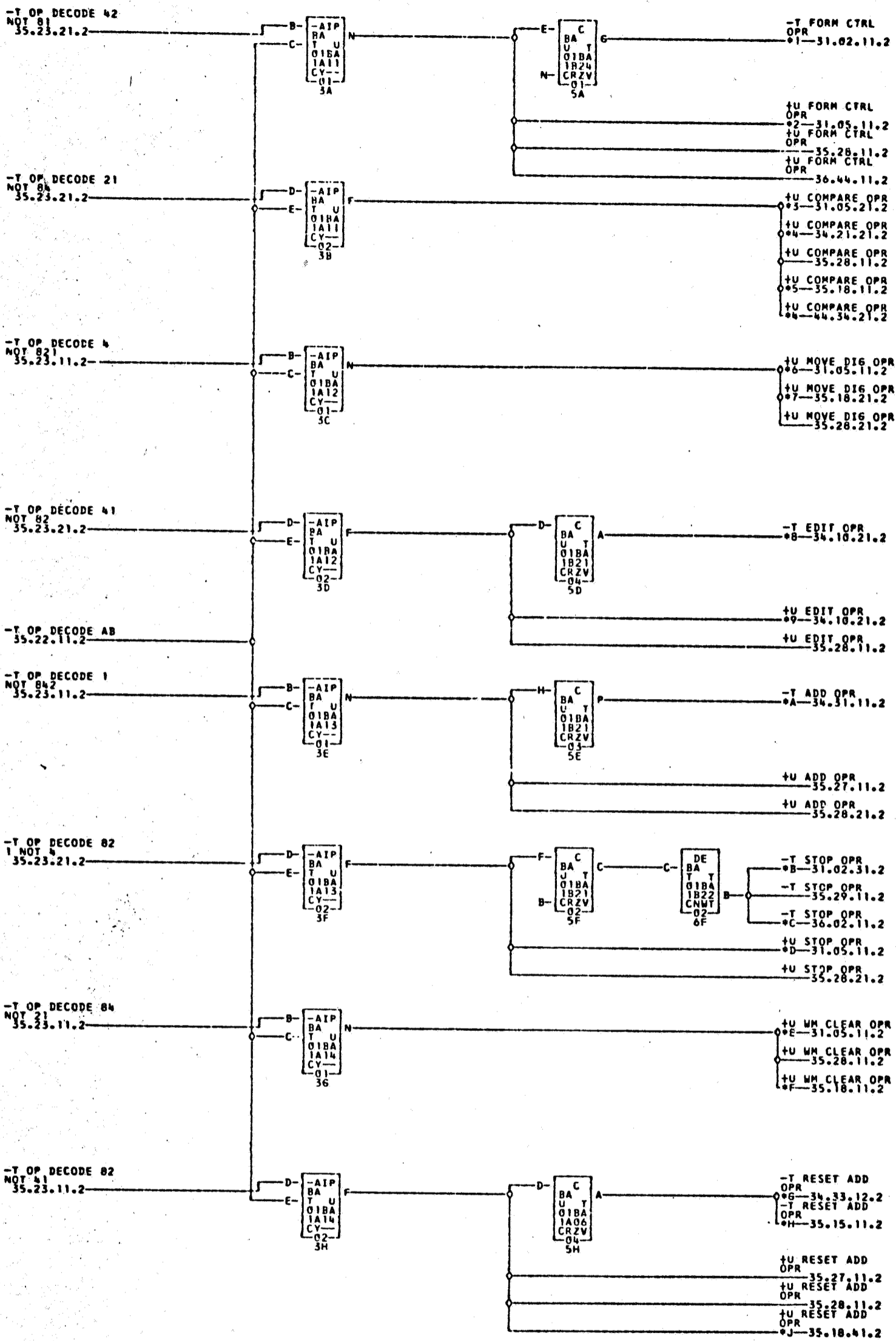


01-0181C03B

COMMENTS

TAG DATE	E.C.NO.	TAG DATE	E.C.NO.	TAG DATE	E.C.NO.	TAG DATE	E.C.NO.
A 12-04-61	112269C	B 01-14-63	113789				

724613
1815A



- *1-01B1D01L
- *4-01B1A02A
- *5-01B1C01F
- *8-01B1A02B
- *9-01B1D02J
- *F-01B1B02J
- *J-01B1B02F
- 01B2C02L
- 01B6D01A
- 01B2B02F
- 01B6D01B
- 01B4D03J
- 01A3B24J
- 01A3B24F

- *2-01B1D01M
- 02A9D01D
- *7-01B1B02M
- *A-01B1E02A
- *D-01B1C01G
- *6-01B1E02C
- 01B2C02M
- 02A8B25D
- 01A3B24M
- 01B3D02A
- 01B2B02G
- 01B3D02C

- *3-01B1C01E
- *5-01B1B02K
- *8-01B1A02N
- *B-01B1C01P
- *E-01B1D01E
- *H-01B1B02L
- 01B2B02E
- 01A3B24K
- 01B6D01N
- 01B2B02P
- 01B2C02E
- 01A3B24L

COMMENTS

TAG DATE E.C.NO. TAG DATE E.C.NO. TAG DATE E.C.NO. TAG DATE E.C.NO.

A 12-04-61 112269C B 01-14-63 116789

724614

0724615

OPERATION CODES B NOT A ZONE

1401 BA 35.25.11.2

TAG DATE

C 7.2.63
TA 1785A

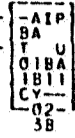
D 16.4.63
TA 1815A

-T OP DECODE 2
NOT 84
35.23.11.2



+U STACK SEL
OPR
*1-31.05.11.2
+U STACK SEL
OPR
*2-35.28.11.2
+U STACK SEL
OPR
*3-36.50.11.2
+U STACK SEL
OPR
*4-73.11.71.2
+U STACK SEL
OPR
*1-74.21.01.2

-T OP DECODE 21
NOT 84
35.23.21.2



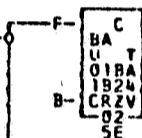
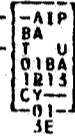
+U LOAD OPR
*4-31.05.21.2
+U LOAD OPR
*4-32.33.21.2
+U LOAD OPR
*4-35.28.21.2
+U LOAD OPR
*4-35.30.31.2
+U LOAD OPR
*4-35.18.21.2
+U LOAD OPR
*5-70.01.31.2
+U LOAD OP
MOD D
*6-77.40.41.2
+U LOAD OPR
*7-75.01.04.2

-T OP DECODE 4
NOT 821
35.23.11.2
-T OP DECODE B
NOT A
35.22.11.2



+U MOVE OPR
*8-32.33.21.2
+U MOVE OPR
*8-35.28.11.2
+U MOVE OPR
*8-35.18.41.2
+U MOVE OPR
*9-44.70.21.2
+U MOVE OPR
*9-75.01.02.2
+U MOVE OPR
*9-77.01.02.2
+U MOVE OP
MOD D
*A-77.40.11.2
+U MOVE OPR
*B-41.11.41.2
+U MOVE OPR
*B-31.05.21.2
+U MOVE OP
*9-73.12.11.2

-T OP DECODE 82
NOT 41
35.23.11.2



-T RESET SUBT
OPR
*B-35.15.11.2
-T RESET SUBT
OPR
*C-34.33.12.2

-T OP DECODE 41
NOT 82
35.23.21.2



+U RESET SUBT
OPR
35.27.11.2
+U RESET SUBT
OPR
35.28.21.2
+U RESET SUBT
OPR
*D-35.18.41.2
+U NO OPR
*E-70.11.21.2
+U NO OPR
*F-31.05.11.2
+U NO OPR
35.28.21.2

*1-01B1C01H
*3-01B1C03E
*7-01B1A03H
*01A3A26F
*02A2D256
*01B0A00W
*01A3B246

01B2B02M
*02A0E17B
*01R1B036
*02A0F03A
*02A0B17E
*02A0F23A
*B-01B1B020
*E-01B1C03J

01B2D05R
*02A2C23E
*02A9J02H
*02A0F23B
*02B0E03R
*A-01B1B03F
*01A3B24Q
*02A2C23J

*02R1C03R
*4-01B1B03G
*01B7D04M
*0-01B1B03F
*9-01B1A03A
*02A9J02A
*C-01B1E02D
*02A0F05B

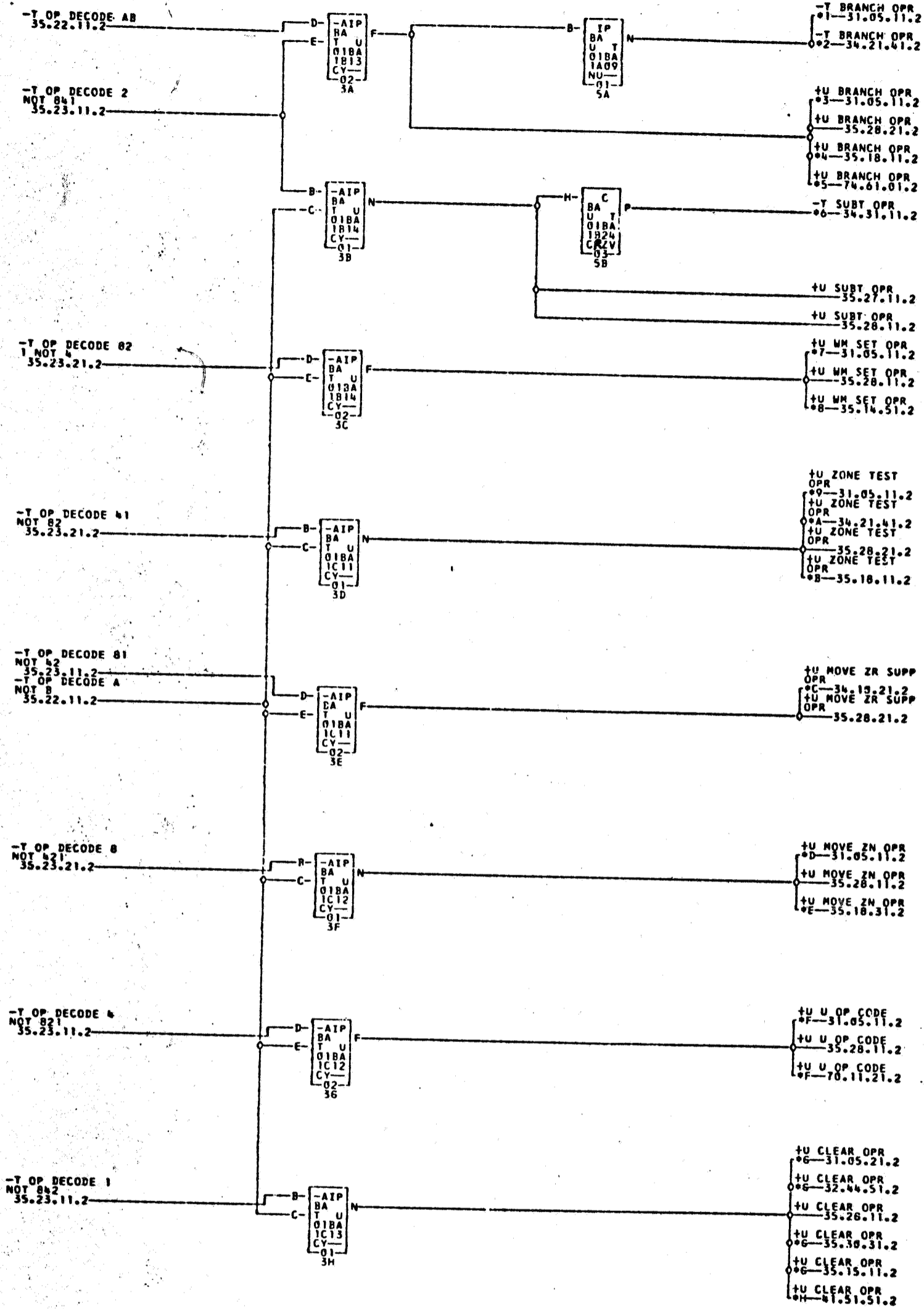
*2-01B1D02F
*5-01B1C03C
*01B7D03F
*01A7A26K
*02A0E09A
*01B7D04L
*01B3D02D
*F-01B1D01K

01B4D03F
*02A0E13B
*01B8A00W
*01B2E02B
*02B0C03A
*01B7D03E
*D-01B1B026
*01B2C02K

COMMENTS

TAG DATE S.C.NO. TAG DATE E.C.NO. TAG DATE E.C.NO. TAG DATE E.C.NO.
A 12-04-61 112269C B 08-09-62 116231 C 12-12-62 116770 D 01-14-63 116789

724615



A 28.5.62
TA 1344
B 16.4.63
TA 1815A

- | | | | | | |
|-------------|-------------|-------------|----------|-------------|-------------|
| *1-01B1C01L | 01B2B02L | *2-01B1A02E | 01B6D01E | *3-01B1D01F | 01B2C02F |
| *4-01B1B02B | 01A3B24B | *5-01B1F02F | 02A9A15D | 02B8D02F | *6-01B1E02F |
| 01B3D02F | *7-01B1C01A | *8-01B1B02H | 01A3B24H | *9-01B1D01C | 01B6D01F |
| 01B2C02C | *A-01B1A02P | *B-01B1B02C | 01A3B24C | *C-01B1A02F | 01B6D01F |
| *D-01B1C01M | 01B2B02M | *E-01B1B02N | 01A3B24N | *F-01B1C03G | 02A0C15F |
| 02A2C23G | 02A2C24A | 02A0C15F | 01B2C01A | *G-01B1B03H | *H-01B1A03F |
| 02A0E19A | 02B6C03F | | | | |

COMMENTS

TAG DATE E.C.NO. TAG DATE E.C.NO. TAG DATE E.C.NO. TAG DATE E.C.NO.
 A 12-04-61 112269C B 01-14-63 116789

724616

-T OP REF 1
35.20.11.2

+U OP REF NOT 8
35.21.11.2
+U OP DECODE
NOT AB
35.22.11.2

-T OP REF 2
35.20.11.2

-T OP REF 3
35.20.11.2

-T OP DECODE 21
NOT AB
35.23.21.2

-T OP DECODE
NOT AB
35.22.11.2

-T OP DECODE 41
NOT AB
35.23.21.2

-T OP DECODE 42
NOT AB
35.23.21.2

+U ADD OPR
35.24.11.2

+U SUBT OPR
35.24.11.2

+U RESET ADD
OPR
35.24.11.2

+U RESET SUBT
OPR
35.25.11.2

-T READ OPR
35.01.21.2

-T READ OPR
35.01.21.2

-T READ OPR
35.15.11.2

+U READ OPR
35.20.21.2

+U READ OPR
35.01.21.2

+U READ OPR
35.11.21.2

+U READ OPR
35.21.21.2

-T PRINT OPR
35.02.21.2

-T PRINT OPR
35.31.21.2

-T PRINT OPR
35.11.21.2

-T PRINT OPR
35.31.21.2

+U PRINT OPR
35.08.11.2

+U PRINT OPR
35.28.21.2

-T PUNCH OPR
35.09.21.2

-T PUNCH OPR
35.15.11.2

+U PUNCH OPR
35.28.21.2

+U PUNCH OPR
35.01.21.2

+U PUNCH OPR
35.11.21.2

+U PUNCH OPR
35.31.21.2

+U PUNCH OPR
35.15.11.2

+U PUNCH OPR
35.15.11.2

+U OPR 31514
35.28.11.2

-T ADD OR SUBT
OPR
35.31.13.2

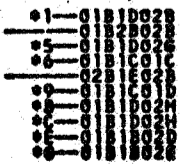
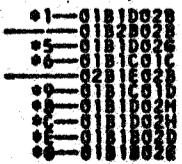
-T ADD OR SUBT
OPR
35.18.11.2

-T ADD OR SUBT
OPR
35.22.20.2

+U ADD OR SUBT
OPR
35.18.21.2

-T ARITH OPR
35.31.13.2

-T ARITH OPR
35.18.11.2



COMMENTS

TAG DATE 12-04-61 1122202 TAG DATE 06-05-62 1161321 TAG DATE 07-26-62 1152278 TAG DATE 01-14-63 1161280

1815 A 7 724617

0724618

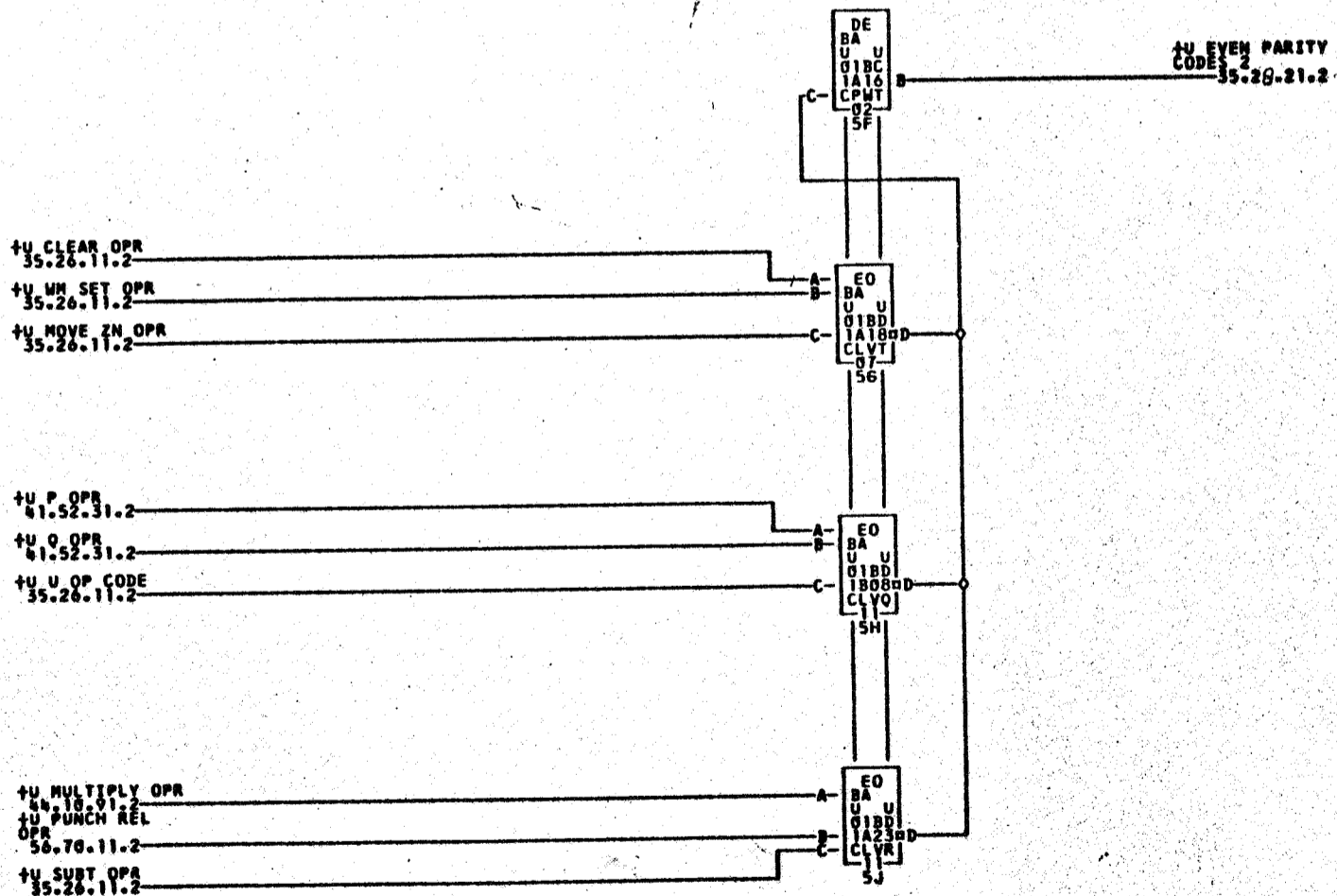
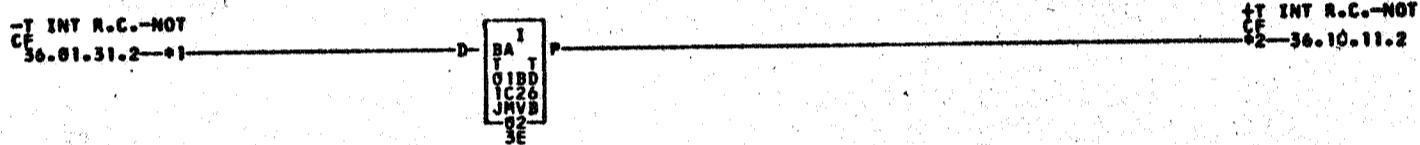
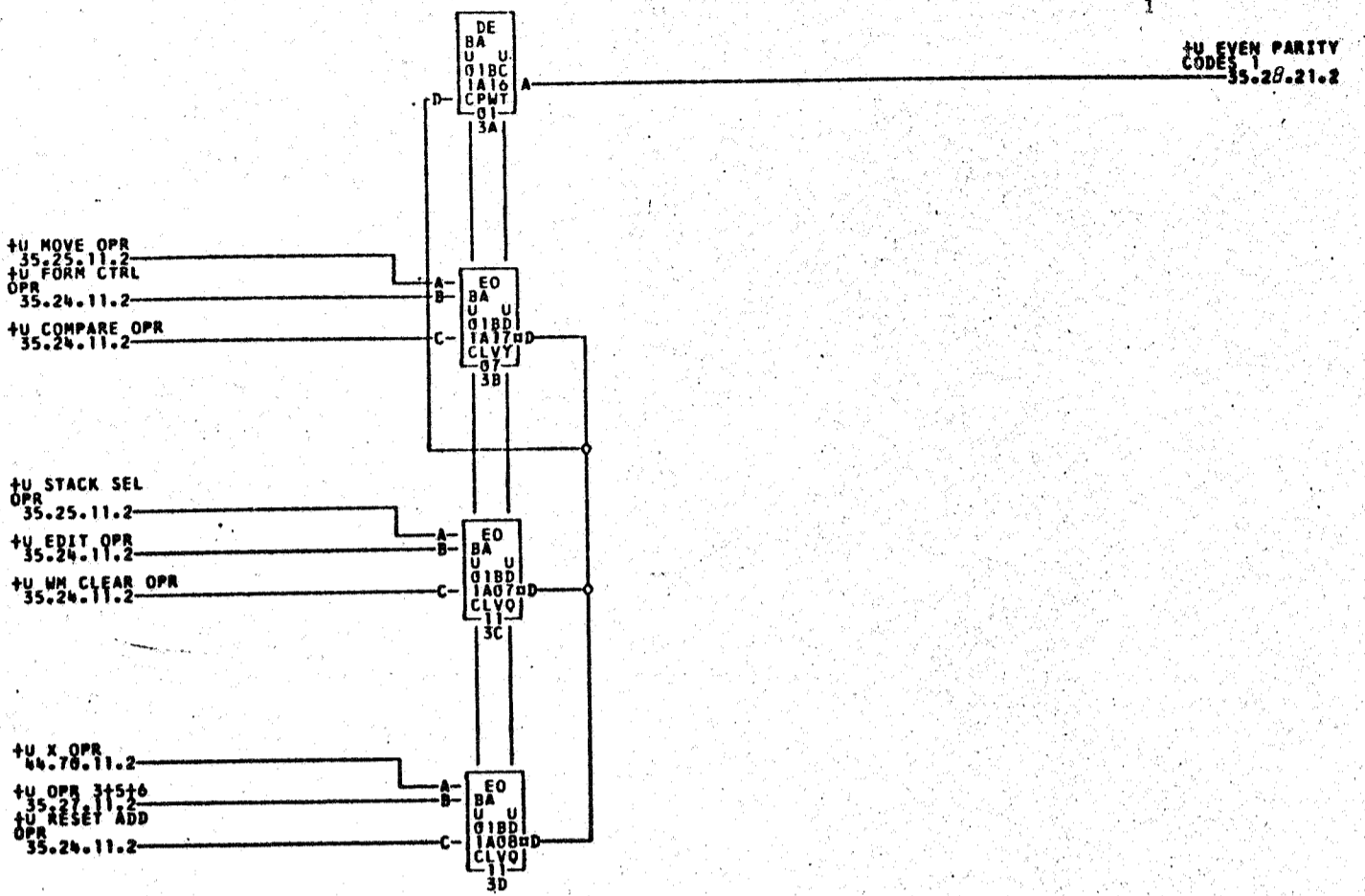
EVEN PARITY OPERATIONS CHECK

35.20.11.2

TAG DATE

C 16.4.63
TA 185A

D 18.6.63
TA 1859



01-01B1D02P 02-01B1D02Q 01B1D03Q

724618

0724619

ODD PARITY OPERATIONS CHECK

1401 BA

35-28-21-2

TAG DATE

B 28.9.62

TA 1344D

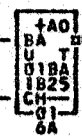
C 16.4.63

TA 1815A

+U EVEN PARITY
CODES 1
35.28.11.2

+U OP REG C
35.21.11.2

+U EVEN PARITY
CODES 2
35.28.11.2



-T OPERATION
CODES
35.28.31.2



+U OP REG NOT C
35.21.11.2

+U STOP OPR
35.24.11.2

+U MOVE DIG OPR
35.24.11.2

+U LOAD OPR
35.25.11.2



+U READ OPR
35.27.11.2

+U PRINT OPR
35.27.11.2

+U PUNCH OPR
35.27.11.2



+U ADDRESS MOD
OPR
44.62.02.2

+U ADD OPR
35.24.11.2

+U * OPR
41.52.31.2

+U DIVIDE OPR
44.18.01.2

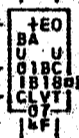
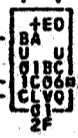
+U MOVE ZR SUPP
OPR
35.26.11.2

+U NO OPR
35.25.11.2

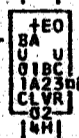
+U BRANCH OPR
35.26.11.2

+U ZONE TEST
OPR
35.26.11.2

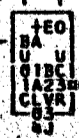
+U RESET SUBT
OPR
35.25.11.2



+U BIT TEST OPR
41.18.21.2



+U FEED REL OPR
54.78.11.2



CARD 423 IS USED ONLY WITH FP ND ON CH OR BY OPTIONS

COMMENTS TAG DATE FIG NO TAG DATE FIG NO TAG DATE FIG NO TAG DATE FIG NO
A 12-01-61 112200C B 06-05-62 114132A C 01-10-63 116180V

1815 A

724619

0724620

OPERATIONS CHECK LATCH

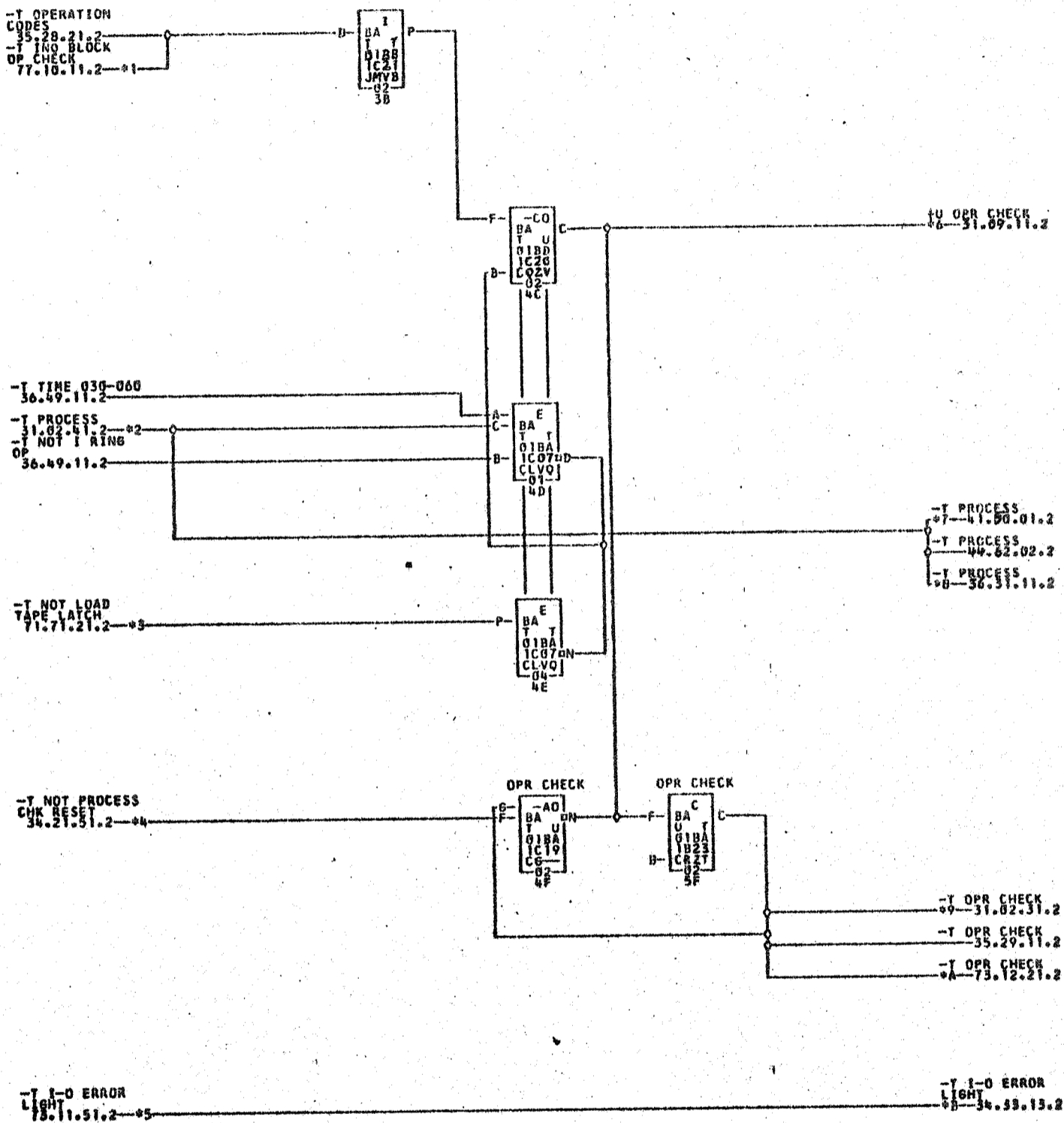
1401 BA

35.28.31.2

TAC DATE

D 16.4.63
TA 1615A

E 28.2.63
TA 1017A



- *1-018A00D
- *2-0142A23D
- *3-01A2A08H
- *4-0181A01H
- *5-0181C010
- *6-0181C010
- *7-0181A03K
- *8-02A0F07A
- *9-02B0C03K
- *A-0181B010
- *B-0181B010
- *C-0181C010
- *D-0181C010
- *E-0181E039
- *F-01A0D280
- *G-0181D010
- *H-0181D010
- *I-0181E02E
- *J-0181E02E
- *K-0181E02E
- *L-0181E02E
- *M-0181E02E
- *N-0181E02E
- *O-0181E02E
- *P-0181E02E
- *Q-0181E02E
- *R-0181E02E
- *S-0181E02E
- *T-0181E02E
- *U-0181E02E
- *V-0181E02E
- *W-0181E02E
- *X-0181E02E
- *Y-0181E02E
- *Z-0181E02E

COMMENTS TAG DATE E.C.NO. TAG DATE E.C.NO. TAG DATE E.C.NO. TAG DATE E.C.NO.
 A 12-04-61 112269C B 06-05-62 114132A C 10-25-62 116727 D 01-14-63 116789
 E 05-21-63 117951

724620 1917A

0724621

OPR REG DISPLAY DRIVE

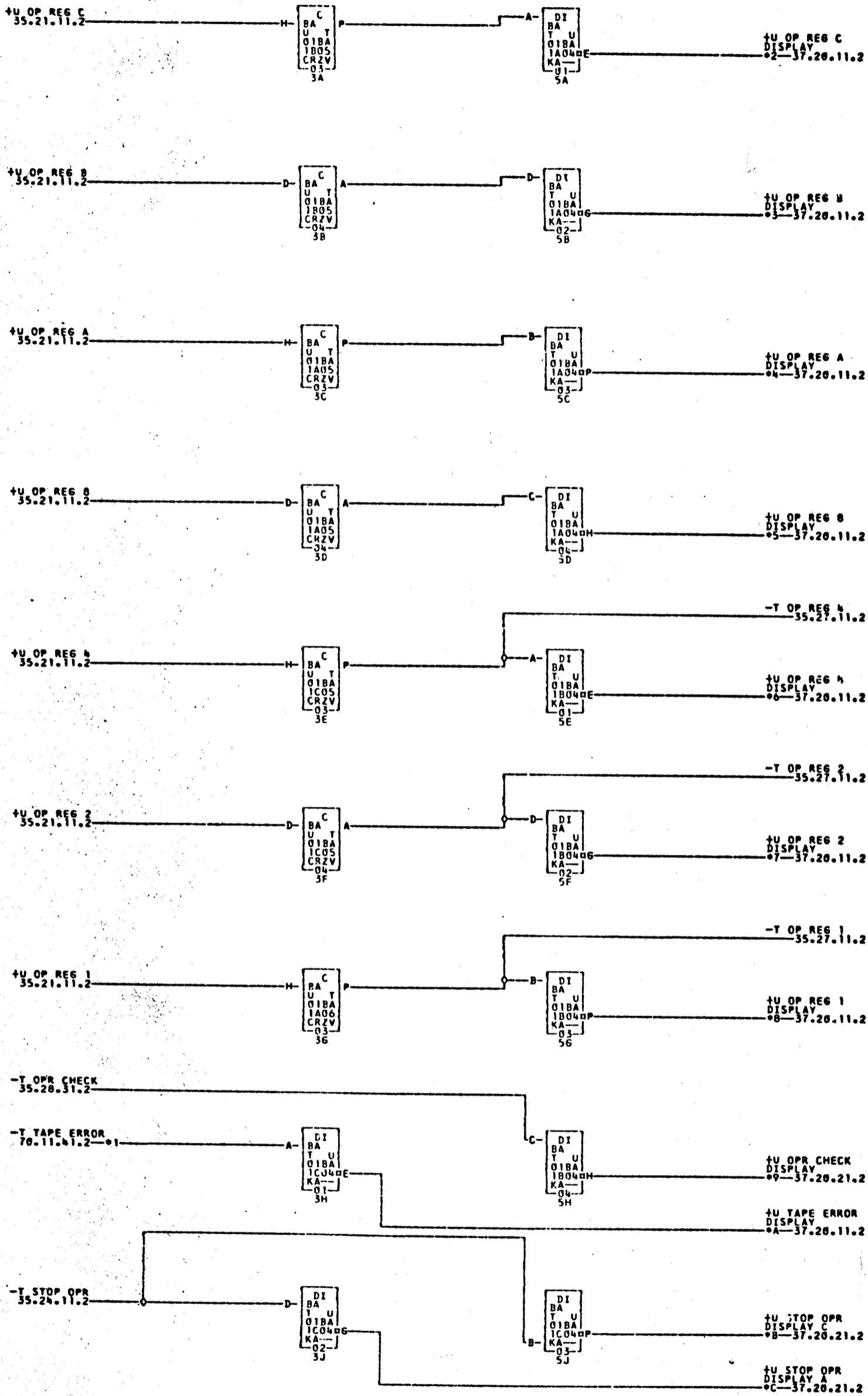
1401 BA

35.29.11.2

TAG DATE

A 28.5.62
TA 1344

B 16.4.63
TA 1815A



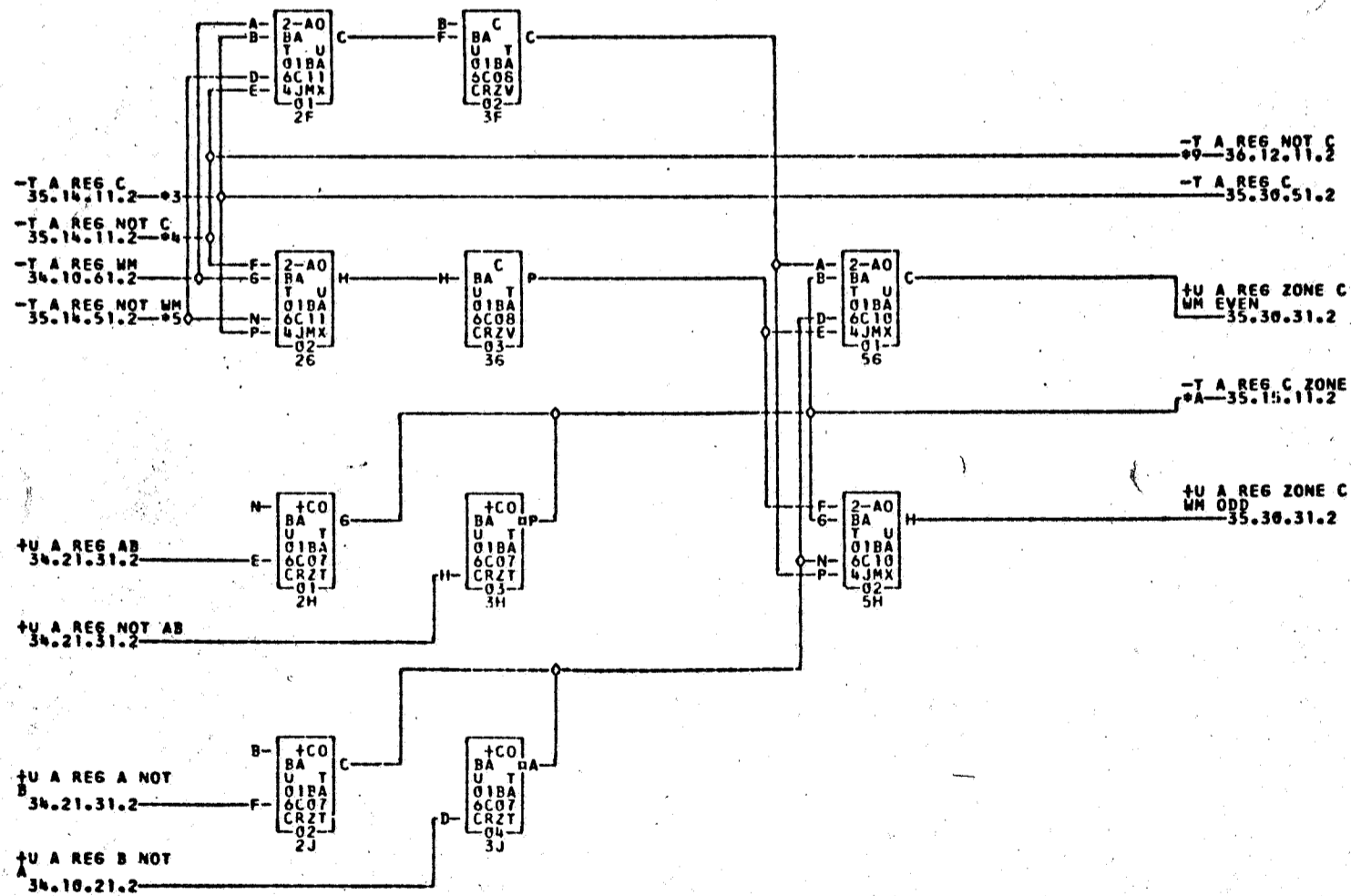
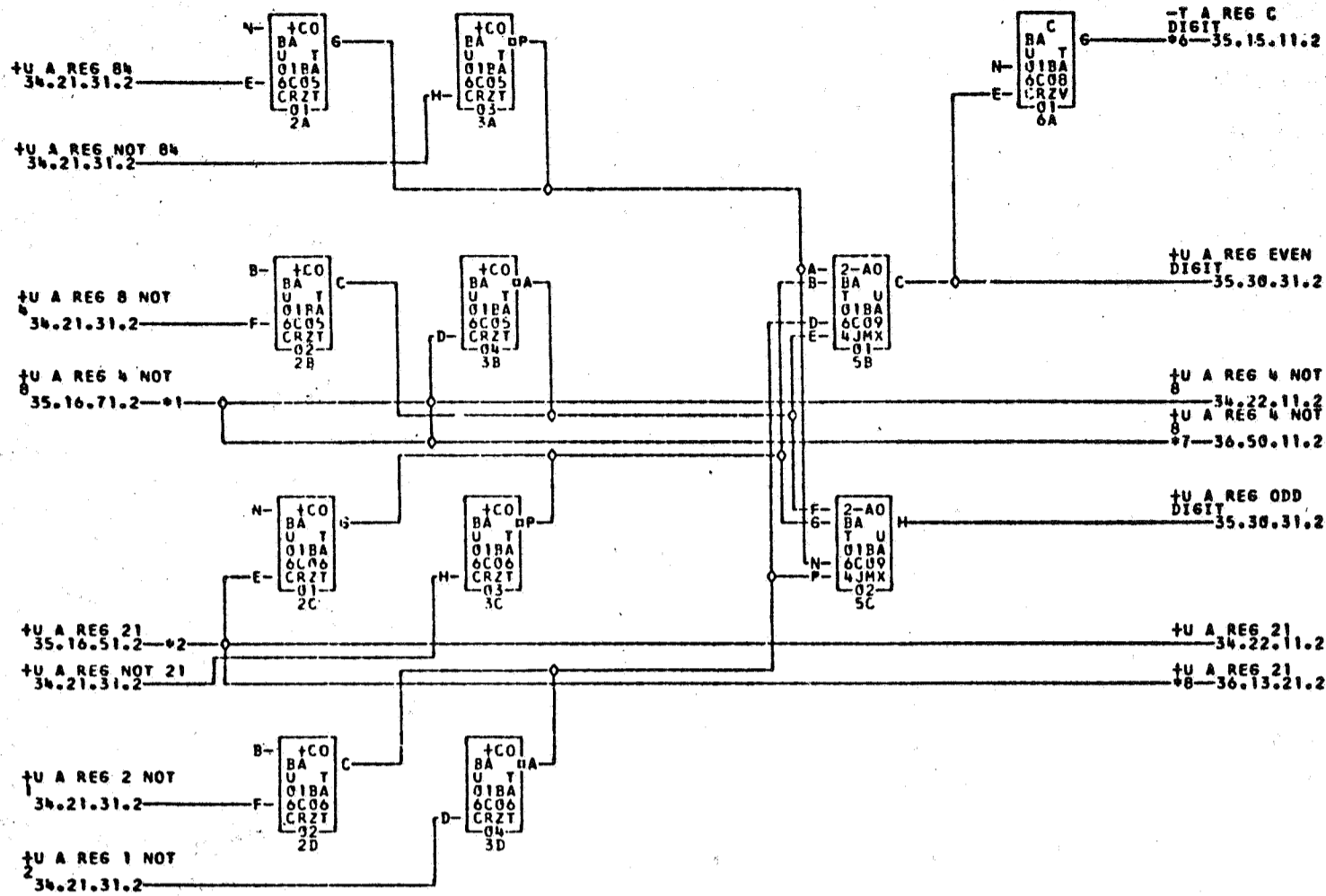
- *1—01B1C3P *2—01B1A016 *3—01B1A01F *4—01B1A01E *5—01B1A01D *6—01B1A01C
- *7—01B1A01B *8—01B1A01A *9—01B1A01H *A—01B1A01R *B—01B1A01K *C—01B1A01J

COMMENTS

TAG DATE	E.C.NO.	TAG DATE	E.C.NO.	TAG DATE	E.C.NO.	TAG DATE	E.C.NO.
A 12-04-61	112269C	B 01-14-63	116789				

724621

A 5.4.62
TA 1233B
B 5.3.63
TA 1771A



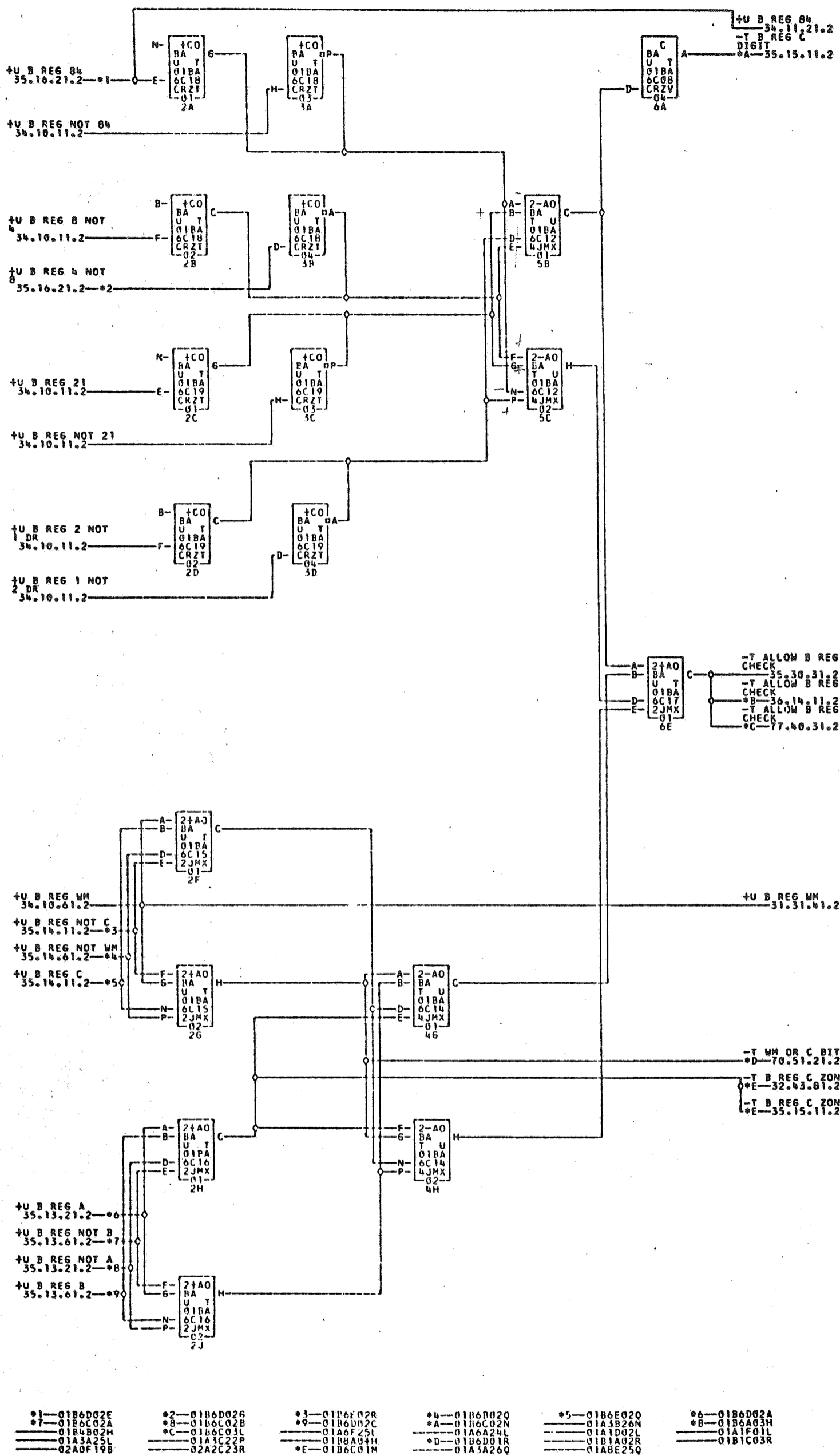
- *1—01B6B026 *2—01B6B02J *3—01B6B02P *4—01B6B02N *5—01B6C02M *6—01B6C02P
- 01A3E24P *7—01B6A036 01B4B026 *8—01B6A03C 01B4B02C *9—01B6E036
- 01B4E036 *A—01B6C02C

COMMENTS

TAG DATE	E.C.NO.	TAG DATE	E.C.NO.	TAG DATE	E.C.NO.	TAG DATE	E.C.NO.
A 12-18-61	113530	B 12-11-62	114178				

729189

B 2.7.62
TA 1370F
C 5.3.63
TA 1771A



- *1-01B6D02E *2-01B6D026 *3-01B6E02R *4-01B6R020 *5-01B6E020 *6-01B6D02A
- *7-01B6C02A *8-01B6C02B *9-01B6D02C *A-01B6C02N 01A3B26N *B-01B6A03H
- 01B4B02H *C-01B6C03L 01A6F25L 01A6A24L 01A1D02L 01A1F01L
- 01A3A25L 01A1C22P 01B8A01H *D-01B6D01R 01B1A02R 01B1C03R
- 02A0F19B 02A2C23R *E-01B6C01M 01A3A26Q 01A8E25Q

COMMENTS

TAG DATE	E.C.NO.	TAG DATE	E.C.NO.	TAG DATE	E.C.NO.	TAG DATE	E.C.NO.
A 12-18-61	113530	B 05-01-62	114138	C 12-11-62	114178		

729190

0729191

A AND B REGISTER CHECK LATCHES

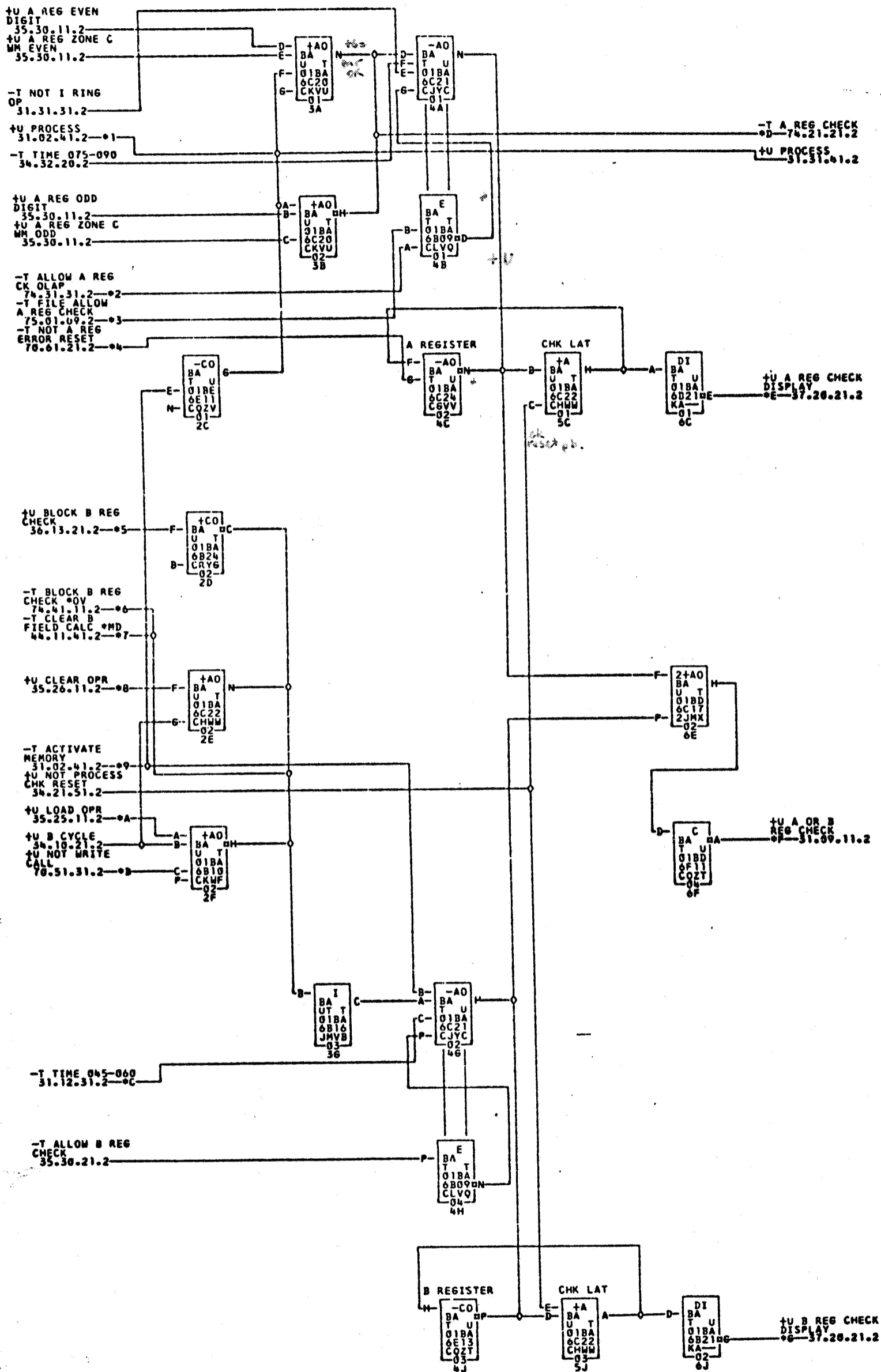
1401 BA

35.30.31.2

TAG DATE

E 5.3.63
TA 1771A

F 16.4.63
TA 1815 A



- *1-01B6E01E *2-01B6F02H *3-01B6C01A *4-01B6E010 *5-01B6A03F *6-01B6F02F
- *7-01B6F010 *8-01B6C01R *9-01B6E01D *A-01B6C01G *B-01B6D010 *C-01B6C01F
- *D-01B6F02E *E-02A0F09D *F-02B1D020 *G-01B6A02K *H-01A2A04K *I-01B6B010
- *J-01B2E010

COMMENTS

TAG DATE	E.C.NO.	TAG DATE	E.C.NO.	TAG DATE	E.C.NO.	TAG DATE	E.C.NO.
A 12-18-61	113530	B 01-23-62	113630	C 05-01-62	114138	D 11-19-62	114166
E 12-11-62	114178	F 01-30-63	114182				

729191

0729192

B REGISTER DIST. AND IND DISPLAY

1401 BA 35.30.41.2

TAG DATE

+U B LESS THAN
A DISPLAY #HLE
44.34.21.2-#1

+U B LESS THAN
A DISPLAY
#B-37.20.21.2

A 5.4.62
TA 1233B

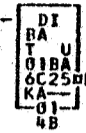
+U B GREATER
THAN A DISPLAY
44.34.21.2-#2

+U B GREATER
THAN A DISPLAY
#C-37.20.21.2

B 5.3.63
TA 1771A

-T B REG 1
35.11.21.2-#3

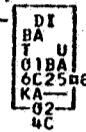
-T B REG 1
41.10.11.2
-T B REG 1
34.21.11.2



+U B REG 1
DISPLAY
#D-37.20.11.2

-T B REG 2
35.11.61.2-#4

-T B REG 2
41.10.11.2
-T B REG 2
34.21.11.2



+U B REG 2
DISPLAY
#E-37.20.11.2

-T B REG 4
35.12.21.2-#5

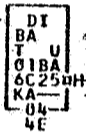
-T B REG 4
41.10.11.2
-T B REG 4
34.21.11.2



+U B REG 4
DISPLAY
#F-37.20.11.2

-T B REG 8
35.12.41.2-#6

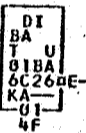
-T B REG 8
41.10.11.2
-T B REG 8
34.21.11.2



+U B REG 8
DISPLAY
#G-37.20.11.2

-T B REG A
35.13.21.2-#7

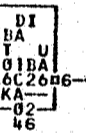
-T B REG A
41.10.11.2
-T B REG A
34.21.11.2



+U B REG A
DISPLAY
#H-37.20.11.2

-T B REG B
35.13.61.2-#8

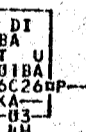
-T B REG B
41.10.11.2
-T B REG B
34.21.11.2



+U B REG B
DISPLAY
#J-37.20.11.2

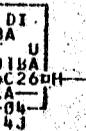
-T B REG C
35.14.11.2-#9

+U B REG C BIT
DISPLAY
#K-37.20.11.2



-T B REG WH
35.14.61.2-#A

-T B REG WH
34.10.61.2



+U B REG WH
DISPLAY
#L-37.20.11.2

- *1-01B6F030
- *2-01B6F03R
- *3-01B6A01R
- *4-01B6A010
- *5-01B6A01P
- *6-01B6A01N
- *7-01B6A01A
- *8-01B6A01L
- *9-01B6C02L
- *A-01B6A01N
- *B-01B6A020
- *C-01B6A020
- *D-01B6D03A
- *E-01A2A20A
- *F-01B6D03B
- *G-01A2A20B
- *H-01B6D03C
- *I-01A2A20C
- *J-01B6D03D
- *K-01A2A20D
- *L-01B6D03E
- *M-01A2A20E
- *N-01B6D03F
- *O-01A2A20F

COMMENTS

TAG DATE E.C.NO. TAG DATE E.C.NO. TAG DATE E.C.NO. TAG DATE E.C.NO.

A 12-18-61 116530 B 12-11-62 116178

729192

1771A

0729193

A REGISTER DISPLAY DRIVE

1401 BA

35.30.31.2

TAG DATE

A 5.4.62
TA 1233B

B 4.8.63
TA 1271A

-T A REG 1
35.21.11.2



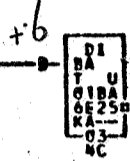
TU A REG 1 DISP
37.20.11.2

-T A REG 2
35.21.11.2



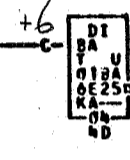
TU A REG 2 DISP
37.20.11.2

-T A REG 3
35.21.11.2



TU A REG 3 DISP
37.20.11.2

-T A REG 4
35.21.11.2



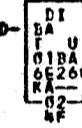
TU A REG 4 DISP
37.20.11.2

-T A REG A
35.21.11.2



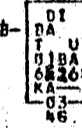
TU A REG A DISP
37.20.11.2

-T A REG B
35.21.11.2



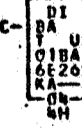
TU A REG B DISP
37.20.11.2

-T A REG C
35.10.11.2



TU A REG C DISP
37.20.11.2

-T A REG MM
35.10.11.2



TU A REG MM
DISPLAY
37.20.11.2

*1-01B6D03J
*7-01B6D03Q

01A2A20J
01A2A20M
01A2A20Q

*2-01B6D03K
*5-01B6D03N
*8-01B6D03R

01A2A20K
01A2A20N
01A2A20R

*3-01B6D03L
*6-01B6D03P

01A2A20L
01A2A20P

COMMENTS

TAG DATE	E.C.NO.	TAG DATE	E.C.NO.	TAG DATE	E.C.NO.
A 12-18-61	113530	B 12-11-62	114178		

729193