



IBM[®] Wiring Diagram

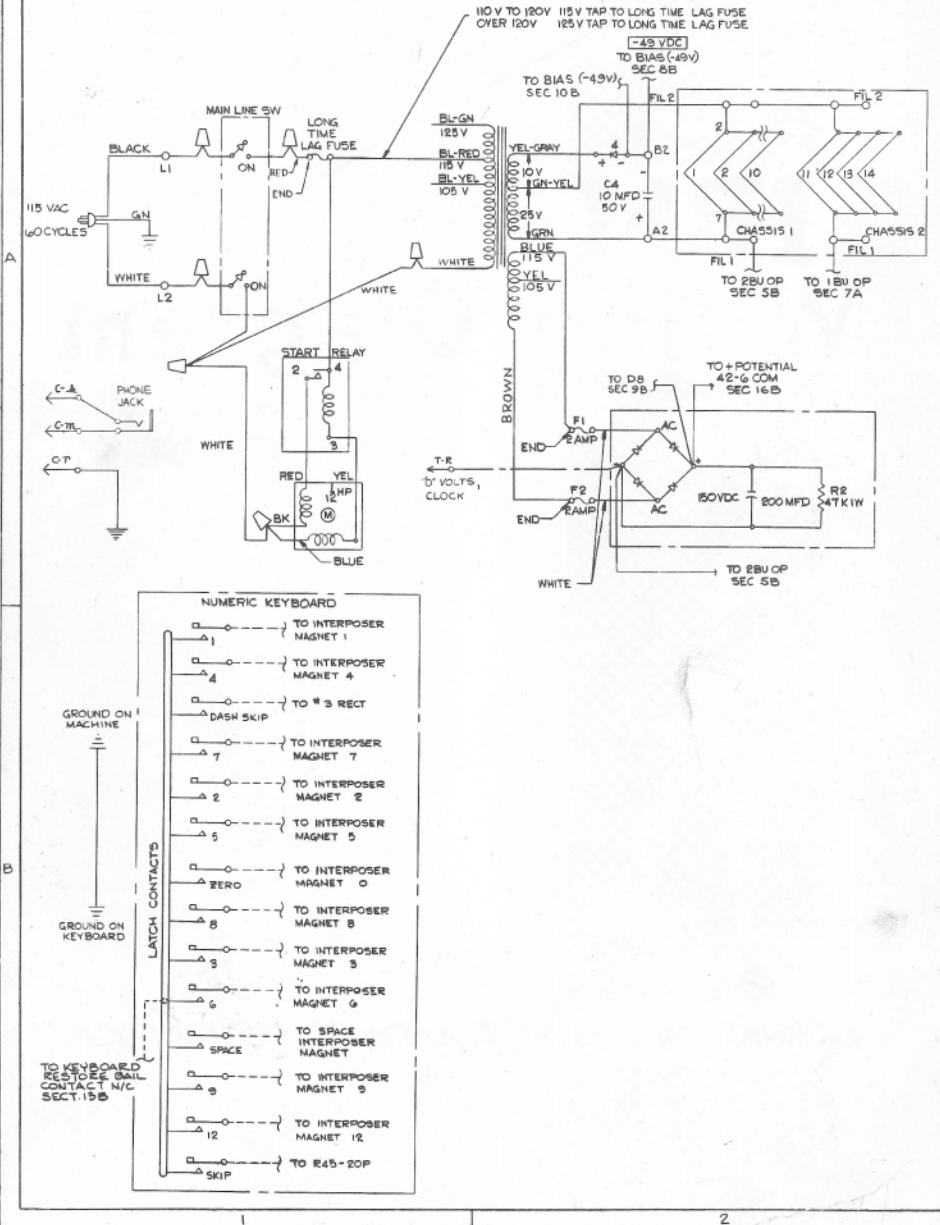
DIAGRAM NO. 349200-C
E.C. 203558

NAME - RECEIVE PUNCH
MODEL - 024-026



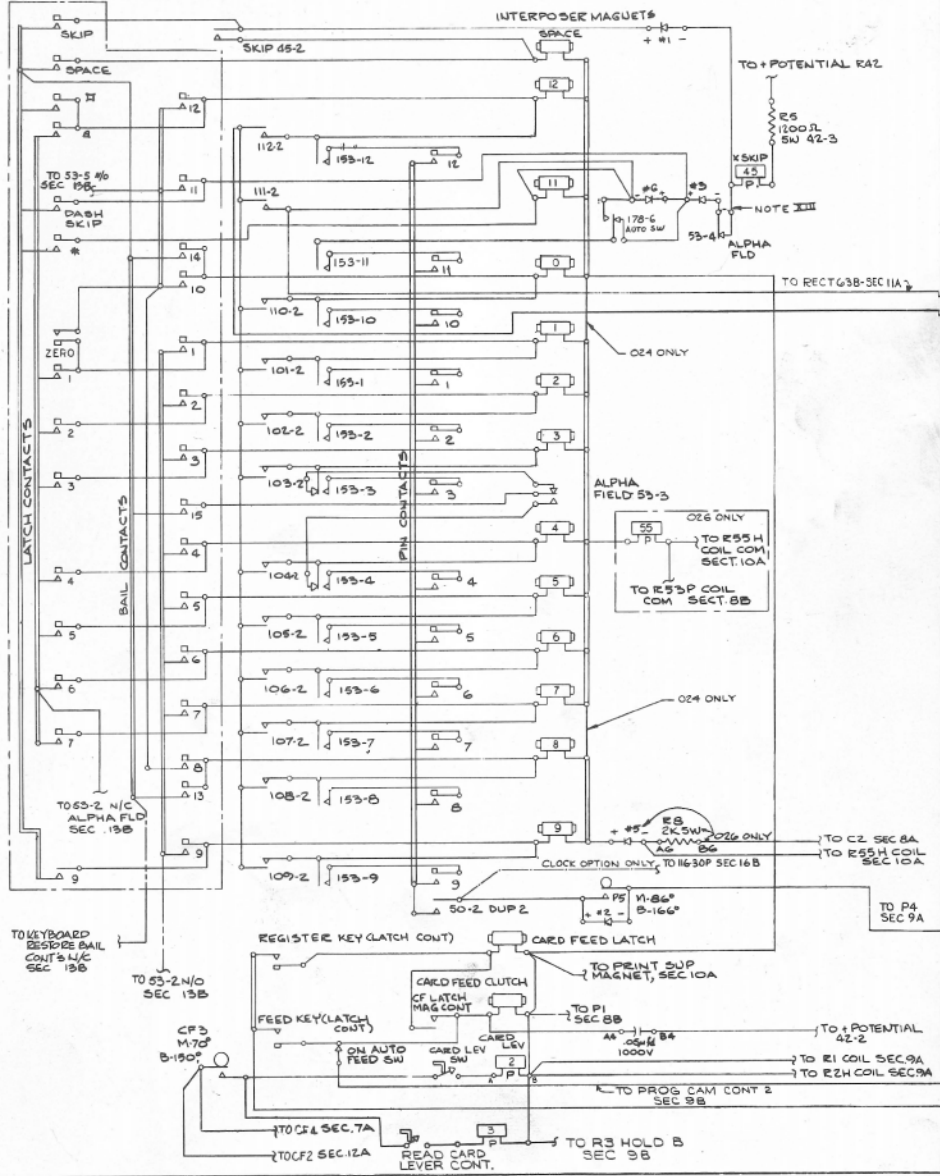
INTERNATIONAL BUSINESS MACHINES CORPORATION

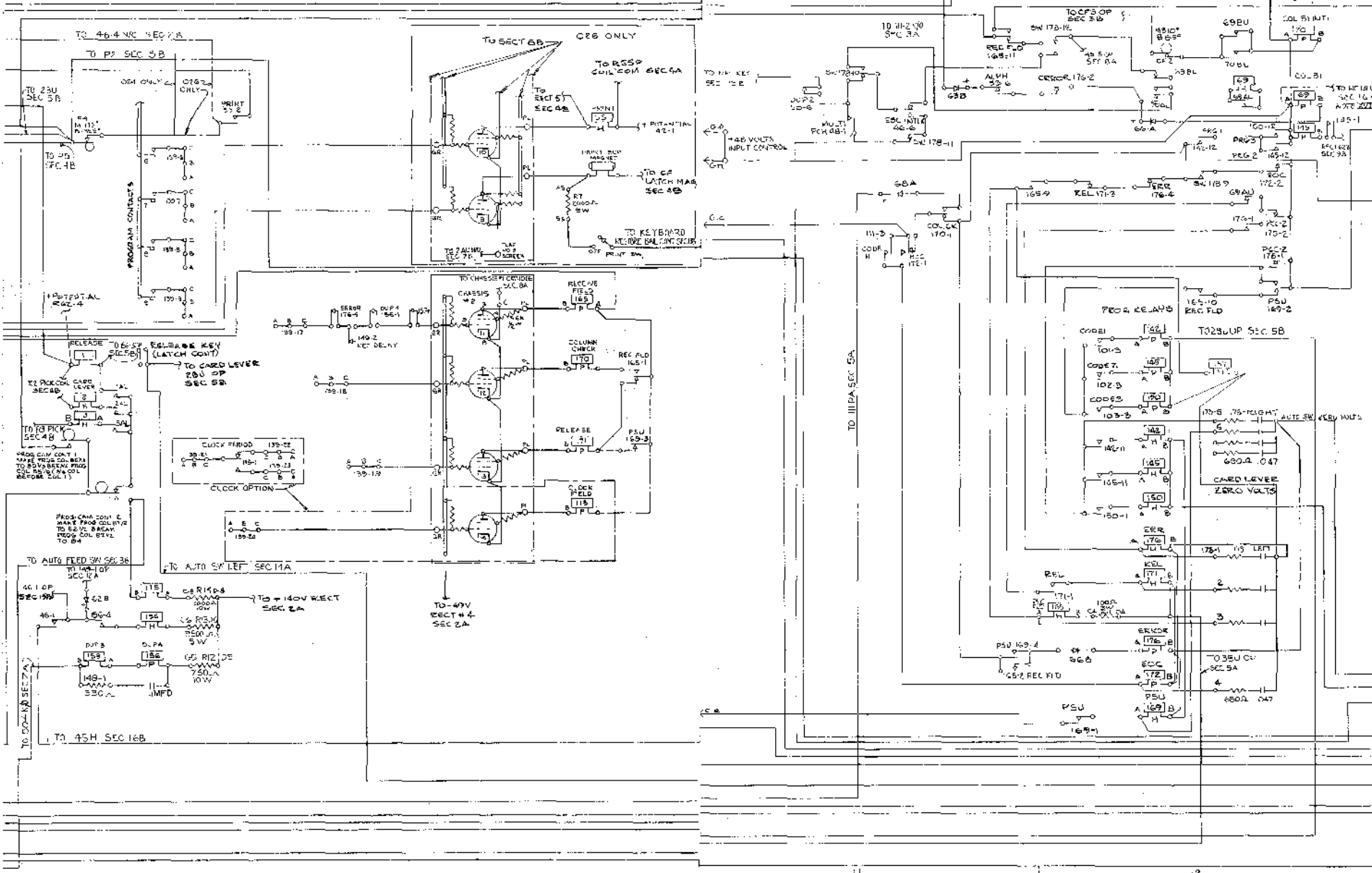




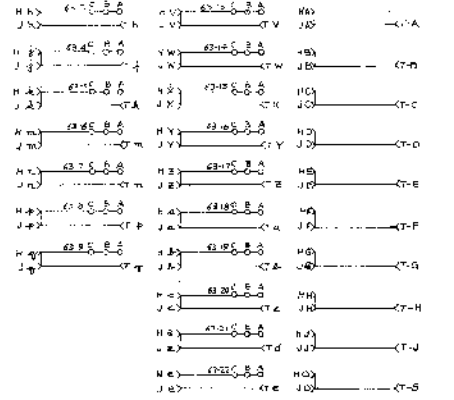
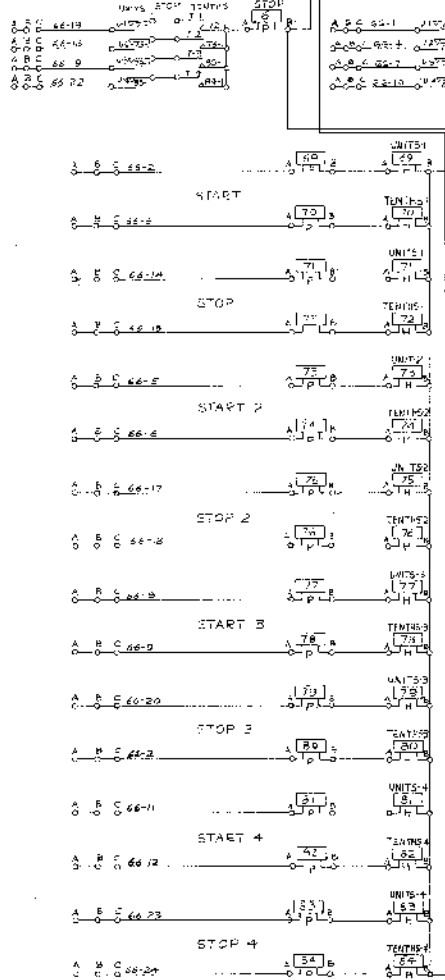
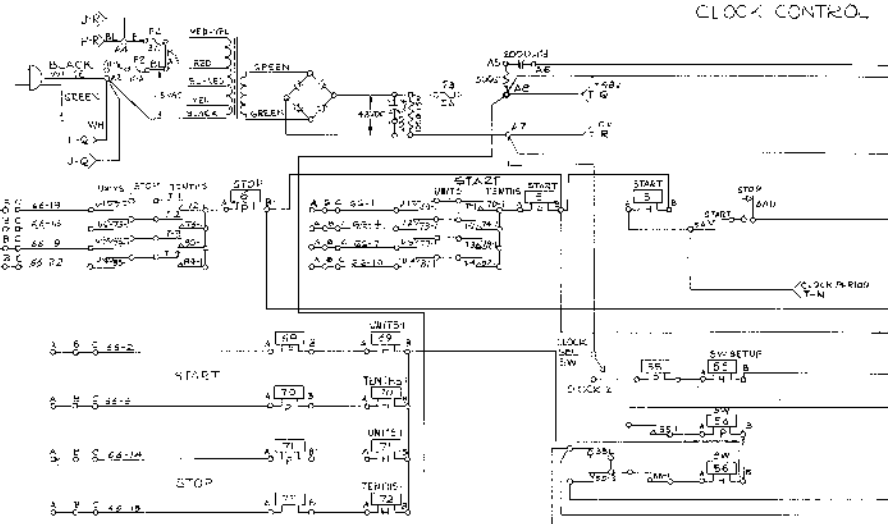
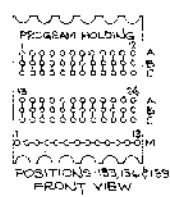
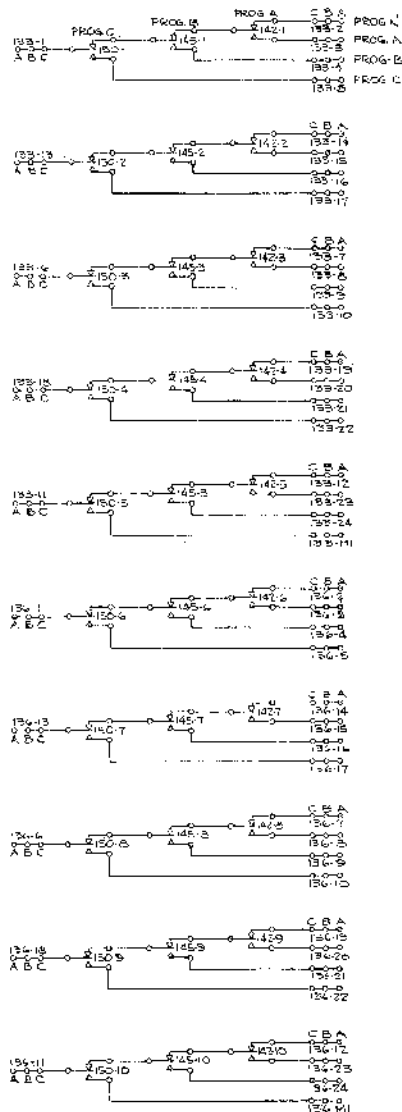
DWG. SUB. C

COMBINATION KEYBOARD





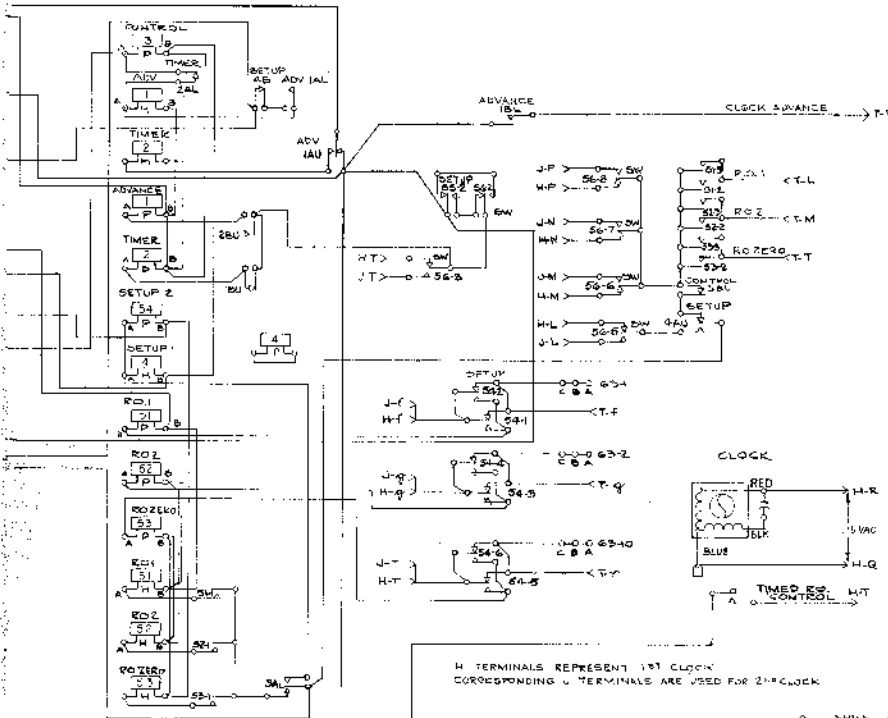
UNIT 100 C



CLOCK CONTROL

DWG. SIZE - C

CLOCK CONTROL



DIP RELAYS

RELAY NO.	P	H	CL	CU	DL	BT	PART NO.
1	9A	9A	9A	7A	7A	7A	800672
2	4B	3C	3A	7B	7A	5B	828210
3	4E	3A	3A	14B	5A	5B	828273
4	21A	21A	21A	21A	21A	21A	835517
5	23A	23A	23A	23A	23A	23A	835517
6	18A	20A	20A	20A	5A	5A	818777

WIRE CONTACT RELAYS

RELAY NO.	P	H	CL	CU	DL	BT	1	2	3	4	5	6	7	8	9	10	11	12	PART NO.
45	4A	4B	4B	4A	2A	2A	15B	2A	7B										186150
46	5A	5B	5B	5A	7A	6A	7B	14A	11A										186150
47	4A	4A	4A	4A	2A	2A													186150
48	8A	8A	8A	7A	7A	7A	7A	7A	8A										186150
49	8A	16B	8A	10	7A	7A	7A	7A	7A										186150
50	8A	7A	7A	7A	7A	7A	7A	7A	7A										186150
51	8B	8B	8B	7A	13B	4A	4A	15B	11A										186150
52	4A	4A	4A	2A	2A														186150
53	2A	2A	2A	2A	2A	2A	2A	2A	2A										186150
54	5A	5A	5A	5A	2B	4A													186150
55	5A	5A	5A	5A	3B	4B													186150
56	5A	5A	5A	5A	3B	4B													186150
57	5A	5A	5A	5A	3B	4B													186150
58	5A	5A	5A	5A	3B	4B													186150
59	5A	5A	5A	5A	3B	4B													186150
60	5A	5A	5A	5A	3B	4B													186150
61	5A	5A	5A	5A	3B	4B													186150
62	5A	5A	5A	5A	3B	4B													186150
63	5A	5A	5A	5A	3B	4B													186150
64	5A	5A	5A	5A	3B	4B													186150
65	5A	5A	5A	5A	3B	4B													186150
66	5A	5A	5A	5A	3B	4B													186150
67	5A	5A	5A	5A	3B	4B													186150
68	5A	5A	5A	5A	3B	4B													186150
69	5A	5A	5A	5A	3B	4B													186150
70	5A	5A	5A	5A	3B	4B													186150
71	5A	5A	5A	5A	3B	4B													186150
72	5A	5A	5A	5A	3B	4B													186150
73	5A	5A	5A	5A	3B	4B													186150
74	5A	5A	5A	5A	3B	4B													186150
75	5A	5A	5A	5A	3B	4B													186150
76	5A	5A	5A	5A	3B	4B													186150
77	5A	5A	5A	5A	3B	4B													186150
78	5A	5A	5A	5A	3B	4B													186150
79	5A	5A	5A	5A	3B	4B													186150
80	5A	5A	5A	5A	3B	4B													186150
81	5A	5A	5A	5A	3B	4B													186150
82	5A	5A	5A	5A	3B	4B													186150
83	5A	5A	5A	5A	3B	4B													186150
84	5A	5A	5A	5A	3B	4B													186150

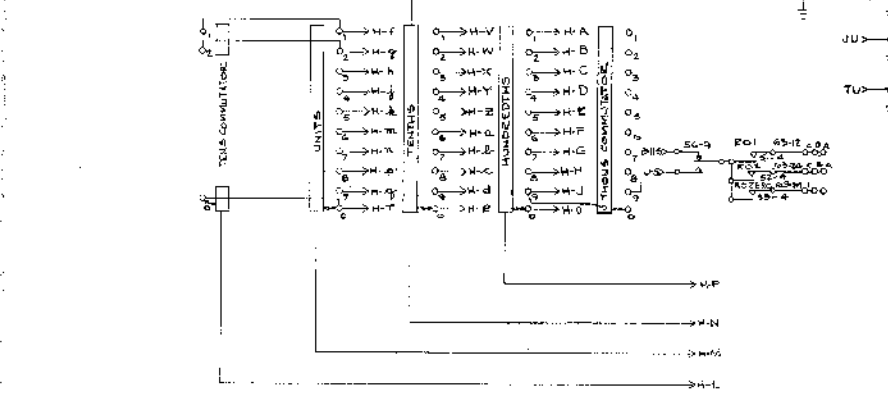
SC ASSEMBLIES

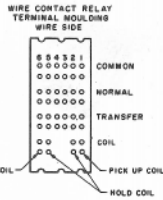
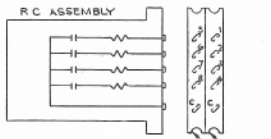
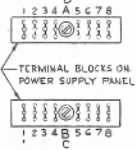
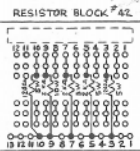
REV. NO.	DESC.	PART NO.
1
2
3
4
5
6
7
8
9
10

RECTIFIERS

RECT. NO.	SEC.	WATTAGE	PART NO.
1	2A	50	208000
2	4A	100	76162
3	4A	100	76162
4	4A	100	76162
5	4B	100	76162
6	4A	100	76162
7	8B	200	22560B
8	7A	5	22560B
9	7A	100	76162
10	8B	100	76162
11	10A	100	76162
12	8B	100	76162
13	8B	100	76162
14	8B	100	76162
15	8B	100	76162
16	8B	100	76162
17	8B	100	76162
18	8B	100	76162
19	8B	100	76162
20	8B	100	76162
21	8B	100	76162
22	8B	100	76162
23	8B	100	76162
24	8B	100	76162
25	8B	100	76162
26	8B	100	76162
27	8B	100	76162
28	8B	100	76162
29	8B	100	76162
30	8B	100	76162
31	8B	100	76162
32	8B	100	76162
33	8B	100	76162
34	8B	100	76162
35	8B	100	76162
36	8B	100	76162
37	8B	100	76162
38	8B	100	76162
39	8B	100	76162
40	8B	100	76162

H TERMINALS REPRESENT 1ST CLOCK CORRESPONDING L TERMINALS ARE USED FOR 2ND CLOCK





RESISTORS

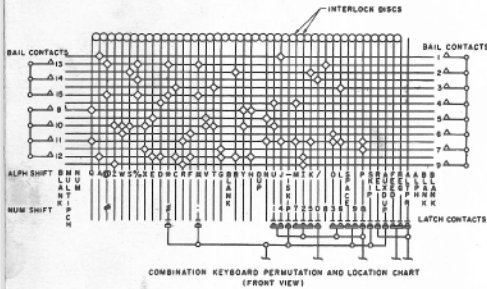
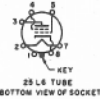
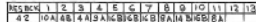
RESISTOR NO.	SEC	RESISTANCE	WATTS	PART NO
1	1G B	1000	5	310914
2	2A	47000	1	18084C
3	14 B	2000	10	310915
4	1G B	1200	5	310913
5	4A	1200	5	310913
6	1G B	2000	5	310914
7	10A	2000	5	310914
8	4B	7000	5	310914
9	13A	200	10	340190
10	13 B	200	10	340190
11	12 B	100	5	390229
12	9B	750	10	340916
13	9B	3500	5	264692
14	9B	2000	10	310915

TOLERANCE OF ALL RESISTORS ±10%

CAPACITORS

LOCATION	SEC	CAPACITANCE	SERIES RESISTANCE	WVDC	PART NO
DC SUPPLY	2A	200 MFD		200	16772B
C-1 CAM TYPE	13B	5 MFD	50 Ω	400	17370B
C-2 CAM TYPE	2A	5 MFD	50 Ω	400	17370B
RAIL CONTACTS	7A	.05 MFD	1000 Ω	400	310590
TERM A3 G B3	13B	.05 MFD	1000	310920	
TERM A4 G B4	4B	.05 MFD	1000	310918	
TERM A2 G B2	2A	10 MFD		50	310919

TERM AND RESISTOR BLOCK RELAY GATE



- NOTES
- I ALL TUBES ARE 25 L6'S
 - II ALL BIAS RESISTORS ARE 50K SW, PART NO 301149
 - III ALL SCREEN RESISTORS 4.7K, 1W, PART NO 169129 UNLESS OTHERWISE NOTED
 - IV ALL GRID PROTECTION RESISTORS ARE 10K, 1W, PART NO 164093
 - V TUBE #8 AND RELAY 30 USED ONLY ON MACHINES WITH COMB. KEYBOARDS
 - VI --- INDICATES WIRING WHEN COMB KEYBOARD USED
 - VII --- INDICATES WIRING WHEN NUM KEYBOARD USED
 - VIII SPECIAL CHARACTER KEYS ARE MECHANICALLY INOPERATIVE ON STANDARD MACHINES
 - IX --- INDICATES SOLID BAR COMMON
 - X THE MARKED NC TERMINAL ON THE SWITCH IS THE TERMINAL WIRED AS SHOWN
 - XVII RESISTOR COM NOT WIRED AS SHOWN
 - XVIII REMOVE THESE JUMPERS WHEN CLOCK OPTION IS INSTALLED
 - ADD WHEN CLOCK OPTION IS INSTALLED

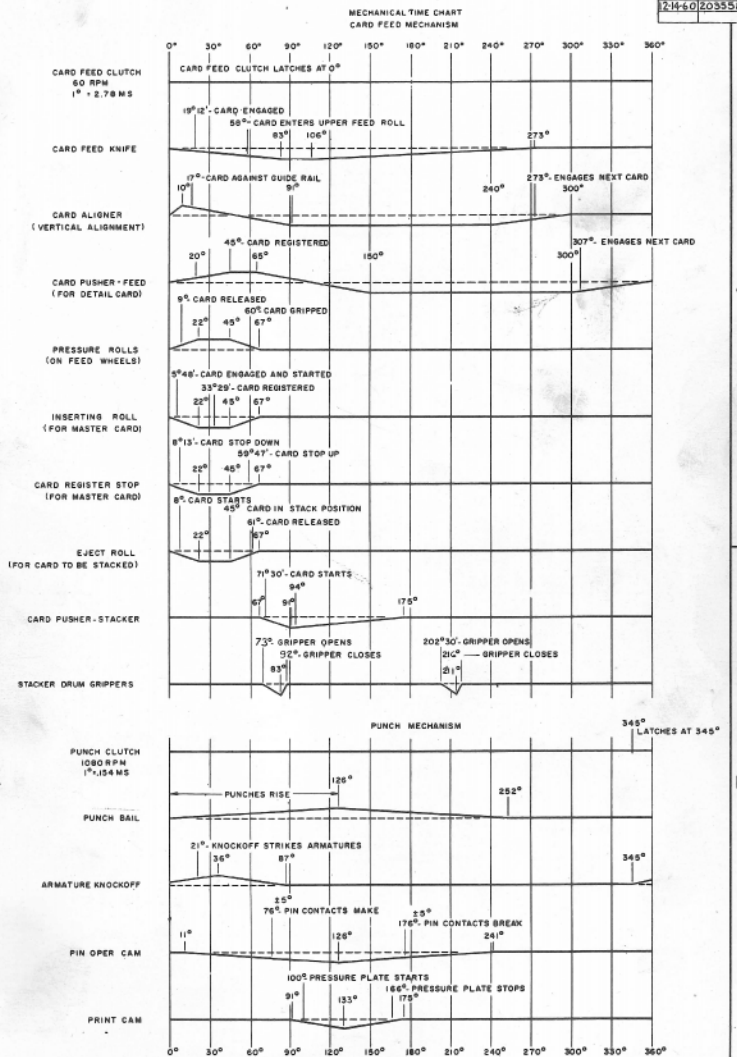
CARD FEED (CF) CAMS

LOCATION NO	1	2	3	4
12 A	180° ± 1°	180° ± 1°	180° ± 1°	180° ± 1°
13 B	180° ± 1°	180° ± 1°	180° ± 1°	180° ± 1°
7 A	180° ± 1°	180° ± 1°	180° ± 1°	180° ± 1°

PUNCH OR CAMS

LOCATION NO	1	2	3	4	5
1	180° ± 1°	180° ± 1°	180° ± 1°	180° ± 1°	180° ± 1°
2	180° ± 1°	180° ± 1°	180° ± 1°	180° ± 1°	180° ± 1°
3	180° ± 1°	180° ± 1°	180° ± 1°	180° ± 1°	180° ± 1°
4	180° ± 1°	180° ± 1°	180° ± 1°	180° ± 1°	180° ± 1°
5	180° ± 1°	180° ± 1°	180° ± 1°	180° ± 1°	180° ± 1°

DATE: 10-20-59
 DRAWN: J. W. 1027 F. J. 2
 CHECKED: J. W. 1027 F. J. 2
 APPROVED: J. W. 1027 F. J. 2



INTERNATIONAL BUSINESS MACHINES CORP
 NAME: CARD PUNCH
 MODEL: 024-026
 PART: WIRING DIAGRAM
 RECEIVE: PUNCH
 DRAW: MDS 5-29-59
 CHECK: WCV 6-27-59
 APPROVE: JCT 6-27-59