

77 Collator

IBM® Parts Catalog

77 Collator

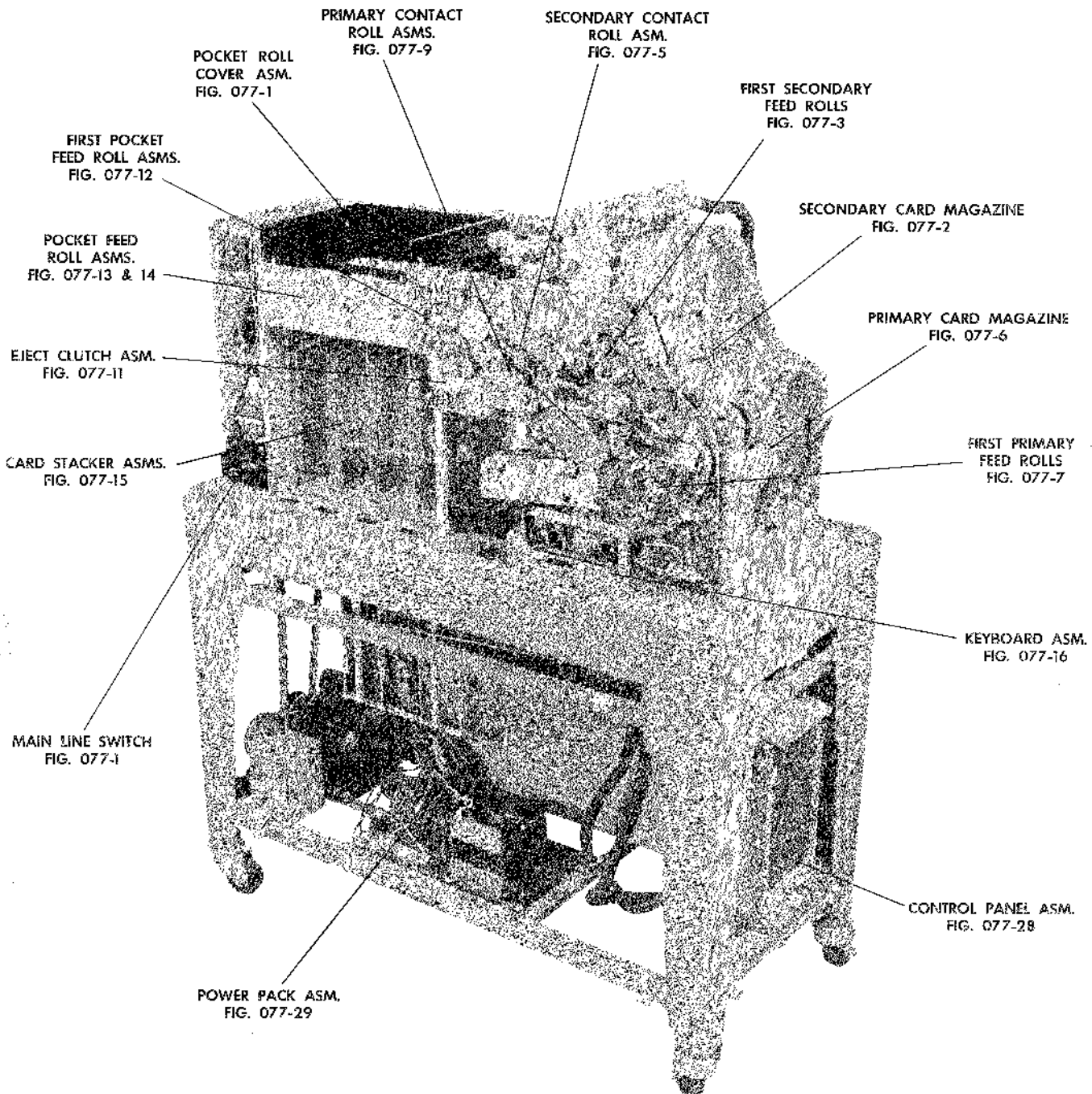
Page 2 will help in locating the figure number on which the particular part desired will be found.

All assemblies are identified by an alphabetical character enclosed in a circle. The component parts of the assembly are indicated by a reference no. When an assembly is listed, for example B, all parts that are listed between B and C are component parts of B.

IBM Parts Catalog

IBM

ENDICOTT, NEW YORK U.S.A.



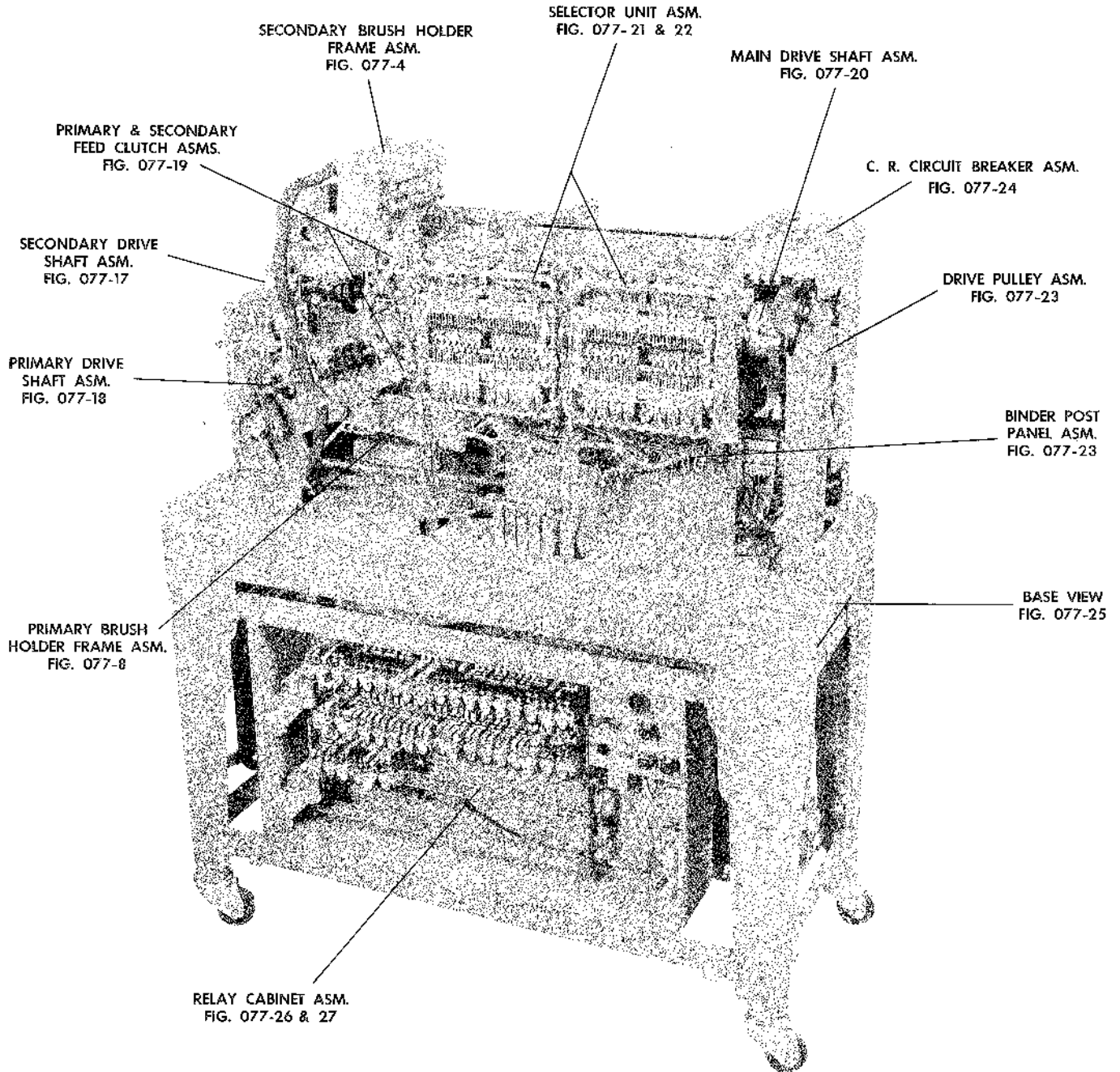
TYPE 077 COLLATOR

FRONT VIEW



IBM

ENDICOTT, NEW YORK U.S.A.



TYPE 077 COLLATOR

REAR VIEW



JULY 15, 1954

PAGE 3

REF. NO.	PART NO.	PART NAME
A	130742	CASPER ASM
B	155018	CORE ASM-GROUNDED DC OR AC 1 PHASE
B	155019	CORD ASM-GROUNDED AC 2 OR 3 PHASE
B	183829	CORD ASM-NON GROUND DC OR AC 1 PHASE
B	134528	CORE ASM-NON GROUND AC2 OR 3 PHASE
C	167190	LATCH ASM-COVER
E	282383	COVER ASM-PKT ROLL
1	2179	SCREW-SIDE MTG
2	120326	SCREW-BACK FASTEN
3	166882	COVER-POCKET ROLL
4	166884	COVER-BACK PKT ROLL
5	166885	COVER-RH SIDE
6	166886	COVER-LH SIDE
F	283779	COVER ASM-PRI MAG
7	60937	PIN-NAME PLATE DRIVE
8	167079	COVER-PRI MAGAZINE
9	167472	PLATE-PRI FEED NAME

REF. NO.	PART NO.	PART NAME
G	283780	COVER ASM-SEC MAG
10	60937	PIN-NAME PLATE DRIVE
11	166913	COVER-SEC MAGAZINE
12	167473	PLATE-SEC FEED NAME
H	167103	COVER ASM-TOP
J	103355	COVER ASM-REAR
K	221752	COVER ASM-FRONT
PARTS NOT SHOWN ON SUB ASSEMBLIES		
16	455	SCREW-KB COVER MTG
17	3550	WASHER-JOB PLATE MTG
18	3960	NUT-TOP COVER SUPT
19	9092	LWASHER-TOP COV SUPT
20	11118	SCREW-COV PLATE MTG
21	11598	NUT-TOP COVER SUPT
22	25750	SCREW-COV PLATE MTG
23	28413	SCREW-TOP COVER SUPT
24	59647	SCREW-TOP COVER SUPT
25	79086	NUT-SPEED

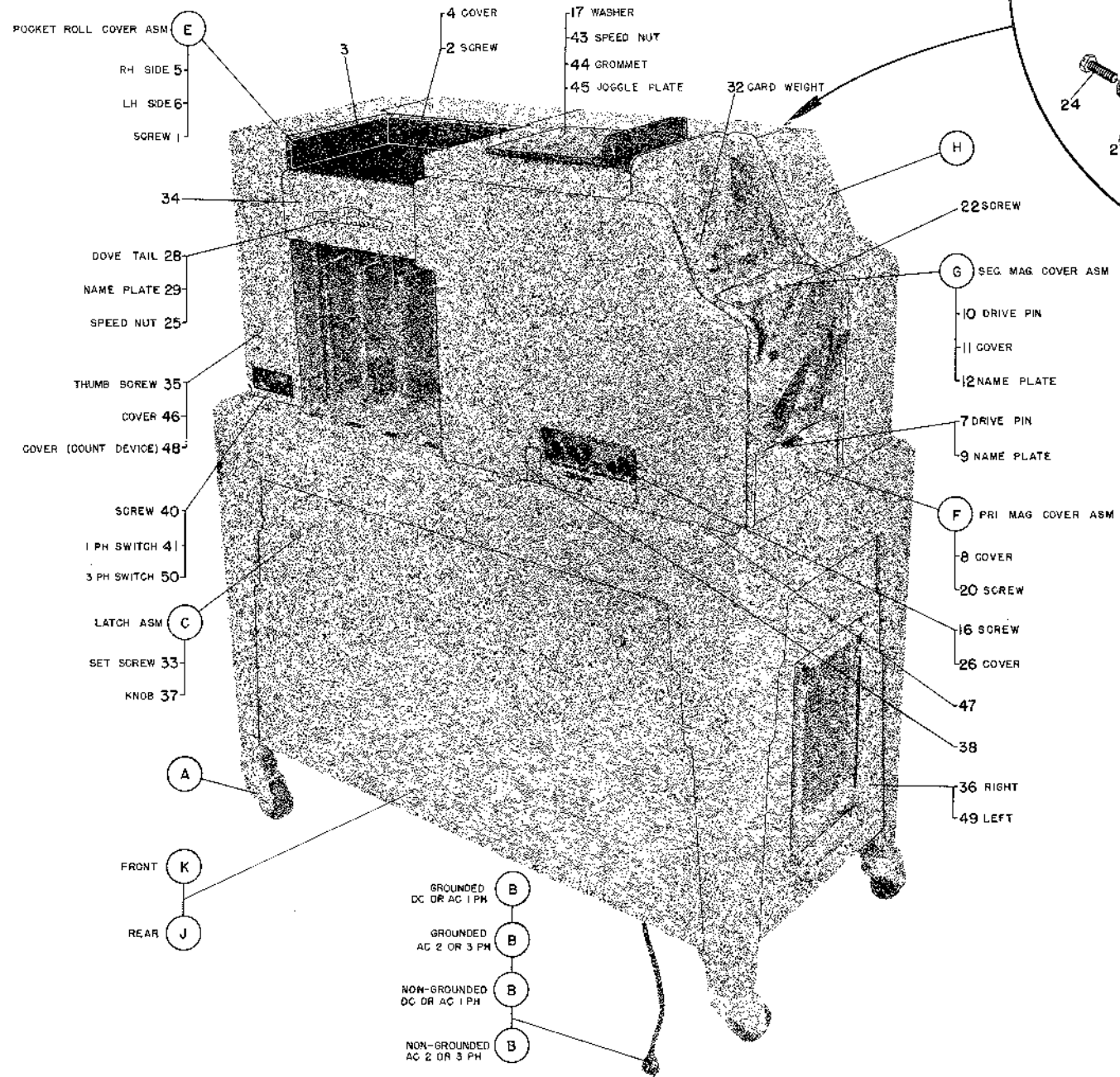
REF. NO.	PART NO.	PART NAME
26	103502	COVER-KEYBOARD
27	103660	WASHER-FRICTION
28	109594	COVER-TAIL-NAME PLATE
29	109604	PLATE-NAME
30	112614	NUT-TOP COVER SUPT
31	112615	SPRING-TOP COV SUPT
32	141743	WEIGHT-CARD
33	165556	SCREW-KNOB SET
34	166932	PLATE-FRONT COVER
35	167034	SCREW-COVER THUMB
36	167129	COVER-RIGHT
37	167188	KNOB-PANFL LATCH
38	184379	COVER-SWITCH GUARD
39	185454	COLLAR-TOP COV SUPT
40	196299	SCREW-SWITCH MTG
41	210428	SWITCH-MAIN LINE 1 PH
42	218880	SUPPORT-TOP COVER
43	219615	NUT-SPEED
44	219616	GROMMET
45	219617	PLATE-JOCCLE
46	233423	COVER-LEFT END
47	233437	COVER-FRONT
48	238675	COVER-LEFT END
49	167131	COVER-LEFT END
50	220272	SWITCH-MAIN 3 PH



JULY 16, 1964

FIG 077-1

PAGE 5



COVER VIEW

REF. NO. PART NO. PART NAME REF. NO. PART NO. PART NAME REF. NO. PART NO. PART NAME

REF. NO.	PART NO.	PART NAME	REF. NO.	PART NO.	PART NAME	REF. NO.	PART NO.	PART NAME
A	134152	BRACKET ASM-LEVER A	D1	1682	TERMINAL ASM-CGNT	48	106361	GUIDE-BACK SUPPORT
	133203	LEVER-CARD	D2	150023	TERMINAL ASM-CGNT	49	107468	SCREW-KNIFE GUIDE
	147297	CLIP-RETAIN SPRING	D3	167207	SPRING ASM-CONTACT	50	121408	TUBE-OIL PRESSURE
A1	134150	BRACKET ASM-CD LEVER	D4	167420	SPRING ASM-CONTACT	51	121412	TUBE-OIL PRESSURE
B	134261	HOLDER ASM-FG KNIFE	E	283739	SHAFT ASM-CARD PICK	52	121471	TUBE-OIL TAIL
	106269	RACK-KNIFE	27	3912	COLLAR-PICKER SHAFT	53	121483	TUBE-OIL TAIL
	123639	SCREW-ACU STUD SET	28	28441	PIN-TAPER	54	122856	PIN-THREADED TAPER
B1	134996	HOLDER ASM-FG KNIFE	29	133610	SECTOR-PICKER KNIFE	55	133200	PLATE-CD KNIFE SUPT
	7040	SCREW-ADJUSTING	30	168900	SHAFT-PICKER	56	133275	PLATE-MAGAZINE BACK
	10476	SCREW-KNIFE ADJUST	31	167180	ARM ASM-PICK SHAFT	57	152633	SCREW-BRACKET MTG
	133580	STUD-KNIFE RACK ADJ				58	155203	STUD-EDWARD SUPPORT
	133594	WASHER-RACK ACJ SCR				59	159796	SCREW-THROAT BLOCK
	163899	WASHER-ADJUST SCR				60	159797	WASHER-THROAT BLOCK
	228717	KNIFE-CARD FEED				61	159868	SHIM-BACK ADJUSTING
	228719	HOLDER-KNIFE				62	166687	FRAME-FRONT SIDE
						63	166682	FRAME-REAR SIDE
C	155974	BLOCK ASM-ROLL THRO	32	2954	SCREW-STUD MOUNTING	64	166561	GUIDE-MAC BACK CARP
	159769	BLOCK-ROLLER THROAT	33	266	SCREW-MAG BED PLATE	65	166596	STUD-FRONT COVER
	159770	POLLER-THROAT BLOCK	34	266	SCREW-MAG BACK PLATE	66	167144	BEARING-PICKER SHAFT
	159771	BUSHING-ROLLER	35	337	SCREW-SIDE PLATE MTG	67	167259	SOCKET-COY LOC STUD
	159772	WICKING-OIL	36	358	SCREW-BACK SUPPORT	68	190269	TUBE-OIL TAIL
	165556	SCREW-OIL WICK	37	443	SCREW-OIL JUNCT MTG	69	190275	UNIT-OIL METER "0"
			38	9092	WASHER-BACK PLT MTG	70	190277	BUSHING-COMP S/32"
			39	5092	LWASHER-BED PLT MTG	71	190278	NUT-COMPRESSION
D	167419	CONTACT ASM-CD LEVER	40	10439	KNIFE-THROAT	72	190360	UNIT-OIL METER "0"
	1974	BLOCK-INSULATION	41	25579	SCREW-THROAT KNIFE	73	190364	JUNCT-ON-6 WAY OIL
	11899	BLOCK-INSULATION	42	38451	SCREW-CARD GUIDE MTG	74	190398	TUBE-OIL TAIL
	11900	BLOCK-INSULATION	43	42003	SCREW-GUARD MTG	75	196833	CECAL-CC PLATE JNC
	28747	BLOCK-CONTACT	44	53370	SPACER-OIL JCT MTG	76	223187	PLATE-RIGHT SIDE
	125884	INSULATION-SCREW	45	101808	GUIDE-FEED KNIFE	77	222188	PLATE-LEFT SICE
	167422	BRACKET-CONTACT MTS	46	101853	WICK-FD KNIFE GUIDE	78	222189	WASHER-SIDE PLATE
	179145	SCREW-CONTACT MTG	47	105047	LWASHER-CD LFV BRKT	79	110635	WASHER-SIDE PLATE

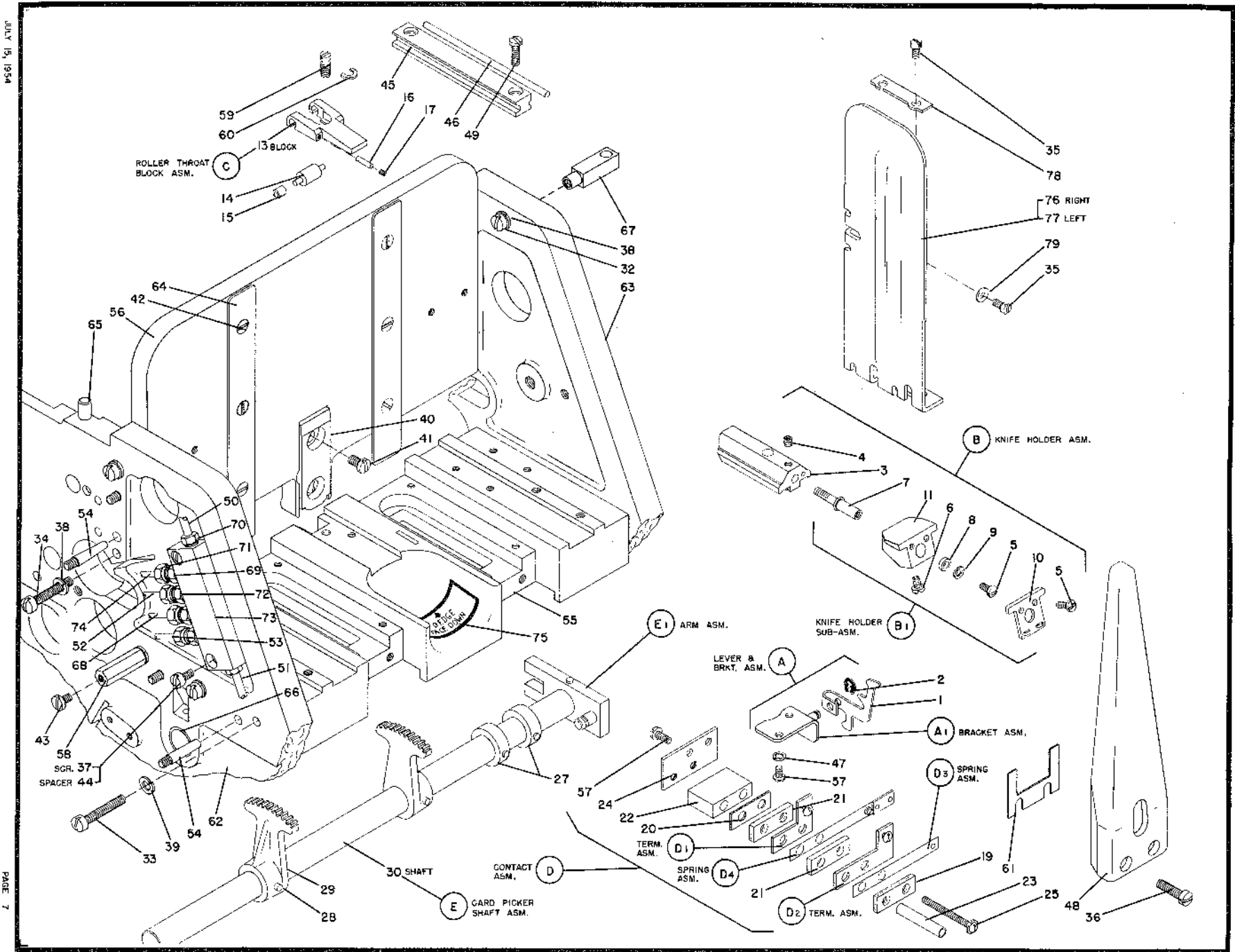
PARTS NOT SHOWN ON SUB ASSEMBLIES

FIGURE 077-2



JULY 15, 1954

FIG. 077-2



SECONDARY CARD MAGAZINE

REF. NO.	PART NO.	PART NAME
A	107797	CONTACT ASM-CARD LV
1	11900	INSULATION-CONTACT
2	100134	INSULATION-SCREW
3	166920	BRACKET-CD LEV CONT
4	173207	SCREW-CONTACT MTG
A1	24957	TERMINAL ASM-CONT
A2	106120	TERMINAL ASM-CONT
A3	139724	SPRING ASM-CONTACT
A4	139725	SPRING ASM-CONTACT
B	134112	LEVER ASM-CARD
C	166917	CONTACT ASM-CD LEV
8	11899	INSULATION-CONTACT
9	11900	INSULATION-CONTACT
10	100227	INSULATION-SCREW
11	106318	BLOCK-CONTACT MTG
12	173204	SCREW-CONTACT MTG
C1	139724	SPRING ASM-CONTACT
C2	139725	SPRING ASM-CONTACT
C3	141964	TERMINAL ASM-CONT
C4	141965	TERMINAL ASM-CONT
C5	141968	TERMINAL ASM-CONT
D	166949	GUIDE ASM-LONG CARC
F	167095	GUIDE ASM-SHORT CD

REF. NO.	PART NO.	PART NAME
F	289404	HOUSING ASM-BRG AND
14	142459	BEARING-OILITE
F1	190416	HOUSING ASM-BEARING
G	182398	ROLL ASM-FEED
16	22867	PIN-TAPER
17	166901	ROLL-FEED
18	167045	GEAR-FEED ROLL
H	182939	ROLL ASM-PRESSURE
20	29980	PIN-GEAR TAPER
21	167041	GEAR-PRESSURE ROLL
22	249028	ROLL-PRESSURE
PARTS NOT SHOWN ON SUB ASSEMBLIES		
25	92	SCREW-CABLE CLAMP
26	99	SCREW-RETAINFR-MTG
27	641	SCREW-PRES BRKT MTG
28	2032	SCREW-CARD GUIDE MT
29	2629	SCREW-CONTACT MTG
30	2629	SCREW-CONTACT MTG
31	15616	NUT-FEED ROLL GEAR
32	23956	SCREW-CARD GUIDE MT
33	25590	SPACFR-CONT MTG SCR

REF. NO.	PART NO.	PART NAME
34	20579	SCREW-BRG COVER MTG
35	31641	CLAMP-CABLE
36	60488	CLIP-SPRING
37	121461	TUBE-OIL TAIL
38	121464	TUBE-OIL TAIL
39	123206	CLIP-CD LEV SPRING
40	166897	BEARING-FEED ROLL
41	166962	COVER-FD ROLL BRG
42	167082	PIVOT-CARD LEVER
43	167098	RETAINER-BEARING
44	167113	RETAINER-FELT
45	167139	BEARING-FEED ROLL
46	167233	SHOE-PRESSURE
47	167241	SPRING-PRESSURE SHOE
48	167429	FELT-SHOE LUBRICATE
49	190277	BUSHING-COMPRESSION
50	190278	PLUG-CLOSURE
51	190279	NUT-COMPRESSION
52	190360	METER-LIMIT-"DO"
53	190363	JUNCTION-5 WAY DIL
54	190376	BRACKET-UPPER PRESE
55	190388	TUBE-OIL PRESSURE
56	218970	GEAR-SECOND SPIRAL
57	218971	SPACFR-SPIRAL GEAR
58	65629	SPACFR-OIL JUNCTION
59	358	SCREW-OIL JCT MTG
60	113707	SCREW-BR UN PIV SFT

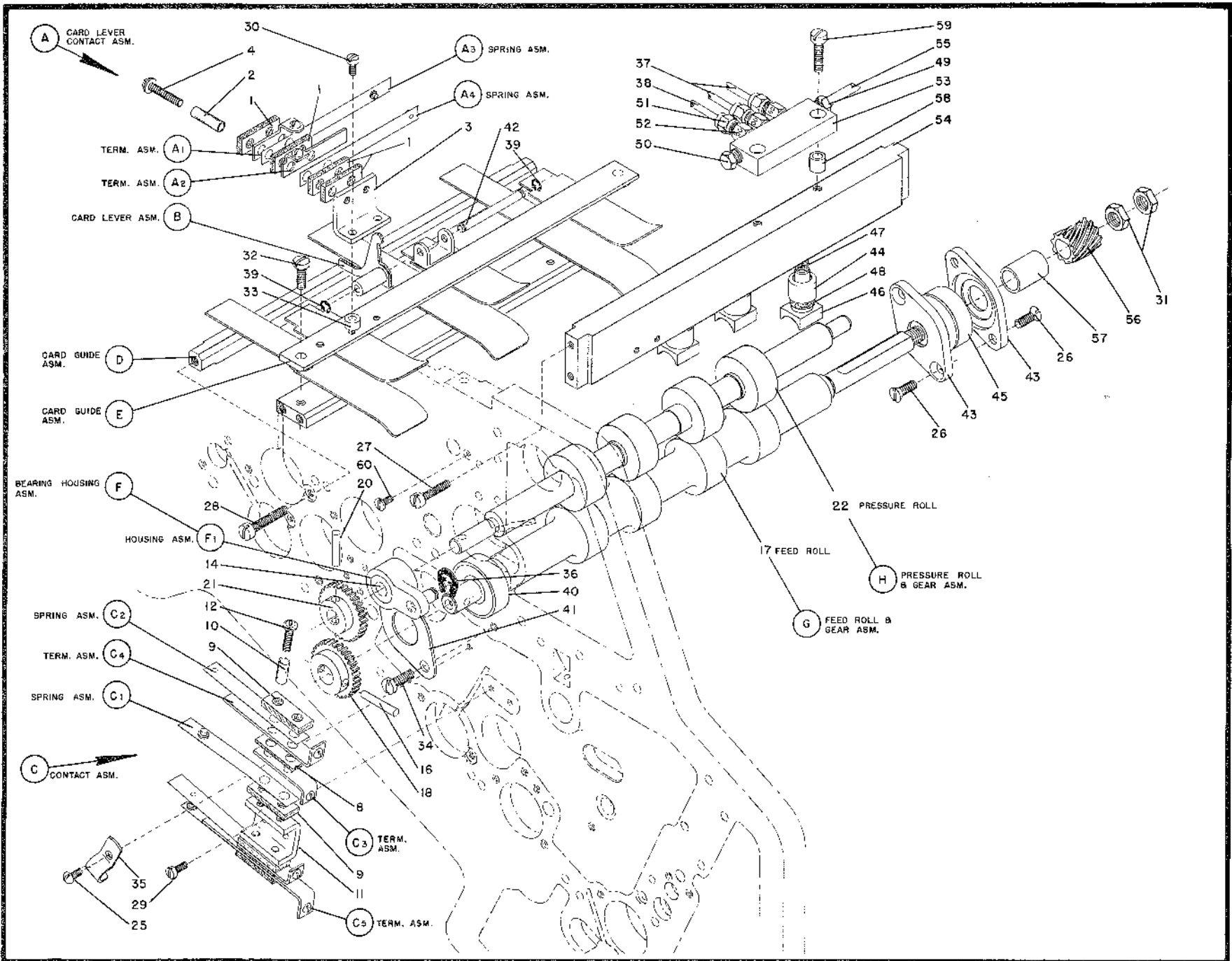


FIG. 077-3

FIRST SECONDARY FEED ROLLS

REF. NO.	PART NO.	PART NAME
A	280055	FRAME ASM-BR HOLDER
1	186	SCREW-BRUSH BLK MTG
2	3500	SCREW-LOC BLOCK MTG
3	11598	NUT-LATCH MTG
4	22587	STUD-SPRING
5	41117	SCREW-LATCH MTG
6	60488	CLIP-SPRING
7	108301	SCREW-PRES BRKT MTG
8	114201	WASHER-BLK MTG SCR
9	126572	SPRING-UNIT LATCH
10	166648	PLATE-PRESSURE
11	167108	BRACKET-ROLL PRESS
12	167113	RETAINER-SHOE FELT
13	167233	SHOE-PRESSURE
14	167241	SPRING-PRESS SHOE
15	167429	FELT-PRES SHOE LUB
16	167498	SPRING-GUIDE ROLL
17	192896	LATCH-BRUSH UNIT
18	197474	BLOCK-HOLDER LOCATE
19	197475	SCREW-BR BLK ALIGN
20	214489	STUD-BR UNIT LATCH
A1	117182	ROLL ASM-BRUSH GDE
21	78605	PIN-GEAR MTG
22	180429	GEAR-SPUR
A1A	141992	SHAFT ASM-BR GDE RL

REF. NO.	PART NO.	PART NAME
A2	178779	BLOCK ASM-BRUSH AND
23	344	PIN-BUSHING HOLD
24	12970	SCREW-BRUSH CLAMP
25	28767	BUSHING-BLK MTG SCR
26	120100	BLOCK-BRUSH HOLDER
27	154404	NUT-BRUSH CLAMP SCR
A2A	207785	BRUSH ASM
A3	162768	ROLL ASM-PRESSURE
28	44507	PIN-GEAR TAPER
29	167041	GEAR-PRESSURE ROLL
30	249222	ROLL-PRESSURE
A4	182882	SHAFT ASM-HOLD LOCK
31	44507	PIN-CAM TAPER
32	101805	WASHER-FRICTION
33	166651	HANDLE-LOCK SHAFT
34	167416	SHAFT-LOCK CAM
A4A	166658	CAM ASM-LOCK
A4B	166659	CAM ASM-LOCK
A5	280245	GUIDE ASM-FRAME AND
35	99	SCREW-BR UNIT SUPT
36	4236	SCREW-CARD GUIDE MT
37	167417	ROC-BR UNIT SUPPORT
38	195309	PIN-TAPER
A5A	142451	PLATE ASM-FRNT SIDE
A5B	142452	PLATE ASM-REAR SIDE

REF. NO.	PART NO.	PART NAME
A5C	167191	GUIDE ASM-CARD
39	143349	RIVET-CARD GUIDE
40	167072	GUIDE-CARD
REMAINDER OF THIS ASM NOT SUITABLE FOR BREAKDOWN		
A6	281065	HOUSING ASM-BRG AND
42	142454	HOUSING-BEARING
43	142457	BEARING-PIVOT
44	142459	BEARING-ROLL
A7	281066	HOUSING ASM-BRG AND
46	142453	HOUSING-BEARING
47	142457	BEARING-PIVOT
48	142455	BEARING-ROLL
B	167319	CABLE ASM-BRUSH TO CP
PARTS NOT SHOWN ON SUB ASSEMBLIES		
50	337	SCREW-BRKT MTG
51	12132	SCREW-CABLE CLAMP MTG
52	166614	SHAFT-BR UNIT PIVOT
53	166668	CLAMP-CABLE
54	166669	BRACKET-CABLE CLAMP

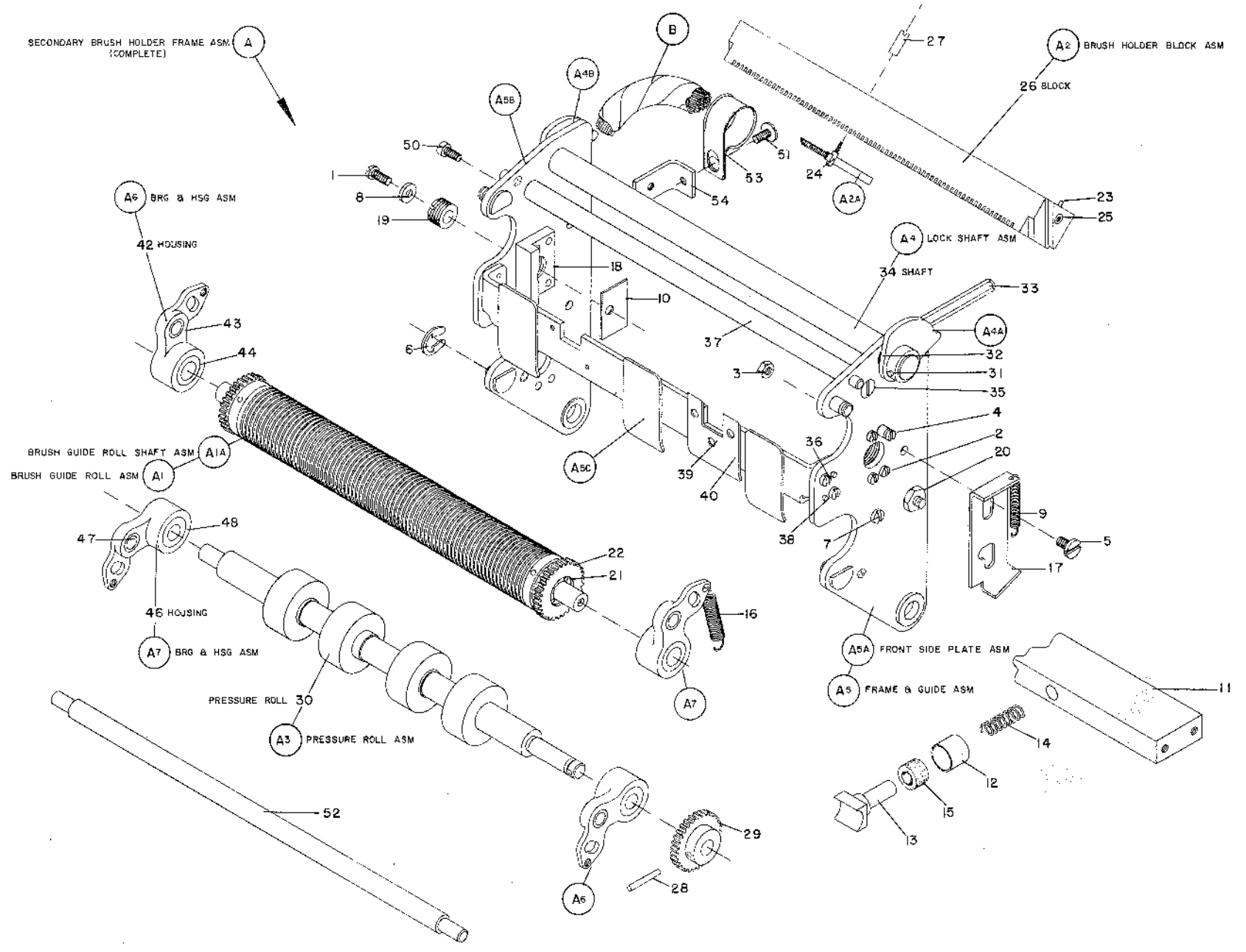


FIG. 077-4

REF. NO.	PART NO.	PART NAME
A	249338	ROLL ASM-CONTACT
1	10574	NUT-CONTACT ROLL
2	117159	KEY-CONTACT ROLL
3	159346	GEAR-CONT ROLL SPUR
4	165556	SCREW-GEAR SFT
5	179966	WASHER-CONTACT ROLL
6	180355	SPACER-CONT ROLL
7	180364	KEY-CONTACT ROLL
8	50104	SCREW-CONT ROLL BRG
A1	249310	GEAR ASM-DRIVE
A2	117155	BEARING ASM-CONT RL
A3	249309	GEAR ASM-C R RIGHT
A4	117172	GEAR ASM-C R DRIVE
A5	249305	SHAFT ASM-CONT ROLL
B	234086	BAR ASM-COMMON BR
10	2118	SCREW-BRUSH MTG
11	6318	WASHER-BLOCK MTG
12	7341	NUT-BRUSH MTG
13	23931	NUT-BLOCK MTG
14	24511	WASHER-BLOCK MTG
15	166896	BLOCK-BR HOLD MTG
16	167065	SLEEVE-END INSUL
17	167488	SLEEVE-BRUSH BAR
18	223532	HOLDER-COMMON BRUSH
19	223533	BAR-COMMON BRUSH MT
B1	1769	BRUSH ASM
C	180890	MAGNET ASM-SELECT
21	244	SCREW-MAG COIL MTG
22	478	NUT-TERMINAL
23	3500	SCREW-TERM BLK MTG
24	7341	NUT-ARMATURE ADJUST
25	9667	BLOCK-TERMINAL
26	17514	WASHER-TERMINAL NUT
27	23814	SCREW-LEVER BRKT MT
28	46219	NUT-ARMATURE LOCK
29	105047	WASHER-TERM NUT
30	122436	JUMPER-BRAES
31	131543	SPRING-ARMATUREL
32	133497	SCREW-ARM PIVOT PIN
33	148056	ARMATURE-MATCH PKT
34	166872	BRACKET-LATCH LEVER
35	166874	RESIDUAL-ARMATURE
36	180884	PIN-ARMATURE PIVOT
C1	148061	ARMATURE ASM-FRONT
C2	166871	COIL ASM-MAGNET
C3	180892	YOKE ASM-MAGNET

REF. NO.	PART NO.	PART NAME
D	149787	SHAFT ASM-REJECT CAM
38	29980	PIN-GEAR TAPER
39	22867	PIN-ROLL TAPER
40	149782	SHAFT-REJ CAM FD RL
41	151231	PIN-CAM TAPER
42	166697	ROLL-REJ CAM FEED
43	166699	CAM-REJECT MAGNET
44	166708	GEAR-REJ CAM FD RL
E	178320	SHAFT ASM-INT FD RL
46	52905	WASHER-BRG RETAIN
47	166727	RING-FEED ROLL LOCK
48	166935	SHAFT-FEED ROLL
E1	234719	ROLL ASM-BRG AND
49	139919	BEARING-FEED ROLL
50	166726	ROLL-FEED
F	280533	ROLL ASM-FEED
52	29980	PIN-TAPER
53	101181	PIN-TAPER
54	141947	ROLL-FEED
55	166808	GEAR-FEED ROLL
56	167041	GEAR-FEED ROLL
G	178322	PLATE ASM-GEAR AND
57	10109	WASHER-IDLER GEAR
58	10574	NUT-IDLER GEAR MTG
G1	166716	PLATE ASM-IDLER CR
G2	178321	GEAR ASM-IDLER
59	141591	BEARING-IDLER GEAR
60	166719	GEAR-IDLER
H	117180	LEVER ASM-READ CARD
62	196698	SCREW-READ CD LEVER
63	23096	PIN-TAPER
64	163899	WASHER-CARD LEVER
65	180365	LEVER-CARD
66	167049	SUPPORT-CARD LEVER
H1	166907	SHAFT ASM-CARD LEV
J	180886	LEVER ASM-SFL MAG
K	180889	LEVER ASM-SEL MAG
I	178340	HOUSING ASM-BRG AND
67	142459	BEARING-OILITE
L1	104947	HOUSING ASM-BEARING

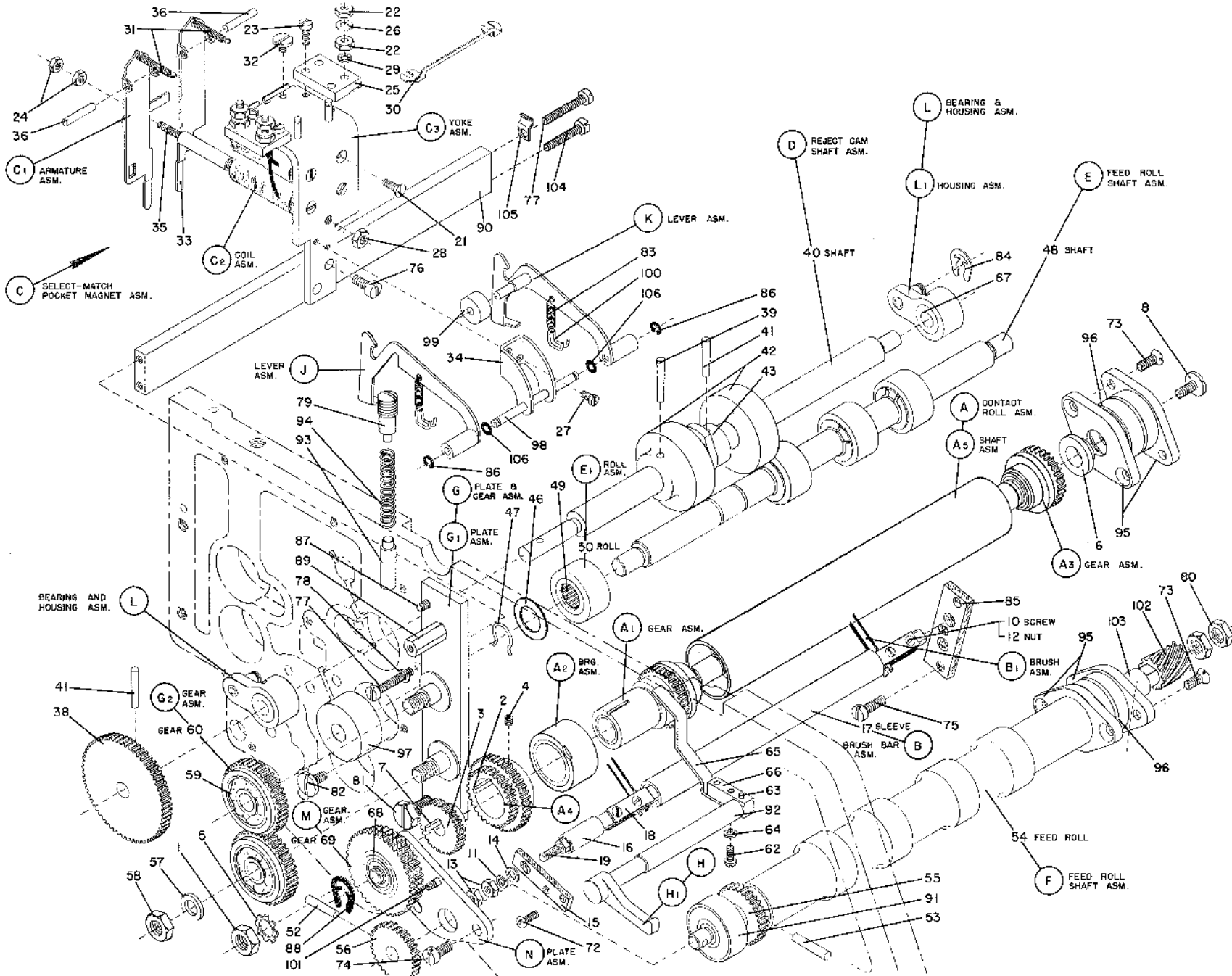
REF. NO.	PART NO.	PART NAME
M	182856	GEAR ASM-BRG AND
68	25248	BEARING
69	159343	GEAR-IDLER
N	180363	PLATE ASM-IDLE GEAR
PARTS NOT SHOWN ON SUB ASSEMBLIES		
72	72	SCREW-COM BR HOLD
73	99	SCREW-RETAINER MTG
74	232	SCREW-IDLER PLATE
75	232	SCREW-BRUSH BAR BKG
76	443	SCREW-MAG ASM MTG
77	2032	SCREW-REF MAG BAR
78	6318	WASHER-MTG SCREW
79	13114	SCREW-PRES ROLL ADJ
80	15616	NUT-FC ROLL DR GEAR
81	36844	SCREW-IDLE PLTE MTG
82	50104	SCREW-CONT ROLL BRG
83	52107	SPRING-CAM LEVER
84	60488	CLIP-BRG HSG SPRING
85	120238	BLOCK-COM BRUSH MTG
86	123206	CLIP-SEL MAG SHAFT
87	127304	PIN-IDLE PLTE DOWEL
88	139766	CLIP-IDLER GR SPRING
89	159202	STUD-CR GUARD SUPP
90	166853	BAR-REF MAGNET MTG
91	166897	BEARING-FEED ROLL
92	166908	SUPPORT-CARD LEVER
93	166914	STUD-PRES ROLL ADJ
94	167052	SPRING-FD ROLL COMP
95	167098	RETAINER-FD RL BRG
96	167139	BEARING-FD RL REAR
97	167175	BUSHING-INT RL SHFT
98	180885	PIN-CAM LEVER
99	180887	ROLLER-CAM
100	180891	ANCHOR-CAM LEV SPR
101	195309	PIN-IDLER PL DOWEL
102	218970	GEAR-SEC SPIRAL
103	218971	SPACER-SPIRAL GEAR
104	641	SCREW-MAGNET BAR MTG
105	190351	CLIP-OIL TURE
106	45616	SPACER-CAM LEVER



JULY 15, 1954

FIG. 077-5

PAGE 13



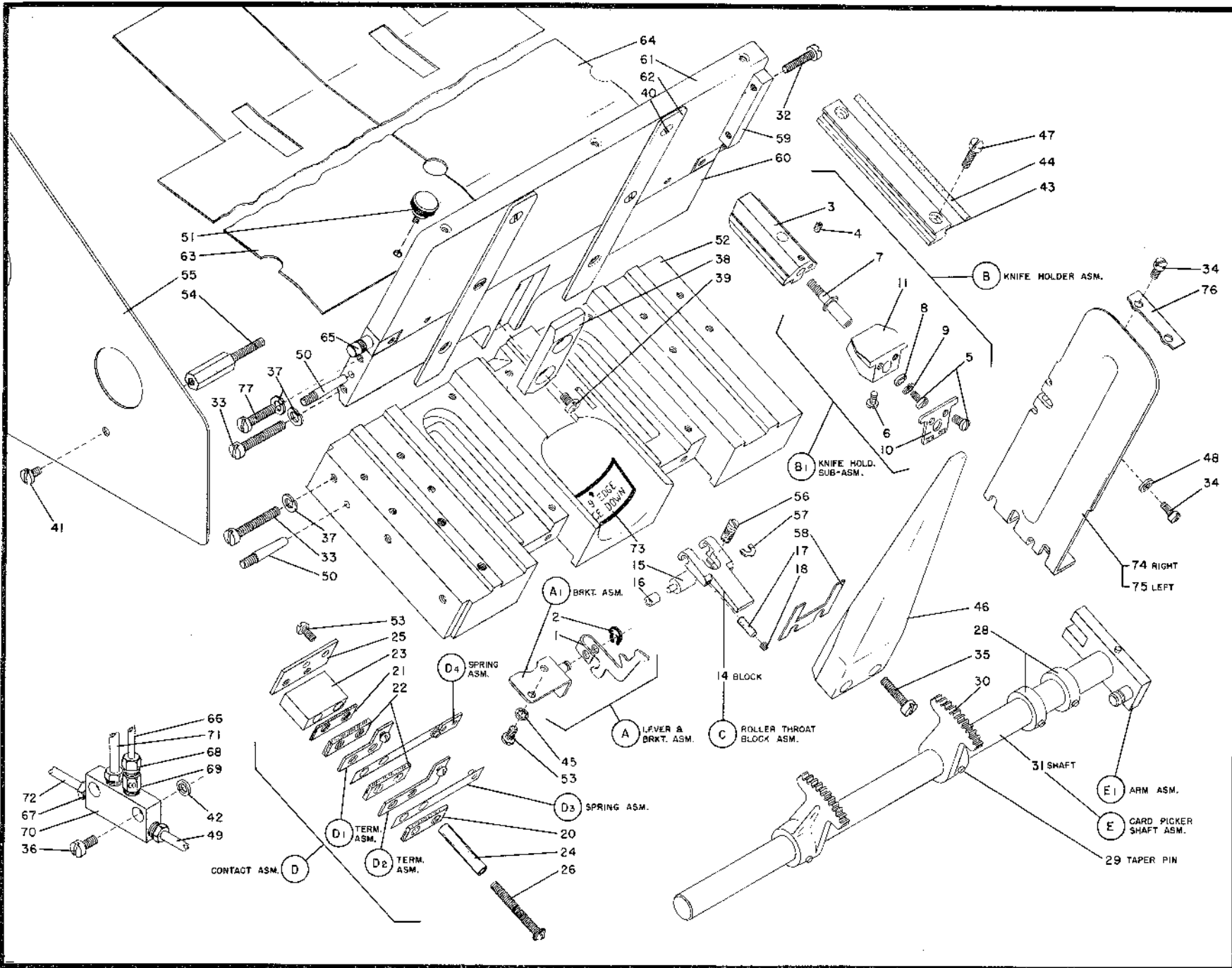
SEC. CONTACT ROLL & SELECT MAGNET ASM'S



JULY 15, 1954

PRIMARY CARD MAGAZINE

FIG. 077-6



REF. NO.	PART NO.	PART NAME	REF. NO.	PART NO.	PART NAME	REF. NO.	PART NO.	PART NAME
A	107797	CONTACT ASM-CARD LV	F	178340	HOUSING ASM-BRG AND	33	29579	SCREW-BRG COVER MTG
1	11900	INSULATION-CONTACT	15	142459	RFAPING-OILITE	34	53370	SPACER-OIL JCT MTE
2	100134	INSULATION-SCREW	11	104847	HOUSING ASM-BEARING	35	60485	CLIP-HOUSING SPRING
3	166920	BRACKET-CD LEV CDNT				36	121461	TUBE-OIL TAIL
4	173207	SCREW-CONTACT MTG	G	182397	ROLL ASM-FEED	37	121471	TUBE-OIL TAIL
A1	24957	TERMINAL ASM-CONT	17	22867	PIN-GEAR TAPER	38	123206	CLIP-CD LEV SPRING
A2	106120	TERMINAL ASM-CONT	18	167045	GEAR-FEED ROLL	39	166897	BEARING-FEED ROLL
A3	139724	SPRING ASM-CONTACT	19	249223	ROLL-FEED	40	166962	COVER-FC ROLL BRG
A4	139725	SPRING ASM-CONTACT				41	167082	PIVOT-CARD LEVER
B	134112	LEVER ASM-CARD	H	182939	ROLL ASM-PRESSURE	42	167098	RETAINER-BEARING
			20	29980	PIN-GEAR TAPER	43	167109	BRACKET-UPPER PRESS
			21	167041	GEAR-PRESSURE	44	167113	RETAINER-FEELT
			22	249028	ROLL-PRESSURE	45	167139	BEARING-F ROLL REAR
C	166918	CONTACT ASM-CD LEV				46	167233	SHOE-PRESSURE
8	5077	INSULATION-CONTACT	PARTS NOT SHOWN ON SUB ASSEMBLIES			47	167241	SPRING-PRESS SHOE
9	11899	INSULATION-CONTACT				48	167429	FELL-SHOE LUBRICATE
10	11900	INSULATION-CONTACT	24	99	SCREW-RETAINER MTG	49	190277	BUSHING-COMPRESSION
11	100759	INSULATION-SCREW	25	38383	SCREW-OIL JCT MTG	50	190278	PLUG-CLOSURE
12	106318	BRACKET-CONTACT MTG	26	641	SCREW-PRES BRKT MTG	51	190279	NUT-COMPRESSION
13	173207	SCREW-CONTACT MTG	27	2032	SCREW-CARD GUIDE MT	52	190360	METER UNIT- "00"
C1	139724	SPRING ASM-CONTACT	28	2629	SCREW-CONTACT MTG	53	190363	JUNCTION-S WAY OIL
C2	139725	SPRING ASM-CONTACT	29	4236	SCREW-CONTACT MTG	54	190375	BRACKET-LOWER PRESS
C3	141964	TERMINAL ASM-CONT	30	15616	NUT-FC ROLL GEAR	55	190388	TUBE-OIL PRESSURE
C4	141965	TERMINAL ASM-CONT	31	15889	CLAMP-CABLE	56	218969	GEAR-PRIMARY SPIRAL
D	166949	GUIDE ASM-LONG CARD	32	23956	SCREW-CARD GUIDE MT	57	218971	SPACER-SPIRAL GEAR
E	167095	GUIDE ASM-SHORT CD						

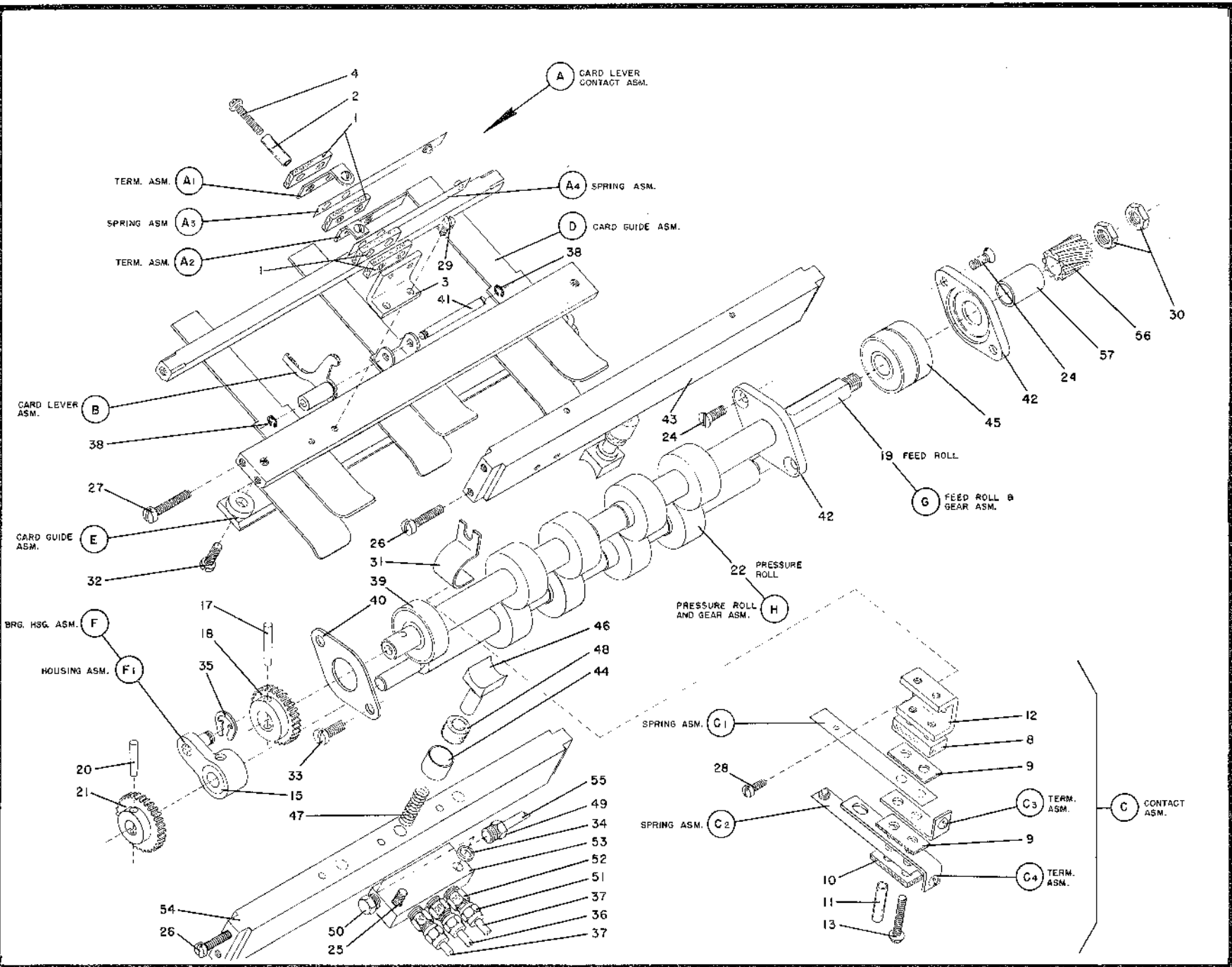
FIGURE 077-7



JULY 15, 1954

FIG. 077-7

PAGE 17



FIRST PRIMARY FEED ROLLS

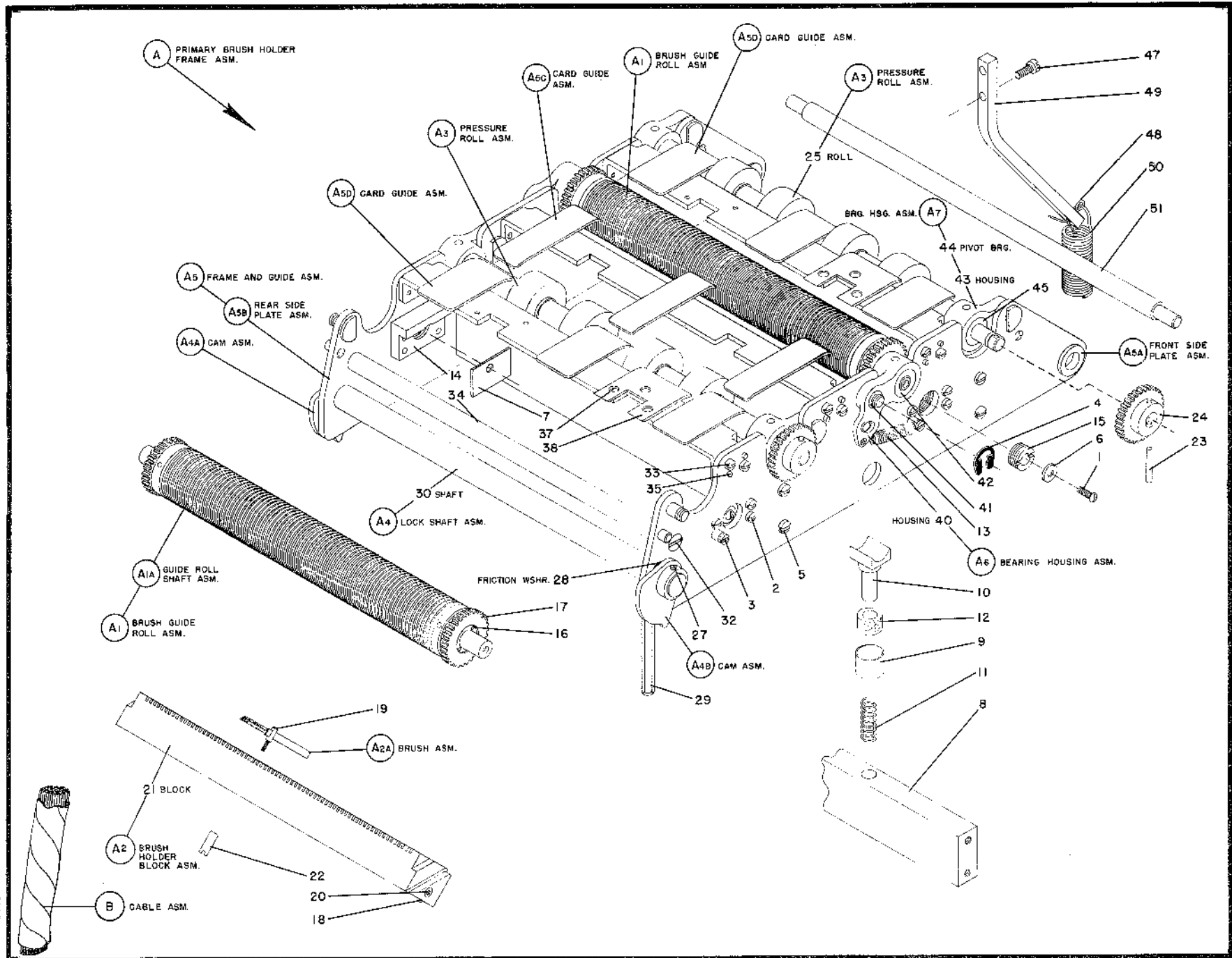
REF. NO.	PART NO.	PART NAME	REF. NO.	PART NO.	PART NAME	REF. NO.	PART NO.	PART NAME
A	280021	FRAME ASM-BR HLDR P	21	120100	BLOCK-BRUSH HOLDER	38	167072	GUIDE-CARD
1	186	SCREW-BRUSH BLK MTC	22	154404	NUT-BRUSH CLAMP SCR			REMAINDER OF THIS ASM NOT
2	3500	SCREW-LDC BLDCK MTC	A2A	207785	BRUSH ASM			SUITABLE FOR BREAKDOWN
3	22587	STUD-SPRING	A3	182768	ROLL ASM-PRESSURE	A6	281067	HOUSING ASM-BRG AND
4	60488	CLIP-SPRING	23	44507	PIN-TAPER	40	142456	HOUSING-BRG
5	108301	SCREW-PRES BRKT MTC	24	167041	GEAR-PRESSURE ROLL	41	142457	BEARING-PIVOT
6	114201	WASHER-BLK MTC SCR	25	249222	ROLL-PRESSURE	42	142459	BEARING-ROLL
7	166648	PLATE-BR HLDR PRESS	A4	182807	SHAFT ASM-HOLD LOCK	A7	281068	HOUSING ASM-BRG AND
8	167108	BRACKET-PRESS ROLL	27	44507	PIN-CAM TAPER	43	142455	HOUSING-BRG
9	167113	RETAINFR-SHOE FELT	28	101805	WASHER-FRICTION	44	142457	BEARING-PIVOT
10	167233	SHOE-PRESSURE	29	166651	HANDLE-LOCK SHAFT	45	142459	BEARING-ROLL
11	167241	SPRING-PRESSURE SHO	30	167416	SHAFT-LOCK CAM	B	167318	CABLE ASM-BR TO CP
12	167429	FELT-PRES SHOE LUB	A4A	166658	CAM ASM-LOCK			
13	167498	SPRING-GUIDE ROLL	A4B	166659	CAM ASM-LOCK			
14	197474	BLOCK-HOLDER LOCATE	A5	280248	GUIDE ASM-FRAME AND			
15	197475	SCREW-BR BLK ALIGN	32	99	SCREW-BR UNIT SUPP			PARTS NOT SHOWN ON SUB ASSEMBLIES
A1	117182	ROLL ASM-BRUSH GDE	33	4236	SCREW-CARD GDE MTC	47	845	SCREW-TENS ARM MTC
16	78605	PIN-GEAR MTC	34	167417	ROD-BR UNIT SUPPORT	48	35868	PIN-COTTER
17	180429	GEAR-SPUR	35	195309	PIN-TAPER	49	156851	ARM-BR UNIT TENSION
A1A	141992	SHAFT ASM-BR COE PL	A5A	142449	PLATE ASM-FRNL SIDE	50	156852	SPRING-TENSION
A2	178779	BLOCK ASM-BRU HOLE	ASB	142450	PLATE ASM-SEAP SIDE	51	166614	SHAFT-BR UNIT PIVOT
18	344	PIN-BUSHING HOLD	ASC	166684	GUIDE ASM-CARD			
19	12970	SCREW-BRUSH CLAMP	ASD	167182	GUIDE ASM-CARD			
20	28767	BUSHING-BLK MTC SCR	37	143349	RIVET-CARC GUIDE			



JULY 15, 1954

FIG. 077-8

PRIMARY BRUSH HOLDER FRAME ASM.



REF. NO.	PART NO.	PART NAME
A	249336	ROLL ASM-PRI CONTACT
1	10574	NUT-CONTACT ROLL
2	117158	GEAR-DRIVEN LEFT
3	117159	KEY-CONTACT ROLL
4	159346	GEAR-SPUR
5	165556	SCREW-LEFT
6	179966	LWASHER-CONT ROLL
7	180355	SPACER-CR SHAFT
8	180364	KEY-CONTACT ROLL
9	50104	SCREW-CONT ROLL BRG
A1	249310	GEAR ASM-CR DRIVE
A2	117156	BEARING ASM-LEFT
A3	249309	GEAR ASM-CR RIGHT
A4	249305	SHAFT ASM-CONT ROLL
B	234083	BAR ASM-PRI BRUSH
11	2118	SCREW-BRUSH MTC
12	6318	LWASHER-BLOCK MTC
13	7341	NUT-BRUSH MTC
14	23931	NUT-BLOCK MTC
15	24521	WASHER-BLOCK MTC
16	166896	BLOCK-BR HOLDER MTC
17	167065	SLEEVE-BR HOLD INSU
18	167488	SLEEVE-BR MTG BAR
19	223532	FOLDER-COM BRUSH

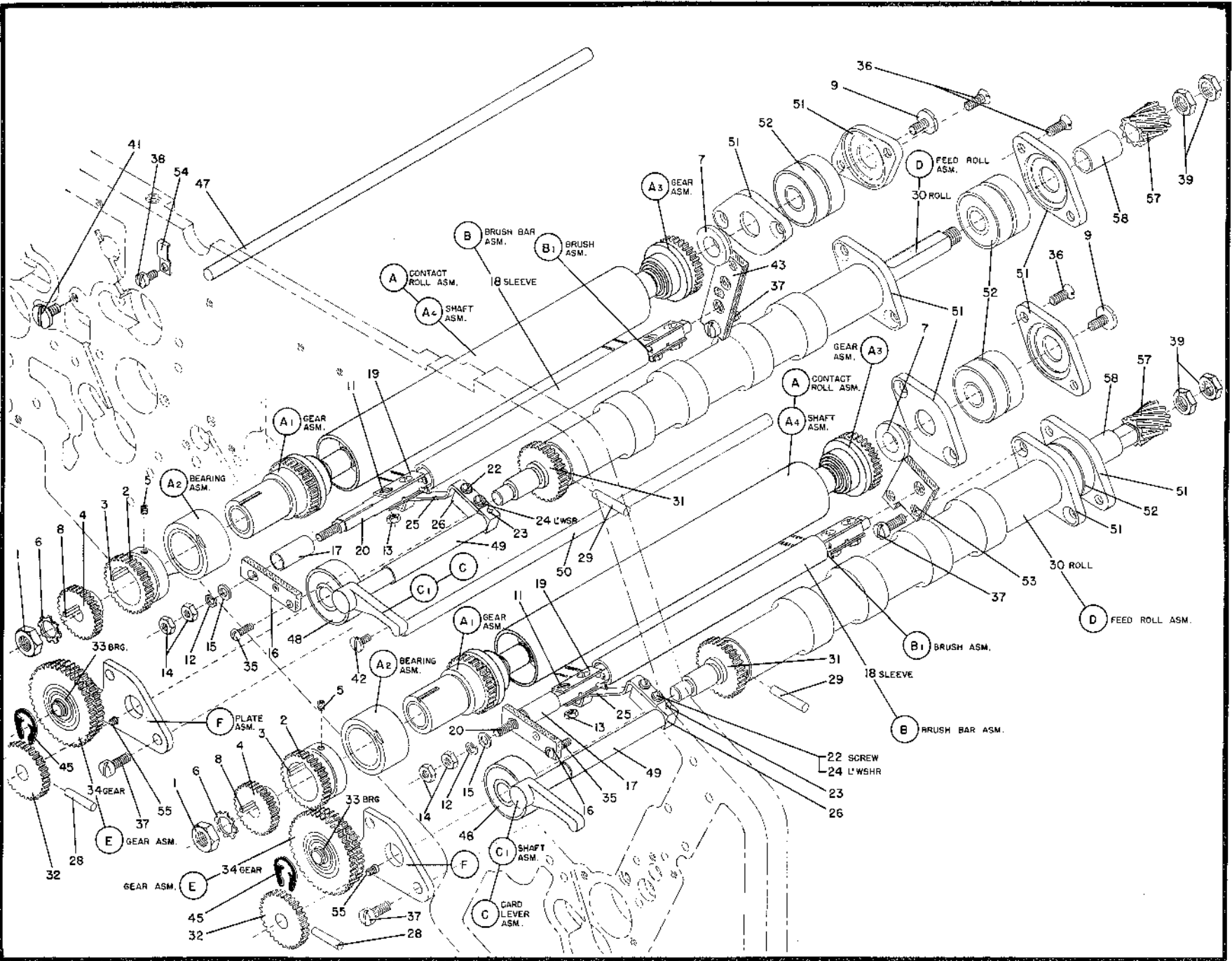
REF. NO.	PART NO.	PART NAME
20	223533	BAR-COM BRUSH MTC
B1	1769	BRUSH ASM
C	117181	LEVER ASM-PFAD CARD
22	196698	SCREW-LEVER MTC
23	23096	PIN-TAPER
24	163899	LWASHER-LEVER MTC
25	180366	LEVER-CARD
26	167049	SUPPORT-CARD LEVER
C1	166906	SHAFT ASM-CARD LEV
D	280533	ROLL ASM-FEED
28	29980	PIN-TAPER
29	101181	PIN-TAPER
30	141947	ROLL-FEED
31	166808	GEAR-FEED ROLL
32	167041	GEAR-FEED ROLL
E	182858	GEAR ASM-IDLER
33	25242	BEARING-IDLER GEAR
34	159343	GEAR-IDLER
F	180362	PLATE ASM-IDLE GEAR

REF. NO.	PART NO.	PART NAME
PARTS NOT SHOWN ON SUB ASSEMBLIES		
35	72	SCREW-COM BR HLDR
36	99	SCREW-RETAINER MTC
37	232	SCREW-MTC
38	2500	SCREW-CLAMP MTC
39	15616	NUT-FD ROLL CP GEAR
41	50104	SCREW-OIL TUBE RET
42	113707	SCREW-SUPPORT ROD
43	120238	BLOCK-COMMON BR MTC
45	139766	CLIP-SPRING
47	166655	ROD-BR HOLD LOCKING
48	166897	BEARING-FEED ROLL
49	166908	SUPPORT-CARD LEVER
50	166986	ROD-DUST PLATE SUPP
51	167098	RETAINER-BEARING
52	167139	BEARING-FEED ROLL
53	180356	BLOCK-BR BAR MTC
54	190352	CLAMP-OIL TUBE
55	195309	PIN-TAPER
57	218969	GEAR-PPI SPIRAL
58	218971	SPACER-FD RL GEAR



JULY 15, 1954

FIG. 077-9



PRIMARY CONTACT ROLL ASM'S.

REF. NO.	PART NO.	PART NAME	REF. NO.	PART NO.	PART NAME	REF. NO.	PART NO.	PART NAME
A	167091	GUIDE ASM-LONG CARD	5	28616	SCREW-SLIDE ASM MTG	14	166830	PLATE-CD GUIDE LOW
B	175218	GUIDE ASM-FIX CARD	6	175225	SPRING-COMPRESSION	15	166831	ROD-CD GUIDE SPACER
C	175229	BLOCK ASM-GUIDE MTG	E1	175222	SLIDE ASM-LOCK	16	166832	PLATE-CD GUIDE UPR
D	221710	GUIDE ASM-REMOVE CO	E2	175224	SLIDE ASM-LDCK	17	166834	SPACER-SHORT
1	255731	SCREW-SLIDE ASM MTG	E3	219838	PLATE ASM-GUIDE	18	166835	SPACER-LDNG
2	175225	SPRING-COMPRESSION	PARTS NOT SHOWN ON SUB ASSEMBLIES			19	166836	PLATE-REAR SIDF
D1	175222	SLIDE ASM-LH LOCK	10	2032	SCREW-CARD GUIDE MT	20	166837	PLATE-FRONT SIDE
D2	175224	SLIDE ASM-RH LOCK	11	25593	SCREW-GUIDE BLK MTG	21	221718	STUD-CD GUIDE LOCK
D3	221712	PLATE ASM-GUIDE	12	104173	SCREW-GUIDE BLK MTG	22	1413	SCREW-CARD GUIDE MT
E	221719	GUIDE ASM-MERGE CO	13	166829	ROD-CARD GUIDE TIE	23	110286	SCREW-BRACE BAR MTG
						24	122856	PIN-SUPT BAR DOWEL
						25	166725	BAR-FRONT FD BRACE

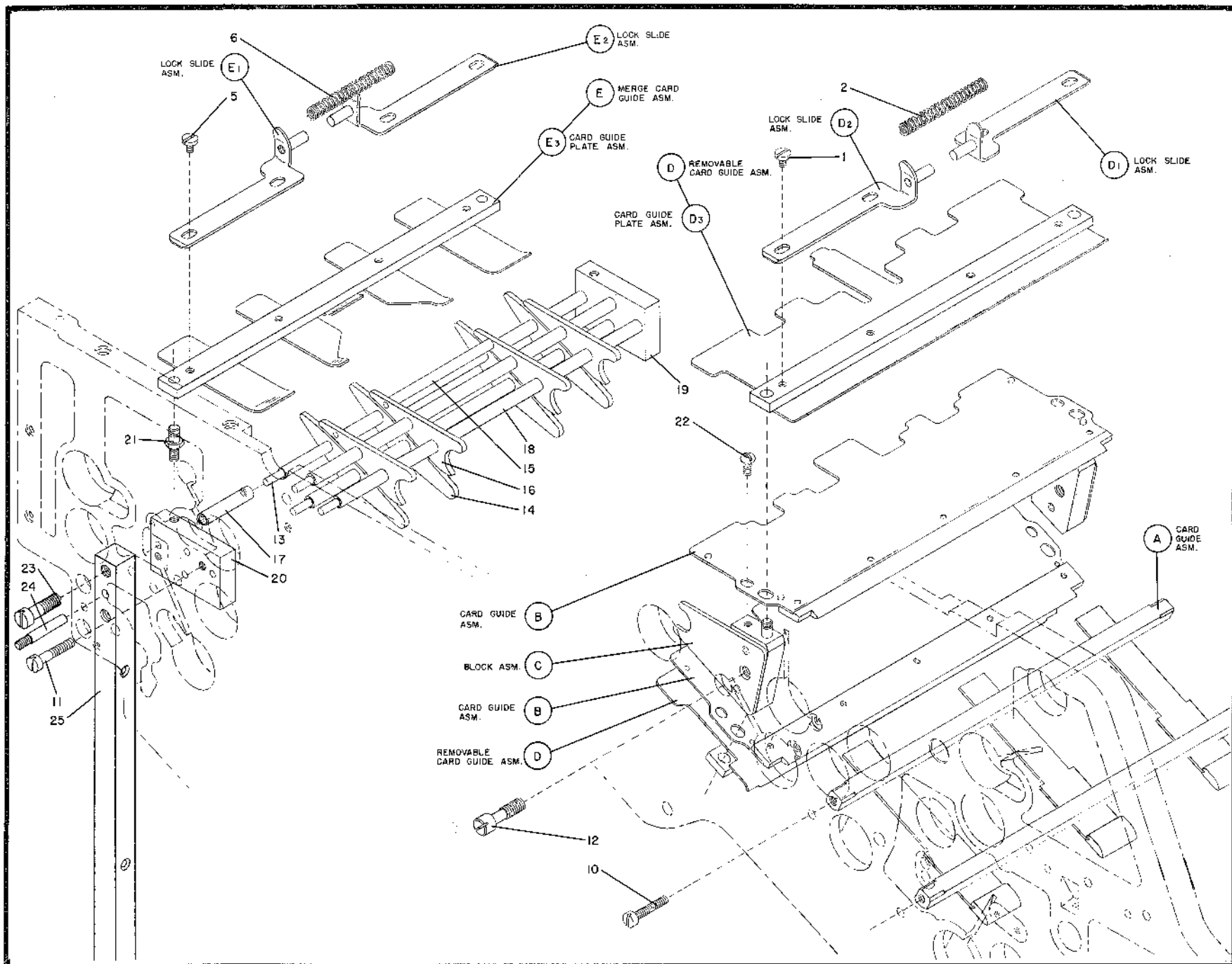
FIGURE 077-10



JULY 15, 1954

CARD GUIDE ASSEMBLIES

FIG. 077-10



REF. NO.	PART NO.	PART NAME
A	159226	MAGNET ASM-PRI SEL
1	227	WASHER-TERMINAL NUT
2	244	SCREW-COIL MTG
3	478	NUT-TERMINAL
4	3500	SCREW-TERM BLK MTG
5	7341	NUT-ARMATURE ADJUST
6	9667	BLOCK-TERMINAL
7	23814	SCREW-LEVER BRKT MT
8	46219	NUT-ARM RESIDUAL MT
9	131543	SPRING-ARMATURE
10	133497	SCREW-ARM PIVOT PIN
11	148057	ARMATURE-SEL MAGNET
12	166872	BRACKET-LATCH LEVER
13	166874	RESIDUAL-ARMATURE
14	180884	PIN-ARMATURE PIVOT
A1	166871	COIL ASM-MAGNET
A2	180892	YOKE ASM-MAGNET
B	159227	LEVER ASM-CAM

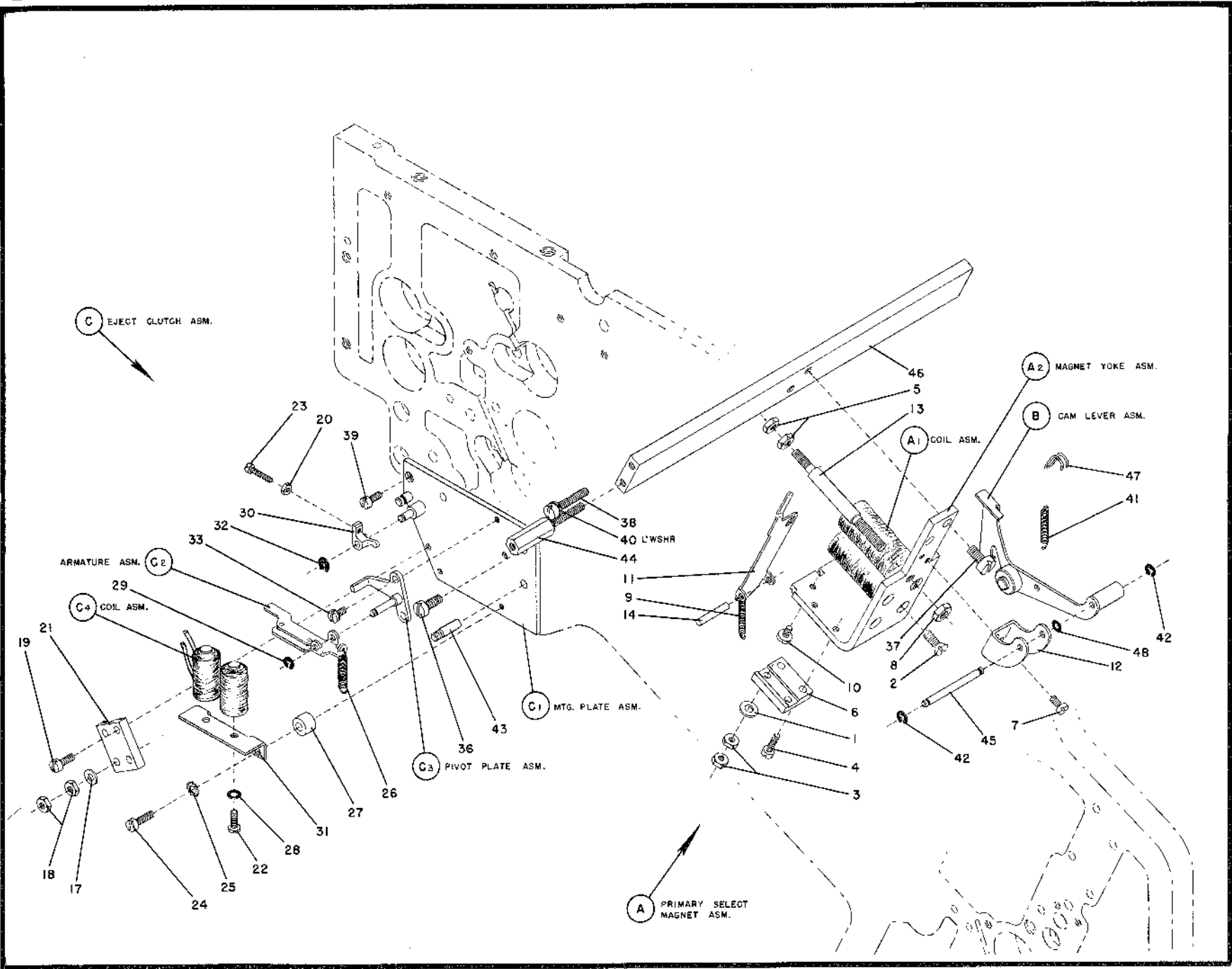
REF. NO.	PART NO.	PART NAME
C	182449	CLUTCH ASM-EJECT
17	227	WASHER-TERM BLOCK
18	478	NUT-TERMINAL BLOCK
19	3500	SCREW-TERM BLK MTG
20	8506	NUT-KNOCKOFF ADJUST
21	9667	BLOCK-TERMINAL
22	23854	SCREW-COIL MTG
23	38255	SCREW-KNOCKOFF ADJ
24	52607	SCREW-COIL YOKE MTG
25	56722	LWASHER-YOKE MTG
26	58853	SPRING-ARMATURE
27	68730	SPACER-YOKE MTG
28	105047	LWASHER-COIL MTG
29	123206	CLIP-ARM SPRING
30	123439	KNOCKOFF-ARMATURE
31	123536	YOKE-CLUTCH
32	147297	CLIP-KNOFF SPRING
33	189843	SCREW-PIVOT PLATE
C1	180854	PLATE ASM-MOUNTING
C2	180859	ARMATURE ASM

REF. NO.	PART NO.	PART NAME
C3	180861	PLATE ASM-PIVOT
C4	180995	COIL ASM-CLIP AND
PARTS NOT SHOWN ON SUB ASSEMBLIES		
36	443	SCREW-EJ CLUTCH MTG
37	443	SCREW-SEL MAG MTG
38	2032	SCREW-MAG BAR MTG
39	2629	SCREW-EJ CLUTCH MTG
40	6318	LWASHER-MAG BAR MTG
41	52107	SPRING-CAM LEVER
42	123206	CLIP-CAM LEV SPRING
43	127304	PIN-EJ CLUTCH DOWEL
44	159204	STUD-ED GEAR GUARD
45	159228	PIN-PRI SEL CAM LEV
46	166853	BAR-SELECT MAG MTG
47	180891	ANCHOR-CAM LEV SPR
48	45616	SPACER-CAM LEVER



JULY 15, 1954

FIG. 077-11



EJECT CLUTCH & SELECT MAGNET ASMS

REF. NO.	PART NO.	PART NAME
A	167402	SHAFT ASM-FD RL OUT
1	103895	SCREW-OIL HOLE
2	167397	SHAFT-FEED ROLL OUT
3	167428	BEARING-FEED ROLL
B	182756	SHAFT ASM-PRES ROLL
4	4327	PIN-TAPER
5	167378	GEAR-SMALL FD ROLL
6	167379	GEAR-LARGE FD ROLL
B1	167393	SHAFT ASM-PRES ROLL
C	182757	SHAFT ASM-FD RL IN
7	14464	PIN-TAPER
8	167380	GEAR-CLUTCH DRIVE
9	167390	SHAFT-FD ROLL INNER
D	282140	HOUSING ASM-BRG AND BEARING
11	167400	BEARING
D1	167383	HOUSING ASM-BRG
E	178340	HOUSING ASM-BRG AND BEARING
13	142459	BEARING
E1	104847	HOUSING ASM-BRG
F	149786	SHAFT ASM-EJECT RL
15	22867	PIN-ROLL TAPER
16	29980	PIN-GEAR TAPER
17	149782	SHAFT-EJECT ROLL
18	151231	PIN-CAM TAPER
19	166697	ROLL-EJECT CAM FEED

REF. NO.	PART NO.	PART NAME
20	166699	CAM-EJECT MAGNET
21	166705	GEAR-EJECT ROLL
G	149964	BRACKET ASM-COV SUP
H	166758	LEVER ASM-EJ CLUTCH
J	166819	ARM ASM-DETENT
K	167077	GEAR ASM-EJ CLUTCH
L	180852	LEVER ASM-LATCH
M	180857	LATCH ASM-EJ CLUTCH
PARTS NOT SHOWN ON SUB ASSEMBLIES		
25	99	SCREW-BRG RETAINER
26	443	SCREW-OIL JUNCT MTG
27	10574	NUT-FD ROLL GEAR
28	13114	SCREW-PRES ROLL ADJ
29	16272	WASHER-EJ CLU STUD
30	18243	WASHER-PKT COV FELT
32	26516	SPRING-CLU KO LEVER
33	35148	SPRING-CLUTCH DOG
34	37073	LWASHER-STUD MTG
35	37073	LWASHER-COVER BRKT
36	53370	SPACER-OIL JCT MTG

REF. NO.	PART NO.	PART NAME
37	54926	SCREW-COVER BRKT MT
38	60488	CLIP-BRG HSG SPRING
39	60489	CLIP-STUD SPRING
41	121408	TUBE-OIL PRESSURE
42	121461	TUBE-OIL TAIL
43	121471	TUBE-OIL TAIL
44	121476	TUBE-OIL TAIL
45	121521	SCREW-COMB GEAR SET
46	138078	SPRING-EJECT ARM
47	141404	SPRING-CLUTCH LATCH
48	160017	NUT-STUD MTG
49	166755	STUD-EJECT CLUTCH
50	166756	STUD-CLUTCH LATCH
51	166897	BFARING-FEED ROLL
52	166914	STUD-PRESS ROLL ADJ
53	167052	SPRING-FD ROLL COMP
54	167098	RETAINER-FD POL BRG
55	167139	BEARING-FD ROL RFAR
56	167377	GEAR-COMBINATION
57	167382	SPACER-FD ROLL SHFT
58	190262	TUBE-OIL TAIL
59	190269	TUBE-OIL TAIL
60	190275	METER UNIT-NO 0
61	190277	BUSHING-OIL COMPRES
62	190278	PLUG-CLOSURE
63	190279	NUT-COMPRESSION
64	190283	JUNCTION-8 WAY OIL
65	190398	TUBE-OIL TAIL
67	166996	STUD-COVER LOCATING

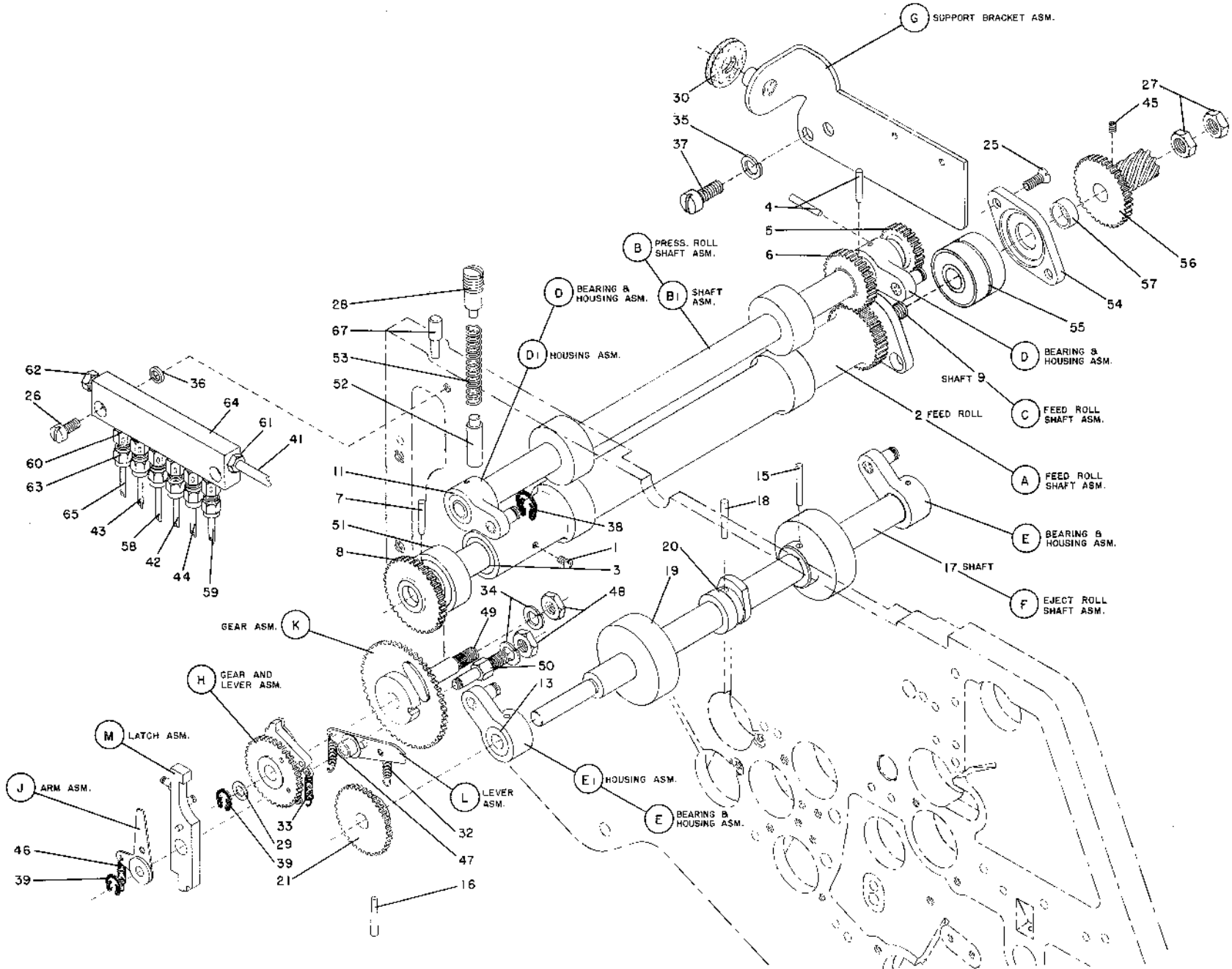


JULY 15, 1954

FIG. 077-12

PAGE 27

FIRST POCKET FEED ROLLS



REF. NO.	PART NO.	PART NAME
A	167385	SHAFT ASM-PRES ROLL
1	4327	PIN-TAPER
2	*	ROLL-CARD FEED
3	167378	GEAR-SMALL SPUR
4	167379	GEAR-FD ROLL SHAFT
5	*	SHAFT-PRESSURE ROLL
B	167386	SHAFT ASM-PRES ROLL
6	4327	PIN-TAPER
7	*	ROLL-CARD FEED
8	167332	COLLAR-FD ROLL SHFT
9	167378	GEAR-FD ROLL SPUR
10	*	SHAFT-PRESSURE ROLL
C	167120	PLATE ASM-BRG SUPRT
12	58325	STUD-SPRING
13	166887	STUD-COVER SNAP
14	167051	PLATE-BEARING SUPRT
D	167120	PLATE ASM-BRG SUPRT
16	58325	STUD-SPRING
17	134873	PLATE-BEARING SUPRT
E	281138	HOUSING ASM-BRG AND
19	167400	BEARING-PRES ROLL
E1	166990	HOUSING ASM-PRES RL
F	281139	HOUSING ASM-BRG AND
20	167400	BEARING-PRES ROLL
F1	167401	HOUSING ASM-PRES RL

REF. NO.	PART NO.	PART NAME
PARTS NOT SHOWN ON SUB ASSEMBLIES		
22	72	SCREW-STACK PLTE MT
23	92	SCREW-STACK PLTE MT
24	92	SCREW-OIL CLIP MTG
25	443	SCREW-OIL JUNCT MTG
26	2031	SCREW-SUPPORT BAR
27	52607	SCREW-BLADE COV MTG
28	10149	SUPPORT-CARD DEFLTR
29	18491	SCREW-CARD DEFL MTG
30	2629	SCREW-BLADE COV MTG
31	53370	SPACER-OIL JUNCTION
32	60488	CLIP-BRG HSG SPRING
33	101338	SPRING-FD ROLL PRES
34	101570	SPACER-STACK PLATE
35	102092	NUT-STACK PLATE MTG
36	105047	LWASHER-BLADE COVER
37	121476	TUBE-OIL TAIL
38	121485	TUBE-OIL TAIL
39	127702	SCREW-BRG SUPPRT MT
40	154586	PLATE-STACKER
41	154630	SPRING-AUX STACKER
42	156863	TUBE-OIL TAIL
43	156866	TUBE-OIL TAIL
44	166889	STUD-COVER SUPPORT
45	166984	STRIP-BLADE COVER
46	166985	BAR-BLDE COV SUPPRT

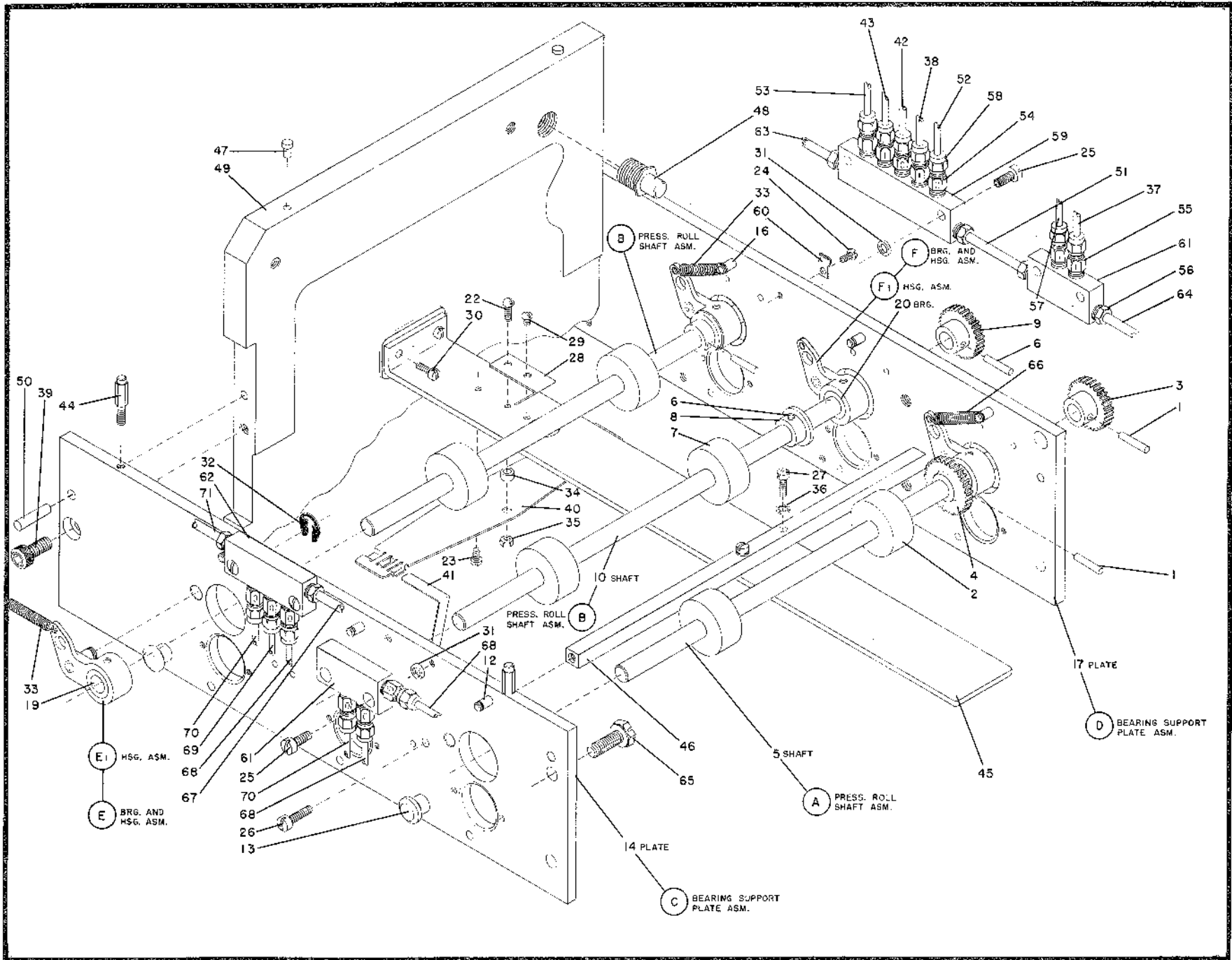
REF. NO.	PART NO.	PART NAME
47	167046	STUD-LEFT COV LOC
48	167047	SCREW-JGG PLATE PIV
49	167119	PLATE-LEFT END
50	173700	PIN-RL BRG SUP TAPR
51	190250	TUBE-OIL PRESSURE
52	190261	TUBE-OIL TAIL
53	190272	TUBE-OIL TAIL
54	190275	METER UNIT- "0" OIL
55	190276	METER UNIT- "1" OIL
56	190277	BUSHING-COMPRESSION
57	121476	TUBE-OIL TAIL
58	190279	NUT-COMPRESSION
59	190282	JUNCTION-7 WAY OIL
60	190351	CLIP-OIL TUBE
61	190362	JUNCTION-4 WAY OIL
62	190363	JUNCTION-5 WAY OIL
63	190384	TUBE-OIL PRESSURE
64	190389	TUBE-OIL PRESSURE
65	38688	SCREW-BRG PLATE MTG
66	14781	SPRING-NO 2 POCKET
67	101907	TUBE-OIL PRESSURE
68	121461	TUBE-OIL TAIL
69	121464	TUBE-OIL TAIL
70	190259	TUBE-OIL TAIL
71	190393	TUBE-OIL PRESSURE

*DO NOT ORDER COMPONENTS UNLESS PART NUMBER IS GIVEN



JULY 15, 1954

FIG. 077-13



POCKET PRESSURE ROLL ASM'S

REF. NO.	PART NO.	PART NAME
A	167388	SHAFT ASM-FEED ROLL
1	4327	PIN-TAPER
2	*	ROLL-CARD FEED
3	167379	GEAR-FEED ROLL SHFT
4	*	SHAFT-FEED ROLL
B	167389	SHAFT ASM-FEED ROLL
5	4327	PIN-TAPER
6	*	ROLL-CARD FEED
7	167332	COLLAR-FEED ROLL
8	*	SHAFT-FEED ROLL
C	167120	PLATE ASM-BRG SUPT
9	58325	STUD-SPRING
10	166887	STUD-COVER SNAP
11	167051	PLATE-BEARING SUPT
D	167128	PLATE ASM-BRG SUPT
12	58325	STUD-SPRING
13	134873	PLATE-BEARING SUPT

REF. NO.	PART NO.	PART NAME
E	167396	SHAFT ASM-STUD
14	60488	CLIP-COMB CR SPRING
15	167377	GEAR-COMBINATION
16	167399	WASHER-THRUST
E1	289403	HOUSING ASM BRG AND
17	103669	BEARING
E1A	176104	HOUSING ASM-STUD
F	219108	HOUSING ASM-BRG AND
18	166955	HOUSING-FD ROLL BRG
19	167400	BEARING-FEED ROLL
G	166980	PARTITION ASM-PDCKT
H	166977	BLADE ASM-NO 1 CHUTE
J	166578	BLADE ASM-NO 2 CHUTE
X	166979	BLADE ASM-NO 3 CHUTE

REF. NO.	PART NO.	PART NAME
----------	----------	-----------

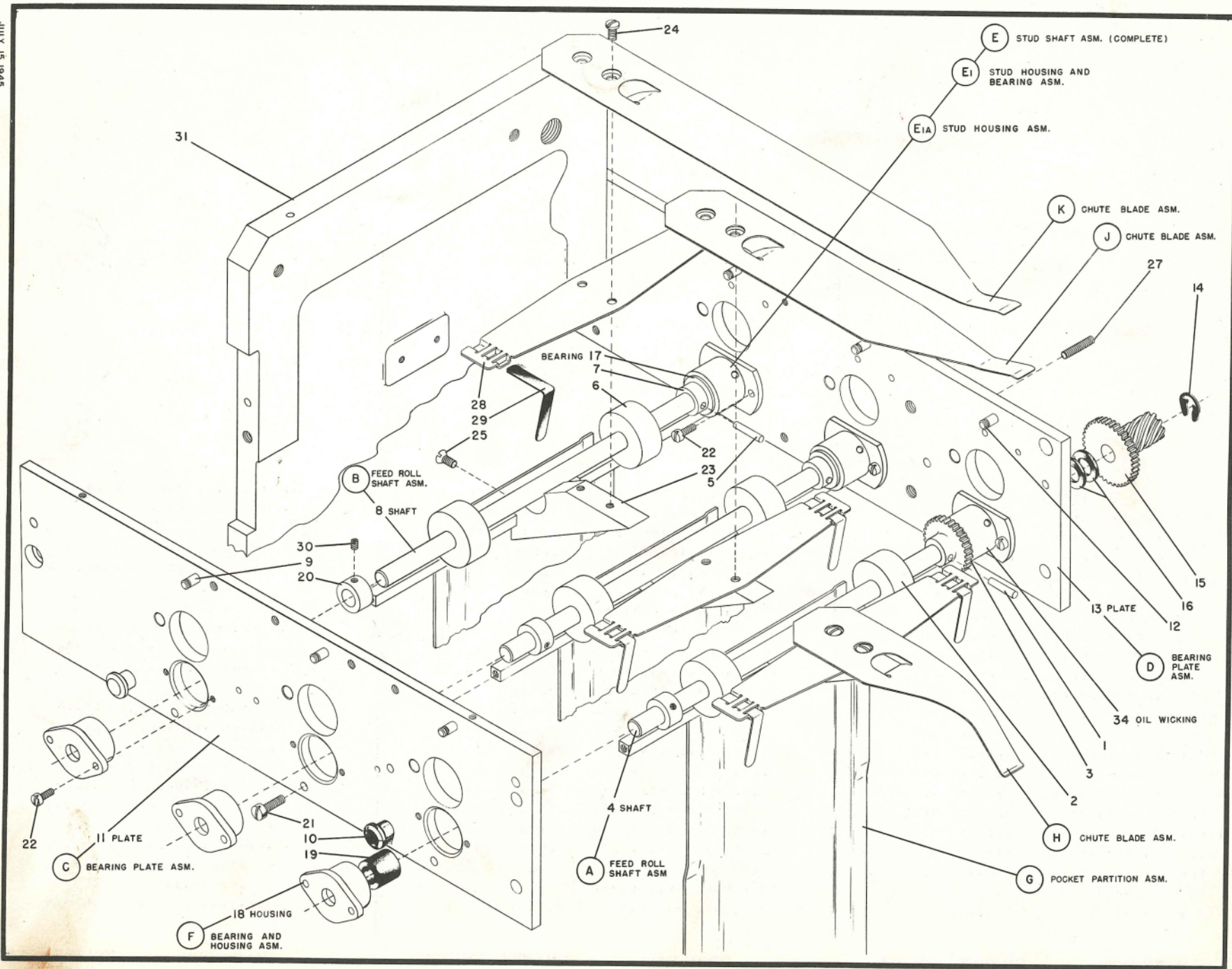
PARTS NOT SHOWN ON SUB ASSEMBLIES

20	1648	COLLAR-FD ROLL SHFT
21	2031	SCREW-PKT PART MTG
22	2629	SCREW-BRG HSG MTG
23	10073	SUPPORT-CHUTE BLADE
24	10170	SCREW-CHUTE BLD MTG
25	38442	SCREW-BLDE SUPP MTG
27	128543	SCREW-PKT PART MTG
28	154586	PLATE-STACKER
29	154630	SPRING-AUX STACKER
30	160942	SCREW-COLLAR SET
31	167115	PLATE-LEFT ENC
34	167476	WICKING-SHAFT OIL

*DO NOT ORDER COMPONENTS UNLESS PART NUMBER IS GIVEN

FIG. 077-14

POCKET FEED ROLL ASM'S



REF. NO.	PART NO.	PART NAME
A	282382	TUBE ASM-STACKER
1	45653	WASHER-STACKER
2	60489	CLIP-PLUNGER ROD
3	166722	SPRING-STACKER
4	166723	WASHER-RETAINER
5	166724	ROD-PLUNGER
6	166770	ANCHOR-STKR SPRING
7	166774	WASHER-LEATHER
8	167050	SPRING-INNER STKR
A1	166757	TUBE ASM-STACKER
A2	166767	TUBE ASM-GUIDE
B	159821	CONTACT ASM-PKT STP
C	167146	SHAFT ASM-PKT STOP

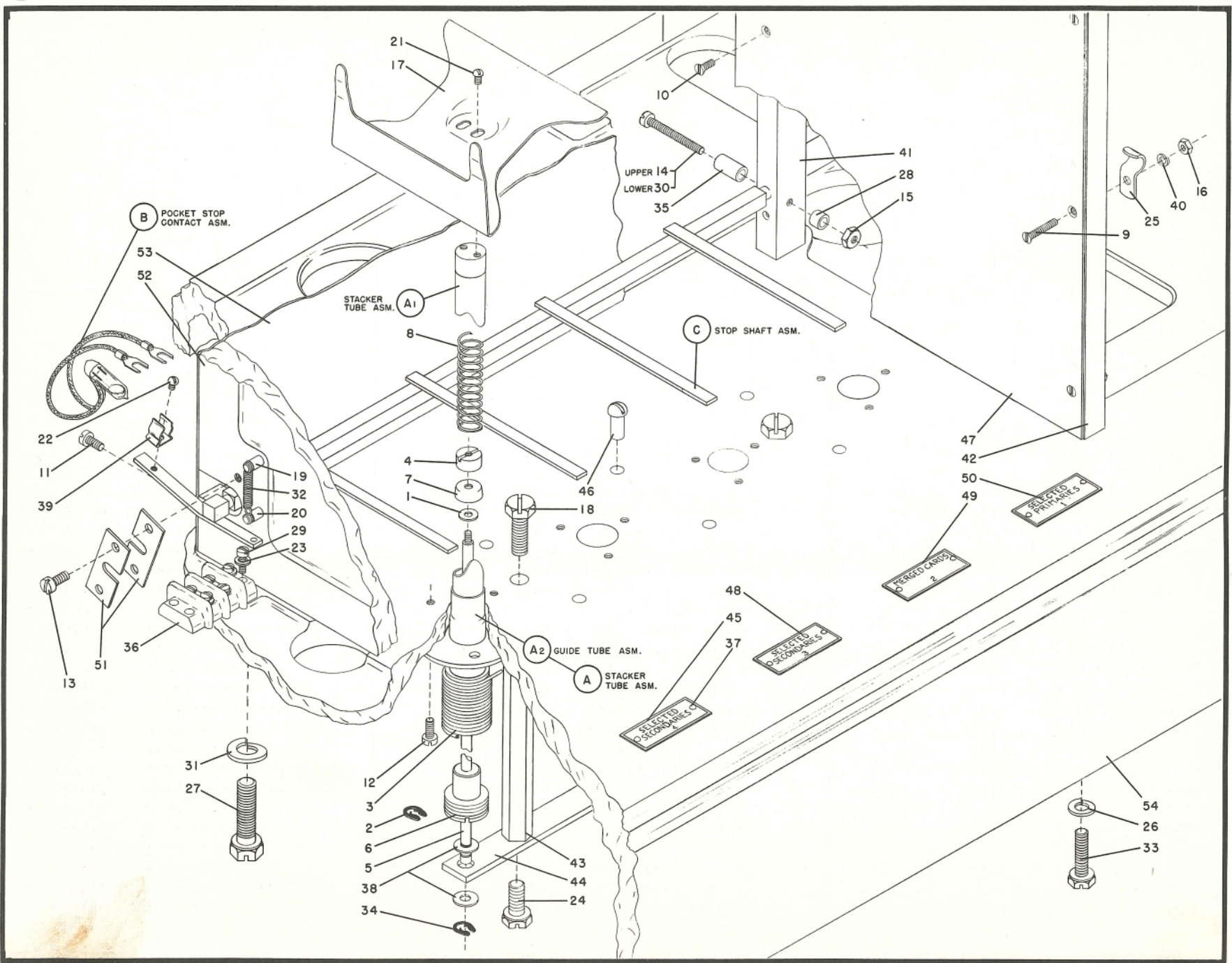
PARTS NOT SHOWN ON SUB ASSEMBLIES

9	127	SCREW-PKT SIDE MTG
10	194	SCREW-PKT SIDE MTG

REF. NO.	PART NO.	PART NAME
11	337	SCREW-BACK PLATE MT
12	337	SCREW-STKR TUBE MTG
13	443	SCREW-STOP SHFT BRG
14	2032	SCREW-BACK PLATE MT
15	2899	NUT-BR UNIT TENS SP
16	7341	NUT-PKT SIDE MTG
17	10060	PLATE-CARD STACKER
18	10303	SCREW-STKR SUP POST
19	17413	STUD-RETURN SPRING
20	17413	STUD-STOP
21	18491	SCREW-STKR PLATE MT
22	19476	SCREW-CLIP MTG
23	20038	WASHER-TERM BLK MTG
24	25121	SCREW-STKR SUPT MTG
25	31641	CLAMP-CABLE
26	37073	LWASHER-BRACE BAR
27	38693	SCREW-END PLATE MTG
28	39836	SPACER-BR UNIT SPR
29	52607	SCREW-TERM BLK MTG
30	52998	SCREW-BR UNIT SPRG
31	55520	LWASHER-FRAME MTG
32	58853	SPRING-STOP SHAFT

REF. NO.	PART NO.	PART NAME
33	59647	SCREW-BRACE BAR MTG
34	60489	CLIP-PLUNG ROD SPR
35	68502	SPACER-BACK PLATE
36	80817	BLOCK-STACKER TERM
37	105792	SCREW-NAME PL DRIVE
38	139572	WASHER-STKR RETAIN
39	159822	CLIP-PKT STOP SWITCH
40	163899	LWASHER-PKT SIDE MT
41	166667	BAR-REAR FEED BRACE
42	166725	BAR-FRONT FD BRACE
43	166766	POST-STKR SUPT BAR
44	166775	BAR-PLUNG ROD SUPT
45	166869	PLATE-4 PKT NAME
46	166912	STUD-PKT GUIDE SUPT
47	166934	SIDE-RH POCKET
48	167002	PLATE-3 PKT NAME
49	167013	PLATE-2 PKT NAME
50	167016	PLATE-1 PKT NAME
51	167118	BEARING-STOP SHAFT
52	167119	PLATE-LEFT END
53	167168	PLATE-POCKET BACK
54	167183	BASE

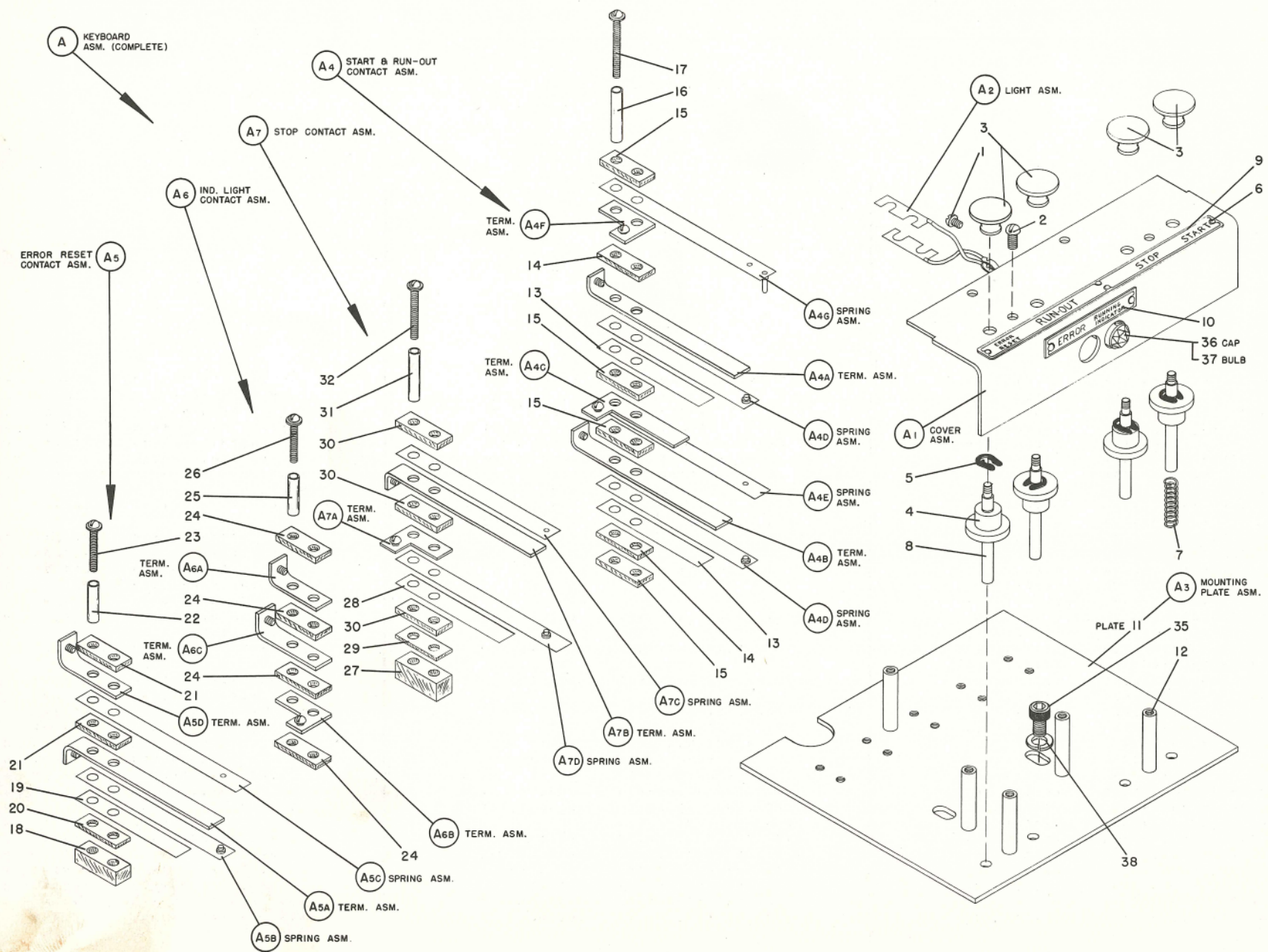
FIG. 077-15



CARD POCKET & STACKER ASM'S

REF. NO.	PART NO.	PART NAME	REF. NO.	PART NO.	PART NAME	REF. NO.	PART NO.	PART NAME
A	103429	KEYBOARD ASM	A4A	1900	TERMINAL ASM-CONT	A6A	5065	TERMINAL ASM-CONT
1	366	SCREW-LIGHT MFG	A4B	2588	TERMINAL ASM-CONT	A6B	138709	TERMINAL ASM-CONT
2	455	SCREW-COVER MFG	A4C	5180	TERMINAL ASM-CONT	A6C	141964	TERMINAL ASM-CONT
3	1964	KEY-START AND STOP	A4D	6287	SPRING ASM-CONTACT	A7	283581	CONTACT ASM-STOP
4	24587	HUB-KEY STEM	A4E	24621	SPRING ASM-CONTACT	27	1502	BLOCK-INSULATION
5	60489	CLIP-SPRING	A4F	138709	TERMINAL ASM-CONT	28	1944	SPRING-AUX CONTACT
6	60937	SCREW-NAME PLATE DR	A4G	159756	SPRING ASM-CONTACT	29	11899	BLOCK-INSULATION
7	131305	SPRING-KEY STEM	A5	283579	CONTACT ASM-ERR RES	30	11900	BLOCK-INSULATION
8	166784	STEM-KEY	18	1902	BLOCK-INSULATION	31	25131	INSULATION-SCREW
9	166857	PLATE-NAME	19	1944	SPRING-AUX CONTACT	32	173214	SCREW-CONTACT MFG
10	214435	PLATE-ERROR NAME	20	11898	BLOCK-INSULATION	A7A	1882	TERMINAL ASM-CONT
A1	103426	COVER ASM-KEY LOCK	21	11900	BLOCK-INSULATION	A7B	1500	TERMINAL ASM-CONT
A2	166856	LIGHT ASM-ERROR	22	133208	INSULATION-SCREW	A7C	6287	SPRING ASM-CONTACT
A3	283577	PLATE ASM-MOUNTING	23	173210	SCREW-CONTACT MFG	A7D	24622	SPRING ASM-CONTACT
11	159775	PLATE-CONTACT MOUNT	A5A	1900	TERMINAL ASM-CONT	PARTS NOT SHOWN ON SUB ASSEMBLIES		
12	166789	STUD-SUPPORT	A5B	6287	SPRING ASM-CONTACT	35	127702	SCREW-KEYBOARD MFG
A4	283578	CONTACT ASM-ST & RO	A5C	24621	SPRING ASM-CONTACT	36	139132	CAP-LIGHT
13	1944	SPRING-AUX CONTACT	A5D	141964	TERMINAL ASM-CONT	37	308346	BULB-LIGHT
14	1974	BLOCK-INSULATION	A6	283580	CONTACT ASM-LIGHTS	38	37073	LOCKWASHER-KB MFG
15	11900	BLOCK-INSULATION	24	11900	BLOCK-INSULATION			
16	100535	INSULATION-SCREW	25	100231	INSULATION-SCREW			
17	104284	SCREW-CONTACT MFG	26	173209	SCREW-CONTACT MFG			

FIG. 077-16



KEYBOARD ASSEMBLY

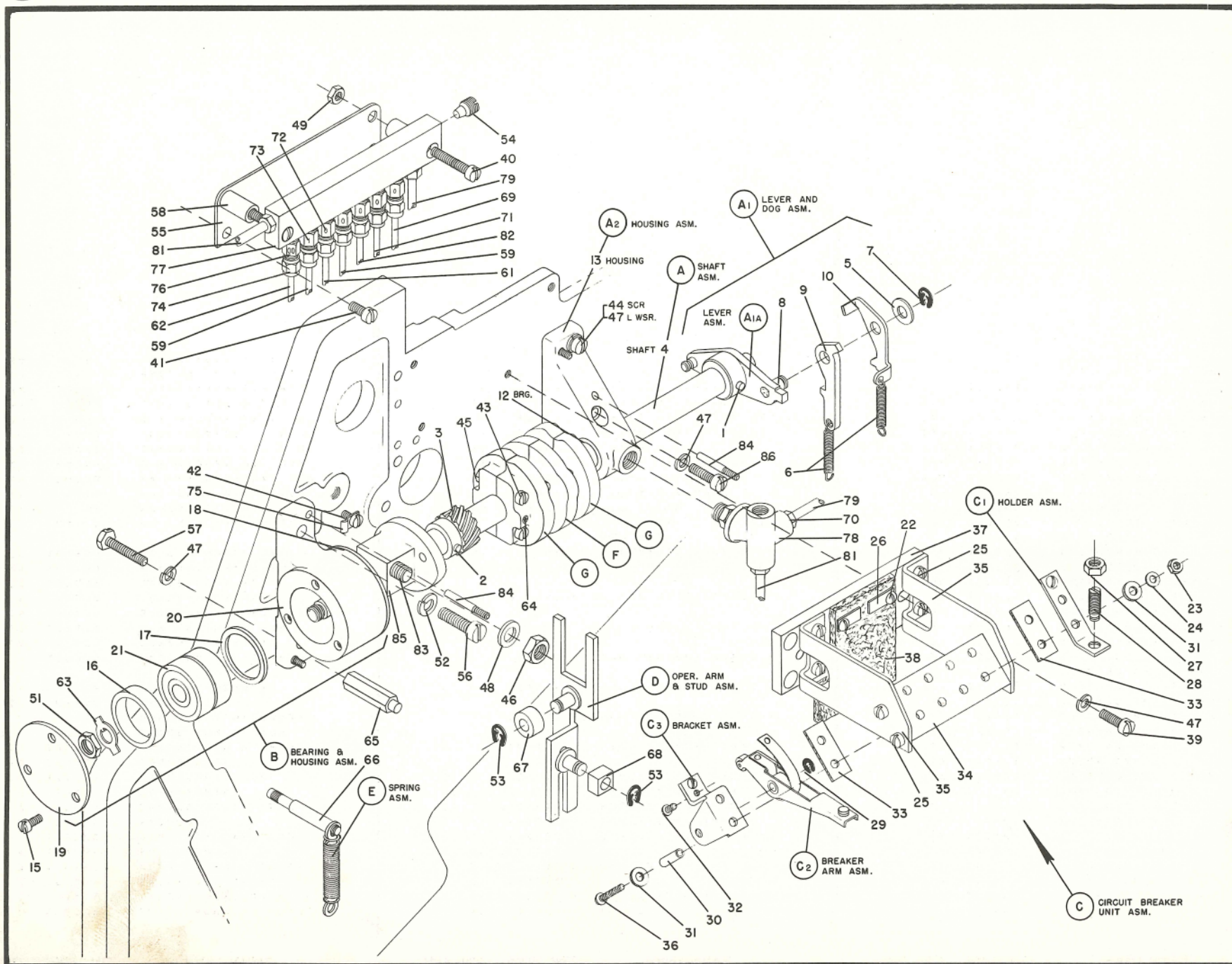
REF. NO.	PART NO.	PART NAME
A	178327	SHAFT ASM-SEC DRIVE
1	28441	PIN-CLU LEVER TAPER
2	151231	PIN-GEAR TAPER
3	166891	GEAR-FD ROLL DRIVE
4	167126	SHAFT-SECOND DRIVE
A1	178342	LEVER ASM-DOG AND
5	24090	WASHER
6	58853	SPRING-CLUTCH DOG
7	60489	CLIP-SPRING
8	134995	STUD-CLUTCH DOG
9	189668	DOG-CLUTCH
10	189669	DETENT-CLU BK LASH
A1A	167020	LEVER ASM-CLUTCH
A2	249419	HOUSING ASM-BRG AND
12	167142	BEARING-SHAFT
13	249418	HOUSING-BEARING
B	178330	HOUSING ASM-BRG AND
15	337	SCREW-COVER MTC
16	167134	SPACER-THICK BRG
17	167135	SPACER-THIN BRG
18	167136	COVER-HOUSING
19	167137	COVER-HOUSING
20	167138	HOUSING-SHAFT BRG
21	167139	BEARING-DBLE BALL
C	142311	UNIT ASM-CJR BRKR
22	92	SCREW-FELT WIPER MTC
23	7341	NUT-BRKR BAR SCREW
24	20038	WASHER-BRKR BAR SCR
25	24752	SCREW-MOUNTING
26	102653	CLAMP-FELT WIPER
27	24933	NUT-BRKR POINT LOCK
28	24938	SCREW-BRKR POINT ADJ
29	25282	CLIP-PIVOT SPRING

REF. NO.	PART NO.	PART NAME
30	100237	INSULATION-SCREW
31	100804	WASHER-INSULATING
32	118418	SCREW-TERMINAL
33	120134	INSULATION-CONT BAR
34	133392	BAR-CB CONTACT
35	142192	BRACKET-CONTACT BAR
36	173209	SCREW-BRKR ARM MTC
37	142236	PLATE-CB CONT ADAPT
38	103678	WIPE-FELT
C1	24932	HOLDER ASM-BRKR PT
C2	24961	ARM ASM-BRKR
C3	24969	BRKT ASM-ARM PIVOT
D	167153	STUD ASM-ARM AND
E	167240	SPRING ASM-PICKER
F	142166	CAM ASM-SEC 2
G	142165	CAM ASM-SEC 1 AND 3
PARTS NOT SHOWN ON SUB ASSEMBLIES		
39	232	SCREW-CB ADAPT PLATE
40	266	SCREW-JUNCT BAR MTC
41	443	SCREW-JUNCT BRKT MTC
42	2300	SCREW-CLAMP MTC
43	2384	SCREW-CAM MTC
44	2994	SCREW-BRG HSG MTC
45	6503	NUT-CAM MTC
46	7297	NUT-PICKER CAM STD
47	9092	LOCKWASHER
48	10109	WASHER-PICK CAM STD

REF. NO.	PART NO.	PART NAME
49	11598	NUT-JUNCT MTC SCREW
51	15616	NUT-BEARING CLAMP
52	37073	WASHER-SHAFT BRG
53	60489	CLIP-SPRING
54	101724	PLUG-CLOSURE
55	104453	BRACKET-JUNCT MTC
56	110286	SCREW-SHAFT BRG MTC
57	110433	SCREW-ARM GUIDE
58	117907	SPACER-OIL TUBE JOY
59	121464	TUBE-OIL TAIL
61	121471	TUBE-OIL TAIL
62	123192	TUBE-OIL TAIL
63	131620	WASHER-BRG CLAMP
64	135341	SCREW-CAM SET
65	167111	ARM-CAM FOLLOW CDE
66	167161	STUD-SPRING
67	167192	ROLLER-PICKER CAM
68	167193	BEARING-OPPERATE ARM
69	190259	TUBE-OIL TAIL
70	190277	BUSHING-COMPRESSION
71	190268	TUBE-OIL TAIL
72	190275	METER UNIT- "0"
73	190276	METER UNIT- "1"
74	190279	NUT-COMPRESSION
75	190351	CLIP-OIL TUBE
76	190360	METER UNIT- "00"
77	190365	JUNCTION-20 WAY OIL
78	190367	METER UNIT-OIL TEE
79	190384	TUBE-OIL PRESSURE
81	190388	TUBE-OIL PRESSURE
82	190398	TUBE-OIL TAIL
83	193395	STUD-CAM CLAMP
84	216837	PIN-BRG HSG TAPER
85	167201	CAM-CARD FELC
86	38389	SCREW-BRG HSG MTC

FIG. 077-17

SECONDARY DRIVE SHAFT ASM.



REF. NO.	PART NO.	PART NAME
A	178329	SHAFT ASM-PRI DRIVE
1	28441	TAPER PIN-CLU LEVER
2	151231	TAPER PIN-GEAR
3	166890	GEAR-FD ROLL DRIVE
4	167066	SHAFT-DRIVE
A1	178328	DOG ASM-LEVER AND
6	24090	WASHER
7	58853	SPRING-CLUTCH DOG
8	60489	CLIP-SPRING
9	134995	STUD-CLUTCH DOG
10	189668	DOG-CLUTCH
11	189671	DETENT-CLU BACKLASH
A1A	167026	LEVER ASM-CLUTCH
A2	249419	HOUSING ASM-BEARING
13	167142	BEARING
14	249418	HOUSING-BEARING
B	178330	HOUSING ASM-BEARING
16	337	SCREW-COVER MTG
17	167134	SPACER-THICK BRG
18	167135	SPACER-THIN BEARING
19	167136	COVER-HOUSING
20	167137	COVER-HOUSING
21	167138	HOUSING-SHAFT BRG
22	167139	BEARING-DBLE BALL
C	104438	CB UNIT ASM-PR 1234
24	92	SCREW-FELT MTG
25	7341	NUT-BRKR BAR SCREW
26	20038	WASHER-BRKR BAR SCR
27	24752	SCREW-BRKT MTG BAR
28	24752	SCREW-CONT BAR MTG
29	24933	NUT-BREAKER POINT
30	24938	SCREW-BREAKER POINT
31	25282	CLIP-PIVOT SPRING
32	100237	INSULATION-SCREW
33	100804	WASHER-INSULATING
34	102653	CLAMP-FELT WIPER

REF. NO.	PART NO.	PART NAME
35	103678	WIPER-FELT
36	118418	SCREW-TERMINAL
37	120134	INSULATION-CONT BAR
38	133392	BAR-CB CONTACT
39	142189	BRACKET-CB CONT BAR
40	142202	BAR-CB BRACKET MTG
41	173209	SCREW-BRKR ARM MTG
C1	24932	HOLDER ASM-BRKR PT
C2	24961	ARM ASM-BREAKER
C3	24969	BRACKET ASM-PIVOT
E	167160	STUD ASM-CAM ARM
F	167240	SPRING ASM-PICK SHA
H	142165	CAM ASM-PRI 1 AND 3
J	142166	CAM ASM-PRI 2 AND 4
PARTS NOT SHOWN ON SUB ASSEMBLIES		
65	92	SCREW-OIL TUBE CLIP
66	232	SCREW-CB UNIT MTG
67	266	SCREW-OIL JUNCT MTG
68	2384	SCREW-CAM MOUNT
69	2994	SCREW-BPG HOUSING
70	6503	NUT-CAM MOUNTING
71	7297	NUT-PICK CAM STUD
72	9092	LWASHER
73	10109	WASHER-PICK CAM STD
74	13028	SPACER-OIL JUNCTION
75	13117	SPACER-BEARING
76	15616	NUT-BRG CLAMPING
77	37073	LWASHER

REF. NO.	PART NO.	PART NAME
98	60489	CLIP-SPRING
79	110286	SCREW-BRG HOUSING
80	110433	SCREW-ARM GUIDE
81	117173	JUNCTION-10 WAY OIL
82	121405	TUBE-PRESSURE OIL
83	121460	TUBE-OIL TAIL
84	121464	TUBE-OIL TAIL
85	121483	TUBE-OIL TAIL
86	123190	TUBE-OIL TAIL
87	131620	LWASHER-BRG CLAMP
88	135341	SCREW-CAM SET
89	141215	BEARING-SHAFT BALL
90	156863	TUBE-OIL TAIL
91	167043	SPACER-DR SHAFT BRG
92	167105	CFAR-DR SHAFT BEVEL
93	167111	GUIDE-FOLLOWER ARM
94	167140	BEARING-SHAFT BALL
95	167161	STUD-SPRING
96	167192	ROLLER-PICKER CAM
97	167193	BEARING-OPERATE ARM
98	190275	METER UNIT- "0"
99	190276	METER UNIT- "1"
100	190277	BUSHING-COMPRESSION
101	190278	PLUG-CLOSURE
102	190279	NUT-COMPRESSION
103	190351	CLIP-OIL TUBE
104	190360	METER UNIT- "00"
105	190367	METER UNIT- TEE
106	190384	TUBE-PRESSURE
107	190388	TUBE-PRESSURE
108	190396	TUBE-OIL TAIL
109	190398	TUBE-OIL TAIL
110	193395	STUD-CAM CLAMP
111	216837	PJN-BRG HSG TAPER
112	167219	CAM-CARD FEED PRI
113	166668	CLAMP-CABLE
114	45690	WASHER-CABLE CLAMP
115	36389	SCREW-BRG HSG MTG

PAGE 38

FIGURE 077-18

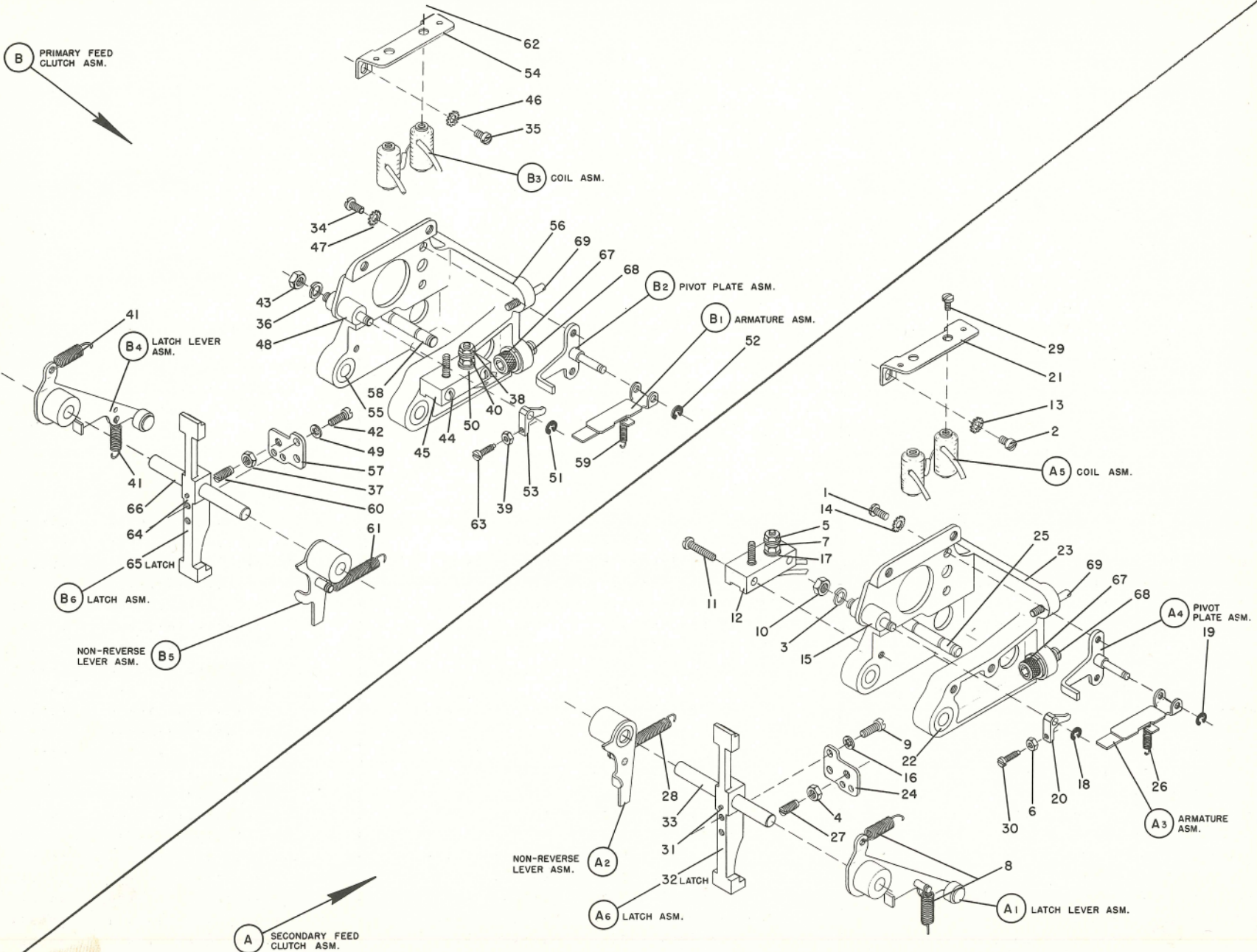
DATE JULY 15, 1954

REF. NO.	PART NO.	PART NAME	REF. NO.	PART NO.	PART NAME	REF. NO.	PART NO.	PART NAME
A	159950	CLUTCH ASM-FEC FEED	30	222190	SCREW-ARMATURE STOP	52	123206	CLIP-CLUTCH ARM RET
1	72	SCREW-PIV PLT MTG	A1	111179	LEVER ASM-FD CL LCH	53	123439	KNOCK OFF-CLU ARM
2	4236	SCREW-MAG YOKE MTG	A2	111190	LEVER ASM-NON REV	54	123536	YOKE-CLUTCH MAGNET
3	6318	LWASH-KNOCK OFF ST	A3	123434	ARMATURE ASM-CLUTCH	55	128817	BUSHING-LCH LEV SH
4	6503	NUT-LCH LEV ADJ SCR	A4	123441	PLATE ASM-CL PIVOT	56	159953	BRACKET-CLUTCH
5	7341	NUT-CLUTCH MAG TERM	A5	134992	COIL ASM-MAGNET	57	159960	PLATE-CLU LATCH SPR
6	8506	NUT-CL MAG ARM SCR	A6	234970	LATCH ASM-FEED CLU	58	159965	STUD-CLUTCH SPRING
7	22066	WASHER-MAG TERM SCR	31	5771	PIN-LATCH LEV TAPER	59	159969	SPRING-CLUTCH ARM
8	23108	SPRING-CL LATCH LEV	32	159963	LATCH-CLUTCH	60	171720	SCREW-LCH LEV ADJ
9	23854	SCREW-LCH PLATE MTG	33	159966	SHAFT-CLUTCH	61	183864	SPRING-NON REV LEV
10	23931	NUT-KNOCK OFF STUD				62	196298	SCREW-MAGNET MTG
11	25597	SCREW-TERM BLK MTG	3	159951	CLUTCH ASM-PRI FEED	63	222190	SCREW-ARMATURE STOP
12	25602	BLOCK-TERMINAL	34	72	SCREW-PIV PLT MTG	81	123434	ARMATURE ASM-CLUTCH
13	56722	LWASH-MAG YOKE SCR	35	4236	SCREW-MAG YOKE MTG	82	123441	PLATE ASM-CLU PIVOT
14	56722	LWASH-PIVOT PLATE	36	6318	LWASH-KNOCKOFF STUD	83	134992	COIL ASM-MAGNET
15	104606	STUD-CL ARM NOKOFF	37	6503	NUT-LCH LEV ADJ SCR	84	203418	LEVER ASM-FD CL LCH
16	105047	LWASH-PLT MTG SCREW	38	7341	NUT-CLUTCH MAG TERM	85	203419	LEVER ASM-NON REV
17	105047	LWASH-TERMINAL SCR	39	8506	NUT-CLU MAG ARM SCR	86	203371	LATCH ASM-FEED CLU
18	123206	CLIP-ARM NOKOFF RET	40	22066	WASHER-MAG TERM SCR	64	5771	PIN-LATCH LEV TAPER
19	123206	CLIP-CLUTCH ASM RET	41	23108	SPRING-CL LATCH LEV	65	159963	LATCH-CLUTCH
20	123439	KNOCK OFF-CLU ARM	42	23854	SCREW-LCH PLATE MTG	66	159966	SHAFT-CLUTCH
21	123536	YOKE-CLUTCH MAGNET	43	23931	NUT-KNOCKOFF STUD			
22	128817	BUSHING-LCH LEV SH	44	25597	SCREW-TERM BLK MTG			
23	159953	BRACKET-CLUTCH	45	25602	BLOCK-TERMINAL			
24	159960	PLATE-CL LATCH SPR	46	56722	LWASH-MAG YOKE SCR			
25	159965	STUD-CLUTCH SPRING	47	56722	LWASH-PIVOT PLATE			
26	159969	SPRING-CLUTCH ARM	48	104606	STUD-CL ARM NOKOFF	67	37073	LWASH-FD CLUTCH MTG
27	171720	SCREW-LCH LEV ADJ	49	105047	LWASH-PLT MTG SCREW	68	127702	SCREW-FD CLUTCH MTG
28	183864	SPRING-NON REV LEV	50	105047	LWASH-TERMINAL SCR	69	216837	PIN-FEED CLU CORLL
29	196298	SCREW-MAGNET MTG	51	123206	CLIP-ARM NOKOFF RET			

PARTS NOT SHOWN ON SUB ASSEMBLIES

FIG. 077-19

B PRIMARY FEED CLUTCH ASM.



NON-REVERSE LEVER ASM. B5

LATCH ASM. B6

LATCH LEVER ASM. B4

NON-REVERSE LEVER ASM. A2

LATCH ASM. A6

A SECONDARY FEED CLUTCH ASM.

PIVOT PLATE ASM. A4

ARMATURE ASM. A3

A5 COIL ASM.

B1 ARMATURE ASM.

B2 PIVOT PLATE ASM.

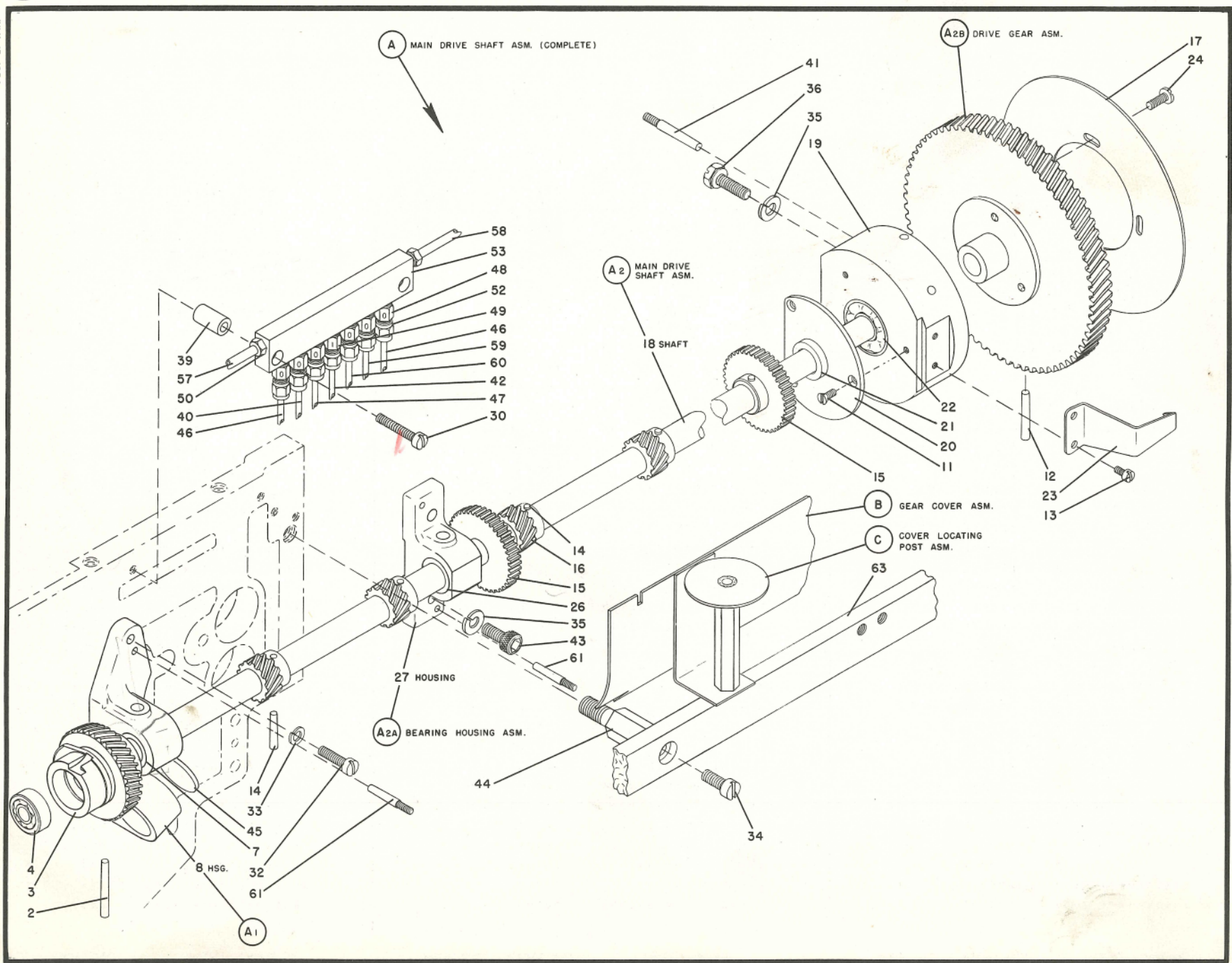
B3 COIL ASM.

REF. NO.	PART NO.	PART NAME
A	178360	SHAFT ASM-MAIN DRIV
2	138298	PIN-BEV GEAR TAPER
3	167106	GEAR-SHAFT BEVEL
4	167140	BEARING-BEVEL GEAR
A1	178332	HOUSING ASM-BRG AND
7	167142	BEARING-SHAFT
8	167148	HOUSING-SHAFT BRG
A2	221994	SHAFT ASM-MAIN DRIV
11	194	SCREW-BEARING-LOCAT
12	4159	PIN-DRIVE GEAR TAPR
13	4236	SCREW-POINTER MTG
14	151231	PIN-GEAR TAPER
15	166587	GEAR-CB UNIT DRIVE
16	166891	GEAR-SPIRAL
17	167202	DISC-INDEX
18	167204	SHAFT-MAIN DRIVE
19	167214	HOLDER-SHAFT BRG
20	167215	LOCATOR-BEARING
21	167216	SPACER-DRIVE SHAFT
22	167217	BEARING-SHAFT BALL
23	167218	POINTER-INDEX

REF. NO.	PART NO.	PART NAME
24	186758	SCREW-INDEX MTG
A2A	178364	HOUSING ASM-BEARING
26	167142	BEARING-SHAFT
27	167149	HOUSING-SHAFT BRG
A2B	221993	GEAR ASM-DRIVE
B	145652	COVER ASM-GEAR
C	167257	POST ASM-COVER LOC
PARTS NOT SHOWN ON SUB ASSEMBLIES		
30	266	SCREW-OIL JUNCT MTG
32	2994	SCREW-BRG HOUSING
33	9092	LWASHER-BRG HOUSING
34	25581	SCREW-SUPPORT BAR
35	37073	LWASHER-BRG HLDR MTG
36	38688	SCREW-BRG HLDR MTG

REF. NO.	PART NO.	PART NAME
39	117907	SPACER-OIL JUNCTION
40	121471	TUBE-OIL TAIL
41	122856	PIN-SHAFT BRG DOWEL
42	123192	TUBE-OIL TAIL
43	127702	SCREW-BRG HOUSING
44	166608	POST-SUPPORT BAR MT
45	167323	PLUG-EXPANSION
46	190259	TUBE-OIL TAIL
47	190262	TUBE-OIL TAIL
48	190275	METER UNIT- "0"
49	190276	METER UNIT- "1"
50	190277	BUSHING-COMPRESSION
52	190279	NUT-COMPRESSION
53	190284	JUNCTION-9 WAY OIL
57	190388	TUBE-PRESSURE
58	190389	TUBE-PRESSURE
59	190398	TUBE-OIL TAIL
60	190400	TUBE-OIL TAIL
61	216837	PIN-BRG HSNG TAPER
63	166606	BAR-CR CAM UNIT SUP

FIG. 077-20



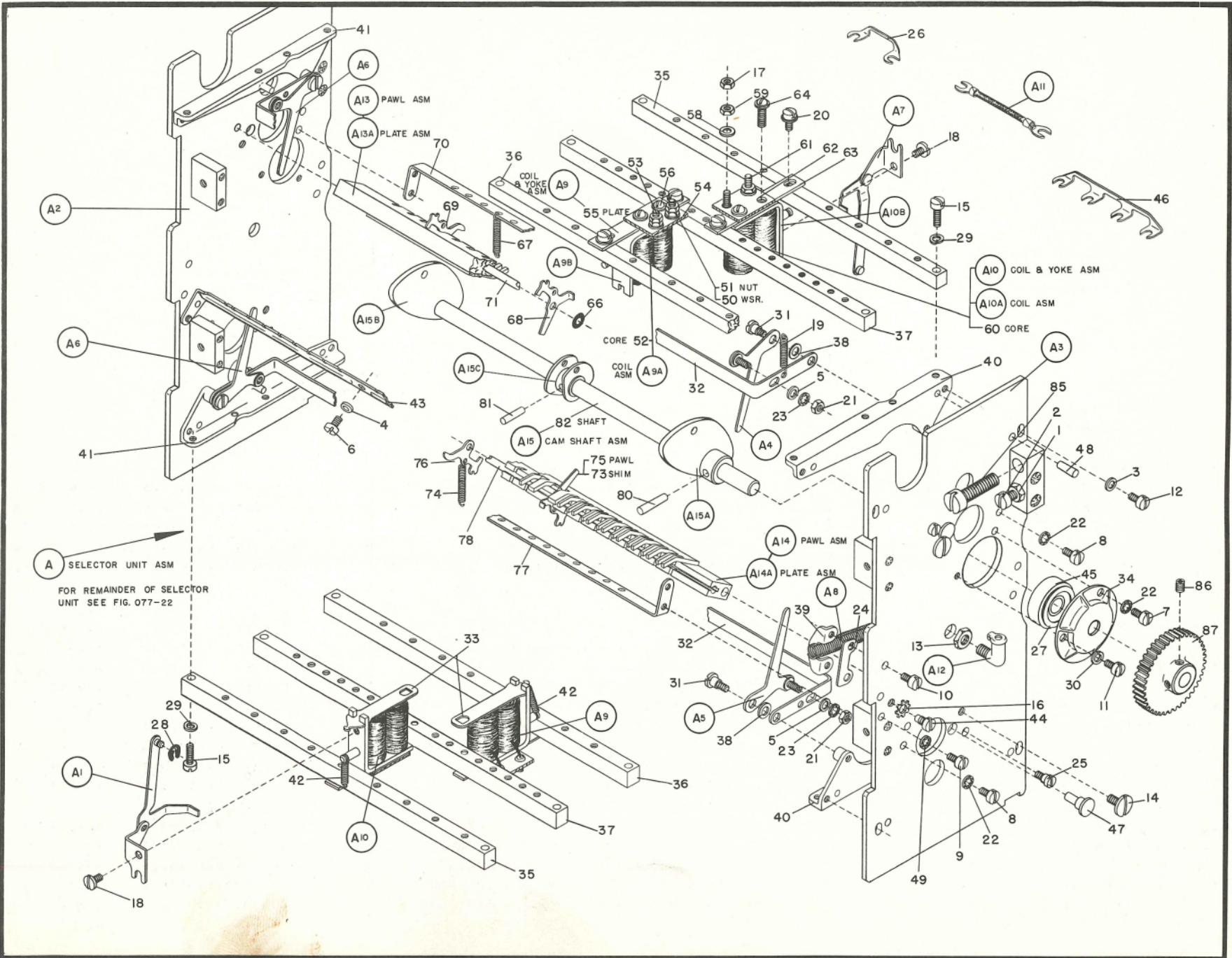
MAIN DRIVE SHAFT ASM.

REF. NO.	PART NO.	PART NAME	REF. NO.	PART NO.	PART NAME	REF. NO.	PART NO.	PART NAME
A	173643	UNIT ASM-SELECTOR	38	166572	SPACER-KOFF LEVER	A108	166584	YOKE ASM-MAGNET
1	221	NUT-ADJUSTING SCREW	39	166599	BRACKET-BAIL SPRING	A11	166640	W/RE ASM-JUMPER
2	358	SCREW-ADJUSTING	40	166620	BRACKET-MAGNET MTG	A12	190418	CUP ASM-OIL
3	1866	WASHER-MAG BRKT MTG	41	166622	BRACKET-MAGNET MTG	A13	249470	PAWL ASM-SECONDARY
4	1866	WASHER-LOC SUPT MTG	42	166623	SPRING-MAGNET ARM	66	123534	SHIM-RESTORING PAWL
5	1866	WASHER-ARM KNOFF	43	171240	LOCATOR-GUIDE PLATE	67	131225	SPRING-PAWL
6	3500	SCREW-LOCK SUPT MTG	44	171241	SCREW-GUIDE PL LOC	68	166515	PAWL-RESTORING
7	3500	SCREW-SPRING ANCHOR	45	287641	BEARING-CAM SHAFT	69	166516	PAWL-SETUP
8	4236	SCREW-SPRING ANCHOR	46	188137	STRIP-CONNECTOR	70	166530	ANCHOR-PAWL SPRING
9	4236	SCREW-GUIDE PL LOC	47	249428	STUD-SETUP PAWL PIV	71	255583	PIVOT-PAWL
10	4236	SCREW-SPR BRKT MTG	48	255599	PIN-MAG UNIT TAFER	A13A	166605	PLATE ASM-RAT GUIDE
11	4236	SCREW-BRG HSG MTG	49	105047	LWASHER-GUIDE PL MTG	A14	249471	PAWL ASM-PRIMARY
12	4236	SCREW-MAG BRKT MTG	A1	107980	LEVER ASM-RESTORE	73	123534	SHIM-RESTORING PAWL
13	37260	NUT-OIL CUP LOCK	A2	159521	PLATE ASM-RT SIDE	74	131225	SPRING-PAWL
14	42003	SCREW-PIV STUD HOLD	A3	159522	PLATE ASM-LEFT SIDE	75	166515	PAWL-RESTORING
15	52607	SCREW-MAG MTG BAR	A4	159795	LEVER ASM-KOFF BAIL	76	166516	PAWL-SETUP
16	55901	LWASHER-GDE PL LOC	A5	166577	LEVER ASM-KOFF BAIL	77	166529	ANCHOR-PAWL SPRING
17	58229	NUT-MAG TERM SCREW	A6	166578	LEVER ASM-KOFF BAIL	78	255583	PIVOT-PAWL
18	77064	SCREW-KOFF LEV MTG	A7	166581	LEVER ASM-RESTORE	A14A	166604	PLATE ASM-RAT GUIDE
19	101625	SPRING-ARM BAIL	A8	166632	SPRING ASM-ST JP BL	A15	249472	SHAFT ASM-CAM
20	101999	SCREW-MAGNET MTG	A9	166637	COIL ASM-YOKE AND	80	19167	PIV-CAM TAPER
21	102092	NUT-KOFF ADJ SCREW	50	52393	WASHER-TERMINAL	81	44285	PIN-CAM TAPER
22	105047	LWASHER-SPR ANCHOR	51	58229	NUT-TERMINAL	82	166502	SHAFT-CAM
23	108047	LWASHER-ARM KOFF	52	*	CORE-MAGNET	A15A	142016	CAM ASM-SETUP-LEFT
24	109611	SHIM-SPRING BRACKET	53	166547	SCREW-TERMINAL	A15B	142017	CAM ASM-SETUP-RIGHT
25	110183	SCREW-GUIDE PL MTG	54	166549	BLOCK-TERMINAL	A15C	166501	CAM ASM-ARM KOFF
26	121349	STRIP-CONNECTOR	55	166550	PLATE-MAGNET MTG			
27	127246	SPACER-BRG HOUSING	56	173202	SCREW-COIL MTG			
28	147297	CLIP-KOFF LEV SPR	A9A	*	COIL ASM-MAGNET			
29	163899	LWASHER-MAG MTG BAR	A9B	166582	YDKE ASM-MAGNET			
30	163899	LWASHER-BRG HSG MTG	A10	166638	COIL ASM-YOKE AND			
31	166522	SCREW-SETUP ARM PIV	58	52393	WASHER-TERMINAL	85	38418	SCREW-SEL UNIT MTG
32	166523	BAIL-SETUP ARM KOFF	59	58229	NUT-TERMINAL	86	151720	SCREW-GEAR SET
33	166527	ARMATURE-MAGNET	60	*	CORE-MAGNET	87	166535	GEAR-SEL UNIT DRIVE
34	166536	HOUSING-BEARING	61	166547	SCREW-TERMINAL			
35	166551	BAR-MAGNET MTG	62	166549	BLOCK-TERMINAL			
36	166554	BAR-MAGNET MTG	63	166550	PLATE-MAGNET MTG			
37	166555	BAR-MAGNET MTG	64	173202	SCREW-COIL MTG			
			A10A	*	COIL ASM-MAGNET			

PARTS NOT SHOWN ON SUB ASSEMBLIES

* DO NOT ORDER COMPONENTS UNLESS
PART NUMBER IS GIVEN

FIG. 077-21

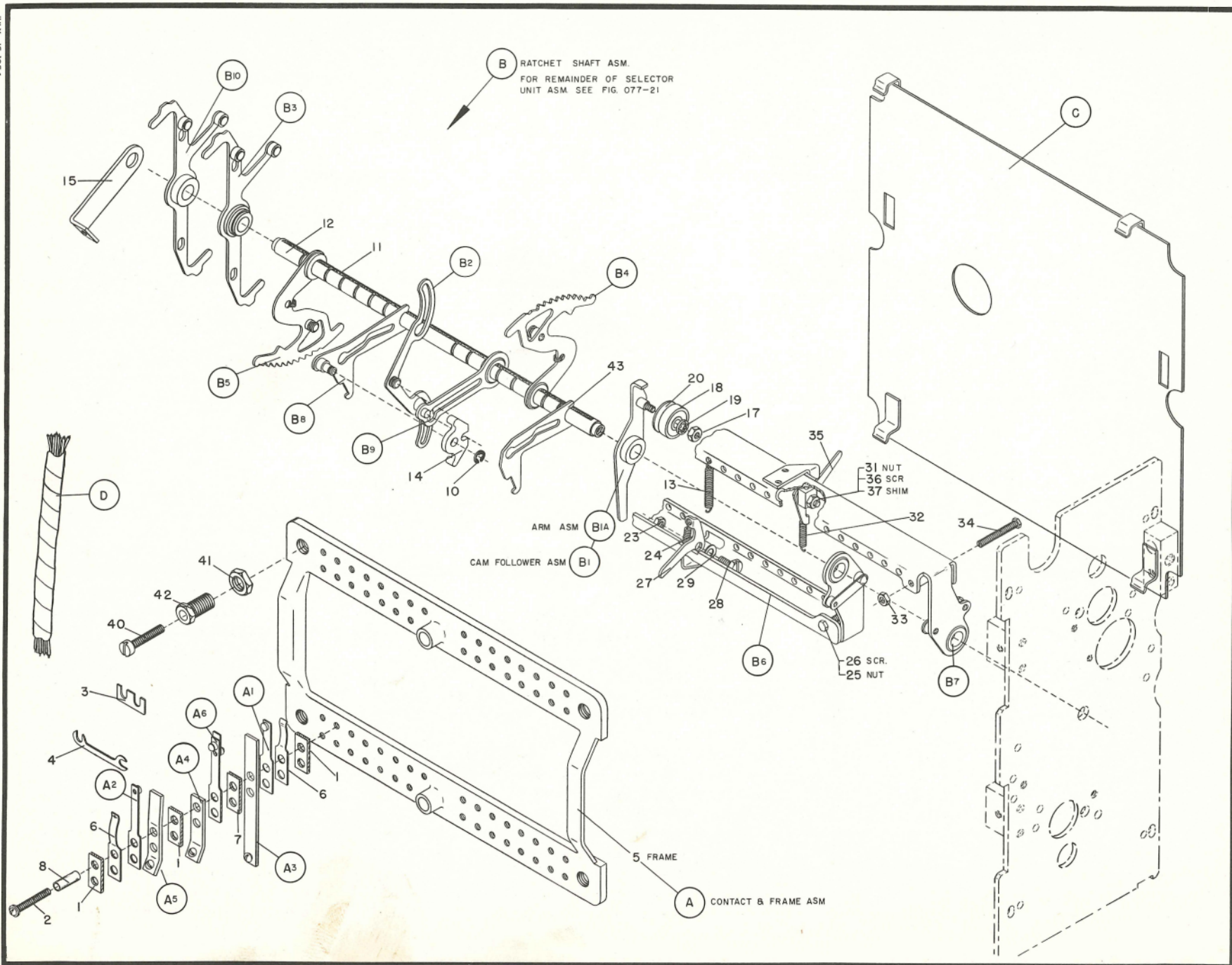


A SELECTOR UNIT ASM
FOR REMAINDER OF SELECTOR UNIT SEE FIG. 077-22

SELECTOR UNIT ASM. # 1

REF. NO.	PART NO.	PART NAME	REF. NO.	PART NO.	PART NAME	REF. NO.	PART NO.	PART NAME
A	159500	FRAME ASM-SEL CONT	15	192745	BRACE-GUIDE HL LOC	32	42850	SPRING-LATCH
1	72316	BLOCK-INSULATION	B1	166509	FOLLOWER ASM-CAM	33	102092	NUT-SETUP BAIL ADJ
2	101850	SCREW-CONTACT MTG	17	38051	NUT-ROLLER MTC	34	122613	SCREW-SETUP BAIL AJ
3	107997	JUMPER-BRASS-SHORT	18	60514	ROLLER-SETUP CAM	35	255562	LATCH-RESTORE PAWL
4	135405	JUMPER-BRASS-LONG	19	62031	LWASHER-ROLLER MTG	36	255563	SCREW-LATCH ECCENT
5	159502	FRAME-CONTACT MTC	20	143155	SPACEH-CAM ROLLER	37	255878	SHIM-LATCH MTG
6	159506	SPRING-REINFORCING	B1A	118026	ARM ASM-CAM FOLLOW			REMAINDER OF THIS ASM NOT
7	159511	BLOCK-INSULATION	B2	166511	LINX ASM-DIFF			SUITABLE FOR BREAKDOWN
8	159512	INSULATION-SCREW	B3	166579	FOLLOWER ASM-REST	B8	173639	PLATE ASM-DIF LK GD
A1	159503	SPRING ASM-CONTACT	B4	166596	RATCHET ASM-SECOND	B9	173640	LEVER ASM-CONTROL
A2	159505	SPRING ASM-CONTACT	B5	166597	RATCHET ASM-PRIMARY	B10	192744	FOLLOWER ASM-KU CAM
A3	159507	TERMINAL ASM-CONT	B6	166624	BAIL ASM-PRI SETUP			
A4	159508	TERMINAL ASM-CONT	23	7341	NUT-REST LATCH SCR	C	145126	COVER ASM-SEL UNIT
A5	159509	TERMINAL ASM-CONT	24	42850	SPRING-LATCH			
A6	173635	SPRING ASM-CONTACT	25	102092	NUT-SETUP BAIL ADJ	D	173757	CABLE ASM-JUMPER
B	249469	SHAFT ASM-RATCHET	26	121613	SCREW-SETUP BAIL AJ			
10	123206	CLIP-CONT CAM SPRNG	27	255562	LATCH-RESTORE PAWL			
11	165656	WICK-RAT SHAFT DIL	28	255563	SCREW-LATCH ECCENT			
12	166611	SHAFT-SETUP RATCHET	29	255878	SHIM-LATCH MTG			
13	166631	SPRING-RATCHET			REMAINDER OF THIS ASM NOT SUITABLE			
14	176343	CAM-SELECTOR CONT			FOR BREAKDOWN			
			E7	166625	BAIL ASM-SEC SETUP	40	2032	SCREW-CONT FRAME MT
			31	7341	NUT-REST LATCH SCR	41	180197	NUT-CONT FRAME LOCK
						42	180198	SLEEVE-CONT FRAME
						43	180449	PLATE-DIFF IK GUIDE
								PARTS NOT SHOWN ON SUB ASSYMBLIFS

FIG. 077-22



SELECTOR UNIT ASM. # 2

REF. NO.	PART NO.	PART NAME
A	207731	PULLEY ASM-BRKT AND
1	194	SCREW-WASHER RETAIN
2	59560	SCREW-PIVOT SET
3	104922	WASHER-RETAINING
4	155051	WASHER-LOCATING
5	155052	STUD-PULLEY PIVOT
6	166795	BRACKET-DRIV PULLEY
7	167060	SCREW-LOCK PAWL
8	171059	FITTING-CREASE
9	180988	SCREW-PULLEY HOLD
A1	167211	PAWL ASM-LOCK
A2	178365	PULLEY ASM-DRIVE
10	10226	WASHER-FRICTION
12	167194	KEY-PULLEY GEAR
13	167205	SPRING-REVERSE PAWL
14	167208	ARM-REV PAWL OPER
15	167210	CLIP-OPER ARM SPRING
A2A	167197	GEAR ASM-PULLEY
A2B	289401	PULLEY ASM-BRG AND

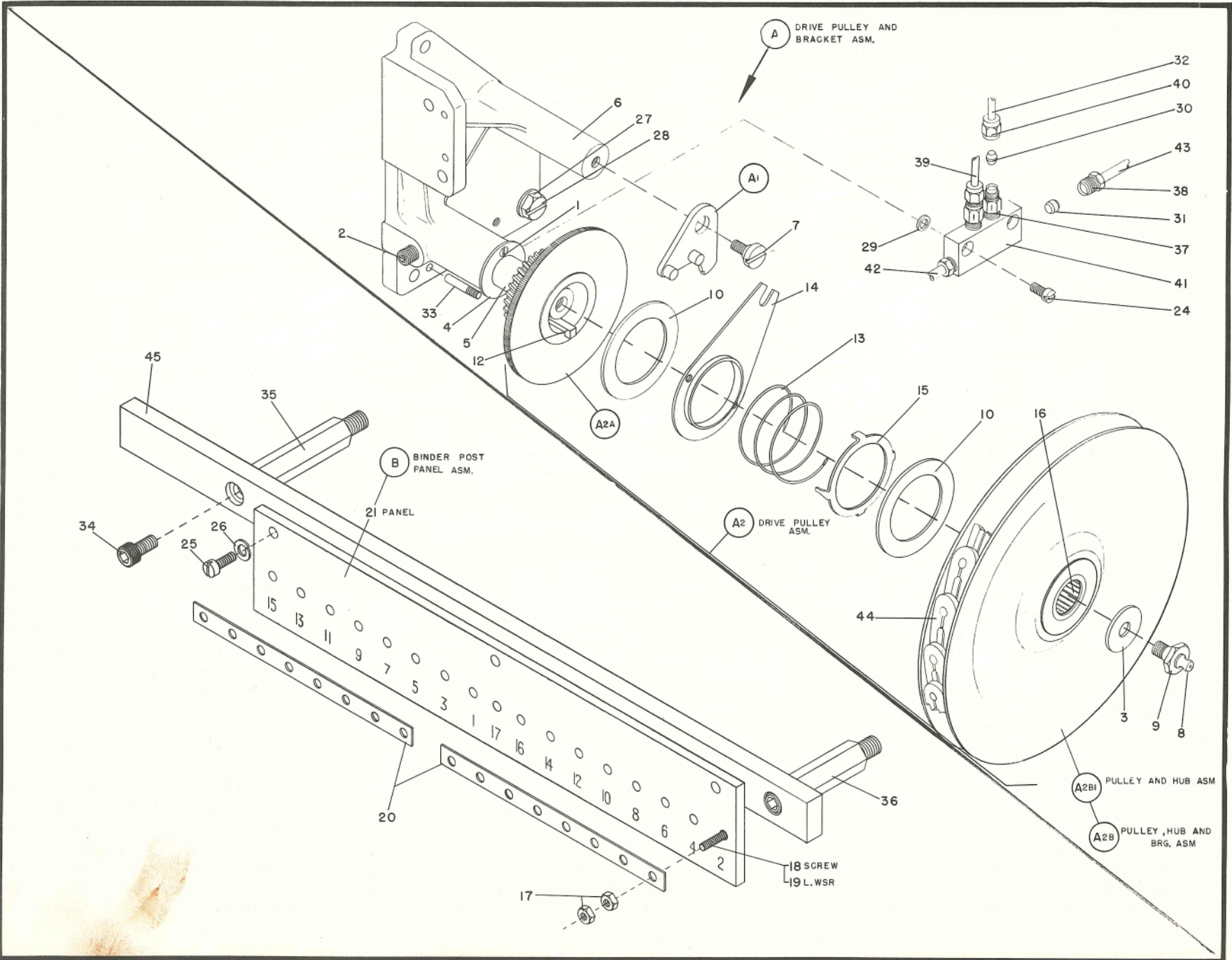
REF. NO.	PART NO.	PART NAME
16	149023	BEARING-NEEDLE
A2B1	167206	HUB ASM-PULLEY AND
B	249342	PANEL ASM-BIND POST
17	123	NUT-TERMINAL
18	893	SCRFW-TFRMINAL
19	60646	LWASHER-TERM SCREW
20	167057	STRIP-COMMON
21	249341	PANEL-BINDFR POST

PARTS NOT SHOWN ON SUB ASSEMBLIES

24	443	SCREW-OIL JNCT MTG
25	2994	SCREW-BIND POST PAN
26	9092	LWASHER-PANFL MTG
27	37073	LWASHER

REF. NO.	PART NO.	PART NAME
28	38688	SCREW-PUL BRKT MTG
29	53370	SPACER-OIL JNCT MTG
30	121277	SLEEVE-COMPRESS 3/32"
31	121280	SLEEVE-COMPRESS 5/32"
32	121461	TUBE-OIL TAIL
33	122856	PIN-THREADED DOWEL
34	127702	SCRFW-LOW SEL BX BAR
35	166605	POST-LOW RH SEL MTG
36	166610	POST-LOW LH SEL MTG
37	190276	METER UNIT-NO 1
38	190277	BUSHING-COMPRESSION
39	121468	TUBE-OIL TAIL
40	190279	NUT-COMPRESSION
41	190362	JUNCTION-4 WAY OIL
42	190384	TUBE-OIL PRESSURE
43	190392	TUBE-OIL PRESSURE
44	167078	BELT-DRIVE
45	234818	BAR-LOW SEL UNIT MTG

FIG. 077-23



DRIVE PULLEY & BINDER POST PANEL ASM'S.

REF. NO.	PART NO.	PART NAME
A	159760	BREAKER ASM-CR CIR
1	92	SCREW-FELT WIPER
2	92	SCREW-TUBE CLAMP
3	232	SCREW-OIL JNCT MTG
4	244	SCREW-RETAINER MTG
5	3500	SCREW-RETAINER MTG
6	4085	WASHER-OILER FELT
7	4236	SCREW-FELT MTG BRKT
8	7341	NUT-BRKR BAR SCREW
9	20038	WASHER
10	24933	NUT-BRKR POINT LOCK
11	24938	SCREW-BREAKER POINT
12	25282	CLIP-ARM RET SPRING
13	38383	SCREW-CONT BAR MTG
14	49814	SCREW-CONT BAR MTG
15	50104	SCREW-SHAFT RETAIN
16	53370	SPACER-OIL JUNCTION
17	100237	INSULATION-SCREW
18	100804	WASHER-INSULATION
19	101724	PLUG-CLOSURE
20	118418	SCREW-TERMINAL
21	120134	BLOCK-INSULATION
22	121277	SLEEVE-COMPRESSION
23	121280	SLEEVE-COMPRESSION
24	121471	TUBE-OIL
25	121483	TUBE-OIL
27	123192	TUBE-OIL
28	166822	BAR-CONTACT MTG
29	166823	RETAINER-BEARING

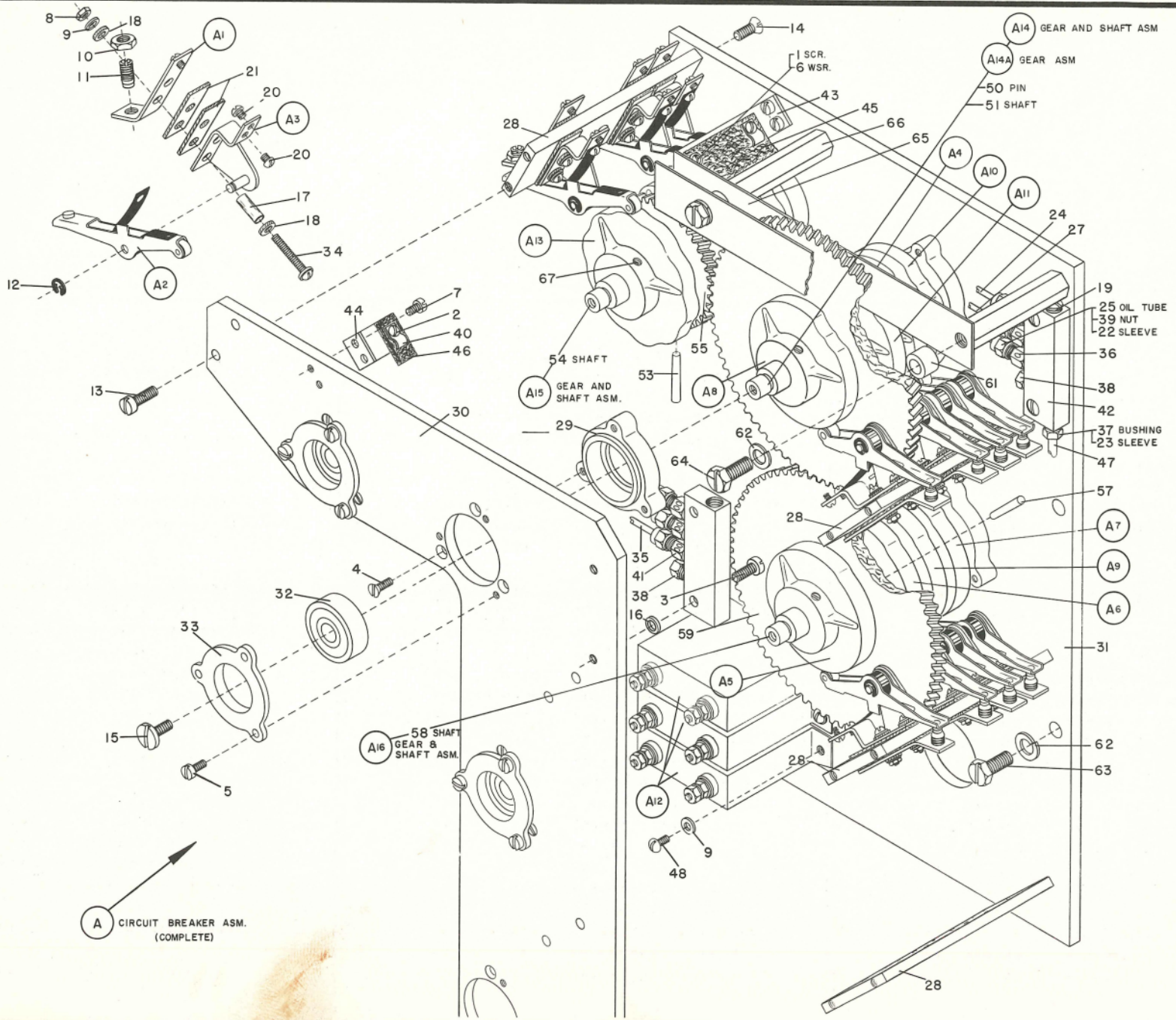
REF. NO.	PART NO.	PART NAME
30	166865	FRAME-LEFT SIDE
31	166883	FRAME-RIGHT SIDE
32	166897	BEARING-SHAFT BALL
33	167061	CAP-BEARING RETAIN
34	173209	SCREW-BREAK ARM MTG
35	190263	TUBE-OIL
36	190275	METER UNIT- "0" OIL
37	190277	BUSHING-COMPRESSION
38	190278	PLUG-CLOSURE
39	190279	NUT-COMPRESSION
40	190351	CLIP-OIL TUBE
41	190360	METER UNIT- "00" OIL
42	190364	JUNCTION-OIL
43	190370	BRACKET-FELT MTG
44	190371	BRACKET-FELT MTG
45	190372	FELT-LARGE OIL
46	190373	FELT-SMALL OIL
47	190384	TUBE-OIL PRESSURE
48	196298	SCREW-CONDENSER MTG
A1	24932	HOLDER ASM-BRKR PT
A2	24961	ARM ASM-BREAKER
A3	24969	BRACKET ASM-PIVOT
A4	159750	CAM ASM-CR 3
A5	159751	CAM ASM-CR 5
A6	159752	CAM ASM-CR 6
A7	159753	CAM ASM-CR 8
A8	166796	CAM ASM-CR 1
A9	166801	CAM ASM-CR 7

REF. NO.	PART NO.	PART NAME
A10	166806	CAM ASM-CR 4
A11	222151	CAM ASM-CR 2
A12	100742	CONDENSER ASM
A13	166813	CAM ASM-IMPULS DIST
A14	280968	SHAFT ASM-GEAR AND
50	4159	PIN-GEAR TAPER
51	166824	SHAFT-CB GEAR
A14A	166833	GEAR ASM-CB
A15	283040	SHAFT ASM-GEAR AND
53	4159	PIN-GEAR TAPER
54	166824	SHAFT-CB GEAR
55	166841	GEAR-CIR BREAKER
A16	283491	SHAFT ASM-GEAR AND
57	4159	PIN-GEAR TAPER
58	166824	SHAFT-CB GEAR
59	166827	GEAR-CIR BREAKER

PARTS NOT SHOWN ON SUB ASSEMBLIES

61	10881	SPACER-GEAR GUARD
62	37073	LWASHER-CB MTC SCR
63	36844	SCREW-CIR BRKR MTC
64	38688	SCREW-GEAR GUARD MT
65	104037	GUARD-CB GEAR
66	104038	SHO-CB GEAR GUARD
67	135341	SCREW-CAM SET

FIG. 077-24



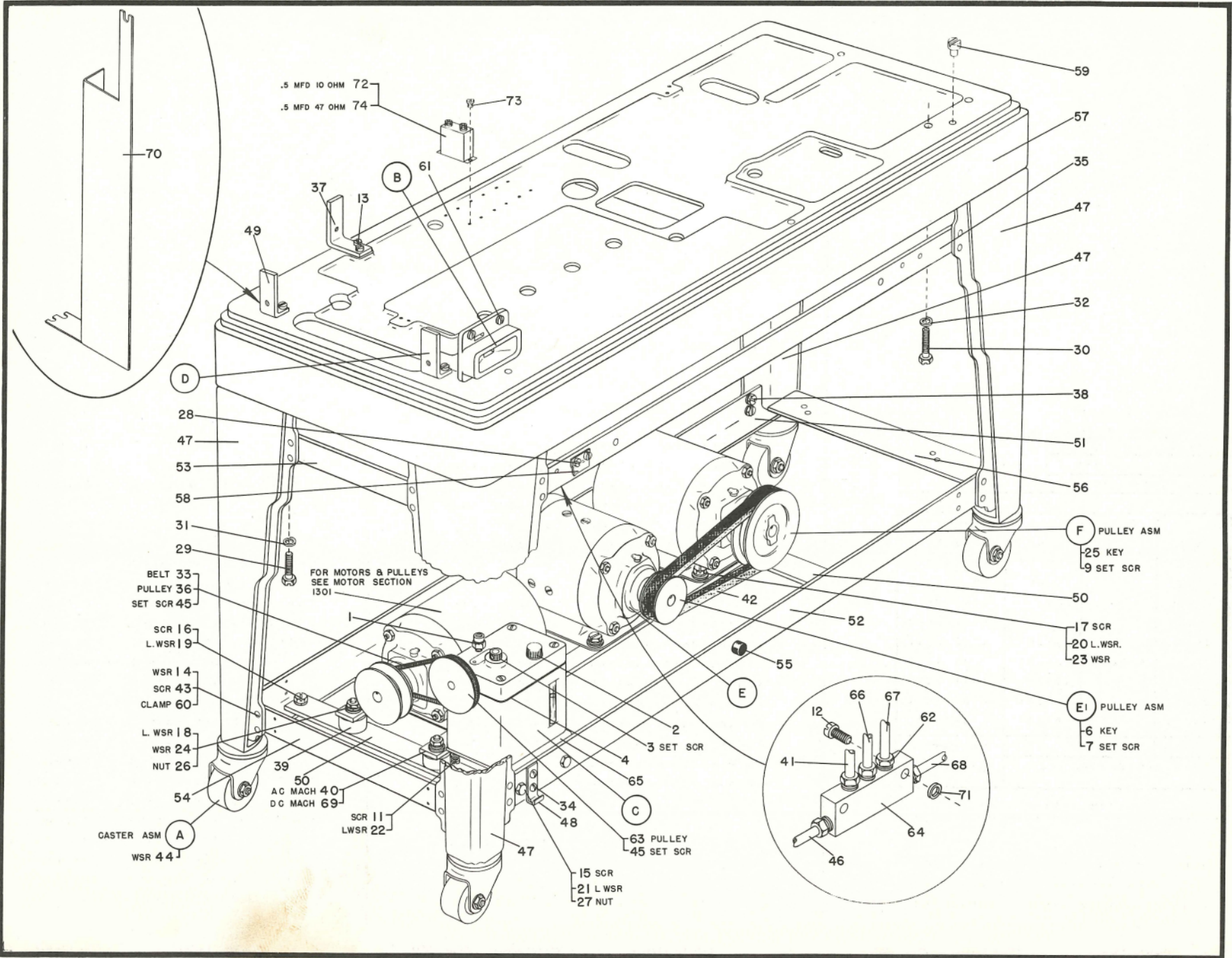
C. R. CIRCUIT BREAKER ASM.

REF. NO.	PART NO.	PART NAME
A	130742	CASTER ASM
B	180195	BRACKET ASM-SWITCH
C	190377	LUBRICATOR ASM-AUTO
1	104784	CONNECTOR-OIL TUBE
2	284198	CAP-OIL FILTER
3	284200	SCREW-SET
4	286105	GASKET
		REMAINDER OF THIS ASM NOT SUITABLE FOR BREAKDOWN
D	233420	BAR ASM-SWITCH MTG
E	129978	GENERATOR ASM-40 V
6	25548	KEY-GEN PULLEY
E1	142352	PULLEY ASM-CEN
7	26380	SCREW-PULLEY SET
		REMAINDER OF THIS ASM NOT SUITABLE FOR BREAKDOWN
F	196388	PULLEY ASM-GEN DR MOT
9	26380	SCREW-PULLEY SET
		PARTS NOT SHOWN ON SUB ASSEMBLIES
11	232	SCREW-AUTO LUB MTG
12	443	SCREW-OIL JNCT MTG

REF. NO.	PART NO.	PART NAME
13	1431	SCREW-COVER BRKT MTG
14	3550	WASHER-CABLE CLAMP
15	5471	SCREW-AUTO LUB BRKT
16	5471	SCREW-MOTOR MTG BAR
17	5471	SCREW-MOTOR MTG
18	7192	LWASHER-SHOCK BAR MTG
19	7192	LWASHER-MOTOR MTG BAR
20	7192	LWASHER-MOTOR MTG
21	7192	LWASHER-AUTO LUB BRKT
22	9092	LWASHER-AUTO LUB MTG
23	13035	WASHER-MOTOR MTG
24	13035	WASHER-SHOCK BAR MTG
25	25548	KEY-MOTOR PULLEY
26	25793	NUT-SHOCK BAR MTG
27	25793	NUT-AUTO LUB BRKT
28	38380	SCREW-LATCH PLATE
29	38693	SCREW-LEG MTG
30	38693	SCREW-FEED FRAME MTG
31	55520	LWASHER-LEG MTG SCR
32	55520	LWASHER-FD FRAME MTG
33	101149	BELT-LUBRICATOR DR
34	101432	SCREW-COVER SUP BRKT
35	103325	BRACE-UPPER FRONT LEG
36	104813	PULLEY-AUTO LUB DR
37	110343	BRACKET-COV FASTEN
38	255918	SCREW-LEG BRACE MTG
39	112623	MOUNT-MOTOR SHOCK
40	112624	BAR-MOTOR SHOCK MTG
41	121420	TUBE-OIL PRESSURE
42	126384	BELT-MOTOR GENERATOR

REF. NO.	PART NO.	PART NAME
43	255989	SCREW-CABLE CLAMP MTG
44	130987	LWASHER-CASTER MTG
45	151720	SCREW-LUB PULLY SET
46	156885	TUBE-OIL PRESSURE
47	160375	LEG
48	166909	BRACKET-COVER SUPT
49	167022	BRACKET-COVER FASTEN
50	167054	BAR-MOTOR MTG
51	167058	BRACE-REAR LOWER LEG
52	167059	BRACE-FRONT LOW LEG
53	167062	BRACE-UPPER LEFT LEG
54	167063	BRACE-LOW LEFT LEG
55	167064	DAMPER-COVER VIBRATE
56	167117	BRACE-LOW RIGHT LEG
57	167183	BASE-MACHINL
58	167189	PLATE-COVER LATCH
59	167273	STUD-COVER LOCATING
60	180977	CLAMP-CABLE
61	186758	SCREW-SWITCH BRKT MTG
62	190277	NUT-COMPRESSION
63	190288	PULLEY-AUTO LUB DR
64	190363	JUNCTION-S RAY OIL
65	190369	BRACKET-AUTO LUB MTG
66	190392	TUBE-OIL PRESSURE
67	190393	TUBE-OIL PRESSURE
68	190394	TUBE-OIL PRESSURE
69	192672	BAR-MOTOR GEN MTG
70	249247	GUARD-BFIT
71	53370	SPACER-OIL JNCT MTG
72	176407	CONDENSER-.5 MFD 10 OHM
73	196298	SCREW-CONDENSER MTG
74	173706	CONDENSER-.5 MFD 47 OHM

FIG. 077-25



BASE VIEW

REF. NO.	PART NO.	PART NAME
A	103316	PANEL ASM-FUSE
1	24752	SCREW-FUSE POST MTG
2	38364	SCREW-OUTLET MTG
3	103314	PANEL-FUSE
A1	92752	POST ASM-FUSE
A2	108111	POST ASM-FUSE
A3	167324	RECEPTACLE ASM
A4	179946	POST ASM-FUSE
A5	222375	JUMPER ASM-WIRE
A6	222376	JUMPER ASM-WIRE
B	159766	GATE ASM-RELAY AND
5	23858	SCREW-RELAY MTG
6	180529	SCREW-RECTIFIER MTG
7	478	NUT-RECTIFIER MTG
8	109287	SPACER-RECTIFIER MTG
B1	76162	RECTIFIER ASM
B2	159528	GATE ASM-RELAY
C	72915	RELAY ASM-H D ADV
D	103326	CABINET ASM-RELAY
E	128017	HINGE ASM

REF. NO.	PART NO.	PART NAME
F	171092	CONNECTOR ASM-CORD
PARTS NOT SHOWN ON SUB ASSEMBLIES		
9	6318	LWASHER-FUSE PAN MTG
10	455	SCREW-HD RELAY MTG
11	6318	LWASHER-HD RELAY MT
12	7192	LWASHER-HINGE MTG
13	23931	NUT-HD RELAY MTG
14	25793	NUT-HINGE MTG SCREW
15	37073	LWASHER-MTG SCREW
16	101432	SCREW-CABINET MTG
17	455	SCREW-FUSE PANEL MT
18	122678	BUSHING-RUBBER
19	124815	HINGE-RELAY GATE
20	255918	SCREW-CAB ANGLE MTG
21	134877	STOP-RELAY GATE
22	159529	ANGLE-RELAY CAB MTG
23	159531	BRACE-UP REAR LEG
24	167058	BRACE-LOW REAR LEG
25	169733	SCREW-GATE HINGE
26	180072	SCREW-HINGE MTG

REF. NO.	PART NO.	PART NAME
27	183875	SCREW-GATE THUMB
28	285302	CAP-FUSE POST
29	23931	NUT-FUSE PANEL MTG

FUSE PART NUMBERS			
ELECTRICAL ENERGY	FUSE POSITION		
	3	4	6
115V 60CY	107665		107803
115V 50CY	107666		107803
115V 25CY	107665		107803
115V 0C	107664	107664	
150V 60CY	107664		107803
208V 60CY	107663		107799
208V 50CY	107663		107803
230V 60CY	92734		107799
230V 50CY	107663		107799
230V 25CY	92734		107799
230V 0C	92734	92734	

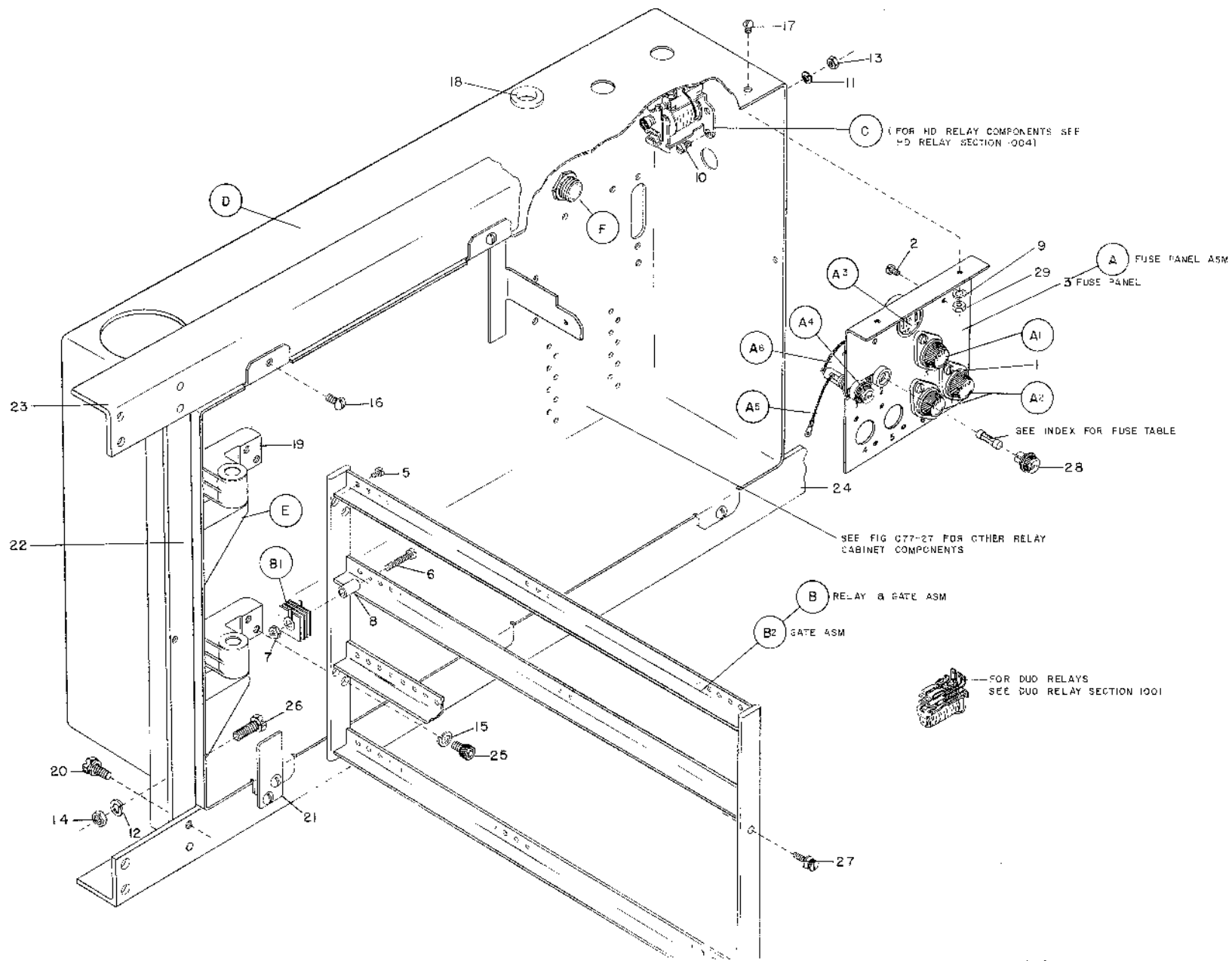
ALL VOLTAGES	FUSE POSITION	
	1 AND 2	7
	3344	107610



JULY 15, 1954

FIG. 077-26

PAGE 55



RELAY CABINET ASM

REF. NO.	PART NO.	PART NAME
A	166739	RELAY ASM-HS MAKE
1	227	WASHER-CONT MTG SCR
2	478	NUT-CONTACT MTG SCR
3	1974	BLOCK-INSULATION
4	3525	NUT-ADJUSTING SCREW
5	4691	BLOCK-SUPPORT
6	5963	SCREW-CONTACT MTG
7	11898	BLOCK-INSULATION
B	11899	BLOCK-INSULATION
9	24706	SUPPORT-CONT SPRING
10	52728	SCREW-ADJUSTING
11	138447	INSULATION-SCREW
12	166734	PLUG-RELAY CONTACT
13	166737	SPACER-RELAY
14	166738	PLUG-RELAY CONTACT
A1	166731	ARMATURE ASM-RELAY
A2	166743	COIL ASM-RELAY
A3	166847	CONTACT ASM-RELAY
B	166740	RELAY ASM-HS BREAK
17	227	WASHER-CONT MTG SCR
18	478	NUT-CONTACT MTG SCR
19	1974	BLOCK-INSULATION
20	3525	NUT-ADJUSTING SCREW
21	4691	BLOCK-SUPPORT
22	5963	SCREW-CONTACT MTG
23	11899	BLOCK-INSULATION
24	24706	SUPPORT-CONT SPRING
25	52728	SCREW-ADJUSTING

REF. NO.	PART NO.	PART NAME
26	100098	INSULATION-SCREW
27	122238	SPACER-RELAY
28	166734	PLUG-RELAY CONTACT
29	166735	SUPPORT-CONT SPRING
B1	166731	ARMATURE ASM-RELAY
B2	166743	COIL ASM-RELAY
B3	166847	CONTACT ASM-RELAY
C	108131	BLOCK ASM-TERMINAL
32	781	SCREW-TERM BLOCK
33	26077	BLOCK-TERMINAL
34	46219	NUT-TERMINAL BLOCK
35	56121	LWASHER-TERM BLOCK
D	103326	CABINET ASM-RELAY
E	125457	RESISTOR ASM
F	167267	BASE ASM-RELAY
G	76162	RECTIFIER ASM-SEL
PARTS NOT SHOWN ON SUB ASSEMBLIES		
40	424	SCREW-RESISTOR MTG
41	455	SCREW-TERM BLK MTG
42	455	SCREW-BRACKET MTG

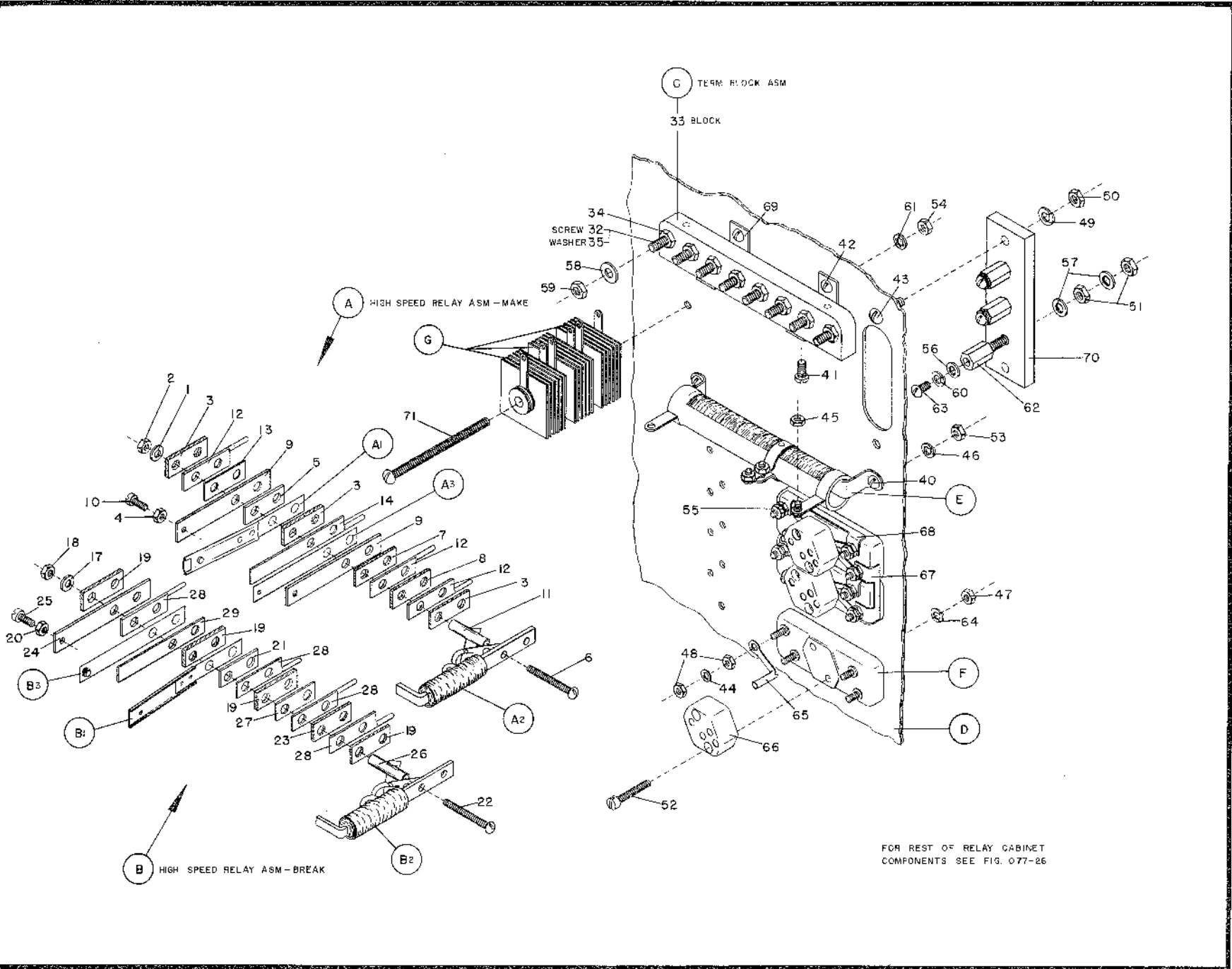
REF. NO.	PART NO.	PART NAME
43	783	SCREW-INS STRIP MTG
44	1866	WASHER-RELAY TERM
45	3525	NUT-RESISTOR TERM
46	6318	LWASHER-RESISTOR MT
47	7341	NUT-RELAY BASE MTG
48	7341	NUT-RELAY TERMINAL
49	9092	LWASHER-INS STRIP
50	11598	NUT-INSULATE STRIP
51	11891	NUT-BINDER POST MTG
52	22550	SCREW-RELAY SOCKET
53	23931	NUT-RESISTOR MTG
54	23931	NUT-BRACKET MTG
55	24011	SCREW-RESISTOR TERM
56	24511	WASHER-BINDER POST
57	45690	WASHER-BINDER POST
59	46219	NUT-TERMINAL SCREW
60	56121	LWASHER-BINDER POST
61	60646	LWASHER-BRACKET MTG
62	62954	STUD-BIND POST TERM
63	103900	SCREW-BINDER POST
64	163899	LWASHER-SOCKET MTG
65	167265	SOCKET-HS RELAY
66	167266	MOLDING-RELAY SOCK
67	167285	JUMPER-HS RELAY
68	167288	JUMPER-HS RELAY
69	230545	BRACKET-MOT TERM MT
70	267277	STRIP-BIND POST INS
71	304478	SCREW-RECTIFIER MTG



JULY 15, 1954

FIG. 077-27

RELAY CABINET COMPONENTS



FOR REST OF RELAY CABINET COMPONENTS SEE FIG. 077-26

REF. NO.	PART NO.	PART NAME	REF. NO.	PART NO.	PART NAME	REF. NO.	PART NO.	PART NAME
A	159767	PANEL ASM-STA CNTRL	26	153683	CONNECTOR-3 POS	46	180157	CONTACT
1	38	SPRING-PLATE GUIDE	27	153684	CONNECTOR-4 POS			
2	23858	SCREW-PB STOP PLATE	28	153685	CONNECTOR-5 POS	C	180435	FRAME ASM-FIXED PB
3	41198	NUY-LOCK ARM HANDLE	29	180083	CONTACT	48	24759	SCREW-RETAINING
4	52905	SPACER-OPER ARM-IN	A2	123198	ARM ASM-PB LOCK-LH	49	103301	SHIM-PANEL
5	57014	SPACER-OPER ARM-OUT	A3	123199	ARM ASM-PB LOCK-RH	50	107991	GUARD-CONTACT
6	60488	CLIP-GUIDE RETAIN	A4	134276	LINK ARM-PB GUIDE	51	118343	CASE-CARD
7	103193	SCREW-CLAMP	32	123194	ARM-PB LINK	52	165438	FRAME
8	103301	SHIM-PANEL	33	123213	STUD-ARM LINK	53	165439	FRAME-TOP
9	103458	STRIP-CLAMPING	34	150769	SPACER-ARM LINK	54	165449	PIN-RETAINING
10	218306	FRAME-PLUG BOARD	A4A	118311	GUIDE ASM-PB	55	171300	SHIM-PANEL
11	118308	SCREW-PB FRAME SUPT	A5	140368	FRAME ASM-PB-RH	C1	229482	COVER ASM
12	121572	STUD-CONT PAN SUPT	A6	140499	FRAME ASM-PB-LH	C2	103227	PANEL ASM-CONT AND
13	133622	PLATE-PB STOP				57	180157	CONTACT
14	133625	HANDLE-LOCK ARM	B	167445	FRAME ASM-MANUAL	58	180437	PANEL
15	139766	CLIP-PIV SHAFT SPR	36	24759	SCREW-RETAINING	D	140921	COVER ASM-MANUAL CP
16	140664	CLAMP-PB PANEL	37	103301	SHIM-PANEL			
17	140869	BRACKET-CONT PANEL	38	107991	GUARD-CONTACT			
18	144009	GUIDE-SETUP FRAME-L	39	144007	STUD-LOCATING			
19	144010	GUIDE-SETUP FRAME-R	40	165438	FRAME			
20	171249	SHIM-PB PANEL-THICK	41	165439	FRAME-TOP	60	598	SCREW-PB MOUNTING
21	171300	SHIM-PB PANEL-THIN	42	171300	SHIM-PANEL	61	9092	WASHER-PB MTC
22	249011	GUARD-OPERATING ARM	43	218937	SHIM-PANEL	62	18273	NUT-PB PIVOT SCREW
A1	109582	PANEL ASM-CONT AND	44	167444	PANEL	63	166863	BRACKET-PLUGBOARD
23	135518	PANEL	B1	163693	PANEL ASM	64	166924	SCREW-PB PIVOT
24	153681	PLUG-DUMMY	45	171430	PANEL-PB-REAR	65	167122	BRACE-UPPER RT LEG
25	153682	CONNECTOR-2 POS						

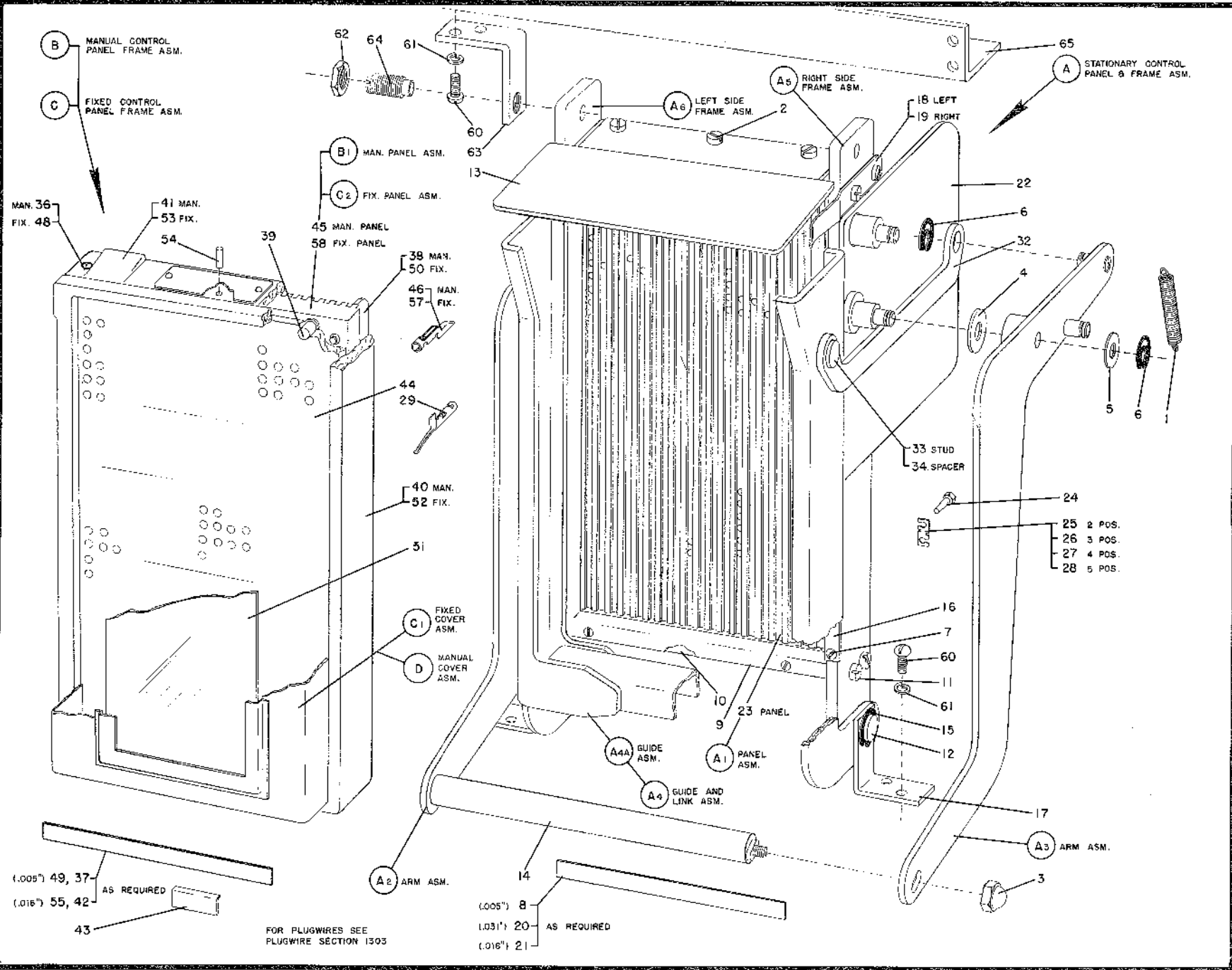
PARTS NOT SHOWN ON SUB ASSEMBLIES



JULY 15, 1954

FIG. 077-28

CONTROL PANEL ASM.



REF. NO.	PART NO.	PART NAME
A	107873	PACK ASM-POWER 150-208-230V 50-60CY
A	107992	PACK ASM-POWER 115V 50-60 CY
A	107993	PACK ASM-POWER 115-230V 25 CY
1	3550	WASHER-TRANS MTG
2	3960	NUT-TRANSFORMER MTG
3	30838	SCREW-RECTIFIER MTG
4	30838	SCREW-RESISTOR MTG
5	38686	SCREW-TRANSFORMER MTG

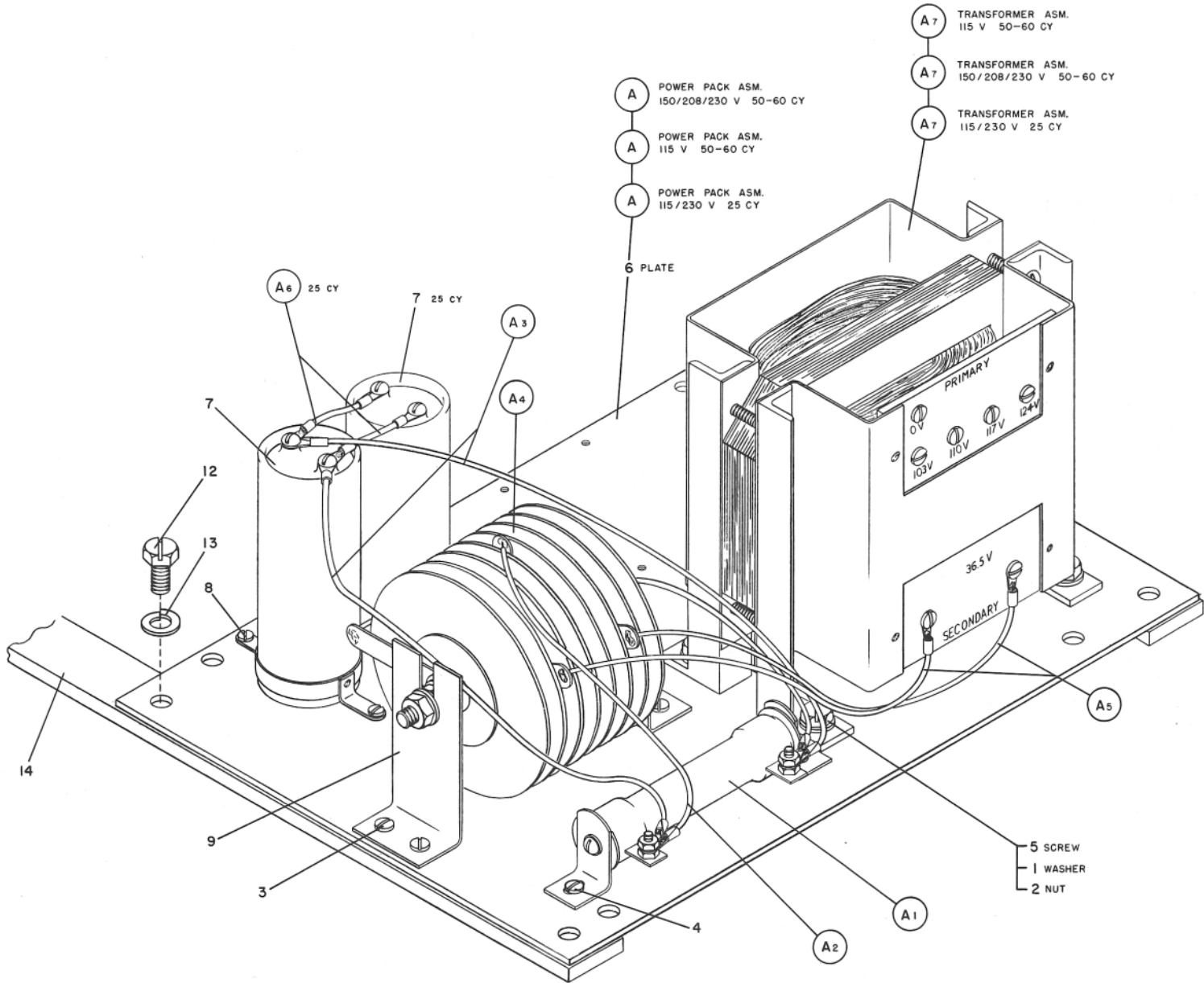
REF. NO.	PART NO.	PART NAME
6	108076	PLATE-POWER PACK BASE
7	134954	CONDENSER-2000 MFD
8	196298	SCREW-CONDENSER MTG
9	206042	BRACKET-RECTIFIER MTG
A1	107798	RESISTOR ASM-100 OHM
A2	108125	WIRE ASM-JUMPER
A3	108126	WIRE ASM-JUMPER
A4	155147	RECTIFIER ASM-SEL
A5	193254	WIRE ASM-JUMPER
A6	108127	WIRE ASM-JUMPER 25 CY

REF. NO.	PART NO.	PART NAME
A7	222180	TRANSFORMER ASM 115V 50-60 CY
A7	222181	TRANSFORMER ASM 150-208-230V 50-60 CY
A7	222182	TRANSFORMER ASM 115-230V 25 CY
PARTS NOT SHOWN ON SUB ASSEMBLIES		
12	5471	SCREW-POWER PACK MTG
13	7192	WASHER-POW PACK MTG
14	108106	BAR-POWER PACK SUPT



JULY 15, 1954

FIG. 077-29



POWER PACK ASM.

REF. NO.	PART NO.	PART NAME
A	134969	RELAY ASM-DIAL
1	227	WASHER-BINDER POST
2	337	SCREW-COIL MTG
3	1974	INSULATION-CONTACT
4	3525	NGT-BINDER POST
5	11899	INSULATION-CONTACT
6	11900	INSULATION-CONTACT
7	24752	SCREW-TERM PANFL
8	28348	SCREW-COIL BRKT MTG
9	100759	INSULATION-SCREW
10	110775	SCREW-COIL MTG
11	122238	INSULATION-CONTACT
12	125872	REINFORCER-SPRING
13	125873	REINFORCER-SPRING
14	134965	PANEL-TERMINAL
15	134968	BRACKET-CONTACT MTG
16	147066	POST-BINDER
17	150814	SPRING-STOP ARM
18	173207	SCREW-CONTACT MTG
19	289502	STUD-STOP
20	289503	NUT-STOP STUD
21	289504	SCREW-ARMATURE MTG
A1	5180	TERMINAL ASM-CONTACT
A2	6330	SPRING ASM-CONTACT
A3	12516	SPRING ASM-CONTACT
A4	249323	COIL ASM-TERM AND
A5	134966	SPRING ASM-CONTACT
A6	138709	TERMINAL ASM-CONTACT
A7	152612	TERMINAL ASM-CONTACT
A8	286939	WIPER ASM-HUB AND
24	**	NUT-WIPER MTG
25	65756	WASHER-WIPER MTG
26	75533	SCREW-WIPER SET
27	104874	ARM-STOP
28	178631	HUB-RATCHET
AB1	**	ARM ASM-CONTACT
AB2	**	WIPER ASM
19	257174	ARMATURE ASM-OPLR

REF. NO.	PART NO.	PART NAME
31	186283	PIN-PAWL MTG
32	239351	PAWL
REMAINDER OF THIS ASM NOT SUITABLE FOR BREAKDOWN		
A10	287175	ARMATURE ASM-RESTORE
33	23788	RIVET
34	186284	PIN
REMAINDER OF THIS ASM NOT SUITABLE FOR BREAKDOWN		
A11	289502	BANK ASM-RELAY
REMAINDER OF THIS ASM NOT SUITABLE FOR BREAKDOWN		
B	280238	BAR ASM-CIRCUIT BRKR
37	7341	NUT-BRKR BAR SCREW
38	20038	WASHER-BRKR BAR SCR
39	24933	NUT-BRKR POINT LOCK
40	24938	SCREW-BRKR POINT ADJ
41	25282	CLIP-PIVOT SPRING
42	100237	INSULATION-SCREW
43	100204	WASHER-INSULATION
44	118418	SCREW-TERMINAL
45	120134	INSULATION-CONTACT BAR
46	166822	BAR-CB CONTACT MTG
47	173209	SCREW-BRKR ARM MTG
B1	24932	HOLDER ASM-BRKR PT
B2	24961	ARM ASM-BRKR
B3	24969	BRKT ASM-ARM PIVOT
C	280239	SHAFT ASM-CIR BRKR
49	4159	PIN-GEAR TAPEP
50	159844	SHAFT-CB GEAR
C1	166833	GEAR ASM-CB
C	1769	BRUSH ASM-EMITTER
E	120283	EMITTER ASM

REF. NO.	PART NO.	PART NAME
F	134964	CAM ASM-CB 9 AND 10
G	159751	CAM ASM-CB 11
PARTS NOT SHOWN ON SUB ASSEMBLIES		
52	123	NUT-DIAL RELAY MTG
53	244	SCREW-BRG RETAINER
54	338	SCREW-EMITTER MTG
55	2031	SCREW-DIAL RELAY MTG
56	3500	SCREW-BRUSH MTG
57	6318	LWASHER RELAY MTG
58	8192	NUT-RELAY BAR MTG
59	9092	LWASHER-BR HLDR MTG
60	11491	SPACER-RELAY BAR MTG
61	29737	SCREW-RELAY MTG
62	33370	SCREW-BLOCK MTG
63	38381	SCREW-EMIT MTG BRKT
64	38383	SCREW-BR HLDR SLEEVE
65	41087	WASHER-BR HLDR SL
66	50104	SCREW-CB SHAFT RET
67	109317	SCREW-RELAY BAR MTG
68	112055	SCREW-BR HOLDER SET
69	135341	SCREW-CAM SET
70	153479	CLAMP-BRUSH
71	159842	SLEEVE-BRUSH HOLDER
72	159843	BRACKET-EMITTER
73	159847	HOLDER-EMITTER BRUSH
74	166499	BLOCK-DIAL RELAY MTG
75	166823	RETAINER-BEARING
76	166897	BEARING-CB SHAFT
77	167061	CAP-BEARING RETAINER
78	282819	BAR-DIAL RELAY MTG
79	3500	SCREW-BRG RET CAP

** NO PART NUMBERS AVAILABLE



JULY 18, 1954

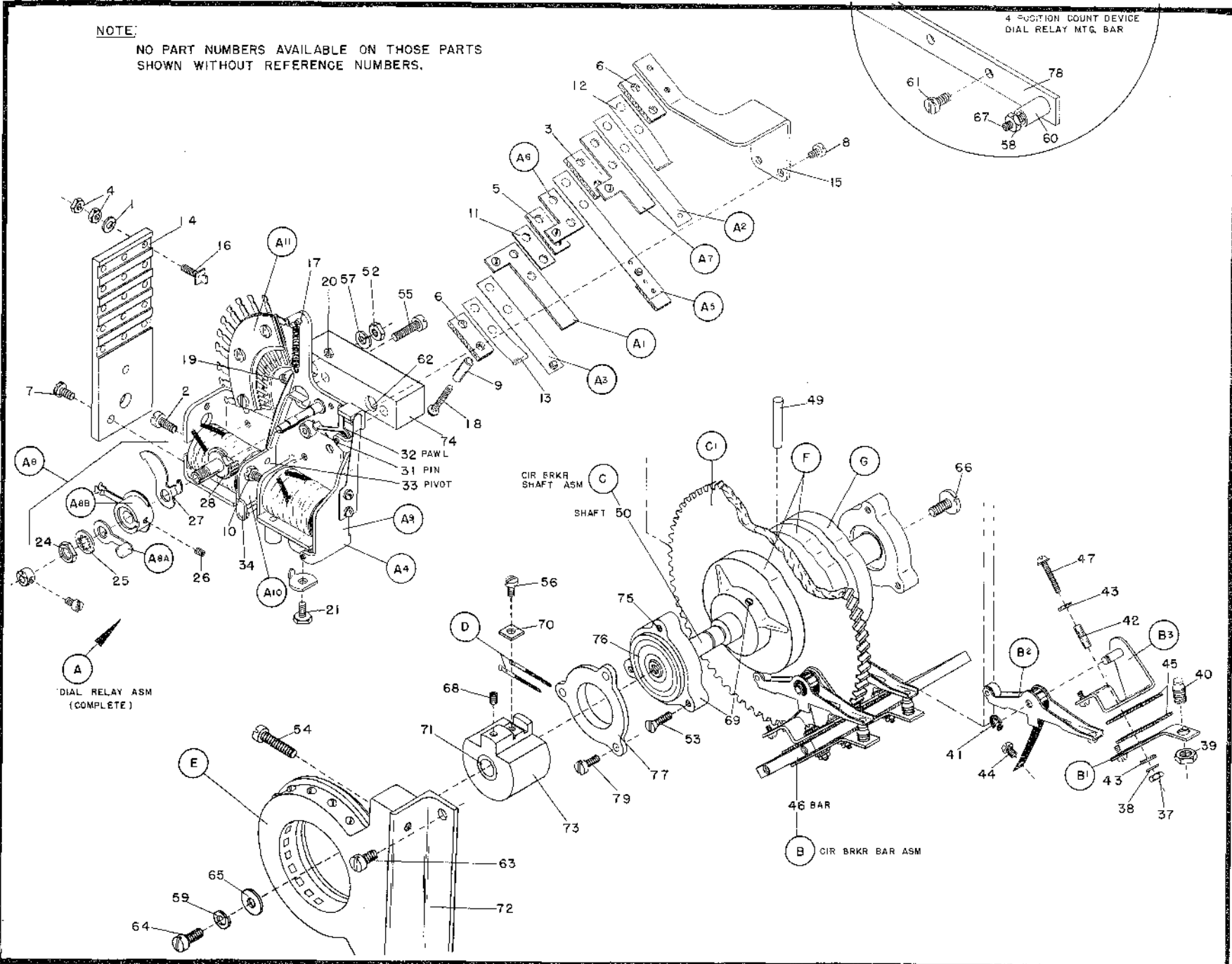
NOTE:

NO PART NUMBERS AVAILABLE ON THOSE PARTS SHOWN WITHOUT REFERENCE NUMBERS.

4 POSITION COUNT DEVICE
DIAL RELAY MTG. BAR

FIG. 077-30

OPTIONAL FEATURES
CARD COUNTING GROUP



REF. NO.	PART NO.	PART NAME
A	103509	LUB ASM-CONT ROLL
1	14803	SPRING-FELT PUSHER
2	147297	CLIP-FELT PUSH SPRING
A1	103511	PUSHER ASM-FELT
A2	193013	FRAME ASM-LUBRICATOR
B	193076	ROLL ASM-SEC CONTACT
4	10574	NUT-CONT ROLL SHAFT
5	50104	SCREW-CONT ROLL SH
6	141998	KEY-CR END SECTION
7	142370	BEARING-CONT ROLL
8	142372	GEAR-CONT ROLL DRIVE

REF. NO.	PART NO.	PART NAME
9	159578	BUSHING-CONT ROLL
10	160942	SCREW-GEAR SET
11	167490	SLEEVE-BEARING
12	179966	WASHER-CR SHAFT
13	180355	SPACER-CONT RI. SHAFT
14	180364	KEY-DRIVEN GEAR
B1	141898	SHAFT ASM-CONT ROLL
B2	142371	GEAR ASM-CR DRIVEN
C	196603	ROLL ASM-BRUSH GUIDE
16	78605	PIN-GEAR RETAINING
17	180429	GEAR-GUIDE ROLL

REF. NO.	PART NO.	PART NAME
C1	196602	SHAFT ASM-GUIDE ROLL
D	286947	GUIDE ASM-FIXED CARD
PARTS NOT SHOWN ON SUB ASSEMBLIES		
20	673	SCREW-LUBRICATOR MTC
21	103513	FELT-CR LUBRICATOR
22	196652	SPACER-GUIDE ROLL

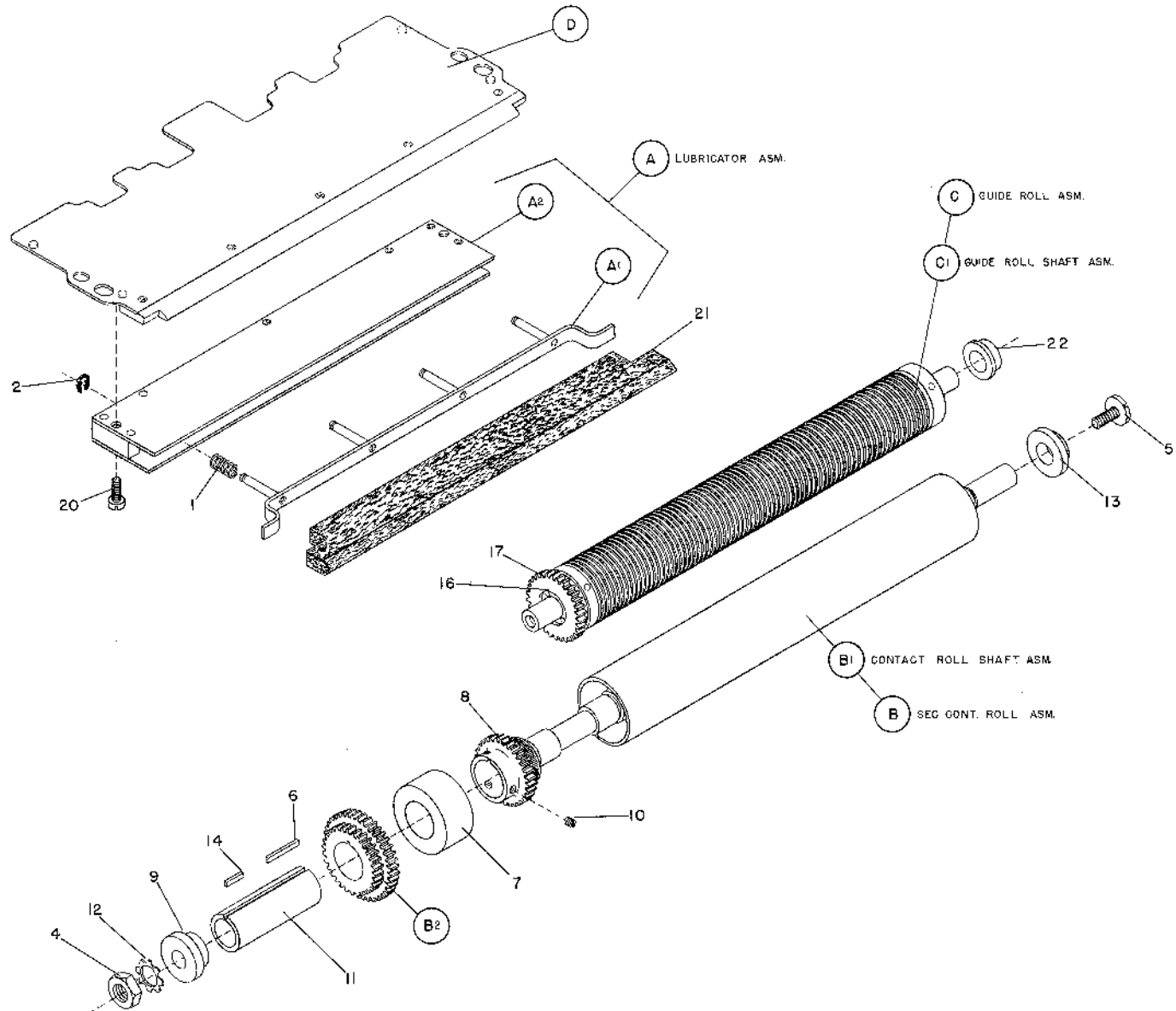
FIGURE 077-31



JULY 15, 1964

FIG. 077-31

PAGE 53



OPTIONAL FEATURES
STD. SPEED SEC. CONT. ROLL WITH LUBRICATOR

REF. NO.	PART NO.	PART NAME
A	103509	LUB ASM-CONT ROLL
B	103510	LUB ASM-CONT ROLL
1	14803	SPRING-FEEL PUSH
2	147297	CLIP-FEEL PUSH SPR
B1	103511	PUSHER ASM-FELT
B2	193015	FRAME ASM-LUBRICATOR
C	193075	ROLL ASM-PRI CONTACT
4	10574	NUT-CONT ROLL SHAFT
5	50104	SCREW-CONT RL SHAFT
6	129820	GEAR-CR DRIVEN
7	141998	KEY-CR END SECTION
8	142370	BEARING-CONT ROLL

REF. NO.	PART NO.	PART NAME
9	142372	GEAR-CONT ROLL DRIVE
10	159578	BUSHING-CONT ROLL
11	160942	SCREW-GEAR SET
12	167490	SLEEVE-BEARING
13	179966	WASHER-CR SHAFT
14	180355	SPACER-CR SHAFT
15	180364	KEY-CR DRIVEN GEAR
C1	141898	SHAFT ASM-CONT ROLL
D	193027	GUIDE ASM-LONG CARD
E	196603	ROLL ASM-BRUSH GUIDE
17	78605	PIN-GEAR RETAINING

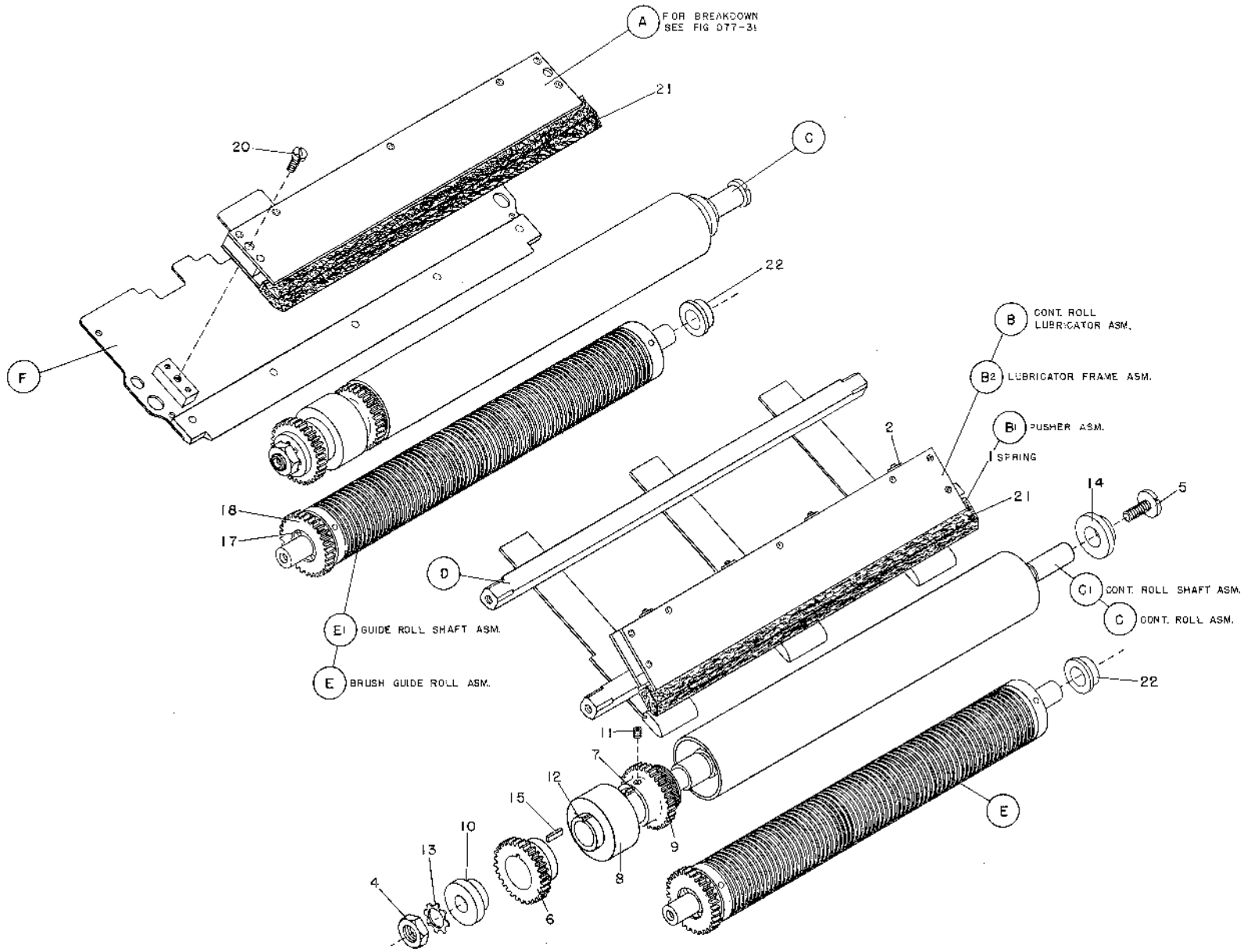
REF. NO.	PART NO.	PART NAME
18	180429	GEAR-GUIDE ROLL
E1	196602	SHAFT ASM-GUIDE ROLL
F	286947	GUIDE ASM-FIXED CARD
PARTS NOT SHOWN ON SUB ASSEMBLIES		
20	673	SCREW-LUBRICATOR MTG
21	103513	FELT-CR LUBRICATOR
22	196652	SPACER-GUIDE ROLL



JULY 15, 1954

FIG. 077-32

PAGE 57



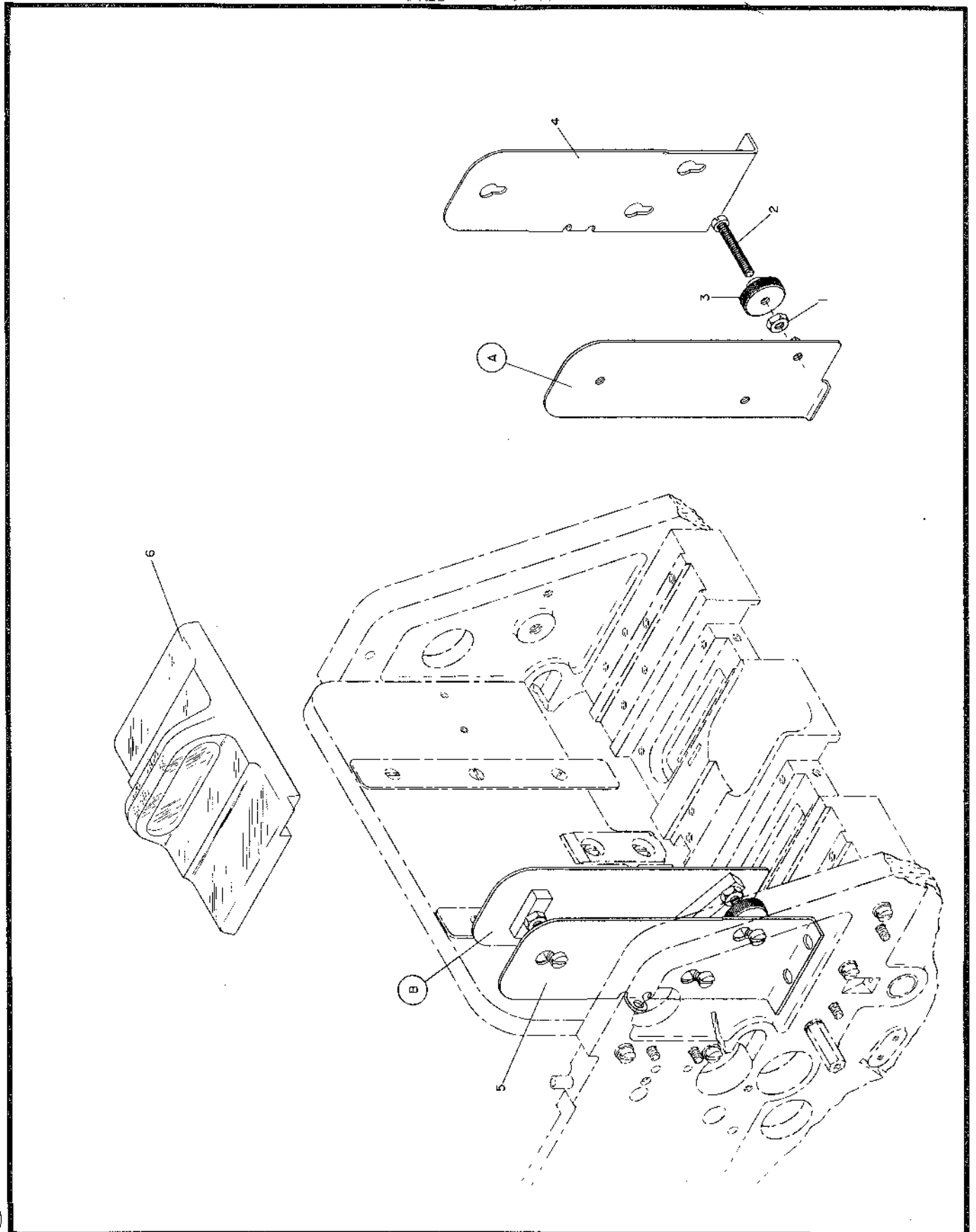
OPTIONAL FEATURES
STD. SPEED PRI CONT. ROLL WITH LUBRICATOR

REF. NO.	PART NO.	PART NAME
A	286398	PLATE ASM-ADJUST-RH
B	286399	PLATE ASM-ADJUST-LH

REF. NO.	PART NO.	PART NAME
PARTS NOT SHOWN ON SUB ASSEMBLIES		
1	11598	NUT-ADJ SIDE PL LOCK
2	38392	SCREW-ADJ SIDE PL MTC

REF. NO.	PART NO.	PART NAME
3	128270	NUT-ADJ SIDE PL THUMB
4	286400	PLATE-MAG SIDE-RIGHT
5	286401	PLATE-MAG SIDE-LEFT
6	286441	WEIGHT-51 COL CARD

OPTIONAL FEATURES
COMB. 51 & 80 COLUMN FEED



JULY 15, 1954

FIG. 077-33

REF. NO.	PART NO.	PART NAME
A	147008	PLATE ASM-AUX STKR
B	286662	SPRING ASM-AUX STKR
C	286701	PLATE ASM-SHIFT
D	286704	SHAFT ASM-SPR SHIFT
1	19167	PIN-TAPER
2	286700	BRACKET-MOUNTING
3	286710	SPACER-SHIFT SHAFT
4	286725	SHAFT-SPRING SHIFT
D1	286712	ARM ASM-SPRING ANCH
D2	286931	ARM ASM-SPRING ANCH

REF. NO.	PART NO.	PART NAME
E	286706	SHAFT ASM-SHIFT CONT
6	5771	PIN-SHIFT ARM TAPER
7	126736	PIN-SHIFT CONT TAPER
8	149599	SHAFT-SHIFT CONTROL
E1	286716	ARM ASM-SHIFT CONT
E2	286718	ARM ASM-STKR SHIFT
PARTS NOT SHOWN ON SUB ASSEMBLIES		
10	358	SCREW-SHIFT CONT BRKT
11	443	SCREW-SHAFT BRKT MTG

REF. NO.	PART NO.	PART NAME
12	38380	SCREW-SHAFT BRKT MTC
13	60489	CLIP-LINK RET SPRING
14	105792	PIN-NAME PLATE
15	145921	SPRING-51 CGL STKR
16	147297	CLIP-SPRING RETAIN
17	286663	PLATE-STACKER NAME
18	286702	BRACKET-SHIFT SHAFT
19	286703	BAP-SHAFT SUPT
20	286705	LINK-SPR ANCHOR ARM
21	286707	BRACKET-SHIFT CONT P
22	286708	BRACKET-SHIFT CONT F
23	286709	YOKE-AUX STKR SPRING
24	286698	POST-STKR SUPT BAR
25	286699	STUD-SHIFT PL SUPT

FIGURE 077-34

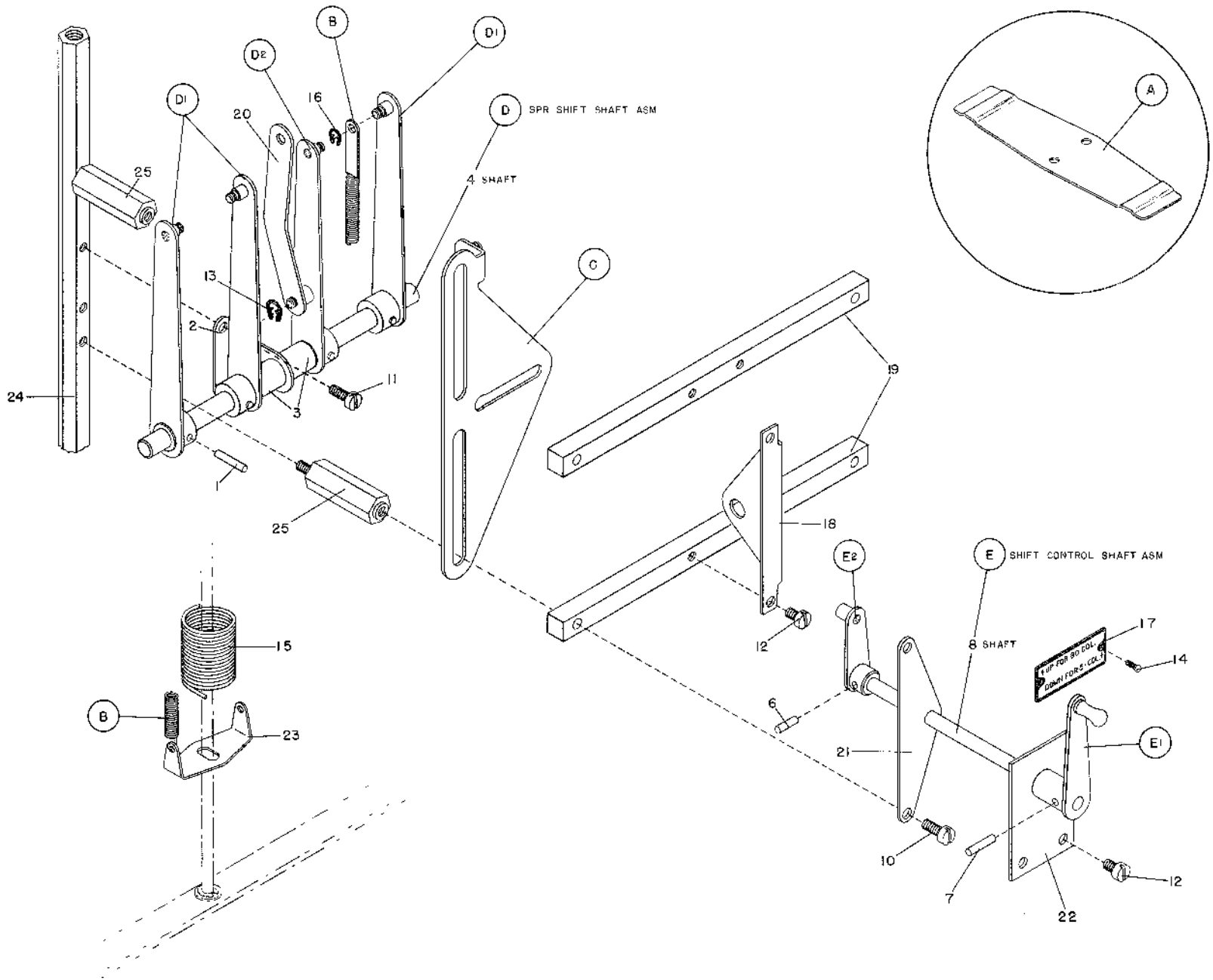
DATE JULY 15, 1959



JULY 15, 1954

FIG. 077-34

PAGE 71



OPTIONAL FEATURES
51-80 COIL STACKER SPRING SHAFT ASM.

REF. NO.	PART NO.	PART NAME
A	173916	CABINET ASM-TUBE
1	227	WASHER-TERMINAL SCR
2	294	SCREW-SUPPORT BLDCK
3	294	SCREW-RESISTOR MTG
4	478	NUT-TERMINAL SCREW
5	2994	SCREW-CABLE CLAMP
6	3550	WASHER-RUBBER MOUNT
7	3960	NUT-CHASS RUB MOUNT
8	4085	WASHER-TERM BLK MTG
9	4085	WASHER-TERM SCREW
10	7341	NUT-MTG SCREW
11	9092	LWASHER-CABLE CLAMP
12	11891	NUT-CABLE CLAMP SCR
13	18491	SCREW-CHASSIS COVER
14	45690	WASHER-CABLE CLAMP
15	61993	BUSHING-INSULATION

REF. NO.	PART NO.	PART NAME
16	62031	LWASHER-SUPPORT BLK
17	62031	LWASHER-RESISTOR MT
18	124404	BAR-COMMON BUSS
19	126520	SPACER-CHASS TUB MT
20	127275	BAR-COMMON BUSS
21	159571	BLOCK-TERMINAL
22	159572	BLOCK-SUPPORT
23	166668	CLAMP-CABLE
24	169129	RESISTOR-4700 OHM
25	169410	RESISTOR-10 M OHM
26	173209	SCREW-TERMINAL
27	173210	SCREW-TERM BLK MTG
28	173919	COVER-CHASSIS
29	179254	SCREW-LOCK
A1	72718	MOUNT ASM-RUBBER
A2	116509	RESISTOR ASM

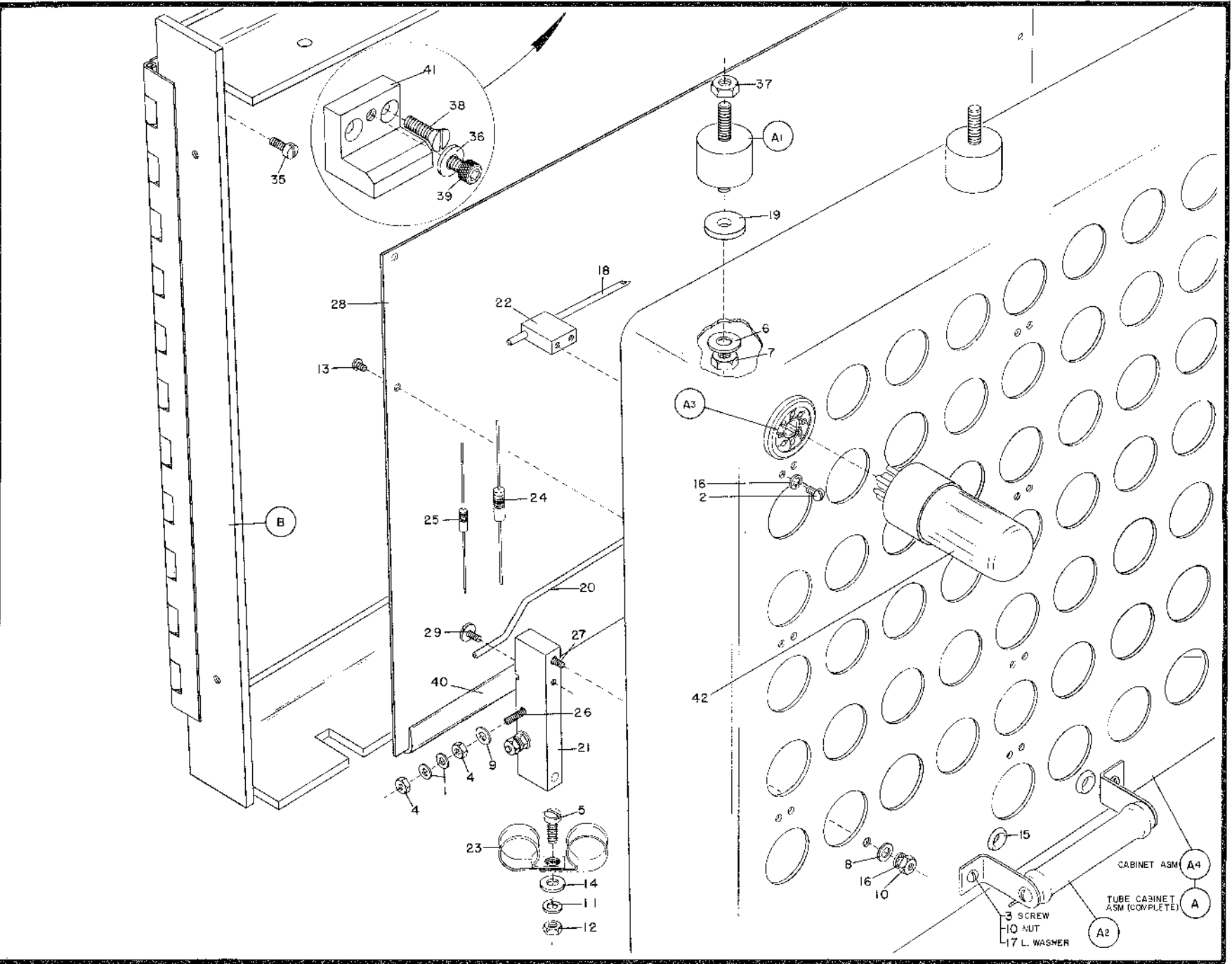
REF. NO.	PART NO.	PART NAME
A3	170589	SOCKET ASM-TUBE
A4	173915	CABINET ASM-TUBE
B	173910	FRAME ASM-CHASSIS
PARTS NOT SHOWN ON SUB ASSEMBLIES		
35	337	SCREW-CHASSIS FRAME
36	3550	WASHER-FRAME ASM LK
37	3960	NUT-TUBE CHASSIS MT
38	25895	SCREW-FRAME LATCH
39	127702	SCREW-FRAME ASM LK
40	124822	RUBBER-CHANNEL
41	173922	LATCH-FRAME
42	192906	TUBE-25L6 VACUUM



JULY 15, 1954

FIG. 077-35

PAGE 73

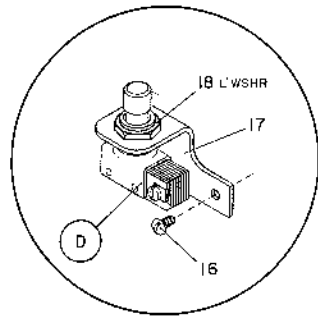


OPTIONAL FEATURES
VACUUM TUBE UNIT CABINET ASM.

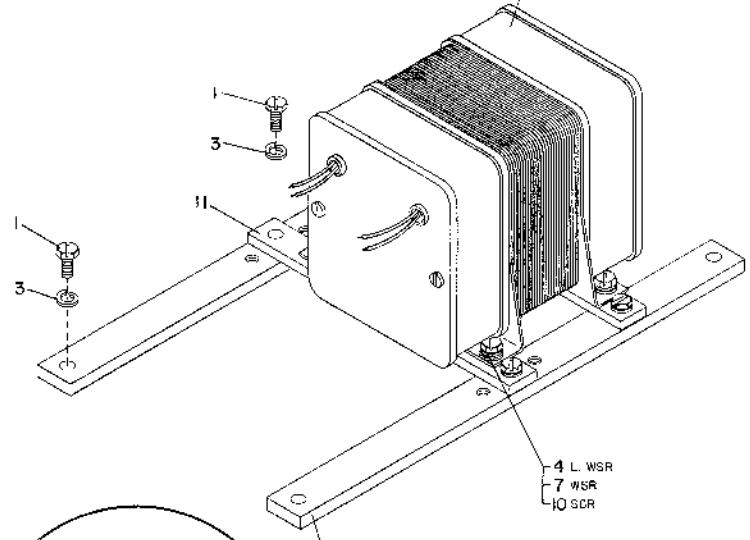
REF. NO.	PART NO.	PART NAME	REF. NO.	PART NO.	PART NAME	REF. NO.	PART NO.	PART NAME
A	249321	TRANSFORMER ASM-ISOL 115V 25-50-60 CY	C	184341	CORD ASM-NON GROUND DC OR AC-1 PHASE	6	11598	NUT-BAFFLE PLATE MTG
A	149971	TRANSFORMER ASM-ISOL 230V 50-60 CY	C	179124	CORD ASM-NON GROUND AC-2 OR 3 PHASE	7	13035	WASHER-TRANS MTG
A	186402	TRANSFORMER ASM-ISOL 230V 25 CY	D	215679	SWITCH ASM-INTERLOCK	8	60489	CLIP-COV FAST SPRING
A	186799	TRANSFORMER ASM-ISOL 150-208V 50-60 CY	PARTS NOT SHOWN ON SUB ASSEMBLIES			9	103315	PLATE-COVER BAFFLE
B	173898	COVER ASM-TUBE UNIT	1	5471	SCREW-TRANS MTG BAR	10	103423	SCREW-TRANS MTG
C	155020	CORD ASM-GROUNDED DC OR AC-1 PHASE	2	6087	SCREW-BAFFLE PLATE	11	143394	BAR-TRANSFORMER MTG
C	155021	CORD ASM-GROUNDED AC 2 OR 3 PHASE	3	7192	LWASHER-TRANS BAR	12	155064	LEG-LEFT REAR
			4	7192	LWASHER-TRANS MTG	13	155065	LEG-LEFT FRONT
			5	9052	LWASHER-BAFFLE PLATE	14	167054	SCREW-COVER FASTEN
						15	167054	BAR-TRANSFORMER MTG
						16	18491	SCREW-SWITCH BRKT
						17	120445	BRACKET-INTLK SWITCH
						18	159373	LWASHER-SWITCH MTG



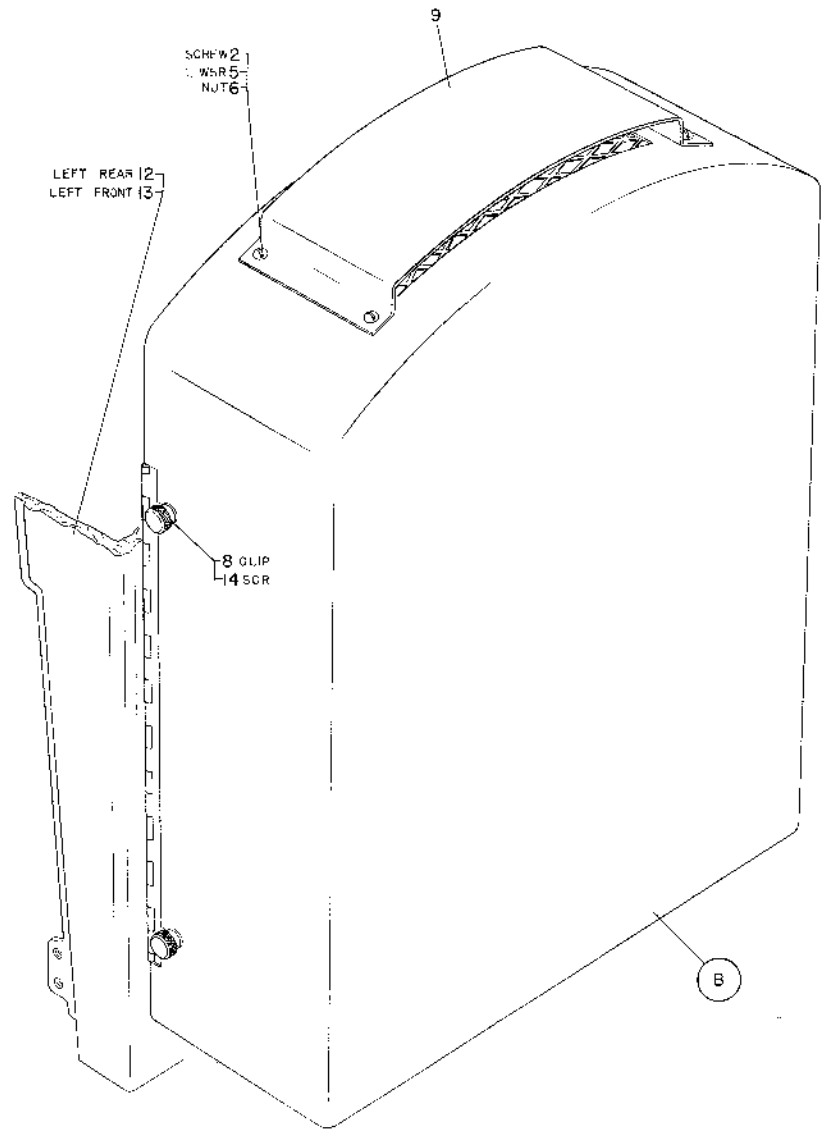
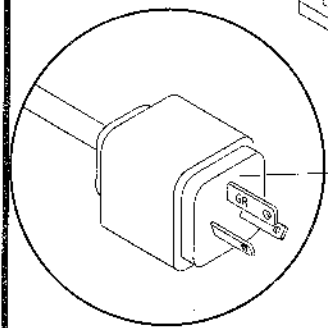
JULY 16, 1954



- ISOLATION TRANSFORMER
ASM 115 V 25/50/60 CY (A)
- ISOLATION TRANSFORMER
ASM 230 V 5C/60CY (A)
- ISOLATION TRANSFORMER
ASM 230V 25CY (A)
- ISOLATION TRANSFORMER
ASM 150/208V 50/60CY (A)



- (C) GROUNDED CORD ASM.
DC OR AC 1 PHASE
- (C) GROUNDED CORD ASM.
AC 2 OR 3 PHASE
- (C) NON-GROUNDED CORD ASM.
DC OR AC 1 PHASE
- (C) NON-GROUNDED CORD ASM.
AC 2 OR 3 PHASE



OPTIONAL FEATURES
ISOL. TRANSFORMER & TUBE UNIT COVER ASM'S.

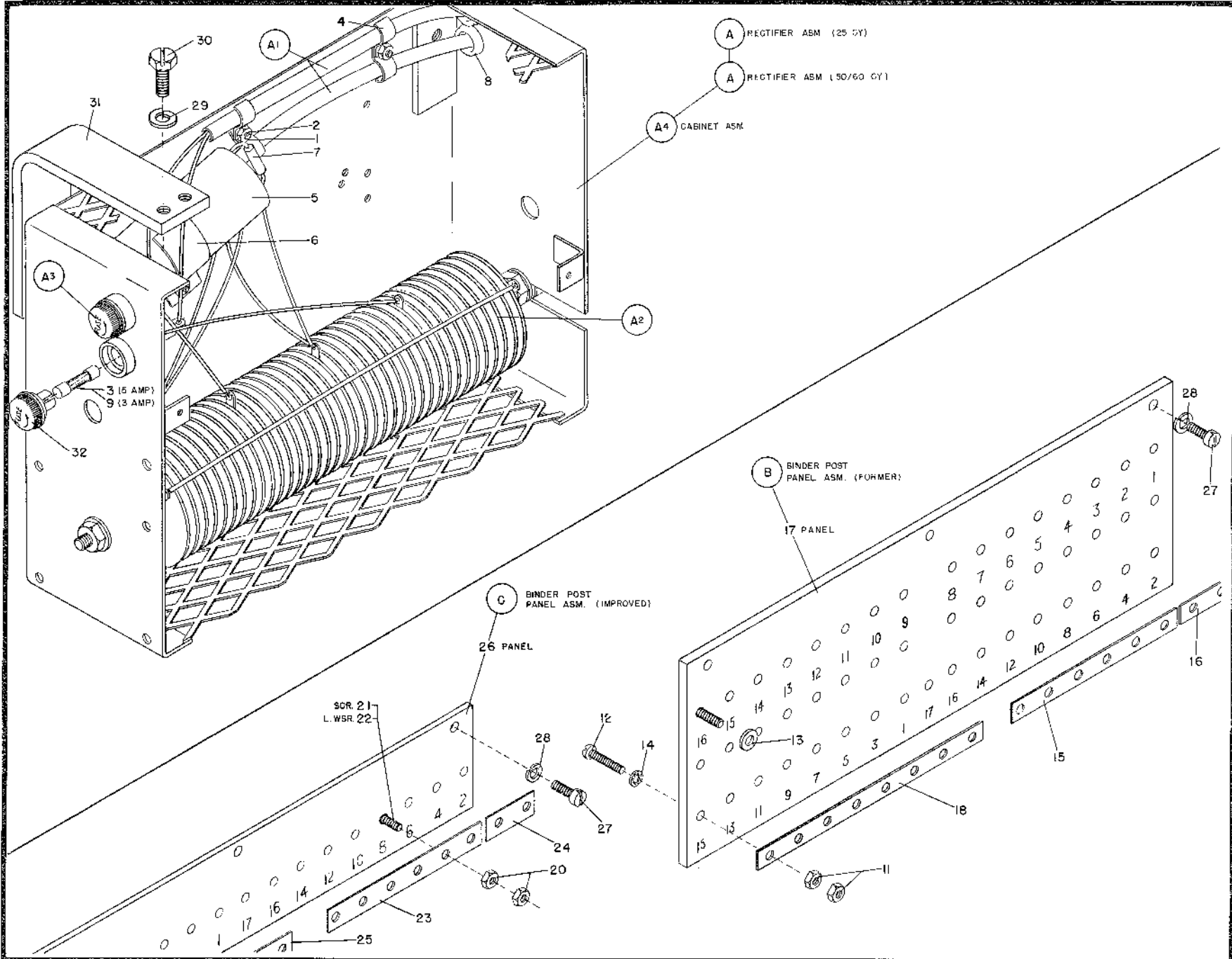
FIG. 077-36

REF. NO.	PART NO.	PART NAME	REF. NO.	PART NO.	PART NAME	REF. NO.	PART NO.	PART NAME
A	103080	CABINET ASM-RECTIFIER 50-60 CYCLE	A3	179946	HOLDER ASM-FUSE	22	60646	LWASHER-TERM SCREW
A	103086	CABINET ASM-RECTIFIER 25 CYCLE	A4	189805	CABINET ASM	23	155066	STRIP-COMMON
1	92	SCREW-MTG	B	155068	PANEL ASM-BIND POST	24	155067	STRIP-COMMON
2	7341	NUT-MTG SCREW	11	123	NUT-TERMINAL	25	167057	STRIP-COMMON
3	123786	FUSE-5 AMP	12	893	SCREW-TERMINAL	26	249341	PANEL-BINDER POST
4	141344	CLAMP-CABLE	13	22478	WASHER-TERMINAL	PARTS NOT SHOWN ON SUB ASSEMBLIES		
5	167726	CONDENSER	14	60646	LWASHER-TERM SCREW	27	2994	SCREW-PANEL MTG
6	167740	CLAMP-CONDENSER MTG	15	155066	STRIP-COMMON	28	9092	LWASHER-PANEL MTG
7	182876	RESISTOR-30000 OHM	16	155067	STRIP-COMMON	29	37073	LWASHER-BRACKET MTG
8	53193	GROMMET-RUBBER	17	166916	PANEL-BINDER POST	30	38686	SCREW-BRACKET MTG
9	6324	FUSE-3 AMP	18	167057	STRIP-COMMON	31	103324	BRACKFT-RECT CAB MTG
A1	103083	CABLE ASM	C	255971	PANEL ASM-BIND POST	32	285302	CAP-FUSE
A2	170184	RECTIFIER ASM-SEL	20	123	NUT-TERMINAL			
			21	893	SCREW-TERMINAL			



JULY 15, 1954

FIG 077-37



OPTIONAL FEATURES
RECTIFIER CABINET & BINDER POST PANEL ASM

REF. NO.	PART NO.	PART NAME
A	123928	COUNTER ASM-VEEDEF
1	443	SCREW-SUPPORT
2	3500	SCRFW-BLOCK MTG
3	3500	SCREW-ROTOR MTG
4	23557	SCRFW-POLE PIECE MT
5	23931	NUT-BUMPER ADJUST
6	28760	SCREW-COUNTER MTG
7	38383	SCREW-MAGNET MTG
8	38450	SCREW-BRACKET MTG
9	56121	LWASHER-SUPT SCREW
10	114308	ROTOR-MAGNET
11	114309	PIECE-POLE
12	114549	SCREW-SPINDLE
13	114675	SUPPORT-POLE
14	114676	SUPPORT-POLE
15	117099	HUG-GFAR

REF. NO.	PART NO.	PART NAME
16	123780	SCREW-SPINDLE SET
17	133758	SCREW-WHELL SET
18	136350	WHEEL-RESET
19	163899	LWASHER-ROTOR MTG
20	173877	BRACKET-POSITIONING
21	173878	BRACKET-BUMPER MTG
22	178036	BRACKET-ARMATURE
A1	103188	COIL ASM-BLOCK AND
A1A	116313	BLOCK ASM-TERMINAL
25	12936	NUT-CONNECTOR LOCK
26	114772	BLOCK-TERMINAL
27	114773	CONNECTOR-TERMINAL
		REMAINDER OF THIS ASM NOT SUITABLE FOR BREAKDOWN
A2	116041	COUNTER ASM-VEEDEF
A3	116314	BUMPER ASM-POLE PCE

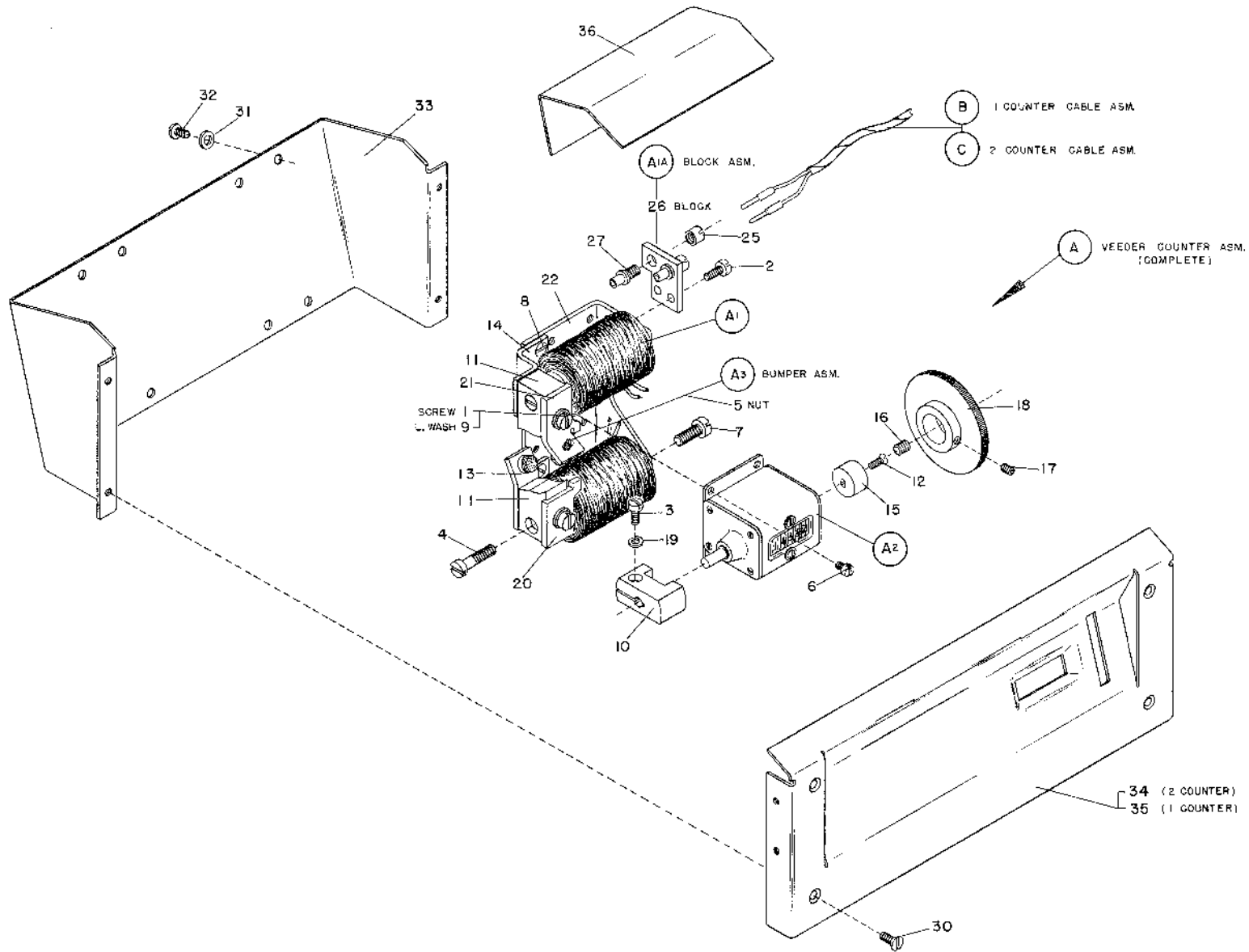
REF. NO.	PART NO.	PART NAME
B	192667	CABLE ASM-NO 1 CTR
C	283797	CABLE ASM-NO 2 CTR
PARTS NOT SHOWN ON SUB ASSEMBLIES		
30	23363	SCREW-COUNTER COVER
31	45690	WASHER-CNTR MTG SCR
32	103900	SCREW-COUNTER MTG
33	159817	BRACKET-COUNTER MTG
34	159818	PLATE-MAGAZINE COVER
35	160488	PLATE-MAGAZINE COVER
36	289025	COVER-COUNTER DUST



JULY 15, 1954

FIG. 077-38

PAGE 79



OPTIONAL FEATURES
AUX CARD COUNTER

077 ALPHABETIC SECTION

The following section consists of parts and assemblies peculiar to the ALPHABETIC Model 077.

For other Alphabetic parts and assemblies, see the 077 NUMERIC section.

REF. NO.	PART NO.	PART NAME	REF. NO.	PART NO.	PART NAME	REF. NO.	PART NO.	PART NAME
A	104000	GUIDE ASM-ZONE CARD	14	186736	SUPPORT-CARD LEVER	29	209823	HOLDER-COMMON BRUSH
1	14803	SPRING-FELT PUSHER	15	196698	SCREW-CARD LEVER MT	30	110339	SHAFT-COM BR HOLDER
2	104011	GUIDE-CARD	F1	104008	LEVER ASM-READ CARD	31	110484	INSULATION-SHAFT
3	104013	CONTAINER-FELT	F2	166907	SHAFT ASM-CARD LEV	32	133798	SCREW-HOLDER SET
4	104014	SPACER-FELT RETAIN	G	117183	ROLL ASM-CONTACT	PARTS NOT SHOWN ON SUB ASSEMBLIES		
5	109315	SCREW-FELT CONTAIN	17	29980	PIN-GEAR TAPER			
6	218944	BAR-REINFORCING	18	117174	GEAR-SPUR			
A1	104015	PUSHER ASM-FELT	19	157041	GEAR-SPUR			
B	104379	GUIDE ASM-CARD	G1	218803	SHAFT ASM-CONT ROLL			
C	104380	GUIDE ASM-CARD	H	215679	SWITCH ASM-INTLOCK			
D	104394	LEVER ASM-CARD	J	255870	HOLDER ASM-COM BR			
E	104396	CONTACT ASM-CO LEV	J1	1769	BRUSH ASM-RETARDED			
8	11900	BLOCK-INSULATION	J2	109339	BRUSH ASM-ADVANCED			
9	100229	INSULATION-SCREW	J3	229484	HOLDER ASM-COM BR			
10	173215	SCREW-CONTACT MTG	21	7341	NUT-TERMINAL	35	72	SCREW-BR HOLDER MTG
E1	5180	TERMINAL ASM-CONT	22	8192	NUT-BRUSH BAR MTG	36	541	SCREW-PRESSE BRKI MT
E2	24957	TERMINAL ASM-CONT	23	20038	WASHER-BRUSH MTG	37	15616	NUT-CONT ROLL GEAR
E3	139724	SPRING ASM-CONTACT	24	20038	WASHER-TERMINAL	38	18491	SCREW-SW BRKT MTG
E4	139725	SPRING ASM-CONTACT	25	22651	SPACER-TERMINAL	39	23556	SCREW-CARD GUIDE MT
F	117179	LEVER ASM-READ CARD	26	104435	BLOCK-COM BRUSH BAR	40	23956	SCREW-CARD GUIDE MT
12	23095	PIN-TAPER	27	186636	SCREW-BRUSH MTG	41	24511	WASHER-CARD GDL MTG
13	163895	WASHER-CARD LEVER	J3A	109916	WIRE ASM-TERMINAL	42	104002	FELT-ROLL CLEANER
			J3B	109917	WIRE ASM-TERMINAL	43	104003	BLOCK-CARD GUIDE MT
			J3C	255869	HOLDER ASM-COM BR	44	120445	BRACKET-SWITCH MTG
						45	123206	CLIP-CO LEV SPRING
						46	134978	STRIP-INSULATING
						47	159373	LWASHER-SWITCH MTG
						48	167082	PIVOT-CARD LEVER
						49	190376	BRACKET-PRESSURE
						50	218970	GEAR-SPIPAL
						51	218971	SPACER-SPIRAL GEAR
						52	2032	SCREW-CARD GUIDE MT

* WITH BRUSHES-NOT SUITABLE FOR FIELD REPLACEMENT.



AS711, 1964

ALPHABETIC MODEL
SEC. CARD GUIDE & ZONE CONTACT ROLL ASMS.

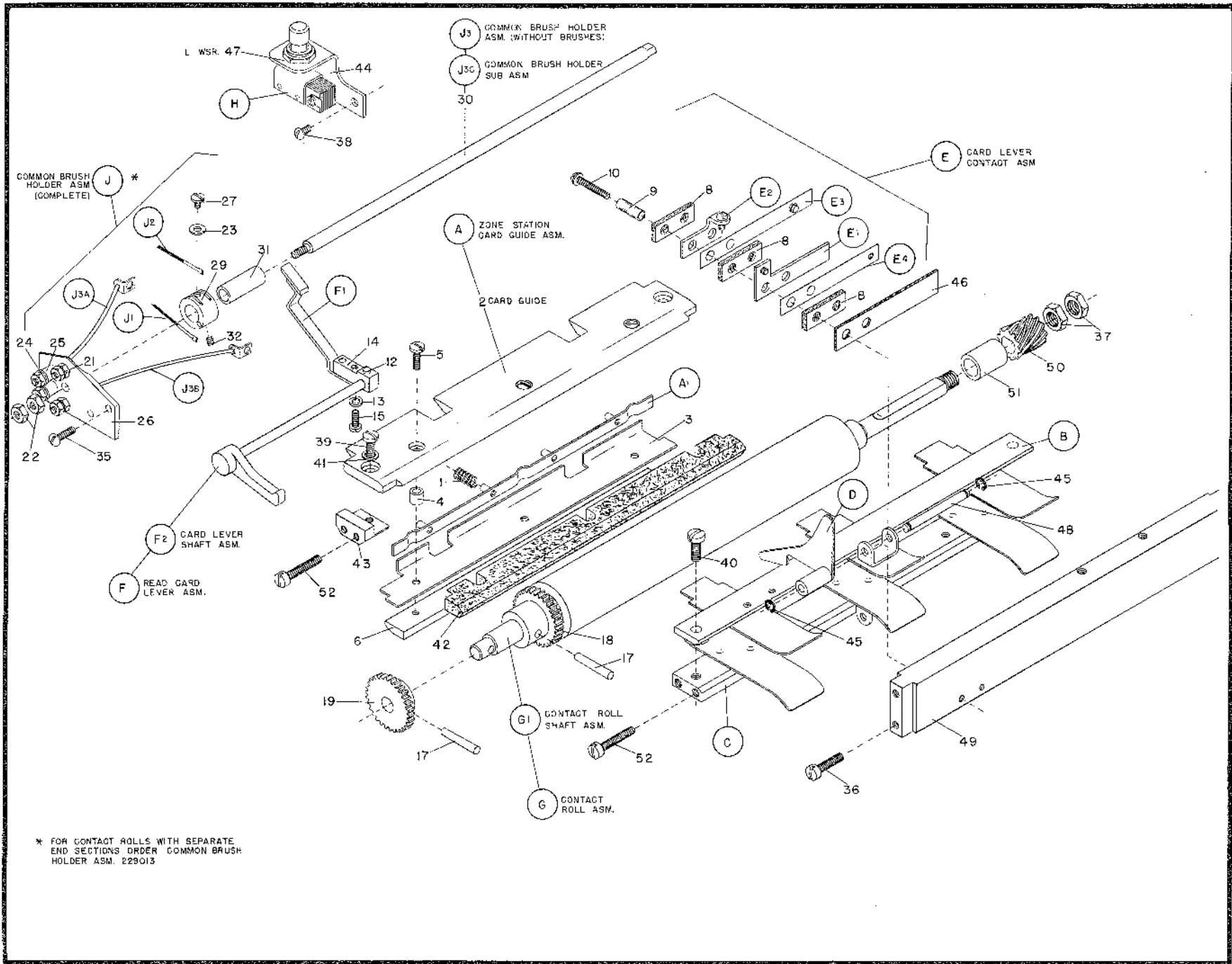


FIG. 077-39

* FOR CONTACT ROLLS WITH SEPARATE
END SECTIONS ORDER COMMON BRUSH
HOLDER ASM. 229013

REF. NO.	PART NO.	PART NAME
A	284406	FRAME ASM-BR HOLDER
1	186	SCREW-BLOCK MTG
2	3500	SCREW-BR HOLDER MTG
3	10235	SCREW-BR HOLDER MTG
4	11598	NUT-LATCH MTG
5	22587	STUD-SPRING ANCHOR
6	41117	SCREW-LATCH MTG
7	60488	CLIP-BRG HSG SPRING
9	114201	WASHER-BR HOLD MTG
10	126572	SPRING-PR UN LATCH
11	166648	PLATE-PRESSURE
12	167498	SPRING-ROLL
13	192896	LATCH-BUSH UNIT
14	196652	SPACER-GUIDE ROLL
15	197474	BLOCK-HOLDER LOCATE
16	197475	SCREW-BLOCK AL'GN
17	214490	STUD-BR UNIT LATCH
A1	117182	ROLL ASM-GUIDE
19	78605	PIN-CLAR RETAINING
20	180429	GEAR-SPUR
A1A	141992	SHAFT ASM-GUIDE RL
A2	178779	HOLDER ASM-BRUSH
22	344	PIN-BUSHING HOLD
23	12970	SCREW-BRUSH CLAMP

REF. NO.	PART NO.	PART NAME
24	28767	BUSHING-BLK MIG SCR
25	120100	BLOCK-BRUSH HOLDER
26	154404	NUT-CLAMPING SCREW
A2A	207785	BRUSH ASM
A3	182882	SHAFT ASM-HOLD LOCK
28	44507	PIN-CAM TAPER
29	101805	WASHER-FRICTION
30	166651	HANDLE-LOCK SHAFT
31	167416	SHAFT-LOCK CAM
A3A	166658	CAM ASM-LOCK
A3B	166659	CAM ASM-LOCK
A4	196603	ROLL ASM-GUIDE
33	78605	PIN-GEAR RETAINING
34	180429	GEAR-SPUR
A4A	196602	SHAFT ASM-GUIDE RL
A5	281065	HOUSING ASM-BEARING
36	142454	HOUSING-BEARING
37	142457	BEARING-PIVOT
38	142459	BEARING-ROLL
A6	281066	HOUSING ASM-BEARING
40	142453	HOUSING-BEARING
41	142457	BEARING-PIVOT
42	142459	BEARING-ROLL
A7	284433	GUIDE ASM-FRAME AND

REF. NO.	PART NO.	PART NAME
44	99	SCREW-SUPT FOR MTG
45	4236	SCREW-CARD GDF MTG
46	167417	ROC-BR UNIT SUPPORT
47	195309	PIN-TAPER
A7A	104377	FRAME ASM-FRNT SIDE
A7B	104362	GUIDE ASM-CARD
49	143549	RIVET-CARD GUIDE
50	167072	GUIDE-CARD
REMAINDER OF THIS ASM NOT SUITABLE FOR BREAKDOWN		
A7C	196882	FRAME ASM-REAR SIDE
B	104422	CABLE ASM-BR TO CNTRL PNL
PARTS NOT SHOWN ON SUB ASSEMBLIES		
52	337	SCREW-BRKT MTG
53	12132	SCREW-CLAMP MTG
54	166614	SHAFT-BR UNIT PIVOT
55	166668	CLAMP-CABLE
56	166669	BRACKET-CABLE CLAMP

ALPHABETIC MODEL
SECONDARY BRUSH HOLDER FRAME ASM.

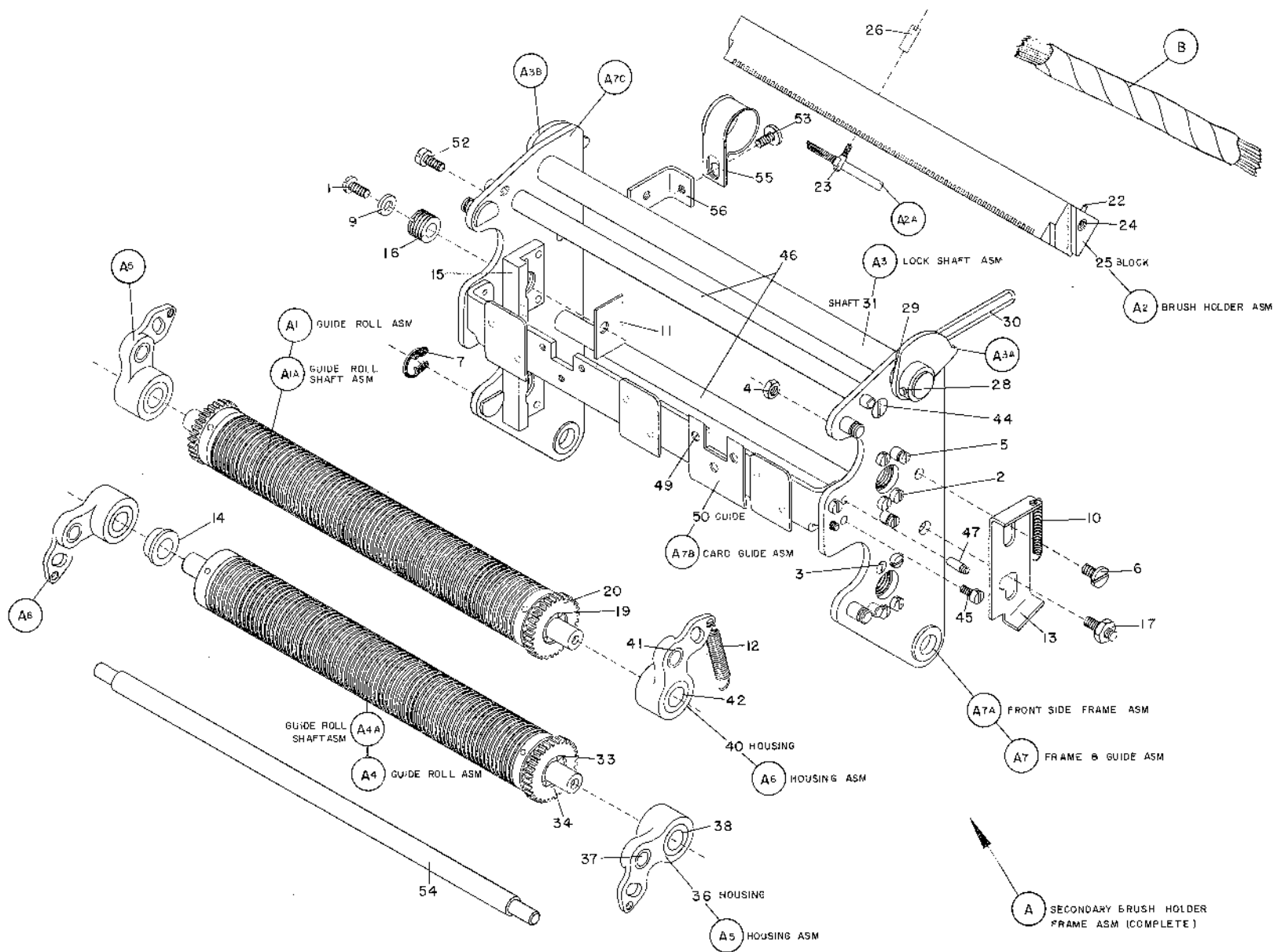


FIG. 077-40

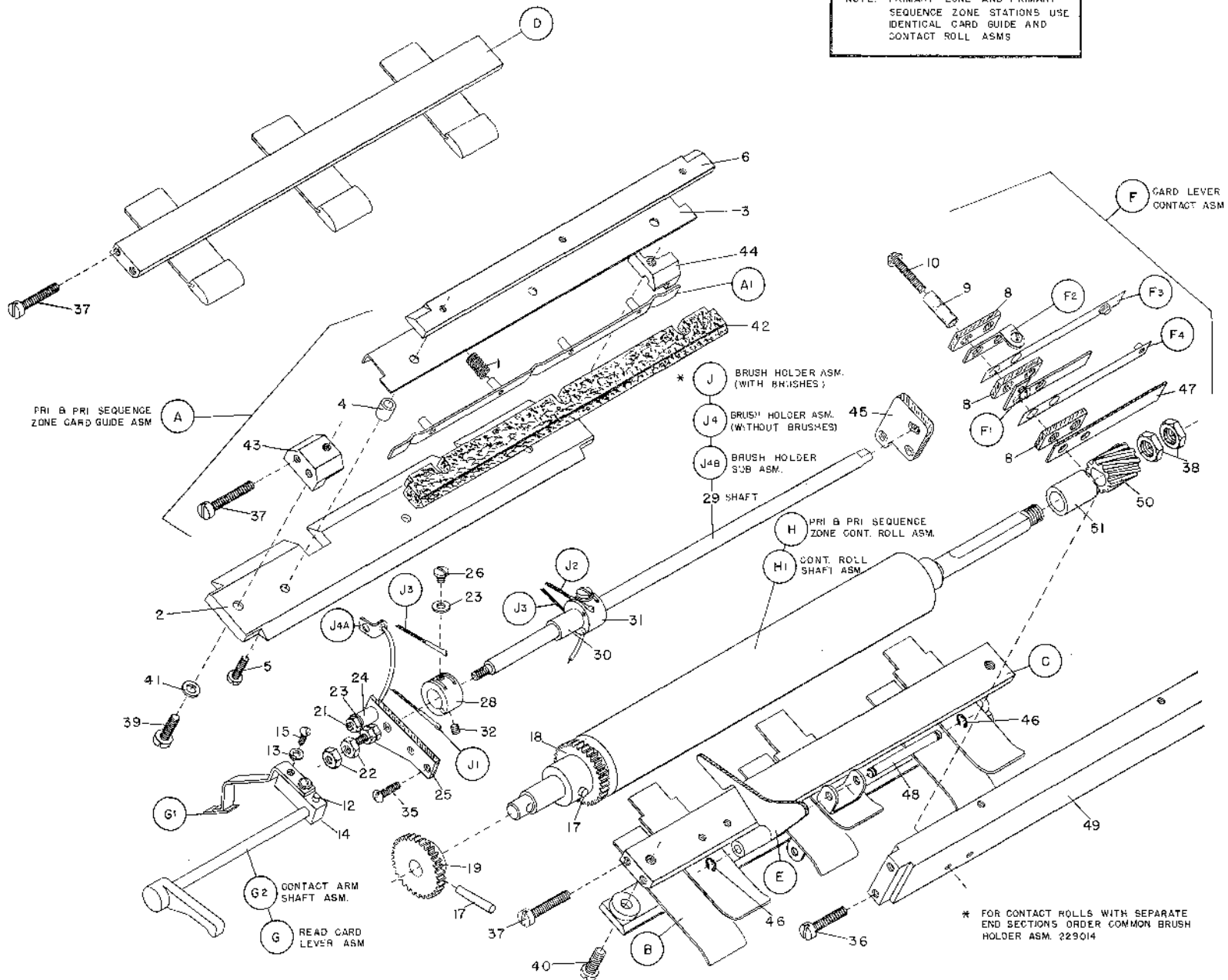
REF. NO.	PART NO.	PART NAME	REF. NO.	PART NO.	PART NAME	REF. NO.	PART NO.	PART NAME
A	104000	GUIDE ASM-ZONE CARD	12	23096	PIN-TAPER	29	110339	SHAFT-COM BR HOLD
1	14803	SPRING-FELT PUSHER	13	163899	WASHER-LEV MTC SCR	30	110484	INSULATION-SHAFT
2	104031	GUIDE-CARD	14	186756	SUPPORT-CARD LEVER	31	110487	HOLDER-BRUSH
3	104013	CONTAINER-FELT	15	196698	SCREW-CARD LEV MTC	32	133758	SCREW-BR HOLDER SET
4	104014	SPACER-FELT RETAIN	G1	104008	LEVER ASM-READ CARD			
5	109315	SCREW-FELT CONTAIN	G2	166906	SHAFT ASM-CONT ARM			
6	218544	BAR-REFINFORCING						
A1	104013	PUSHER ASM-FELT	H	117183	ROLL ASM-ZONE CONT	PARTS NOT SHOWN ON SUB ASSEMBLIES		
			17	29580	PIN-GEAR TAPER			
B	104379	GUIDE ASM-CARD	18	117174	GEAR-SPUR			
			19	167041	GEAR-SPUR	35	78	SCREW-BR HOLDER MTC
C	104380	GUIDE ASM-CARD	H1	218803	SHAFT ASM-CONT ROLL	36	641	SCREW-PRESS BRKT MT
						37	2032	SCREW-CARD GUIDE MT
D	104390	GUIDE ASM-INS CARD	J	255868	HOLDER ASM-COM BR	38	15616	NUT-CGNT POLL GEAR
			J1	1769	BRUSH ASM	39	23556	SCREW-CARD GUIDE MT
E	104394	LEVER ASM-CARD	J2	22128	BRUSH ASM	40	23956	SCREW-CARD GUIDE MT
			J3	109339	BRUSH ASM	41	24511	WASHER-CARD GUIDE
F	104396	CONTACT ASM-CC LEV	J4	229483	HOLDER ASM-COM BR	42	104002	FELT-ROLL CLEANER
8	11900	BLOCK-INSULATION	21	7341	NUT-COM BRUSH TERM	43	104003	BLOCK-CARD GUIDE MT
9	100229	INSULATION-SCREW	22	8192	NUT-COM BRUSH HOLD	44	104006	BLOCK-CARD GUIDE MT
10	173215	SCREW-CONTACT MTC	23	20038	WASHER	45	109824	BLOCK-BRUSH HOLD MT
F1	5180	TERMINAL ASM-CONT	24	28651	SPACER-TERMINAL SCR	46	123206	CLIP-CD LEV SPRING
F2	24957	TERMINAL ASM-CONT	25	109827	BLOCK-COM BR BAR MT	47	134078	STRIP-INSULATING
F3	139724	SPRING ASM-CONTACT	26	186636	SCREW-BRUSH MTC	48	167082	PIVOT-CARD LEVER
F4	139725	SPRING ASM-CONTACT	J4A	109916	WIRE ASM-TERMINAL	49	167109	BRACKET-PRESSURE
			J4B	255867	HOLDER ASM-BR SUB	50	218969	GEAR-SPRAL
G	117178	LEVER ASM-READ CARD	28	109823	HOLDER-BRUSH	51	218971	SPACER-SPRAL GEAR

*WITH BRUSHES - NOT SUITABLE FOR FIELD REPLACEMENT.



APRIL 1, 1964

NOTE: PRIMARY ZONE AND PRIMARY SEQUENCE ZONE STATIONS USE IDENTICAL CARD GUIDE AND CONTACT ROLL ASMS



* FOR CONTACT ROLLS WITH SEPARATE END SECTIONS ORDER COMMON BRUSH HOLDER ASM. 229014

ALPHABETIC MODEL
PRIMARY CARD GUIDE & ZONE CONTACT ROLL ASMS.

FIG. 077-41

5/6/64 BT

REF. NO.	PART NO.	PART NAME
	284405	FRAMC ASM-BR HOLDER
1	186	SCREW-BLOCK MTG
2	845	SCREW-SPRING ARM MT
3	2629	SCREW-SUPT BAR MTG
4	3500	SCREW-BR HOLDER MTG
5	10235	SCREW-BR HOLDER MTG
6	22587	STUD-SPRING ANCHOR
7	60488	CLIP-BRG HSG SPRING
8	114201	WASHER-BR HOLD MTG
9	155053	BAR-SUPPORT
10	166648	PLATE-PRESSURE
11	167458	SPRING-ROLL
12	196652	SPACER-GUIDE ROLL
13	196884	ARM-TENSION SPRING
14	197474	BLOCK-HOLDER LOCATE
15	197475	SCREW-BLOCK ALIGN
A1	117162	ROLL ASM-GUIDE
17	78605	PIN-GEAR RETAINING
18	180429	GEAR-SPUR
A1A	141992	SHAFT ASM-GUIDE RL
A2	178779	HOLDER ASM-BRUSH

REF. NO.	PART NO.	PART NAME
20	344	PIN-BUSHING HOLD
21	12970	SCREW-BRUSH CLAMP
22	28767	BUSHING-BLK MTG SCR
23	120100	BLOCK-BRUSH HOLDER
24	184404	NUT-CLAMPING SCREW
A2A	207785	BRUSH ASM
A3	182807	SHAFT ASM-HOLE LOCK
26	44507	PIN-CAM TAPER
27	101805	WASHER-FRICTION
28	166651	HANDLE-LOCK SHAFT
29	167416	SHAFT-LOCK CAM
A3A	166658	CAM ASM-LOCK
A3B	166659	CAM ASM-LOCK
A4	196603	ROLL ASM-GUIDE
31	78605	PIN-GEAR RETAINING
32	180429	GEAR-SPUR
A4A	196602	SHAFT ASM-GUIDE ROL
A5	281067	HOUSING ASM-BEARING
34	142456	HOUSING-BEARING
35	142457	BEARING-PIVOT

REF. NO.	PART NO.	PART NAME
36	142459	BEARING-ROLL
A6	281068	HOUSING ASM-BEARING
38	142455	HOUSING-BEARING
39	142437	BEARING-PIVOT
40	142459	BEARING-ROLL
A7	284432	GUIDE ASM-FRAME AND
42	99	SCREW-SUPT ROD MTG
43	4236	SCREW-CARD GDE MTG
44	167417	ROD-BR UNIT SUPPORT
45	195309	PIN-TAPER
A7A	104375	FRAME ASM-FRNT SIDE
A7B	104384	GUIDE ASM-CARD
47	143349	PIVET-CARD GUIDE
48	167072	GUIDE-CARD
REMAINDER OF THIS ASM NOT SUITABLE FOR BREAKDOWN		
A7C	104385	GUIDE ASM-CARD
A7D	196883	FRAME ASM-REAR SIDE
B	104423	CABLE ASM-BR TO CNTRL

ALPHABETIC MODEL
PRIMARY BRUSH HOLDER FRAME ASM.

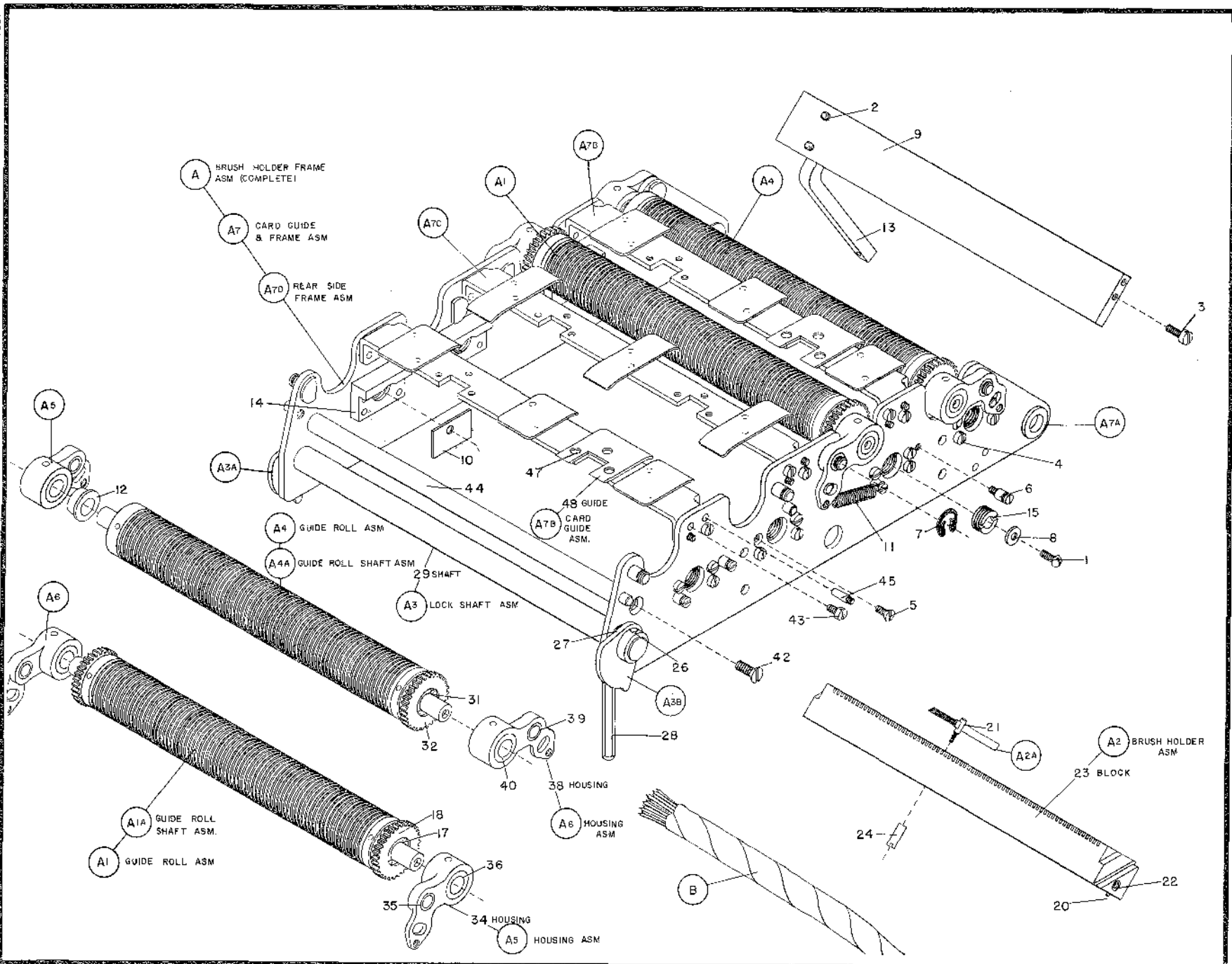


FIG. 077-42



APRIL 1, 1954

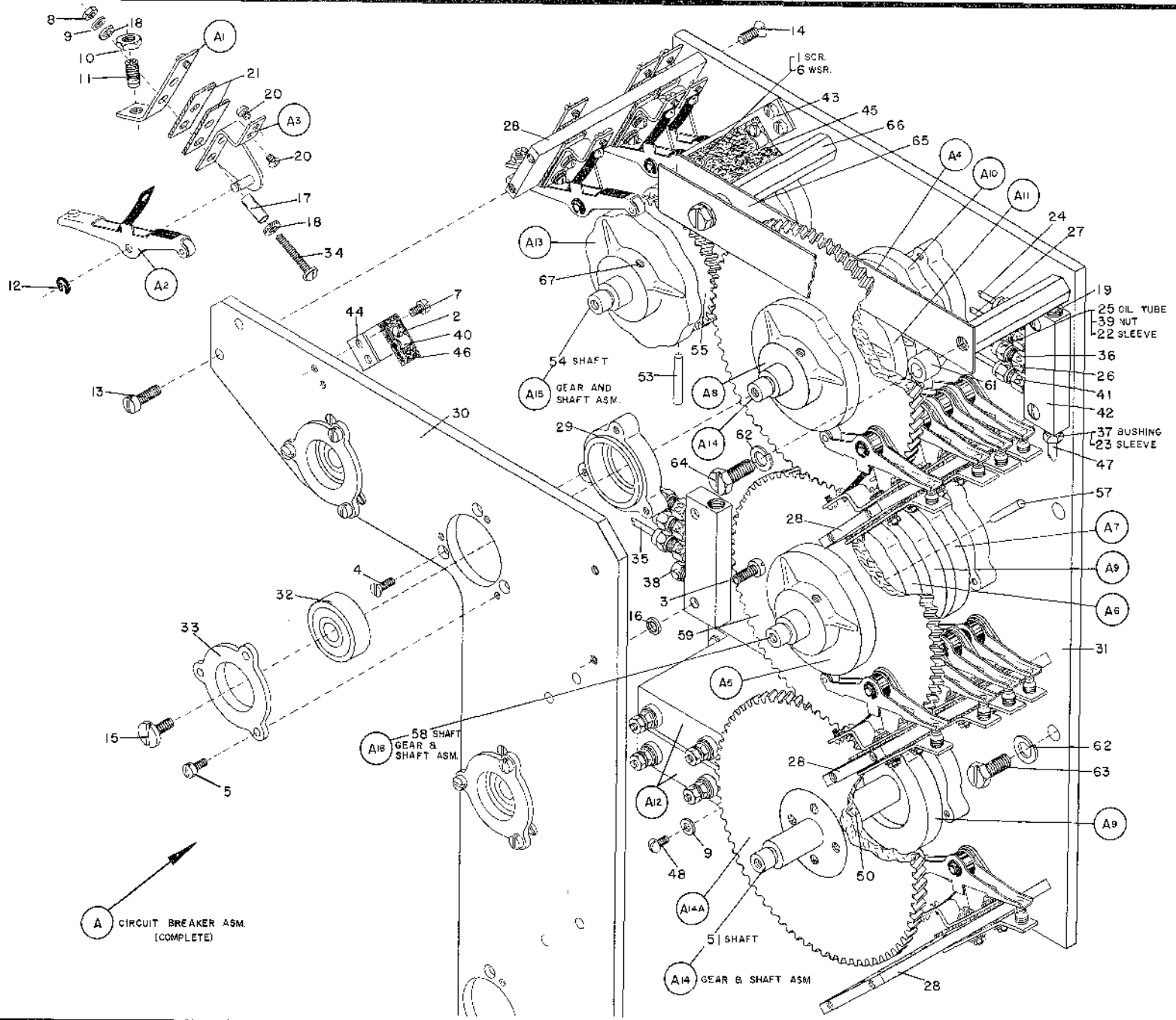
7-465-39

REF. NO.	PART NO.	PART NAME	REF. NO.	PART NO.	PART NAME	REF. NO.	PART NO.	PART NAME
A	221792	BREAKER ASM-CR CIR	29	166823	RETAINER-BEARING	A10	166806	CAM ASM-CR 4
1	92	SCREW-FELT WIPER	30	166865	FRAME-LEFT SIDE	A11	222151	CAM ASM-CR 2
2	52	SCREW-TUBE CLAMP	31	166883	FRAME-RIGHT SIDE	A12	100748	CONDENSER ASM
3	232	SCREW-OIL JNCT MTG	32	166897	BEARING-SHAFT BALL	A13	166813	CAM ASM-IMPULS DIST
4	244	SCREW-RETAINER MTG	33	167061	CAP-BEARING RETAIN	A14	280968	SHAFT ASM-GEAR AND
5	3500	SCREW-RETAINER MTG	34	173209	SCREW-BREAK ARM MTG	50	4159	PIN-GEAR TAPER
6	4085	WASHER-OILER FELT	35	190263	TUBE-OIL	51	166824	SHAFT-CB GFAR
7	4236	SCREW-FELT MTG BRKT	36	190275	METER UNIT-"0" OIL	A14A	166833	GEAR ASM-CB
8	7341	NUT-BRKR BAR SCREW	37	190277	BUSHING-COMPRESSION	A15	283040	SHAFT ASM-GEAR AND
9	20038	WASHER	38	190278	PLUG-CLOSURE	53	4159	PIN-GEAR TAPER
10	24933	NUT-BRKR PDINI LOCK	39	190279	NUT-COMPRESSION	54	166824	SHAFT-CB GEAR
11	24938	SCREW-BREAKER POINT	40	190351	CLIP-OIL TUBE	55	166841	GFAR-CIR BREAKER
12	25282	CLIP-ARM RET SPRING	41	190360	METER UNIT-"00" OIL	A16	283491	SHAFT ASM-GEAR AND
13	38383	SCREW-CONT BAR MTG	42	190364	JUNCTION-OIL	57	4159	PIN-GEAR TAPER
14	49814	SCREW-CONT BAR MTG	43	190370	BRACKET-FELT MTG	58	166824	SHAFT-CB GLAR
15	50104	SCREW-SHAFT RETAIN	44	190371	BRACKET-FELT MTG	59	166827	GFAR-CIR BREAKER
16	53370	SPACER-OIL JUNCTION	45	190372	FELT-LARGE OIL			
17	100837	INSULATION-SCREW	46	190373	FELT-SMALL OIL			
18	100804	WASHER-INSULATION	47	190384	TUBE-OIL PRESSURE			
19	101724	PLUG-CLOSURE	48	196298	SCREW-CONDENSER MTG			
20	118418	SCREW-TERMINAL	A1	24932	HOLDER ASM-BRKR PT			
21	120134	BLOCK-INSULATION	A2	24961	ARM ASM-BREAKER	61	10881	SPACER-GEAR GUARD
22	121277	SLEEVE-COMPRESSION	A3	24969	BRACKET ASM-PIVOT	62	37073	WASHER-CB MTG SCR
23	121280	SLEEVE-COMPRESSION	A4	159750	CAM ASM-CR 3	63	36844	SCREW-CIR BRKR MTG
24	121471	TUBE-OIL	A5	159751	CAM ASM-CR 5	64	28668	SCREW-GEAR GUARD MT
25	121483	TUBE-OIL	A6	159752	CAM ASM-CR 6	65	104037	GUARD-CB GEAR
26	123189	TUBE-OIL	A7	159753	CAM ASM-CR 8	66	104038	STUD-CB GEAR GUARD
27	123192	TUBE-OIL	A8	166796	CAM ASM-CR 1	67	135341	SCREW-CAM SET
28	166822	BAR-CONTACT MTG	A9	166801	CAM ASM-CR 7, 12			

PARTS NOT SHOWN ON SUB ASSEMBLIES

FIG. 077-43

ALPHABETIC MODEL
C. R. CIRCUIT BREAKER ASM.



REF. NO.	PART NO.	PART NAME
A	103080	CABINET ASM-RECT 60CY
	103086	CABINET ASM-RECT 25CY
1	92	SCREW-MTG
2	7341	NUT-MTG SCREW
3	123786	FUSE-5 AMP
4	141344	CLAMP-CABLE
5	167726	CONDENSER
6	167740	CLAMP-CONDENSER MTG
7	182876	RESISTOR-30,000 OHM
8	53193	GRONMET-RUBBER
9	6324	FUSE-3 AMP
A1	103083	CABINET ASM
A2	170184	RECTIFIER ASM-REI
A3	179946	HOLDER ASM-FUSE
A4	189805	CABINET ASM

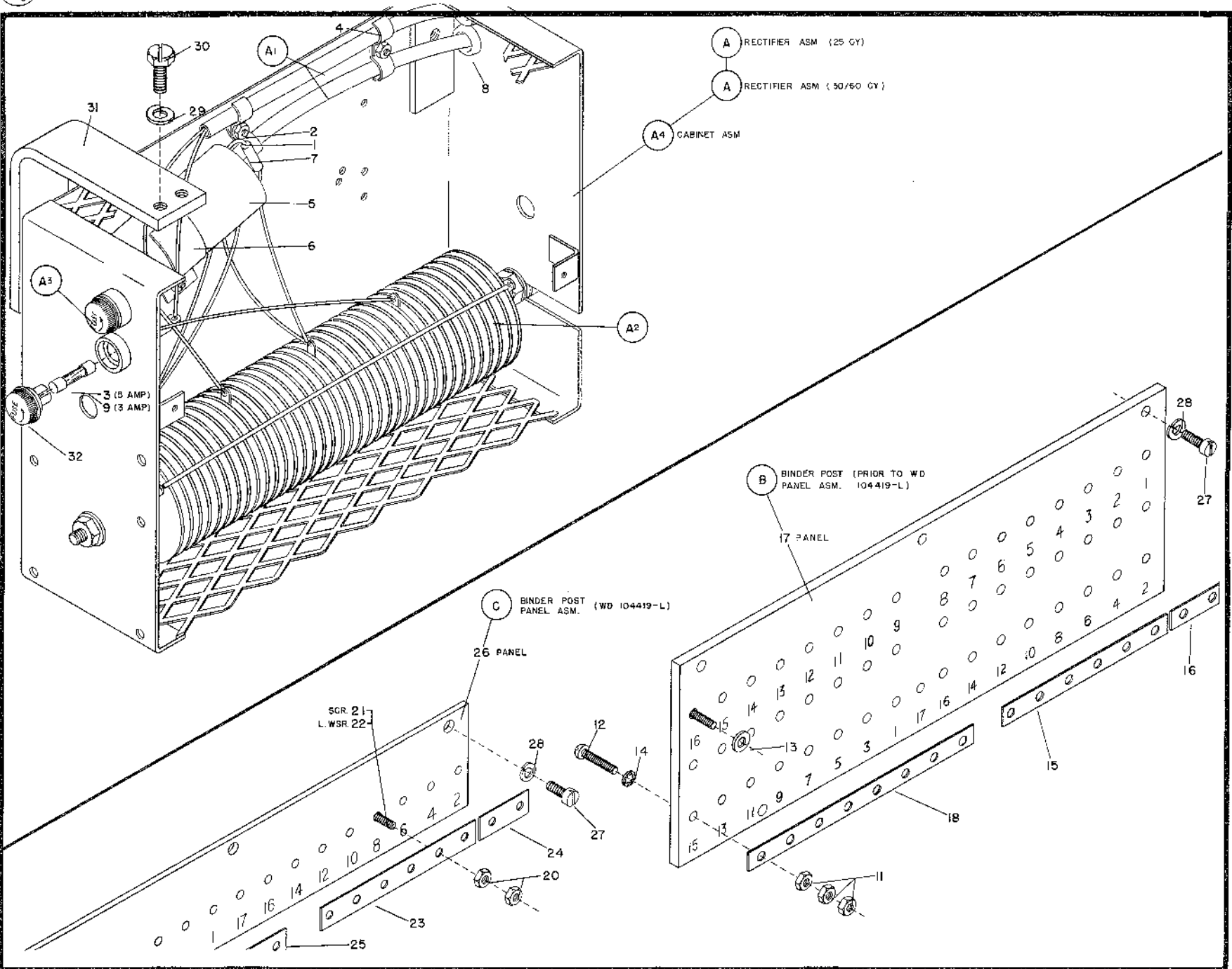
REF. NO.	PART NO.	PART NAME
B	155068	PANEL ASM-BIND POST
11	123	NUT-TERMINAL
12	893	SCREW-TERMINAL
13	22476	WASHER-TERMINAL
14	60646	LWASHER-TERM SCREW
15	155066	STRIP-COMMON
16	155067	STRIP-COMMON
17	166916	PANEL-BINDER POST
18	167057	STRIP-COMMON
C	255971	PANEL ASM-BIND POST
20	123	NUT-TERMINAL
21	893	SCREW-TERMINAL
22	60646	LWASHER-TERM SCREW
23	155066	STRIP-COMMON

REF. NO.	PART NO.	PART NAME
24	155067	STRIP-COMMON
25	167057	STRIP-COMMON
26	249341	PANEL-BINDER POST

PARTS NOT SHOWN ON SUB ASSEMBLIES

27	2594	SCREW-PANEL MTG
28	5052	LWASHER-PANEL MTG
29	37073	LWASHER-BRKT MTG
30	38686	SCREW-BRACKET
31	103324	BRACKET-RECT CAB MT
32	285302	CAP-FUSE

FIG. 077-44



ALPHABETIC MODEL
RECTIFIER CABINET & BINDER POST PANEL ASM

REF. NO.	PART NO.	PART NAME
A	103316	PANEL ASM-FUSE
1	24752	SCREW-FUSE POST MTG
2	38364	SCREW-OUTLET MTG
3	103314	PANEL-FUSE
A1	92752	POST ASM-FUSE
A2	108111	POST ASM-FUSE
A3	167324	RECEPTACLE ASM
A4	179946	POST ASM-FUSE
A5	222375	JUMPER ASM-WIRE
A6	222376	JUMPER ASM-WIRE
B	104420	GATE ASM-RELAY AND
5	23958	SCREW-RELAY MTG
6	180529	SCREW-RECTIFIER MTG
7	478	NUT-RECTIFIER MTG
B	109287	SPACER-RECT MTG
B1	76162	RECTIFIER ASM
B2	159528	GATE ASM-RELAY
C	72915	RELAY ASM-HD 40 V
D	103326	CABINET ASM-RELAY
E	128017	HINGE ASM

REF. NO.	PART NO.	PART NAME
F	171092	CONNECTOR ASM-CORD
G	108111	POST ASM-FUSE
PARTS NOT SHOWN ON SUB ASSEMBLIES		
10	455	SCREW-HD RELAY MTG
11	6318	WASHER-HD RELAY MT
12	7152	WASHER-HINGE MTG
13	23951	NUT-HD RELAY MTG
14	25793	NUT-HINGE MTG SCREW
15	37073	WASHER-MTG SCREW
16	101432	SCREW-CABINET MTG
17	103898	SCREW-FUSE PANEL MT
18	122678	BUSHING-RUBBER
19	124815	HINGE-RELAY GATE
20	127702	SCREW-CAB ANGLE MTG
21	134877	STOP-RELAY GATE
22	159529	ANGLE-RELAY CAB MTG
23	159531	BRACE-UP REAR LEG
24	167058	BRACE-LOW REAR LEG
25	169733	SCREW-GATE HINGE

REF. NO.	PART NO.	PART NAME
26	180072	SCREW-HINGE MTG
27	183875	SCREW-GATE THUMB
28	285302	CAP-FUSE POST
29	24752	SCREW-FUSE POST MTG

FUSE PART NUMBERS

VOLTAGE	FUSE POSITION	PART NUMBER
ALL	1 AND 2	3344
ALL	5	107666
ALL	7	107610

VOLTAGE	FUSE POSITION		
	3	4	6
115 60 1	107665		107803
115 50 1/3	107666		107803
115 25 1	107665		107803
115 D C	107664	107664	107610
150 60 1	107664		107803
208 60 1/3	107663		107799
208 50 1/3	107663		107803
230 60 1/3	92734		107799
230 50 1	107663		107799
230 50 3	92734		107799
230 25 1	92734		107799

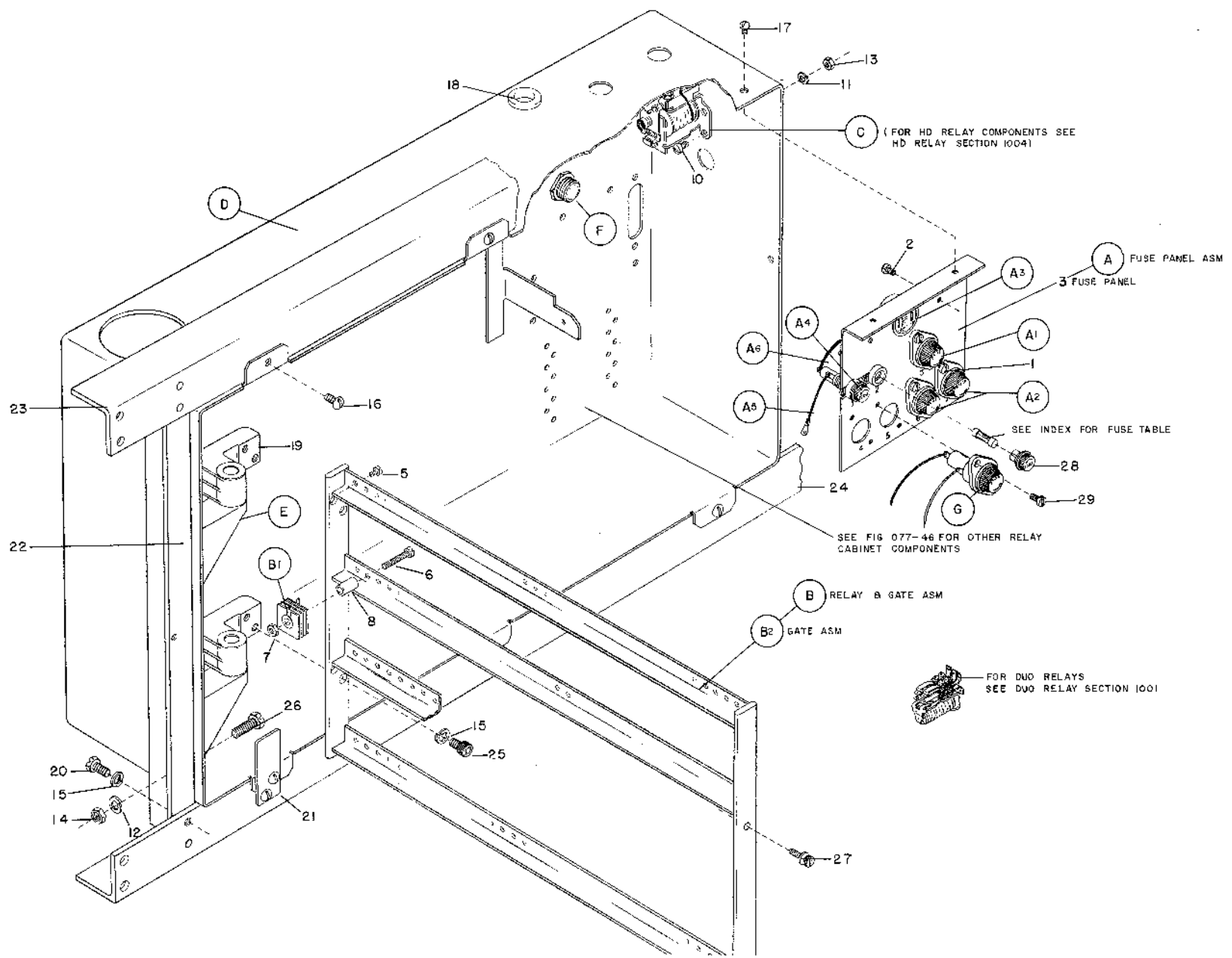
FIGURE 07-45



APRIL 1, 1954

FIG. 077-45

PAGE 95



ALPHABETIC MODEL
RELAY CABINET ASM.

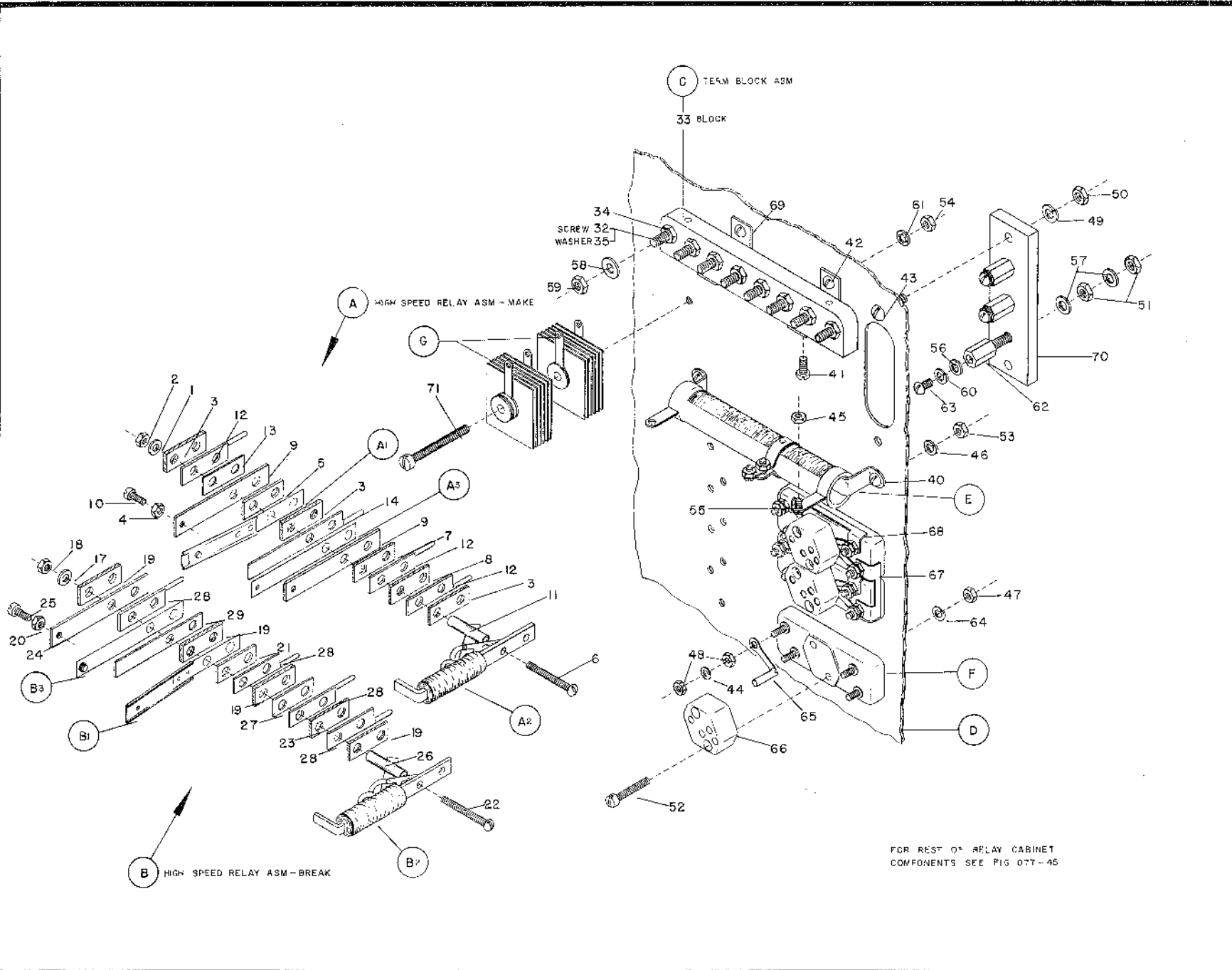
REF. NO.	PART NO.	PART NAME	REF. NO.	PART NO.	PART NAME	REF. NO.	PART NO.	PART NAME
A	166739	RELAY ASM-HS MAKE	26	100098	INSULATION-SCRFW	43	783	SCREW-INS STRIP MTG
1	227	WASHER-CONT MTG SCR	27	122238	SPACER-RELAY	44	1866	WASHER-RELAY TERM
2	478	NUT-CONTACT MTG SCR	28	166734	PLUG-RELAY CONTACT	45	3323	NUT-RESISTOR TERM
3	1974	BLOCK-INSULATION	29	166735	SUPPORT-CONT SPRING	46	6318	LWASHER-RESISTOR MTG
4	3525	NUT-ADJUSTING SCREW	81	166731	ARMATURE ASM-RELAY	47	7341	NUT-RELAY BASE MTG
5	4691	BLOCK-SUPPORT	82	166743	COIL ASM-RELAY	48	7341	NUT-RELAY TERMINAL
6	5963	SCREW-CONTACT MTG	83	166847	CONTACT ASM-RELAY	49	9092	LWASHER-INS STRIP
7	11898	BLOCK-INSULATION				50	11598	NUT-INSULATE STRIP
8	11899	BLOCK-INSULATION	C	108131	BLOCK ASM-TERMINAL	51	11891	NUT-BINDER POST MTG
9	24706	SUPPORT-CONT SPRING	32	781	SCREW-TERM BLOCK	52	22550	SCREW-RELAY SOCKET
10	52728	SCREW-ADJUSTING	33	26077	BLOCK-TERMINAL	53	23931	NUT-RESISTOR MTG
11	138447	INSULATION-SCREW	34	46219	NUT-TERMINAL BLOCK	54	23931	NUT-BRACKET MTG
12	166734	PLUG-RELAY CONTACT	35	56121	LWASHER-TERM BLOCK	55	24011	SCREW-RESISTOR TERM
13	166737	SPACER-RELAY				56	24511	WASHER-BINDER POST
14	166738	PLUG-RELAY CONTACT	D	103326	CABINET ASM-RELAY	57	45690	WASHER-BINDER POST
A1	166731	ARMATURE ASM-RELAY				58	45696	WASHER-TERMINAL SCR
A2	166743	COIL ASM-RELAY	E	125457	RESISTOR ASM-150 OHM	59	46219	NUT-TERMINAL SCREW
A3	166847	CONTACT ASM-RELAY				60	56121	LWASHER-BINDER POST
			F	167267	BASE ASM-RELAY	61	60646	LWASHER-BRACKET MTG
B	166740	RELAY ASM-HS BREAK				62	62954	STUD-BIND POST TERM
17	227	WASHER-CONT MTG SCR	G	76162	RECTIFIER ASM-SEL	63	103900	SCREW-BINDER POST
18	478	NUT-CONTACT MTG SCR				64	163899	LWASHER-SOCKET MTG
19	1974	BLOCK-INSULATION				65	167265	SOCKET-PS RELAY
20	3525	NUT-ADJUSTING SCREW				66	167266	MOLDING-RELAY SOCK
21	4691	BLOCK-SUPPORT				67	167285	JUMPER-HS RELAY
22	5963	SCREW-CONTACT MTG				68	167288	JUMPER-HS RELAY
23	11899	BLOCK-INSULATION				69	230545	BRACKET-MOTOR TERM
24	24706	SUPPORT-CONT SPRING	40	424	SCREW-RESISTOR MTG	70	167277	STRIP-BIND POST INS
25	52728	SCREW-ADJUSTING	41	455	SCREW-TERM BLK MTG	71	52998	SCREW-RECTIFIER MTG
			42	455	SCREW-BRACKET MTG			
					PARTS NOT SHOWN ON SUB ASSEMBLIES			



APRIL 1, 1954

FIG. 077-46

ALPHABETIC MODEL
RELAY CABINET COMPONENTS



FOR REST OF RELAY CABINET COMPONENTS SEE FIG 077-45

REF. NO.	PART NO.	PART NAME
A	173916	CABINET ASM-TUBE
1	227	WASHER-TERMINAL SCR
2	294	SCREW-SUPPORT BLOCK
3	294	SCREW-RESISTOR MTC
4	478	NUT-TERMINAL SCREW
5	2994	SCREW-CABLE CLAMP
6	3550	WASHER-RUBBER MOUNT
7	3960	NUT-CHASE RUB MOUNT
8	4085	WASHER-TERM BLK MTC
9	4085	WASHER-TERM SCREW
10	7342	NUT-MTC SCREW
11	9092	LWASHER-CABLE CLAMP
12	11891	NUT-CABLE CLAMP SCR
13	18491	SCREW-CHASSIS COVER
14	43690	WASHER-CABLE CLAMP
15	61993	BUSHING-INSULATION
16	62031	LWASHER-SUPPORT BLK

REF. NO.	PART NO.	PART NAME
17	62031	LWASHER-RESISTOR MT
18	124404	BAR-COMMON BUSS
19	126520	SPACER-CHASS RUB MT
20	127275	BAR-COMMON BUSS
21	159571	BLOCK-TERMINAL
22	159572	BLOCK-SUPPORT
23	166668	CLAMP-CABLE
24	169129	RESISTOR-4700 OHM
25	169410	RESISTOR-10 M OHM
26	173209	SCREW-TERMINAL
27	173210	SCREW-TERM BLK MTC
28	175919	COVER-CHASSIS
29	179254	SCREW-LOCK
A1	72718	MOUNT ASM-RUBBER
A2	116509	RESISTOR ASM
A3	170569	SOCKET ASM-TUBE

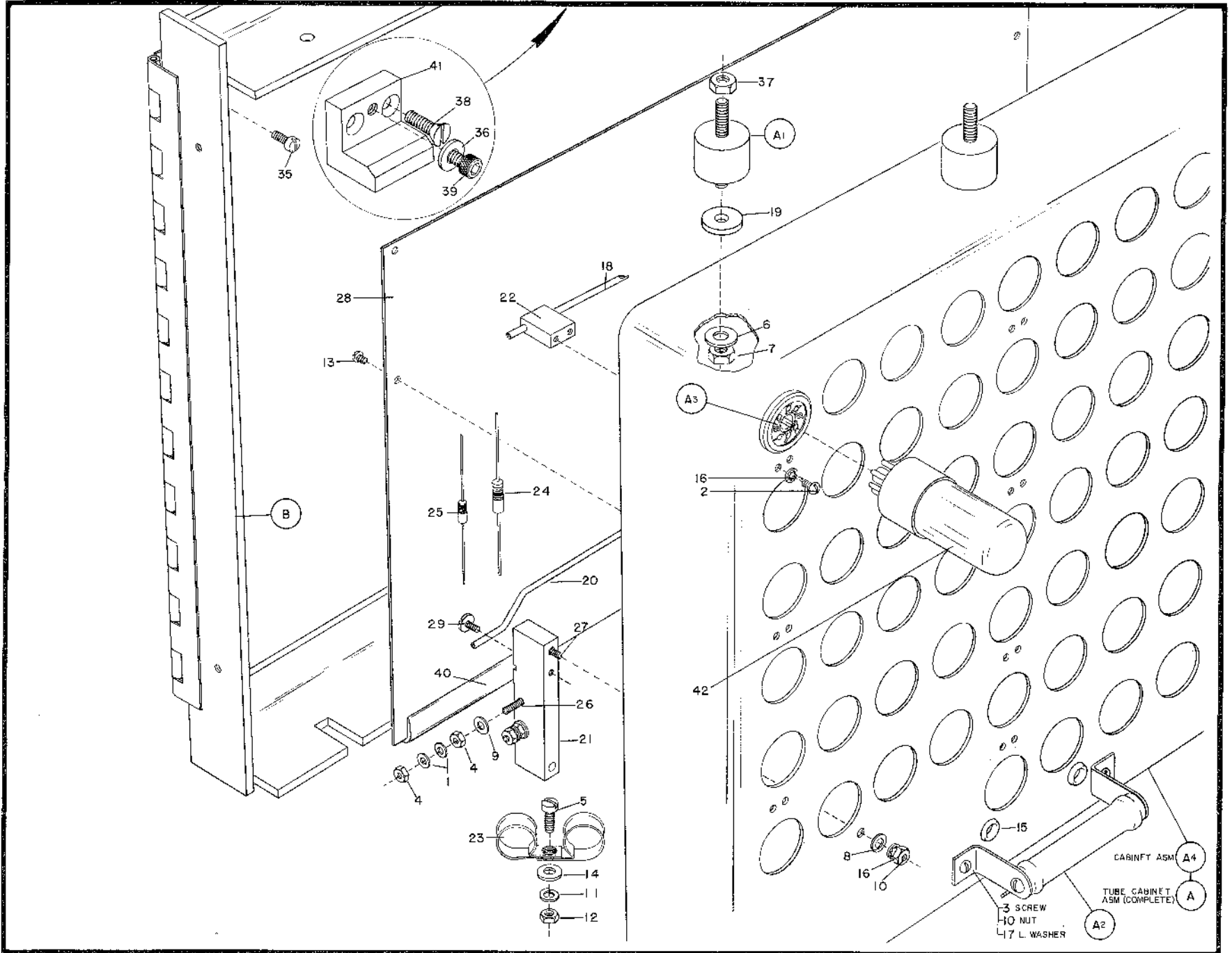
REF. NO.	PART NO.	PART NAME
A4	173916	CABINET ASM-TUBE
B	173910	FRAME ASM-CHASSIS
PARTS NOT SHOWN ON SUB ASSEMBLIES		
35	337	SCREW-CHASSIS FRAME
36	3550	WASHER-FRAME ASM-LK
37	3960	NUT-TUBE CHASSIS MT
38	25895	SCREW-FRAME LATCH
39	127702	SCREW-FRAME ASM LK
40	124822	RUBBER-CHANNEL
41	173922	LATCH-FRAME
42	192906	TUBEL-2516 VACUUM



APRIL 1, 1954

FIG. 077-47

PAGE 95



ALPHABETIC MODEL
VACUUM TUBE UNIT CABINET ASM.

REF. NO.	PART NO.	PART NAME
A	149971	TRANSFORMER ASM-230V -60 CY
A	186402	TRANSFORMER ASM-230V -25 CY
A	186799	TRANSFORMER ASM-150/208V 50/60 CY
B	173898	COVER ASM-TUBE UNIT

PARTS NOT SHOWN ON SUB ASSEMBLIES

REF. NO.	PART NO.	PART NAME
1	5471	SCREW-TRANS MTG BAR
2	6087	SCREW-BAFFLE PLATE
3	7192	LWASHER-TRANS BAR
4	7192	LWASHER-TRANS MTG
5	9092	LWASHER-BAFFLE PLTE
6	11598	NUT-BAFFLE PLATE MT
7	13035	WASHER-TRANS MTG
8	60489	CLIP-COV FAST SPRNG

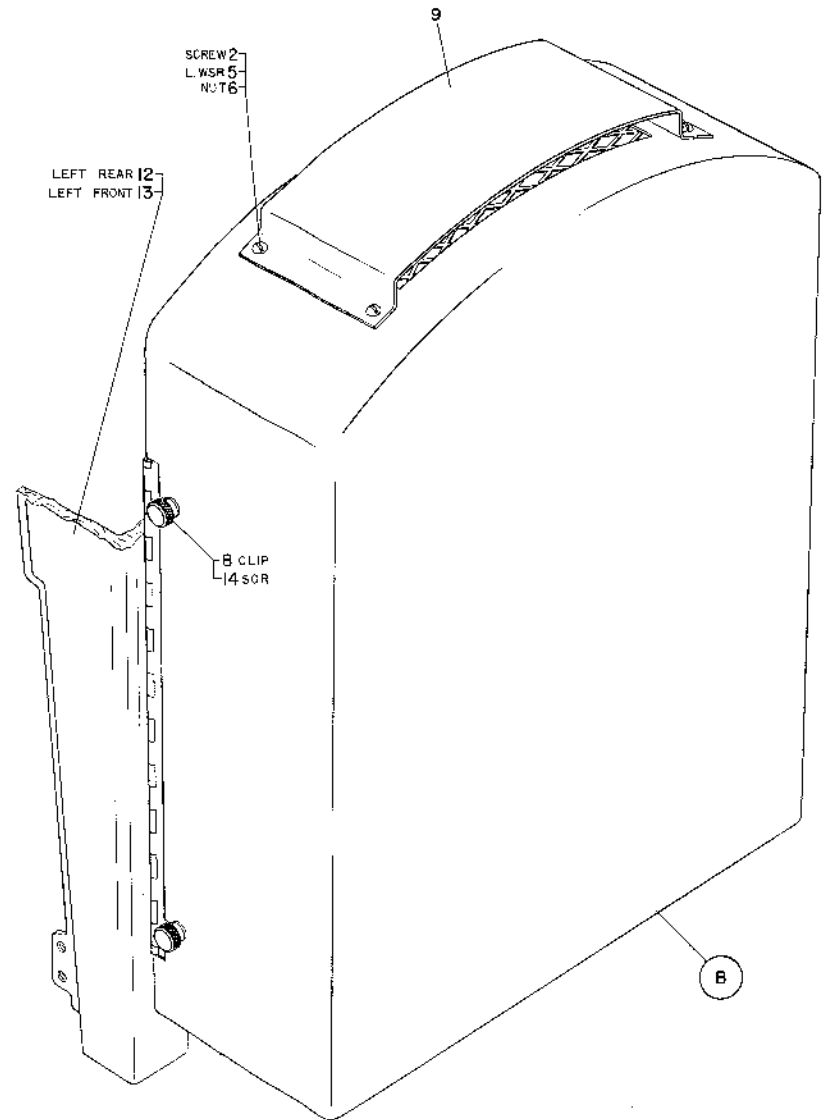
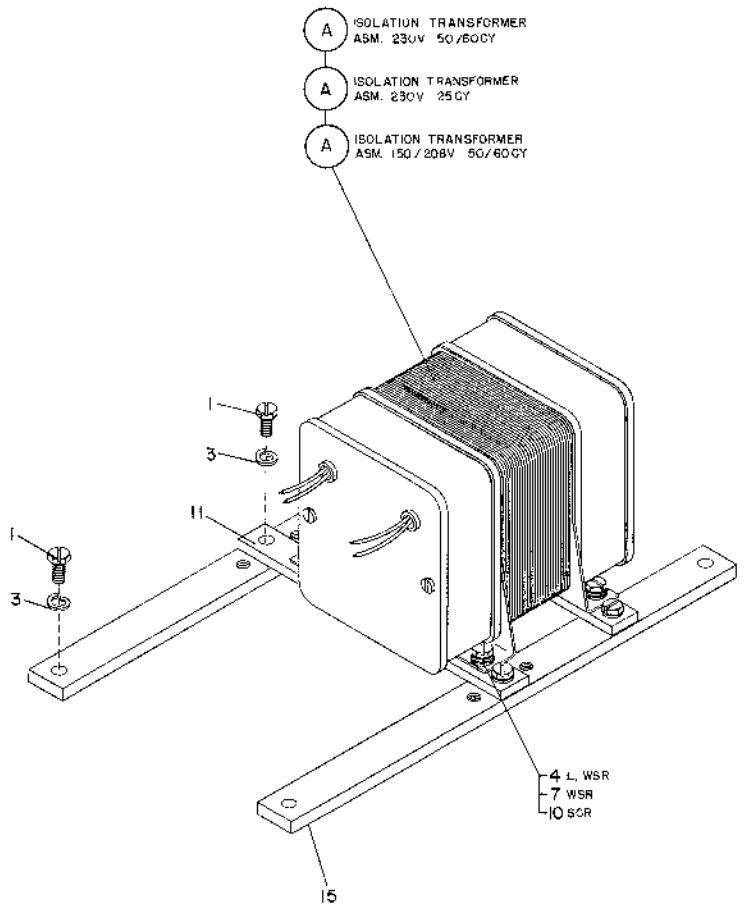
REF. NO.	PART NO.	PART NAME
9	103315	PLATE-COVER BAFFLE
10	103423	SCREW-TRANS MTG
11	143394	BAR-TRANSFORMER MTG
12	155064	LEG-LEFT REAR
13	155065	LEG-LEFT FRONT
14	167034	SCREW-COVER FASTEN
15	167054	BAR-TRANSFORMER MTG



APRIL 1, 1954

FIG. 077-48

PAGE 101



ALPHABETIC MODEL
ISOL. TRANSFORMER & TUBE UNIT COVER ASM'S.

PARTS ON THIS PAGE ARE APPLICABLE ONLY TO THE SERIES 50 MODEL I (WORM GEAR DRIVE) AND MODEL II (BEVEL GEAR DRIVE) MACHINES.
FOR PARTS COMMON TO BOTH THE SERIES 50 MACHINES AND THE EXISTING COLLATORS SEE THE PARTS CATALOGS LISTED BELOW:

MODEL I (WORM GEAR)-form #121-7098
MODEL II (BEVEL GEAR)-form #121-7099

FIG 77-5 WORM GEAR
SEE: FIG 077-5 BEVEL GEAR

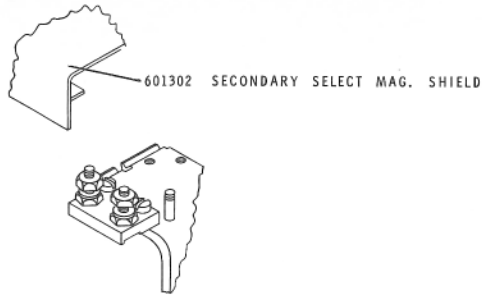
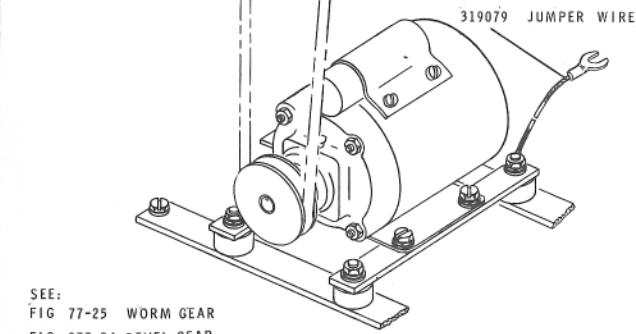
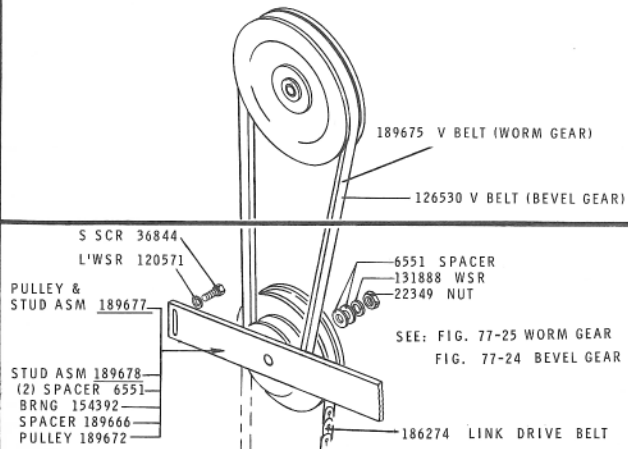
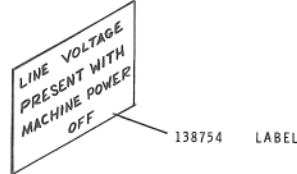


FIG. 77-23 WORM GEAR
FIG. 077-22 BEVEL GEAR

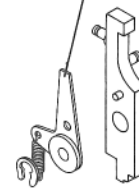


PLACE LABEL (138754) ON:

1. MAINLINE SWITCH
2. LEFT FRONT SIDE OF FUSE PANEL NEAR CONVENIENCE OUTLET FUSES
3. BELOW MAINLINE TERMINAL POSTS

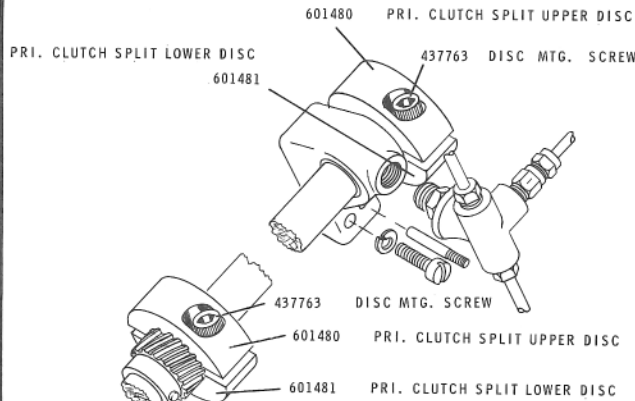


601482 EJECT CLUTCH KEEPER

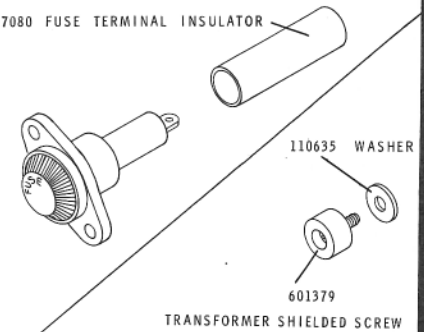


SEE: FIG. 77-12 WORM GEAR
FIG. 077-11 BEVEL GEAR

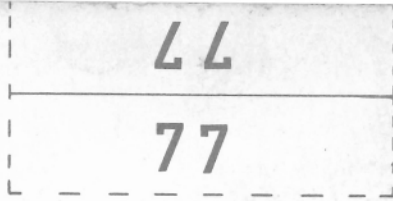
FIG 77-26 WORM GEAR
FIG 077-25 BEVEL GEAR



257080 FUSE TERMINAL INSULATOR



Fold



Cut
Use Clear Acetate Tab Obtained Locally

Printed In U.S.A. Form No. 121-7098-0



International Business Machines Corporation
Data Processing Division
112 East Post Road, White Plains, New York