

724464	1401 ALPHABETICAL LOGIC LISTING	REFERENCE ONLY	00,00,00,2	EC #
	TITLE	LOGIC #	GATE	110324V
	10X10 MATRIX SWITCH-8K REF. DWG.	1406	42.60.21.2	06B1
	1401 TIMING & VOLTAGE DIST REF DWG		42.40.53.2	01A1
	1403 POWER PLUG		23.04.11.2	01A2
	1403 SUMMARY CONNECTOR #1		21.04.01.2	01A2
	1403 SUMMARY CONNECTOR #1		21.04.11.2	01A2
	1403 SUMMARY CONNECTOR #2		22.04.01.2	01A2
	1403 SUMMARY CONNECTOR #2		22.04.11.2	01A2
	1406 4K DRIVER TERM RES REF. DWG.	1406	42.70.41.2	06B5
	1406 8K DRIVER TERM RES. REF. DWG.	1406	42.60.41.2	06B1
	1406 TIMING & VOLTAGE DIST REF. DWG.	1406	42.40.63.2	06B1
	1ST AND 2ND B CYCLE TRIGGERS		34.31.13.2	01B3
	2A COMPARE LATCHES		44.19.31.2	02A7
	2K STORAGE BLOCK DIAGRAM REF DWG		42.41.12.2	01A1
	3-6 PUNCH DECODE		36.23.21.2	01B7
	3-6 PUNCH DECODE		36.23.21.2	01B7
	4K STORAGE BLOCK DIAGRAM REF DWG		42.41.11.2	01A1
	4K STORAGE BLOCK DIAGRAM REF. DWG.	1406	42.71.11.2	06B5
	5X10 MATRIX SWITCH REF DWG		42.40.21.2	01A1
	5X10 MATRIX SWITCH-4K REF. DWG.	1406	42.70.21.2	06B5
	8K STORAGE BLOCK DIAGRAM REF. DWG.	1406	42.61.11.2	06B1
	8X10 MATRIX SWITCH REF DWG		42.40.31.2	01A1
	8X10 MATRIX SWITCH-4K REF. DWG.	1406	42.70.31.2	06B5
	8X10 MATRIX SWITCH-8K REF. DWG.	1406	42.60.31.2	06B1
	A AND B REGISTER CHECK LATCHES		35.30.31.2	01B6
	A AUX CYCLE LATCH		44.14.11.2	02B7
	A AUX STAR GATE IN AND OUT CONTROLS		44.15.01.2	02A7
	A AUX STAR RESET CONTROLS		44.16.21.2	02A7
	A BIT ZONE ADDER		34.33.13.2	01B3
	A COMPARE LATCHES		44.19.21.2	02A7
	A CYCLE ELIMINATE LATCH		44.11.11.2	02B7
	A CYCLE ELIMINATION		31.06.11.2	01B2
	A CYCLE LATCH		31.25.11.2	01B2
	A LATCH AND 2A LATCH		44.12.11.2	02B7
	A REG AND B REG WM		35.14.61.2	01A3
	A REG INHIBIT CONTROL		35.18.41.2	01A3
	A REG SET 1 2 4		41.50.91.2	02B6
	A REG SET 8ZC AND ARITH WM LATCH		35.18.61.2	01A3
	A REG SET 8 CD A B CZ		41.51.01.2	02B6
	A REG SET UNITS A B CZ		41.51.11.2	02B6
	A REG TRANSLATOR ADDER COMPARE		44.19.01.2	02A7
	A REGISTER SET		75.01.08.2	02A8
	A REGISTER CHECK MATRIX		35.30.11.2	01B6
	A REGISTER DISPLAY DRIVE		35.30.51.2	01B6
	A REGISTER COMBINED BITS 21		35.16.51.2	01A3
	A REGISTER COMBINED BITS 84		35.16.71.2	01A3
	A REGISTER COMBINED BITS AB		35.16.81.2	01A3
	A REGISTER COMBINED BITS NOT 21		35.16.61.2	01A3
	A REGISTER TRANSLATOR		34.32.12.2	01B3
	A REGISTER TRUE COMPLEMENT		34.32.13.2	01B3
	A STAR CONTROL HUNDREDS AND GATE OUT		32.32.21.2	01A7
	A STAR CONTROL UNITS AND TENS		32.32.11.2	01A7
	A STAR READ IN & STORE CYCLE 1 2 3		41.50.51.2	02B6
	A&B REG SET AND RESET		33.10.51.2	01A3
	ACTIVATE STORAGE DECODE	1406	42.67.01.2	06B4
	ADD CTRL ARITH RDR RVR8 SCAN RDR		34.31.16.2	01B3
	ADDER CARRY		34.31.14.2	01B3
	ADDER CARRY AND OVERFLOW		34.31.15.2	01B3
	ADDER CONTROL-RECOMPLEMENT READR TR		34.31.17.2	01B3

724464	1401 ALPHABETICAL LOGIC LISTING	REFERENCE ONLY	00.00.00.2	EC #
	TITLE	LOGIC #	GATE	110324V
	ADDER DOUBLER COMPARE	44.19.11.2	02A7	
	ADDR REG DR AND THOUSANDS C DISPLAY	32.40.31.2	01A7	
	ADDR REG VAL CHECK LATCH AND CTRLS	32.44.51.2	01A8	
	ADDRESS MODIFY OP CODE	44.62.02.2	01B1	
	ADDRESS MODIFY UNITS A BIT	42.62.01.2	01A8	
	ADDRESS MODIFY UNITS B BIT	42.62.03.2	01A8	
	ADDRESS MODIFY UNITS C ZONE BIT	42.62.02.2	01A8	
	ADDRESS STOP CONTROL SEC 1	32.45.21.2	01A8	
	ADDRESS STOP CONTROL SECT. 2	32.45.31.2	01A8	
	ADDRESS STOP INPUT SWITCHING SECT. 1	32.45.11.2	01A8	
	ALL SCAN COMP AND PRT OR CARR BUSY	36.01.11.2	01A6	
	ALL SCAN COMP-PR&CARR BUSY NUMERIC	36.01.11.2	01A6	
	ALL SCANS COMPLETE	36.01.11.2	01A6	
	ALL SCANS COMPLETE NUMERIC	36.01.11.2	01A6	
	ARITHMETIC INHIBIT CONTROL	35.18.51.2	01A3	
	ARITHMETIC MODIFY CONTROLS GEN	1406 42.65.01.2	06B4	
	AUTO SCAN CONTROL-1	32.31.11.2	01A7	
	AUTO SCAN CONTROL-2	32.31.21.2	01A7	
	AUX STAJ SET LATCH	44.11.01.2	02B7	
	AUX STAR 1 CTRL UNITS TENS HDS	44.15.21.2	02A7	
	AUX STAR 2 CTRL UNITS TENS HDS	44.15.31.2	02A7	
	AUX STAR 4 CTRL UNITS TENS HDS	44.15.41.2	02A7	
	AUX STAR 8 CTRL UNITS TENS HDS	44.15.51.2	02A7	
	AUX STAR A CTRL UNITS HUNDREDS	44.15.71.2	02A7	
	AUX STAR B CTRL UNITS HUNDREDS	44.16.01.2	02A7	
	AUX STAR CD CTRL UNITS TENS HDS	44.15.61.2	02A7	
	AUX STAR CZ CTRL UNITS HUNDREDS	44.16.11.2	02A7	
	B AUX CYCLE LAT	44.14.31.2	02B7	
	B AUX STAR GATE IN AND OUT CONTROLS	44.15.11.2	02A7	
	B AUX STAR RESET CONTROLS	44.16.31.2	02A7	
	B CYCLE LATCH	31.26.11.2	01B2	
	B GREATER OR LESS THAN A CONTROL	44.34.11.2	02A8	
	B GREATER OR LESS THAN A CONTROL	44.34.11.2	01B7	
	B REG AND A REG 1 BIT	35.11.21.2	01A3	
	B REG AND A REG 2 BIT	35.11.61.2	01A3	
	B REG AND A REG 4 BIT	35.12.21.2	01A3	
	B REG AND A REG 8 BIT	35.12.61.2	01A3	
	B REG AND A REG BIT A	35.13.21.2	01A3	
	B REG AND A REG BIT B	35.13.61.2	01A3	
	B REG BLANK AND COMBINED BITS AB	35.16.31.2	01A3	
	B REG DIGIT GENERATION	44.10.21.2	02B7	
	B REG INH CONT SECT 3 AND FORCE 8 2	35.18.31.2	01A3	
	B REG INHIBIT CONT	35.18.11.2	01A3	
	B REG INHIBIT CONT SECT 2	35.18.21.2	01A3	
	B REGISTER ADJUST PRINT	36.33.11.2	01A6	
	B REGISTER ADJUST PRINT NUMERIC	36.33.11.2	01A6	
	B REGISTER CHECK MATRIX	35.30.21.2	01B6	
	B REGISTER DIST. AND IND DISPLAY	35.30.41.2	01B6	
	B REGISTER PLANE 9-14	35.15.51.2	01A3	
	B REGISTER COMBINED BITS 21	35.16.11.2	01A3	
	B REGISTER COMBINED BITS 84	35.16.21.2	01A3	
	B REGISTER TRANSLATOR	34.32.11.2	01B3	
	B STAR CONTROL GATE OUT	32.33.31.2	01A7	
	B STAR CONTROL TENS AND HUNDREDS	32.33.21.2	01A7	
	B STAR CONTROL UNITS	32.33.11.2	01A7	
	B STAR READ IN	41.50.61.2	02B6	
	TENS DECODE SWITCH	42.56.11.2	01A1	
	BACKSPACE	TAU 89.60.40.1	00XA	

724464	1401 ALPHABETICAL LOGIC LISTING	REFERENCE ONLY	00=00=00=2	EC #
	TITLE	LOGIC #	GATE	110324V
	BINARY ADDER	34.32.16.2	01B3	
	BIT COMPARE MATRIX	34.21.11.2	01B6	
	BIT TEST	41.10.11.2	01B6	
	BIT TEST OPR	41.10.21.2	01B1	
	BRANCH ON READER AND PUNCH BUSY	74.21.41.2	02B1	
	BUFFER CLOCK	46.37.21.2	01A5	
	BUFFER DISPLAY LINES	46.36.81.2	01A5	
	BUFFER MEMORY PULSES	46.37.31.2	01A5	
	BUFFER REGISTER ADJUST PRINT	36.33.11.2	01A6	
	BUFFER REGISTER ADJUST PRINT NUMERIC	36.33.11.2	01A6	
	C BIT ZONE ADDER	34.33.14.2	01B3	
	C E PANEL SYNC POINTS	37.31.21.2	01A2	
	CARR INLK LAT MAG DRIVS INDS	36.48.31.2	01B1	
	CARR STOP TR AND START SS	36.48.21.2	01B1	
	CARRIAGE OPR REGISTER	36.46.11.2	01B1	
	C. BIT GENERATOR	35.17.11.2	01A9	
	CHANNEL 9 AND 12 LATCHES	36.43.31.2	01B1	
	CHANNEL BRUSH REGISTER	36.43.11.2	01B1	
	CHANNEL BRUSH ENCODE 1 AND 2	36.42.11.2	01B1	
	CHANNEL BRUSH ENCODE 4 AND 8	36.42.21.2	01B1	
	CHAR REG TERMINATION & DISTRIBUTION	75.01.07.2	02A8	
	CHARACTER CONTROL LATCHES	74.31.31.2	02B1	
	CHECK LATCHES	36.14.11.2	01B4	
	CHECK PLANE ENTRY	36.17.31.2	01B7	
	CHECK PLANE ENTRY	36.17.31.2	01B7	
	CHECK RESET CONTROL	34.21.51.2	01B6	
	CHECKING ALTERNATE CYCLE CONTROL	36.17.11.2	01B7	
	CHECKING ALTERNATE CYCLE CONTROL	36.17.11.2	01B7	
	CHECKING INHIBIT & ERROR GATES	36.17.41.2	01B7	
	CHECKING INHIBIT & ERROR GATES	36.17.41.2	01B7	
	CHECKING ROW BIT CONTROL	36.17.21.2	01B7	
	CHECKING ROW BIT CONTROL	36.17.21.2	01B7	
	CLEAR B FIELD LAT AND SET PROD LAT	44.11.41.2	02B7	
	CLOCK CONTROL SECTION 1	31.10.11.2	01B3	
	CLOCK CONTROL SECTION 2	31.10.12.2	01B3	
	CLOCK TIMING CONTROLS	71.31.11.2	02A1	
	CLOCK TIMING CONTROLS	71.31.21.2	02A1	
	COL BIN MODIFIER CONTROL	41.11.51.2	02B8	
	COL BIN PCH DECODE & HOLE COUNT	41.23.21.2	02B8	
	COL BIN PUNCH DECODE MATRIX	41.23.11.2	02B8	
	COL BIN READ ENCODE	41.23.31.2	02B8	
	COM GATE SET SIGN AND I-E CHANGE	44.13.01.2	02B7	
	COMP COUNTER 2 4 BIT DECODE NUMERIC	36.34.51.2	01A6	
	COMP CTR 8 A B BIT DECODE NUMERIC	36.34.61.2	01A6	
	COMP WD 1ST AND 2ND 8 BIT	44.70.41.2	02B6	
	COMP WD CYCLE CTL	44.70.31.2	02B6	
	COMPARE CHECK	TAU 89.50.30.1	00XC	
	COMPARE COUNTER	36.34.41.2	01A6	
	COMPARE COUNTER CONTROLS	36.34.31.2	01A6	
	COMPARE COUNTER CONTROLS NUMERIC	36.34.31.2	01A6	
	COMPARE COUNTER NUMERIC	36.34.41.2	01A6	
	COMPARE EQUAL LATCH AND CONTROL	34.21.21.2	01B6	
	COMPLEMENT AND SET A TRANS OUTPUT	44.13.11.2	02B7	
	COMPRESSED WORD OP. CODE	44.70.11.2	01B1	
	COMPRESSED WORD CTL	44.70.21.2	02B6	
	CONTROL SIGNALS CABLE DRIVE	75.01.03.2	02A8	
	CONTROL SIGNALS CABLE DRIVE	75.01.02.2	02A8	
	CPU DATA CABLE DRIVE	75.01.01.2	02A8	

724464	1401 ALPHABETICAL LOGIC LISTING	REFERENCE ONLY	00.00.00.2	EC #
	TITLE	LOGIC #	GATE	110224V
	CTRL SIGNAL TERMINATION & DIST.	79.01.06.2	02A8	
	CTRL SIGNAL TERMINATION&DIST.	79.01.05.2	02A8	
	CURRENT DRIVERS AND CURRENT SOURCES	42.57.11.2	01A1	
	CURRENT DRIVERS AND CURRENT SOURCES 1406	42.67.11.2	06B1	
	CURRENT DRIVERS AND CURRENT SOURCES 1406	42.77.11.2	06B5	
	DELAY COUNTER	TAU 89.30.40.1	00XB	
	DELAY COUNTER	TAU 89.30.41.1	00XB	
	DELAY COUNTER	TAU 89.30.42.1	00XB	
	DELAY COUNTER	TAU 89.30.43.1	00XB	
	DELAY COUNTER GATING	TAU 89.30.50.1	00XB	
	DELAY COUNTER GATING	TAU 89.30.51.1	00XB	
	DELAY COUNTER GATING	TAU 89.30.52.1	00XB	
	DELAY COUNTER GATING	TAU 89.30.53.1	00XB	
	DELAY COUNTER GATING	TAU 89.30.54.1	00XB	
	DELAY COUNTER GATING	TAU 89.30.55.1	00XB	
	DELAY COUNTER RESET TRIGGER RESET	TAU 89.30.31.1	00XB	
	DELAY COUNTER DRIVE	TAU 89.30.20.1	00XB	
	DELTA A AUX CYCLE LATCH	44.14.01.2	02B7	
	DELTA A CYCLE	31.22.11.2	01B2	
	DELTA B AUX CYCLE LATCH	44.14.21.2	02B7	
	DELTA B CYCLE	31.23.11.2	01B2	
	DELTA CYCLE CONTROL	31.20.11.2	01B2	
	DELTA I CYCLE	31.21.11.2	01B2	
	DELTA OVERLAP & OVERLAP CY LATCHES	74.31.21.2	02B1	
	DELTA PROCESS CONTROL PRINT NUMERIC	36.31.61.2	01A6	
	DELTA PROCESS CONTROL PRINT	36.31.61.2	01A6	
	DELTA PROCESS CONTROL PRINT	36.31.61.2	01A6	
	DELTA PROCESS CONTROL PRINT NUMERIC	36.31.61.2	01A6	
	DISTRIBUTION SECTION 1	35.10.11.2	01A3	
	DISTRIBUTION SECTION 1	35.10.11.2	01A3	
	DISTRIBUTION SHEET	32.40.11.2	01A7	
	DISTRIBUTION SHEET	36.37.61.2	01B5	
	DISTRIBUTION SHEET	42.62.04.2	01A8	
	DISTRIBUTION SHEET	46.10.01.2	01A4	
	DISTRIBUTION SHEET	46.36.71.2	01A5	
	DISTRIBUTION SHEET 1	36.31.81.2	01A6	
	DISTRIBUTION SHEET 1	36.31.81.2	01A6	
	DISTRIBUTION SHEET 1 NUMERIC	36.31.81.2	01A6	
	DISTRIBUTION SHEET 1 NUMERIC	36.31.81.2	01A6	
	DISTRIBUTION SHEET 2	36.31.91.2	01A6	
	DISTRIBUTION SHEET 2	36.31.91.2	01A6	
	DISTRIBUTION SHEET 2 NUMERIC	36.31.91.2	01A6	
	DISTRIBUTION SHEET 2 NUMERIC	36.31.91.2	01A6	
	DUAL SPEED CARR SLOW BRUSH LATCHES	46.51.21.2	01A5	
	DUAL SPEED CARR. BRUSH COMPARE	46.51.31.2	01A5	
	DUAL SPEED CARR. SPEED CONTROL	46.51.41.2	01A5	
	DUAL SPEED CARR. SLOW BRUSH INTEGRA	46.51.11.2	01A5	
	DUAL SPEED CAR SP SK	46.51.71.2	01B1	
	EZ TRIGGER AND CHANNEL REGISTER CTRL	36.43.21.2	01B1	
	EDIT	34.10.11.2	01B6	
	EDIT	34.10.21.2	01B6	
	EDIT	34.10.31.2	01B6	
	EDIT	34.10.41.2	01B6	
	EDIT	34.10.51.2	01B6	
	EDIT	34.10.61.2	01B6	
	EDIT CONT	35.10.31.2	01A3	
	ENCODER	36.13.11.2	01B4	
	ENCODER	36.13.21.2	01B4	

724466	1401 ALPHABETICAL LOGIC LISTING	REFERENCE ONLY	00.00.00.2	EC #
	TITLE	LOGIC #	GATE	110324V
	END DIV LAT QUOT TR & REV SCAN LAT	44.12.01.2	02B7	
	ERROR CHECK & OVERLAP CY DISP LATCH	74.21.21.2	02B1	
	ERROR STOP	TAU 89.50.52.1	00XA	
	ERROR STOP READ GATING	TAU 89.40.12.1	00XC	
	ERROR TRIGGERS	TAU 89.50.50.1	00XA	
	EVEN PARITY OPERATIONS CHECK	35.28.11.2	01B1	
	EXPANDED EDIT DECIMAL OPTION	34.11.11.2	01B6	
	EXPANDED EDIT DOLLAR OPTION	34.11.31.2	01B6	
	EXPANDED EDIT ASTERISK OPTION	34.11.21.2	01B6	
	FEED AND PUNCH RELEASE OP CODES	56.70.11.2	01B1	
	FEED THROUGH AND DISTRIBUTION SHEET	31.09.51.2	01B2	
	FEED THROUGH SHEET	34.34.11.2	01B3	
	FEED THROUGH SHEET	36.19.11.2	01B4	
	FEED THROUGH SHEET	36.37.31.2	01A6	
	FEED THROUGH SHEET	36.37.31.2	01A6	
	FEED THROUGH SHEET	36.37.81.2	01B5	
	FEED THROUGH SHEET	36.49.21.2	01B1	
	FEED THROUGH SHEET	46.36.51.2	01A5	
	FEED THROUGH SHEET NUMERIC	36.37.31.2	01A6	
	FEED THROUGH SHEET NUMERIC	36.37.31.2	01A6	
	FEED THRU	32.46.11.2	01A8	
	FEED THRU SHEET	32.40.21.2	01A7	
	FEED THRU SHEET	37.30.41.2	01A2	
	FEED THRU SHEET	70.65.11.2	02A2	
	FEED THRU SHEET	70.65.11.2	02A2	
	FIFTY ONE COLUMN SCAN CONTROL	56.80.11.2	01A8	
	FILE OP AND PERCENT LATCH	75.01.04.2	02A8	
	FINAL AMPLIFIERS	TAU 89.40.10.1	00XC	
	FIRST ADDRESS TRANSFER	75.01.10.2	02A8	
	FORWARD STOP DELAY AND COMPUTE	TAU 89.30.56.1	00XB	
	FULL STORAGE PRINT	1406 62.66.03.2	06B4	
	GO TRIGGER	TAU 89.60.11.1	00XA	
	HAMMER CHECK PLANE CONNECTIONS 1-39	46.11.01.2	01A4	
	HAMMER CHECK PLANE CONNECTIONS 34-66	46.11.11.2	01A4	
	HAMMER CHECK PLANE CONNECTIONS 67-99	46.11.21.2	01A4	
	HAMMER CHECK PLANE CONNECTION 100-132	46.11.31.2	01A4	
	HAMMER DRIVE 130-132	36.39.91.2	01B5	
	HAMMER DRIVE 100-109	36.39.61.2	01B5	
	HAMMER DRIVE 110-119	36.39.71.2	01B5	
	HAMMER DRIVE 120-129	36.39.81.2	01B5	
	HAMMER DRIVE 1-9	36.38.61.2	01B5	
	HAMMER DRIVE 10-19	36.38.71.2	01B5	
	HAMMER DRIVE 20-29	36.38.81.2	01B5	
	HAMMER DRIVE 30-39	36.38.91.2	01B5	
	HAMMER DRIVE 40-49	36.39.01.2	01B5	
	HAMMER DRIVE 50-59	36.39.11.2	01B5	
	HAMMER DRIVE 60-69	36.39.21.2	01B5	
	HAMMER DRIVE 70-79	36.39.31.2	01B5	
	HAMMER DRIVE 80-89	36.39.41.2	01B5	
	HAMMER DRIVE 90-99	36.39.51.2	01B5	
	HAMMER RESET CHECK	36.37.51.2	01B5	
	HAMMER RESET CONTROL	36.37.41.2	01B5	
	HIGH-LOW-EQUAL TEST	44.34.31.2	02A8	
	HIGH-LOW-EQUAL TEST	44.34.31.2	01B7	
	HI-LO DIGIT COMPARE SECT 1	44.33.11.2	02A8	
	HI-LO DIGIT COMPARE SECT 1	44.33.11.2	01B7	
	HI-LO DIGIT COMPARE SECT 2	44.33.21.2	02A8	
	HI-LO DIGIT COMPARE SECT 2	44.33.21.2	01B7	

724466	1401 ALPHABETICAL LOGIC LISTING	REFERENCE ONLY	00.00.00.2	EC #
	TITLE	LOGIC #	GATE	110324V
	HI-LO DIGIT COMPARE SECT 3	44.33.31.2	02A8	
	HI-LO DIGIT COMPARE SECT 3	44.33.31.2	01B7	
	HI-LO LATCH	44.34.21.2	02A8	
	HI-LO LATCH	44.34.21.2	01B7	
	HI-LO ZONE COMPARE	44.32.11.2	02A8	
	HI-LO ZONE COMPARE	44.32.11.2	01B7	
	HI-LO-EQ INPUT DIST	44.30.11.2	02A8	
	HI-LO-EQ INPUT DIST	44.30.11.2	01B7	
	HOME AND RUN TRIGGERS	36.31.11.2	01A6	
	HOME AND RUN TRIGGERS	36.31.11.2	01A6	
	HOME AND RUN TRIGGERS NUMERIC	36.31.11.2	01A6	
	HOME AND RUN TRIGGERS NUMERIC	36.31.11.2	01A6	
	HOME ERR&PR LINE COMP CTRLS NUMERIC	36.37.11.2	01A6	
	HOME ERR&PR LINE COMP CTRLS NUMERIC	36.37.11.2	01A6	
	HOME ERROR & PRINT LINE COMP CTRLS	36.37.11.2	01A6	
	HOME ERROR & PRINT LINE COMP CTRLS	36.37.11.2	01A6	
	HUNDREDS & THOUSANDS DECODE SWITCHES	42.56.11.2	01A1	
	HUNDREDS & THOUSANDS DECODE SWITCHES 1406	42.76.11.2	06B9	
	HUNDREDS AND THOUSANDS DECODE SWIT. 1406	42.66.11.2	06B1	
	HUNDREDS DECODE SWITCHES	42.55.11.2	01A1	
	HUNDREDS DECODE SWITCHES 1406	42.65.11.2	06B1	
	HUNDREDS DECODE SWITCHES 1406	42.75.11.2	06B5	
	HUNDREDS ZONE CARRY CONTROLS	41.50.71.2	02B6	
	I CYCLE LATCH	31.24.11.2	01B2	
	I O OPERATIONS	31.09.21.2	01B2	
	I RING 4-5-6-7-8	31.31.41.2	01B6	
	I RING 4-5-6-7-8 DISTRIBUTION	31.31.21.2	01B2	
	I RING CONTROL	31.30.11.2	01B2	
	I RING OP-1-2-3	31.31.31.2	01B6	
	I RING OP-1-2-3 DISTRIBUTION	31.31.11.2	01B2	
	I STAR CONTROL HUNDREDS AND GATE OUT	32.34.21.2	01A7	
	I STAR CONTROL UNITS AND TENS	32.34.11.2	01A7	
	I STAR RESTORE GATE	32.39.11.2	01A7	
	I-E CHANGE SECTION 1	31.05.11.2	01B2	
	I-E CHANGE SECTION 2	31.05.21.2	01B2	
	I-E CHANGE SECTION 3	31.05.31.2	01B2	
	I-O BRANCH CONTROL	73.11.41.2	02A2	
	I-O DATA INPUT	73.11.21.2	02A2	
	I-O LOAD AND CONTROL	73.12.21.2	02A2	
	I-O SELECT CONTROL	73.11.11.2	02A2	
	I-O SELECT CONTROL	73.11.31.2	02A2	
	I-O SELECT CONTROL	73.11.51.2	02A2	
	I-O SELECT CONTROL	73.11.61.2	02A2	
	I-O SELECT CONTROL	73.11.71.2	02A2	
	I-O WRITE	73.12.11.2	02A2	
	INDEX 1 CONTROL	41.51.61.2	02B6	
	INDEX A AND B STAR GATES	41.50.81.2	02B6	
	INDEX ADDRESS REGISTER SET	41.50.41.2	02B6	
	INDEX STAR	41.51.21.2	02B6	
	INDEX TAG LATCHES	41.50.01.2	02B6	
	INDEXING OPR CODES	41.52.31.2	01B1	
	INDICATORS - CONSOLE	37.20.11.2	01A2	
	INDICATORS - CONSOLE	37.20.21.2	01A2	
	INDICATORS REF DWG	89.02.30.0	02A1	
	INDICATORS-TAPE CE CONSOLE	71.81.11.2	02A1	
	INDICATORS-TAPE CE CONSOLE	71.81.12.2	02A1	
	INH DR TERM RES & FILTER CAP REF DWG	42.40.43.2	01A1	
	INHIBIT 1	35.11.11.2	01A3	

724064

## 1401 ALPHABETICAL LOGIC LISTING

REFERENCE ONLY

00:00:00.2

EC #

TITLE

LOGIC #

GATE

110324V

INHIBIT 2		35.11.51.2	01A3
INHIBIT 4		35.12.11.2	01A3
INHIBIT 8		35.12.51.2	01A3
INHIBIT A		35.13.11.2	01A3
INHIBIT B		35.13.51.2	01A3
INHIBIT C		35.14.11.2	01A3
INHIBIT C DIG AND C ZONE		35.15.11.2	01A3
INHIBIT CHECK LATCH		35.17.71.2	01A3
INHIBIT CHECK SECTION 1		35.17.51.2	01A3
INHIBIT CHECK SECTION 2		35.17.61.2	01A3
INHIBIT DRIVERS		42.58.11.2	01A1
INHIBIT DRIVERS	1406	42.68.11.2	06B1
INHIBIT DRIVERS	1406	42.78.11.2	06B3
INHIBIT DRIVERS		46.10.51.2	01A4
INHIBIT GATING AND ARITH CHECK LATCH		44.13.21.2	02B7
INHIBIT RESISTORS&FILTER C REF. DWG. 1406		42.68.21.2	06B1
INHIBIT WM		35.14.51.2	01A3
INPUT OUTPUT LINES REF DWG		73.91.91.2	02A2
INPUTS FROM TAU REF DWG		89.02.35.0	02A1
INPUTS FROM TAPE DRIVE T330 REF DWG		89.02.21.0	02A1
INPUTS FROM TAPE UNIT 729 REF DWG		89.02.20.0	02A1
INQUIRY ATTACHMENT CONTROL CKTS		77.01.11.2	01B7
INQUIRY ATTACHMENT DATA CKTS		77.01.21.2	01B7
INQUIRY ATTACHMENT--DATA CKTS		77.01.21.2	02A8
INQUIRY ATTACHMENT--CONTROL CKTS		77.01.11.2	02A8
INQUIRY FEED THRU MOD-D		77.01.31.2	01B7
INQUIRY-MODE MODIFY		77.01.01.2	01A2
INTERLOCK STOP		36.02.11.2	01B4
LAST ADDRESS & READ END CONTROL		36.14.11.2	01B4
LOAD LATCH AND GATED WM		31.07.11.2	01B2
LOGIC INDEX	TAU	89.10.01.1	
LOGIC INDEX	TAU	89.10.02.1	
LOGIC INDEX	TAU	89.10.03.1	
LOGIC INDEX		31.01.10.2	01B2
LOGIC INDEX		31.10.10.2	01B3
LOGIC INDEX		32.30.10.2	01A7
LOGIC INDEX		34.00.00.2	01B6
LOGIC INDEX		35.10.10.2	01A5
LOGIC INDEX		35.20.10.2	01B1
LOGIC INDEX		36.00.00.2	01A6
LOGIC INDEX		36.01.10.2	01A6
LOGIC INDEX		36.01.10.2	01A8
LOGIC INDEX		36.01.10.2	01B4
LOGIC INDEX		36.17.10.2	01B7
LOGIC INDEX		36.30.10.2	01A6
LOGIC INDEX		36.30.10.2	01A6
LOGIC INDEX		36.37.00.2	01B5
LOGIC INDEX		37.00.00.2	01A2
LOGIC INDEX		37.17.10.2	01B7
LOGIC INDEX		41.11.10.2	02B8
LOGIC INDEX		42.53.10.2	
LOGIC INDEX	1406	42.63.10.2	06B1
LOGIC INDEX	1406	42.65.00.2	06B4
LOGIC INDEX	1406	42.73.10.2	06B5
LOGIC INDEX		44.10.00.2	02B7
LOGIC INDEX		44.15.00.2	02A7
LOGIC INDEX		44.30.01.2	02A8
LOGIC INDEX		44.30.10.2	01B7

724464	1401 ALPHABETICAL LOGIC LISTING	REFERENCE ONLY	00.00.00.2	EC #
	TITLE	LOGIC #	GATE	110324V
	LOGIC INDEX	44.70.00.2	02B6	
	LOGIC INDEX	46.10.00.2	01A4	
	LOGIC INDEX	46.36.10.2	01A5	
	LOGIC INDEX	46.51.10.2	01A5	
	LOGIC INDEX	70.10.10.2	02A1	
	LOGIC INDEX	70.10.11.2	02A2	
	LOGIC INDEX	70.10.11.2	02A2	
	LOGIC INDEX	74.10.10.2	02B1	
	LP PT & BUSY & REWIND REWIND UNLD	TAU 89.60.02.1	00XA	
	LRCR ERROR & LRCR RESET	TAU 89.50.42.1	00XC	
	LRCR REG PSNS 1 2 4 AND 8 BITS	TAU 89.50.40.1	00XC	
	LRCR REG PSNS A B AND C BITS	TAU 89.50.41.1	00XC	
	MANUAL CARRIAGE CTRL	36.47.11.2	01B1	
	MANUAL CONTROLS SECTION 1	31.03.11.2	01B2	
	MANUAL CONTROLS SECTION 2	31.03.21.2	01B2	
	MANUAL CONTROLS SECTION 3	31.03.31.2	01B2	
	MANUAL OPERATION	71.71.41.2	02A1	
	MANUAL OPERATION	71.71.61.2	02A1	
	MANUAL OPERATION-C.E. CONSOLE	71.71.31.2	02A1	
	MANUAL OPERATION-OPERATORS CONSOLE	71.71.11.2	02A1	
	MANUAL OPERATION-OPERATORS CONSOLE	71.71.11.2	01A2	
	MANUAL OPERATION RESET AND LOAD TAPE	71.71.21.2	02A1	
	MEMORY SWITCH DRIVE	46.37.91.2	01A5	
	MOD. CTRLS IV TRAN & 1400 CHAR CTRL	32.42.41.2	01A8	
	MOD. CTRLS III UNITS&TENS BOR. & CR	32.42.31.2	01A8	
	MODIFIER CONTROLS II MOD6361-1	32.42.21.2	01A8	
	MODIFIER CTRLS Y PLUS 1 AND MINUS 1	32.42.11.2	01A8	
	MODIFIER EVEN DIGIT GENERATOR	32.44.21.2	01A8	
	MODIFIER INVALID ADDRESS	32.44.41.2	01A8	
	MODIFIER ODD DIGIT GENERATOR	32.44.11.2	01A8	
	MODIFIER SECT 2 BIT	32.43.21.2	01A8	
	MODIFIER SECT A BIT	32.43.51.2	01A8	
	MODIFIER SECT. 4 BIT	32.43.31.2	01A8	
	MODIFIER SECT. 8 BIT	32.43.41.2	01A8	
	MODIFIER SECT. B BIT	32.43.61.2	01A8	
	MODIFIER SECT. BORROW-CARRY BIT	32.43.91.2	01A8	
	MODIFIER SECT. CZ BIT	32.43.81.2	01A8	
	MODIFIER SECT. C DIGIT BIT	32.43.71.2	01A8	
	MODIFIER ZONE CK GEN	32.44.31.2	01A8	
	MODIFIER-SECT 1 BIT	32.43.11.2	01A8	
	MODIFY OPERATION CONTRLS	1406 42.65.02.2	06B4	
	MOVE COLUMN BINARY	41.11.41.2	02B8	
	MOVE RECORD	41.51.71.2	02B6	
	MULTIPLY AND DIVIDE OP CODES	44.10.91.2	01B1	
	O REGISTER GATING-WRITE LATCH	74.11.71.2	02B1	
	ODD PARITY OPERATIONS CHECK	35.28.21.2	01B1	
	ODD-EVEN CHARACTER COUNTER	TAU 89.40.62.1	00XC	
	OP REG ZONE DECODE	35.22.11.2	01B1	
	OP REGISTER LATCH	35.21.11.2	01B1	
	OP REGISTER UNITS DECODE 1	35.23.11.2	01B1	
	OP REGISTER UNITS DECODE 2	35.23.21.2	01B1	
	OPERATION CODES B NOT A ZONE	35.25.11.2	01B1	
	OPERATION CODES A NOT B ZONE	35.26.11.2	01B1	
	OPERATION CODES AB ZONE	35.24.11.2	01B1	
	OPERATION CODES NOT AB ZONE	35.27.11.2	01B1	
	OPERATIONAL DECODE	70.11.21.2	02A2	
	OPERATIONAL DECODE	70.11.21.2	02A2	
	OPERATIONAL DECODE	70.11.41.2	02A2	



724464	1401 ALPHABETICAL LOGIC LISTING	REFERENCE ONLY	00-00-00-2	EC #
	TITLE	LOGIC #	GATE	110324V
	OPERATIONAL DECODE	70-11-41-2	02A2	
	OPERATIONAL DECODE	71-11-11-2	02A1	
	OPERATIONAL DECODE	71-11-21-2	02A1	
	OPERATIONAL DECODE	71-11-31-2	02A1	
	OPERATIONS CHECK LATCH	35-28-31-2	01B1	
	OPR REG DISPLAY DRIVE	35-29-11-2	01B1	
	OUTPUTS TO TAPE UNIT 729 REF DWG	89-02-25-0	02A1	
	OUTPUTS TO TAPE DRIVE-7330 REF DWG	89-02-26-0	02A1	
	OUTPUTS TO TAU REF DWG	89-02-30-0	02A1	
	OVERLAP BUSY AND COMPLETE CONTROLS	74-21-11-2	02B1	
	OVERLAP CONTROLS	71-61-21-2	02A1	
	OVERLAP CONTROLS	74-21-31-2	02B1	
	OVERLAP INTERLOCK STOP CONTROLS	74-31-61-2	02B1	
	OVERLAP PROCESS INTERLOCK CONTROLS 2	74-31-51-2	02B1	
	OVERLAP STAR-GATING	74-11-11-2	02B1	
	OVERLAP STAR-HUNDREDS	74-11-41-2	02B1	
	OVERLAP STAR-TENS	74-11-31-2	02B1	
	OVERLAP STAR-UNITS	74-11-21-2	02B1	
	OVERLAP START CONTROLS	74-31-11-2	02B1	
	OVERLAP-PROCESS INTERLOCK CONTROLS 1	74-31-41-2	02B1	
	PFR CHECK LOGIC	56-17-41-2	01B7	
	PFR CHECK PLANE REGISTER	56-10-91-2	01B7	
	PFR ENCODE-VALIDITY	56-13-11-2	01B4	
	PFR OP CODE GENERATION	56-15-11-2	01B7	
	PR PAR ERROR	46-36-91-2	01A5	
	PR RDY START-AFTER SP CTRL NUMERIC	36-31-71-2	01A6	
	PR RDY START-AFTER SP CTRL NUMERIC	36-31-71-2	01A6	
	PR RDY TR-SET 201 202 2 3	36-31-31-2	01A6	
	PR RDY TR-SET 201 202 2 3 NUMERIC	36-31-31-2	01A6	
	PR SCAN PR SCAN COMP AND WM PR TRIG	36-31-41-2	01A6	
	PR SCAN PR SCAN COMP AND WM PR TRIG	36-31-41-2	01A6	
	PR SCAN PR SCAN COMP TRS NUMERIC	36-31-41-2	01A6	
	PR SCAN PR SCAN COMP TRS NUMERIC	36-31-41-2	01A6	
	PR XFER AND PR XFER COMP TRS	36-31-51-2	01A6	
	PR XFER AND PR XFER COMP TRS NUMERIC	36-31-51-2	01A6	
	PRE-SENSE AND SENSE AMPLIFIERS	1406 42-69-11-2	06B1	
	PRE-SENSE AND SENSE AMPLIFIERS	1406 42-79-11-2	06B3	
	PRE-SENSE AND SENSE AMPLIFIERS-2K	42-59-11-2	01A1	
	PRE-SENSE AND SENSE AMPLIFIERS -4K	42-59-11-2	01A1	
	PRINT BUFFER RING DRIVE	46-37-71-2	01A5	
	PRINT BUFFER TENS RING	46-37-61-2	01A5	
	PRINT BUFFER TENS DRIVE	36-37-91-2	01B5	
	PRINT BUFFER UNITS RING U0-U4	46-37-41-2	01A5	
	PRINT BUFFER UNITS RING U5-U9	46-37-51-2	01A5	
	PRINT COMPARE	36-33-21-2	01A6	
	PRINT COMPARE	36-33-21-2	01A6	
	PRINT COMPARE NUMERIC	36-33-21-2	01A6	
	PRINT COMPARE NUMERIC	36-33-21-2	01A6	
	PRINT CONTROL CLOCK PULSES	46-37-81-2	01A5	
	PRINT ERROR	36-37-21-2	01A6	
	PRINT ERROR	36-37-21-2	01A6	
	PRINT ERROR NUMERIC	36-37-21-2	01A6	
	PRINT ERROR NUMERIC	36-37-21-2	01A6	
	PRINT INTERLOCK RD PCH	36-31-51-2	01A6	
	PRINT INTERLOCK RD PCH NUMERIC	36-31-51-2	01A6	
	PRINT READY START & AFTER SPACE CTRL	36-31-71-2	01A6	
	PRINT READY START & AFTER SPACE CTRL	36-31-71-2	01A6	
	PRINT READY TR AND SET 201 NUMERIC	36-31-31-2	01A6	

724464

## 1401 ALPHABETICAL LOGIC LISTING

REFERENCE ONLY

00.00.00.2

EC #

TITLE	LOGIC #	GATE	110324V
PRINT READY TRIGGER AND SET 201	36.31.31.2	01A6	
PRINT SCAN COUNTER	36.35.11.2	01A6	
PRINT SCAN COUNTER	36.35.11.2	01A6	
PRINT SCAN COUNTER NUMERIC	36.35.11.2	01A6	
PRINT SCAN COUNTER NUMERIC	36.35.11.2	01A6	
PRINT STORAGE LATCHES 1 2 4 8	46.10.21.2	01A4	
PRINT STORAGE LATCHES A-B-C-WM	46.10.31.2	01A4	
PRINT STORAGE SENSE AMPLIFIERS	46.10.61.2	01A4	
PRINT STORAGE ARRAY	46.11.41.2	01A4	
PRINT STRG LTCHS WM-PEC-PLC-EGC	46.10.41.2	01A4	
PROCESS CHECK AND MAR KEY CONTROL	31.09.11.2	01B2	
PROCESS CONTROL SECTION 1	31.02.11.2	01B2	
PROCESS CONTROL SECTION 2	31.02.21.2	01B2	
PROCESS CONTROL SECTION 3	31.02.31.2	01B2	
PROCESS CONTROL SECTION 4	31.02.41.2	01B2	
PROGRAM ACTIVITY RECORDING CONTROLS	74.11.81.2	02B1	
PROGRAM SKIP LATCH	31.08.11.2	01B2	
PROGRAM SKIP POSITIVE TEST	34.21.31.2	01B6	
PSS COUNTER	36.34.11.2	01A6	
PSS COUNTER	36.34.31.2	01A6	
PSS COUNTER 2 4 BIT DECODE NUMERIC	36.34.51.2	01A6	
PSS COUNTER 8 A B BIT DECODE NUMERIC	36.34.61.2	01A6	
PSS COUNTER ADVANCES	36.34.21.2	01A6	
PSS COUNTER ADVANCES NUMERIC	36.34.21.2	01A6	
PSS COUNTER ADJUST CONTROL TRIGGERS	36.34.11.2	01A6	
PSS COUNTER CONTROL GATES	36.34.41.2	01A6	
PSS COUNTER CONTROL GATES NUMERIC	36.34.41.2	01A6	
PSS COUNTER CONTROL TRIGGERS NUMERIC	36.34.11.2	01A6	
PSS COUNTER CONTROLS	36.34.21.2	01A6	
PSS COUNTER CONTROLS NUMERIC	36.34.21.2	01A6	
PSS COUNTER NUMERIC	36.34.11.2	01A6	
PSS COUNTER NUMERIC	36.34.31.2	01A6	
PSS MEMORY RING	36.31.21.2	01A6	
PSS MEMORY RING	36.31.21.2	01A6	
PSS MEMORY RING NUMERIC	36.31.21.2	01A6	
PSS MEMORY RING NUMERIC	36.31.21.2	01A6	
PSS TRIGGER	36.31.01.2	01A6	
PSS TRIGGER	36.31.01.2	01A6	
PSS TRIGGER NUMERIC	36.31.01.2	01A6	
PSS TRIGGER NUMERIC	36.31.01.2	01A6	
PULSE DISTRIBUTION	44.10.11.2	02B7	
PULSE DISTRIBUTION AND FEED THRU	44.10.01.2	02B7	
PUNCH CB GENERATION	36.21.11.2	01B4	
PUNCH CHECK DECODE	36.23.41.2	01B7	
PUNCH CHECK DECODE	36.23.41.2	01B7	
PUNCH DECODE	36.23.11.2	01B7	
PUNCH DECODE	36.23.11.2	01B7	
PUNCH DECODE	36.23.31.2	01B7	
PUNCH DECODE	36.23.31.2	01B7	
PUNCH DRIVER RESET	36.28.11.2	01B7	
PUNCH DRIVER RESET	36.28.11.2	01B7	
PUNCH DRIVE TENS	36.28.21.2	01B7	
PUNCH DRIVE TENS	36.28.21.2	01B7	
PUNCH FEED	36.24.11.2	01B4	
PUNCH MATRIX 0-1	36.29.11.2	01B7	
PUNCH MATRIX 0-1	36.29.11.2	01B7	
PUNCH MATRIX 2-3	36.29.21.2	01B7	
PUNCH MATRIX 2-3	36.29.21.2	01B7	

724464

## 1401 ALPHABETICAL LOGIC LISTING

REFERENCE ONLY

00-00-00-2

EG #

TITLE	LOGIC #	GATE	110824V
PUNCH MATRIX 4-5	36.29.31.2	01B7	
PUNCH MATRIX 4-5	36.29.31.2	01B7	
PUNCH MATRIX 6-7	36.29.41.2	01B7	
PUNCH MATRIX 6-7	36.29.41.2	01B7	
PUNCH MATRIX 8-9	36.29.51.2	01B7	
PUNCH MATRIX 8-9	36.29.51.2	01B7	
PUNCH SCAN GENERATION	36.22.11.2	01B4	
PUNCH SCAN COMPLETE	36.01.21.2	01B4	
QUI BINARY DOUBLER	44.18.11.2	02A7	
QUI-BINARY VALIDITY CHECK MATRIX	34.32.19.2	01B6	
QUI-BINARY VALIDITY CHECK LATCH	34.32.20.2	01B6	
QUI-BINARY DOUBLER CARRY TRIGGER	44.18.21.2	02A7	
QUI-BINARY DOUBLER ENTRY	44.18.01.2	02A7	
QUIN ADDER Q0 Q2 Q4 Q6 Q8 NOT CARRY	34.32.14.2	01B3	
QUINARY ADDER OUTPUT	34.32.17.2	01B3	
QUINARY ADDER-Q0 Q2 Q4 Q6 CARRY	34.32.15.2	01B3	
RD PCH COL BIN LATCH	41.11.21.2	02B8	
RD PCH COL BIN TRIGGER	41.11.11.2	02B8	
RD-PCH COL BIN MAR CONTROL	41.11.31.2	02B8	
READ A REG VRC	TAU 89.50.10.1	00XC	
READ CLOCK	TAU 89.10.20.1	00XB	
READ CLOCK GATING	TAU 89.10.30.1	00XB	
READ CLOCK GATING	TAU 89.10.31.1	00XB	
READ CLOCK DRIVE	TAU 89.10.10.1	00XB	
READ CONDITION	TAU 89.60.20.1	00XA	
READ DELAY CONTROL	TAU 89.30.10.1	00XB	
READ FEED	36.10.11.2	01B4	
READ GATING	70.61.21.2	02A2	
READ GATING	70.61.21.2	02A2	
READ GATING	70.61.31.2	02A2	
READ GATING	70.61.31.2	02A2	
READ GATING	70.61.41.2	02A2	
READ GATING	70.61.41.2	02A2	
READ GATING	71.61.11.2	02A1	
READ IMP CB LOGIC	36.10.21.2	01B4	
READ PUNCH RELEASE	36.70.21.2	01B4	
READ PUNCH INDICATION	36.18.11.2	01B4	
READ RECOGNITION	TAU 89.40.60.1	00XC	
READ RECOGNITION	TAU 89.40.61.1	00XA	
READ SCAN COMPLETE	36.01.31.2	01B4	
READ SCAN GENERATION	36.11.11.2	01B4	
READ WRITE VRC	TAU 89.50.20.1	00XC	
REFERENCE DRAWING	73.00.00.2	02A2	
REG A AND REG B C BIT PSN	TAU 89.40.23.1	00XC	
REG A AND REG B 1 AND 2 BIT PSNS	TAU 89.40.20.1	00XC	
REG A AND REG B 4 AND 8 BIT PSNS	TAU 89.40.21.1	00XC	
REG A AND REG B A AND B BIT PSNS	TAU 89.40.22.1	00XC	
REVERSE SCAN	31.04.11.2	01B2	
R-W REGISTER BIT POSITION	TAU 89.40.50.1	00XC	
R-W REGISTER BIT POSITION	TAU 89.40.51.1	00XC	
R-W REGISTER BIT POSITION	TAU 89.40.52.1	00XC	
ROW BIT CORE & RD BRSH CONN REF DWG	42.40.51.1	01A1	
ROW BIT CORES & PR MAG CONN REF DWG	42.40.52.1	01A1	
SEL&READY RD-WRITE	TAU 89.60.10.1	00XA	
SELECT & READY	TAU 89.60.01.1	00XA	
SENSE SWITCHES OPTIONAL	34.22.11.2	01B6	
SERIAL DISTRIBUTION SECTION I	32.41.11.2	01A8	
SERIAL DISTRIBUTION SECTION II	32.41.21.2	01A8	

TITLE	LOGIC #	GATE	EC #
SERIAL DISTRIBUTION SECTION III	32.41.31.2	01A8	110324V
SERIAL DISTRIBUTION SECTION IV	32.41.41.2	01A8	
SERIAL GATE 1 AND 2 BITS	32.39.21.2	01A7	
SERIAL GATE 4 AND 8 BITS	32.39.31.2	01A7	
SERIALIZING GATE CD AND HCZ	32.39.41.2	01A7	
SERIALIZING GATE HA AND HB	32.39.51.2	01A7	
SET STARS AND ADDER CARRY	44.13.31.2	02B7	
SET UP A REG CONTROL	36.12.21.2	01B4	
SET UP ADDR CONTROL	36.12.11.2	01B4	
SIGN CONTROL AND B BIT ZONE ADDER	34.33.12.2	01B3	
SIGN TRIGGER	44.11.31.2	02B7	
SIGNAL DISTRIBUTION SHEET	36.49.11.2	01B1	
SINGLE CYCLE PRINT CONTROLS NUMERIC	36.35.21.2	01A6	
SINGLE CYCLE PRINT CONTROLS	36.35.21.2	01A6	
SINGLE CYCLE PRINT CONTROLS	36.35.21.2	01A6	
SINGLE CYCLE PRINT CONTROLS NUMERIC	36.35.21.2	01A6	
SKEW ERROR & A REG VRC	TAU 89.50.51.1	00XA	
SOCKET RESERVATIONS	TAU 89.90.11.9	00XB	
SOCKET RESERVATIONS	TAU 89.90.12.8	00XC	
SOCKET RESERVATIONS	TAU 89.90.12.9	00XC	
SOCKET RESERVATIONS	TAU 89.90.10.8	00XA	
SOCKET RESERVATIONS	TAU 89.90.10.9	00XA	
SPACE COUNTER	36.46.21.2	01B1	
SPACE SKIP REGISTER	36.44.11.2	01B1	
SPACE SKIP COMPARE EQUAL	36.45.11.2	01B1	
SPECIAL CHARACTER COMPARE	44.31.11.2	02A8	
SPECIAL CHARACTER COMPARE	44.31.11.2	01B7	
STACKER SELECT	36.50.11.2	01B4	
START	31.01.11.2	01B2	
STOP BRUSH INTEGRATION	36.41.11.2	01B1	
STOP BRUSH INTEGRATION	36.41.21.2	01B1	
STOP I-O ATTACHMENT	73.11.83.2	01B6	
STOP SS TRIGGER	36.48.11.2	01B1	
STOR ADDRESSING H8 LOCATION C14-D14	32.37.41.2	01A7	
STOR ADDRESSING HA LOCATION C16-D16	32.38.11.2	01A7	
STOR ADDRESSING HB LOCATION C17-D17	32.38.21.2	01A7	
STOR ADDRESSING HCD LOCATION C15-D15	32.37.51.2	01A7	
STOR ADDRESSING HCZ LOCATION C18-D18	32.38.31.2	01A7	
STORAGE ADDR MANUAL CONTROL & RESET	32.30.11.2	01A7	
STORAGE ADDRESS U1 LOCATION C01-D 1	32.35.11.2	01A7	
STORAGE ADDRESS T1 LOCATION C06-D 6	32.36.11.2	01A7	
STORAGE ADDRESS H1 LOCATION C11-D11	32.37.11.2	01A7	
STORAGE ADDRESS U2 LOCATION C02-D 2	32.35.21.2	01A7	
STORAGE ADDRESS T2 LOCATION C07-D 7	32.36.21.2	01A7	
STORAGE ADDRESS H2 LOCATION C12-D12	32.37.21.2	01A7	
STORAGE ADDRESS U4 LOCATION C03-D 3	32.35.31.2	01A7	
STORAGE ADDRESS T4 LOCATION C08-D 8	32.36.31.2	01A7	
STORAGE ADDRESS U8 LOCATION C04-D 4	32.35.41.2	01A7	
STORAGE ADDRESS T8 LOCATION C09-D 9	32.36.41.2	01A7	
STORAGE ADDRESS UA LOCATION C19-D19	42.61.01.2	01A7	
STORAGE ADDRESS UB LOCATION C21-D21	42.61.03.2	01A7	
STORAGE ADDRESS UCD LOCATION C05-D 5	32.35.51.2	01A7	
STORAGE ADDRESS TCD LOCATION C10-D10	32.36.51.2	01A7	
STORAGE ADDRESS UCZ LOCATION C20-D20	42.61.02.2	01A7	
STORAGE ADDRESSING H4 LOCATION C13-D13	32.37.31.2	01A7	
STORAGE CLOCK PULSES Z1 Z2	31.12.94.2	01B3	
STORAGE CONTROL PULSE GENERATION	1406 42.67.02.2	06B4	
STORAGE CORE FRAME REF & DWG.	1406 42.60.11.2	06B1	

724484

## 1401 ALPHABETICAL LOGIC LISTING

REFERENCE ONLY

00.00.00.2

EC #

TITLE

LOGIC #

GATE

110324V

STORAGE CORE FRAME REF. DWG.	1406	02.70.11.2	06B5
STORAGE CORE FRAMES REF DWG		42.40.11.2	01A1
STORE CONTROLS		41.51.41.2	02B6
STORE CYCLE DRIVERS		41.50.31.2	02B6
STORE I STAR		41.51.51.2	02B6
STORE INDEX CONTROL		41.51.31.2	02B6
STORE INDEX CYCLE TRIGGERS		41.50.21.2	02B6
STORE INDEX CYCLE TRIG GATES		41.50.11.2	02B6
STOR. CLOCK PULSES R1 R2 R3 STROBE A		31.12.93.2	01B3
SW CORE DRIVE TERM RES 4K REF DWG		42.40.41.1	01A1
SW CORE DRIVE TERM RES 2K REF DWG		42.40.42.2	01A1
SWITCH MODE		37.30.11.2	01A2
SWITCH MODE II		37.30.12.2	01A2
SWITCH MODE-INQUIRY MACH ONLY		37.30.11.2	01A2
SWITCHES AND INDICATORS CONSOLE		37.31.11.2	01A2
SWITCHES CONSOLE LOWER PANEL		37.10.11.2	01A2
SWITCHES LOWER PANEL		37.30.31.2	01A2
SWITCHES MANUAL ADDRESS THOUSANDS		37.30.22.2	01A2
SWITCHES MANUAL ADDRESS UNITS & TENS		37.30.21.2	01A2
T TIME 000-015 015-045		31.12.22.2	01B3
T TIME 000-030 030-060		31.12.12.2	01B3
T TIME 030-105 075-105 75-000		31.12.41.2	01B3
T TIME 045-060 015-030 060-075		31.12.31.2	01B3
T TIME 045-075 U TIME 0 60		31.12.92.2	01B3
T TIME 060-000 075-090 030-090		31.12.32.2	01B3
T TIME 060-090		31.12.11.2	01B3
T TIME 090-000		31.12.21.2	01B3
T TIME 090-105 105-000		31.12.42.2	01B3
T TIME 090-030 U TIME 075-105		31.12.91.2	01B3
TAPE AND RP OVERLAP MODE LATCHES		74.21.01.2	02B1
TAPE OVERLAP CONTROL INTERLOCK		74.41.11.2	02B1
TAPE UNIT LINES	TAU	89.60.50.1	00XA
TAPE UNIT LINES	TAU	89.60.51.1	00XA
TENS ADDRESS DECODE		36.38.41.2	01B5
TENS DECODE SWITCH	1406	42.64.11.2	06B1
TENS DECODE SWITCH	1406	42.70.11.2	06B5
TENS HAMMER DRIVE		36.38.31.2	01B5
TENS RING SWITCHES		46.10.81.2	01A4
TENS RING SWITCHES AND INHIBIT TERM		46.10.91.2	01A4
TIE DOWN LIST REFERENCE DRAWING		42.40.10.2	01A1
TRANSFER PROGRAM		73.01.09.2	02A8
TRANSFER PROGRAM SKIP		34.21.41.2	01B6
TRANSFER SCAN MAR CONTROL		56.12.11.2	01B7
TRANSLATE AND CHECK DIGIT		34.32.18.2	01B3
TRUE COMPLEMENT		34.31.12.2	01B3
TRUE COMPLEMENT BINARY ENTRY		44.18.31.2	02A7
TRUE COMPLEMENT ANALYSIS		34.31.11.2	01B3
TRUE COMPLEMENT QUINARY ENTRY		44.18.41.2	02A7
U TIME 000-015 060-090		31.12.61.2	01B3
U TIME 000-030 030-060 T TIME 000-6		31.12.51.2	01B3
U TIME 030-045 045-060 60-075		31.12.71.2	01B3
U TIME 105-000 090-000		31.12.62.2	01B3
U0-U4 HAMMER DRIVE		36.38.01.2	01B5
U5-U9 HAMMER DRIVE		36.38.11.2	01B5
UNIT PLUGGING CHART	TAU	89.90.11.1	00XB
UNIT PLUGGING CHART	TAU	89.90.12.1	00XC
UNIT PLUGGING CHART	TAU	89.90.51.1	00XA
UNIT PLUGGING CHART		31.01.20.2	01B2

724464	1401 ALPHABETICAL LOGIC LISTING	REFERENCE ONLY	00.00.00.2	EC #
	TITLE	LOGIC #	GATE	110324V
	UNIT PLUGGING CHART	31.10.20.2	01B3	
	UNIT PLUGGING CHART	31.31.30.2	01B6	
	UNIT PLUGGING CHART	32.30.20.2	01A7	
	UNIT PLUGGING CHART	32.36.02.2	01A8	
	UNIT PLUGGING CHART	35.10.20.2	01A3	
	UNIT PLUGGING CHART	35.20.20.2	01B1	
	UNIT PLUGGING CHART	36.01.10.2	01A6	
	UNIT PLUGGING CHART	36.01.20.2	01B4	
	UNIT PLUGGING CHART	36.17.20.2	01B7	
	UNIT PLUGGING CHART	36.17.20.2	01B7	
	UNIT PLUGGING CHART	36.30.20.2	01A6	
	UNIT PLUGGING CHART	36.30.20.2	01A6	
	UNIT PLUGGING CHART	36.30.30.2	01A6	
	UNIT PLUGGING CHART	36.37.10.2	01B5	
	UNIT PLUGGING CHART	37.10.10.2	01A2	
	UNIT PLUGGING CHART	41.10.10.2	02B8	
	UNIT PLUGGING CHART	41.50.00.2	02B6	
	UNIT PLUGGING CHART	42.53.20.2	01A1	
	UNIT PLUGGING CHART	1406 42.63.00.2	06B1	
	UNIT PLUGGING CHART	1406 42.64.00.2	06B4	
	UNIT PLUGGING CHART	1406 42.73.10.2	06B5	
	UNIT PLUGGING CHART	44.15.10.2	02A7	
	UNIT PLUGGING CHART	44.30.01.2	01B7	
	UNIT PLUGGING CHART	44.30.02.2	02A8	
	UNIT PLUGGING CHART	44.44.10.2	02B7	
	UNIT PLUGGING CHART	ERM 46.10.10.2	01A4	
	UNIT PLUGGING CHART	46.36.20.2	01A5	
	UNIT PLUGGING CHART	46.51.00.2	01A5	
	UNIT PLUGGING CHART	70.10.11.2	02A2	
	UNIT PLUGGING CHART	71.10.11.2	02A1	
	UNIT PLUGGING CHART	73.11.82.2	02A2	
	UNIT PLUGGING CHART	74.11.10.2	02B1	
	UNITS ADDRESS DECODE	36.38.51.2	01B5	
	UNITS DECODE SWITCH	42.53.11.2	01A1	
	UNITS DECODE SWITCH	1406 42.63.11.2	06B1	
	UNITS DECODE SWITCH	1406 42.73.11.2	06B5	
	UNITS HAMMER DRIVE DISTRIBUTION	36.38.21.2	01B5	
	UNITS RING SWITCHES	46.10.71.2	01A4	
	UNITS ZONE SERIALIZING GATE	42.61.04.2	01A7	
	UTIME90-105 30-90 75-90 30-000 60 9	31.12.81.2	01B3	
	VALIDITY CHECK	36.13.31.2	01B4	
	VOLTAGE DISTRIBUTION	71.71.51.2	02A1	
	WRITE CLOCK	TAU 89.20.20.1	00XB	
	WRITE CLOCK AND DELAY COUNT DRIVE	TAU 89.20.10.1	00XB	
	WRITE CLOCK GATING	TAU 89.20.30.1	00XB	
	WRITE CONDITION	TAU 89.60.30.1	00XA	
	WRITE DELAY CONTROL	TAU 89.30.11.1	00XB	
	WRITE DISC TAPE MARK ERASE	TAU 89.60.31.1	00XA	
	WRITE GATING	70.51.21.2	02A2	
	WRITE GATING	70.51.21.2	02A2	
	WRITE GATING	70.51.31.2	02A2	
	WRITE GATING	70.51.31.2	02A2	
	WRITE GATING INPUT TO TAU	71.51.21.2	02A1	
	WRITE GATING-O REG. STORE A REG.	74.11.61.2	02B1	
	X POSITION LAT AND MULTIPLIER LAT	44.11.21.2	02B7	
	ZONE BIT GENERATOR	34.33.11.2	01B3	

728702

1403 OR 1404 SUMMARY CONNECTOR #1

01A2

21.04 01.2

TAG DATE

SHEET 1 OF 6 SHEETS  
REFERENCE DRAWING

C 8.2.63  
TA 1664A

D 12.11.63  
TA 604A

PIN NO	1403 OR 1404 DIAGRAM	SIGNAL NAME	1401 EDGE		VIA POINTS IN 1401	1402 POWER	
			CONNECTOR	1401 DIAGRAM		CONNECTOR	1402 DIAGRAM
1	00.02.1	HAMMER FIRE 1	01B5-A03A	36.38.61.2			
2	00.02.1	HAMMER RESPONSE 1 & 3			01B8-MINUS 60 VOLTS RETURN		
3	00.02.1	HAMMER FIRE 3	01B5-A03B	36.38.61.2			
4	00.02.1	HAMMER FIRE 5	01B5-A03C	36.38.61.2			
5	00.02.1	HAMMER RESPONSE 5 & 7			01B8-MINUS 60 VOLTS RETURN		
6	00.02.1	HAMMER FIRE 7	01B5-A03D	36.38.61.2			
7	00.02.1	HAMMER FIRE 9	01B5-A03E	36.38.61.2			
8	00.02.1	HAMMER RESPONSE 9 & 11			01B8-MINUS 60 VOLTS RETURN		
9	00.02.1	HAMMER FIRE 11	01B5-A03F	36.38.71.2			
10	00.02.1	HAMMER FIRE 13	01B5-A03G	36.38.71.2			
11	00.02.1	HAMMER RESPONSE 13 & 15			01B8-MINUS 60 VOLTS RETURN		
12	00.02.1	HAMMER FIRE 15	01B5-A03H	36.38.71.2			
13	00.02.1	HAMMER FIRE 17	01B5-A03J	36.38.71.2			
14	00.02.1	HAMMER RESPONSE 17 & 19			01B8-MINUS 60 VOLTS RETURN		
15	00.02.1	HAMMER FIRE 19	01B5-A03K	36.38.71.2			
16	00.02.1	HAMMER FIRE 21	01B5-A03L	36.38.81.2			
17	00.02.1	HAMMER RESPONSE 21 & 23			01B8-MINUS 60 VOLTS RETURN		
18	00.02.1	HAMMER FIRE 23	01B5-A03M	36.38.81.2			
19	00.02.1	HAMMER FIRE 25	01B5-A03N	36.38.81.2			
20	00.02.1	HAMMER RESPONSE 25 & 27			01B8-MINUS 60 VOLTS RETURN		
21	00.02.1	HAMMER FIRE 27	01B5-A03P	36.38.81.2			
22	00.02.1	HAMMER FIRE 29	01B5-A03Q	36.38.81.2			
23	00.02.1	HAMMER RESPONSE 29 & 31			01B8-MINUS 60 VOLTS RETURN		
24	00.02.1	HAMMER FIRE 31	01B5-A03R	36.38.91.2			
25	00.02.1	HAMMER FIRE 33	01B5-A04A	36.38.91.2			
26	00.02.1	HAMMER RESPONSE 33 & 35			01B8-MINUS 60 VOLTS RETURN		
27	00.02.1	HAMMER FIRE 35	01B5-A04B	36.38.91.2			
28	00.02.1	HAMMER FIRE 37	01B5-A04C	36.38.91.2			
29	00.02.1	HAMMER RESPONSE 37 & 39			01B8-MINUS 60 VOLTS RETURN		
30	00.02.1	HAMMER FIRE 39	01B5-A04D	36.38.91.2			
31	00.02.1	HAMMER FIRE 41	01B5-A04E	36.39.01.2			
32	00.02.1	HAMMER RESPONSE 41 & 43			01B8-MINUS 60 VOLTS RETURN		
33	00.02.1	HAMMER FIRE 43	01B5-A04F	36.39.01.2			
34	00.02.1	HAMMER FIRE 45	01B5-A04G	36.39.01.2			
35	00.02.1	HAMMER RESPONSE 45 & 47			01B8-MINUS 60 VOLTS RETURN		
36	00.02.1	HAMMER FIRE 47	01B5-A04H	36.39.01.2			
37	00.02.1	HAMMER FIRE 49	01B5-A04J	36.39.01.2			
38	00.02.1	HAMMER RESPONSE 49 & 51			01B8-MINUS 60 VOLTS RETURN		
39	00.02.1	HAMMER FIRE 51	01B5-A04K	36.39.11.2			
40	00.02.1	HAMMER FIRE 53	01B5-A04L	36.39.11.2			
41	00.02.1	HAMMER RESPONSE 53 & 55			01B8-MINUS 60 VOLTS RETURN		
42	00.02.1	HAMMER FIRE 55	01B5-A04M	36.39.11.2			
43	00.02.1	HAMMER FIRE 57	01B5-A04N	36.39.11.2			
44	00.02.1	HAMMER RESPONSE 57 & 59			01B8-MINUS 60 VOLTS RETURN		
45	00.02.1	HAMMER FIRE 59	01B5-A04P	36.39.11.2			
46	00.02.1	HAMMER FIRE 61	01B5-A04Q	36.39.21.1			
47	00.02.1	HAMMER RESPONSE 61 & 63			01B8-MINUS 60 VOLTS RETURN		
48	00.02.1	HAMMER FIRE 63	01B5-A04R	36.39.21.1			
49	00.02.1	HAMMER FIRE 65	01B5-A05A	36.39.21.1			
50	00.02.1	HAMMER RESPONSE 65 & 67			01B8-MINUS 60 VOLTS RETURN		
51	00.02.1	HAMMER FIRE 67	01B5-A05B	36.39.21.1			
52	00.02.1	HAMMER FIRE 69	01B5-A05C	36.39.21.1			
53	00.02.1	HAMMER RESPONSE 69 & 71			01B8-MINUS 60 VOLTS RETURN		
54	00.02.1	HAMMER FIRE 71	01B5-A05D	36.39.31.2			
55	00.02.1	HAMMER FIRE 73	01B5-A05E	36.39.31.2			
56	00.02.1	HAMMER RESPONSE 73 & 75			01B8-MINUS 60 VOLTS RETURN		
57	00.02.1	HAMMER FIRE 75	01B5-A05F	36.39.31.2			
58	00.02.1	HAMMER FIRE 77	01B5-A05G	36.39.31.2			
59	00.02.1	HAMMER RESPONSE 77 & 79			01B8-MINUS 60 VOLTS RETURN		
60	00.02.1	HAMMER FIRE 79	01B5-A05H	36.39.31.2			
61	00.02.1	HAMMER FIRE 81	01B5-A05J	36.39.41.2			
62	00.02.1	HAMMER RESPONSE 81 & 83			01B8-MINUS 60 VOLTS RETURN		
63	00.02.1	HAMMER FIRE 83	01B5-A05K	36.39.41.2			
64	00.02.1	HAMMER FIRE 85	01B5-A05L	36.39.41.2			
65	00.02.1	HAMMER RESPONSE 85 & 87			01B8-MINUS 60 VOLTS RETURN		
66	00.02.1	HAMMER FIRE 87	01B5-A05M	36.39.41.2			
67	00.02.1	HAMMER FIRE 89	01B5-A05N	36.39.41.2			
68	00.02.1	HAMMER RESPONSE 89 & 91			01B8-MINUS 60 VOLTS RETURN		
69	00.02.1	HAMMER FIRE 91	01B5-A05P	36.39.51.2			
70	00.02.1	HAMMER FIRE 93	01B5-A05Q	36.39.51.2			
71	00.02.1	HAMMER RESPONSE 93 & 95			01B8-MINUS 60 VOLTS RETURN		
72	00.02.1	HAMMER FIRE 95	01B5-A05R	36.39.51.2			
73	00.02.1	HAMMER FIRE 97	01B5-A06A	36.39.51.2			
74	00.02.1	HAMMER RESPONSE 97 & 99			01B8-MINUS 60 VOLTS RETURN		
75	00.02.1	HAMMER FIRE 99	01B5-A06B	36.39.51.2			
76	00.02.1	HAMMER FIRE 101	01B5-A06C	36.39.61.2			
77	00.02.1	HAMMER RESPONSE 101 & 103			01B8-MINUS 60 VOLTS RETURN		
78	00.02.1	HAMMER FIRE 103	01B5-A06D	36.39.61.2			
79	00.02.1	HAMMER FIRE 105	01B5-A06E	36.39.61.2			
80	00.02.1	HAMMER RESPONSE 105 & 107			01B8-MINUS 60 VOLTS RETURN		
81	00.02.1	HAMMER FIRE 107	01B5-A06F	36.39.61.2			
82	00.02.1	HAMMER FIRE 109	01B5-A06G	36.39.61.2			
83	00.02.1	HAMMER RESPONSE 109 & 111			01B8-MINUS 60 VOLTS RETURN		
84	00.02.1	HAMMER FIRE 111	01B5-A06H	36.39.71.2			
85	00.02.1	HAMMER FIRE 113	01B5-A06J	36.39.71.2			
86	00.02.1	HAMMER RESPONSE 113 & 115			01B8-MINUS 60 VOLTS RETURN		
87	00.02.1	HAMMER FIRE 115	01B5-A06K	36.39.71.2			
88	00.02.1	HAMMER FIRE 117	01B5-A06L	36.39.71.2			
89	00.02.1	HAMMER RESPONSE 117 & 119			01B8-MINUS 60 VOLTS RETURN		
90	00.02.1	HAMMER FIRE 119	01B5-A06M	36.39.71.2			
91	00.02.1	HAMMER FIRE 121	01B5-A06N	36.39.81.2			
92	00.02.1	HAMMER RESPONSE 121 & 123			01B8-MINUS 60 VOLTS RETURN		
93	00.02.1	HAMMER FIRE 123	01B5-A06P	36.39.81.2			
94	00.02.1	HAMMER FIRE 125	01B5-A06Q	36.39.81.2			
95	00.02.1	HAMMER RESPONSE 125 & 127			01B8-MINUS 60 VOLTS RETURN		
96	00.02.1	HAMMER FIRE 127	01B5-A06R	36.39.81.2			
97	00.02.1	HAMMER FIRE 129	01B5-A07A	36.39.81.2			
98	00.02.1	HAMMER RESPONSE 129 & 131			01B8-MINUS 60 VOLTS RETURN		
99	00.02.1	HAMMER FIRE 131	01B5-A07B	36.39.91.2			
100	00.02.1	-6V RESTORE KEY	01B5-F24A	36.01.11.2			

SIGNAL AND POWER CONNECTIONS  
1401 TO 1403 OR 1404

728702

	DATE	EC NO	DATE	EC NO	DATE	EC NO
A		113530				
B	3-19-62	114231				
C	10-8-62	114166				
D	9-17-63	118575B				

728702

1403 OR 1404 SUMMARY CONNECTOR #1

01A2

21.04.11.2

SHEET 2 OF 6 SHEETS  
REFERENCE DRAWING

TAG DATE

G-2.63  
TA 1864A

D-12.11.63  
TA 604A

PIN NO	1403 OR 1404 DIAGRAM	SIGNAL NAME	1401 EDGE CONNECTOR	1401 DIAGRAM VIA POINTS IN 1401		1402 POWER CONNECTOR 1402 DIAGRAM	
101	00.02.1	+U NOT PR SCAN COMP	01A6-F24B	36.31.51.2			
102	00.02.1	-U PROCESS R 1403-1404	01A6-F24C	36.31.51.2			
103	00.02.1	SPARE	01A6-F24D				
104	00.02.1	SPARE	01A6-F24E				
105	00.02.1	SPARE					
106	00.02.1	SPARE					
107	00.02.1	SPARE					
108	00.02.1	SPARE					
109	00.02.1	-20V DC					
110	00.02.1	-T CHAIN INLK	01A6-A26K	38.11.61.1	01B8-TB2-14		
110	00.02.1	-T CHAIN INLK		36.31.01.2			
110	00.02.1	-T CHAIN INLK		38.11.61.1	01B8-TB2-3	PWC-6	21.00.11.1
111	00.02.1	SHIELD GND					
111	00.02.1	SHIELD GND					
111	00.02.1	SHIELD GND					
112	00.02.1	SHIELD GND					
113	00.02.1	SPARE					
114	00.02.1	SPARE					
115	00.02.1	+U LOW SPEED START IND	01B1-F01H	36.48.31.2			
116	00.02.1	+U HIGH SPEED START IND	01B1-F01H	36.48.31.2			
117	00.02.1	+T FORMS CHK OR CORR STOP	01B1-F01P	36.48.21.2			
118	00.02.1	+U LOW SPEED STOP IND	01B1-F01F	36.48.31.2			
119	00.02.1	+U HIGH SPEED STOP IND	01B1-F01G	36.48.31.2			
120	00.02.1	-T START RELAY CTRL	01A6-A26F	36.37.31.2			
121	00.02.1	-12 VOLTS DC		38.11.51.1	01A8-P.U. LAMINAR BUS		
122	00.02.1	SPARE	01A6-F24H				
123	00.02.1	SPARE	01A6-F24H				
124	00.02.1	DC GROUND RETURN					
125	00.02.1	-T NUMERIC CHAIN	01A6-F24P	38.11.61.1	01B8-GND BUS		
126	00.02.1	SPARE	01B1-F01J	36.31.01.2			
127	00.02.1	-T CARRIAGE INLK	01B1-F01E	36.48.21.2	36.48.31.2		
128	00.02.1	SPARE					
129	00.02.1	SPARE					
130	00.02.1	+U PRINT READY IND	01A6-A26L	36.37.11.2			
131	00.02.1	SPARE	01A6-F24J				
132	00.02.1	PRINT CONN INLK 1		38.11.21.1	01B8-TB2-9	PWD-12	11.01.11.1
133	00.02.1	CHAIN MOTOR RELAY		38.11.21.1	01B8-TB2-2	PWC-2	21.00.11.1
134	00.02.1	+U END OF FORMS	01A6-A26M	36.35.21.2	PWR OFF SW #2 N/C 01B8-TB2-6		
135	00.02.1	SPARE					
136	00.02.1	-T START RELAY	01A6-A26E	36.37.31.2			
137	00.02.1	+U RESTORE KEY	01B1-F01A	36.47.11.2			
138	00.02.1	-T RESTORE KEY	01B1-F01B	36.47.11.2			
139	00.02.1	+6 VOLTS DC		38.11.51.1	01A8-P.U. LAMINAR BUS		
140	00.02.1	-6 VOLTS DC		38.11.51.1	01A8-P.U. LAMINAR BUS		
141	00.02.1	-T SENSE AMP 1	01A6-A26A	36.31.01.2			
142	00.02.1	-T SENSE AMP 2	01A6-A26B	36.31.01.2			
143	00.02.1	+12 VOLTS DC		38.11.51.1	01A8-P.U. LAMINAR BUS		
144	00.02.1	+T CHECK RESET PR	01A6-A26N	36.37.31.2			
145	00.02.1	-U MAG EMITTER	01A6-F24F	36.01.11.2			
146	00.02.1	+U MAG EMITTER REF LINE	01A6-F24G	36.01.11.2			
147	00.02.1	+6 VOLTS DC		38.11.51.1			
148	00.02.1	-6 VOLTS DC		38.11.51.1			
149	00.02.1	-T PR STOP KEY	01A6-A26H	36.37.31.2			
150	00.02.1	+U PRINT CHECK IND	01A6-A26D	36.37.21.2			
151	00.02.1	-T SINGLE CYCLE PRINT	01A6-A26R	36.35.21.2			
152	00.02.1	+U SINGLE CYCLE PRINT	01A6-A26P	36.35.21.2			
153	00.02.1	+U PR START KEY	01A6-A26G	36.31.91.2			
154	00.02.1	+U NOT PR START KEY	01A6-A26J	36.37.31.2			
155	00.02.1	+6 VOLTS DC		38.11.51.1			
156	00.02.1	+U SPACE KEY	01B1-F01C	36.47.11.2			
157	00.02.1	-T SPACE KEY	01B1-F01D	36.47.11.2			
158	00.02.1	SPARE					
159	00.02.1	+U END OF FORMS IND	01A6-A26Q	36.35.21.2			
160	00.02.1	+U SYNC CHECK IND	01A6-A26C	36.37.11.2			

SIGNAL AND POWER CONNECTIONS  
1401 TO 1403 OR 1404

	DATE	EC NO	DATE	EC NO	DATE	EC NO
A		113530				
B	3-19-62	114231				
C	10-8-62	114166				
D	9-17-63	118575B				

728702



PIN NO	1403 OR 1404 DIAGRAM	SIGNAL NAME	1401 EDGE CONNECTOR	1401 DIAGRAM	VIA POINTS IN 1401	1402 POWER CONNECTOR	1402 DIAGRAM
1	00.02.2	HAMMER FIRE 2	0185-A08A	36.38.61.2			
2	00.02.2	HAMMER RESPONSE 2 & 4					
3	00.02.2	HAMMER FIRE 4	0185-A08B	36.38.61.2	0188-MINUS 60 VOLTS RETURN		
4	00.02.2	HAMMER FIRE 6	0185-A08C	36.38.61.2			
5	00.02.2	HAMMER RESPONSE 6 & 8					
6	00.02.2	HAMMER FIRE 8	0185-A08D	36.38.61.2	0188-MINUS 60 VOLTS RETURN		
7	00.02.2	HAMMER FIRE 10	0185-A08E	36.38.71.2			
8	00.02.2	HAMMER RESPONSE 10 & 12					
9	00.02.2	HAMMER FIRE 12	0185-A08F	36.38.71.2	0188-MINUS 60 VOLTS RETURN		
10	00.02.2	HAMMER FIRE 14	0185-A08G	36.38.71.2			
11	00.02.2	HAMMER RESPONSE 14 & 16					
12	00.02.2	HAMMER FIRE 16	0185-A08H	36.38.71.2	0188-MINUS 60 VOLTS RETURN		
13	00.02.2	HAMMER FIRE 18	0185-A08J	36.38.71.2			
14	00.02.2	HAMMER RESPONSE 18 & 20					
15	00.02.2	HAMMER FIRE 20	0185-A08K	36.38.81.2	0188-MINUS 60 VOLTS RETURN		
16	00.02.2	HAMMER FIRE 22	0185-A08L	36.38.81.2			
17	00.02.2	HAMMER RESPONSE 22 & 24					
18	00.02.2	HAMMER FIRE 24	0185-A08M	36.38.81.2	0188-MINUS 60 VOLTS RETURN		
19	00.02.2	HAMMER FIRE 26	0185-A08N	36.38.81.2			
20	00.02.2	HAMMER RESPONSE 26 & 28					
21	00.02.2	HAMMER FIRE 28	0185-A08P	36.38.81.2	0188-MINUS 60 VOLTS RETURN		
22	00.02.2	HAMMER FIRE 30	0185-A08Q	36.38.91.2			
23	00.02.2	HAMMER RESPONSE 30 & 32					
24	00.02.2	HAMMER FIRE 32	0185-A08R	36.38.91.2	0188-MINUS 60 VOLTS RETURN		
25	00.02.2	HAMMER FIRE 34	0185-A09A	36.38.91.2			
26	00.02.2	HAMMER RESPONSE 34 & 36					
27	00.02.2	HAMMER FIRE 36	0185-A09B	36.38.91.2	0188-MINUS 60 VOLTS RETURN		
28	00.02.2	HAMMER FIRE 38	0185-A09C	36.38.91.2			
29	00.02.2	HAMMER RESPONSE 38 & 40					
30	00.02.2	HAMMER FIRE 40	0185-A09D	36.39.01.2	0188-MINUS 60 VOLTS RETURN		
31	00.02.2	HAMMER FIRE 42	0185-A09E	36.39.01.2			
32	00.02.2	HAMMER RESPONSE 42 & 44					
33	00.02.2	HAMMER FIRE 44	0185-A09F	36.39.01.2	0188-MINUS 60 VOLTS RETURN		
34	00.02.2	HAMMER FIRE 46	0185-A09G	36.39.01.2			
35	00.02.2	HAMMER RESPONSE 46 & 48					
36	00.02.2	HAMMER FIRE 48	0185-A09H	36.39.01.2	0188-MINUS 60 VOLTS RETURN		
37	00.02.2	HAMMER FIRE 50	0185-A09J	36.09.11.2			
38	00.02.2	HAMMER RESPONSE 50 & 52					
39	00.02.2	HAMMER FIRE 52	0185-A09K	36.09.11.2	0188-MINUS 60 VOLTS RETURN		
40	00.02.2	HAMMER FIRE 54	0185-A09L	36.09.11.2			
41	00.02.2	HAMMER RESPONSE 54 & 56					
42	00.02.2	HAMMER FIRE 56	0185-A09M	36.09.11.2	0188-MINUS 60 VOLTS RETURN		
43	00.02.2	HAMMER FIRE 58	0185-A09N	36.09.11.2			
44	00.02.2	HAMMER RESPONSE 58 & 60					
45	00.02.2	HAMMER FIRE 60	0185-A09P	36.39.21.2	0188-MINUS 60 VOLTS RETURN		
46	00.02.2	HAMMER FIRE 62	0185-A09Q	36.39.21.2			
47	00.02.2	HAMMER RESPONSE 62 & 64					
48	00.02.2	HAMMER FIRE 64	0185-A09R	36.39.21.2	0188-MINUS 60 VOLTS RETURN		
49	00.02.2	HAMMER FIRE 66	0185-A10A	36.39.21.2			
50	00.02.2	HAMMER RESPONSE 66 & 68					
51	00.02.2	HAMMER FIRE 68	0185-A10B	36.39.21.2	0188-MINUS 60 VOLTS RETURN		
52	00.02.2	HAMMER FIRE 70	0185-A10C	36.39.31.2			
53	00.02.2	HAMMER RESPONSE 70 & 72					
54	00.02.2	HAMMER FIRE 72	0185-A10D	36.39.31.2	0188-MINUS 60 VOLTS RETURN		
55	00.02.2	HAMMER FIRE 74	0185-A10E	36.39.31.2			
56	00.02.2	HAMMER RESPONSE 74 & 76					
57	00.02.2	HAMMER FIRE 76	0185-A10F	36.39.31.2	0188-MINUS 60 VOLTS RETURN		
58	00.02.2	HAMMER FIRE 78	0185-A10G	36.39.31.2			
59	00.02.2	HAMMER RESPONSE 78 & 80					
60	00.02.2	HAMMER FIRE 80	0185-A10H	36.39.41.2	0188-MINUS 60 VOLTS RETURN		
61	00.02.2	HAMMER FIRE 82	0185-A10J	36.39.41.2			
62	00.02.2	HAMMER RESPONSE 82 & 84					
63	00.02.2	HAMMER FIRE 84	0185-A10K	36.39.41.2	0188-MINUS 60 VOLTS RETURN		
64	00.02.2	HAMMER FIRE 86	0185-A10L	36.39.41.2			
65	00.02.2	HAMMER RESPONSE 86 & 88					
66	00.02.2	HAMMER FIRE 88	0185-A10M	36.39.41.2	0188-MINUS 60 VOLTS RETURN		
67	00.02.2	HAMMER FIRE 90	0185-A10N	36.39.51.2			
68	00.02.2	HAMMER RESPONSE 90 & 92					
69	00.02.2	HAMMER FIRE 92	0185-A10P	36.39.51.2	0188-MINUS 60 VOLTS RETURN		
70	00.02.2	HAMMER FIRE 94	0185-A10Q	36.39.51.2			
71	00.02.2	HAMMER RESPONSE 94 & 96					
72	00.02.2	HAMMER FIRE 96	0185-A10R	36.39.51.2	0188-MINUS 60 VOLTS RETURN		
73	00.02.2	HAMMER FIRE 98	0185-A11A	36.39.51.2			
74	00.02.2	HAMMER RESPONSE 98 & 100					
75	00.02.2	HAMMER FIRE 100	0185-A11B	36.39.61.2	0188-MINUS 60 VOLTS RETURN		
76	00.02.2	HAMMER FIRE 102	0185-A11C	36.39.61.2			
77	00.02.2	HAMMER RESPONSE 102 & 104					
78	00.02.2	HAMMER FIRE 104	0185-A11D	36.39.61.2	0188-MINUS 60 VOLTS RETURN		
79	00.02.2	HAMMER FIRE 106	0185-A11E	36.39.61.2			
80	00.02.2	HAMMER RESPONSE 106 & 108					
81	00.02.2	HAMMER FIRE 108	0185-A11F	36.39.61.2	0188-MINUS 60 VOLTS RETURN		
82	00.02.2	HAMMER FIRE 110	0185-A11G	36.39.71.2			
83	00.02.2	HAMMER RESPONSE 110 & 112					
84	00.02.2	HAMMER FIRE 112	0185-A11H	36.39.71.2	0188-MINUS 60 VOLTS RETURN		
85	00.02.2	HAMMER FIRE 114	0185-A11J	36.39.71.2			
86	00.02.2	HAMMER RESPONSE 114 & 116					
87	00.02.2	HAMMER FIRE 116	0185-A11K	36.39.71.2	0188-MINUS 60 VOLTS RETURN		
88	00.02.2	HAMMER FIRE 118	0185-A11L	36.39.71.2			
89	00.02.2	HAMMER RESPONSE 118 & 120					
90	00.02.2	HAMMER FIRE 120	0185-A11M	36.39.81.2	0188-MINUS 60 VOLTS RETURN		
91	00.02.2	HAMMER FIRE 122	0185-A11N	36.39.81.2			
92	00.02.2	HAMMER RESPONSE 122 & 124					
93	00.02.2	HAMMER FIRE 124	0185-A11P	36.39.81.2	0188-MINUS 60 VOLTS RETURN		
94	00.02.2	HAMMER FIRE 126	0185-A11Q	36.39.81.2			
95	00.02.2	HAMMER RESPONSE 126 & 128					
96	00.02.2	HAMMER FIRE 128	0185-A11R	36.39.81.2	0188-MINUS 60 VOLTS RETURN		
97	00.02.2	HAMMER FIRE 130	0185-A12A	36.39.91.2			
98	00.02.2	HAMMER RESPONSE 130 & 132					
99	00.02.2	HAMMER FIRE 132	0185-A12B	36.39.91.2	0188-MINUS 60 VOLTS RETURN		
100	00.02.2	**T STL MODE	Q288-C02A	74.80.20.2			

\*\*THIS WIRE CONNECTED TO EDGE CONNECTOR Q288-C02 ONLY IF THE SELECTOR TAPE LISTER ATTACHMENT IS USED ON THE 1403.

SIGNAL AND POWER CONNECTIONS  
1401 TO 1403 OR 1404

	DATE	EC NO	DATE	EC NO	DATE	EC NO
A		113530				
B	3-19-62	114231				
C	10-8-62	114166				
D	9-17-63	118575B				

728702

728702  
SHEET 4 OF 6 SHEETS  
REFERENCE DRAWING

1403 OR 1404 SUMMARY CONNECTOR #2

DIA2

22.04.11.2

TAG DATE  
C 2.83  
TA 1864A  
D 12.11.63  
TA 604A

PIN NO	1403 OR 1404 DIAGRAM	SIGNAL NAME	1401 EDGE CONNECTOR	1401 DIAGRAM	VIA POINTS IN 1401	1402 POWER CONNECTOR	1402 DIAGRAM
101	00.02.2	**+U TAPE 1 DR	0288-C02C	74.80.30.2			
102	00.02.2	**+U TAPE 2 DR	0288-C02D	74.80.30.2			
103	00.02.2	**+U TAPE 3 DR	0288-C02E	74.80.30.2			
104	00.02.2	**+U TAPE 4 DR	0288-C02F	74.80.30.2			
105	00.02.2	**+U TAPE 5 DR	0288-C02G	74.80.31.2			
106	00.02.2	**+U TAPE 6 DR	0288-C02H	74.80.31.2			
107	00.02.2	**+U TAPE 7 DR	0288-C02J	74.80.31.2			
108	00.02.2	**+U TAPE 8 DR	0288-C02K	74.80.31.2			
109	00.02.2	**SPARE	0288-C02B				
110	00.02.2	**SPARE	0288-C02L				
111	00.02.2	SHIELD GND		38.11.61.1	0188-FRAME GROUND		
112	00.02.2	SHIELD GND		38.11.61.1	0188-FRAME GROUND		
113	00.02.2	*+U SAMPLE 350-28 DEG	0288-C01F	74.60.11.2			
114	00.02.2	*+U SK 1 CF	0288-C01E	74.60.11.2			
115	00.02.2	*+U CF EJECT	0288-C01N	74.60.11.2			
116	00.02.2	*-T NOT START RESET	0288-C01D	74.60.01.2			
117	00.02.2	*+U LOGIC RUN CARRIAGE	0288-C01G	74.60.11.2			
118	00.02.2	*+U P.S. 42	0288-C01C	74.60.01.2			
119	00.02.2	*-T CF SIDE	0288-C01B	74.60.01.2			
120	00.02.2	*-T FORMS SIDE	0288-C01A	74.60.01.2			
121	00.02.2	SPARE					
122	00.02.2	*-T NON PROCESS	0288-C01M	74.60.01.2			
123	00.02.2	*+U NOT INLK STOP REF LINE	0288-C01L	74.60.01.2			
124	00.02.2	*+U NOT INLK STOP	0288-C01K	74.60.01.2			
125	00.02.2	PRINT CONN INLK 2		38.11.21.1	0188-TB2-10	PWD-13	11.01.11.1
126	00.02.2	-60 VOLTS CONTROLLED		38.11.61.1	0188-MINUS 60 VOLTS BUS BAR		
127	00.02.2	*+U RUN START	0288-C01H	74.60.01.2			
128	00.02.2	SPARE					
129	00.02.2	SPARE					
130	00.02.2	-T SLOW BR 1	01A5-A25A	46.51.11.2			
131	00.02.2	-T SLOW BR 2	01A5-A25B	46.51.11.2			
132	00.02.2	-T SLOW BR 3	01A5-A25C	46.51.11.2			
133	00.02.2	-T SLOW BR 4	01A5-A25D	46.51.11.2			
134	00.02.2	-T SLOW BR 5	01A5-A25E	46.51.11.2			
135	00.02.2	-T SLOW BR 6	01A5-A25F	46.51.11.2			
136	00.02.2	-T SLOW BR 7	01A5-A25G	46.51.11.2			
137	00.02.2	-T SLOW BR 8	01A5-A25H	46.51.11.2			
138	00.02.2	-T SLOW BR 9	01A5-A25J	46.51.11.2			
139	00.02.2	-T SLOW BR 10	01A5-A25K	46.51.11.2			
140	00.02.2	-T SLOW BR 11	01A5-A25L	46.51.11.2			
141	00.02.2	-T SLOW BR 12	01A5-A25M	46.51.11.2			
142	00.02.2	-T STOP BRUSH 1	01B1-E01C	36.41.11.2			
143	00.02.2	-T STOP BRUSH 2	01B1-E01D	36.41.11.2			
144	00.02.2	-T STOP BRUSH 3	01B1-E01E	36.41.11.2			
145	00.02.2	-T STOP BRUSH 4	01B1-E01F	36.41.11.2			
146	00.02.2	-T STOP BRUSH 5	01B1-E01G	36.41.11.2			
147	00.02.2	-T STOP BRUSH 6	01B1-E01H	36.41.11.2			
148	00.02.2	-T STOP BRUSH 7	01B1-E01J	36.41.21.2			
149	00.02.2	-T STOP BRUSH 8	01B1-E01K	36.41.21.2			
150	00.02.2	-T STOP BRUSH 9	01B1-E01L	36.41.21.2			
151	00.02.2	-T STOP BRUSH 10	01B1-E01M	36.41.21.2			
152	00.02.2	-T STOP BRUSH 11	01B1-E01N	36.41.21.2			
153	00.02.2	-T STOP BRUSH 12	01B1-E01P	36.41.21.2			
154	00.02.2	*SPARE	0288-C01P				
155	00.02.2	+U LOW SPEED START	01B1-E01Q	36.48.31.2			
156	00.02.2	+U LOW SPEED STOP	01B1-E01R	36.48.31.2			
157	00.02.2	LOW SPEED STOP RELAY INLK		38.11.61.1	0188-TB2-4	PWC-8	21.00.11.1
158	00.02.2	+U HIGH SPEED START	01A5-A25N	46.51.41.2			
159	00.02.2	+U HIGH SPEED STOP	01A5-A25P	46.51.41.2			
160	00.02.2	HIGH SPEED STOP RELAY INLK		38.11.61.1	0188-TB2-11	PWD-14	21.00.11.1
161	00.02.2	-T EMITTER	01B1-E01A	36.41.11.2			
162	00.02.2	+U FORMS CHECK 1ND	01B1-E01B	36.48.21.2			

\*THESE WIRES CONNECTED TO EDGE CONNECTOR 0288 C01 ONLY IF A 1404 IS USED WITH THE SYSTEM.  
\*\*THESE WIRES CONNECTED TO EDGE CONNECTOR 0288 C02 ONLY IF THE SELECTIVE TAPE ATTACHMENT IS USED ON THE 1403.

SIGNAL AND POWER CONNECTIONS  
1401 TO 1403 OR 1404

	DATE	EC NO	DATE	EC NO	DATE	EC NO
A		113530	9-17-63	118575B		
B	3-19-62	114231				
C	10-8-62	114166				

728702

PIN NO	1403 DIAGRAM	SYSTEM PAGE	SIGNAL NAME	VIA POINTS IN 1403	1402 POWER CONNECTOR	1402 DIAGRAM
1	00.03.1	01.05.01.1	115V AC COMMON	0188-TB3-12	PMB-15	21.00.11.1
2	00.03.1	01.05.01.1	115V AC CONV OUTLETS	0188-TB3-7	PMB-15	21.00.11.1
3	00.03.1	01.05.01.1	BOND			
4	00.03.1	01.05.01.1	-60 VOLTS	0188-TB3-12	PMB-15	21.00.11.1
5	00.03.1	00.02.09.1	133V AC BULK	0188-TB3-12		
6	00.03.1	01.09.01.1	PROC BLOWER MOTORS	0188-TB3-12	PMB-17	21.00.11.1 (GENERIC PRINTER)
7	00.03.1		SPARE			
8	00.03.1	01.09.01.1	208V-02-CHAIN & RIBBON MOTOR	0188-TB3-4	PMB-6	21.00.11.1
9	00.03.1	01.09.01.1	208V-03-CHAIN & RIBBON MOTOR	0188-TB3-5	PMB-7	21.00.11.1
10	00.03.1	00.02.09.1	133V AC BULK	0188-TB3-17		
11	00.03.1	01.09.01.1	208V-01	0188-TB3-6	PMB-13	21.00.11.1
12	00.03.1	01.09.01.1	208V-02-CARRIAGE MOTOR	0188-TB3-2	PMB-4	21.00.11.1
13	00.03.1	01.09.01.1	208V-03-CARRIAGE MOTOR	0188-TB3-3	PMB-5	21.00.11.1

1404 POWER PLUG - PP2

PIN NO	1404 DIAGRAM	SYSTEM PAGE	SIGNAL NAME	VIA POINTS IN 1401	1402 POWER CONNECTOR	1402 DIAGRAM
1	00.03.1		SPARE			
2	00.03.1		SPARE			
3	00.03.1		BOND			
4	00.03.1		SPARE			
5	00.03.1		SPARE			
6	00.03.1		SPARE			
7	00.03.1		SPARE			
8	00.03.1		SPARE			
9	00.03.1		SPARE			
10	00.03.1		SPARE			
11	00.03.1		SPARE			
12	00.03.1		SPARE			
13	00.03.1		SPARE			
14	00.03.1		SPARE			
15	00.03.1		SPARE			
16	00.03.1	02.09.1	+6V DC	02A3 - +6V SUPPLY		
17	00.03.1	02.09.1	+6V DC	02A3 - +6V SUPPLY		
18	00.03.1	02.09.1	-6V DC	02A6 - -6V SUPPLY		
19	00.03.1	02.09.1	-6V DC	02A6 - -6V SUPPLY		
20	00.03.1	02.09.1	-12V DC	02A6 - -12V SUPPLY		
21	00.03.1	02.09.1	-12V DC	02A6 - -12V SUPPLY		
22	00.03.1	02.09.1	+6V	02A4 - TB9-3		
23	00.03.1	02.09.1	-12V	02A4 - TB9-5		
24	00.03.1	02.09.1	DC COMMON	0188 - DC COMMON BUS		
25	00.03.1	02.09.1	DC COMMON	0188 - DC COMMON BUS		
26	00.03.1		SPARE			

SIGNAL AND POWER CONNECTIONS  
1401 TO 1403 OR 1404

	DATE	EC NO	DATE	EC NO	DATE	EC NO
A		113530	9-17-63	118575B		
B	3-19-62	114231				
C	10-8-62	114166				

728702

A	PIN NUMBER	1404 DIAGRAM	SIGNAL NAME	1401 EDGE CONNECTOR	1401 DIAGRAM	A
	01	00.02.04.1	READ POSITION NUMBER 1	01A1-G26A	42.40.54.1	
	02	00.02.04.1	READ POSITION NUMBER 2	01A1-G26B	42.40.54.1	
	03	00.02.04.1	READ POSITION NUMBER 3	01A1-G26C	42.40.54.1	
	04	00.02.04.1	READ POSITION NUMBER 4	01A1-G26D	42.40.54.1	
	05	00.02.04.1	READ POSITION NUMBER 5	01A1-G26E	42.40.54.1	
	07	00.02.04.1	READ POSITION NUMBER 6	01A1-G26F	42.40.54.1	
	08	00.02.04.1	READ POSITION NUMBER 7	01A1-G26G	42.40.54.1	
	10	00.02.04.1	READ POSITION NUMBER 8	01A1-G26H	42.40.54.1	
	11	00.02.04.1	READ POSITION NUMBER 9	01A1-G26J	42.40.54.1	
	12	00.02.04.1	READ POSITION NUMBER 10	01A1-G26K	42.40.54.1	
B	13	00.02.04.1	READ POSITION NUMBER 11	01A1-G26L	42.40.54.1	B
	14	00.02.04.1	READ POSITION NUMBER 12	01A1-G26M	42.40.54.1	
	15	00.02.04.1	READ POSITION NUMBER 13	01A1-G26N	42.40.54.1	
	16	00.02.04.1	READ POSITION NUMBER 14	01A1-G26P	42.40.54.1	
	17	00.02.04.1	READ POSITION NUMBER 15	01A1-G26Q	42.40.54.1	
	18	00.02.04.1	READ POSITION NUMBER 16	01A1-G26R	42.40.54.1	
	20	00.02.04.1	READ POSITION NUMBER 17	01A1-G16A	42.40.54.1	
	21	00.02.04.1	READ POSITION NUMBER 18	01A1-G16B	42.40.54.1	
	22	00.02.04.1	READ POSITION NUMBER 19	01A1-G16C	42.40.54.1	
	23	00.02.04.1	READ POSITION NUMBER 20	01A1-G16D	42.40.54.1	
	24	00.02.04.1	READ POSITION NUMBER 21	01A1-G16E	42.40.54.1	
	25	00.02.04.1	READ POSITION NUMBER 22	01A1-G16F	42.40.54.1	
	26	00.02.04.1	READ POSITION NUMBER 23	01A1-G16G	42.40.54.1	
C	27	00.02.04.1	READ POSITION NUMBER 24	01A1-G16H	42.40.54.1	C
	28	00.02.04.1	READ POSITION NUMBER 25	01A1-G16J	42.40.54.1	
	29	00.02.04.1	READ POSITION NUMBER 26	01A1-G16K	42.40.54.1	
	30	00.02.04.1	READ POSITION NUMBER 27	01A1-G16L	42.40.54.1	
	31	00.02.04.1	READ POSITION NUMBER 28	01A1-G16M	42.40.54.1	
	32	00.02.04.1	READ POSITION NUMBER 29	01A1-G16N	42.40.54.1	
	33	00.02.04.1	READ POSITION NUMBER 30	01A1-G16P	42.40.54.1	
	34	00.02.04.1	-T INVALID	02B8-D01A	74.61.01.2	
	35	00.02.04.1	-T READ OPR	02B8-D01B	74.61.01.2	
	36	00.02.04.1	-T CF IMPULSE SC	02B8-D01C	74.61.11.2	
	37	00.02.04.1	+U NOT SC TRACK 3	02B8-D01D	74.61.11.2	
	38	00.02.04.1	+U 12 EDGE CF	02B8-D01E	74.61.01.2	
D	39		SPARE	02B8-D01F		D
	40		SPARE	02B8-D01G		
	41		SPARE	02B8-D01H		
	42		SPARE	02B8-D01J		
	43		SPARE	02B8-D01K		
	44		SPARE	02B8-D01L		
	45		SPARE	02B8-D01M		
	46		SPARE	02B8-D01N		
	47		SPARE	02B8-D01P		
	48		SPARE	02B8-D01Q		
	49		SPARE	02B8-D01R		
	50-55		SPARE WIRES			
	56-82		NO WIRES			

SIGNAL AND POWER CONNECTIONS 1401 TO 1403 OR 1404

A	DATE	EC NO	DATE	EC NO	DATE	EC NO
A	10-8-62	114166				
B	9-17-63	1185758				

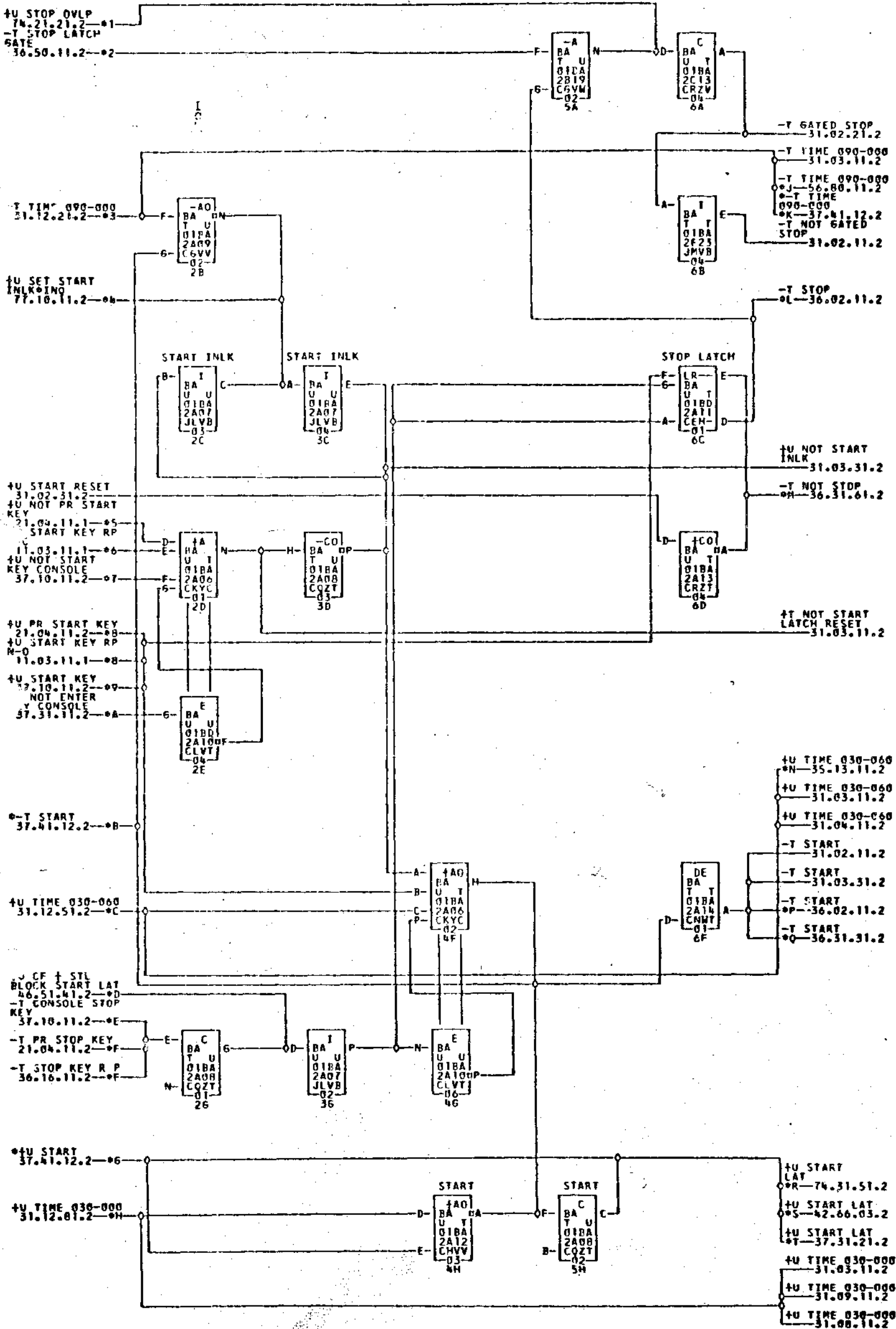
728702  
16

C 7.2.63

TA 1713A

D 5.3.63

TA 1771A



NOTE 1



- \*1-01B2A05H
- \*2-01B2A04D
- \*3-01B2A04C
- \*4-01B2A04E
- \*5-01B2D04P
- \*6-01B2D05F
- \*7-01B2A04P
- \*8-01B2A04N
- \*9-01B2A04M
- \*A-01B2A04Q
- \*B-01B2A04R
- \*C-01B2A04S
- \*D-01B2A04T
- \*E-01B2A04U
- \*F-01B2A04V
- \*G-01B2A04W
- \*H-01B2A04X
- \*I-01B2A04Y
- \*J-01B2A04Z
- \*K-01B2A05A
- \*L-01B2A05B
- \*M-01B2A05C
- \*N-01B2A05D
- \*O-01B2A05E
- \*P-01B2A05F
- \*Q-01B2A05G
- \*R-01B2A05H
- \*S-01B2A05I
- \*T-01B2A05J
- \*U-01B2A05K
- \*V-01B2A05L
- \*W-01B2A05M
- \*X-01B2A05N
- \*Y-01B2A05O
- \*Z-01B2A05P

- \*1-01B2A05H
- \*2-01B2A05I
- \*3-01B2A05J
- \*4-01B2A05K
- \*5-01B2A05L
- \*6-01B2A05M
- \*7-01B2A05N
- \*8-01B2A05O
- \*9-01B2A05P
- \*A-01B2A05Q
- \*B-01B2A05R
- \*C-01B2A05S
- \*D-01B2A05T
- \*E-01B2A05U
- \*F-01B2A05V
- \*G-01B2A05W
- \*H-01B2A05X
- \*I-01B2A05Y
- \*J-01B2A05Z
- \*K-01B2A06A
- \*L-01B2A06B
- \*M-01B2A06C
- \*N-01B2A06D
- \*O-01B2A06E
- \*P-01B2A06F
- \*Q-01B2A06G
- \*R-01B2A06H
- \*S-01B2A06I
- \*T-01B2A06J
- \*U-01B2A06K
- \*V-01B2A06L
- \*W-01B2A06M
- \*X-01B2A06N
- \*Y-01B2A06O
- \*Z-01B2A06P

- \*1-01B2A05H
- \*2-01B2A05I
- \*3-01B2A05J
- \*4-01B2A05K
- \*5-01B2A05L
- \*6-01B2A05M
- \*7-01B2A05N
- \*8-01B2A05O
- \*9-01B2A05P
- \*A-01B2A05Q
- \*B-01B2A05R
- \*C-01B2A05S
- \*D-01B2A05T
- \*E-01B2A05U
- \*F-01B2A05V
- \*G-01B2A05W
- \*H-01B2A05X
- \*I-01B2A05Y
- \*J-01B2A05Z
- \*K-01B2A06A
- \*L-01B2A06B
- \*M-01B2A06C
- \*N-01B2A06D
- \*O-01B2A06E
- \*P-01B2A06F
- \*Q-01B2A06G
- \*R-01B2A06H
- \*S-01B2A06I
- \*T-01B2A06J
- \*U-01B2A06K
- \*V-01B2A06L
- \*W-01B2A06M
- \*X-01B2A06N
- \*Y-01B2A06O
- \*Z-01B2A06P

- \*1-01B2A05H
- \*2-01B2A05I
- \*3-01B2A05J
- \*4-01B2A05K
- \*5-01B2A05L
- \*6-01B2A05M
- \*7-01B2A05N
- \*8-01B2A05O
- \*9-01B2A05P
- \*A-01B2A05Q
- \*B-01B2A05R
- \*C-01B2A05S
- \*D-01B2A05T
- \*E-01B2A05U
- \*F-01B2A05V
- \*G-01B2A05W
- \*H-01B2A05X
- \*I-01B2A05Y
- \*J-01B2A05Z
- \*K-01B2A06A
- \*L-01B2A06B
- \*M-01B2A06C
- \*N-01B2A06D
- \*O-01B2A06E
- \*P-01B2A06F
- \*Q-01B2A06G
- \*R-01B2A06H
- \*S-01B2A06I
- \*T-01B2A06J
- \*U-01B2A06K
- \*V-01B2A06L
- \*W-01B2A06M
- \*X-01B2A06N
- \*Y-01B2A06O
- \*Z-01B2A06P

- \*1-01B2A05H
- \*2-01B2A05I
- \*3-01B2A05J
- \*4-01B2A05K
- \*5-01B2A05L
- \*6-01B2A05M
- \*7-01B2A05N
- \*8-01B2A05O
- \*9-01B2A05P
- \*A-01B2A05Q
- \*B-01B2A05R
- \*C-01B2A05S
- \*D-01B2A05T
- \*E-01B2A05U
- \*F-01B2A05V
- \*G-01B2A05W
- \*H-01B2A05X
- \*I-01B2A05Y
- \*J-01B2A05Z
- \*K-01B2A06A
- \*L-01B2A06B
- \*M-01B2A06C
- \*N-01B2A06D
- \*O-01B2A06E
- \*P-01B2A06F
- \*Q-01B2A06G
- \*R-01B2A06H
- \*S-01B2A06I
- \*T-01B2A06J
- \*U-01B2A06K
- \*V-01B2A06L
- \*W-01B2A06M
- \*X-01B2A06N
- \*Y-01B2A06O
- \*Z-01B2A06P

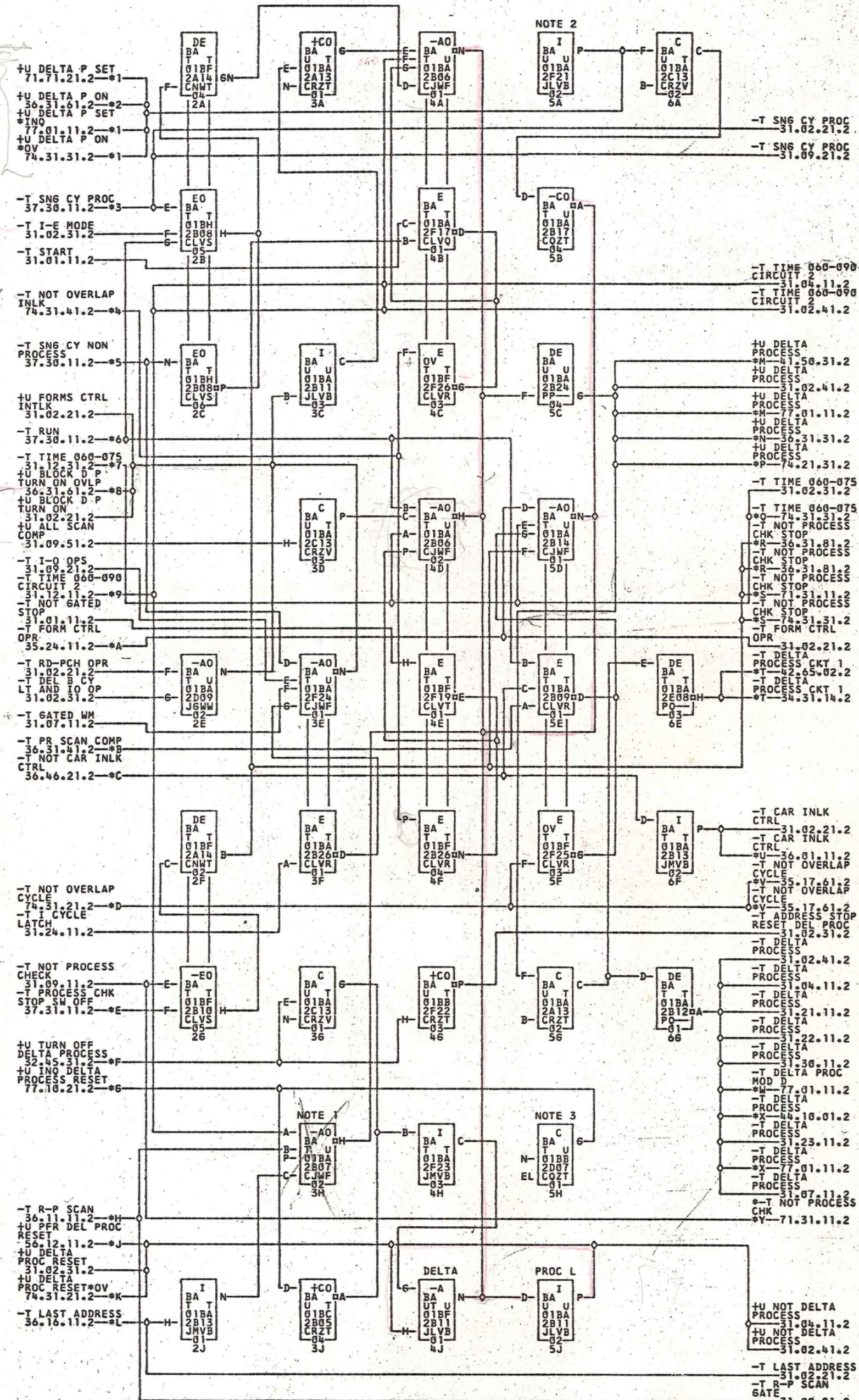
- \*1-01B2A05H
- \*2-01B2A05I
- \*3-01B2A05J
- \*4-01B2A05K
- \*5-01B2A05L
- \*6-01B2A05M
- \*7-01B2A05N
- \*8-01B2A05O
- \*9-01B2A05P
- \*A-01B2A05Q
- \*B-01B2A05R
- \*C-01B2A05S
- \*D-01B2A05T
- \*E-01B2A05U
- \*F-01B2A05V
- \*G-01B2A05W
- \*H-01B2A05X
- \*I-01B2A05Y
- \*J-01B2A05Z
- \*K-01B2A06A
- \*L-01B2A06B
- \*M-01B2A06C
- \*N-01B2A06D
- \*O-01B2A06E
- \*P-01B2A06F
- \*Q-01B2A06G
- \*R-01B2A06H
- \*S-01B2A06I
- \*T-01B2A06J
- \*U-01B2A06K
- \*V-01B2A06L
- \*W-01B2A06M
- \*X-01B2A06N
- \*Y-01B2A06O
- \*Z-01B2A06P

- \*1-01B2A05H
- \*2-01B2A05I
- \*3-01B2A05J
- \*4-01B2A05K
- \*5-01B2A05L
- \*6-01B2A05M
- \*7-01B2A05N
- \*8-01B2A05O
- \*9-01B2A05P
- \*A-01B2A05Q
- \*B-01B2A05R
- \*C-01B2A05S
- \*D-01B2A05T
- \*E-01B2A05U
- \*F-01B2A05V
- \*G-01B2A05W
- \*H-01B2A05X
- \*I-01B2A05Y
- \*J-01B2A05Z
- \*K-01B2A06A
- \*L-01B2A06B
- \*M-01B2A06C
- \*N-01B2A06D
- \*O-01B2A06E
- \*P-01B2A06F
- \*Q-01B2A06G
- \*R-01B2A06H
- \*S-01B2A06I
- \*T-01B2A06J
- \*U-01B2A06K
- \*V-01B2A06L
- \*W-01B2A06M
- \*X-01B2A06N
- \*Y-01B2A06O
- \*Z-01B2A06P

729051

NOTE 1 THIS CIRCUIT RESERVED FOR-R AND S RPO  
 NOTE 2 WHEN A SIGNAL IS PRECEDED BY AN ASTERISK, ITS EXPANSION INDICATES CABLE WIRING FOR REMOTE RECYCLE CONTROL

TAG DATE E.C.NO. TAG DATE E.C.NO. TAG DATE E.C.NO. TAG DATE E.C.NO.  
 A 12-15-61 113530 B 05-03-62 114141 C 10-23-62 114164 D 12-10-62 114178



*1-01B2C03N	*2-01B2B01C	*3-01B2F04G	*4-01B2A056	*5-01B2F04H	*6-01B2F04E
*7-01B2F01H	*8-01B2C026	*9-01B2F01M	*A-01B2A02L	*B-01B2B010	*C-01B2C02N
*D-01B2D05K	*E-01B2F04J	*F-01B2D01M	*G-01B2A03L	*H-01B2F05B	*I-01B2A04H
*J-01B2B04E	*K-01B2D05D	*L-01B2A04N	*M-01B2A05H	*N-02A0D09D	*O-02B1E01J
*P-02A8C23H	*Q-01B2B01E	*R-01A6E26E	*S-01B2A05J	*T-02A0A09C	*U-02B1E01K
*V-01B2C03P	*W-02A0E016	*X-02A1D20P	*Y-01B2A05L	*Z-01B2B01D	*AA-01A6E26D
*AB-01B2C03C	*AC-02A0C19G	*AD-02A1D20C	*AE-02B1D02F	*AF-01B2B01D	*AG-01B3E03M
*AH-06B7A10P	*AI-01B2B01A	*AJ-01A6E26A	*AK-01B2E04M	*AL-01A3D25D	*AM-01B2A016
*AN-02A0D07D	*AO-01B7D04R	*AP-01A6E26A	*AQ-01B2D04D	*AR-02B7E01M	*AS-01B2A016
*AT-01B2B10E	*AU-02A1C02C	*AV-01B2A03M	*AW-02A9F11C	*AX-02B7E01M	*AY-02A8C23L

NOTE 1 - REMOVE COMMENTS  
 NOTE 2 - USED FOR LOAD ONLY  
 NOTE 3 - USED FOR LOAD ONLY  
 SIGNALS PRECEDED BY AN ASTERISK INDICATE DIRECT CABLE EXPANSION.

TAG DATE	E.C.NO.	TAG DATE	E.C.NO.	TAG DATE	E.C.NO.	TAG DATE	E.C.NO.
A 12-15-61	115530	B 03-05-62	114127	C 04-04-62	114133	D 06-04-62	118146
E 10-23-62	114164	F 12-10-62	114178	G 01-30-63	114182	H 09-16-63	118575B

729052



0729054

PROCESS CONTROL SECTION 3

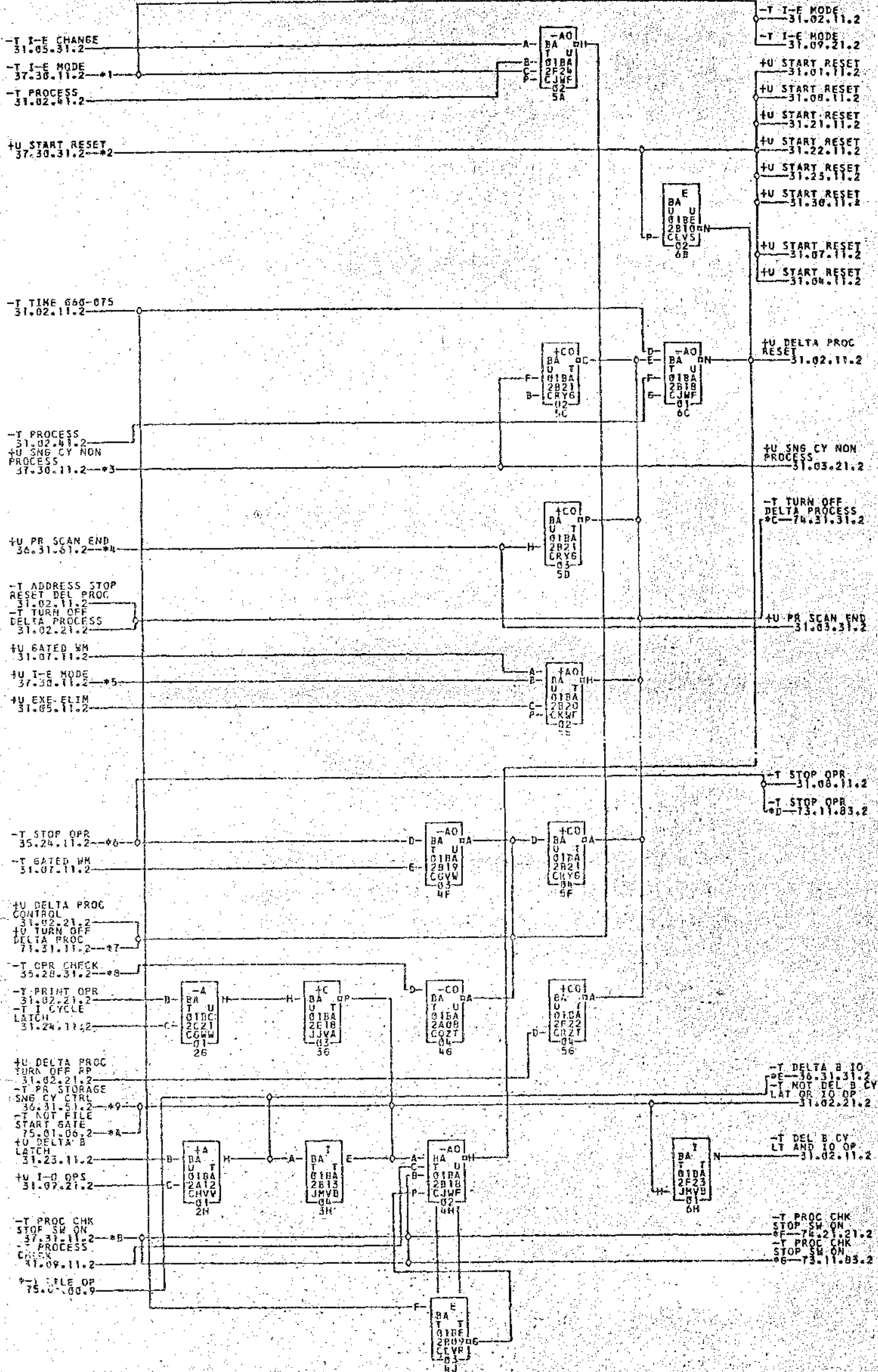
1401

31.02.31.2

TAG DATE

D 7.2.83  
TA 1713A

E 6.3.83  
TA 1771A



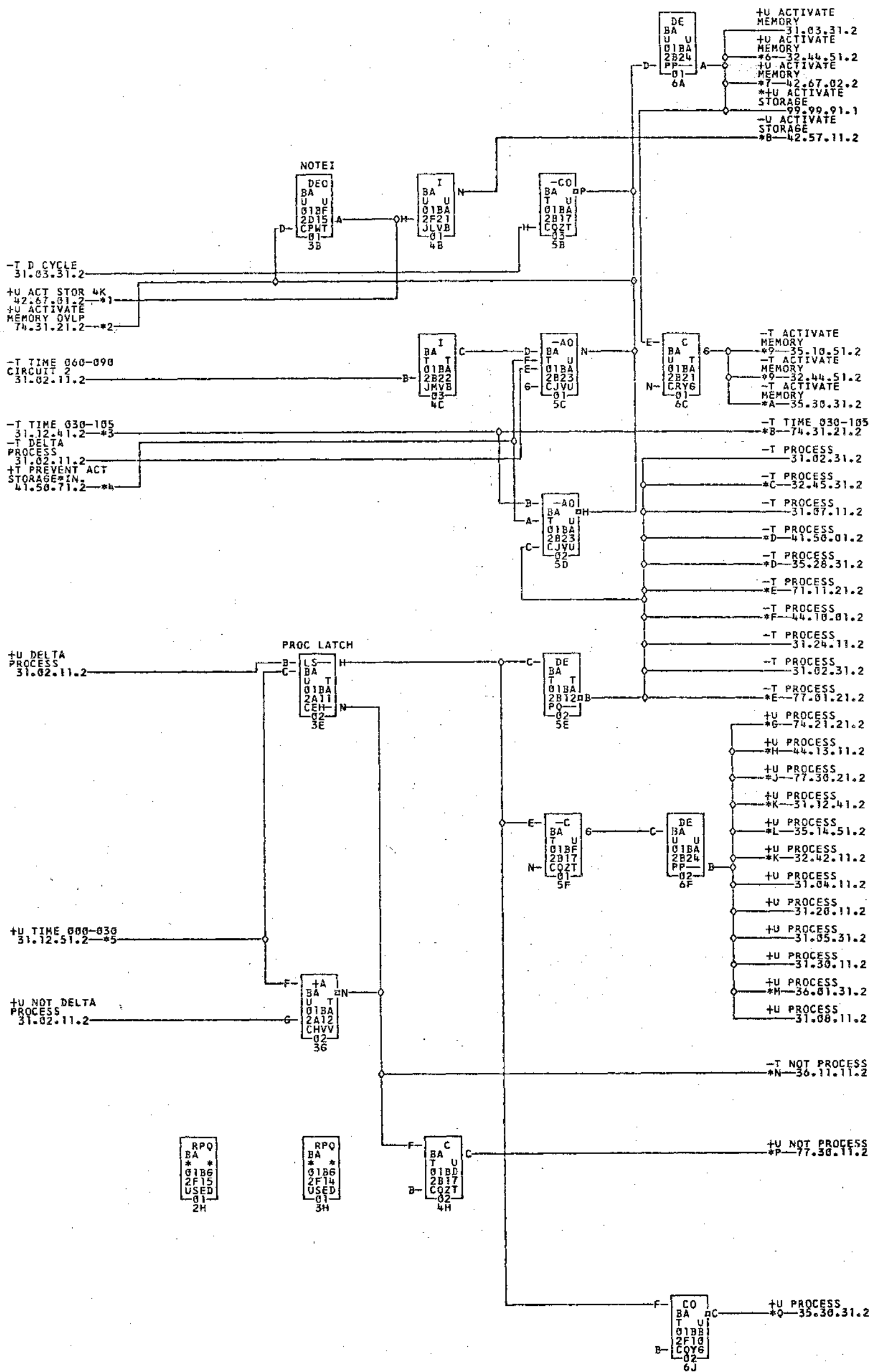
- \*1-01B2F04F
- \*2-01B2F03F
- \*3-01B2F03B
- \*4-01B2B01F
- \*5-01B2C04R
- \*6-01B2502P
- \*7-01B2C03B
- \*8-01B2C02O
- \*9-01B2B01H
- \*A-01B2C03F
- \*B-01B2F04L
- \*C-01B2A05K
- \*D-01B2E01C
- \*E-01B2B01C
- \*F-01B2B02X
- \*G-01B1C01R
- \*H-01B2B02P
- \*I-01B2E01P
- \*J-01B2B01P
- \*K-01A6D24H
- \*L-02ACA19C

NOTE: ASTERISK PRECEDING SIGNAL INDICATES DIRECT CABLE EXPANSION

TAG NO.	DATE	FIG. NO.	TAG NO.	DATE	FIG. NO.	TAG NO.	DATE	FIG. NO.	TAG NO.	DATE	FIG. NO.
A	12-12-81	114539	B	03-05-82	114427	C	06-13-82	114164	D	10-23-82	114148
E	12-16-82	114178									

729054  
1771 A



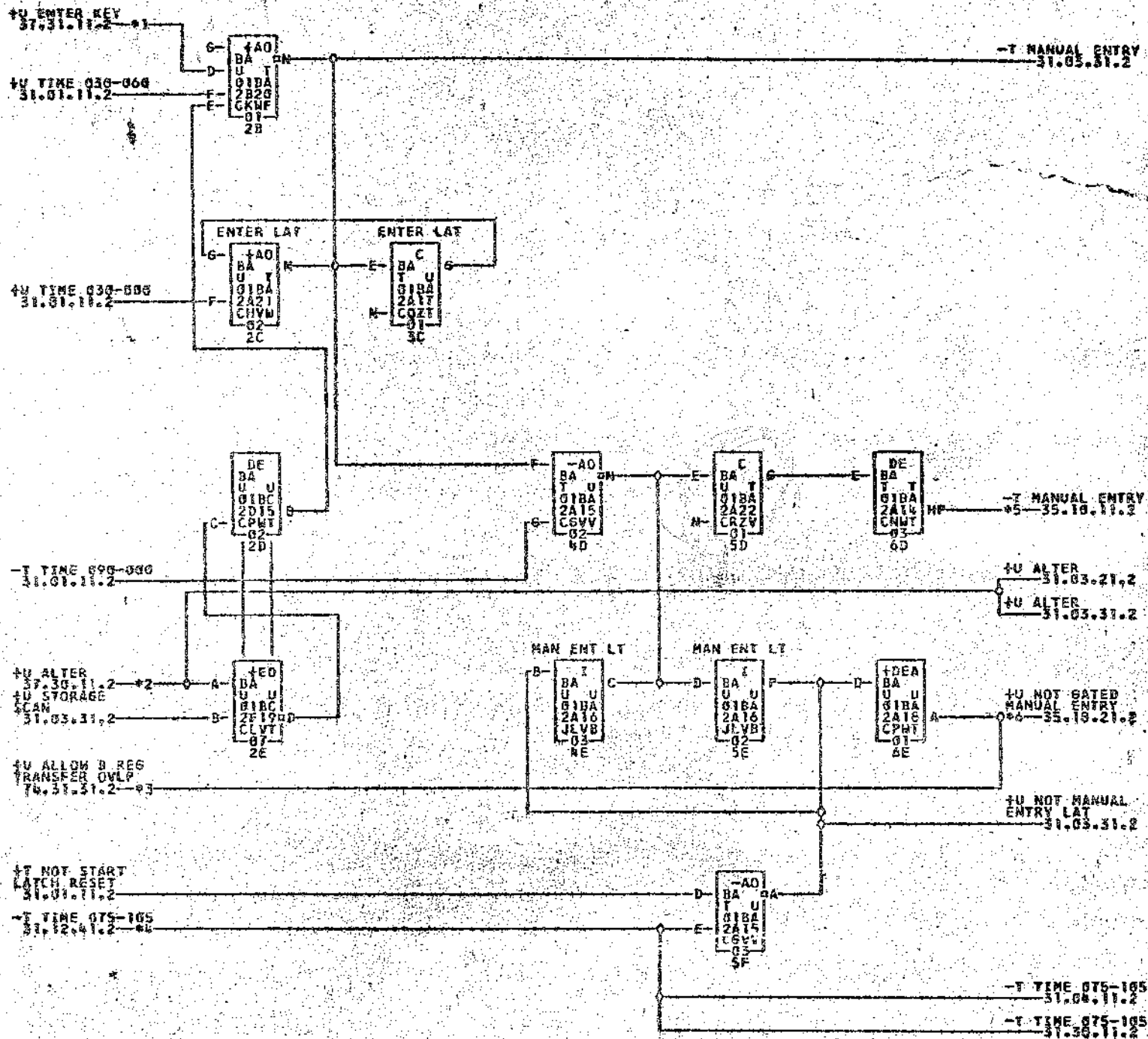


*1-01B2E05L	06B7A12L	*2-01B2D05C	*3-01B2E04Q	*4-01B2A02N	*5-01B2F01M
*6-01B2E02M	01A8E25K	*7-01B2E05K	06B7A12K	06B4D01F	*8-01B2D04L
01A3D25L	01A3A25K	01A1F01K	*9-01B2E02L	01A3A26J	*A-01B2E03D
01B6E01D	*B-01B2D05A	02A0A01A	02B1C03A	*C-01B2D01R	01A8D26R
*D-01B2B02Q	01B1C01Q	*E-01B2C03D	02A0D016	02A1D20D	*F-01B2A03D
02A9E15C	02B7E01D	*G-01B2C03A	02A0C156	02B1D02C	*H-01B2B03C
02A9E13D	02B7B01C	*J-01B2F056	01B80723	*K-01B2E02A	*M-01B3B01R
01A8E25E	01A8B25B	06B7A15B	*L-01B2D04N	01A3D25N	*N-01B2B04B
01B4E01B	*N-01B2A04L	01B4B01L	*P-01B2F05H	01B80729	*Q-01B2E03E
01B6E01E					

COMMENTS  
NOTE-ON MACHINES BK AND UP D15 IS DOT  
ORD WITH F21 CIR. 3 ON 42.67.01.2  
SIGNALS PRECEDED BY AN ASTERISK  
INDICATE DIRECT CABLE EXPANSION.

TAG DATE	E.C.NO.	TAG DATE	E.C.NO.	TAG DATE	E.C.NO.	TAG DATE	E.C.NO.
A 12-15-61	113530	B 01-23-62	113830	C 03-05-62	114127	D 06-04-62	114146
E 10-23-62	114164	F 12-10-62	114178	G 09-16-63	118575B		

729055



#1-01B2F0NC  
01A3D23M

#2-01B2F01A  
01A3D24M

#3-01B2D05H

#4-01B2F011

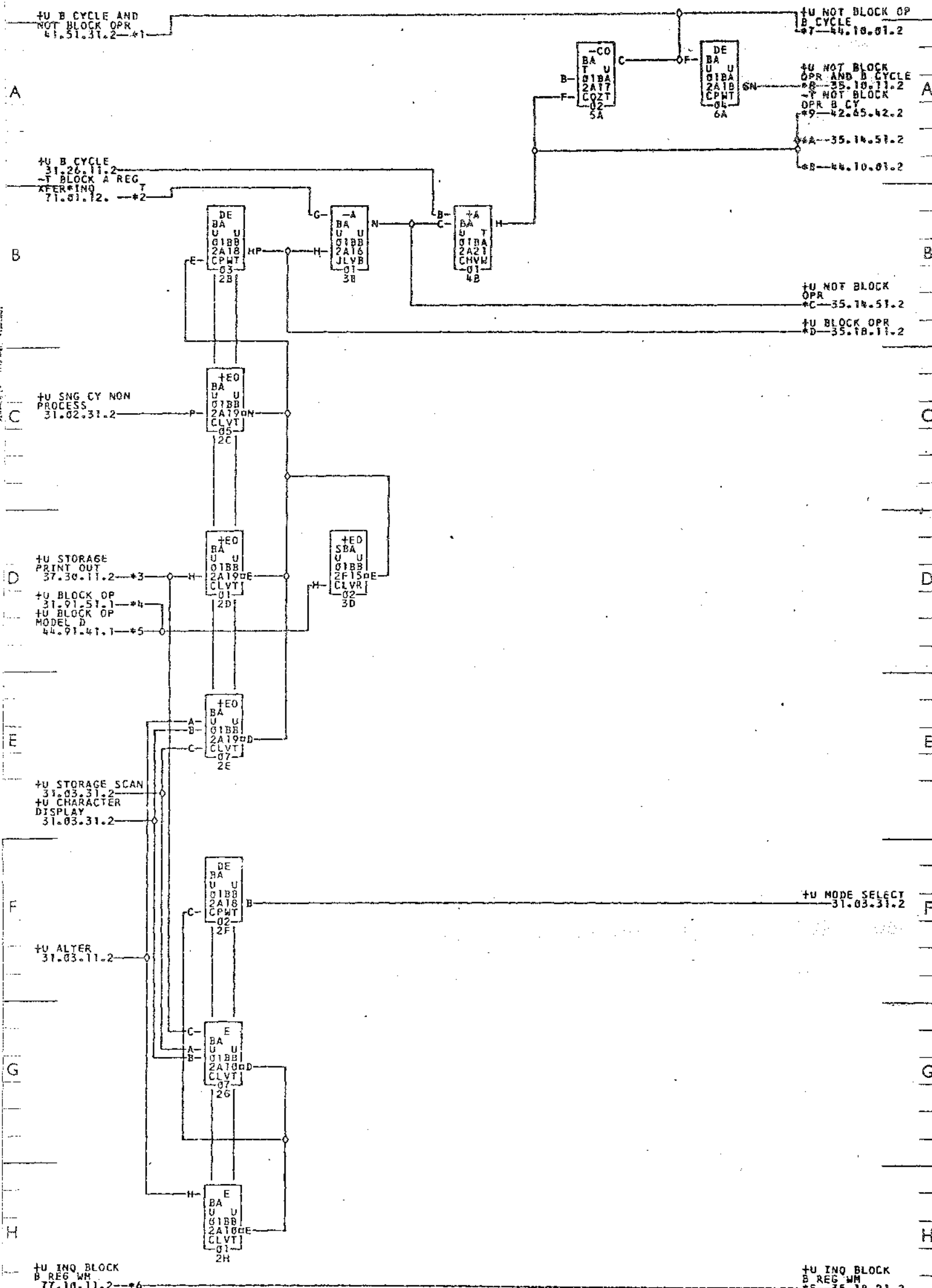
#5-01B2D04C

01A3D25C

COMMENTS

TAG DATE	REV. NO.	TAG DATE	REV. NO.	TAG DATE	REV. NO.	TAG DATE	REV. NO.
12-15-61	115530	06-06-62	116766	12-10-62	116778		

729056



- \*1-01B2A01P
- \*2-01B88755
- \*3-01B2F04M
- \*4-01B2F15H
- \*5-01B2F15H
- \*6-01B2F05G
- \*7-01B2F05G
- \*8-01B2F05G
- \*9-01B2F05F
- \*A-01B2B04A
- \*B-01B2B05B
- \*C-01B2D03R
- \*D-01B2D03Q
- \*E-01B2D04K
- \*F-01B2D04M
- \*G-01B2D05G
- \*H-01B2D04B
- \*I-01B2D05D
- \*J-01A3D24Q

COMMENTS TAG DATE E.C.NO. TAG DATE E.C.NO. TAG DATE E.C.NO. TAG DATE E.C.NO.

A 04-02-63 TA1807 B 04-17-63 TA1807B

**IBM** BRITISH LABORATORIES WINCHESTER U.S. FORM NO. 44-101-1

789998

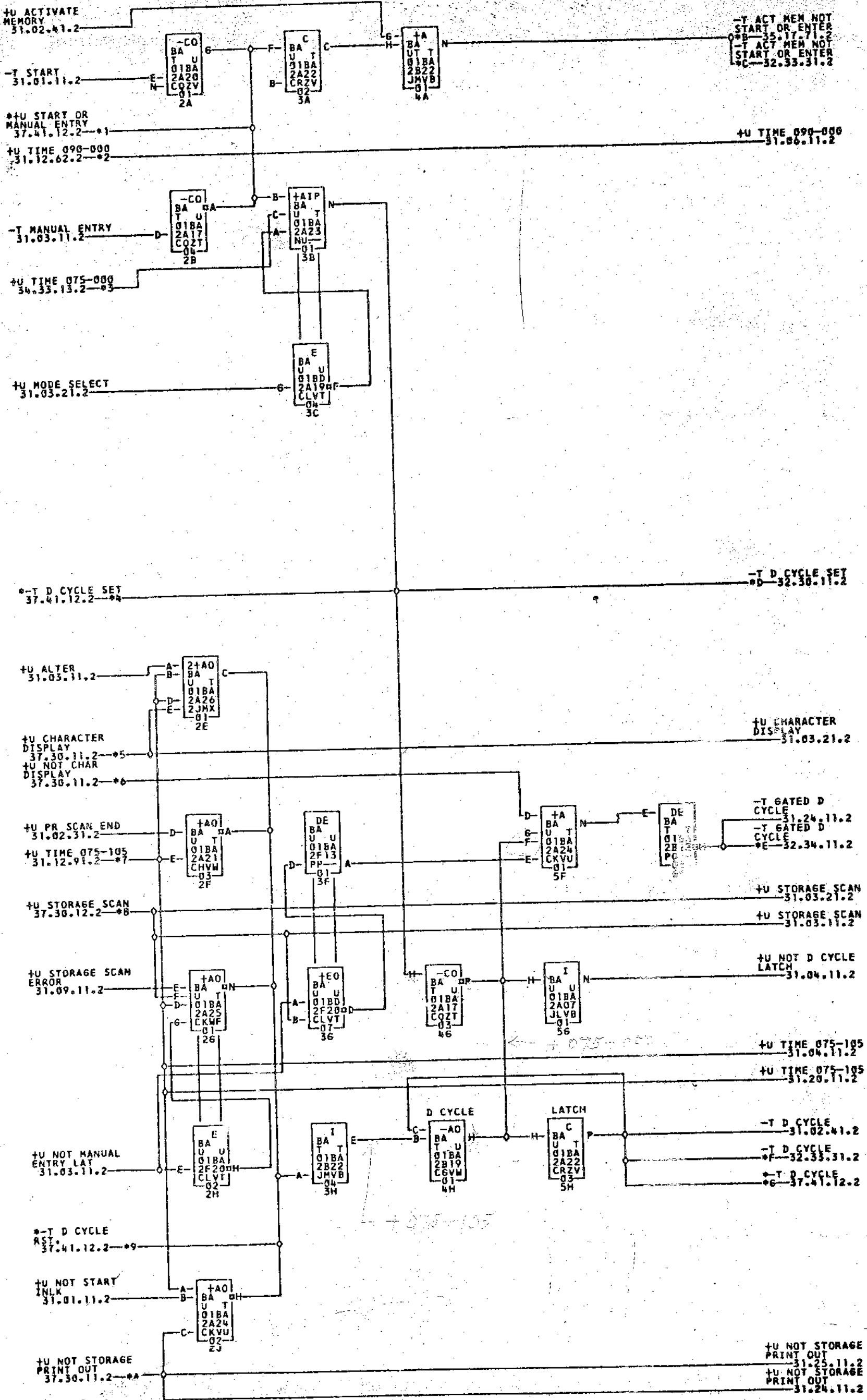
MANUAL CONTROLS SECTION 3

7401

31.03.31.2

0729058

D 613.63  
TA 1771A  
E 16.4.63  
TA 1815A



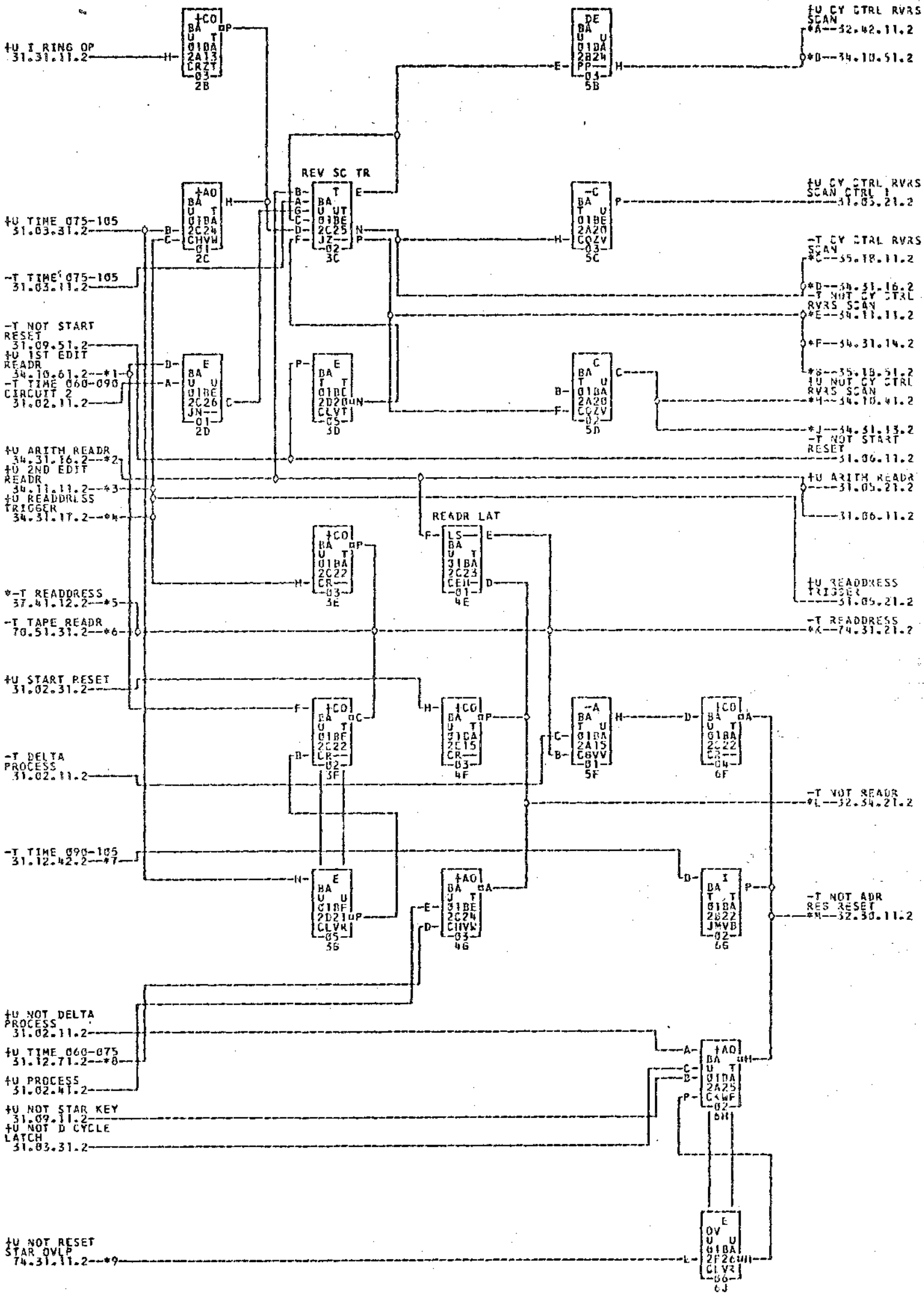
- \*1-01B2A22F
- \*6-01B8RC35
- \*2-01B2F01P
- \*3-01B2D04R
- \*4-01B2F02P
- \*5-01B2F03C
- \*7-01B2F01R
- \*8-01B2F03D
- \*9-01B2D22A
- \*A-01B2F03K
- \*B-01B2D03H
- \*C-01A3D24H
- \*D-01B2F02P
- \*E-01B2D02G
- \*F-01A7F256
- \*G-01B2D02Q
- \*H-01B2D02R
- \*I-01A7F25R
- \*J-01B8RC02
- \*K-01B8RC13
- \*L-01B2F02P
- \*M-01B2D02R

NOTE: WHEN A SIGNAL IS PRECEDED BY AN ALPHABETICAL LETTER INDICATES THAT THE SIGNAL IS CONTROLLED BY THE RELAY SHOWN IN THE EXPANSION.

TAG DATE F.C.NO. TAG DATE F.C.NO. TAG DATE F.C.NO. TAG DATE F.C.NO.

A 12-15-61 113530 P 05-03-62 114141 C 10-2-62 114184 D 12-10-62 114178

729058



- \*1--01B2E01J      \*2--01B2E04P      \*3--01B2E01K      \*4--01B2E04J      \*5--01B2E05L      -----01B2E05
- \*6--01B2E01R      \*7--01B2E01J      \*8--01B2E04R      \*9--01B2E05J      \*A--01B2E01B      -----01B2E05
- \*B--01B2E03B      -----01B2E01D      \*C--01B2E04K      -----01B2E04G      \*D--01B2E04G      -----01B2E04J
- \*E--01B2E04C      -----01B2E01C      \*F--01B2E04H      -----01B2E03H      \*G--01B2E03J      -----01B2E05L
- \*H--01B2E01R      -----01B2E01R      \*J--01B2E04F      -----01B2E03F      \*K--01B2E05L      -----01B2E05L
- \*L--02D1C03L      \*M--01B2E02B      -----01A7F25D      \*N--01B2F02J      -----01A7D24J

NOTE: WHEN SIGNAL IS PRECEDED BY AN ASTERISK, ITS EXPANSION INDICATES CABLE WIRING FOR REMOTE RECYCLE CONTROL INSTALLATION

TAG	DATE	E.C.NO.	TAG	DATE	E.C.NO.	TAG	DATE	E.C.NO.	TAG	DATE	E.C.NO.
A	19-06-62	TAT282A	B	25-07-62	TAT370C	C	03-08-62	TAT370D	D	07-07-62	TAT441A
E	04-17-63	TAT771D	F	06-05-63	TAT815D	G	07-17-63	TAT815D			

0729060

I-E CHANGE SECTION 1

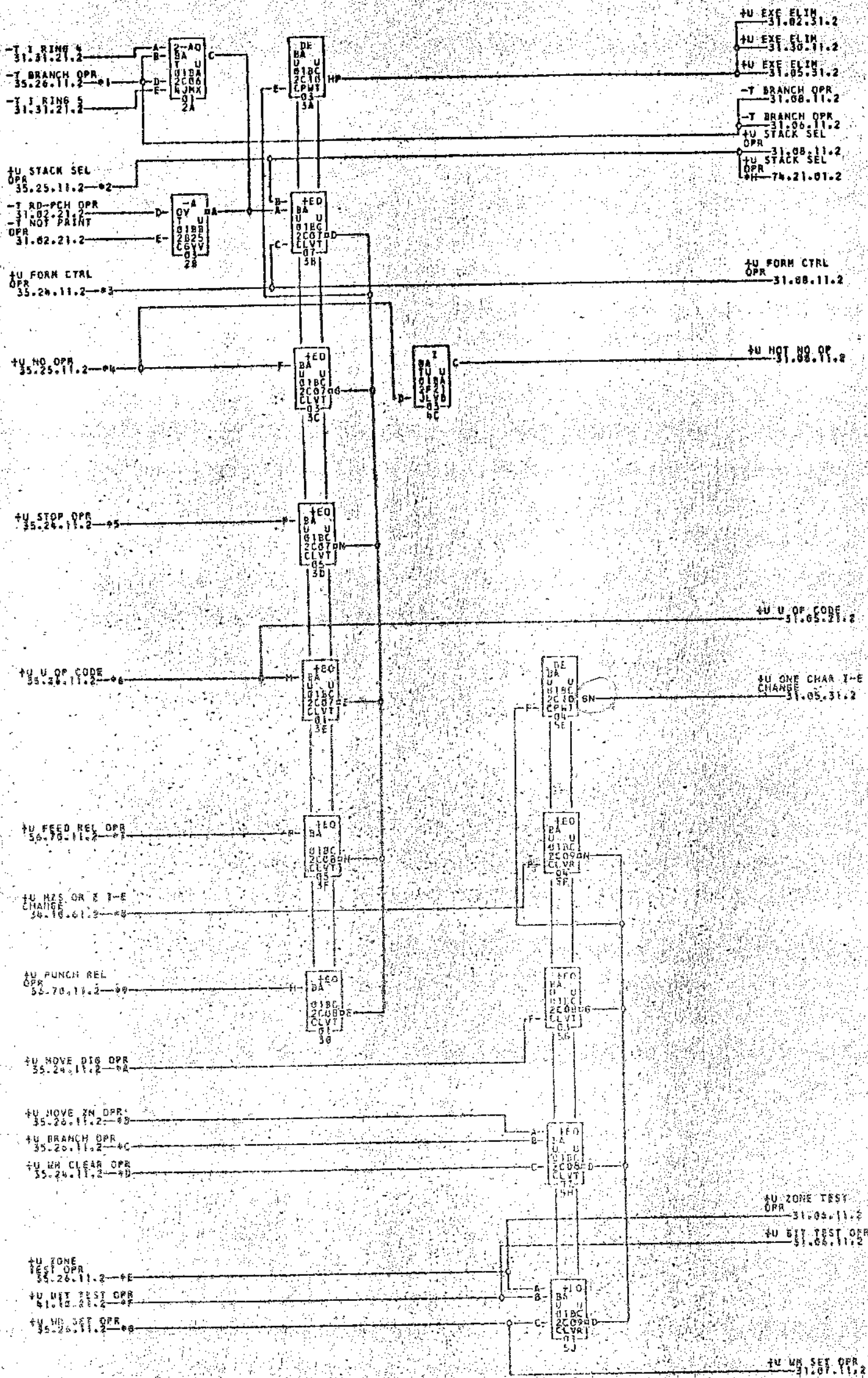
1401

31.05.11.2

TAG DATE

B 2.7.62  
TA 1370A

C 5.3.63  
TA 1771A



- \*1-01B2B02L      \*2-01B2B02H      \*3-01B2C02M      \*4-01B2C02K      \*5-01B2B02S      \*6-01B2C01A
- \*7-01B2C02J      \*8-01B2E01L      \*9-01B2C02R      \*A-01B2B02C      \*B-01B2B02M      \*C-01B2C02F
- \*D-01B2C02E      \*E-01B2C02C      \*F-01B2C02D      \*G-01B2B02A      \*H-01B2D05R      \*I-02A0A11B

COMMENTS      TAG DATE    E.C.NO.      TAG DATE    E.C.NO.      TAG DATE    E.C.NO.      TAG DATE    E.C.NO.

1771 A  
 729060

0729061

I-E CHANGE SECTION 2

1401

31.05.21.2

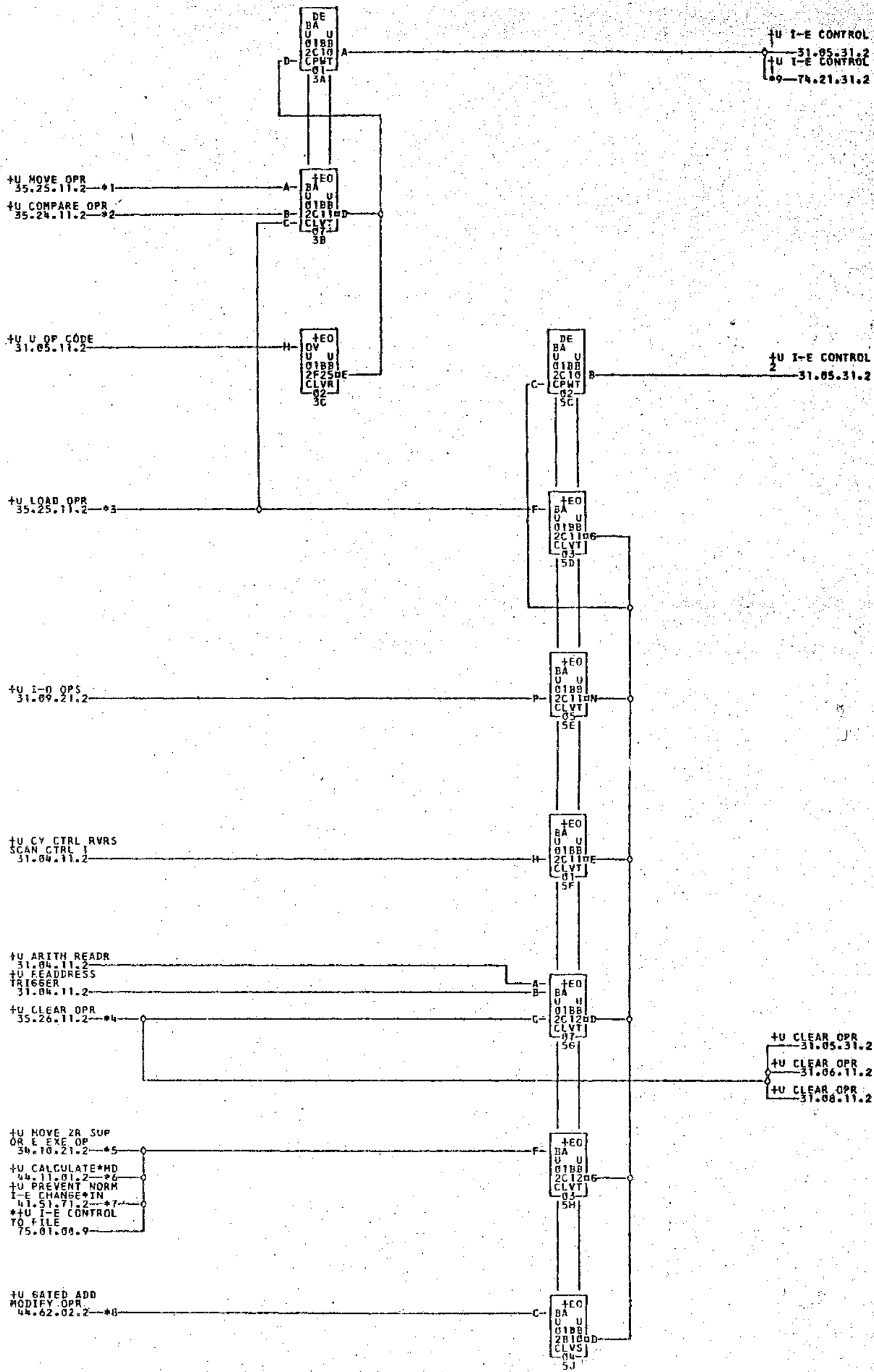
TAG DATE

A 5.4.62

TA 1233B

B 5.3.63

TA 1771A



- \*1—01B2E02B      \*2—01B2B02E      \*3—01B2E02C      \*4—01B2E02D      \*5—01B2E036      \*6—01B2A03B
- \*7—01B2A02L      \*8—01B2B02K      \*9—01B2D02M      —01A7F25M      —01A7C22Q
- 02A0F016      —02A0D15E      —02B1F030

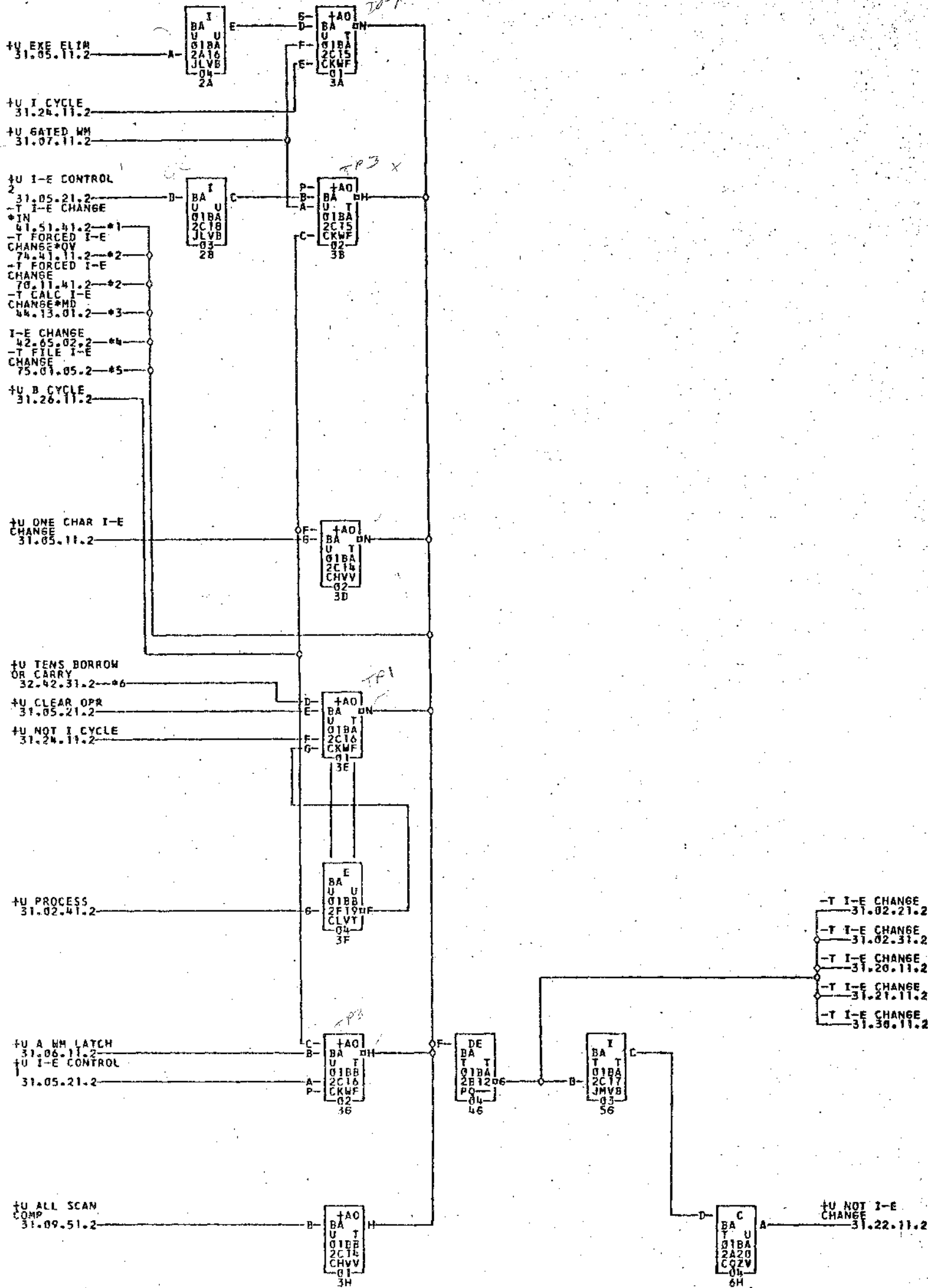
COMMENTS  
 NOTE ASTERISK PRECEDING SIGNAL  
 INDICATES DIRECT CABLE EXPANSION

TAG DATE	E.C.NO.	TAG DATE	E.C.NO.	TAG DATE	E.C.NO.	TAG DATE	E.C.NO.
A 12-15-61	113530	B 12-10-62	114178				

729061

A 1771A

A 5.4.62  
TA 1233B  
B 5.3.63  
TA 1771A



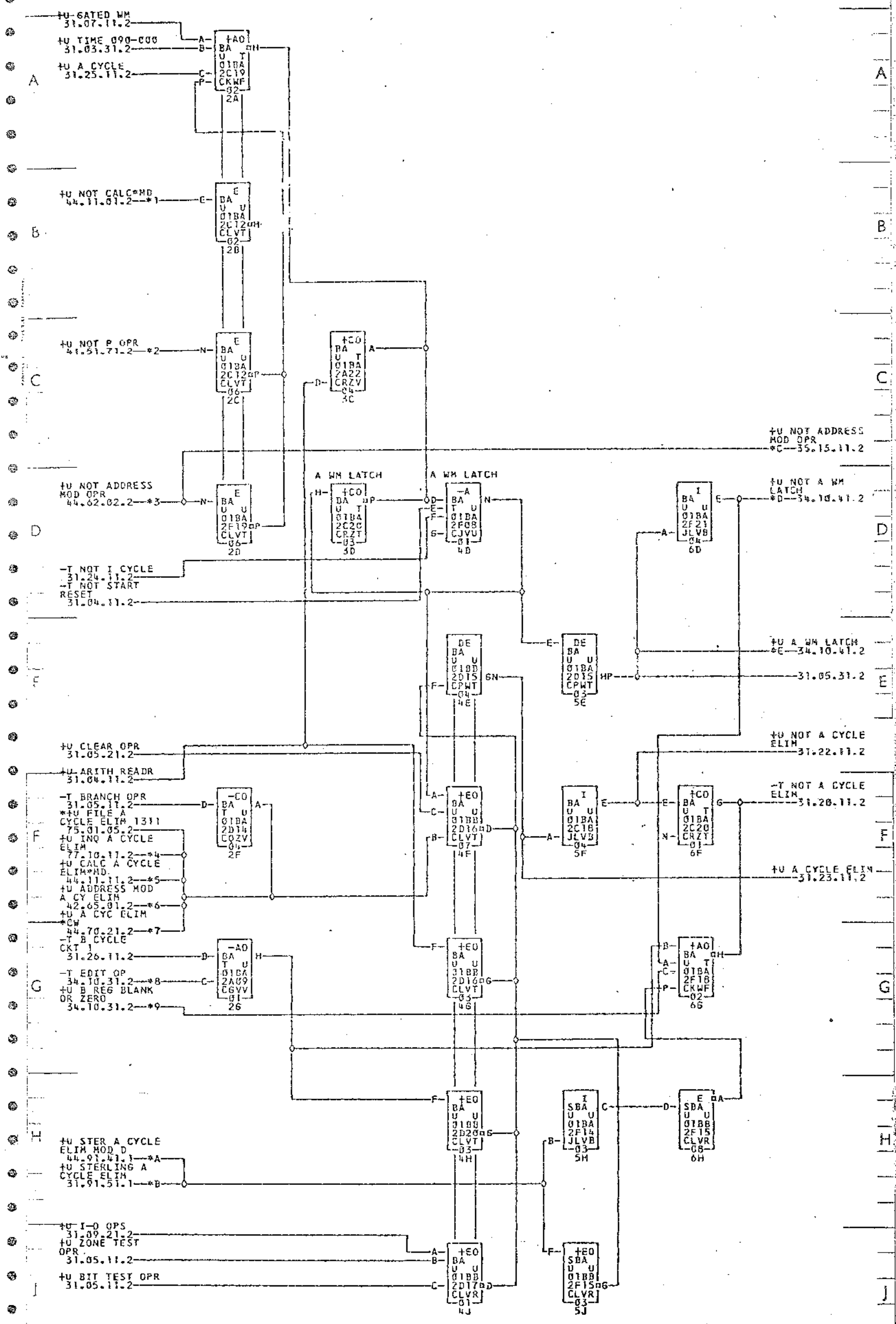
- \*1-01B2A01M      \*5-01B2A01M      \*2-01B2C01D      \*3-01B2A03C      \*4-01B2E056
- 0697A126      02A0D17D      02B6A01M      \*6-01B2D01K
- 02A0D17D      02ABF24F

COMMENTS

TAG DATE	E.C.NO.	TAG DATE	E.C.NO.	TAG DATE	E.C.NO.	TAG DATE	E.C.NO.
A 12-15-61	113530	B 12-10-62	114178				

729062  
1771A

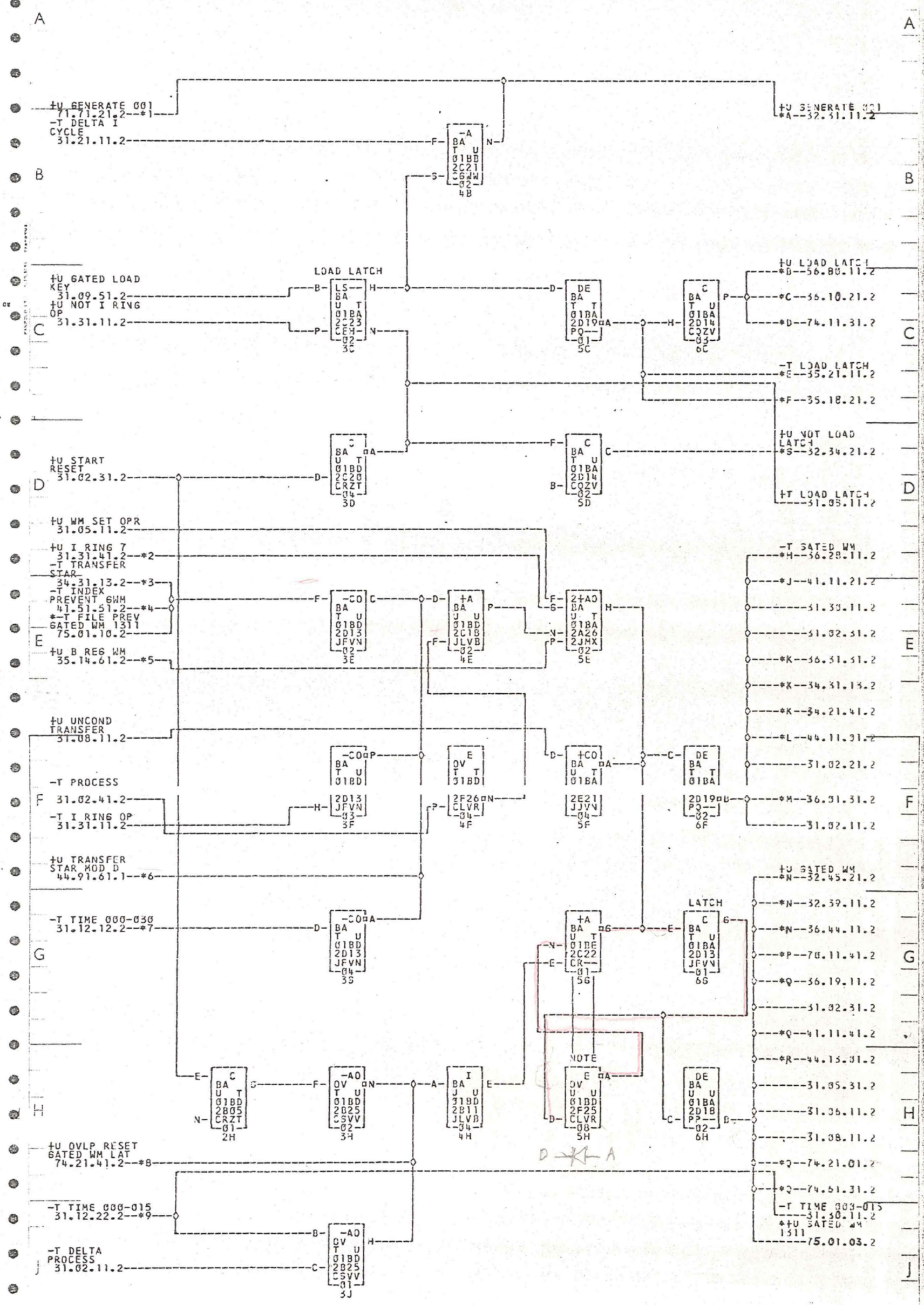




- \*1-01B2A03A      \*2-01B2A02H      \*3-01B2B02J      \*4-01B8A00V      \*5-01B2F05C      \*6-01B2A03E
- \*6-01B2E05H      \*7-01B2A020      \*7-01B2B02A      \*8-01B2E01D      \*8-01B2E03K      \*9-01B2E03K
- \*A-01B2F14B      \*A-01B2E03J      \*B-01B2F14B      \*B-01B2E03J      \*B-01B2E03J      \*B-01B2E03J
- \*C-01B2D04J      \*C-01A3D25J      \*D-01B2E03H      \*D-01B6E01H      \*E-01B2E03J      \*E-01B6E01J

COMMENTS  
NOTE ASTERISK PRECEDING SIGNAL  
INDICATES DIRECT CABLE EXPANSION

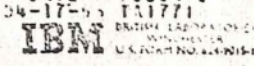
TAG DATE E.C.NO. TAG DATE E.C.NO. TAG DATE E.C.NO. TAG DATE E.C.NO.  
A 04-02-63 TA1807 B 04-17-63 TA1807B



*1--01B2C33L DIRECT	*2--01B2C05Q 01B7A19A	*3--01B2E04N 01B2D02L	*4--01B2A02J 01B2D035C	*5--01B2E02E 01B2F01G	*6--01B2C18D 01B2F02R
*A--01A7D26R 01A0E24R	*B--01B2A04J 01B2A04J	*7--01B4801J 01B4801J	*8--01B2D022C 01A3D246	*9--02A0A09B 01D2D02C	*A--01B7D02R 02B1C03Q
*E--01D2B02N 01D2A34F	*C--01B1C01N 01B4801F	*F--01B2D033B 01B4C03F	*D--01B7A01F 02A9C19E	*S--01B2A04F 02B8E01P	*B--01A7F25C 01B4B01F
*H--01B4C03F 01B3B01J	*D--01B7A01F 01B6C01P	*G--01B7D01I 01B2E022J	*L--01B2B03L 01B2B03K	*J--01A7A26M 01B4E01Q	*K--02B7B01L 01A8E25H
*M--01B7A34I 01B2C31E	*E--02A0D03F 02B8F02N	*N--02A2A44E 02B1C02M	*Q--01B2A04B 02B8D04S	*R--01B2B05A	*L--01A8F03N 02A9E09D

COMMENTS  
 NOTE THE GATED WM LATCH DOES NOT LATCH UP UNLESS SYSTEM HAS PROC OVLP FEATURE  
 NOTE ASTERISK PRECEDING SIGNAL INDICATES DIRECT CABLE EXPANSION

TAS DATE E.C.NO.	TAS DATE E.C.NO.	TAS DATE E.C.NO.	TAS DATE E.C.NO.
A 13-05-62 TA1222A	D 25-07-62 TA1370C	C 03-08-62 TA1370S	D 04-17-63 TA1771
E 09-02-63 TA1917D			



794200  
19473

0729065

PROGRAM SKIP LATCH

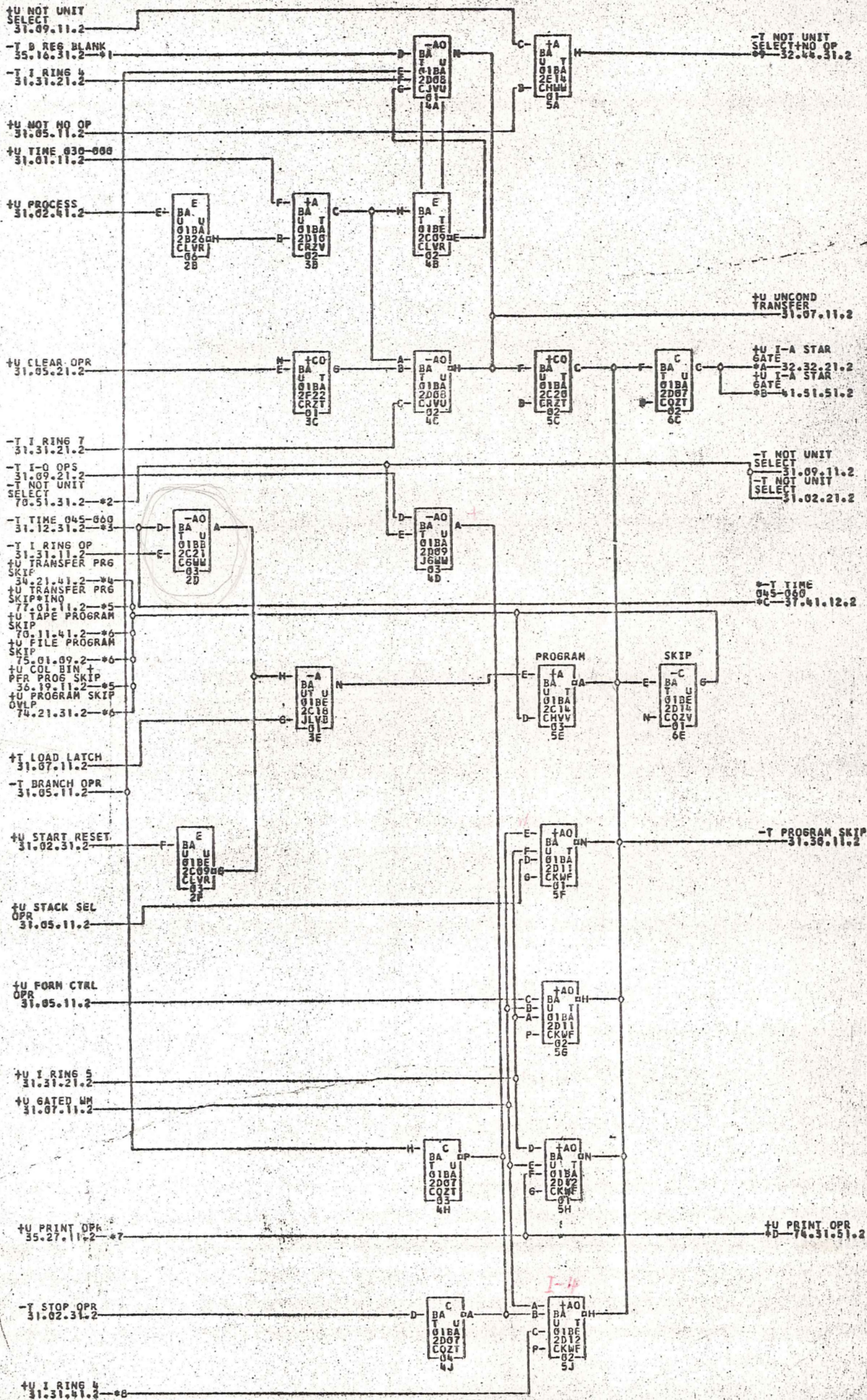
1401

31.08.11.2

TAG DATE

D 7.2.63  
TA 1713A

E 5.3.63  
TA 1771A



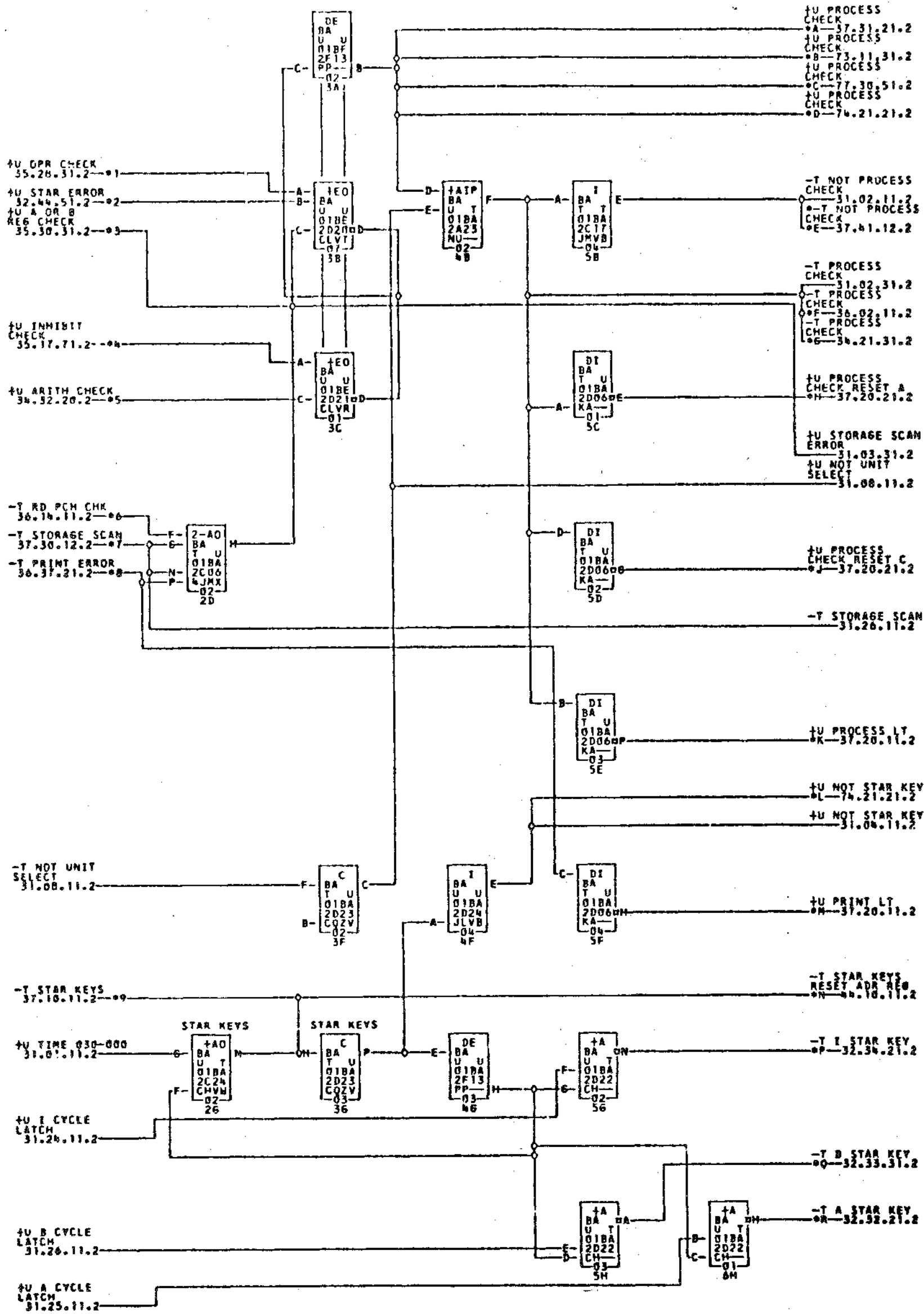
- \*1-01B2E02H
- \*2-01B2C01K
- \*3-01B2F01Q
- \*4-01B2E01N
- \*5-01B2B04A
- \*6-01B2C01P
- \*7-01B2C02P
- \*8-01B2C05J
- \*9-01B2D01P
- \*A-01B2D02A
- \*B-01B2A02D
- \*C-01B2F01Q
- \*D-01B2A05F
- \*E-02A0E01F
- \*F-01A7F25A
- \*G-02A0A03C
- \*H-01B2C01P
- \*I-02B6A02D

729065

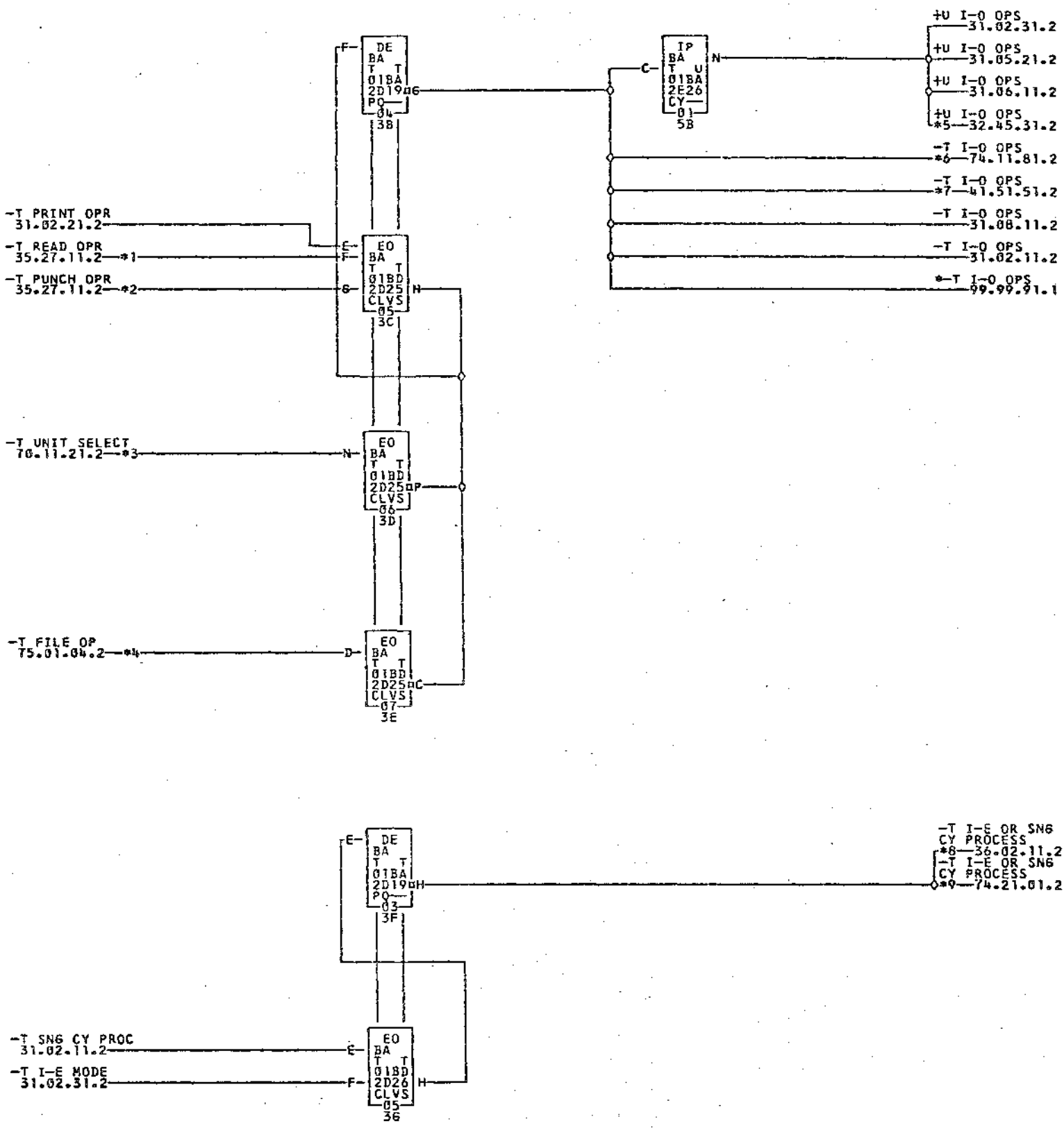
NOTE: WHEN A SIGNAL IS PRECEDED BY AN ASTERISK, ITS EXPANSION INDICATES CABLE STRIP FOR REMOTE RECYCLE CONTROL INSTALLATION.

COMMENTS

TAG DATE: 12-15-61 FIC NO: 113530  
 TAG DATE: 03-05-62 FIC NO: 116127  
 TAG DATE: 05-03-62 FIC NO: 116101  
 TAG DATE: 10-23-62 FIC NO: 116100



- |             |             |             |             |             |             |
|-------------|-------------|-------------|-------------|-------------|-------------|
| *1-01B2C07A | *2-01B2D016 | *3-01B2E012 | *4-01B2D03D | *5-01B2E03L | *6-01B2A04A |
| *7-01B2F03N | *8-01B2D01P | *9-01B2F032 | *A-01B2D03B | 01A3D24B    | 01A3E240    |
| 01A2A170    | *B-01B2C01L | 02A0D155    | 02A2824L    | *C-01B2F05J | 01B60735    |
| *D-01B2D05H | 02A0A15A    | 02B1C03H    | *E-01B2C17E | 01B6RC15    | *F-01B2A04H |
| 01B4B01W    | *G-01B2E03F | 01B6E01F    | *H-01B2C04A | 01A2A15A    | *I-01B2C04B |
| 01A2A15B    | *K-01B2C04Q | 01A2A150    | *L-01B2D05P | 02A0A07B    | *J-01B2C04P |
| *M-01B2C04P | *N-01B2B036 | 01B2B036    | C249E17D    | 02B7B01E    | *K-02B1C03P |
| 01A7F25H    | *O-01B2D02J | 01A7F25J    | *R-01B2D02K | 01A7F25K    | *L-01B2D02M |



- |             |             |             |             |             |             |
|-------------|-------------|-------------|-------------|-------------|-------------|
| *1-01B2B02B | *2-01B2B02D | *3-01B2C01Q | *4-01B2A03R | 02A9F19C    | 02A8F24H    |
| *5-01B2D01N | 01A8D26N    | *6-01B2A05N | 02A0A17C    | 02B1E01N    | *7-01B2A02F |
| 02A0D05E    | 02B6A02F    | *8-01B2B04C | 01B4E01C    | *9-01B2A05R | 02A0A03D    |
| 02B1E01R    |             |             |             |             |             |

COMMENTS  
SIGNALS PRECEDED BY AN ASTERISK  
INDICATE DIRECT CABLE EXPANSION.

TAG DATE	E.C.NO.	TAG DATE	E.C.NO.	TAG DATE	E.C.NO.	TAG DATE	E.C.NO.
A 12-15-61	113530	B 04-04-62	114133	C 12-10-62	114178	D 09-16-63	118575B

729067

-T NOT START  
RESET  
37.30.31.2 \*1

-T NOT START  
RESET  
\*6-42.65.01.2  
-T NOT START  
RESET  
31.04.11.2  
-T NOT START  
RESET  
\*H-41.50.01.2

D 20.9.62  
TA 1441D

E 5.3.63  
TA 1771A

+U ALL SCAN  
COMP  
36.01.11.2 \*2

+U ALL SCAN  
COMP  
\*J-41.51.51.2  
+U ALL SCAN  
COMP  
31.05.31.2  
+U ALL SCAN  
COMP  
31.20.11.2  
+U ALL SCAN  
COMP  
31.02.11.2

-U LOAD TAPE  
71.71.21.2 \*3

-U LOAD TAPE  
\*K-04.14.01.2  
-U LOAD TAPE  
31.21.11.2  
-U LOAD TAPE  
31.22.11.2  
-U LOAD TAPE  
31.23.11.2

+U NOT REGEN  
B REG WM  
36.12.21.2 \*4  
+U FORCE C  
DIGIT  
36.12.11.2 \*5

-U LOAD TAPE  
\*L-31.31.31.2  
+U NOT REGEN  
B REG WM  
\*M-35.10.21.2  
+U FORCE  
C DIGIT  
\*N-35.15.11.2

+U GATED  
LOAD KEY  
36.10.21.2 \*6

+U GATED  
LOAD KEY  
\*P-44.14.01.2  
+U GATED  
LOAD KEY  
31.07.11.2  
+U GATED  
LOAD KEY  
31.21.11.2  
+U GATED  
LOAD KEY  
31.23.11.2

-T SET B A REG  
RD-PCH  
36.12.21.2 \*7

-T SET B A REG  
RD-PCH  
\*Q-35.13.51.2

-T NOT MLP  
36.13.21.2 \*8

-T NOT MLP  
\*R-35.17.71.2

-T NOT A REG  
ERROR RESET  
70.61.21.2 \*9

-T NOT A REG  
ERROR RESET  
\*S-35.30.31.2

+U STOP I-O  
73.11.03.2 \*A

+U STOP I-O  
\*T-73.12.21.2

+U NOT A FOR B  
SUBSTITUTE  
75.01.06.2 \*B

+U NOT A FOR B  
SUBSTITUTE  
\*U-32.33.31.2

+U B REG NOT WM  
35.14.61.2 \*C

+U B REG NOT WM  
\*V-32.44.31.2

-T FILE TRANS  
A REG WM  
75.01.06.2 \*D

-T FILE TRANS  
A REG WM  
\*W-35.14.51.2

+U START RESET  
37.30.31.2 \*E

+U START RESET  
\*X-31.10.11.2

-T CFC RD PRT  
INLK  
36.31.51.2 \*F

-T CFC RD PRT  
INLK  
\*Y-36.10.11.2

\*1-01B2F03M  
\*2-01B2B04N  
\*3-01B2C03R  
\*4-02A0E05E  
\*5-02A9F15C  
\*6-01B2D04F  
\*7-01A3D256  
\*8-01A7F25N

\*9-01B2B01N  
\*A-01B2B04P  
\*B-01B2F03F  
\*C-02B6A02R  
\*D-02B7E01P  
\*E-01A3D25F  
\*F-01B2D04H  
\*G-01B2F02K

\*H-01B2C03M  
\*I-01B2C01F  
\*J-01B2B01J  
\*K-01B2A02C  
\*L-01B2E03A  
\*M-01B2A030  
\*N-01A3D25H  
\*O-01A7D26K

\*P-01B2A04B  
\*Q-01B2E01E  
\*R-01B2E05C  
\*S-02A0C19E  
\*T-01B2E01A  
\*U-02A9F17C  
\*V-01B2E030  
\*W-01B2D04M

\*X-01B2B06M  
\*Y-01B2C03Q  
\*Z-06B7A12C  
\*AA-02B6A02C  
\*AB-01B2D03L  
\*AC-02B7E01Q  
\*AD-01B2B03M  
\*AE-01B2D02N  
\*AF-01B2D03N

\*AG-01B2A04K  
\*AH-01B2D03E  
\*AI-01B2A02R  
\*AJ-01B2A03P  
\*AK-01A3D24L  
\*AL-01B2D046  
\*AM-01B2D02N  
\*AN-01B2B04Q

COMMENTS

TAG DATE E.C.NO. TAG DATE E.C.NO. TAG DATE E.C.NO. TAG DATE E.C.NO.  
A 12-15-61 113530 B 01-23-62 113030 C 03-23-62 114130 D 06-25-62 114153  
E 12-10-62 114170

729058

A

-T NOT PRINT  
READY  
36.31.51.2--\*1

-T NOT PRINT  
READY  
\*B-31.92.01.2

A

-T CLOCK CTRL  
70.11.41.2--\*2

-T CLOCK CTRL  
\*C-31.92.01.2

B

+U STAR RESET  
31.92.01.2--\*3

+U STAR RESET  
\*D-70.11.11.2

\*E-32.34.11.2

\*F-44.16.21.2

B

-T TIME 000-060  
TR5  
31.92.10.2--\*4

-T TIME 000-060  
TR5  
\*G-36.31.01.1

C

-T NOT OSC  
31.92.01.2--\*5

-T NOT OSC  
\*H-32.45.21.2

C

D

+U START RESET  
35.10.11.2--\*6

+U START RESET  
\*I-31.92.01.2

D

E

-T STOP CLOCK  
37.31.21.2--\*7

-T STOP CLOCK  
\*K-31.92.01.2

E

F

-T NOT PRINT  
SC COMP  
36.31.41.2--\*8

-T NOT PRINT  
SC COMP  
\*L-31.92.01.2

F

G

-T PROCESS  
CHECK RESET  
37.10.11.2--\*9

-T PROCESS  
CHECK RESET  
\*M-31.92.01.2

G

H

-T TIME 015-075  
TR 2  
31.92.01.2--\*A

-T TIME 015-075  
TR 2  
\*N-35.10.01.2

H

\*1-01B3B02N  
\*7-01B3F02M  
\*B-01B3B05A  
-----01A7B23P  
-----02A7E25R  
-----02D0B02N  
-----02BRA03K

\*2-01B3A036  
\*8-01B3B02L  
-----02B0D02A  
-----0281F03P  
\*6-01B3B02D  
\*K-01B3A04F  
\*N-01B3D03H

\*3-01B3B05C  
\*9-01B3F02P  
\*C-01B3B05B  
\*E-01B3A03B  
-----01A6A25D  
-----02B0C01F  
-----01A3B25R

\*4-01B3B05E  
\*A-01B3D03H  
-----02B0D02B  
-----01A7A26Q  
\*H-01B3A03D  
\*L-01B3A04L

\*5-01B3B05D  
-----DIRECT  
\*D-01B3A03B  
\*F-01B3C02R  
-----01A8E25H  
-----02B8C01L

\*6-01B3E01E  
-----02B8A15F  
-----01A7A26Q  
-----02A9F19G  
\*J-01B3F04N  
\*M-01B3C04K

COMMENTS

TAG DATE E.C.NO.  
A 04-02-63 TA1607

TAG DATE E.C.NO.  
B 04-17-63 TA1607B

TAG DATE E.C.NO.

TAG DATE E.C.NO.

789927  
1607 B

A

A

B

B

C

C

D

D

E

E

F

F

G

G

H

H

-T TIME 060-090  
CIRCUIT 2  
31.92.42.1-1

-T TIME 060-090  
CIRCUIT 2  
34.98.21.1

\*3-31.02.11.2  
\*4-36.14.11.1

-T TIME 060-090  
CIRCUIT 1  
31.92.42.1-2

-T TIME 060-090  
CIRCUIT 1  
\*5-36.31.01.2

\*6-32.48.11.2  
\*6-32.45.11.2  
\*7-44.15.01.2  
\*8-44.11.01.2  
\*9-46.37.31.1  
\*6-41.11.31.2  
\*6-41.50.01.2  
\*6-74.11.11.2

\*1-01B3B656  
01B4A02K  
02A0C07D  
02A7E25M  
\*9-01B3B02B

\*2-01B3B05F  
\*5-01B3B02B  
02B6A03J  
\*8-01B3C02M  
01A5D25B

\*3-01B3E02P  
01A6A25B  
02B8E03H  
02A9F11G

01A3B25L  
\*6-01B3F01C  
02B1C01C  
02A7E25M

01B2F01E  
01A7A26D  
\*7-01B3C02M  
02A7A26P

\*4-01B3C03K  
01A8F24K  
02A9F11G  
02B7C02P

COMMENTS

TAG DATE E.C.NO. TAG DATE E.C.NO. TAG DATE E.C.NO. TAG DATE E.C.NO.  
A 04-02-63 TA1607 B 04-17-63 TA1607B

IBM ENGLISH LABORATORIES  
WATSON CENTER  
U.S. GOVERNMENT PRINTING OFFICE

783807  
B



-T TIME 030-060  
31.92.12.1-2

-T TIME 030-060  
 \*3-35.28.31.2  
 — 34.31.16.2  
 \*3-74.11.11.2  
 \*3-36.49.11.2  
 \*3-34.18.51.2  
 \*3-32.48.11.2  
 \*3-32.45.11.2  
 \*3-41.58.61.2  
 \*4-42.66.03.2  
 \*5-44.15.01.2

-T TIME 000-030  
31.92.12.1-2

-T TIME 000-030  
 \*6-34.18.51.2  
 \*6-32.48.11.2  
 \*6-32.45.11.2  
 \*6-71.61.11.2  
 \*6-44.15.01.2  
 \*6-44.18.01.2  
 \*6-73.11.21.2  
 \*7-46.36.71.2  
 \*8-41.58.61.2  
 \*9-36.31.51.2  
 \*8-74.11.71.2  
 \*A-31.07.11.2  
 -T TIME 000-030  
 \* MOD D  
 \*B-77.01.11.2  
 -T TIME 000-030  
 \*C-77.01.11.2

\*1-01B3805J  
 01ABF24J  
 \*5-01B3C01R  
 01ABF24H  
 02A7A26R  
 02B1C01E  
 01A7C25K  
 02A0C026  
 02A8C23D

\*2-01B3805H  
 02A0C09C  
 02A9F19F  
 02A0B13D  
 \*7-01B3802R  
 \*9-01B3802R  
 01A7F25L  
 01B7D04D

\*3-01B3F01B  
 02B6A03H  
 02A7E26R  
 02A1D26R  
 01A5D25R  
 01A6A25R  
 01B2D02L  
 \*C-01B3F01A

01B1B03C  
 02B1C01B  
 \*6-01B3F01A  
 02A2D25E  
 \*8-01B3F01A  
 \*A-01B3F02L  
 \*B-01B3F01A  
 01A7A26B

01B6C01C  
 \*4-01B3F03C  
 01B6C01D  
 02B7A02L  
 02A0C016  
 01A2A18L  
 01A7A26B  
 01ABF24H

01A7A26C  
 06B7A13L  
 01A7A26B  
 02B7C02R  
 02B6A036  
 01A2A10K  
 01ABF24H  
 02A0C016

COMMENTS  
 NOTE WHEN A SIGNAL IS PRECEDED BY  
 AN ASTERISK, ITS EXPANSION INDICATES  
 CABLE WIRING FOR REMOTE RECYCLE CONTROL  
 INSTALLATION

TAG DATE E.C.NO.  
 A 18-06-62 TA1282A  
 E 07-15-63 TA1859B

TAG DATE E.C.NO.  
 B 03-08-62 TA13786

TAG DATE E.C.NO.  
 C 25-03-63 TA1713B

TAG DATE E.C.NO.  
 D 04-17-63 TA1771B

A

A

B

B

C

C

D

D

E

E

F

F

G

G

H

H

J

J

-T TIME 090-000  
31.01.11.2

\*2-31.01.11.2

\*2-34.21.41.2

\*2-44.11.01.2

\*2-44.34.21.2

\*2-41.50.51.2

\*5-70.11.21.2

\*4-46.37.31.2

-T TIME 090-000  
MOD D

\*5-44.34.21.2

-T TIME 090-000

\*6-52.00.11.2

\*7-36.01.31.2

\*5-74.31.41.2

-T TIME 090-000  
31.02.22.1--\*1

*1-01B3B5K	*2-01B3F0G	-----01B2F0F	-----01B6C0J	-----02A0H19C	-----02B6A84D
-----02F7A02J	-----02A8B26K	*5-01B3F0D	-----02A0B14G	-----02A2D24E	-----02B1C01J
*4-01B3B92K	-----01A5D25K	-----02A0B19C	*5-02A9B01K	-----01B7F01K	*6-01B3F0D
-----01B2F01F	-----01B2F02Q	-----91A7D26Q	-----01A7A23M	-----01A7A23M	*7-01B5C05A
-----01B4A02A					

COMMENTS

TAG DATE	E.C.NO.	TAG DATE	E.C.NO.	TAG DATE	E.C.NO.	TAG DATE	E.C.NO.
A 10-06-62	TA1282A	B 04-17-63	TA1771B				

IBM

A

A

-T TIME 015-045  
31.92.22.1--\*1

-T TIME 015-045  
\*4-74.21.41.2  
\*5-35.10.51.2  
\*6-77.01.21.2  
-T TIME 015-045  
\* MOD D  
\*7-77.01.21.2  
\*-T TIME  
015-045  
\*8-37.41.12.2

B

B

C

C

-T TIME 000-015  
31.92.22.1--\*2

-T TIME 000-015  
\*9-31.07.11.2  
\*9-32.45.31.2  
\*9-44.11.11.2  
\*9-41.50.11.2  
\*9-35.10.51.2  
\*9-70.61.41.2  
\*9-74.11.71.2

D

D

\*-T TIME 015-  
075 1311  
31.92.22.1--\*3

\*-T TIME 015-  
075 1311  
75.01.00.9

E

E

F

F

G

G

H

H

I

I

\*1-01B3B05H  
01A7E240  
\*6-01B3A03P  
02A9D03E  
01A3B25H  
02A2A26R

\*2-01B3B05L  
01A7C22K  
01B7C03J  
01B7D04B  
01A6F24L  
02B1C01F

\*3-01B3A05C  
02A0F11F  
01B7D01E  
\*8-01B3E016  
02A0B01D

\*4-01B3A020  
02B1F03K  
02A9D03E  
01B8C18  
02A0C13D

01A1F02Q  
\*5-01B3E016  
02ABC23B  
\*9-01B3F01E  
02E6A03E

01A1E03Q  
01A3C266  
\*7-01B3A03P  
01B2F016  
02B7A02K

NOTE ASTERISK PRECEDING SIGNAL INDICATES DIRECT CABLE EXPANSION

TAG DATE E.C.NO. TAG DATE E.C.NO. TAG DATE E.C.NO. TAG DATE E.C.NO.

A 04-02-63 TA1607 B 04-17-63 TA1607B

BRITISH LABORATORIES WINCHESTER U.S. FORM NO. 47-1013-1

15079



A

A

-T TIME 069-000  
31.92.32.11.31

-T TIME 049-000  
34.31.11.2B

\*4-36.84.11.2  
\*5-36.33.21.2

-T TIME 075-090  
31.92.32.11.32

-T TIME 075-090  
34.32.26.2

\*6-44.43.21.2C  
\*6-77.81.03.2  
\*6-74.31.21.2

-T TIME 030-090  
31.92.32.11.33

-T TIME 050-090  
34.31.11.2

D

D

E

E

F

F

G

G

H

H

J

J

\*1-0183005A \*2-0183A05A \*3-0183A05B \*4-0183F01M \*5-0183B026  
\*6-0183F01L 0186C07K 02A0B05F 02B7E02D 0181B03D 02B1C010

794003

COMMENTS

TAG DATE E.C.NO. TAG DATE E.C.NO. TAG DATE E.C.NO. TAG DATE E.C.NO.  
A 18-06-62 TA1282A B 07-09-62 TA1441A C 04-17-63 TA1771B

IBM  
WINCHESTER  
U.S. FORM NO. 24-7013-1

0798024

CLOCK DIST T TIME SECTION 7

140158A

31.12.41.2

A -T TIME 090-000  
NOT WM  
31.92.41.1-#1  
-T TIME 030-105  
31.92.41.1-#2

A -T TIME 090-000  
NOT WM  
\*6-32.46.11.2  
-T TIME 030-105  
\*7-31.02.41.2  
-T TIME 030-105  
\*8-44.91.61.1  
MOD D

-T TIME 075-105  
31.92.41.1-#3

-T TIME 075-105  
\*9-31.03.11.2

B

\*9-41.51.41.2  
\*9-77.01.11.2  
-T TIME 075-105  
\* MOD D  
\*9-77.01.11.2  
-T TIME 075-105  
\*A-32.45.31.2  
\*9-74.21.21.2

C

+U PROCESS  
31.02.41.2-#4

+U PROCESS  
\*B-31.92.41.1  
34.31.14.2

D

-T TIME 075-000  
31.92.41.1-#5

-T TIME 075-000  
\*C-41.50.11.2

E

\*D-36.31.01.1  
\*E-46.37.31.2  
34.33.13.2  
\*-T TIME  
075-000  
\*F-37.41.12.2  
-T TIME 075-000  
34.31.13.2  
\*D-36.31.31.2

F

G

H

J

\*1-01B3A05E  
01A7A26R  
\*8-01B3A05F  
02A0B09D  
01A1E03R  
02B1B10D  
\*E-01B3B02E

\*2-01B3A05F  
01A7C22R  
DIRECT  
02B6A03L  
01A7E24R  
\*C-01B3F01P  
01A5D25E

\*3-01B3A05G  
02A0F036  
01B7A09B  
02A0C23F  
01A7A23M  
02A0B15F  
\*F-01B3B02E

\*4-01B3B01R  
02B1F03R  
\*9-01B3F01N  
02B1C01H  
01A6A26M  
02B6A03F  
01B6R011

\*5-01B3A05H  
\*7-01B3E030  
01B2F01L  
\*A-01B3A02R  
\*B-01B3B01R  
\*D-01B3B02E

\*6-01B3A03R  
01B2E04Q  
01B7D04F  
01A1F02R  
DIRECT  
01A6A25E

NOTE WHEN A SIGNAL IS PRECEDED BY AN ASTERISK, ITS EXPANSTION INDICATES CABLE WIRING FOR REMOTE RECYCLE CONTROL INSTALLATION

COMMENTS  
TAG DATE E.C.NO.  
A 04-02-63 TA1607

TAG DATE E.C.NO.  
B 04-17-63 TA1607B

TAG DATE E.C.NO.

TAG DATE E.C.NO.

IBM  
INTERNATIONAL BUSINESS MACHINES CORPORATION  
U.S. GOVERNMENT PRINTING OFFICE

121070  
1001

0794885

CLOCK DIST Y TIME SECTION B

140158A

31.12.62.2

A

A

B

B

C

C

D

D

E

E

F

F

G

G

H

H

I

I

-T TIME 090-105  
31.92.42.1-81

-T TIME 105-000  
31.92.42.1-82

-T TIME 090-105  
\*3--44.11.01.2

\*4--31.04.11.2

\*4--44.34.21.2

\*4--32.45.31.2

\*4--41.11.11.2

-T TIME 090-105  
\*4--56.12.11.2

\*9--35.17.71.2

\*4--75.01.02.2

-T TIME 105-000  
\*A--42.65.01.2

\*B--4.10.21.2

\*B--46.10.01.2

\*B--41.11.11.2

\*B--41.51.01.2

\*F--56.15.11.2

\*1--01B3A05J  
01B2F01J  
02A0B26P  
02A0C01E  
\*F--01B3C03E

\*2--01B3A05K  
01A7A26E  
\*9--01B3E01A  
02B6A03M  
01B4A02E

\*3--01B3B04A  
01A0F24M  
01A3C26A  
02B9E03G  
01B4C04J

02A9E01A  
01B7C03D  
\*A--01B3F03A  
02B7E02C  
01B7C01J

02B7B02A  
02A0B05D  
00B7A13A  
02B7C02M

\*4--01B3F01J  
02B0F03C  
\*B--01B3E02M  
02A7A26M

COMMENTS

TAG DATE E.C.NO. TAG DATE E.C.NO. TAG DATE E.C.NO. TAG DATE E.C.NO.  
A 18-06-62 TA1282A B 04-17-63 TA1771B C 06-05-63 TA1815D

IBM BRITISH LABORATORIES WIMBORNE ENGLAND U.K. FORM NO. 611-90181

794035  
18151

0794006

CLOCK DIST U TIME SECTION 1

14615BA

31.12.51.2

A

+U TIME 000-030  
31.92.51.1--\*1

B

C

+U TIME 030-060  
31.92.51.1--\*2

D

-T TIME 000-060  
31.92.51.1--\*3

E

F

G

H

+U TIME 000-030

\*A--31.92.41.2

\*B--32.59.21.2

\*B--32.62.21.2

\*B--41.50.21.2

\*5--37.31.21.2

\*6--76.51.31.2

\*6--75.01.37.2

\*7--36.19.11.2

\*8--42.65.02.2

\*4--74.21.11.2

+U TIME 000-030

\* MOD D

\*9--77.50.11.2

A

+U TIME 030-060

\*A--40.37.81.2

\*B--36.44.11.2

\*B--31.01.11.2

\*B--32.39.21.2

\*B--32.62.21.2

\*B--76.61.31.2

\*B--75.01.02.2

\*C--36.31.41.1

\*D--36.19.11.2

\*B--74.21.71.2

\*B--55.13.11.2

\*E--34.11.31.2

D

-T TIME 000-060

\*F--36.36.41.1

\*G--41.50.01.2

E

\*1--01B3A05L  
01ABE25D  
02A0B024H  
02A0B196  
04B7A133B  
\*A--01B3B024H  
01A3D25P  
02B1C01R  
01B3F02Q

\*2--01B3A05M  
02A0C11C  
\*5--01B3D02P  
02A0B027A  
\*9--01B3F01R  
01A5D025M  
01A7A26F  
\*C--01B3A02H  
01E1A03C  
01B1A03Q

\*3--01B3A05N  
02B6A03B  
01B1E02P  
02A2B027H  
02A0B0196  
\*B--01B3E02A  
01ABF25N  
01A6A27H  
01B6D01C  
02A0F17A

\*4--01B3F01R  
01B3F01R  
\*7--01B3F01R  
01B3F01R  
\*1--01B3F01R  
\*2--01B3F01R  
\*3--01B3F01R  
\*4--01B3F01R  
\*5--01B3F01R  
\*6--01B3F01R  
\*7--01B3F01R  
\*8--01B3F01R  
\*9--01B3F01R

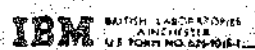
01B2F01N  
02A2B027H  
01B3A05L  
01B3A05M  
01B3A05N  
01B3A05P  
01B3A05Q  
01B3A05R  
01B3A05S  
01B3A05T  
01B3A05U  
01B3A05V  
01B3A05W  
01B3A05X  
01B3A05Y  
01B3A05Z

01A7A26H  
02A2B027H  
\*6--01B3F01R  
\*8--01B3F01R  
01B3A05L  
01B3A05M  
\*E--01B3E02A  
\*F--01B3E02A  
\*G--01B3D02P

NOTE WHEN A SIGNAL IS PRECEDED BY AN ASTERISK, ITS EXPANSION INDICATES CABLE WIRING FOR REMOTE RECYCLE CONTROL INSTALLATION

TAG DATE E.C.NO. TAG DATE E.C.NO.  
A 09-02-63 TA168T B 09-17-63 TA168TB

TAG DATE E.C.NO. TAG DATE E.C.NO.  
C 09-02-63 TA168TC D 09-17-63 TA168TD



2-16076



U TIME 000-015

\*3--71.31.21.2

\*3--70.51.31.2

\*3--55.15.51.1

\*3--56.10.91.2

\*3--75.01.32.2

U TIME 060-090

\*4--56.33.21.1

\*5--32.42.11.2

\*5--41.11.31.2

\*5--41.51.51.2

\*6--30.14.11.2

\*5--56.12.11.2

\*5--75.21.02.2

34.31.13.2

\*7--32.59.21.2

\*8--73.11.71.2

U TIME 060-090

\* MOD D

\*9--77.10.21.2

U TIME 060-090

\*8--74.31.61.2

A U TIME 000-015  
31.92.61.1--\*1

B U TIME 060-090  
31.92.61.1--\*2

\*1--01B3A05P  
02ABD23B  
01B7C03E  
02ABC24B  
01ABD25J  
01B7D046

\*2--01B3A050  
02A1D26A  
01ABF24P  
01BBA00Z  
01A7B26J  
01B7D03B

\*3--01B3E02D  
02A2B24F  
02A0B17D  
\*6--01B3C03C  
\*B--01B3E02B  
01B3A00Z

01A3F24P  
\*4--01B3B02C  
02B5A03A  
01B4A02C  
02A9C01D

01B7C036  
01A6A25C  
02B8E03B  
\*7--01B3E02B  
02A2D25D

02A0B11D  
\*5--01B3E02B  
02A0D23E  
01ABF24P  
\*9--01B3E02B

NOTE: WHEN A SIGNAL IS PRECEDED BY AN ASTERISK, ITS EXPANSION INDICATES CABLE WIRING FOR REMOTE RECYCLE CONTROL INSTALLATION

COMMENTS TAG DATE E.C.NO. TAG DATE E.C.NO. TAG DATE E.C.NO. TAG DATE E.C.NO. TAG DATE E.C.NO.  
A 18-06-62 TA1292A B 03-08-62 TA13706 C 05-11-62 TA1578A D 25-03-64 TA1713B

1713 B  
794087

U TIME 105-000  
31.92.62.1-71

A

U TIME 105-000  
36.01.11.2

A

\*4-75.01.02.2

U TIME 090-000  
75.01.02.2

\*5-36.48.21.2

\*5-31.03.31.2

\*5-34.10.41.2

\*5-32.46.11.2

\*5-32.42.11.2

\*5-41.51.21.2

\*6-42.66.03.2

\*7-44.15.01.2

\*5-44.70.21.2

\*5-74.11.71.2

\*8-74.61.03.2

\*8-74.60.20.2

U TIME 090-000  
31.92.62.1-72

B

B

C

C

D

D

E

E

F

F

G

G

H

H

J

J

\*1-01B3A05R  
02A8D23J  
01A8F240  
06B7A16L  
01B1D03P

\*2-01B3A04J  
\*5-01B3E02C  
02A0B19D  
\*7-01B3C02L  
01A5B25P

\*3-01B3B02P  
01B1B03E  
02B6A03C  
02A9F096  
01A5E26N

01A6A25P  
01B2F01P  
02A8D236  
02A7E25L  
02A9C156

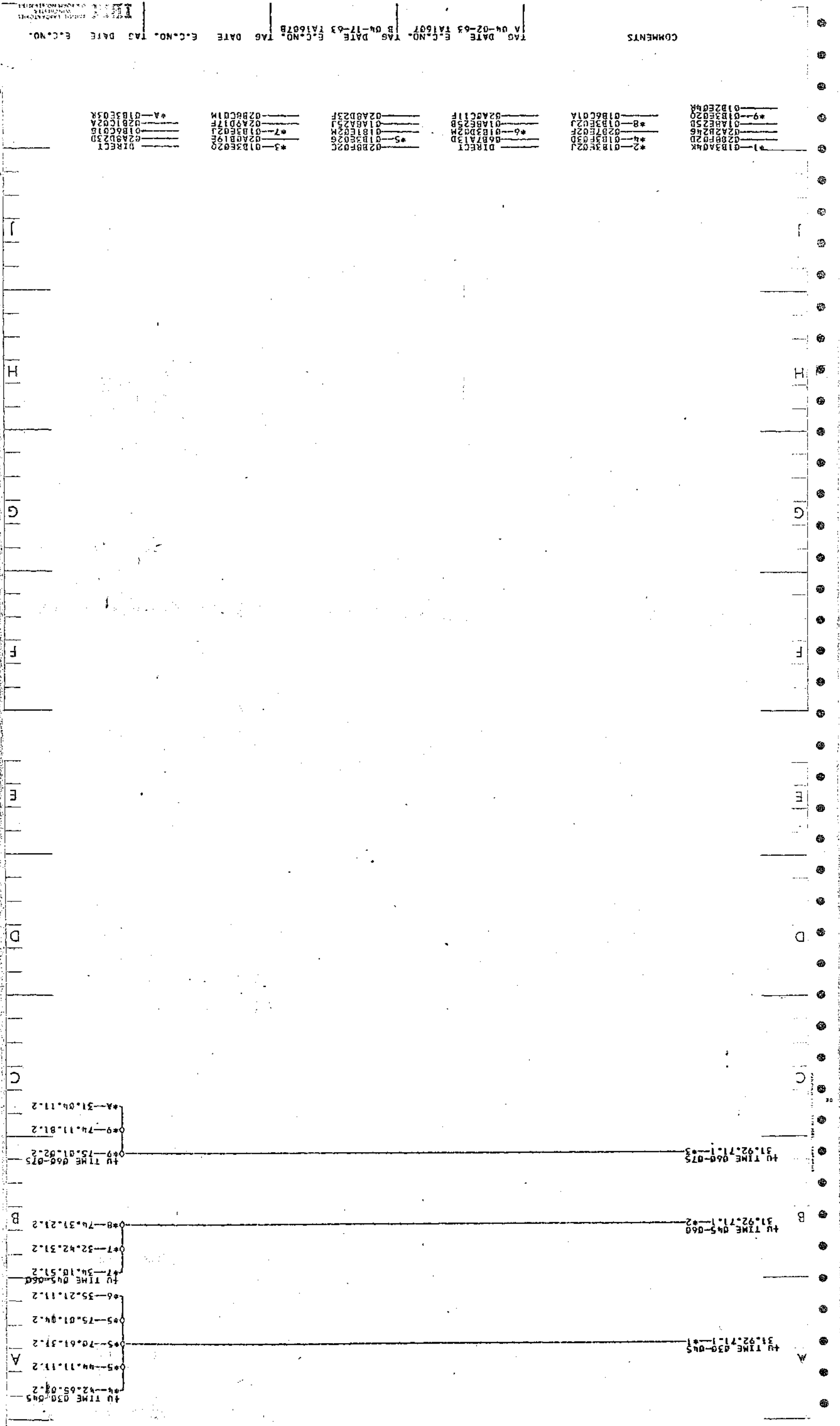
\*4-01B3E02R  
01B6C01B  
02B1C01P  
\*8-01B3E02C

02A8C07F  
01A7A266  
\*6-01B3A01L  
01B1B05E

COMMENTS

TAG DATE E.C.NO. TAG DATE E.C.NO. TAG DATE E.C.NO. TAG DATE E.C.NO.  
A 04-02-63 TA1607 B 04-17-63 TA1607B

2-1607 B  
72002



COMMENTS

TAG DATE E.C.NO. TAG DATE E.C.NO. TAG DATE E.C.NO. TAG DATE E.C.NO. TAG DATE E.C.NO. TAG DATE E.C.NO.  
 A 04-02-63 TA1607 B 04-17-63 TA1607B

- \*1- 01B3A04K
- 0208F02D
- 02A2B246
- 01ABE25D
- 01B3E020
- 01B2E04A
- \*2- 01B3E02J
- 01B3F03D
- \*4- 01B3E02F
- \*8- 01B3E02J
- 01B6C01A
- 02B7A13D
- 01B3D02M
- \*6- 01B3D02M
- 01ABE25B
- 02A0C11F
- 02B8F02C
- \*5- 01B3E026
- 01B3E026
- 01B1E02M
- 01A8A25J
- 01A8A25J
- 02A8D23F
- \*3- 01B3E020
- 02A0B19E
- \*7- 01B3E02J
- 02A9D17F
- 02B8C01M
- \*A- 01B3E03K
- 02A9D23D
- 01B6C01B
- 02B1C02A
- 02B1C02A
- DIRECT

INDISBA

0794000

CLOCK DIST U TIME SECTION 5

1401SBA

31.12.01.2

A

A

B

B

C

C

D

D

E

E

F

F

G

G

H

H

J

J

\*1-01B3A91C  
 \*3-01B3D04M  
 \*6-01B3A81C  
 \*9-01B3C020  
 01B4A020  
 01B6C01H

DIRECT  
 \*4-01B3E02L  
 06B7A16C  
 02A9F176  
 01B4C04D  
 \*E-01B3F02L

02B8F02F  
 DIRECT  
 \*7-01B3B02J  
 02A7E250  
 01B7C01D  
 01B2F01C

\*2-01B3B02J  
 02B8F02H  
 01A6A25J  
 \*A-01B3B02J  
 \*C-01B3B02J  
 02A0C07C

DIRECT  
 \*5-01B3E02K  
 \*B-01B3E02E  
 01A5D25J  
 01B8R008  
 02B8E03F

02B8F026  
 01A8E25C  
 01A8F248  
 \*B-01B3C030  
 \*D-01B3E02A

NOTE: WHEN A SIGNAL IS PRECEDED BY AN ASTERISK, ITS EXPANSION INDICATES CABLE WIRING FOR REMOTE RECYCLE CONTROL AND/OR 1311 INSTALLATION

COMMENTS TAG DATE E.C.NO. TAG DATE E.C.NO. TAG DATE E.C.NO. TAG DATE E.C.NO.

A 04-02-63 TA1607 B 04-17-63 TA1607B

IBM SYSTEMS CORPORATION  
 1000 N. WASHINGTON AVENUE  
 ARMONK, N.Y. 10504

1001-5

A

A

B

B

C

C

D

D

E

E

F

F

G

G

H

H

J

J

T TIME 090-030  
31.02.91.1-21

U TIME 075-185  
31.02.91.1-22

T TIME 090-030  
 \*3-70.11.11.2  
 \*3-70.11.01.2  
 \*3-41.11.31.2  
 \*3-41.11.31.2  
 \*4-31.03.31.2  
 \*4-41.11.11.2  
 \*4-70.11.21.2  
 \*4-31.13.13.2  
 \*4-31.13.14.2  
 \*4-70.11.70.2

\*1-0183A30  
\*2-0183A30  
\*3-02AC03D

DIRECT  
02A0C03E  
02A2B24C

\*2-0183E2K  
\*3-02A2B24D  
\*3-02B0E034

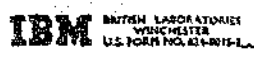
\*2-0183E2F  
\*3-02B0E03E

DIRECT  
\*4-0183E02F

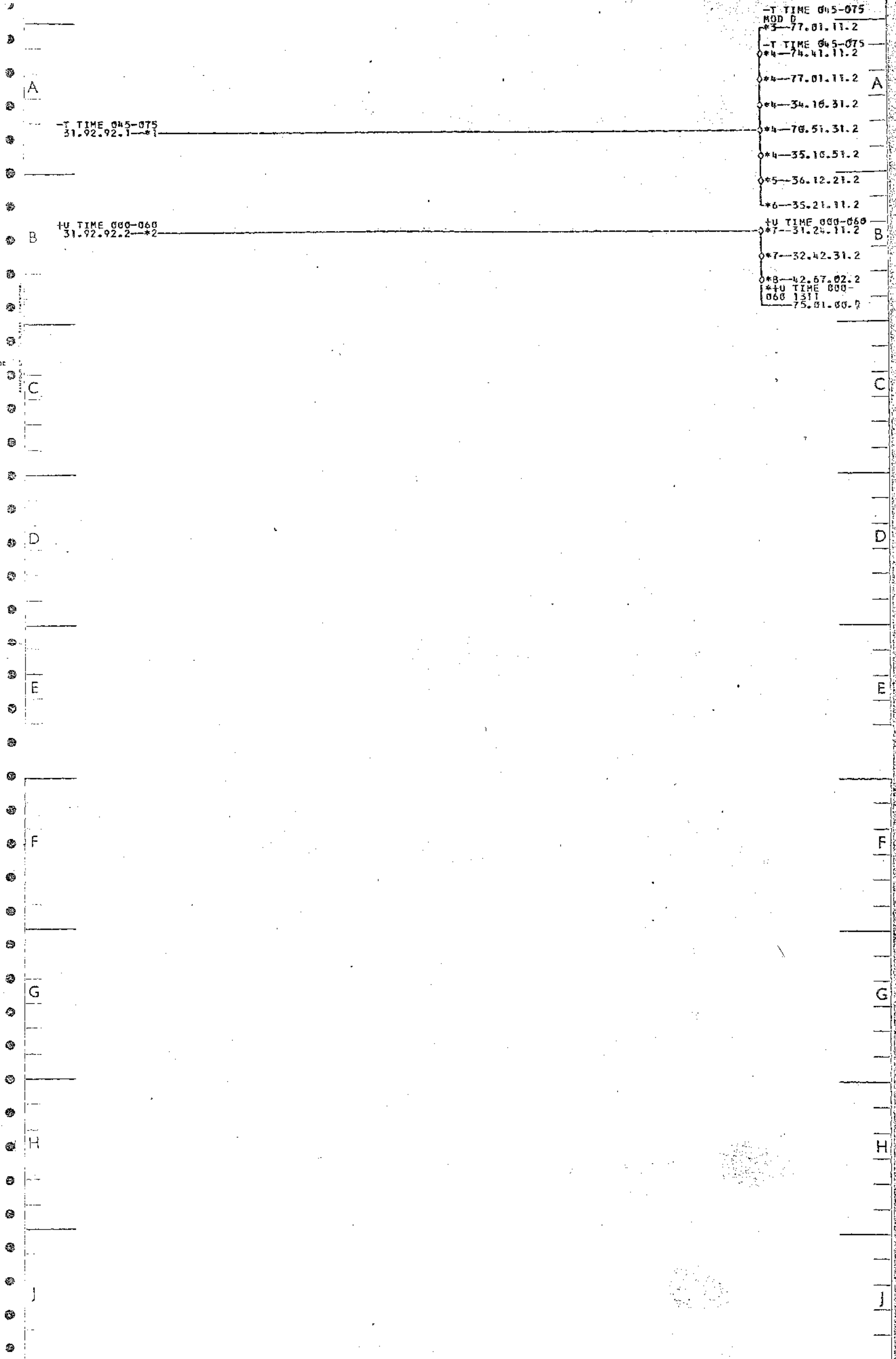
02B0E02L  
0182F01R

COMMENTS      TAG DATE    E.C.NO.    TAG DATE    E.C.NO.    TAG DATE    E.C.NO.    TAG DATE    E.C.NO.

A 04-82-83 YA1607    B 04-17-83 YA1607B



1607 B

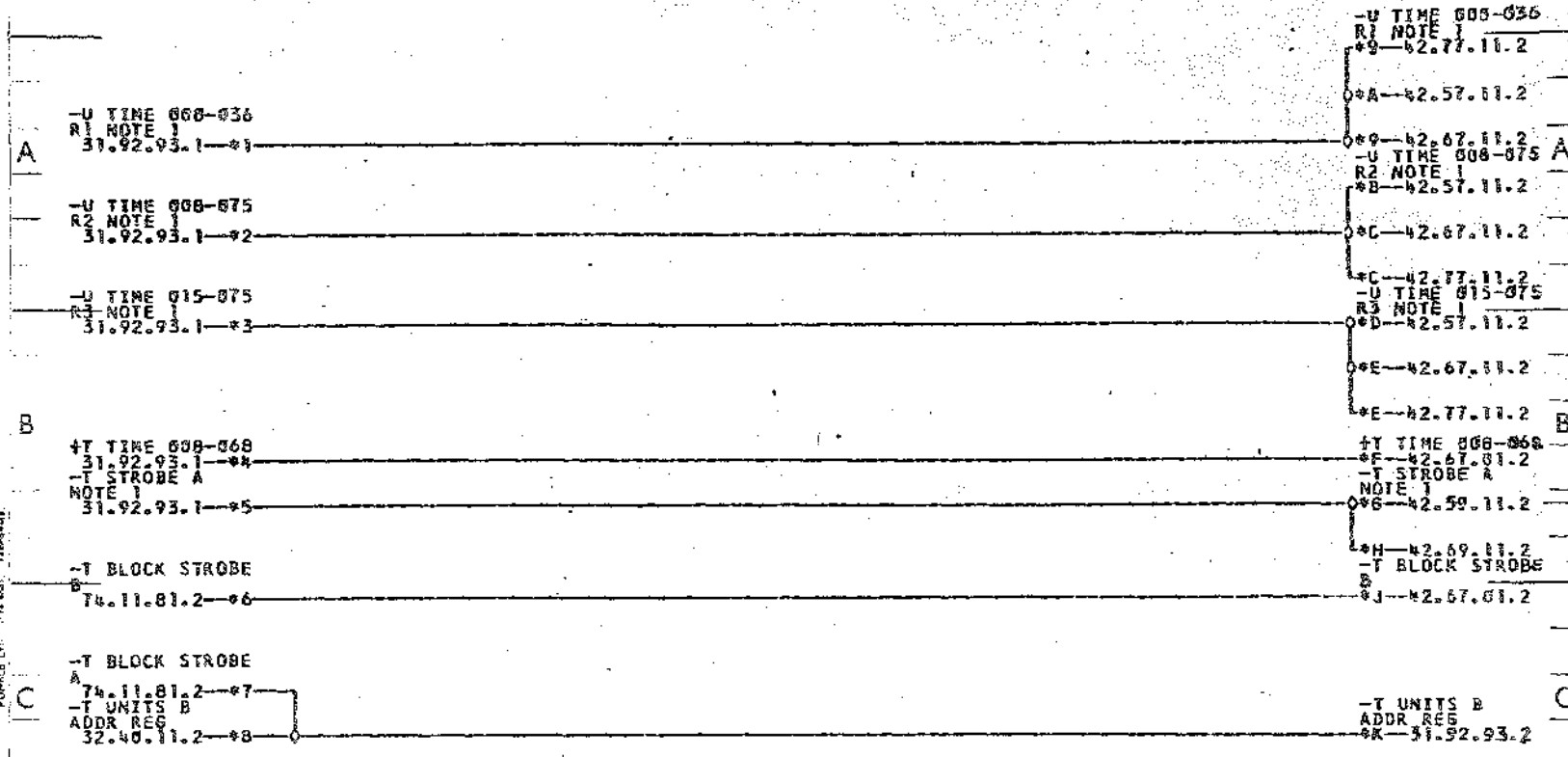


- T TIME 045-075
- MOD 0
- \*3-77.01.11.2
- T TIME 045-075
- \*4-74.41.11.2
- \*4-77.01.11.2
- \*4-34.16.31.2
- \*4-76.51.31.2
- \*4-35.16.51.2
- \*5-36.12.21.2
- \*6-35.21.11.2
- +U TIME 000-060
- \*7-31.24.11.2
- \*7-32.42.31.2
- \*8-42.67.02.2
- +U TIME 000-060
- 060 1311
- 75.01.00.0

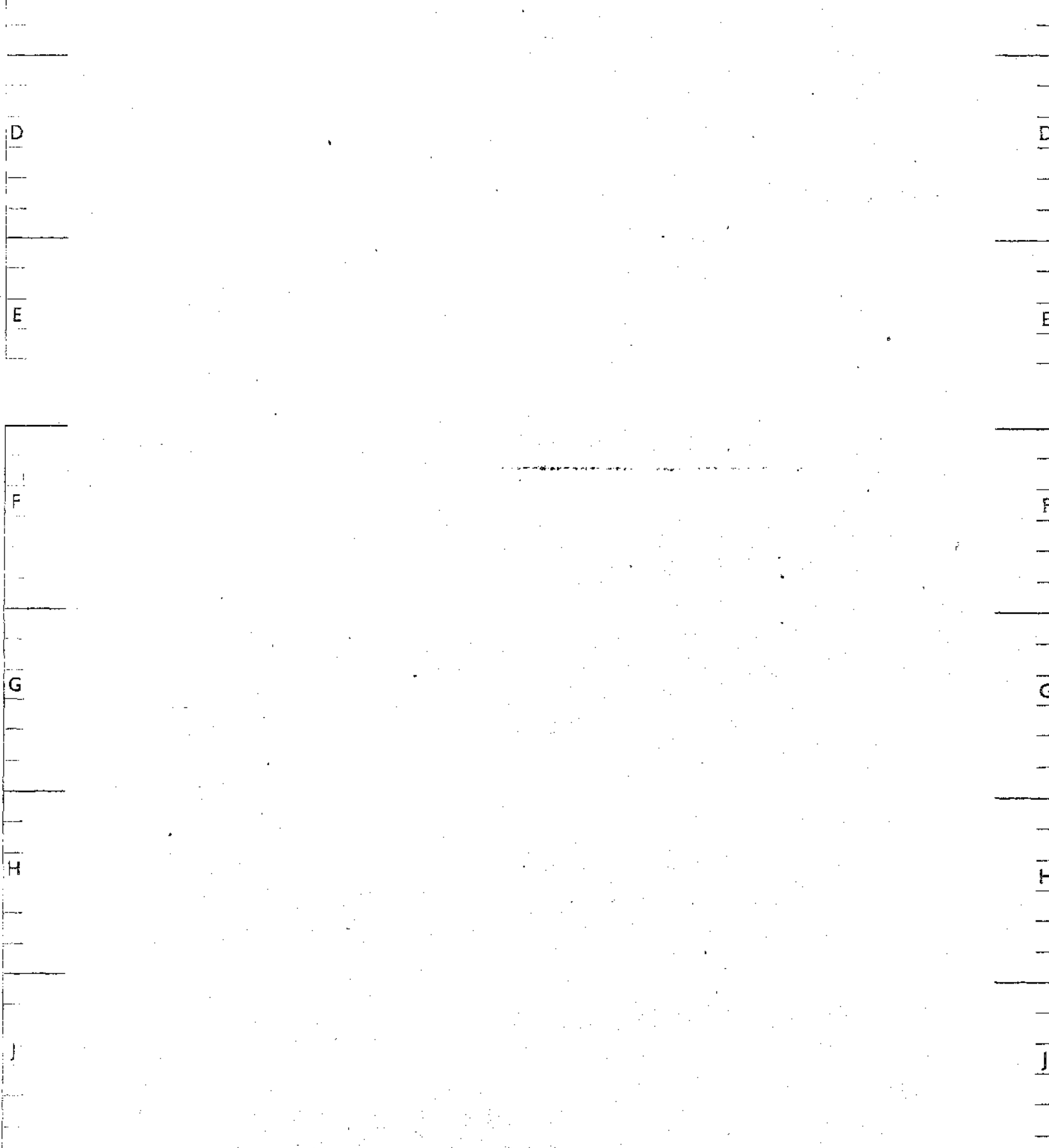
- \*1-0183F01K
- \*3-0183F01K
- \*1A3B250
- \*1B4A02G
- \*8-0183A01B
- DIRECT
- 01A3B250
- 01B6C01E
- \*6-01B3D02L
- 06B7A16B
- 02BBF02M
- 01B6C01E
- 02A0B07D
- 01B1E02L
- \*2-01B3E02H
- 02A0B07D
- 02A2B24L
- \*7-01B3E02H
- DIRECT
- 01B7F03L
- 02ABE23L
- 01A8E25A
- 02BBF02N
- \*4-01B3F01K
- \*5-01B3C03G
- 01B2F01A

COMMENTS  
NOTE ASTERISK PRECEDING SIGNAL  
INDICATES DIRECT CABLE EXPANSION

TAG	DATE	E.C.NO.	TAG	DATE	E.C.NO.	TAG	DATE	E.C.NO.	TAG	DATE	E.C.NO.
A	04-02-63	TA1607	B	04-17-63	TA1607B						



XXXX  
XXXX  
XXXX



\*1-01B3A02A  
\*2-01B3A02B  
\*3-01B3A02C  
\*4-01B3A02D  
\*5-01B3A02E  
\*6-01B3A02F

DIRECT  
\*7-01B3A02G  
\*8-01B3A02H  
\*9-01B3A02I  
\*A-01B3A02J  
\*B-01B3A02K

0288F020  
\*5-01B3A02L  
\*6-01B3A02M  
\*7-01B3A02N  
\*8-01B3A02O  
\*9-01B3A02P

\*2-01B3A02Q  
\*3-01B3A02R  
\*4-01B3A02S  
\*5-01B3A02T  
\*6-01B3A02U  
\*K-01B3A02V

DIRECT  
\*7-01B3A02W  
\*8-01B3A02X  
\*9-01B3A02Y  
\*A-01B3A02Z  
\*B-01B3A030

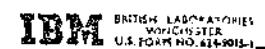
0288F02R  
\*8-01B3A031  
\*9-01B3A032  
\*A-01B3A033  
\*B-01B3A034  
\*C-01B3A035

NOTE 1 TIMINGS AND ALLOWABLE TOLERANCES OF STORAGE PULSES ARE FOUND ON THE REFERENCE LOGIC 42.40.53.2

COMMENTS TAG DATE E.C.NO. A 04-02-63 TA1607

B 04-11-63 TA1607B

TAG DATE E.C.NO. TAG DATE E.C.NO. TAG DATE E.C.NO.



789943  
14615BA  
31.12.93.2

A

A

B

B

†T NOT 2 THOU  
31.92.94.1--\*1

SIGNAL GROUND  
31.92.94.1--\*2

-U TIME 068-105

Z1 NOTE 1  
31.92.94.1--\*3

†T NOT 2 THOU  
42.67.02.2

SIGNAL GROUND  
42.67.02.2

-U TIME 068-105

Z1 NOTE 1  
42.58.11.2

SIGNAL GROUND  
31.92.94.1--\*4

†T 2 THOU  
31.92.94.1--\*5

†T TIME 068-105  
31.92.94.1--\*6

-U TIME 068-105

Z2 NOTE 1  
31.92.94.1--\*7

-U TIME 068-105

NOTE 1  
31.92.94.1--\*8

SIGNAL GROUND  
42.67.02.2

†T 2 THOU  
42.67.02.2

†T TIME 068-105  
42.67.02.2

-U TIME 068-105

Z2 NOTE 1  
42.58.11.2

-U TIME 068-105

NOTE 1  
42.58.11.2

D

D

†U DC COMMON  
00.00.00.2--\*9

†U DC COMMON  
42.67.02.2

E

E

-T HB ADDR REG  
32.38.21.2--\*A

-T HB ADDR REG  
31.92.94.1

F

F

G

G

†T Z CONTROL  
42.67.02.2--\*B

†T Z CONTROL  
31.92.94.1

H

H

\*I-01B3C04D  
\*T-01B3C04M  
\*C-01B3A01D  
\*F-01B3F03J  
\*K-01B3A02F  
02BBA03C

\*2-01B3C04E  
\*B-01B3A04N  
06B7A16D  
\*G-01B3A01J  
01A1F02F  
\*P-01B3C04H

\*4-01B3C04G  
\*9-01B3A01P  
\*D-01B3A02J  
\*H-01B3A01E  
\*L-01B3A02H  
02BBA03H

\*3-01B3C040  
\*A-01B3A03A  
01A1F02J  
01A1F02H

\*5-01B3C04F  
\*8-01B3A01F  
\*E-01B3A02E  
\*J-01B3A01A  
\*R-01B3C04R

\*6-01B3C04L  
06B7A16E  
01A1F02E  
06B7A16A  
\*N-01B3C04C

NOTE 1 TIMING AND ALLOWABLE TOLERANCES OF STORAGE PULSES ARE FOUND ON REFERENCE LOGIC 42.46.53.2

COMMENTS

TAG DATE E.C.NO.  
A 04-02-63 TA1607

TAG DATE E.C.NO.  
B 04-17-63 TA1607B

TAG DATE E.C.NO.

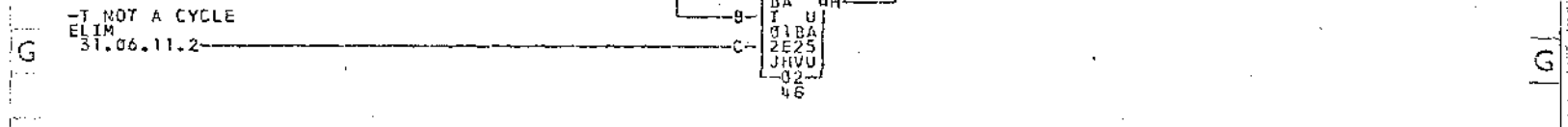
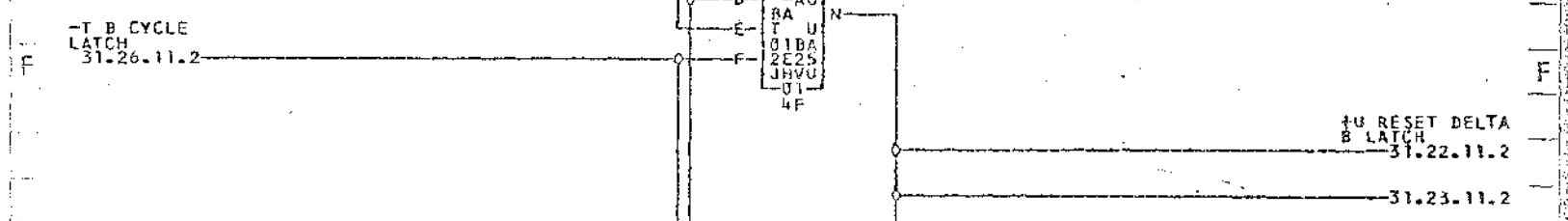
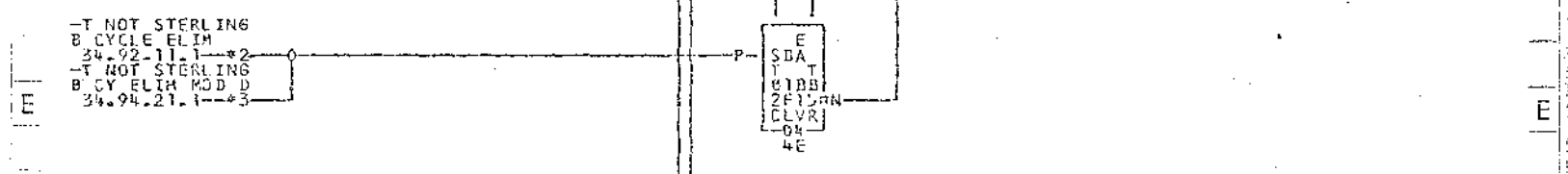
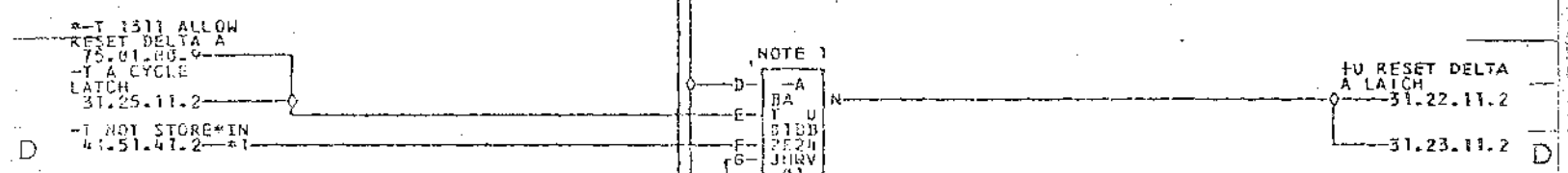
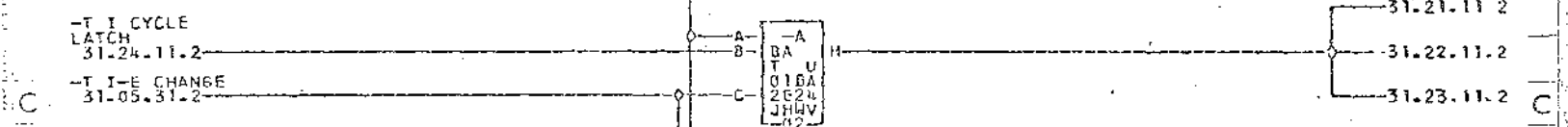
TAG DATE E.C.NO.

IBM BRITISH LABORATORIES

470001  
1507



A A



H H

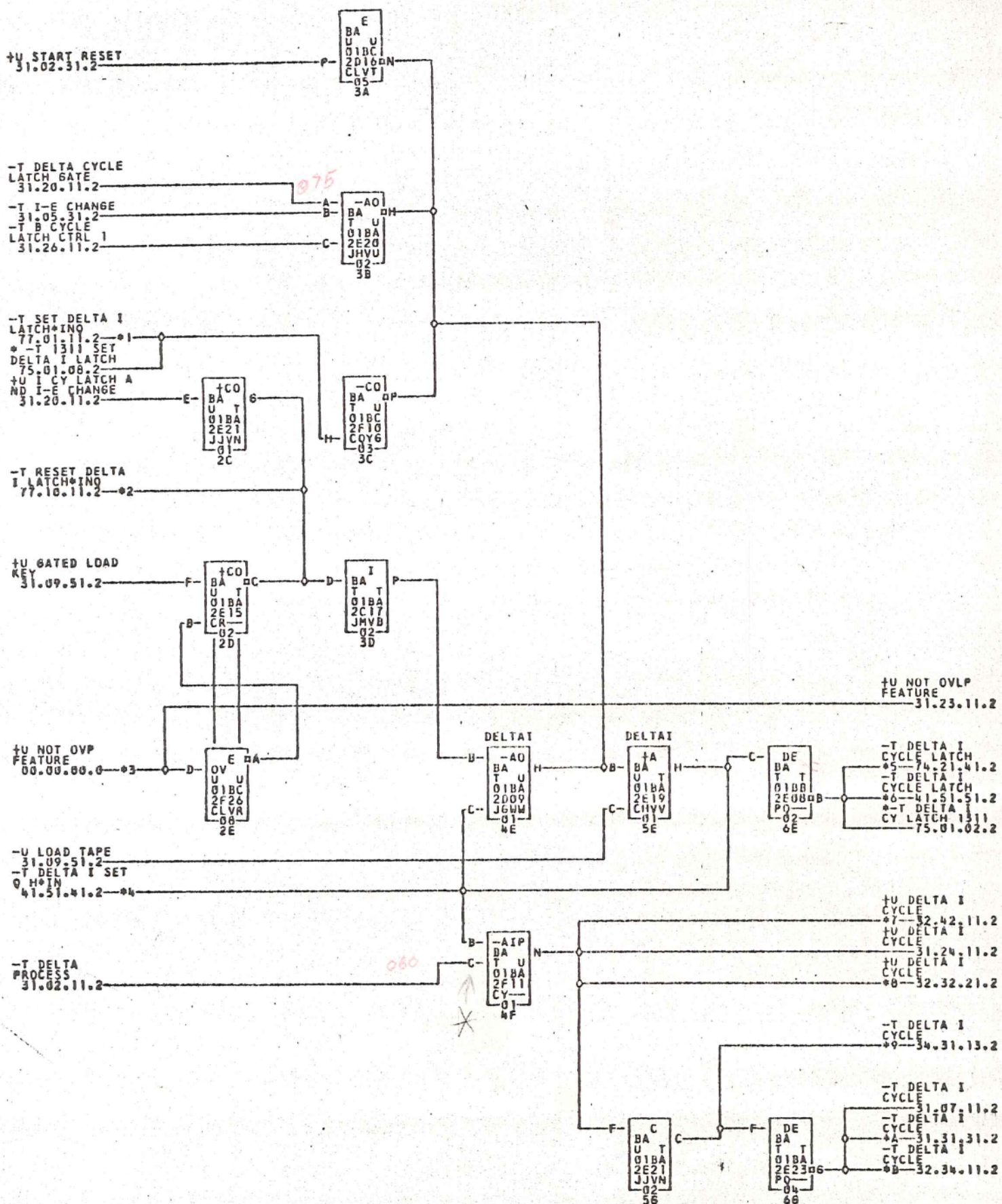
\*1-01B2A02B 01BTA09P    \*2-01B2F15P    DIRECT    02B0D18P    \*3-01B2F15P    DIRECT

COMMENTS  
 NOTE1 A CYCLE LATCH SIGNAL IS REMOVED WITH 1311 FEATURE ATTACHED  
 NOTE ASTERISK PRECEDING SIGNAL INDICATES DIRECT CABLE EXPANSION

TAG	DATE	E.C.NO.	TAG	DATE	E.C.NO.	TAG	DATE	E.C.NO.	TAG	DATE	E.C.NO.
A	04-02-63	TA1687	B	04-17-63	TA1687B						

IBM BRITISH LABORATORIES WINGATE U.S. FORM NO. 616-11-1

1607 B  
 10001



\*1-01B2F05A  
 02A0A03B  
 01A0D20C  
 01B0B01N

\*2-01B00753  
 02B1C03N  
 \*8-01B2D02F  
 \*B-01B2F02N

01B2F05K  
 \*6-01B2A01N  
 01A7F25F

\*3-01B2F26M  
 02A0D19D  
 \*9-01B2E04D

\*4-01B2A01L  
 02B2A01M  
 01B3E03D

\*5-01B2D05M  
 \*7-01B2D01C  
 \*A-01B2E01N

NOTE: ASTERISK PRECEDING SIGNAL INDICATES DIRECT CABLE EXPANSION

TAG DATE	E.C.NO.	TAG DATE	E.C.NO.	TAG DATE	E.C.NO.	TAG DATE	E.C.NO.
A 12-15-61	113530	B 06-04-62	114146	C 12-10-62	116170	D 05-28-63	114196

1917 A  
 720070

0729071

DELTA A CYCLE

1481

31.22.11.2

TAG DATE

A 5.4.62  
TA 1233B

B 5.3.63  
TA 1771A

-T DELTA  
PROCESS  
31.02.11.2

+U RESEY DELTA  
LATCH  
31.20.11.2  
+U NOT I-E  
CHANGE  
31.05.31.2

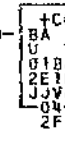
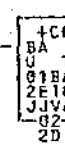
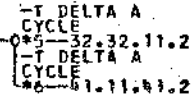
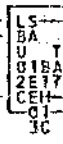
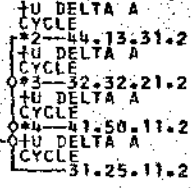
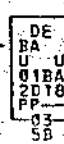
+U 1 CY LATCH  
AND I-E CHANGE  
31.20.11.2  
+U NOT A CYCLE  
ELIX  
31.06.11.2

-U LOAD TAPE  
31.09.51.2

-T RESEY DELTA  
A LATCH\*IN  
41.51.11.2 \*1  
-T RESEY DELTA  
A LATCH  
77.01.11.2 \*7

+U RESEY DELTA  
A LATCH  
31.20.11.2

+U START RESEY  
31.02.31.2

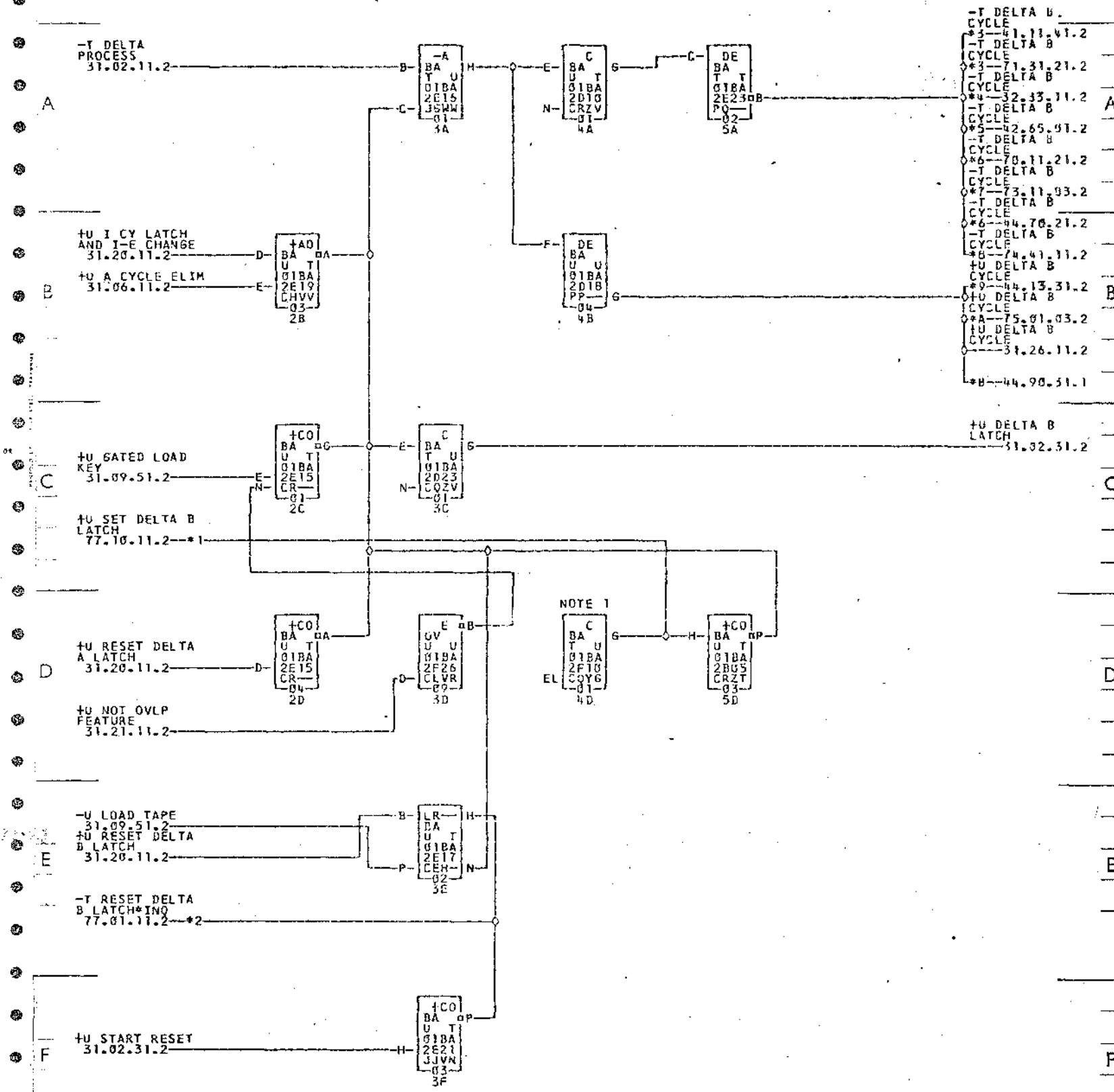


- \*1-01B2A02A
- \*2-01B2A01N
- 02A9F13C
- \*5-02B1E01N
- \*3-01B2D02E
- \*6-01A7F25E
- \*4-01B2A01J
- 02AGD11D
- 02B6A01J
- \*5-01B2F02L
- 01A7D26L
- 01B2B04J
- 01B4E01J
- 01B4F02Q
- 02A9E03B
- 02B8F01Q

COMMENTS

TAG DATE	E.C.NO.	TAG DATE	E.C.NO.	TAG DATE	E.C.NO.	TAG DATE	E.C.NO.
A 12-15-61	113530	B 12-10-62	118178				

1771A

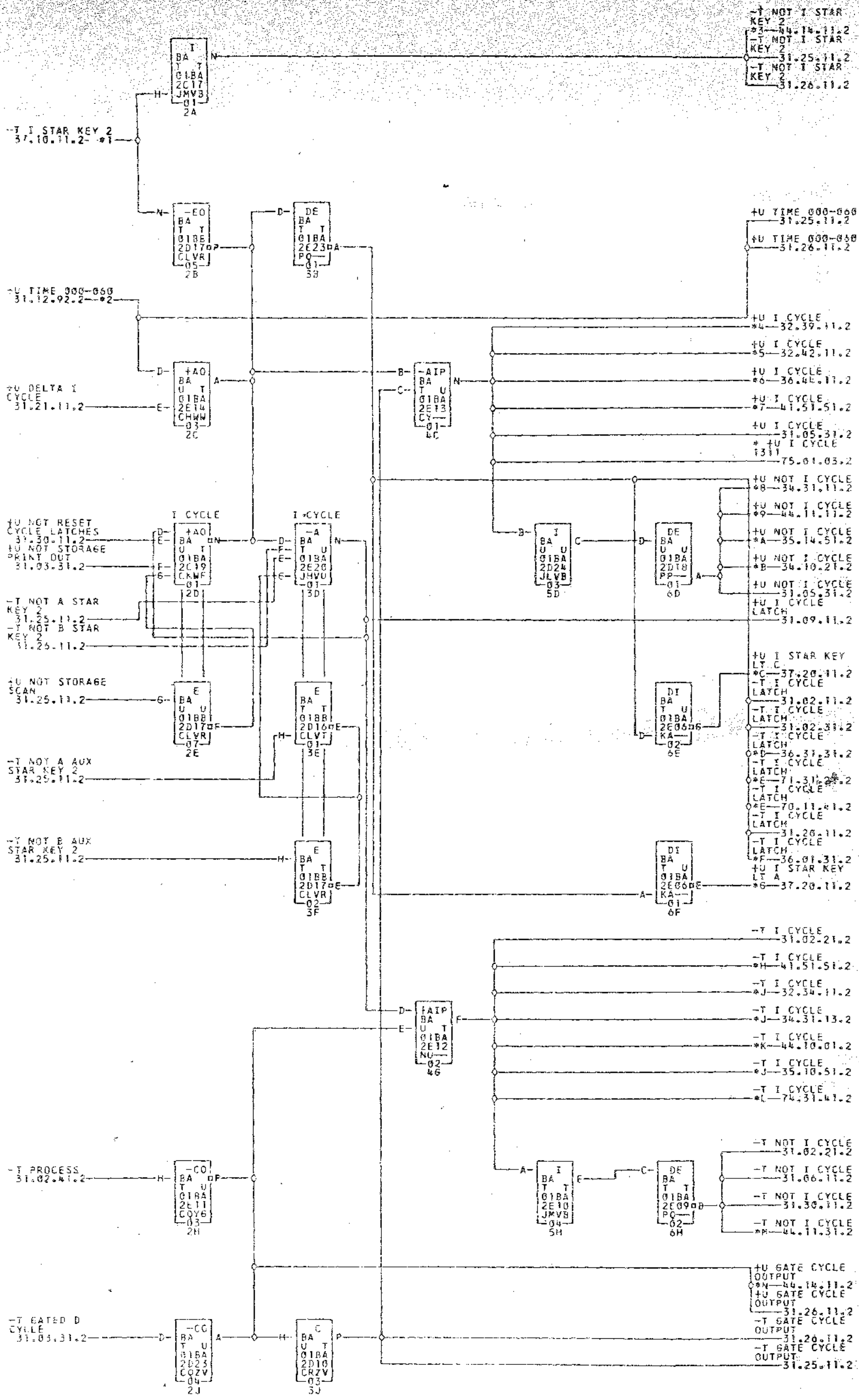


- T DELTA B CYCLE
- \*3-41.11.11.2
- T DELTA B CYCLE
- \*3-71.31.21.2
- T DELTA B CYCLE
- \*4-32.33.11.2
- T DELTA B CYCLE
- \*5-42.65.01.2
- T DELTA B CYCLE
- \*6-70.11.21.2
- T DELTA B CYCLE
- \*7-73.11.03.2
- T DELTA B CYCLE
- \*6-84.70.21.2
- T DELTA B CYCLE
- \*8-74.41.11.2
- +U DELTA B CYCLE
- \*9-44.13.31.2
- +U DELTA B CYCLE
- \*A-75.01.03.2
- +U DELTA B CYCLE
- 31.26.11.2
- \*B-44.90.51.1

+U DELTA B LATCH  
31.32.51.2

*1-01B0766	01B2F05M	*2-01B0750	01B2F05L	*3-01B2C036	02A0007G
02A1D206	*4-01B2F02M	01A7D26M	*5-01B2E05D	06B7A12D	*6-01B2C01J
02A0D11F	02A2A24J	02A2A23F	02B6F01F	*7-01B2C05C	01B6E04M
*8-01B2C036	02A0D076	02B1D02D	*9-01B2B036	02A9F01D	02B7B016
*A-01B2B036	02A9F01D	02B7B016	02A8F23D	*8-01B2B036	DIRECT
02B0E20A					

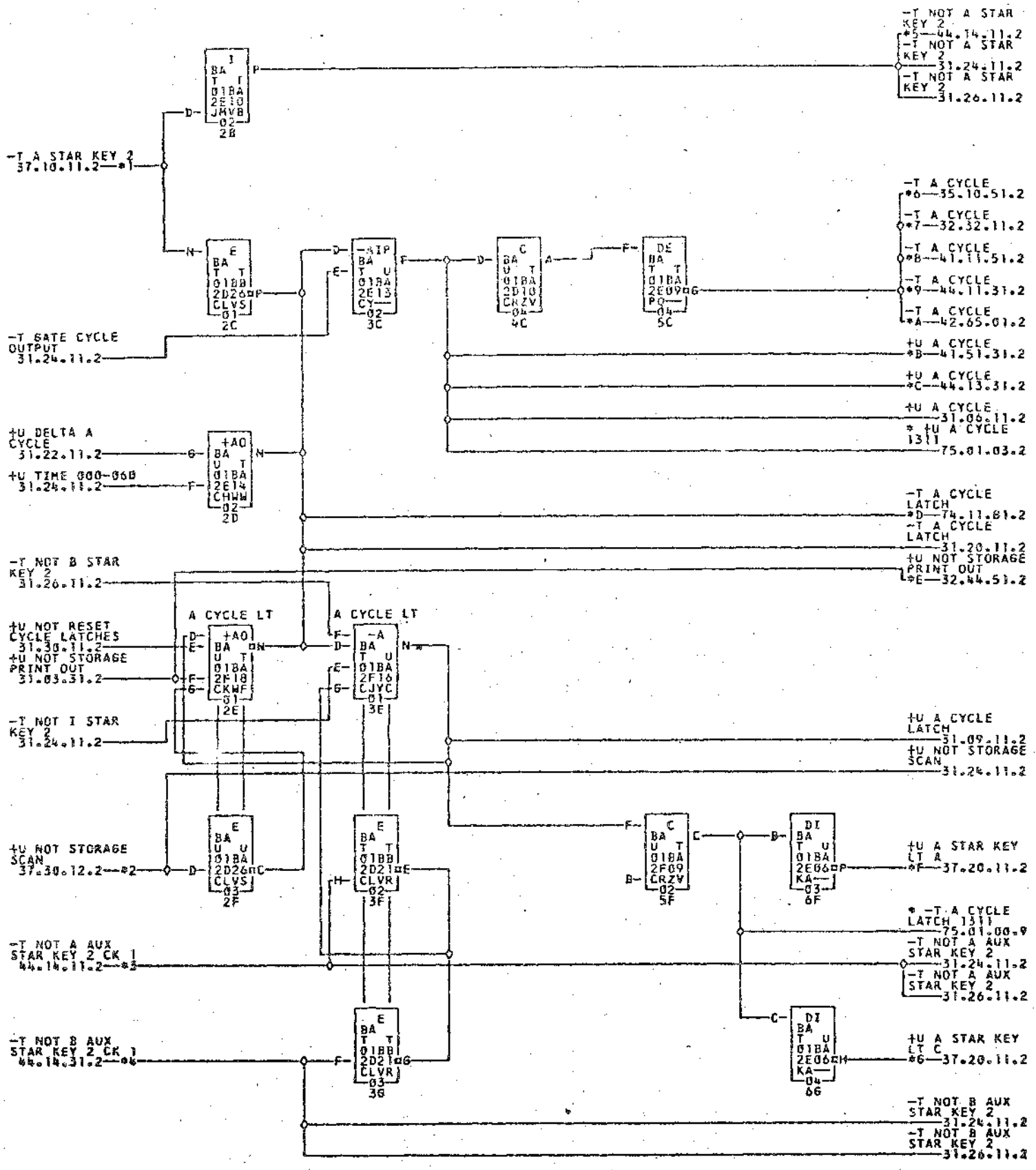
A 5.4.62  
TA 1233B  
B 5.3.63  
TA 1771A



- \*1-01B2F036
- \*2-01B2F014
- \*3-01B2A031
- \*4-01B2D02P
- \*5-01B2D01A
- \*6-01A9F09C
- \*7-01B2A02E
- \*8-01A8D26A
- \*9-01B2C02H
- \*10-01B2D02P
- \*A-01B2F03E
- \*B-01B2C02H
- \*11-01B2D01H
- \*C-01B2F04P
- \*12-01A2A13P
- \*D-01B2F01A
- \*13-01B2A04R
- \*E-01B2C01G
- \*14-01B2A026
- \*15-01A7A26W
- \*F-01B2A04R
- \*16-01A2A13P
- \*17-01A2A26H
- \*18-01A2A26H
- \*G-01B2A026
- \*19-01A2A26H
- \*19-01A2A26H
- \*H-01B2A026
- \*20-01A2A26H
- \*I-01B2A026
- \*21-01A2A26H
- \*22-01A2A26H
- \*J-01B2E02K
- \*23-01A2A26H
- \*24-01A2A26H
- \*K-01B2D03J
- \*25-01A2A26H
- \*26-01A2A26H
- \*L-01B2C03K
- \*27-01A2A26H
- \*28-01A2A26H
- \*M-01B2A03F
- \*29-01A2A26H
- \*30-01A2A26H
- \*N-01B2A03H

NOTE: \* INDICATES DIRECT CABLE EXPANSION  
 COMMENTS: \* INDICATES PRECEDING SIGNAL  
 TAG DATE: A 12-15-61 113530 B 12-10-62 114178

129073

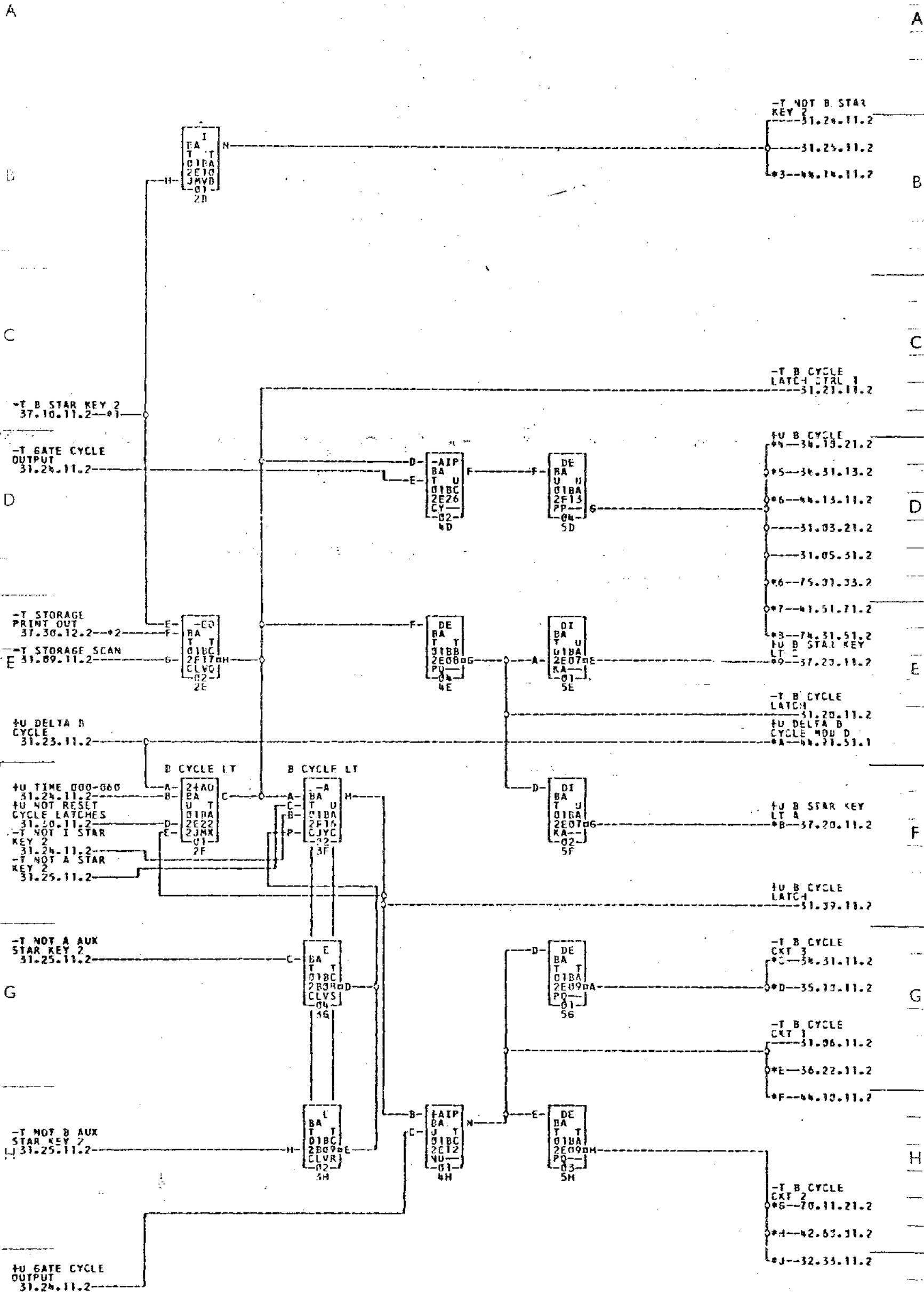


- \*1-01B2F03H      \*2-01B2F03J      \*3-01B2B030      \*4-01B2B03R      \*5-01B2A03J      \*6-02A9F05L
- 02B7E01J      \*7-01B2D03C      01A3D24C      01B2F02G      01A7D266      \*8-01B2C03H
- 02A6D096      02B8E03N      01B2B03N      02A9F13D      02B7B01N      \*9-01B2E05E
- 06B7A12E      \*B-01B2A01K      02A0D13D      02B6A01K      \*C-01B2A036      02A9F01C
- 02B7E016      \*D-01B2A05L      02A0A13C      02B1E01L      \*E-01B2D01E      01A8D26E
- \*F-01B2F04Q      01A2A13Q      \*G-01B2F04R      01A2A13R

COMMENTS  
 NOTE A CYCLE LATCH SIGNAL TO 31.20.11.2 IS REMOVED WITH 1311 ATTACHED  
 ASTERISK PRECEDING SIGNAL INDICATES DIRECT CABLE CONNECTION.

TAG DATE	E.C.NO.	TAG DATE	E.C.NO.	TAG DATE	E.C.NO.	TAG DATE	E.C.NO.
A 12-15-61	113330	B 12-16-62	114178	C 05-28-63	114194		

129074 1917A



- \*1-01B2F03L      \*2-01B2F03P      \*3-01B2A03X      \*4-01B2E01K
- 01B2B01B      \*5-01B2E04B      -----01B3E03B      -----02A9F07C
- 02A9F23C      \*7-01B2A02K      -----02B0A02K      -----02D7E01K
- \*8-01B2C03E      \*9-01B2C04D      \*A-01B2B03G      \*B-01B2D05E
- \*E-01B2C04C      -----01A2A15C      -----01B3E03A      \*D-01B2D03P
- 01B2B04R      -----01B4E01R      \*F-01B2B03P      -----02A9F15D      \*G-01A3D24P
- 02A0D09F      -----C2A2A24H      \*H-01B2E02N      -----01A9E25R      \*J-01B2F02H
- 02B7B01K      -----07A0A09A      -----01B7C25C      -----01A3D24P
- 01B2E01B      -----02B7B01K      -----01A7D26H

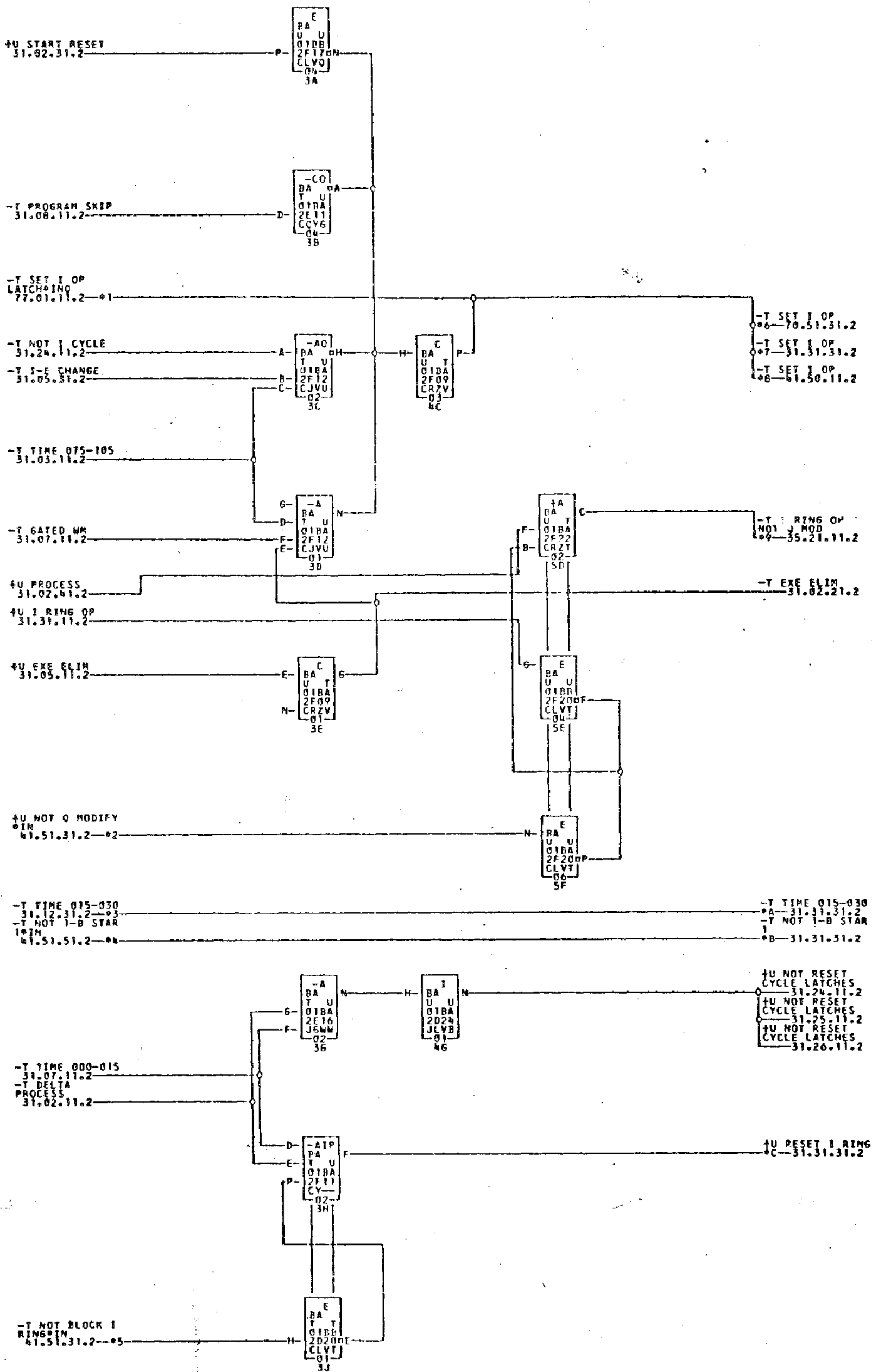
0794202

A 5.4.62

TA 1233B

B 5.3.63

TA 1771A



- \*1—01B2F05N      \*2—01B2A01R      \*3—01B2E01B      \*4—01B2A02H      \*5—01B2A010      \*6—01B2C01C
- 02A0C19F      \*7—01B2A24C      \*8—01B2E01M      \*9—01B2C01M      \*0—01B2A01B      \*1—02A0C17D
- 02B6A01B      \*C—01B2E03R      \*D—01B2C05K      \*E—01B2C04K      \*F—01B2E03P
- 01B6E01P

729076



8729077

I RING DP-1-2-3 DISTRIBUTION

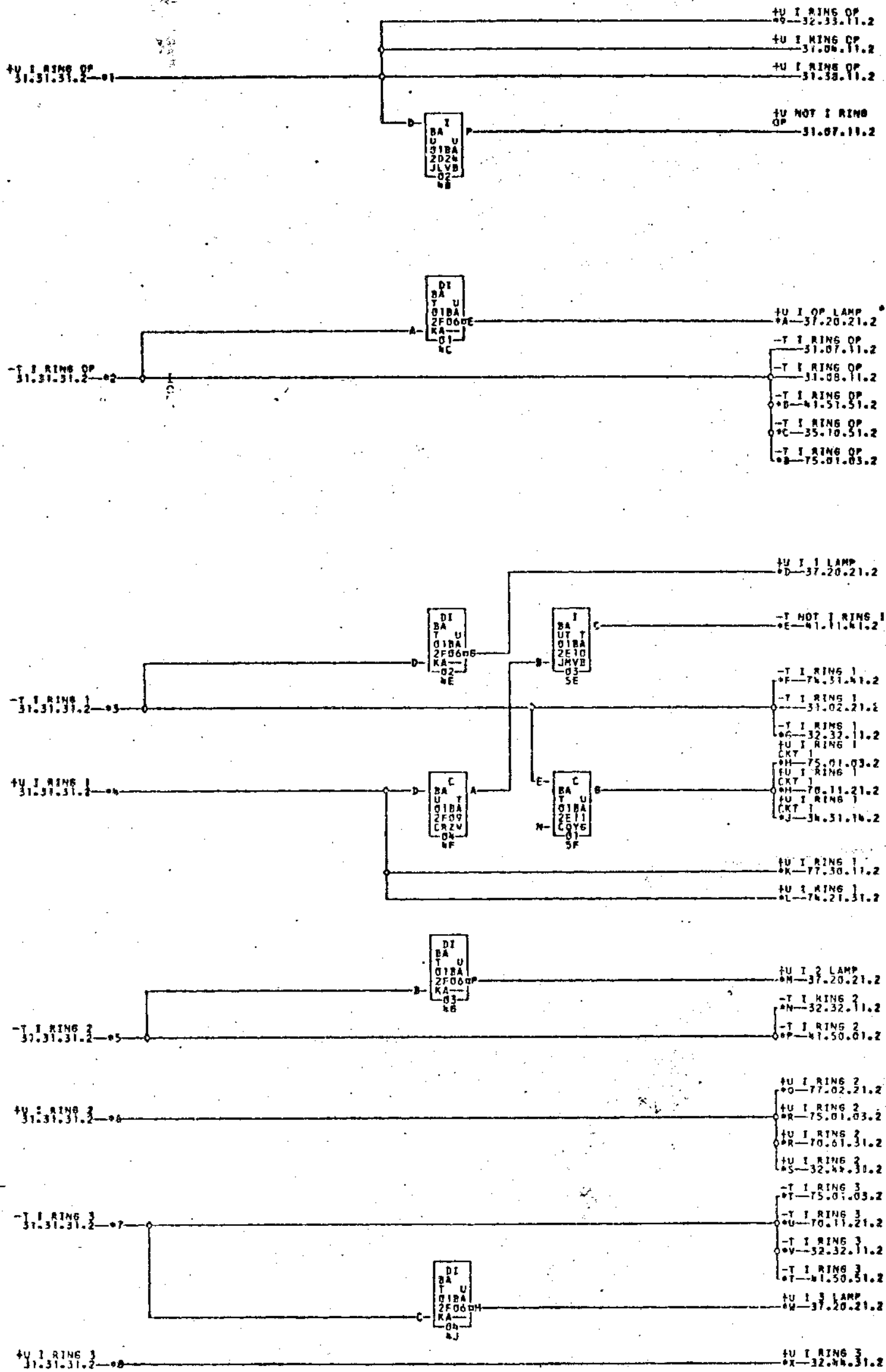
1401

31.31.11.2

TAG DATE

B 5.3.63  
TA 1771A

C 28.8.63  
TA 1917A



- |             |              |              |              |              |               |
|-------------|--------------|--------------|--------------|--------------|---------------|
| *1-01B2C05A | *2-01B2C05B  | *3-01B2C05D  | *4-01B2C05E  | *5-01B2C05F  | *6-01B2E01F   |
| *7-01B2C05H | *8-01B2C056  | *9-01B2D02D  | *10-01A7F25D | *A-01B2C04E  | *11-01A2415E  |
| *B-01B2A01A | *12-02A0C15D | *13-02D6A01A | *14-02A8F23J | *C-01B2D054E | *15-01A3D25E  |
| *D-01B2C04F | *16-01A2A15F | *17-01B2B04K | *18-01B4E01K | *19-01B4F02D | *16-02A7D001B |
| *H-02B8F01D | *F-01B2A05A  | *19-02A0A139 | *20-02B1E01A | *G-01D2F02A  | *17-01A7D26A  |
| *K-01B2C01N | *21-02A0D19F | *20-02A2A24N | *21-02A8F23K | *J-01D2E04K  | *18-01B3E03K  |
| *L-01A2A156 | *22-01B80721 | *21-01A7D26B | *22-02A0A17B | *19-02B1E01C | *19-01B2C048  |
| *O-01B2F05E | *23-01B2F028 | *22-01B2A01C | *23-01R2A01C | *20-02A0C19D | *20-02B5A01C  |
| *P-01B2D01H | *24-01B80713 | *23-01B2A01D | *24-02A0D17E | *21-02A2A24N | *21-02B5F23L  |
| *Q-01B2C01B | *25-01A3D26H | *24-02A2A24N | *25-02A0D01D | *22-02A0A01D | *22-02A8F23M  |
| *R-01A2A15H | *26-01B2D01D | *25-01A8D26D | *26-01B2F02C | *23-01A7D26C | *23-01B2C04H  |

COMMENTS

TAG DATE	E.C.NO.	TAG DATE	E.C.NO.	TAG DATE	E.C.NO.	TAG DATE	E.C.NO.
A 12-15-61	113530	B 12-10-62	114178	C 04-15-63	114188		

729077  
1917

0729078

I RING 5-5-7-8 DISTRIBUTION

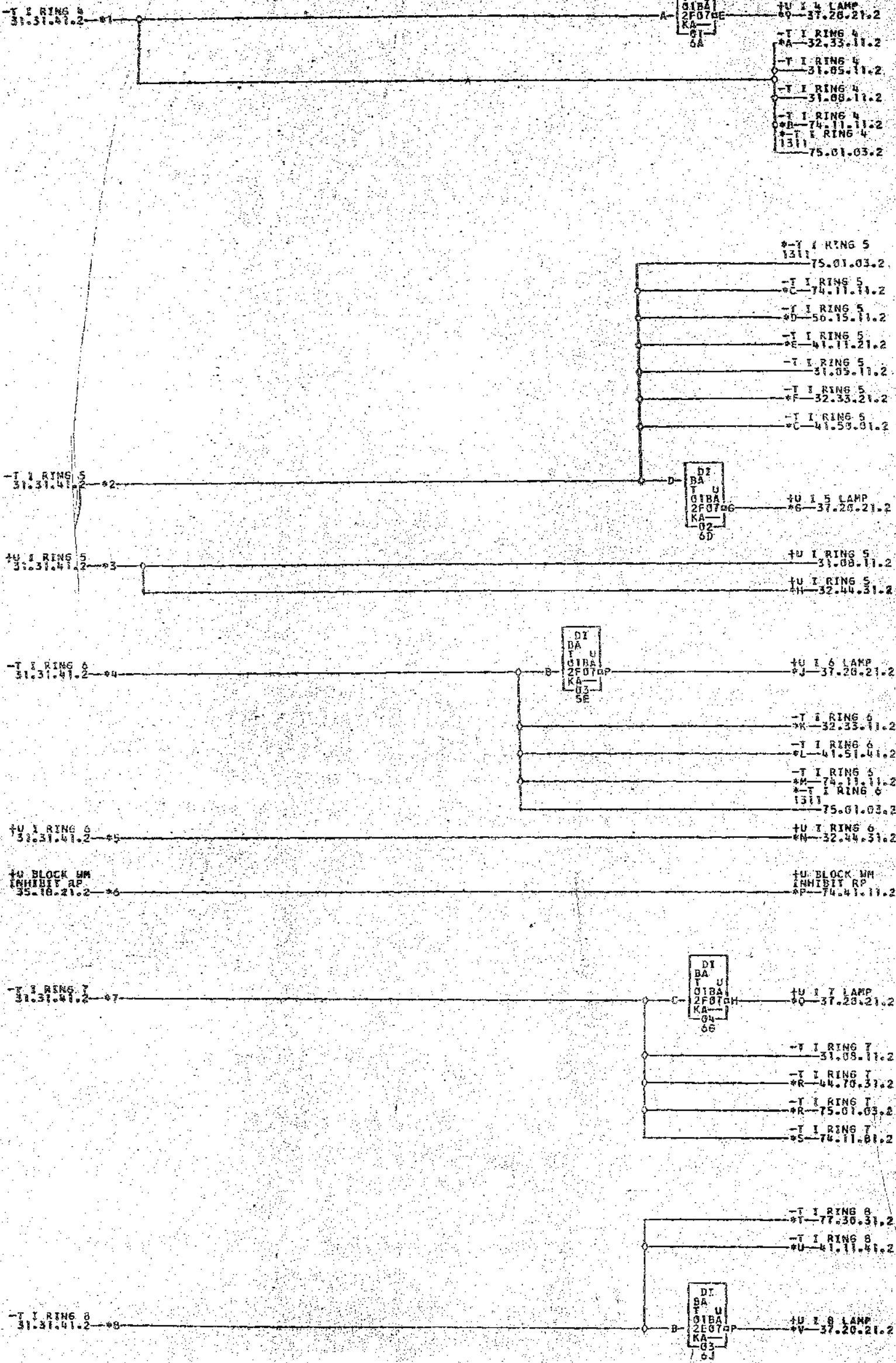
TAG 1

31.31.21.2

TAG DATE

B 2.7.762  
TA 1970A

C 5.3.63  
TA 1771A

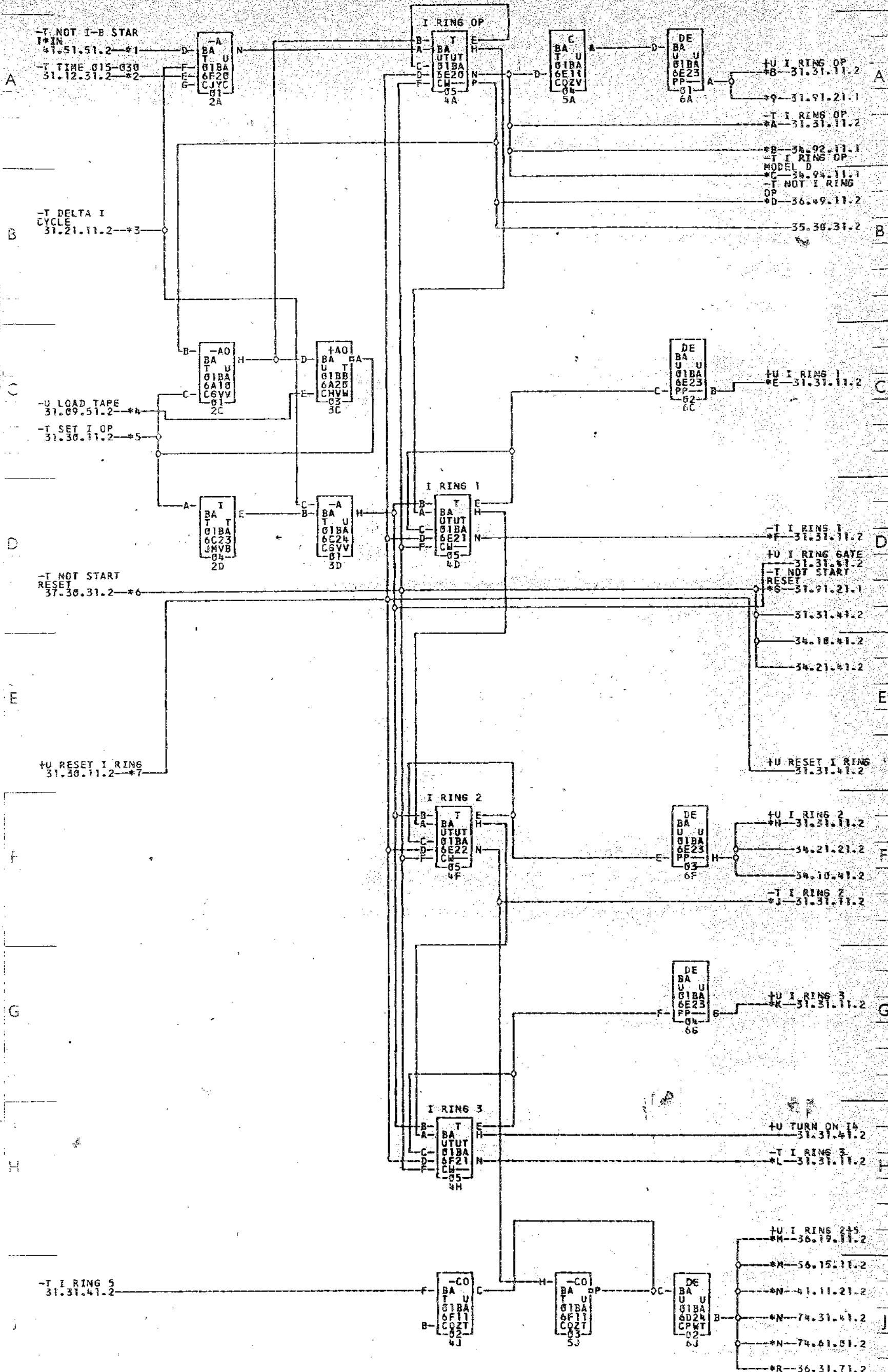


*1-01B2E016	*2-01B2E01H	*3-01B2C05L	*4-01B2C05M	*5-01B2C05N	*6-01B2A05M
*7-01B2C05P	*8-01B2A05R	*9-01B2C05J	*10-01A2A15J	*11-01B2F02D	*12-01A7D26D
*B-01B2A05B	*C-02A0A15B	*D-02B1E01B	*E-01B2A01E	*F-02A0D03D	*G-02B6A01E
*D-02B1C02N	*E-01B4E01G	*F-01B4F01F	*G-01B4F01F	*H-01B2F02E	*I-01A7D26E
*G-01B4E01G	*H-01B4F01F	*I-01B4F01F	*J-01B2C04L	*K-02B6A01E	*L-01A7D26F
*K-01B2F02F	*L-01A2A15K	*M-01B2D01J	*N-02A0D05D	*O-01B2A15D	*P-01B2C05M
*L-02A0A19B	*M-01A7D26F	*N-01B2A01Q	*O-01A8D26O	*Q-01B2D03A	*R-01B2C05N
*M-01A2A15M	*N-02B1E01D	*P-02A0E01E	*Q-02B6A02P	*S-02A0E23N	*T-01B2A05C
*N-02A0A01C	*O-01B2A02P	*R-01B2F05F	*S-01B8D26S	*U-01B2C03J	*V-02A0D11G
*O-02A0A01C	*P-02B1E01E	*T-01A2A15M	*U-01B8D26S		
*P-02B8E03R	*Q-01B2L00N				

NOTE ASTERISK PRECEDING SIGNAL INDICATES DIRECT CABLE EXPANSION

TAG DATE: A 12-15-61 119538    TAG DATE: B 04-04-62 119133    TAG DATE: C 12-16-62 119178

12/10/67



-T NOT I-B STAR  
T IN  
41.51.51.2 \*1  
-T TIME 015-030  
31.12.31.2 \*2

-T DELTA I  
CYCLE  
31.21.11.2 \*3

-U LOAD TAPE  
31.09.51.2 \*4  
-T SET I OP  
31.30.11.2 \*5

-T NOT START  
RESET  
37.30.31.2 \*6

+U RESET I RING  
31.30.11.2 \*7

-T I RING 5  
31.31.41.2

- \*1-01B6E01P
- \*7-01B6E01R
- 01B2C05B
- 01B1A02K
- 02B8C02B
- 01B2C05G
- 01B7E03M
- \*R-01B6C03P

- \*2-01B6C04K
- \*8-01B6C04A
- \*B-01B6A04P
- \*E-01B6C04E
- \*H-01B6B01F
- \*L-01B6C04H
- \*N-01B6A03E
- G1A6F25P

- \*3-01B6B01N
- 01B2C05A
- 02B8C02P
- 01B2C05T
- 01B2C05H
- 01B2C05E
- 01B4B02E

- \*4-01B6E01A
- \*9-01B6A04R
- \*C-01B6A04P
- \*J-01B6C04D
- \*F-01B6C04F
- \*M-01B6A03E
- 01B4F03D

- \*5-01B6E01M
- 02B8C02R
- 01B7A03P
- 01B2C05D
- 01B2C05F
- 01B4B02E
- 02A9D01C

- \*6-01B6D01L
- \*A-01B6C04B
- \*D-01B6D01K
- \*G-01B6A04B
- \*K-01B6C04G
- 01B4F01M
- 02B1C02X

COMMENTS

TAG DATE E.C.NO. TAG DATE E.C.NO. TAG DATE E.C.NO. TAG DATE E.C.NO.

A 04-02-63 TA1607 B 04-17-63 TA1607B



IBM CORPORATION  
1000 N. YORK ST.  
ARMONK, N.Y. 10504

+U TURN ON I4  
31.31.31.2

A

B

C

D

E

F

G

H

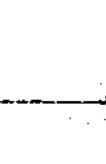
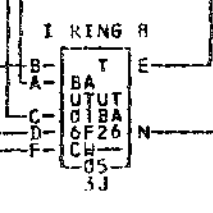
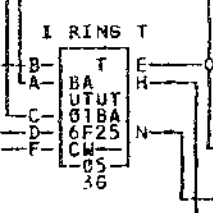
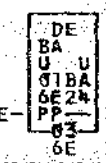
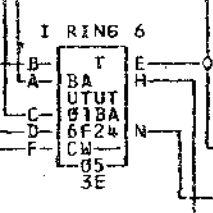
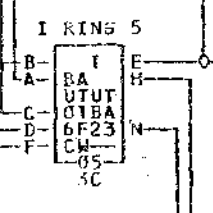
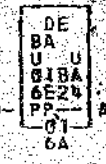
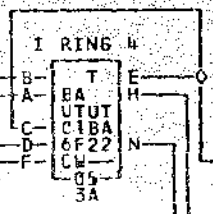
+U RESET I RING  
31.31.31.2

+U I RING GATE  
31.31.31.2  
-T NOT START  
RESET  
31.31.31.2

+U PROCESS  
35.30.31.2

+U TIME 090-000  
34.10.41.2

+U B REG WM  
35.30.21.2



- \*1-01B6C04J
- \*4-01B6C04L
- \*7-01B6C04C
- \*A-01B6C04R

- 01B2C05J
- 01B2C05L
- 01B2C05O
- 01B2C05R

- \*2-01B6B016
- \*5-01B6C0NN
- \*8-01B6C0NP
- \*B-01B6A04Q

- 01B2E016
- 01B2C05N
- 01B2C05P
- 02B6C02Q

- \*3-01B6B01H
- \*6-01B6C04M
- \*9-01B6A04Q

- 01B2E01H
- 01B2C05M
- 01B7A03Q

COMMENTS

TAG DATE E.C.NO. TAG DATE E.C.NO. TAG DATE E.C.NO. TAG DATE E.C.NO.

A 04-02-63 TA1607 B 04-17-63 TA1607B

A

A

+U B CYCLE  
34.31.13.2 \*1

+U B CYCLE  
31.91.21.1

44.98.11.1

B

B

+A  
SBA  
U  
02BA  
8C16  
CKWV  
02  
58

-T ARITH MARKER  
34.96.11.1

31.91.51.1

C

C

-T ARITH UPR  
34.31.13.2 \*2

+U ARITH OP  
31.91.21.1

-T ARITH UPR  
31.91.21.1

D

D

-T A CYCLE  
35.10.51.2 \*3

+U A CYCLE  
34.92.21.1

44.98.11.1

E

E

+A  
SBA  
U  
02BA  
8C14  
CKWV  
01  
3E

-T A FIELD  
ARITH MRR  
34.92.11.1

+U STERLING  
MARKER  
44.98.11.1

34.92.11.1

\*A 44.92.41.1

F

F

+U B REG NOT WM  
31.92.61.1

-T STERLING  
MARKER  
31.91.51.1

G

G

+U TIME 090-000  
31.92.62.1

DE  
SBA  
U  
02BA  
8E11  
CPWT  
03  
36

A  
SBA  
U  
02BA  
8E18  
CHWV  
01  
46

T  
SBA  
U  
02BA  
8C19  
CKWV  
01  
56

-T NOT I RING  
OP  
31.91.21.1

-T B CYCLE  
35.18.61.2 \*4

-T B CYCLE  
31.91.21.1

44.98.11.1

31.91.31.1

H

H

-T B REG 8  
34.21.11.2 \*5

-T B REG 4  
35.12.21.2 \*6

-T B REG 1  
44.98.31.1

-T TIME 075-090  
31.92.32.1

-T NOT STERL MK  
31.91.51.1

-A  
SBA  
U  
02BA  
8D09  
CJWV  
01  
3H

-A  
SBA  
U  
02BA  
8C18  
CJWV  
01  
6H

+U MK ERROR  
\*B 34.52.20.2

J

J

-T B REG NOT 2  
35.11.61.2 \*7

-T B REG NOT A  
34.33.11.2 \*8

-T B REG NOT B  
34.33.11.2 \*9

E  
SBA  
U  
02BA  
8D21  
CLVSI  
01  
3J

E  
SBA  
U  
02BA  
8C17  
CLVSI  
01  
6J

\*1-02B8802C  
01B6B14B  
02B7F04C

\*2-02B8801L  
\*6-02B8801L  
\*B-02B8C026

\*3-02B8801B  
\*7-02B8801N  
DIRECT

\*4-02B8801J  
\*8-02B88016  
01B6F03L

\*5-02B8800D  
\*9-02B8C01H

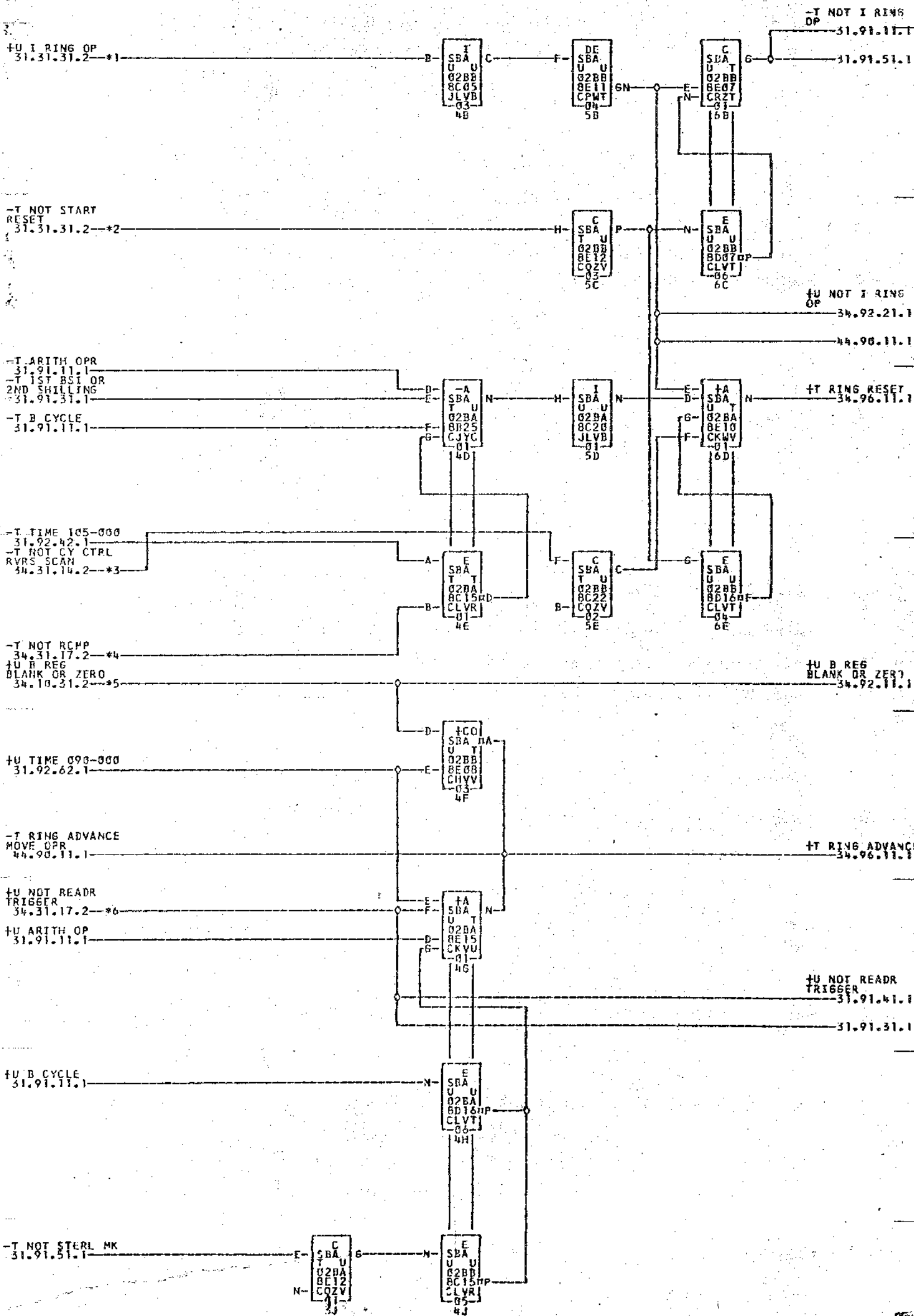
DIRECT  
\*A-02B8A01C

COMMENTS

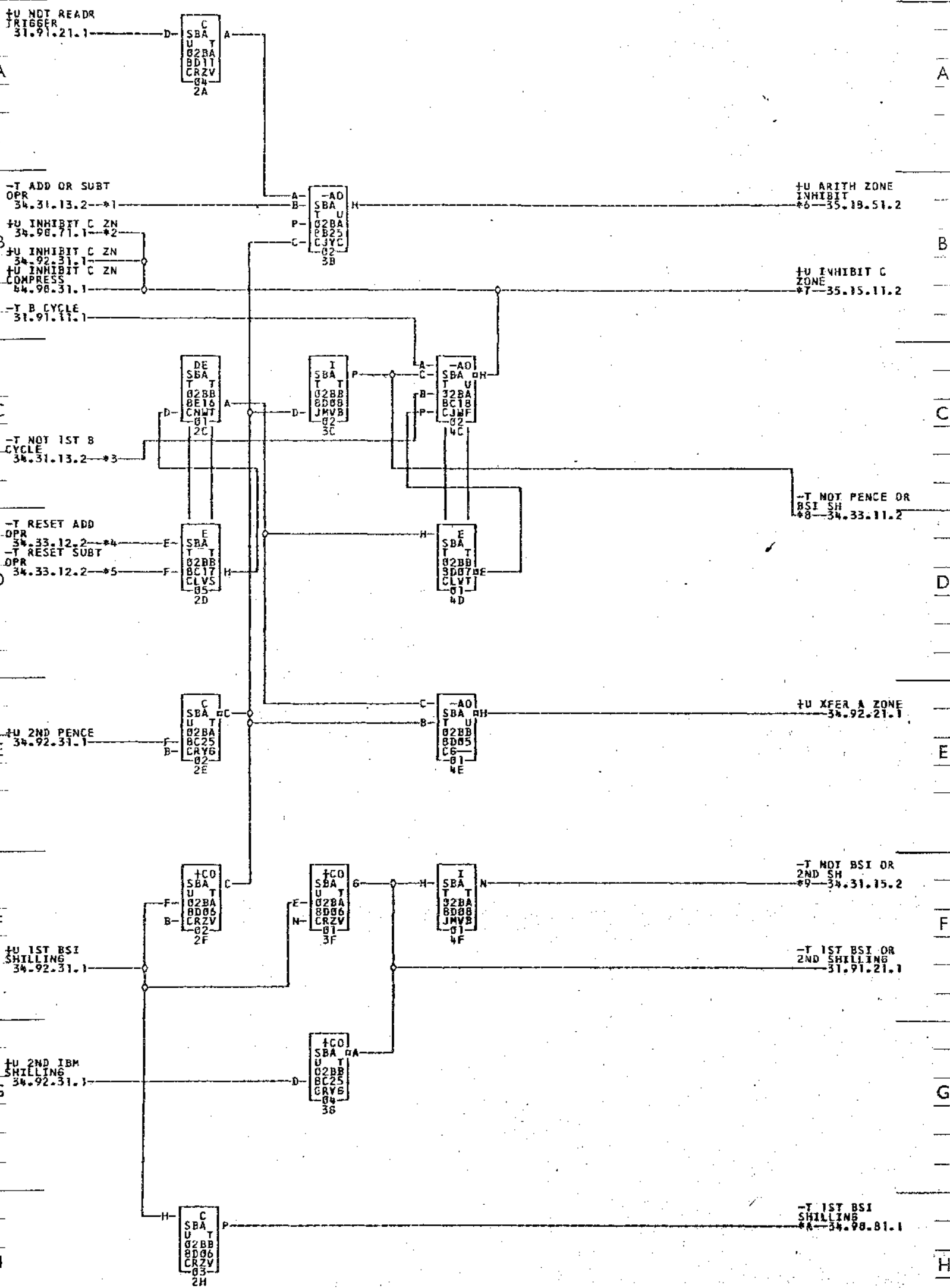
TAG DATE E.C.NO. TAG DATE E.C.NO. TAG DATE E.C.NO. TAG DATE E.C.NO.

A 04-02-63 TA1607 B 04-17-63 TA1607B C 01-27-64 TA 604N

IBM BRITISH LABORATORIES LTD. U.S. FORM NO. 244-101-1



\*1--02BAC02R 01D6D24A    \*2--02BAC02B 02D0A03N    \*3--02D0B0C1N    \*4--02B0A03P    \*5--02B0E08D    DIRECT



- \*1--0288681P  
01A3823D  
01B3D04C
- \*2--0288681H  
\*7--0288681E  
\*A--0288681J
- \*3--0288681Q  
01A3823E  
01B3D04J
- \*4--0288682A  
\*8--0288681R
- \*5--0288682B  
01B3D04R
- \*6--0288681D  
\*9--0288681C

COMMENTS

TAG	DATE	E.C. NO.	TAG	DATE	E.C. NO.	TAG	DATE	E.C. NO.	TAG	DATE	E.C. NO.
A	04-02-63	TA1687	B	04-17-63	TA1687B	C	11-22-63	TA1988A	D	01-14-64	TA1983B



1780996  
 01

A

A

B

B

C

C

D

D

E

E

F

F

G

G

H

H

J

J

\*1-0288D91F  
 \*5-0288C01P  
 \*8-0288C01A  
 \*B-0288B01E

\*2-0288D016  
 \*1B3A04P  
 \*1B3A04A  
 \*1B3D04E

\*3-0288C010  
 \*6-0288B02D  
 \*9-0288B01A  
 \*C-0288D01H

\*1B3A04Q  
 \*1B3F04D  
 \*1B3D04A  
 \*1A3B23H

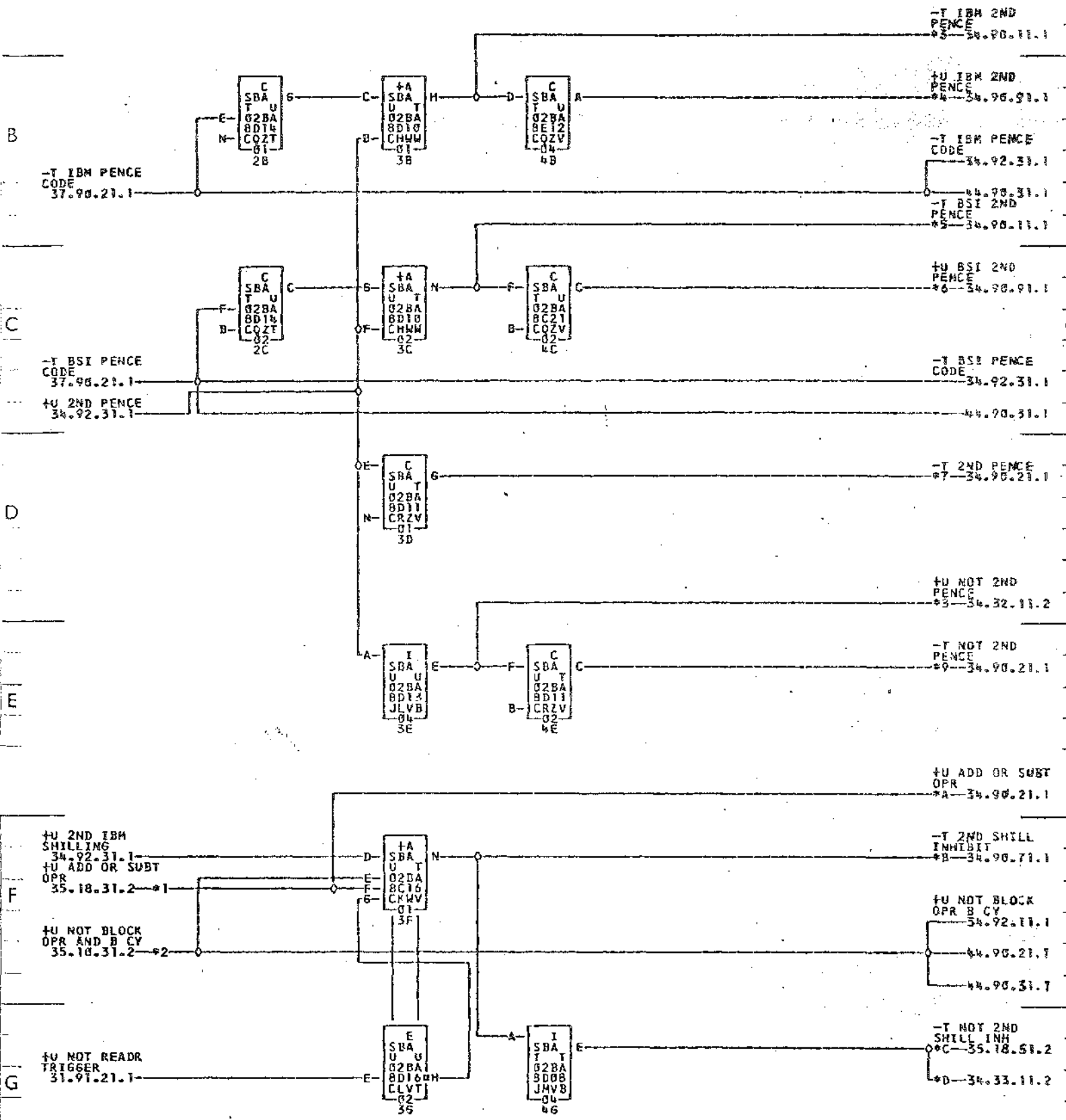
\*4-0288B02F  
 \*7-0288C01R  
 \*A-0288C01M  
 \*D-0288B02E

\*1B3F04F  
 \*1B3A04R  
 \*1B3A04M  
 \*1B3F04E

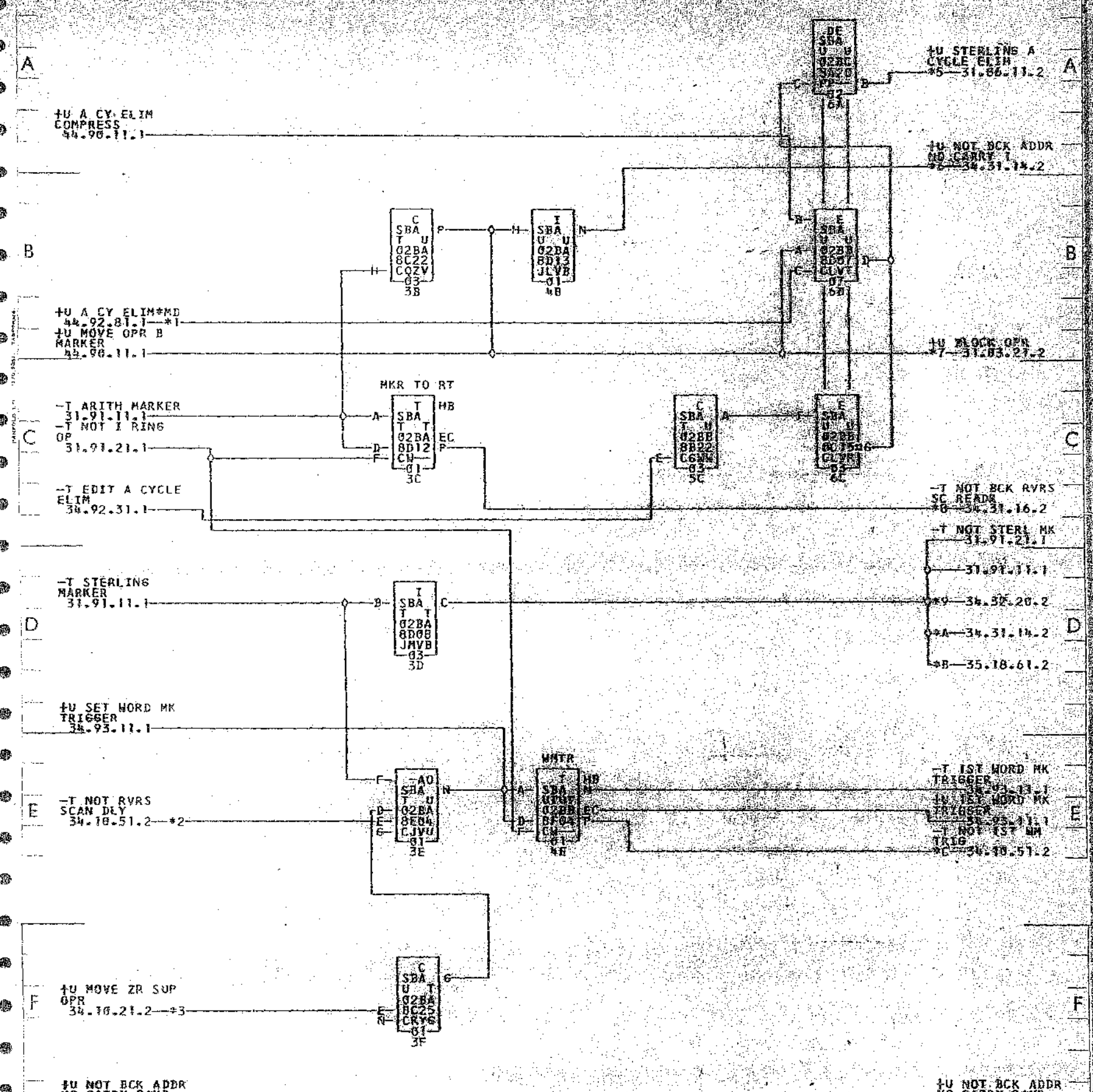
COMMENTS

TAG DATE E.C.NO. TAG DATE E.C.NO. TAG DATE E.C.NO. TAG DATE E.C.NO.  
 A 04-02-63 TA1607 B 04-17-63 TA1607B

7899997  
 2-10078







- \*1-02B8B03F
- \*2-02B8C02J
- \*3-DIRECT
- \*4-02B8B03A
- \*5-DIRECT
- \*6-DIRECT
- \*7-02B8D07A
- \*8-DIRECT
- \*9-02B8C02F
- \*A-02B8B02H
- \*B-DIRECT
- \*C-02B8C02K
- \*D-01B6D26N
- \*E-DIRECT
- \*F-01B6F08B
- \*G-02B8B02H
- \*H-DIRECT
- \*I-01B6F08B
- \*J-02B8B02G
- \*K-01B3F04J
- \*L-02B8B02A
- \*M-01B3A09E

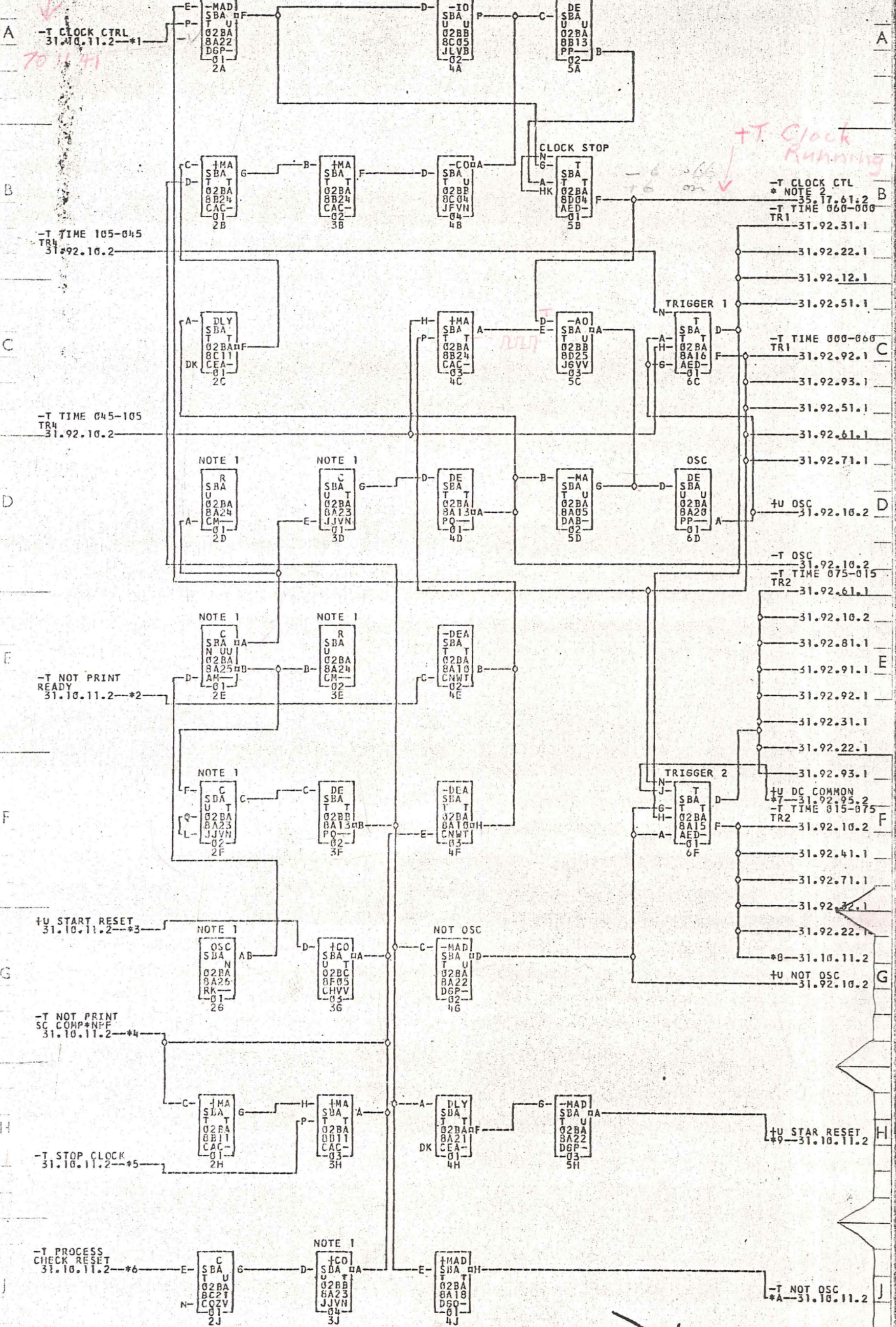
COMMENTS

TAG DATE E.C. NO. TAG DATE E.C. NO. TAG DATE E.C. NO. TAG DATE E.C. NO.

A 04-02-63 TA1007 B 04-11-63 TA1007B C 13-22-63 TA1988A D 04-02-63 TA1007C

U.S. GOVERNMENT PRINTING OFFICE: 1963 O - 150158

*+ Stop Clock -6V*  
*-6V*



- \*1--02B8D02B
- \*2--02B8D02A
- \*3--02B8D02N
- \*4--02B8C01L
- \*5--02B8C01F
- \*6--02B8A03K
- \*7--02B8A03R
- \*8--01B3C04R
- \*9--02B8D02C
- \*A--02B8D02D
- \*B--02B8A15F
- \*C--01B3B05D

0789961

CLOCK CONTROL SECTION 2

14015DA

31.92.10.2

-T TIME 090-030  
TR3 31.92.81.1

31.92.02.1  
31.92.12.1

31.92.51.1  
31.92.62.1

31.92.32.1  
31.92.93.1

-T TIME 030-090  
TR3 31.92.91.1

31.92.42.1  
31.92.31.1

31.92.51.1  
31.92.61.1

31.92.71.1  
31.92.81.1

31.92.22.1  
31.92.12.1

-T TIME 105-045  
TR4 31.92.62.1

31.92.71.1  
31.92.92.1

31.92.41.1  
31.92.42.1

31.92.31.1  
31.92.94.1

31.92.01.2  
31.92.01.1

-T TIME 045-105  
TR4 31.92.42.1

31.92.71.1  
31.92.91.1

31.92.22.1  
31.92.01.2

31.92.41.1

-T TIME 000-060  
TR5 31.92.81.1

31.92.32.1  
31.92.22.1

31.92.42.1  
31.92.41.1

31.92.31.1  
31.92.94.1

31.92.31.1  
31.92.94.1

-T TIME 060-080  
TR5 31.92.61.1

31.92.62.1  
31.92.71.1

31.92.81.1

A

A

B

B

C

C

D

D

E

E

F

F

G

G

H

H

J

J

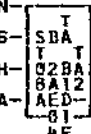
-T TIME 015-075  
TR2 31.92.01.2

+U OSC  
31.92.01.2  
-T TIME 075-015  
TR2 31.92.01.2

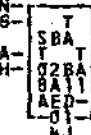
TRIGGER 3



TRIGGER 4



TRIGGER 5



+U NOT OSC  
31.92.01.2

-T OSC  
31.92.01.2



02BDD02E

01B3B05E

COMMENTS

TAG DATE E.C.NO. TAG DATE E.C.NO.  
A 04-02-63 TA1607 B 04-17-63 TA1607B

TAG DATE E.C.NO. TAG DATE E.C.NO.  
A 04-02-63 TA1607 B 04-17-63 TA1607B

IBM BRITISH LABORATORIES  
WINCHESTER U.S. PAT. NO. 3,144,015-1

789961

1607 B

A

A

B

B

C

C

D

D

E

E

F

F

G

G

H

H

J

J

-T TIME 050-090  
TR3  
31.92.10.2

-T TIME 005-045  
31.92.93.1  
\*1-31.12.12.2  
30.93.11.1

-T TIME 060-000  
TR1  
31.92.01.2

-T TIME 090-030  
TR3  
31.92.10.2

-T TIME 030-060  
\*2-31.12.12.2

IMAD  
SBA T  
T 02BA  
8A1B  
060  
02  
4C

IMAD  
SBA RA  
T 02BA  
8A1B  
060  
03  
46

\*1-0286002H

0183005H

\*2-0288002J

0183005J

COMMENTS

TAC DATE E.C.NO.  
A 04-02-63 TA1607

TAC DATE E.C.NO.  
B 04-17-63 TA1607B

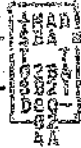
TAC DATE E.C.NO.  
C 11-22-63 TA1988A

TAC DATE E.C.NO.  
D 01-14-64 TA1988B

IBM  
SMITH LABORATORIES  
WINCHESTER  
U.S. PAT. NO. 2,440,151

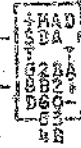
789962

TIME 006-002  
 TAG DATE E.C.NO.  
 A 04-02-63 TA1607



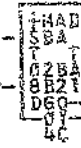
TIME 006-014  
 TAG DATE E.C.NO.  
 B 04-17-63 TA1607B

TIME 006-103  
 TAG DATE E.C.NO.  
 A 02-10-2 TA1607A



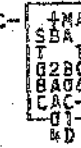
TIME 013-045  
 TAG DATE E.C.NO.  
 B 31-12-22.2

TIME 006-000  
 TAG DATE E.C.NO.  
 A 02-10-2 TA1607A



TIME 006-000  
 TAG DATE E.C.NO.  
 B 31-12-22.2

TIME 015-  
 TAG DATE E.C.NO.  
 B 31-12-22.2



\*1-0288002L  
 \*1-0288002C

0183805L  
 0183805C

\*2-0288002H

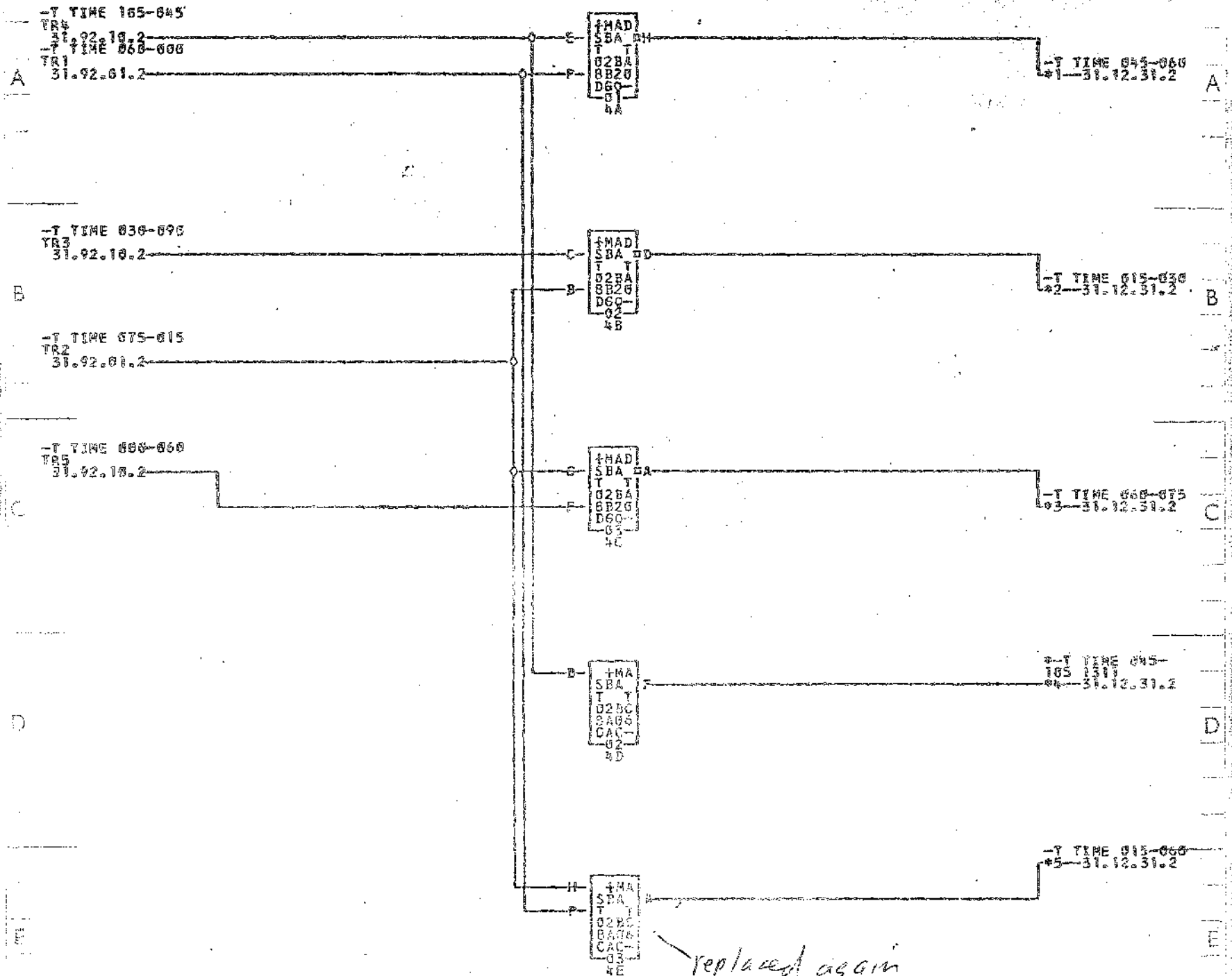
0183805H

\*3-0288002K

0183805K

COMMENTS

TAG	DATE	E.C.NO.	TAG	DATE	E.C.NO.	TAG	DATE	E.C.NO.	TAG	DATE	E.C.NO.
A	04-02-63	TA1607	B	04-17-63	TA1607B	C	07-15-63	TA1659C			



replaced again  
4/13/10  
RF  
bad H diode

- \*1-0288002N
- \*2-02BR002P
- \*3-0288002Q
- \*4-0288E02D
- \*5-0288A06A
- 0183B05N
- 0183B05P
- 0183C03F
- 0183A05D
- DIRECT
- 0183B05Q

0789967

T TIME 060-080 075-098 030-090

1801SBA

31.92.32.1

-T TIME 000-060  
TR5  
31.92.10.2

MAD  
SBA  
T  
02BA  
BC18  
DSO  
01  
4A

-T TIME 060-080  
\*1-31.92.01.1  
\*2-31.12.32.2  
31.92.92.1

-T TIME 015-075  
TR2  
31.92.01.2

MAD  
SBA  
T  
02BA  
BC18  
DSO  
02  
4C

-T TIME 075-098  
31.91.11.1  
\*3-31.12.32.2

-T TIME 090-030  
TR3  
31.92.10.2

MAD  
SBA  
T  
02BA  
BC19  
DSO  
01  
4E

-T TIME 030-090  
31.92.41.1  
\*4-31.12.32.2

F

G

H

\*1--02B8003K  
\*4--02B6E02E

---02A7F23K  
---01B3A05B

\*2--02B3D02R

---01B3B05R

\*3--02B8E02A

---01B3A05A

COMMENTS

TAG	DATE	E.C.NO.	TAG	DATE	E.C.NO.	TAG	DATE	E.C.NO.	TAG	DATE	E.C.NO.
A	04-02-65	TA1587	B	04-17-63	TA1607D	C	11-22-63	TA1988A	D	01-14-64	TA1985E

IBM  
BATTEN LABORATORIES  
WINCHESTER  
U.S. FORM NO. 615-111-1

709967

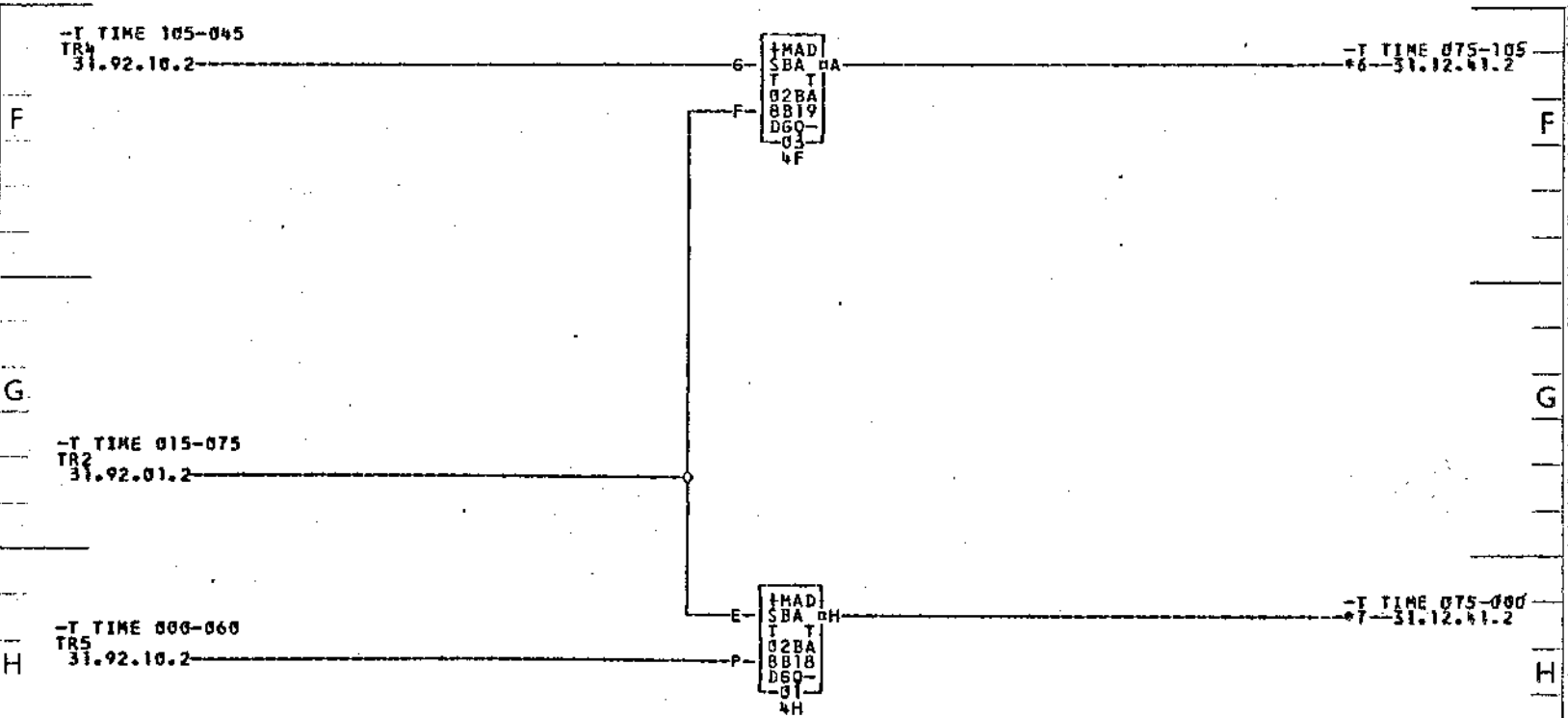
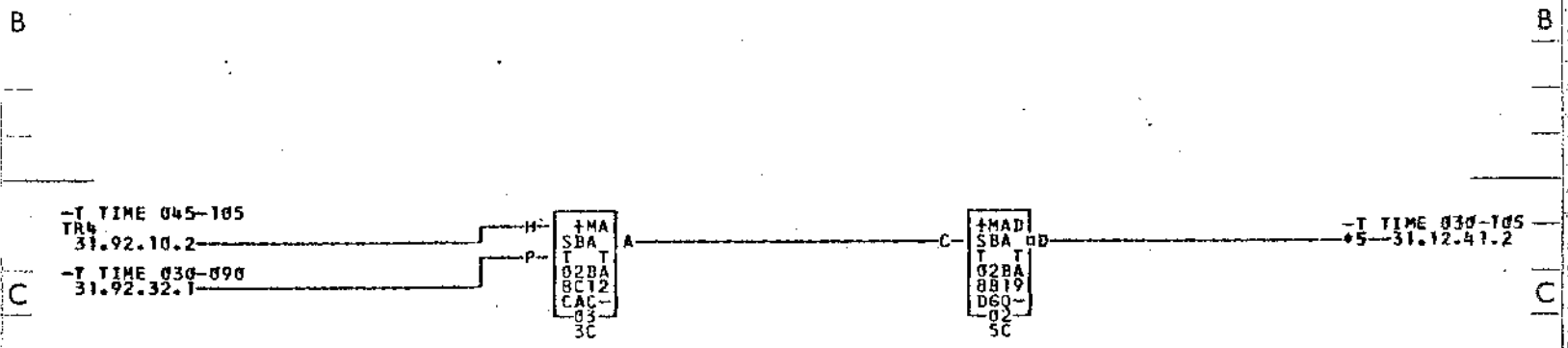
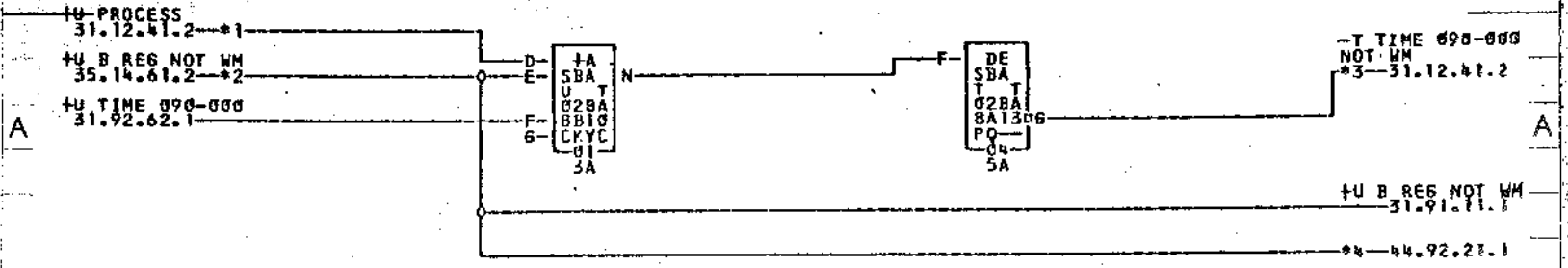
13086

0789968

T TIME 030-105 075-105 075-000

100158A

31.92.41.1



\*1-0288B10D  
 \*4-0288E02E  
 \*6-0288E026

===== DIRECT  
 ===== 01B3A05E  
 ===== 01B3A056

----- 01B3B01R  
 \*7-0288A016  
 \*7-0288E02H

\*2-0288B10E  
 \*3-0287F046  
 ----- 01B3A05H

----- DIRECT  
 \*5-0288E02F

===== 01A3E25D  
 ===== 01B3A05F

COMMENTS

TAG	DATE	E.C.NO.	TAG	DATE	E.C.NO.	TAG	DATE	E.C.NO.	TAG	DATE	E.C.NO.
A	04-02-63	TA1607	B	04-17-63	TA1607B						

**IBM** BRITISH LABORATORIES  
 WATFORD, HERTS.  
 U.S. FORM NO. 41-7012-1

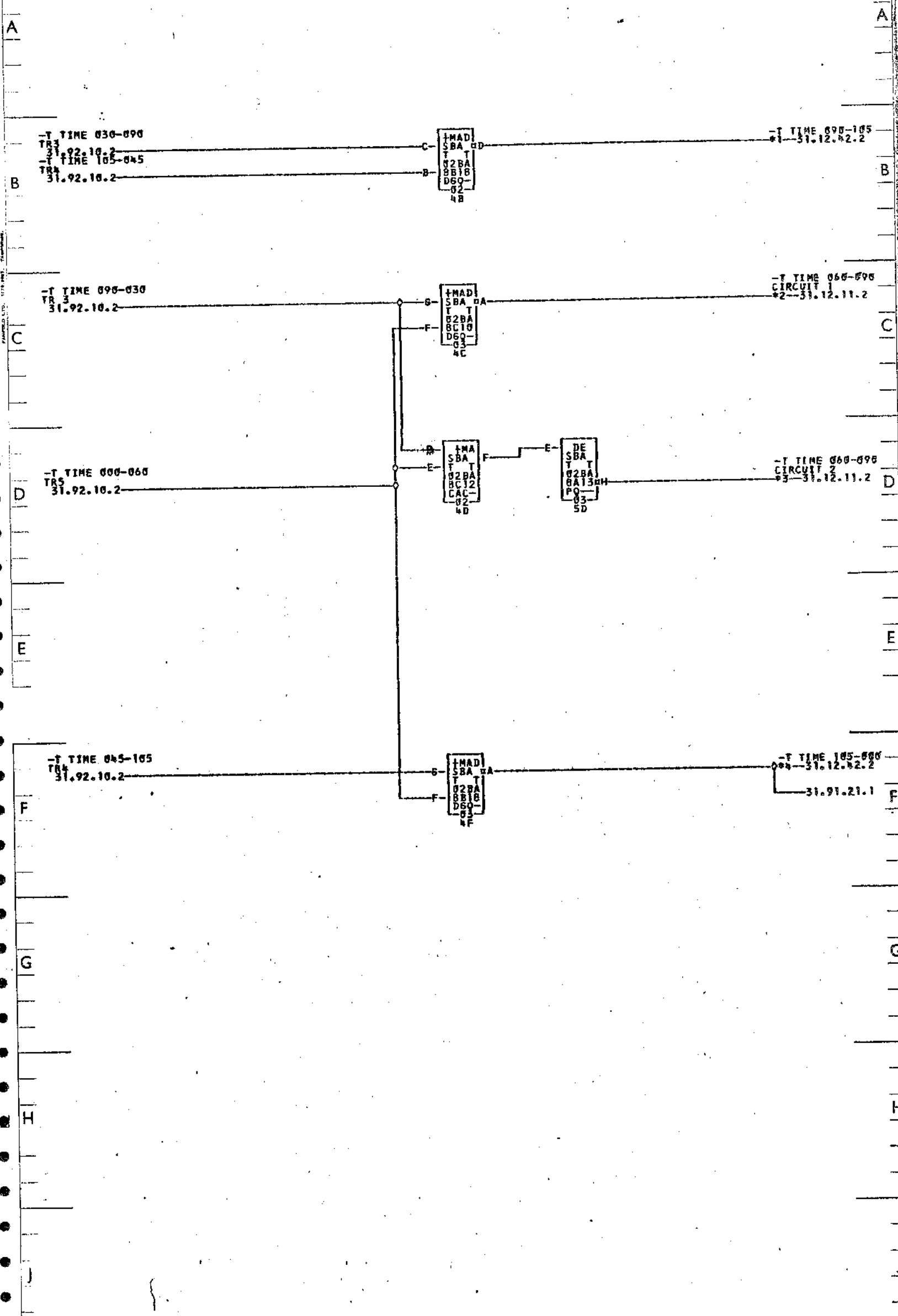


0789969

T TIME 090-105 105-000 060-090

1401SBA

31.92.42.1



\*1-028802J  
\*2-028802K

0183A05J  
0183A05K

\*2-028802F

0183B05F

\*3-028802G

0183B05G

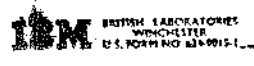
COMMENTS

TAG DATE E.C.NO. A 04-02-63 TA1607

TAG DATE E.C.NO. B 04-17-63 TA1607B

TAG DATE E.C.NO.

TAG DATE E.C.NO.

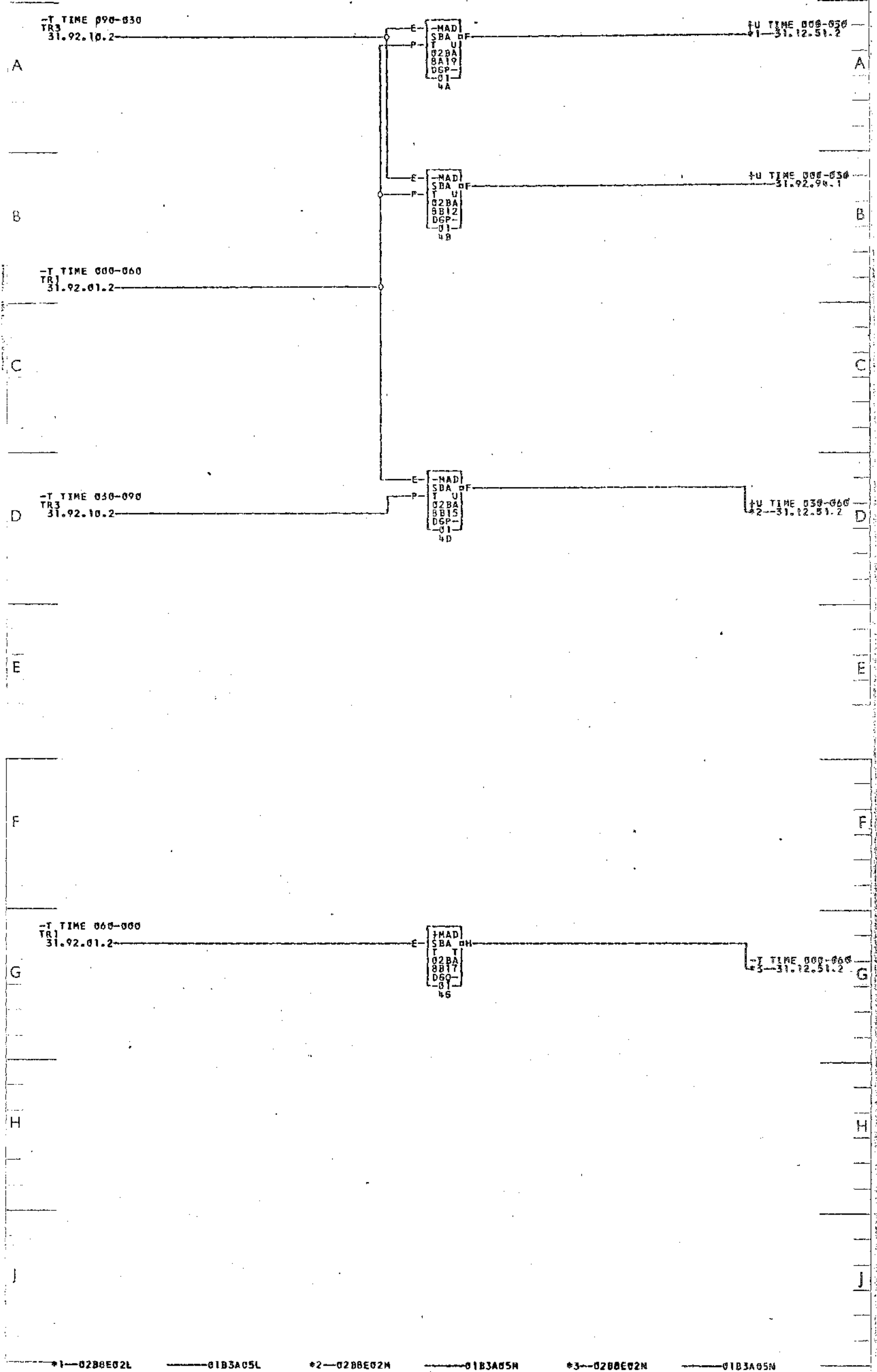


0789930

U TIME 000-030 030-060 T THE 000-060

140158A

31.92.51.1



COMMENTS

TAG	DATE	C.C.NO.	TAG	DATE	E.C.NO.	TAG	DATE	E.C.NO.	TAG	DATE	E.C.NO.
A	04-02-63	TA1607	B	04-17-63	TA1607B						

IBM BRITISH LABORATORIES WATFORD HERTS. ENGLAND

-T TIME 060-060  
 TR1 31.92.01.2  
 -T TIME 075-015  
 TR2 31.92.01.2

MAD  
 SBA U  
 T 02BA  
 0A10  
 DSP-  
 03  
 3A

TV TIME 060-015  
 41-31.12.61.2

A

A

B

B

C

C

D

D

-T TIME 030-090  
 TR3 31.92.10.2  
 -T TIME 060-080  
 TR5 31.92.10.2

MAD  
 SBA U  
 T 02BA  
 0B16  
 DSP-  
 01  
 3E

TV TIME 060-090  
 42-31.12.61.2

E

E

F

F

G

G

H

H

J

J

\*1-02B8E02P

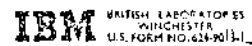
01B3A05P

\*2-02B8E02Q

01B3A05Q

COMMENTS

TAG	DATE	E.C.NO.	TAG	DATE	E.C.NO.	TAG	DATE	E.C.NO.	TAG	DATE	E.C.NO.
A	04-02-63	TA1607	B	04-17-63	TA1607B						



1607 B  
 1607 B

-T TIME 105-045  
TR4  
31.92.10.2

MAD  
SBA UD  
T U  
02BA  
0816  
DGP-  
02  
3A

+U TIME 105-000  
L1-31.12.62.2

A

A

B

B

-T TIME 060-000  
TR5  
31.92.10.2

C

C

D

D

-T TIME 090-030  
TR3  
31.92.10.2

MAD  
SBA DA  
T U  
02BA  
0816  
DGP-  
03  
3E

+U TIME 090-000  
44.90.11.1  
31.91.21.1  
31.92.41.1  
\*2-31.12.62.2  
31.91.11.1

E

E

F

F

G

G

H

H

\*1-02B8E02R

01B3A05R

\*2-02B8C01J

01B3A04J

COMMENTS

TAG DATE E.C.NO. TAG DATE E.C.NO. TAG DATE E.C.NO. TAG DATE E.C.NO.  
A 04-02-63 TA1607 B 04-17-63 TA1607B

IBM BRITISH LABORATORIES  
WIMBORNE  
U.S. FORM NO. 44-1051

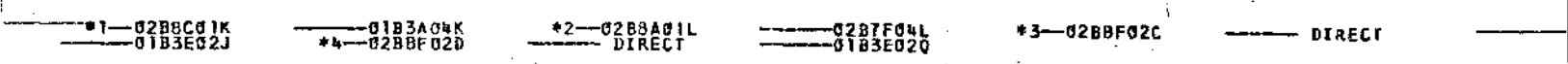
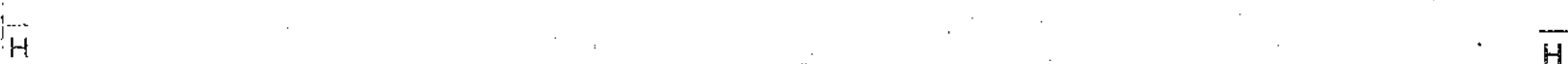
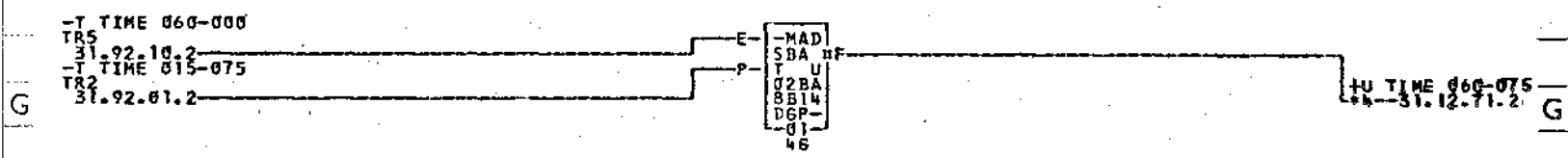
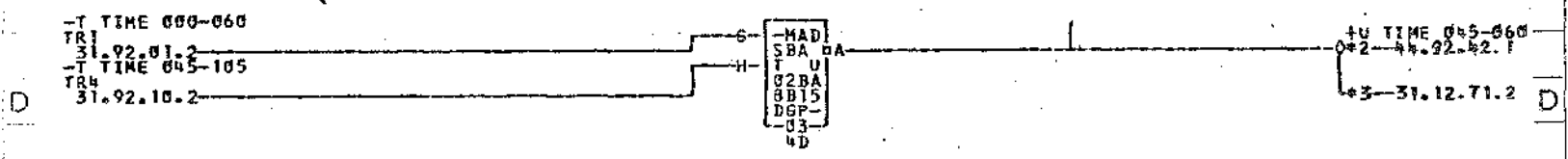
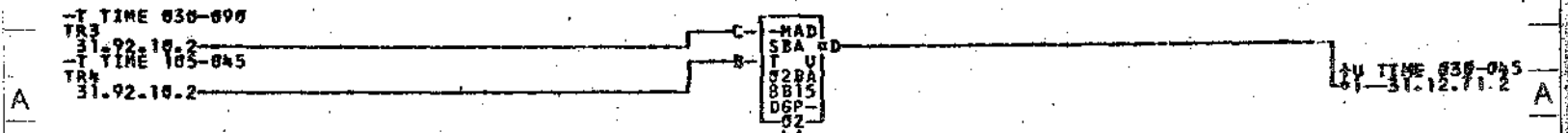
20001  
18002  
A 1001-7

0769933

U TIME 030-045 045-060 060-075

1401SBA

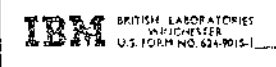
31.92.71.1



\*1-02B8C01K      01B3A04K      \*2-02B8A01L      02B7F04L      \*3-02B8F02C      DIRECT  
 01B3E02J      \*4-02B8F02D      DIRECT      01B3E020

COMMENTS

TAG	DATE	E.C.NO.	TAG	DATE	E.C.NO.	TAG	DATE	E.C.NO.	TAG	DATE	E.C.NO.
A	04-02-63	TA1607	B	04-17-63	TA1607B						



1607  
 R 7091

0789934

BU TIME 30-90 75-90 30-000 60-000

140158A

31.92.01.1

A

A

-T TIME 030-090  
TR3  
31.92.10.2

-MAD  
SBA U  
T 02BA  
0814  
D6P-  
02  
4B

BU TIME 030-090  
\*1-31.12.81.2

B

B

-T TIME 075-015  
TR2  
31.92.01.2

-MAD  
SBA U  
T 02BA  
0814  
D6P-  
03  
4D

BU TIME 075-090  
\*2-31.12.81.2

D

D

E

E

F

F

-T TIME 090-030  
TR3  
31.92.10.2  
-T TIME 000-060  
TR5  
31.92.10.2

-MA  
SBA U  
T 02BA  
0805  
DAB-  
03  
36

I  
SBA U  
T 02BA  
0805  
JLVB  
04  
46

DE  
SBA U  
T 02BA  
0813  
PP-  
03  
56

BU TIME 030-000  
\*3-31.12.81.2

G

G

-T TIME 060-000  
TR5  
31.92.10.2

-MAD  
SBA U  
T 02BA  
0812  
D6P-  
02  
4H

BU TIME 060-000  
\*4-31.12.81.2

H

H

\*1-0288F02F  
\*3-0288F02H

==== DIRECT  
==== DIRECT

==== 0183A81C  
==== 0183E02L

\*2-0288F026  
\*4-0288F01H

==== DIRECT  
==== 0183D04H

==== 0183802J

COMMENTS

TAG DATE E.C.NO. TAG DATE E.C.NO. TAG DATE E.C.NO. TAG DATE E.C.NO.  
A 04-02-63 TA1607 B 04-17-63 TA1607B

IBM BRITISH LABORATORIES  
WIMBORNE  
U.S. FORM NO. 616-101-1

1607 B

789935

A

A

-T TIME 030-090  
TR3  
31.92.10.2

MAD  
SBA  
T  
02BA  
BB17  
D60  
02  
4B

-T TIME 090-030  
34.96.31.1  
\*2-31.12.91.2

B

B

C

C

D

D

-T TIME 045-105  
TR4  
31.92.10.2  
-T TIME 075-015  
TR2  
31.92.01.2

MAD  
SBA  
U  
02BA  
BB12  
D60  
03  
4E

-T TIME 075-105  
\*3-31.12.91.2  
\*4-34.92.61.1  
34.92.11.1

E

E

-T QUI BI CHECK  
34.96.31.1 \*1

-T QUI BI CHECK  
\*5-34.32.20.2

F

F

G

G

H

H

J

J

\*1-0288C01D  
01B3E02F

\*2-0288F02K  
\*4-02888036

DIRECT  
02A7F236

01B3A030  
\*5-0288C02N

\*3-0288F02L  
DIRECT

DIRECT  
01B6F03J

COMMENTS

TAG	DATE	E.C.NO.	TAG	DATE	E.C.NO.	TAG	DATE	E.C.NO.	TAG	DATE	E.C.NO.
A	04-02-63	TA1007	B	04-17-63	TA1007B	C	11-22-63	TA1988A	D		

-T TIME 075-015

TR1 31.92.01.2

-T TIME 105-045

TRM 31.92.10.2

MAD  
SBA  
T  
02BA  
08B5  
08P  
01  
4E

-T TIME 045-075

\*1-31.12.92.2

B

-CO  
SBA  
T  
02BC  
08F03  
JFVN  
01  
5B

+U TIME 045-080

\*2-34.10.41.2

-T TIME 060-000

TR1 31.92.32.1

-CO  
SBA  
T  
02BC  
08F03  
JFVN  
01  
5C

C

D

-T TIME 080-060

TR1 31.92.01.2

MAD  
SBA  
T  
02BA  
08B5  
08P  
01  
4E

+U TIME 080-060

\*3-31.12.92.2

E

F

G

H

I

\*1-020002M  
DIRECT

DIRECT  
018302H

018301K

\*2-020002F

018603F

\*3-020002N

COMMENTS TAG DATE E.C.NO. TAG DATE E.C.NO. TAG DATE E.C.NO. TAG DATE E.C.NO.

A 04-02-63 FAT007

B 04-17-63 FAT007

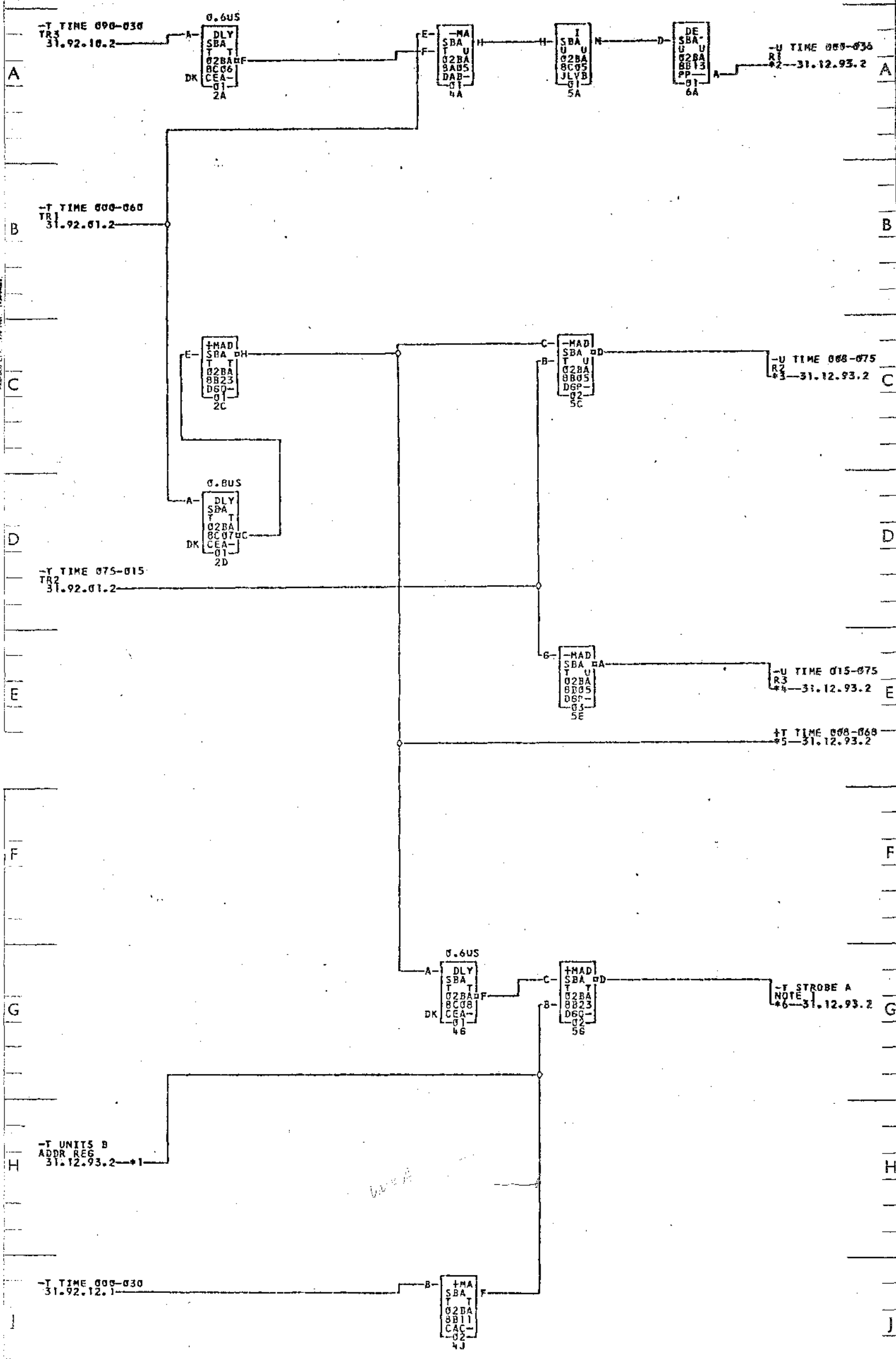
C 01-16-64 FAT086

IBM BRITISH LABORATORY  
WIMBORNE  
MILBORN RD. ENGLAND

0789936

15880



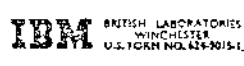


\*1-0288F02P      DIRECT      01B3E01D      \*2-0288F020      DIRECT      01B3A02A  
 \*3-0288F02R      DIRECT      01B3F050      \*4-0288A03A      DIRECT      01B3C04A      \*5-0288A03J  
 01B3C04J      \*6-0288A03B      01B3C04B

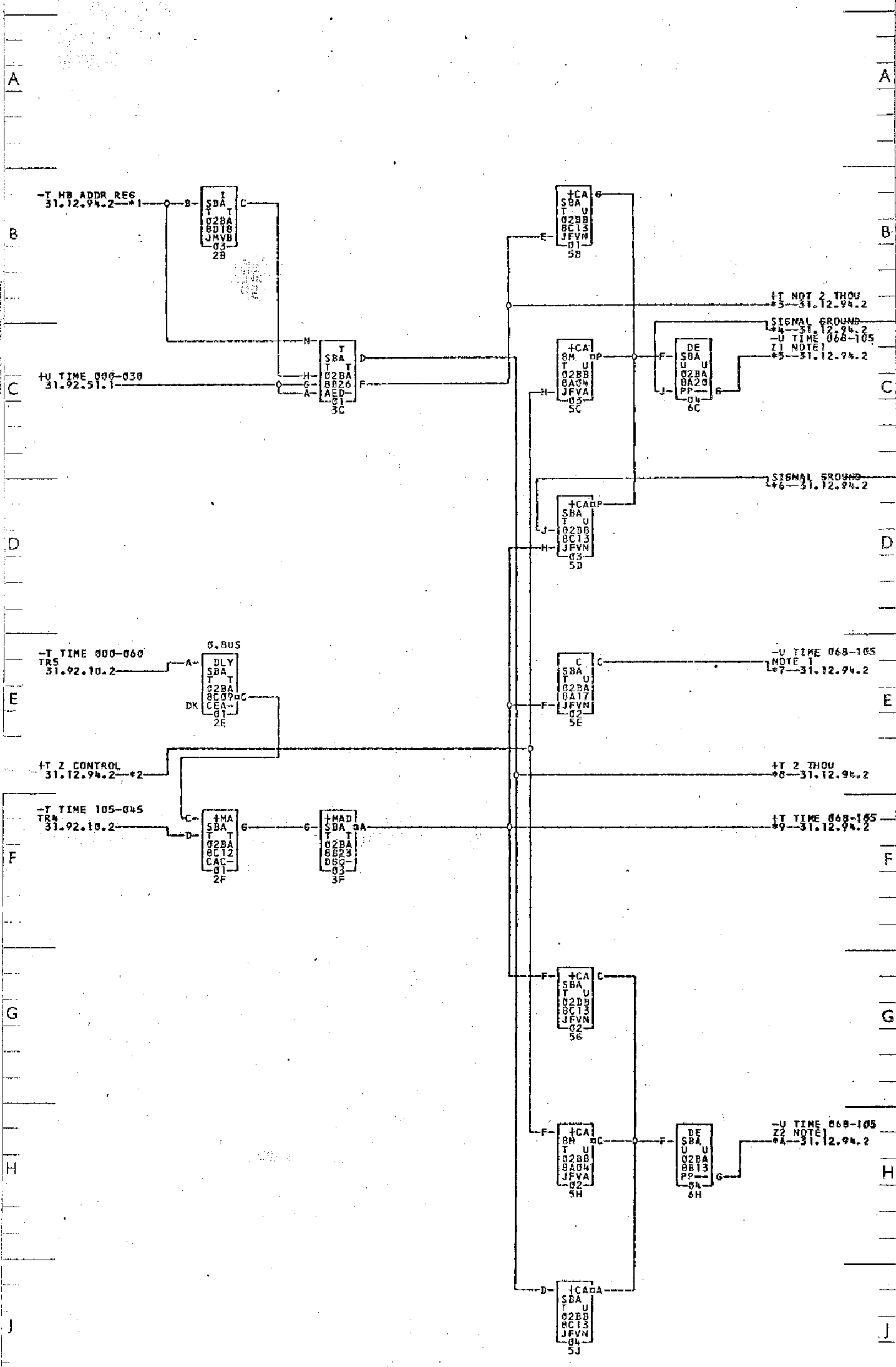
NOTE 1. TIMING AND ALLOWABLE TOLERANCES OF STORAGE PULSES ARE FOUND ON REFERENCE LOGIC 4240532\*\*

COMMENTS

TAG	DATE	E.C.NO.	TAG	DATE	E.C.NO.	TAG	DATE	E.C.NO.	TAG	DATE	E.C.NO.
A	04-02-63	TA1607	B	04-17-63	TA1607B						



A. 1607 B



- \*1-0288A03C
- \*2-0288A03H
- \*3-0288A03D
- \*4-0288A03E
- \*5-0288A036
- \*6-0288A030
- \*7-0288A03N
- \*8-0288A03F
- \*9-0288A03L
- \*A-0288A03M
- 01B3C04D
- 01B3C04Q
- 01B3C04E
- 01B3C04L
- 01B3C04H
- 01B3C04M

NOTE 1 TIMING AND ALLOWABLE TOLERANCES OF STORAGE PULSES ARE FOUND ON REFERENCE LOGIC 42.40.53.2

TAG	DATE	E.C.NO.	TAG	DATE	E.C.NO.	TAG	DATE	E.C.NO.
A	04-02-63	TA1607	B	04-17-63	TA1607B			

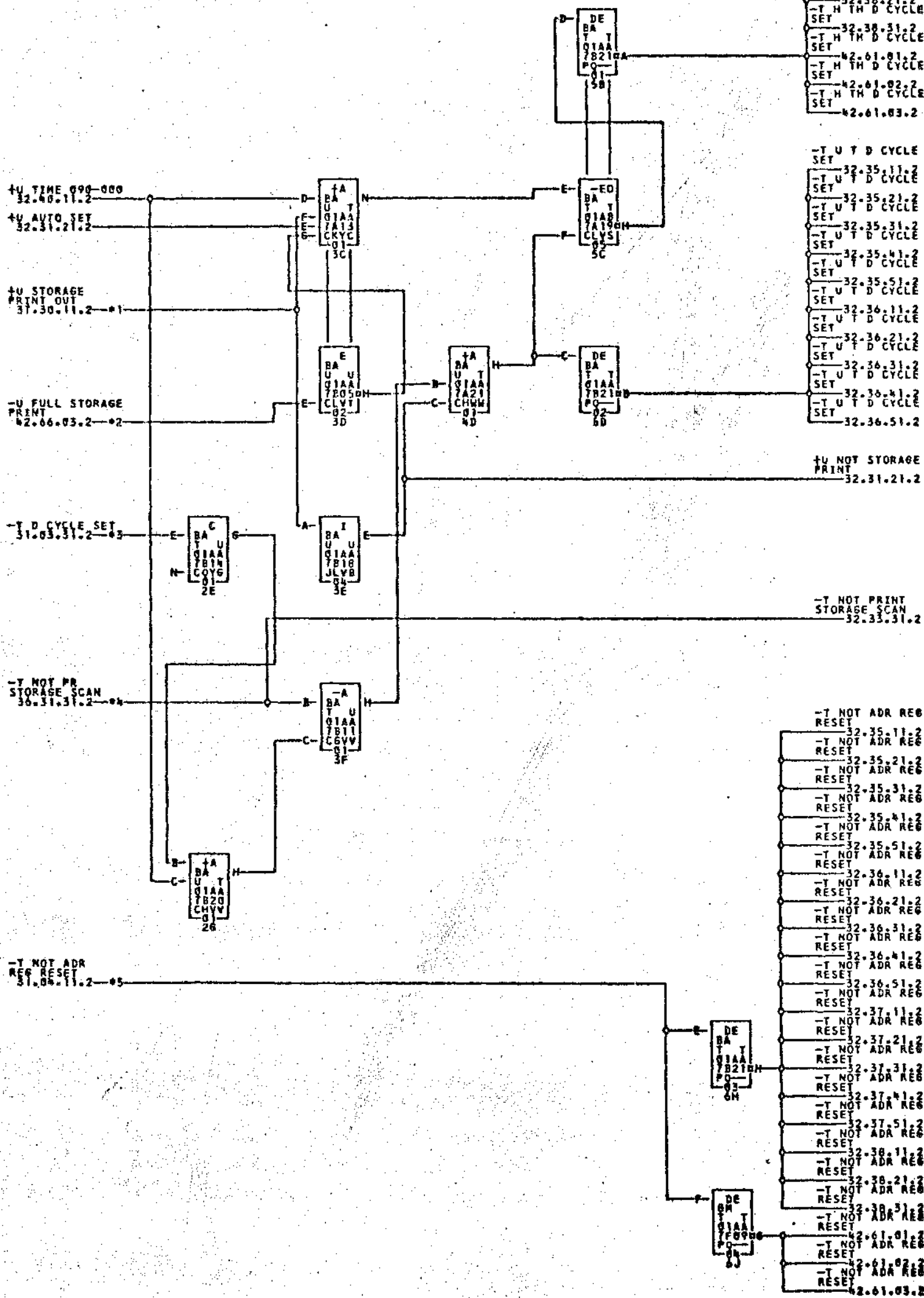
2 1607 B

A 28.6.62

TA 1344

B 12.3.63

TA 1775



\*1-01A7E25B \*2-01A7F23D \*3-01A7D26F \*4-01A7D25F \*5-01A7D26J

COMMENTS

TAG DATE	E.C.NO.	TAG DATE	E.C.NO.	TAG DATE	E.C.NO.	TAG DATE	E.C.NO.
A 12-20-61	115208	B 12-14-62	115194				

1775  
724570

OPEN  
01AA  
7A22  
01  
2A

OPEN  
01AA  
7D22  
01  
3A

OPEN  
01AA  
7F14  
01  
4A

01AB  
CONN  
BA  
01AA  
7A23  
01  
2B

NOTE 1  
IFC  
CONN  
OPT  
01AA  
7A24  
01  
3B

01AB  
CONN  
BA  
01AA  
7A25  
01  
4B

MNCA  
CONN  
BA  
01AA  
7A26  
01  
5B

01AB  
CONN  
CF  
01AA  
7B23  
01  
2C

NOTE 2  
IFC  
CONN  
01AA  
7B24  
01  
3C

IFC  
CONN  
IN  
01AA  
7B25  
01  
4C

01AB  
CONN  
BA  
01AA  
7B26  
01  
5C

IFC  
CONN  
OP  
01AA  
7C22  
01  
2D

1406  
CONN  
BM  
01AA  
7C23  
01  
3D

01A2  
CONN  
BA  
01AA  
7C24  
01  
4D

01A1  
CONN  
BA  
01AA  
7C25  
01  
5D

01B5  
CONN  
BA  
01AA  
7C26  
01  
6D

1406  
CONN  
BM  
01AA  
7D23  
01  
2E

01A1  
CONN  
BA  
01AA  
7D24  
01  
3E

01A6  
CONN  
BA  
01AA  
7D25  
01  
4E

01B2  
CONN  
BA  
01AA  
7D26  
01  
5E

01A8  
CONN  
BA  
01AA  
7E23  
01  
2F

01A1  
CONN  
BA  
01AA  
7E24  
01  
3F

01A2  
CONN  
BA  
01AA  
7E25  
01  
4F

01A2  
CONN  
BA  
01AA  
7E26  
01  
5F

1406  
CONN  
BM  
01AA  
7F23  
01  
2G

IFC  
CONN  
IN  
01AA  
7F24  
01  
3G

01B2  
CONN  
BA  
01AA  
7F25  
01  
4G

01A8  
CONN  
BA  
01AA  
7F26  
01  
5G

NOTE 1-THIS CABLE NECESSARY IF EITHER  
PROC OYLP MULT DIV OR  
ADV PROG IS PRESENT  
NOTE 2-THIS CABLE NECESSARY IF EITHER  
ADV PROG OR FILE IS PRESENT

TAG DATE E.C.NO. TAG DATE E.C.NO. TAG DATE E.C.NO. TAG DATE E.C.NO.  
A 05-02-62 116161A B 12-14-62 116149F

724914

0720571

AUTO SCAN CONTROL-1

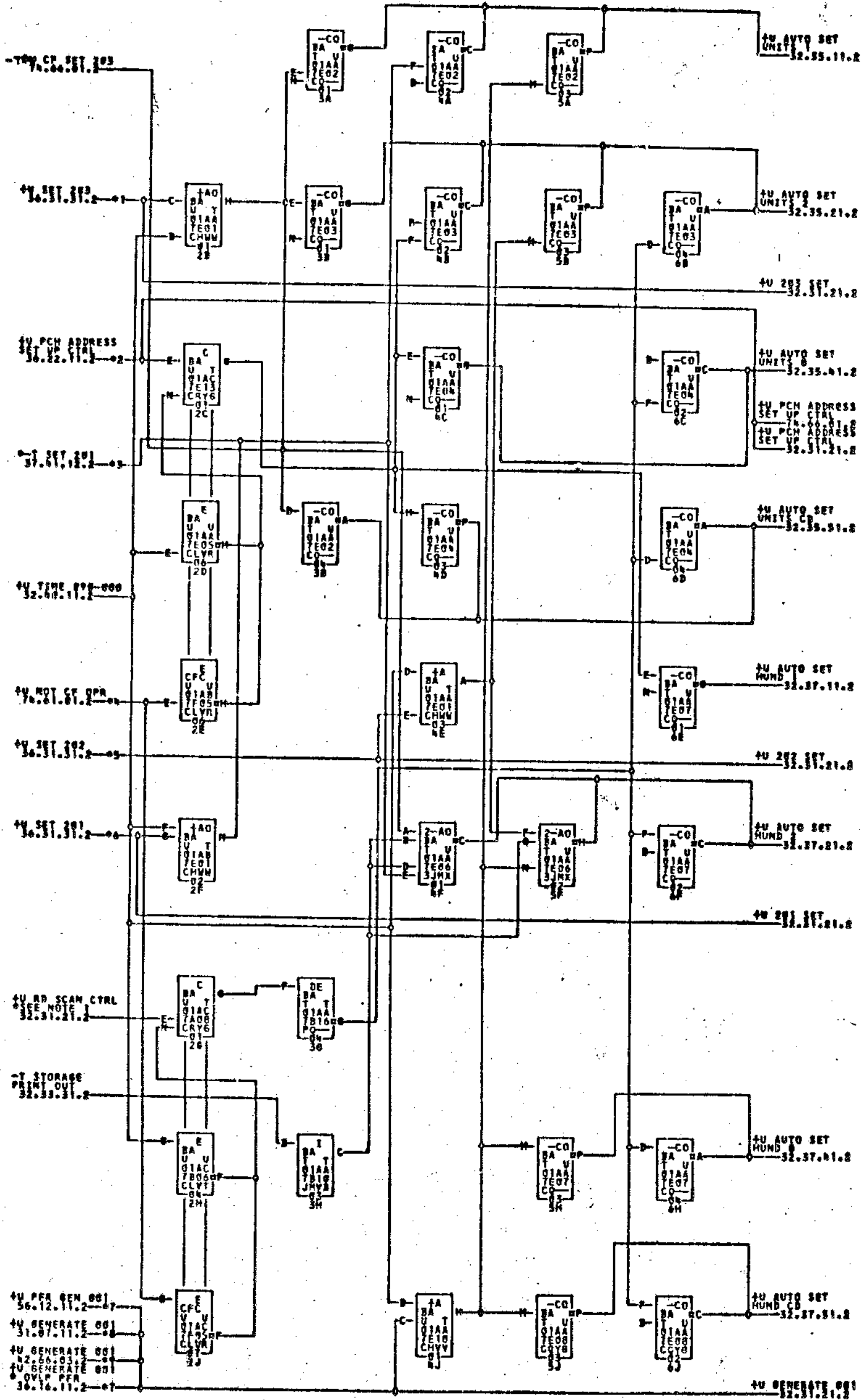
1001 BA

25-01-11-2

TAG DATE

12.12.62  
TA 1567A

C 12.3.63  
TA 1776

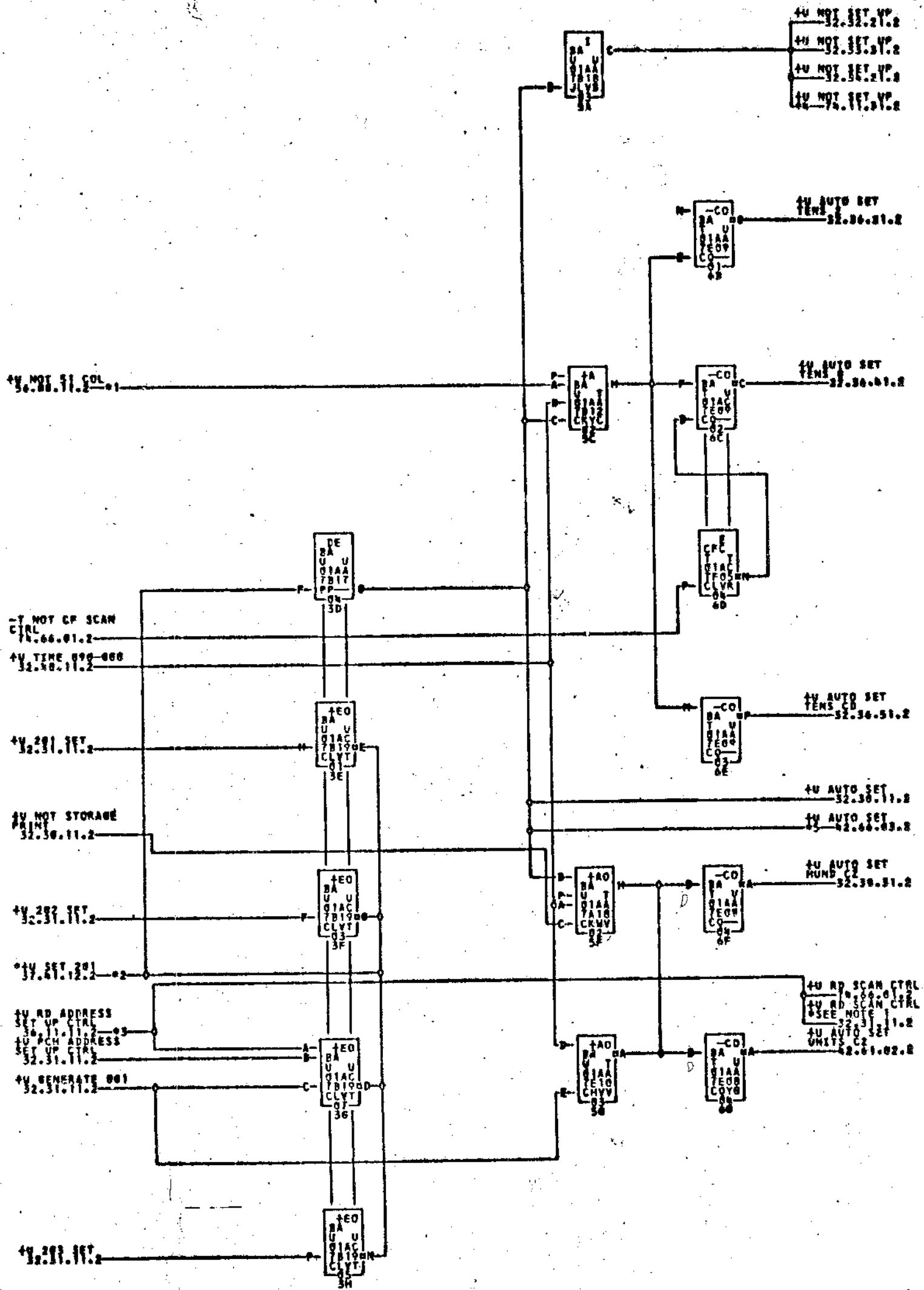


01=01A7B23E    02=01A7B23E    03=01A7B23E    04=01A7B23E    05=01A7B24L    06=01A7B25B

NOTE-WHEN A SIGNAL IS PRECEDED BY AN ASTERISK ITS EXPANSION INDICATED  
 CABLE CONNECTIONS FOR REMOTE CONTROL INSTALLATION

TAG DATE 12-24-61 FIG NO 112296    TAG DATE 01-02-62 FIG NO 116197A    TAG DATE 12-10-62 FIG NO 116197A    TAG DATE 12-10-62 FIG NO 116197A    TAG DATE 12-10-62 FIG NO 116197A

724571  
 1715

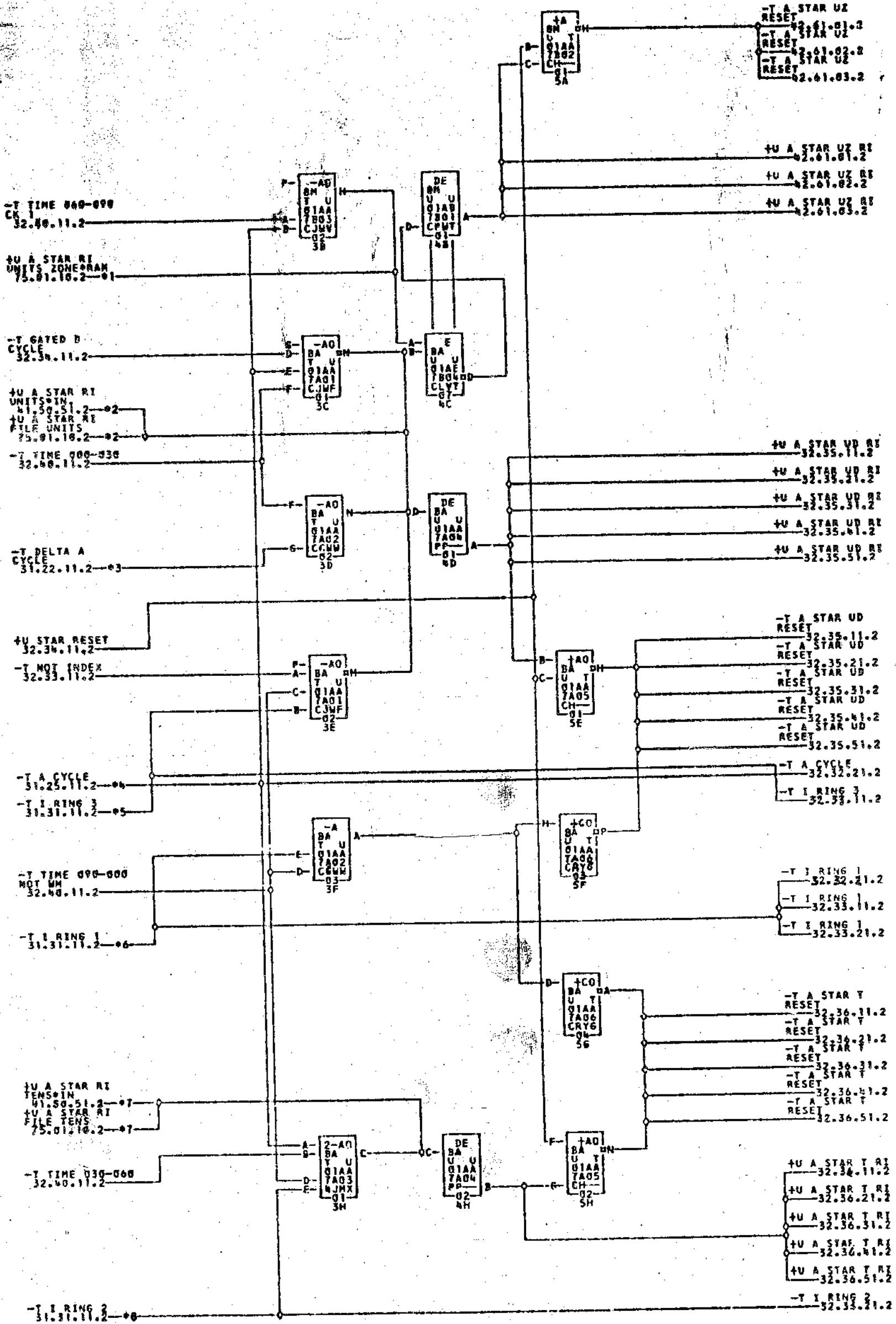


01-0210783N    02-0110783N    03-0210783N    04-0110783N    05-0110783N    06-0110783N    07-0110783N

NOTE 1 THIS SIGNAL IS NOT CONNECTED WHEN 51 COL OPTION IS INSTALLED  
 NOTE 2 WHEN A SIGNAL IS PRECEDED BY AN ASTERISK ITS EXPANSION INDICATES CABLE CONNECTIONS FOR REMOTE CONSOLE INSTALLATION

TAG DATE	FIG NO	TAG DATE	FIG NO	TAG DATE	FIG NO	TAG DATE	E.C. NO.
12-20-61	1122008	05-01-62	1122008	12-14-62	1122008		

724572



\*1-01A7A23D

\*2-01A7B24K

\*3-01A7D26L

\*4-01A7D26G

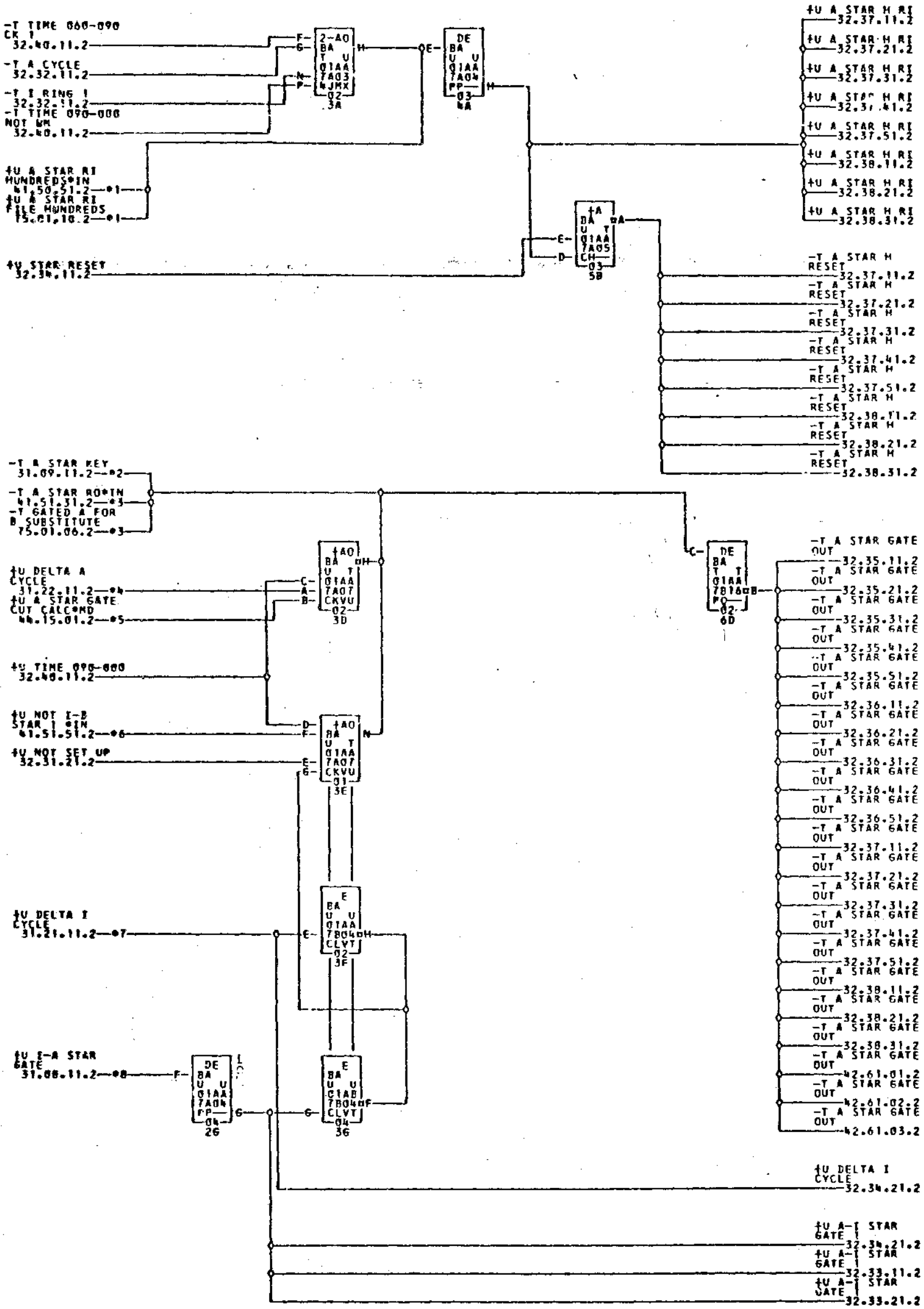
\*5-01A7D26C

\*6-01A7D26A

COMMENTS

TAG DATE	E.C.NO.	TAG DATE	E.C.NO.	TAG DATE	E.C.NO.	TAG DATE	E.C.NO.
A 12-20-61	1122390	12-14-62	1167497				

724573



\*1-01A7B24M  
\*7-01A7F25F

\*2-01A7F25K  
\*8-01A7F25A

\*3-01A7B24N

\*4-01A7F25E

\*5-01A7A23H

\*6-01A7B24F

COMMENTS

TAG DATE	E.C.NO.	TAG DATE	E.C.NO.	TAG DATE	E.C.NO.	TAG DATE	E.C.NO.
A 12-20-61	1122696	D 12-14-62	116749F				

724574



0724575

D STAR CONTROL UNITS

1401 BA

32.33.11.2

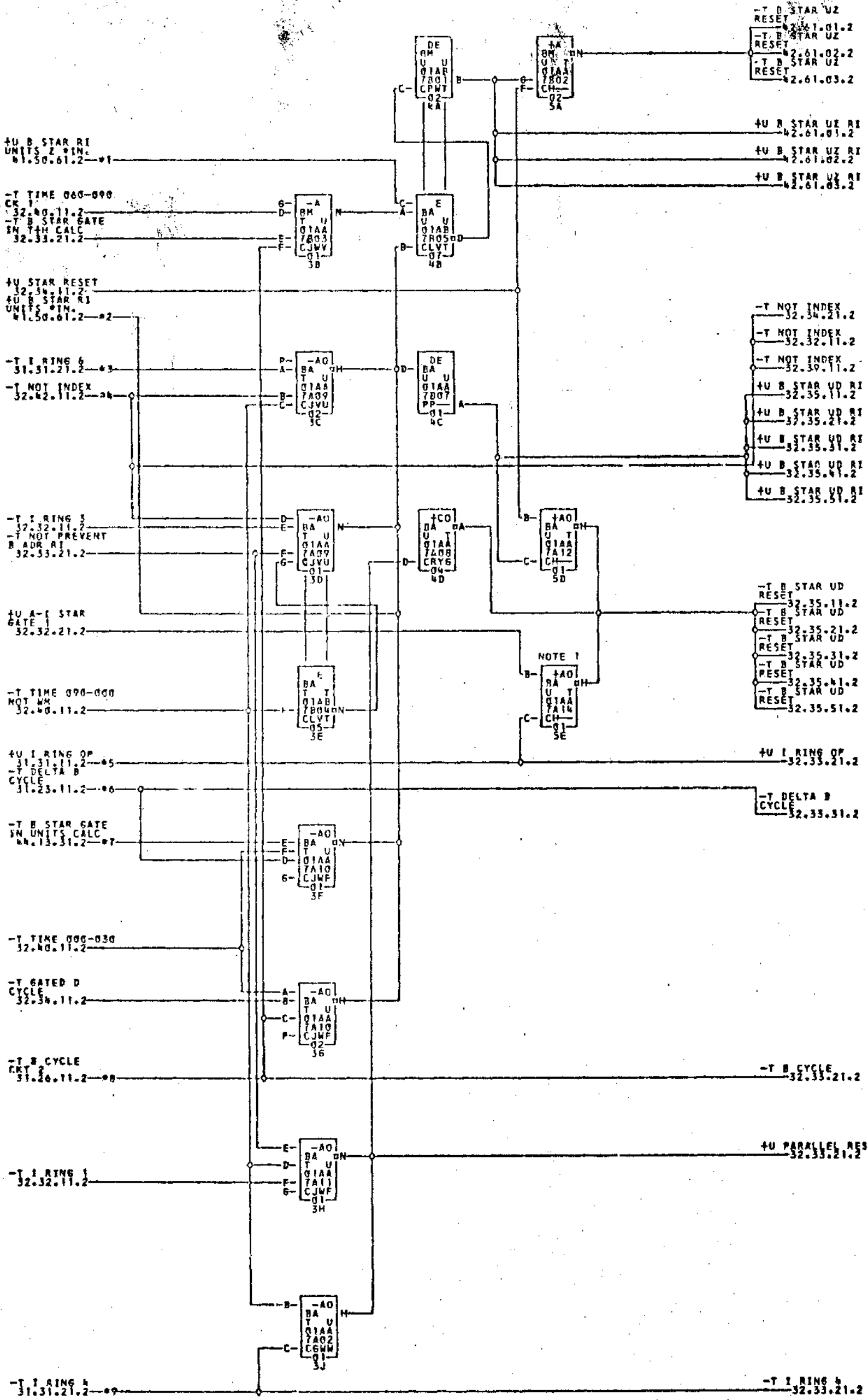
TAG DATE

A 28.5.62

TA 1344

B 12.3.63

TA 1775



- 01-01A7E23P
- 02-01A7B24C
- 03-01A7D26F
- 04-01A7A23F
- 05-01A7F25D
- 06-01A7D26M
- 07-01A7A23K
- 08-01A7E26H
- 09-01A7D26D

NOTE 1 REMOVE THIS CARD IF APP FEATURE INSTALLED

COMMENTS	TAG DATE	E.C.NO.	TAG DATE	E.C.NO.	TAG DATE	E.C.NO.	TAG DATE	E.C.NO.
	A 12-20-61	1122696	B 12-14-62	118749F				

724575

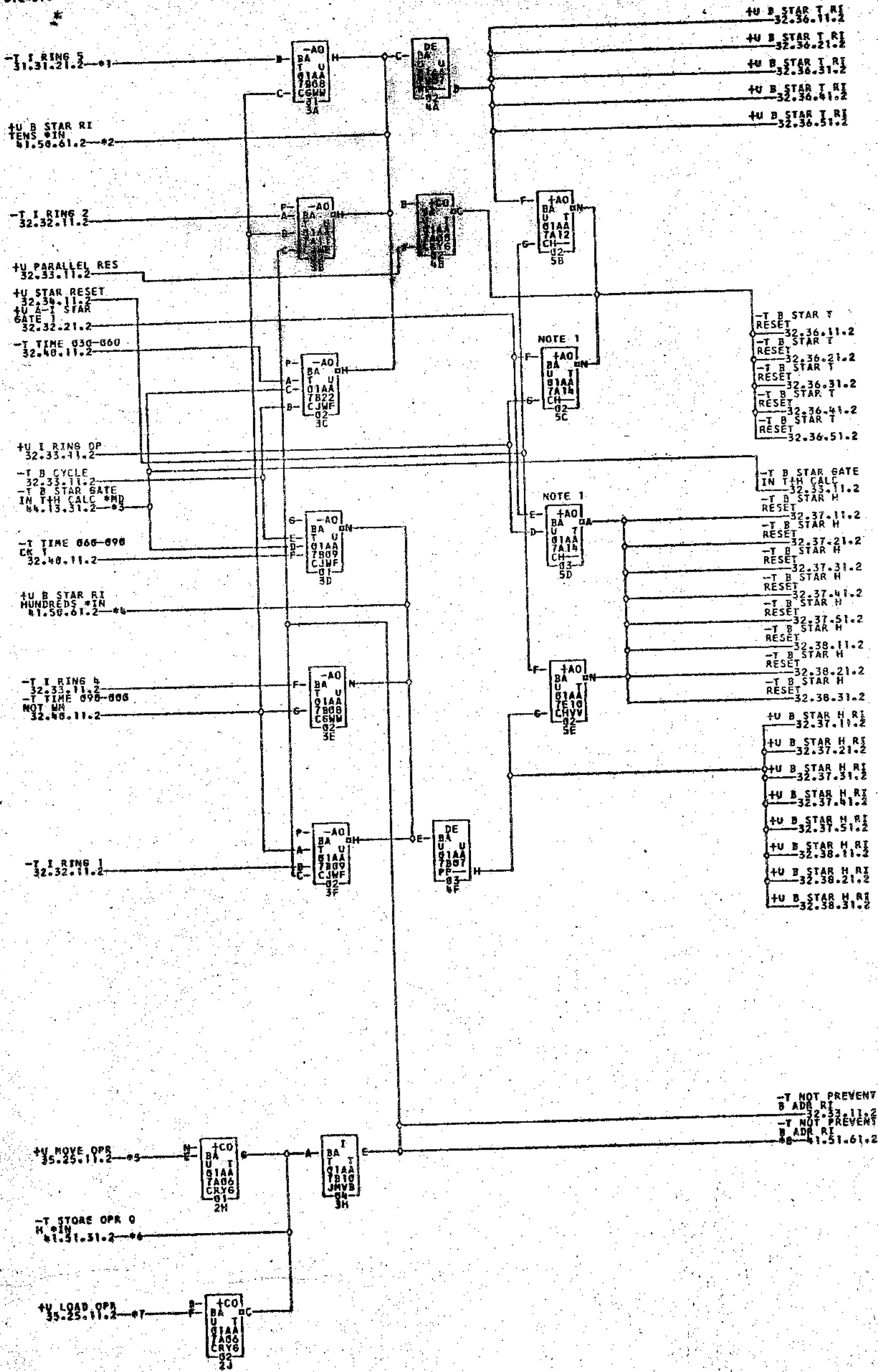
724576

B-STAR CONTROL TENS AND HUNDREDS

1401 BA 32.33.21.2

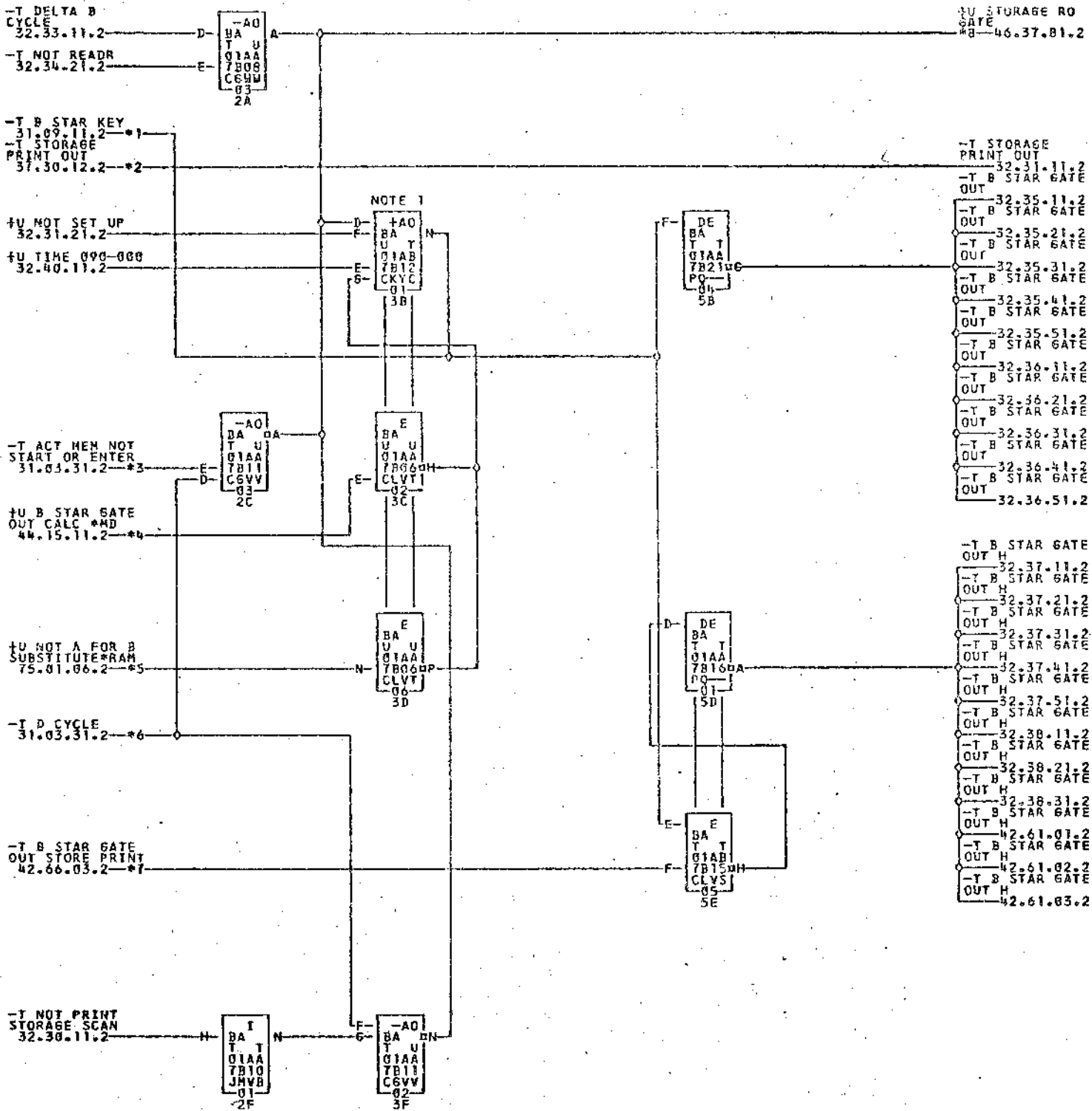
TAG DATE

A 28.5.62  
TA 1344  
B 12.3.63  
TA 1775



- \*1-01A7D245
- \*2-01A7B240
- \*3-01A7G735
- \*4-01A7B235
- \*5-01A7A26K
- \*6-01A7B249

724576



\*1-01A7E25J  
\*1-01A7E236

\*2-01A7E25C  
\*8-01A7D25K

\*3-01A7E25Q  
01A6C26R

\*4-01A7A23J  
01A6C25L

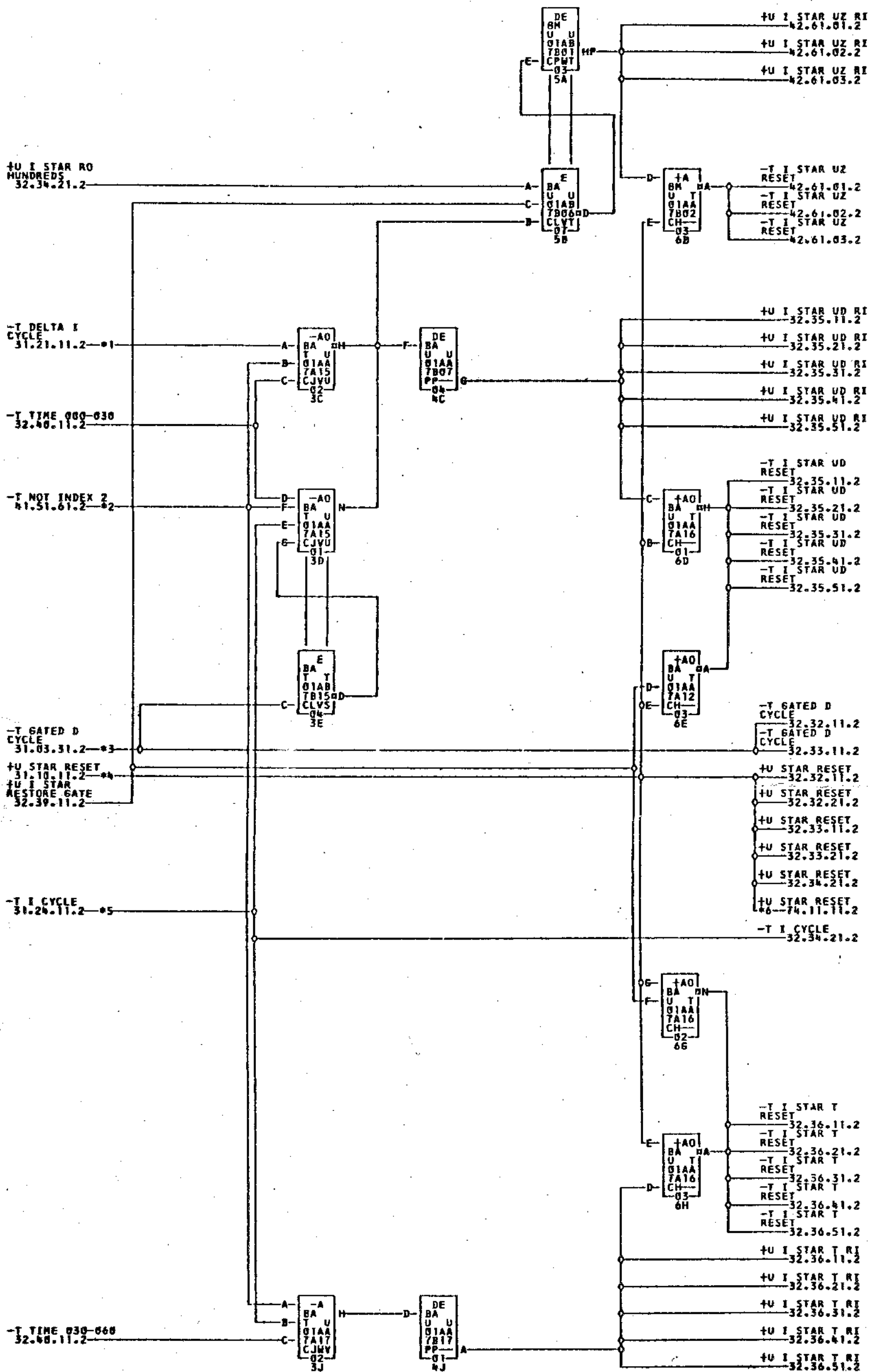
\*5-01A7E25N  
01A5D24L

\*6-01A7F25R

COMMENTS  
NOTE 1-TIE F25N TO F21J ON  
MACHINES WITHOUT RAMAC FEATURE

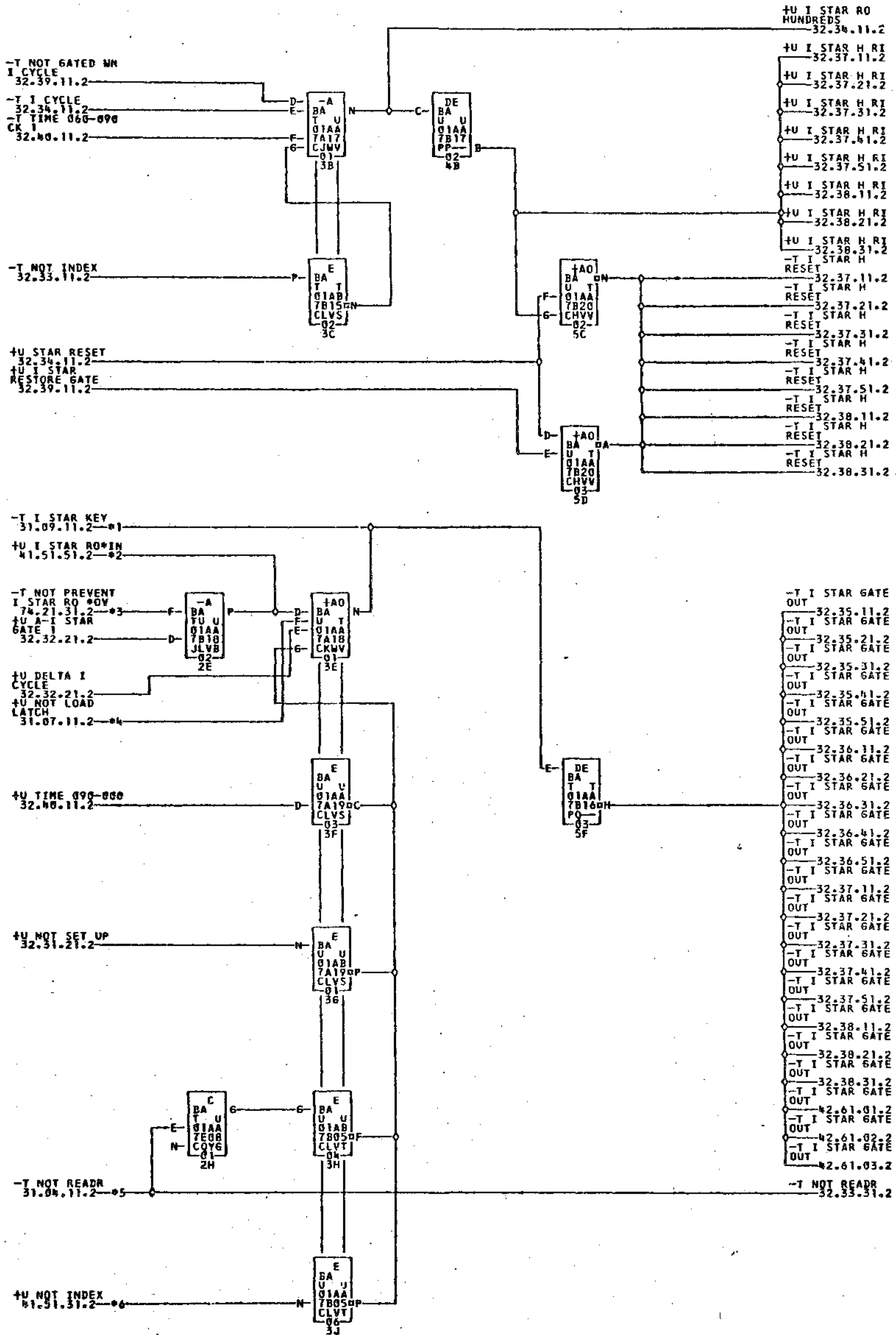
TAG DATE E.C.NO. TAG DATE E.C.NO. TAG DATE E.C.NO. TAG DATE E.C.NO.  
A 12-20-61 1122696 B 12-14-62 116749F

724577



- \*1-01A7D26N  
02B1F03P
- \*2-01A7B24J
- \*3-01A7F250
- \*4-01A7A260
- \*5-01A7A26N
- \*6-01A7C22P

724578



\*1-01A7F25H

\*2-01A7B24P

\*3-01A7C22C

\*4-01A7F25C

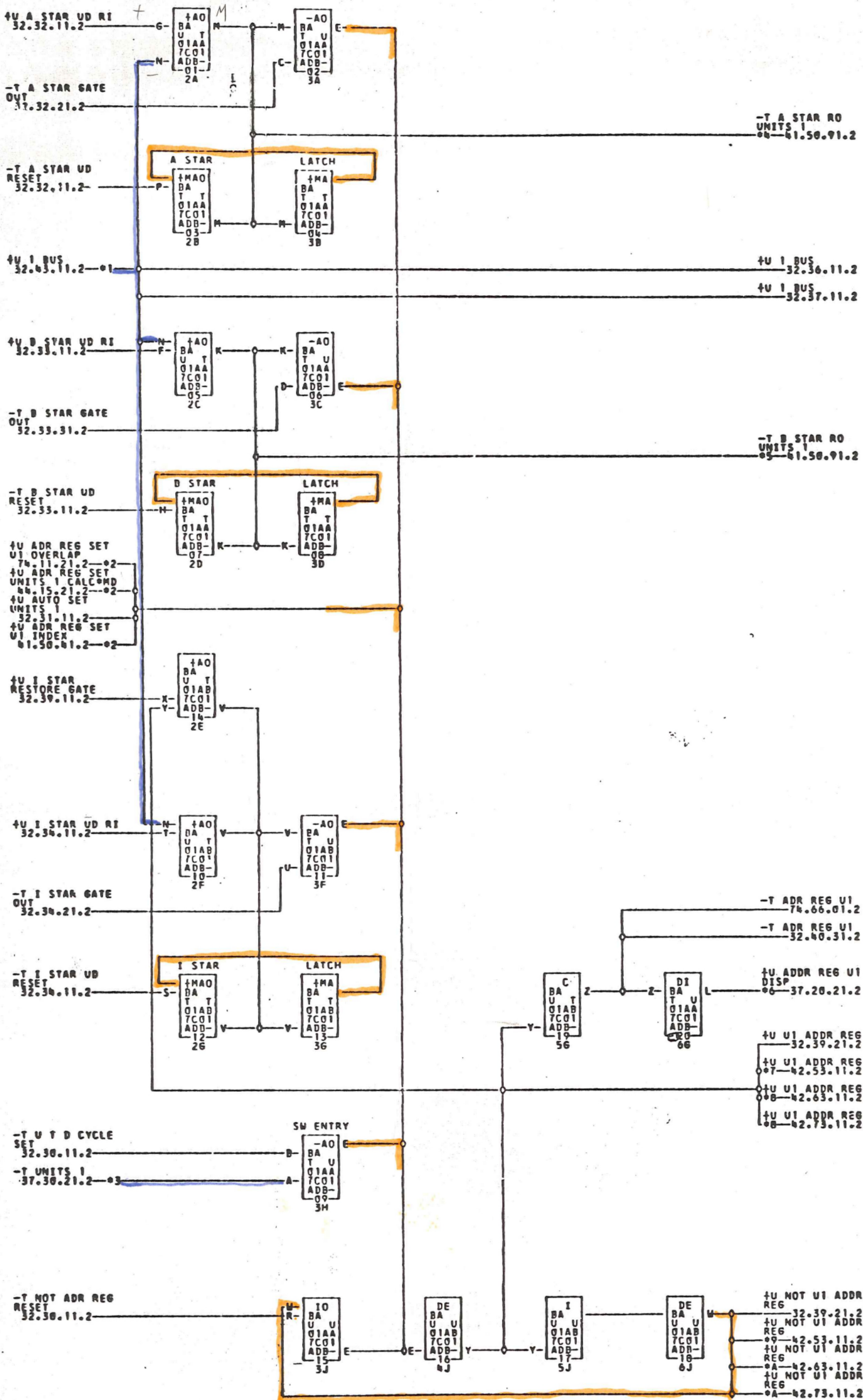
\*5-01A7F25B

\*6-01A7B24H

COMMENTS

TAG DATE	E.C. NO.	TAG DATE	E.C. NO.	TAG DATE	E.C. NO.	TAG DATE	E.C. NO.
A 12-20-61	1122696	B 12-14-62	116749F				

724579



01-01A7B26A  
02-01A7B25D  
03-01A1E61A  
04-06B7A04A

05-01A7A24A  
06-02A9B07C  
07-01A7C23A

08-01A7E26A  
09-02B6B01D  
10-06B7A01A

11-01A7F24C  
12-01A7C24A  
13-01A7D24A

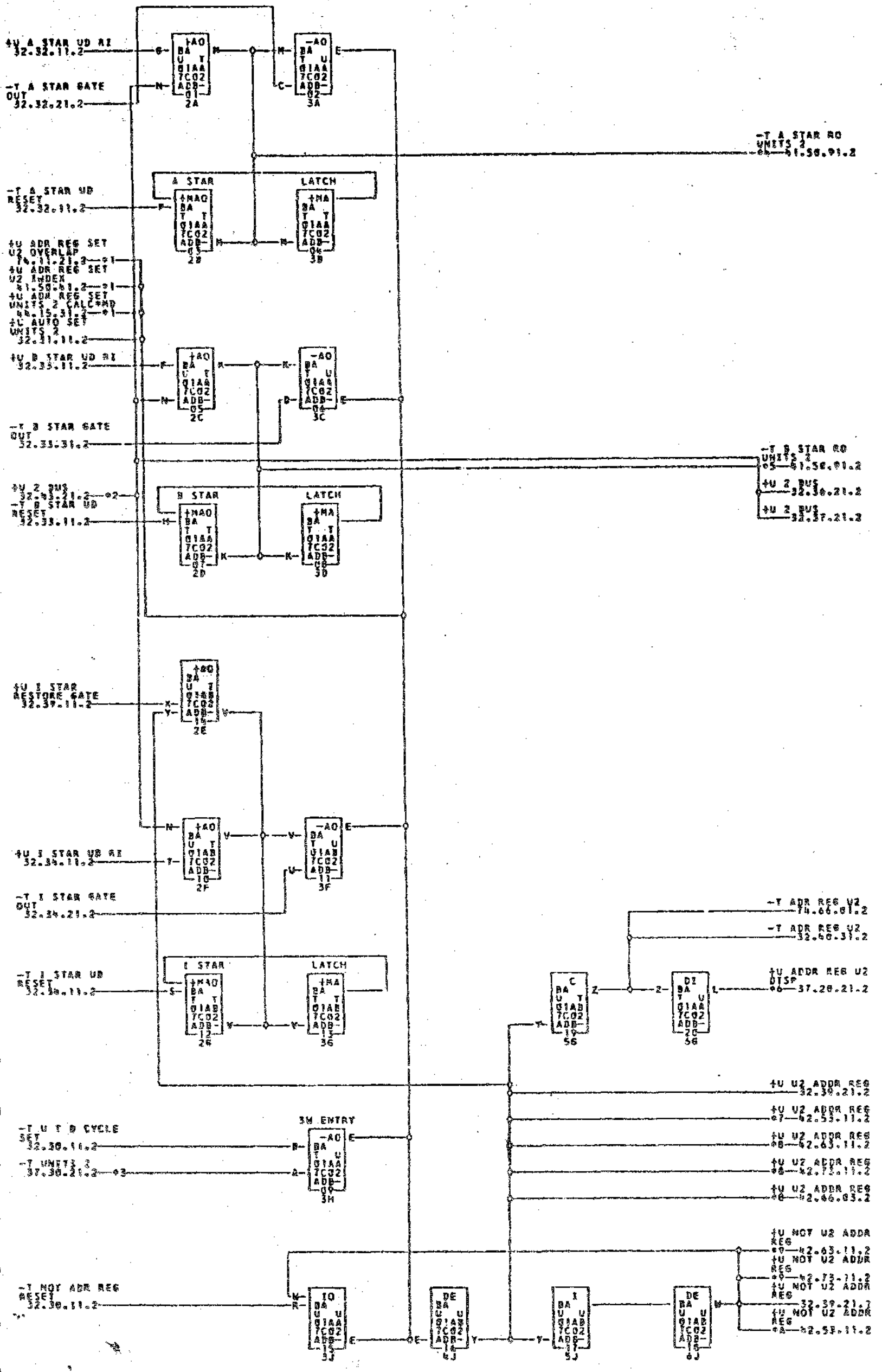
14-02A9B05D  
15-01A2A01A  
16-01A1E02A

17-02B6D01C  
18-01A7C25A  
19-01A7D23A

COMMENTS

TAG DATE E.C.NO. TAG DATE E.C.NO. TAG DATE E.C.NO. TAG DATE E.C.NO.  
A 12-20-61 1122096 B 12-14-62 116709F

724580



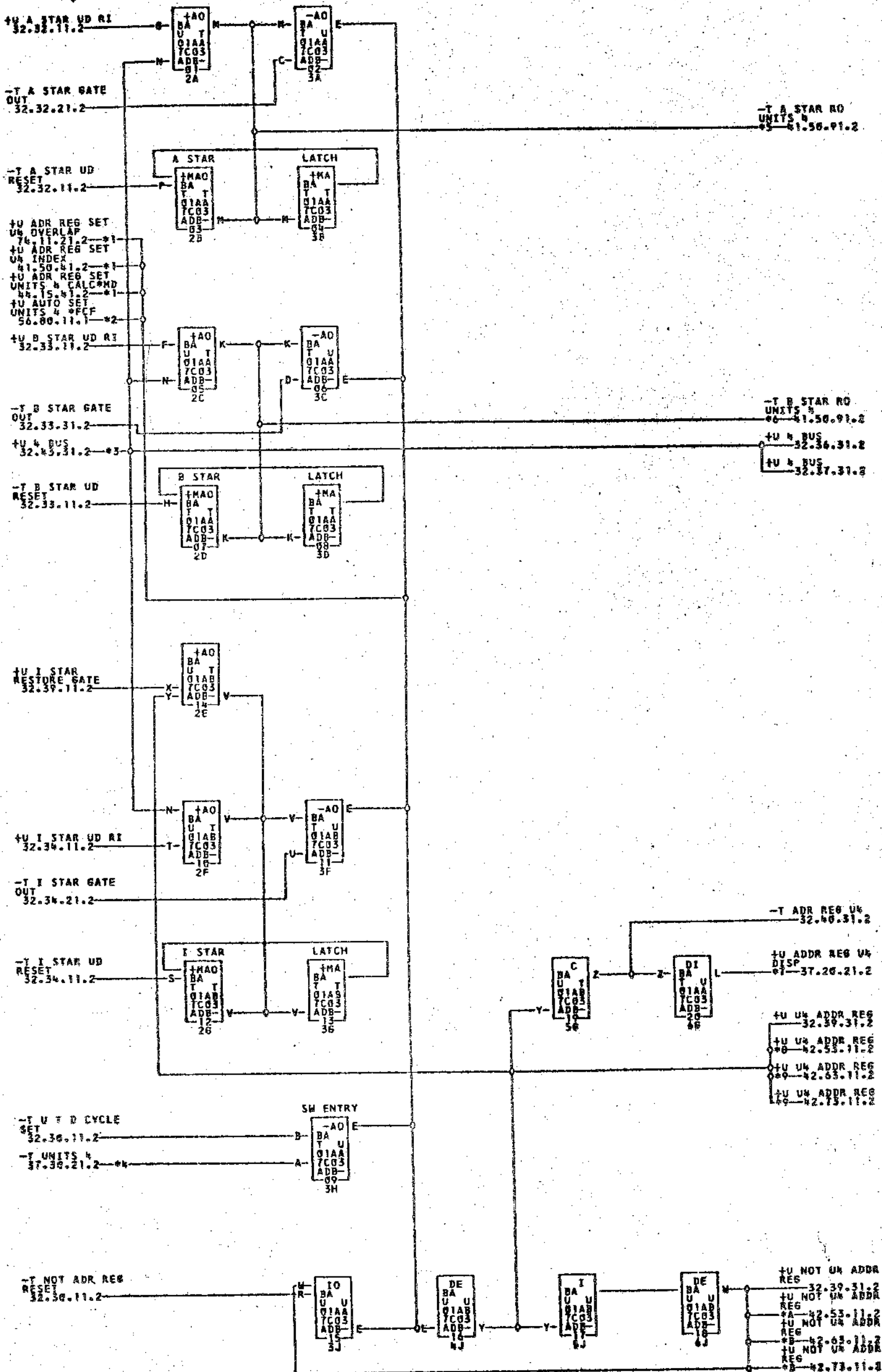
- \*1-01A7A234
- \*2-01A7B265
- \*3-01A7C248
- \*4-01A7D238
- \*5-01A7E238
- \*6-01A7F238
- \*7-01A7G238
- \*8-01A7H238
- \*9-01A7I238
- \*10-01A7J238
- \*11-01A7K238
- \*12-01A7L238
- \*13-01A7M238
- \*14-01A7N238
- \*15-01A7O238
- \*16-01A7P238
- \*17-01A7Q238
- \*18-01A7R238
- \*19-01A7S238
- \*20-01A7T238

COMMENTS

TAG DATE E.C.NO. TAG DATE E.C.NO. TAG DATE E.C.NO. TAG DATE E.C.NO.

A 12-20-61 1122496 B 12-14-62 1127497

724531



- \*1-01A7A2NC
- \*2-01A7B23P
- \*3-01A7B26C
- \*4-01A7E26C
- \*5-01A7F26J
- \*6-02A9B17E
- \*7-02B0D01J
- \*8-01A7C23C
- \*9-01A7C23C
- \*10-02B0D01K
- \*11-01A7C26C
- \*12-01A2A01C
- \*13-01A7B26C
- \*14-01A7E26C
- \*15-01A7E26C

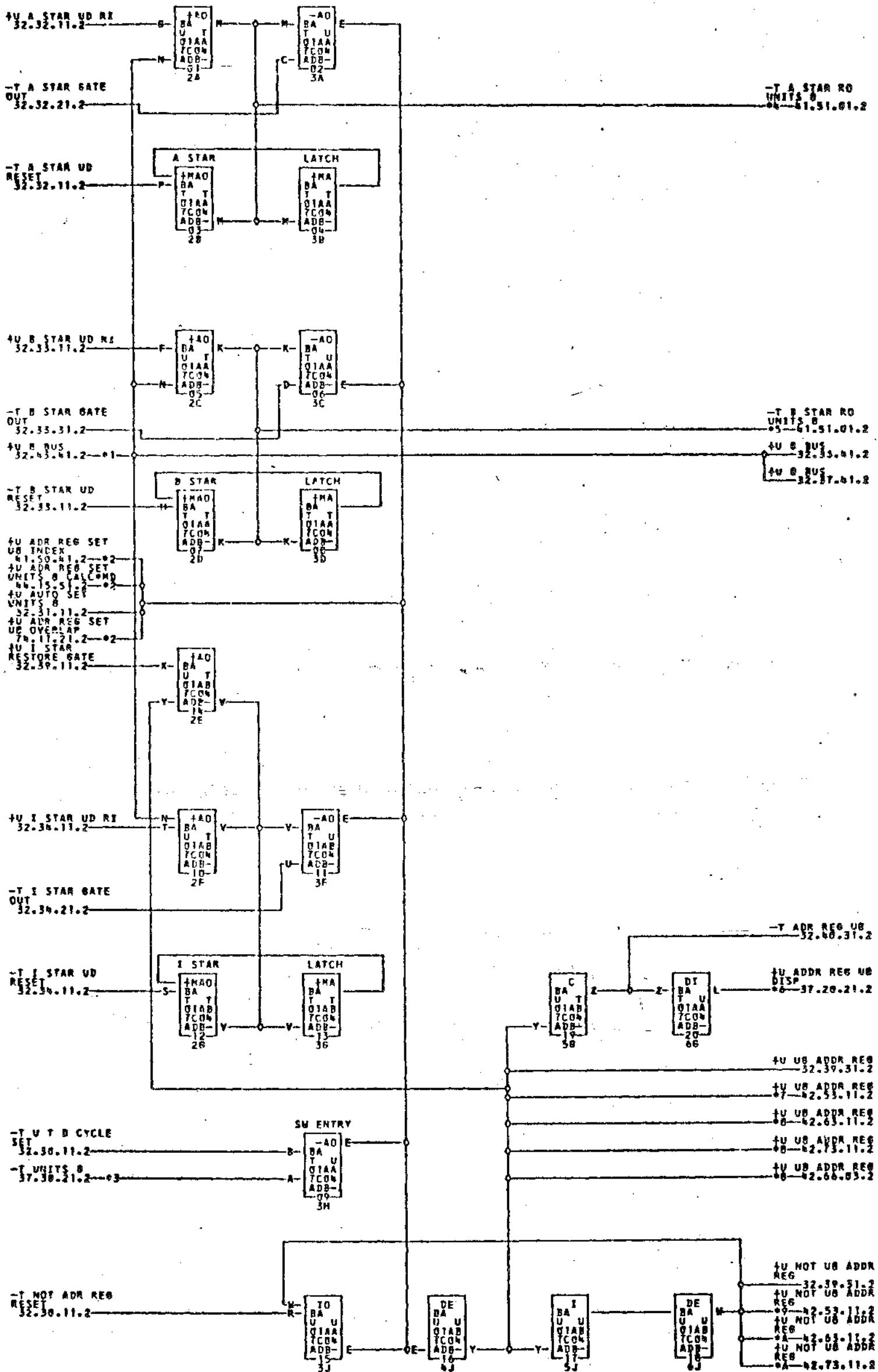
COMMENTS

TAG DATE F.C.NO. TAG DATE F.C.NO. TAG DATE F.C.NO. TAG DATE F.C.NO.

A 12-28-61 1122400 B 12-14-62 1181400

724582





COMMENTS TAG DATE E.C.NO. TAG DATE E.C.NO. TAG DATE E.C.NO. TAG DATE E.C.NO.

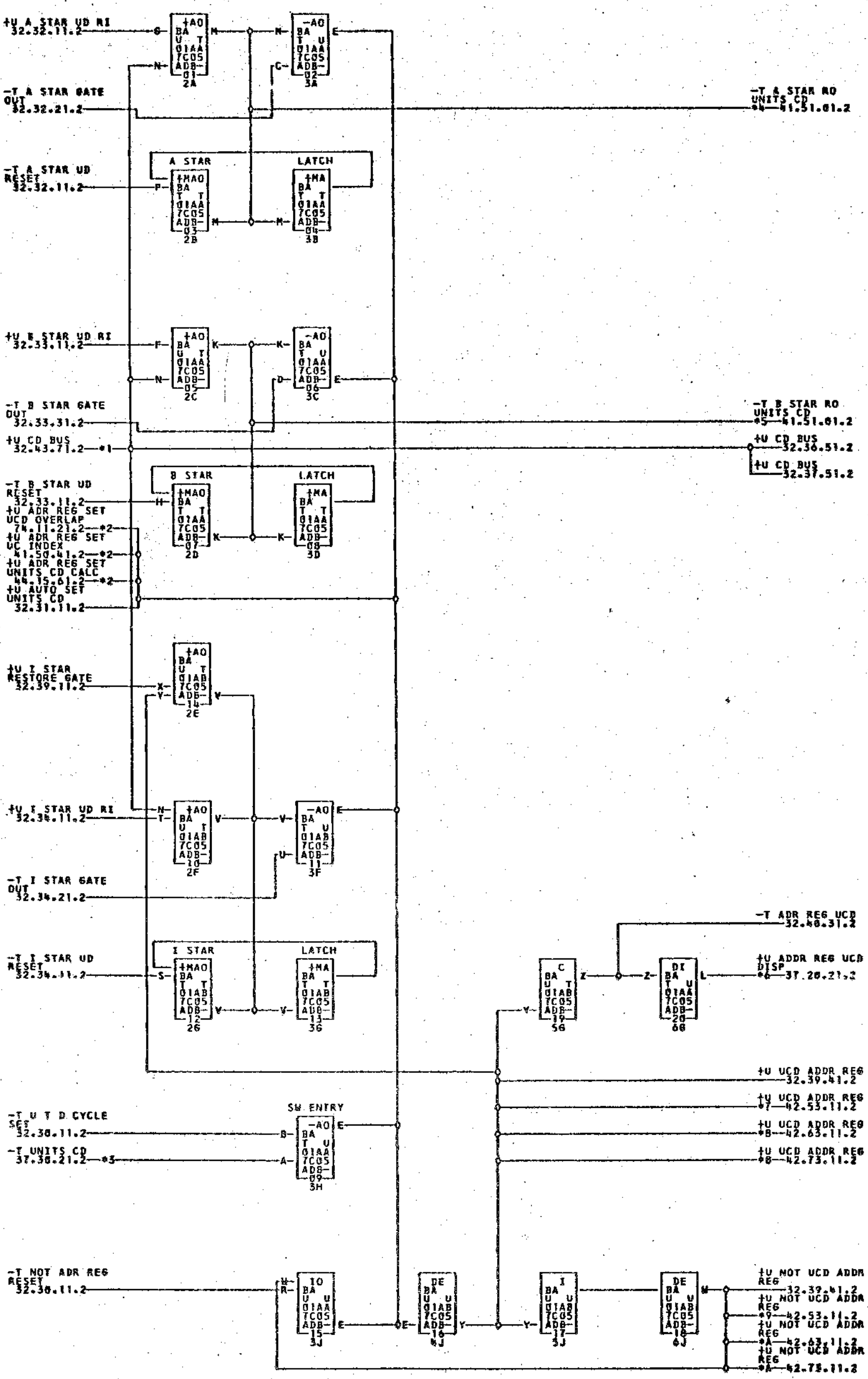
A 12-20-61 1122508

B 12-18-62 1167404

724583

UA + UB schema 42-61-03-2

A 28.5.62  
FA 1344  
B 12.3.63  
FA 1775

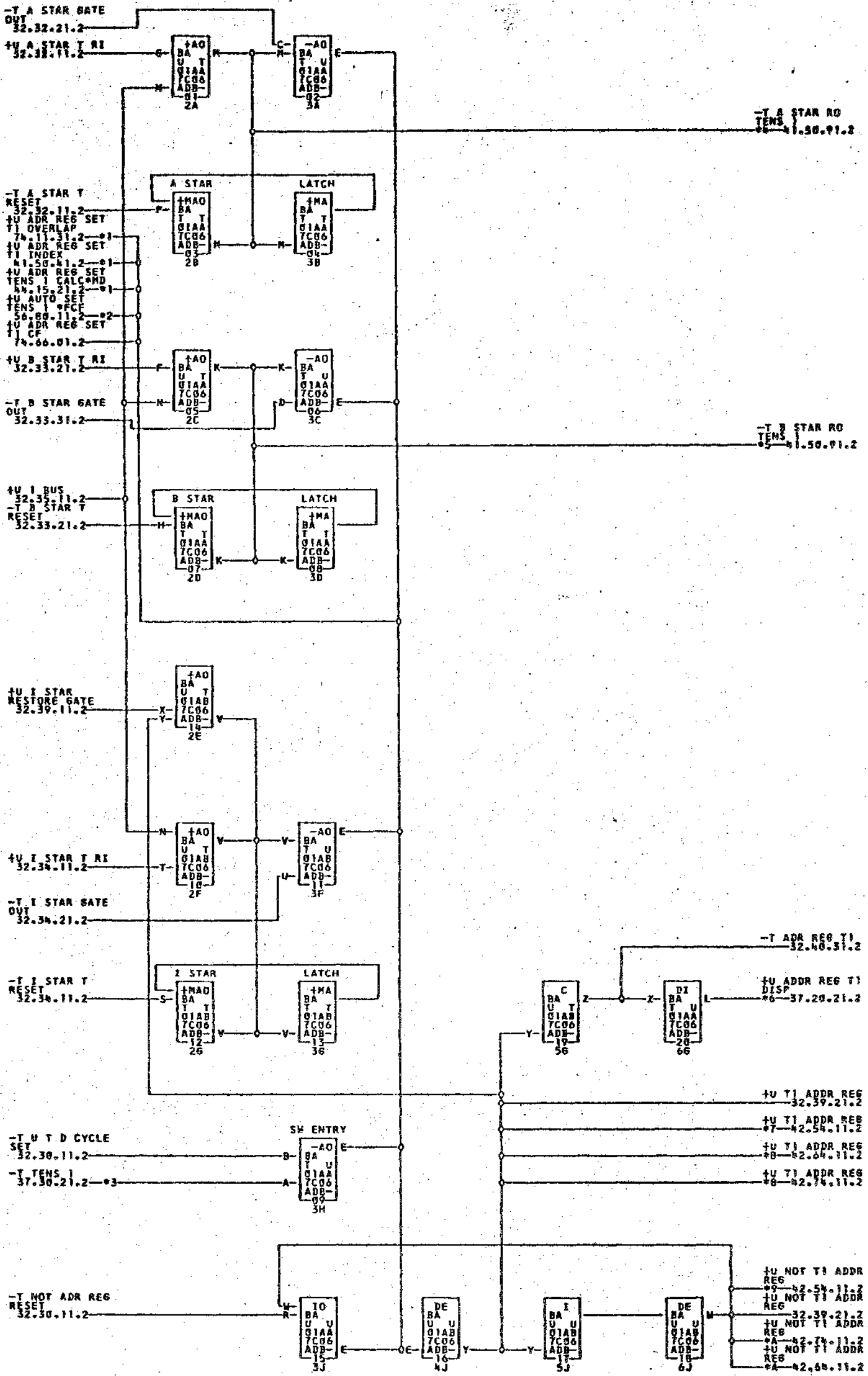


- \*1-01A7B26E
- \*2-01A7A24E
- \*3-01A7E24E
- \*4-01A7F240
- 02A9C09D
- 02B6D010
- \*5-01A7B25E
- \*6-02A9C11C
- 02B6B01E
- \*7-01A7C24E
- 01A2A01E
- \*8-01A7C23E
- \*9-01A7D24E
- 01A7E24E
- \*A-01A7D23E
- 06B7A01E

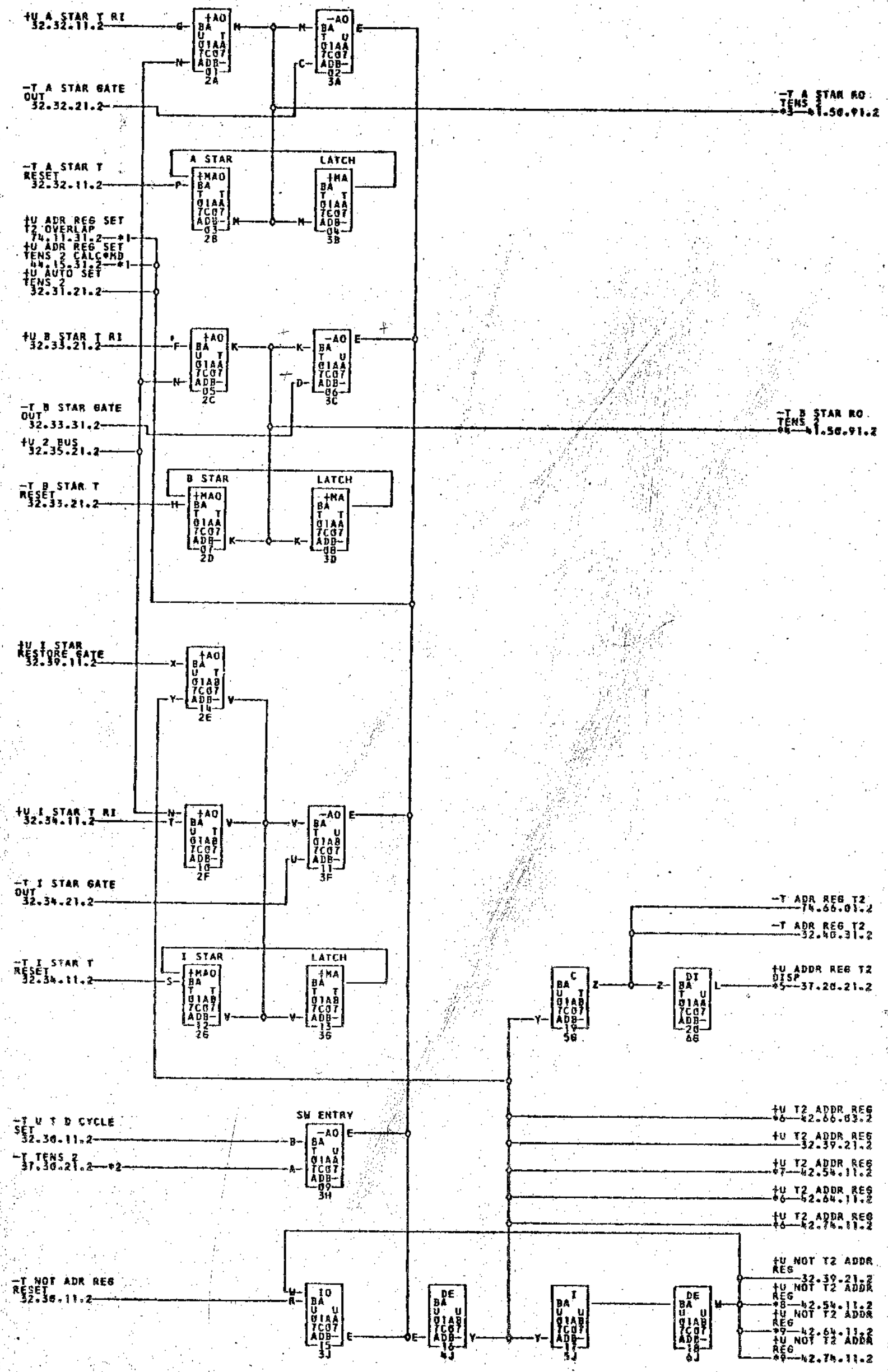
COMMENTS

TAG DATE E.C.NO. TAG DATE E.C.NO. TAG DATE E.C.NO. TAG DATE E.C.NO.

724584



- \*1—01A7A2NF
- \*2—01A7B23N
- \*3—01A7E26F
- \*4—01A7F24B
- \*5—01A7B25C
- \*6—02A9B05C
- \*7—02B6B01C
- \*8—01A7C23F
- \*9—06B7A01F
- \*10—01A7C24F
- \*11—02A9B03D
- \*12—01A2A01F
- \*13—02B6D01B
- \*14—01A7D24F
- \*15—01A7E02F
- \*16—01A7D25F

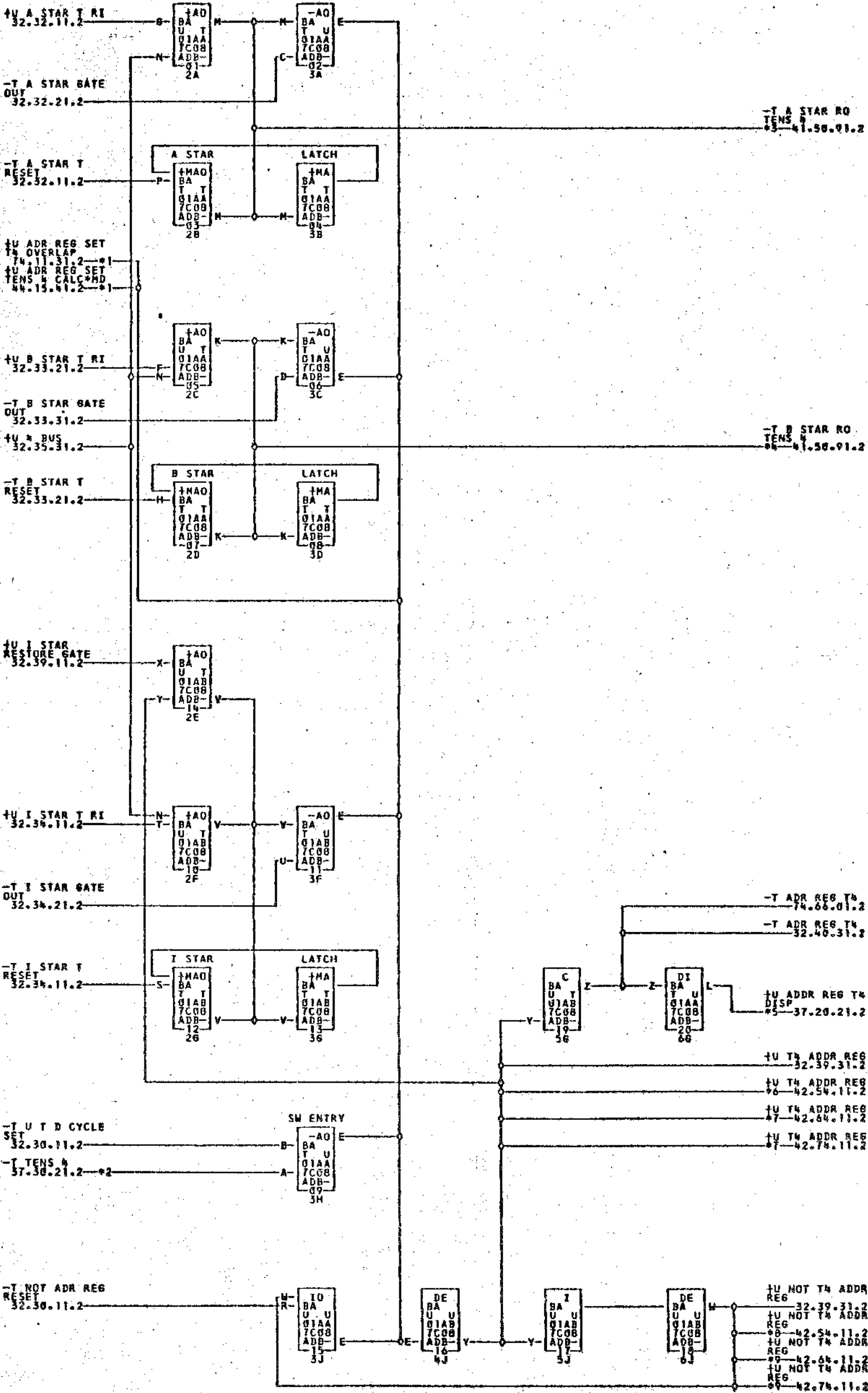


- \*1—01A7A246
- \*2—01A7E206
- \*3—01A7F29E
- \*4—02A9809D
- \*5—01A7C23E
- \*6—02B6DD1E
- \*7—01A7C254
- \*8—02B6B01F
- \*9—01A7C246
- \*10—01A7D246
- \*11—01A2A816
- \*12—01A7E026
- \*13—01A7C33E
- \*14—01A7D23E
- \*15—01A7B25F
- \*16—01A7A016
- \*17—01A7A046

COMMENTS

TAG DATE	E.C.NO.	TAG DATE	E.C.NO.	TAG DATE	E.C.NO.	TAG DATE	E.C.NO.
A 12-28-41	1122696	B 11-14-42	1127494				

724586



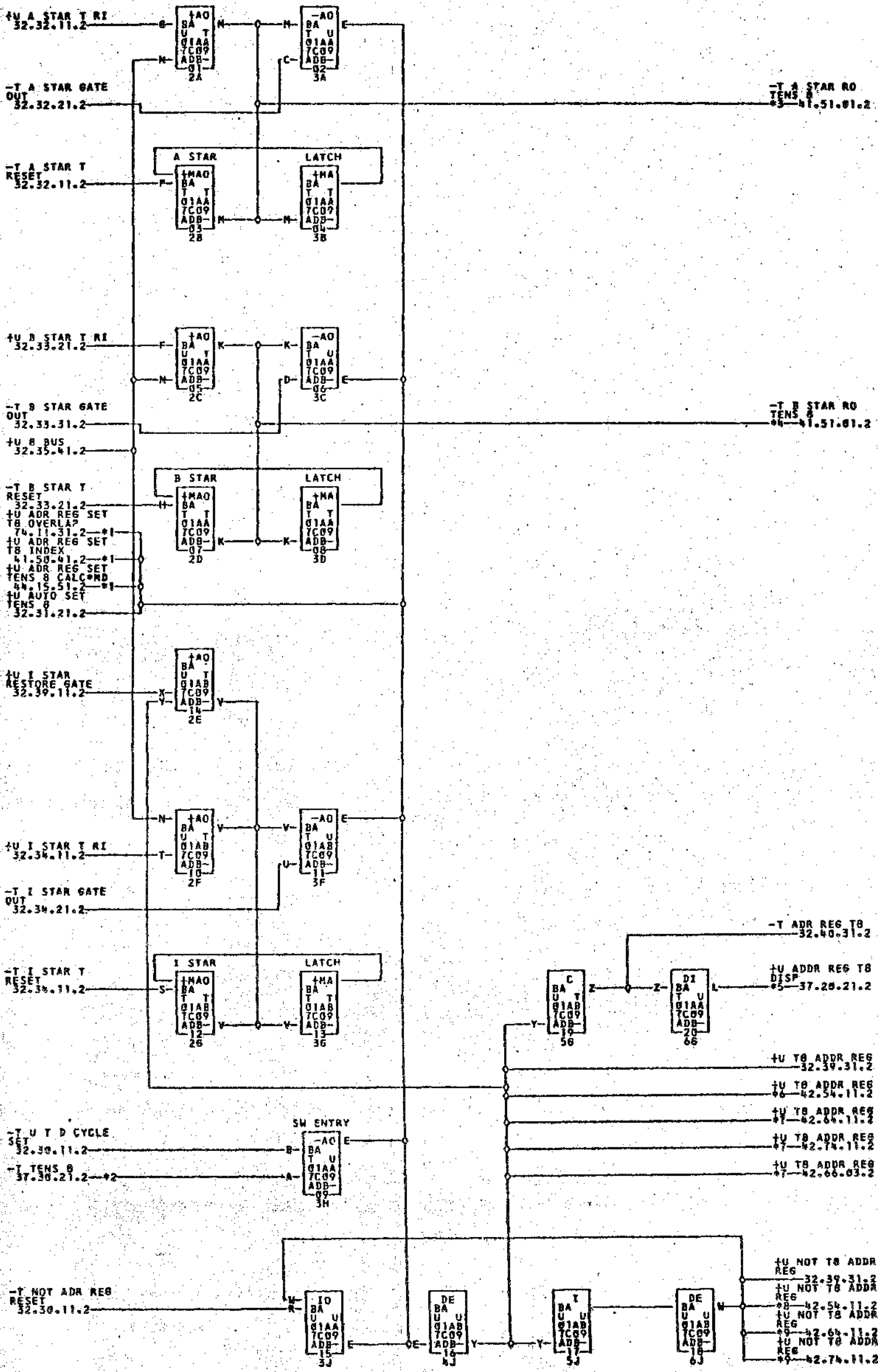
- \*1-01A7A24H      \*2-01ATE26H      \*3-01ATF24H      \*4-02A9B15D      \*5-01ATC25H      \*6-01A7B25J
- \*7-01ATC23H      \*8-02B6B01J      \*9-01ATD24H      \*10-01A2A01H      \*11-01ATC25H      \*12-01A7B25J
- \*13-01A7D23H      \*14-06B7A06H

COMMENTS

TAG DATE E.C.NO. TAG DATE E.C.NO. TAG DATE E.C.NO. TAG DATE E.C.NO.

A 12-29-61 112206 B 12-14-62 112106

100471

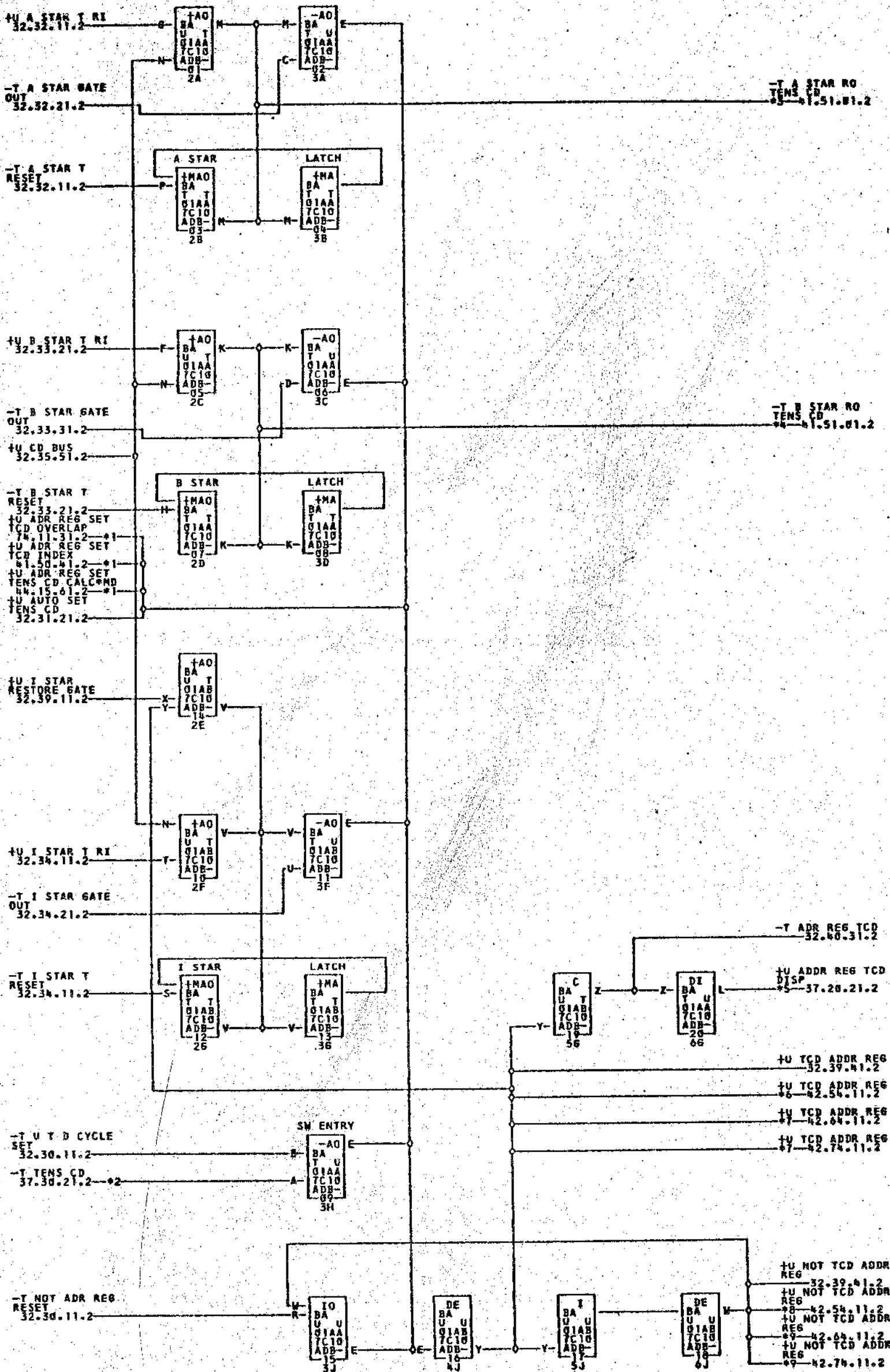


- \*1-01A7A24J      \*2-01A7E24J      \*3-01A7F24L      \*4-02A9C01D      \*5-02B6D01L      \*6-01A7B25M
- \*7-01A7C23K      \*8-02B6B01M      \*9-01A7C24J      \*10-01A2A01J      \*11-01A7C25K      \*12-01A7E01K
- \*13-01A7D24K      \*14-01A7E02K      \*15-01A7D23K      \*16-06B7A04K

COMMENTS      TAG DATE    E.C.NO.    TAG DATE    E.C.NO.    TAG DATE    E.C.NO.    TAG DATE    E.C.NO.

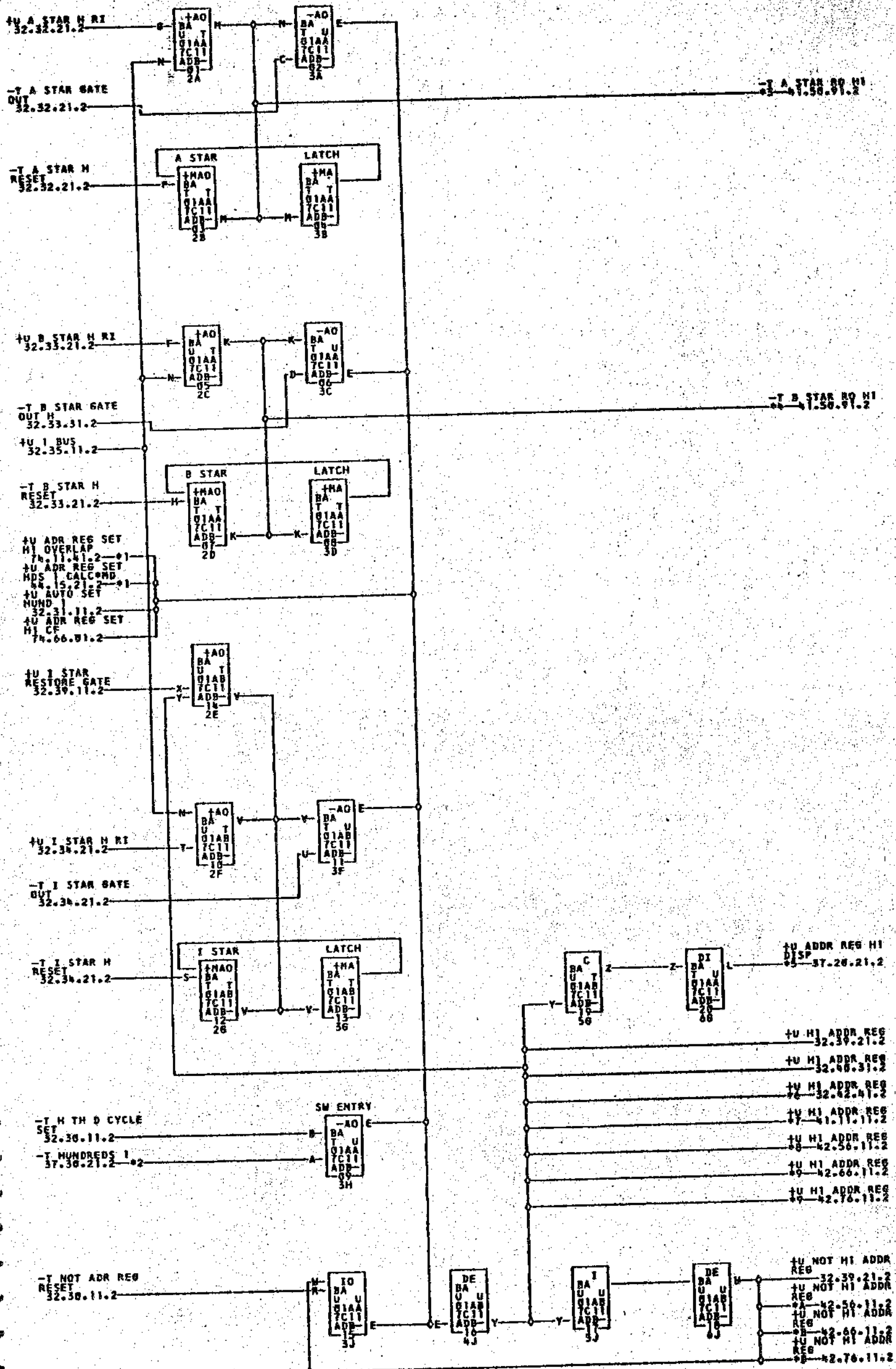
A 12-26-61 1122098    B 12-14-62 116749F

724580



- \*1-01A7A24K
- \*2-01A7E26K
- \*3-01A7F24P
- \*4-02A9C87D
- \*5-02B6D81P
- \*6-01A7B25Q
- \*7-02A9C89C
- \*8-02B6D91Q
- \*9-01A7C24K
- \*10-01A7D24L
- \*11-01A7C25L
- \*12-01A7B23L
- \*13-01A7C23L
- \*14-06B7A81L
- \*15-01A1E82L
- \*16-06B7A84L

726589



- \*1-01A7A24L      \*2-01A7E26L      \*3-01A7F24A      02A9B01D      \*6-02B6D81A      \*8-01A7B25B
- \*4-02A9B03C      \*5-01A7C24L      \*7-01A7D24M      01A2A01L      \*9-01A7B26L      \*9-01A7C25M
- \*7-01A7B26L      \*8-01A7D24M      \*9-01A7C25M      02A9B036      \*0-01A7D23M      \*0-01A7D23M
- 01A7E01M      06B7A01M      01A7E23M      01A7D24M      01A7E02M

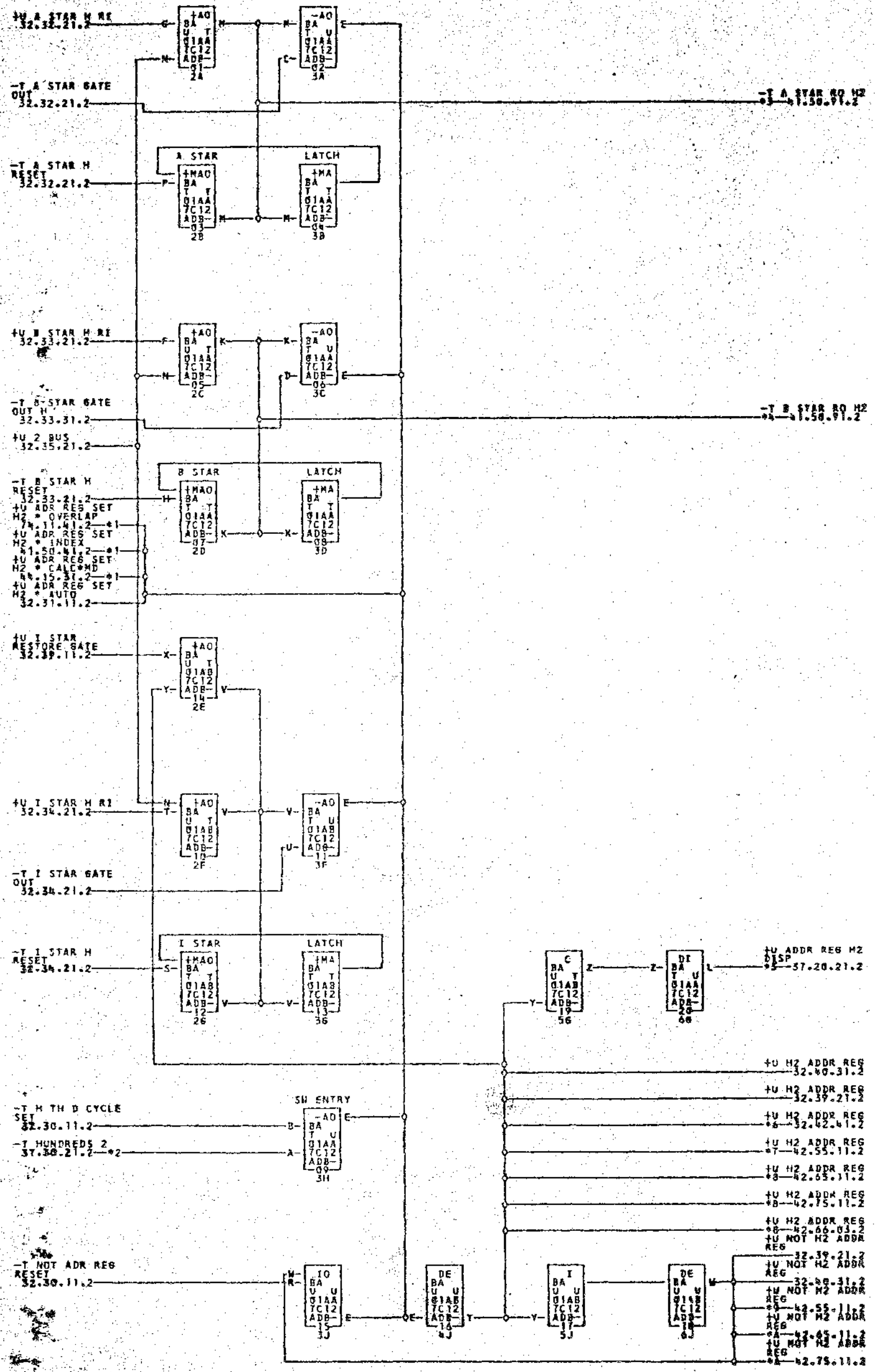
COMMENTS

TAG DATE E.C.NO TAG DATE E.C.NO TAG DATE E.C.NO TAG DATE E.C.NO.

A-12-20-67 1122696 B-12-14-62 110748F

060977

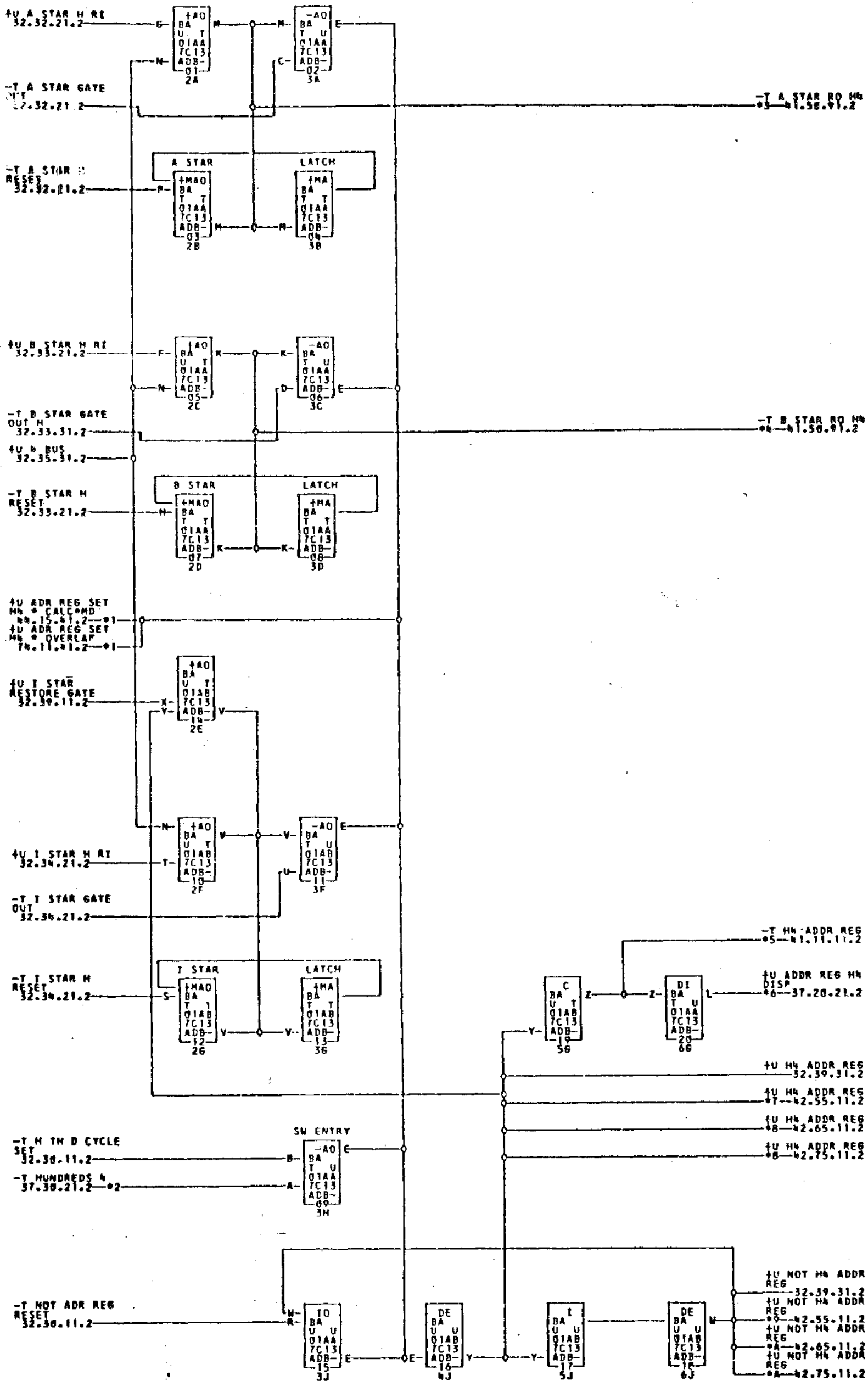




- \*1-01A7A24M      \*2-01A7E24M      \*3-01A7F25D      \*4-02A9H02D      \*5-02B4D01D      \*6-01A7R25E
- \*7-02A9G01E      \*8-02B4G01E      \*9-01A7C25H      \*10-01A2A01M      \*11-01A1B24M      \*12-01A0B25F
- \*13-01A7C25M      \*14-04A7A04M      \*15-01A7C23M      \*16-04B7A01M      \*17-01A7B24M      \*18-01A1E02M

COMMENTS:      TAG DATE: 12-21-61 1122075      TAG DATE: 12-14-62 1127055      TAG DATE:      E.C. NO.      TAG DATE:      E.C. NO.

724591



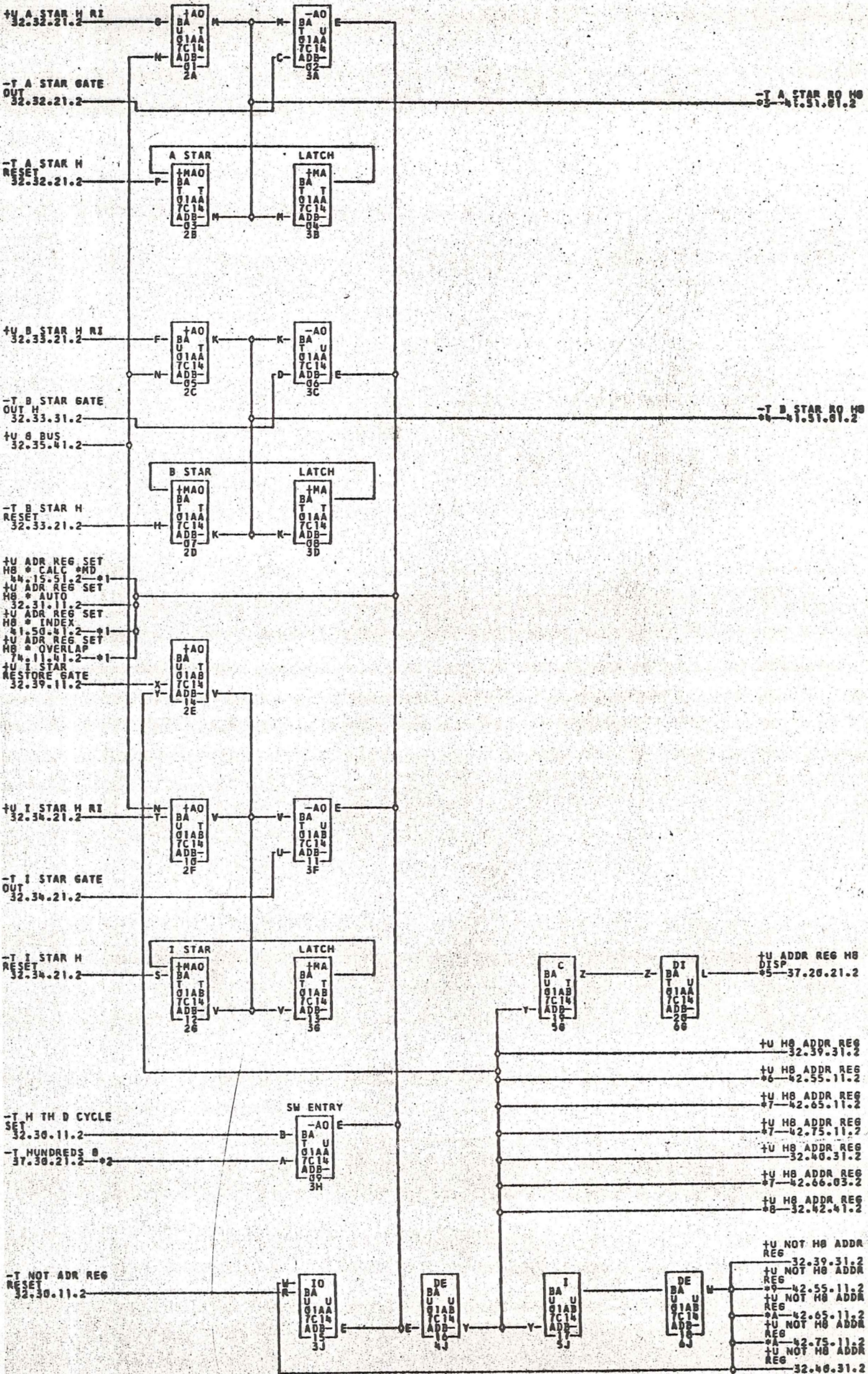
- \*1--01A7A2NN
- \*2--01A7E26N
- \*3--01A7F24G
- \*4--02A9D13D
- \*5--02B6D01G
- \*6--01A7B25H
- \*7--01A7C24N
- \*8--02B6B01H
- \*9--01A7D26K
- \*A--01A7D23P
- \*B--01A7E01P
- \*C--01A7D25P
- \*D--01A7C25P
- \*E--01A7D24P
- \*F--01A7E01P
- \*G--06B7A04P
- \*H--02A9C07G
- \*I--01A7C23P

COMMENTS

TAG DATE E.C.NO. TAG DATE E.C.NO. TAG DATE E.C.NO. TAG DATE E.C.NO.

A 12-20-61 1122696 B 12-14-62 116749F

724592



- \*1- 01A7A24P      \*2- 01A7E26P      \*3- 01A7E24K      \*4- 02A9B19D      \*5- 02B6D91K      \*6- 01A7B25L
- \*7- 02A9C81C      \*8- 02B6B01L      \*9- 01A7C24P      \*10- 01A2A01P      \*11- 01A7C250      \*12- 01A1E010
- \*13- 01A7D230      \*14- 02B7A010      \*15- 01A7A23P      \*16- 01A8A26P      \*17- 01A7B240      \*18- 01A1E020

COMMENTS

TAG DATE F.C.NO. TAG DATE F.C.NO. TAG DATE E.C.NO. TAG DATE E.C.NO.

A-12-20-61 F122498 B-12-14-62 F127599

724593

072459a

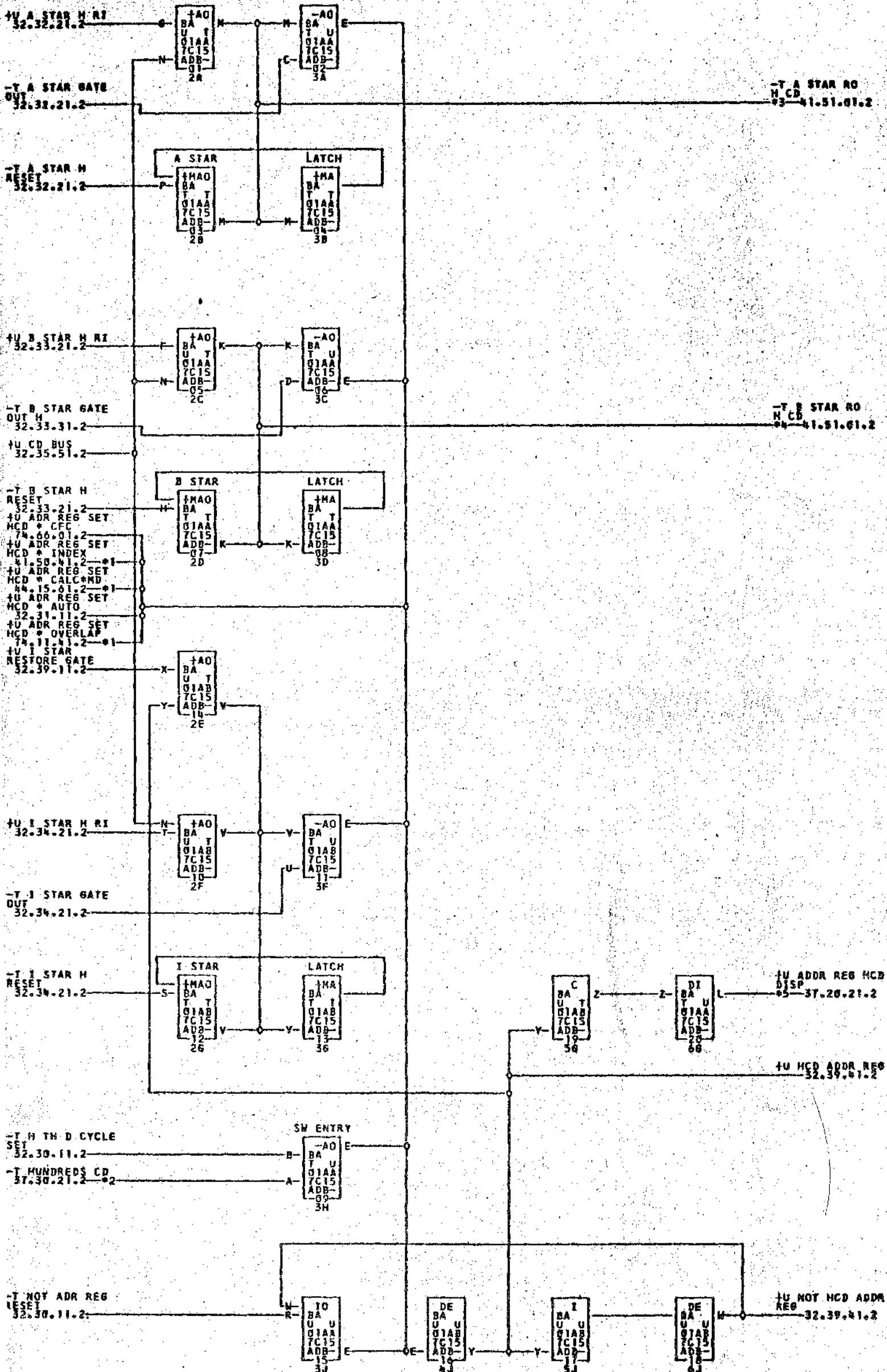
STOR ADDRESSING HCD LOCATION C15-D15

1481 BA 32.37.51.2

TAG D.

A 28.5.  
TA 1344

B 12.3.  
TA 1775

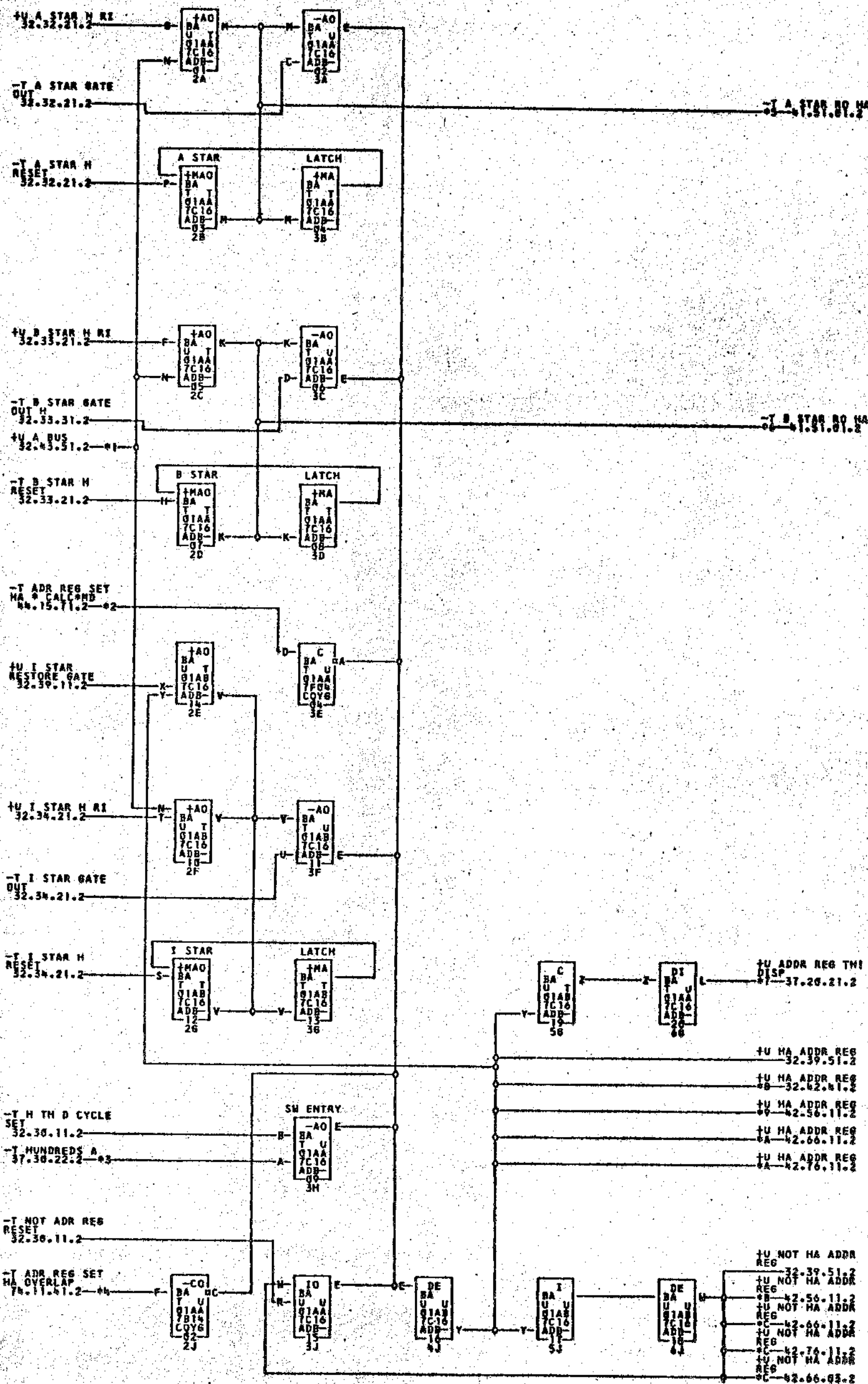


#1-01A7A259    #2-01A7E260    #3-01A7F25N    #4-01A7C24G    #5-01A7C25D    #6-01A7A25P  
 #7-02A9C07C    #8-02B0B01P    #9-01A7C24G    #10-01A2A01A    #11-02B0D01H

COMMENTS

TAG DATE E.C.NO. TAG DATE E.C.NO. TAG DATE E.C.NO. TAG DATE E.C.NO.  
 A 12-28-62 1122698 B 12-14-62 1187498

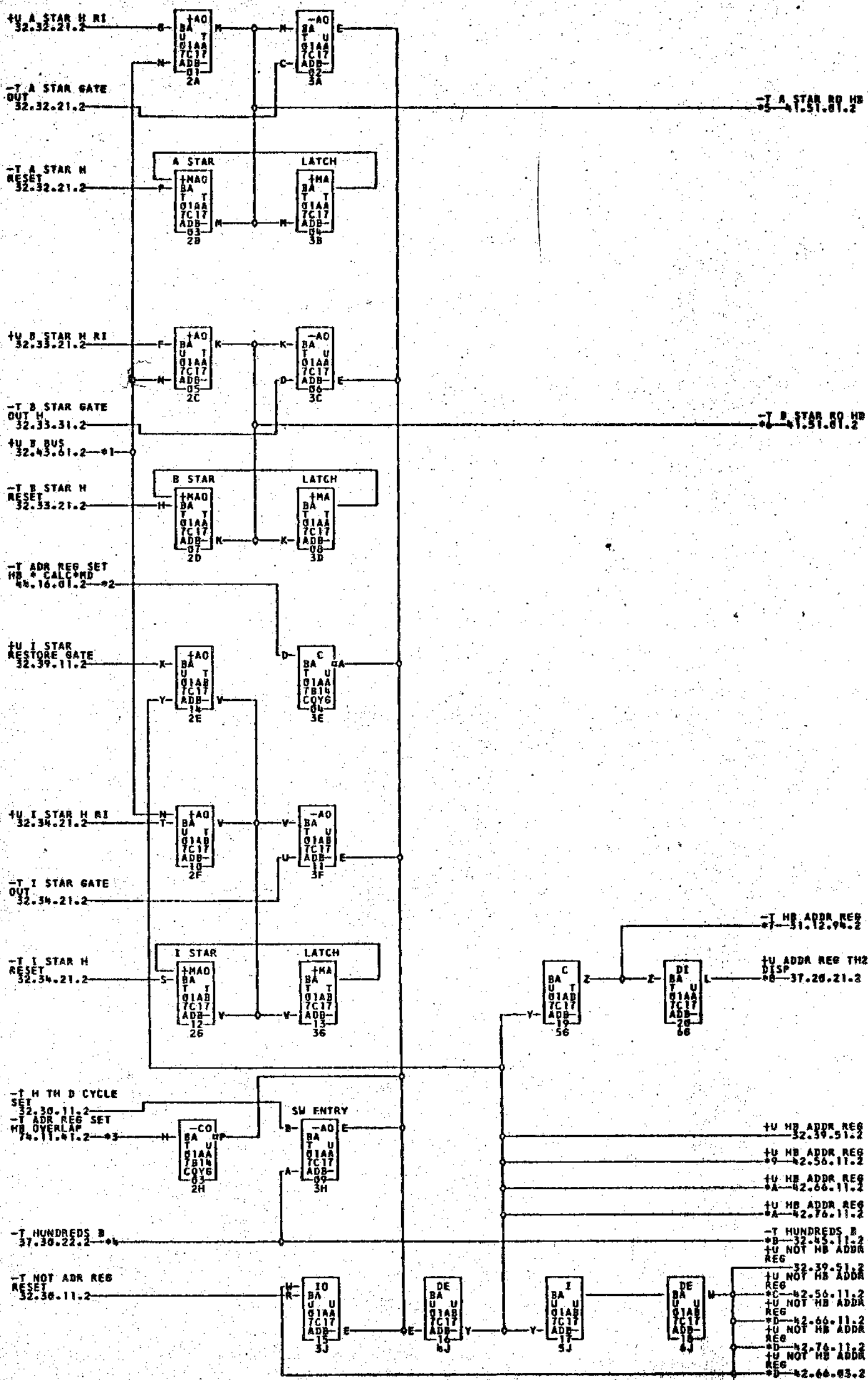
72459a



- \*1-01A7B24F
- \*2-01A7B26N
- \*3-01A7E26R
- \*4-01A7C22L
- \*5-01A7E29R
- \*6-01A7B25A
- \*7-01A7B25B
- \*8-01A7B260
- \*9-01A7E29A
- \*10-01A7C221
- \*11-01A7E29B
- \*12-01A7E29C
- \*13-01A7E29D
- \*14-01A7E29E
- \*15-01A7E29F
- \*16-01A7E29G
- \*17-01A7E29H
- \*18-01A7E29I
- \*19-01A7E29J
- \*20-01A7E29K
- \*21-01A7E29L
- \*22-01A7E29M
- \*23-01A7E29N
- \*24-01A7E29O
- \*25-01A7E29P
- \*26-01A7E29Q
- \*27-01A7E29R
- \*28-01A7E29S
- \*29-01A7E29T
- \*30-01A7E29U
- \*31-01A7E29V
- \*32-01A7E29W
- \*33-01A7E29X
- \*34-01A7E29Y
- \*35-01A7E29Z
- \*36-01A7E29AA
- \*37-01A7E29AB
- \*38-01A7E29AC
- \*39-01A7E29AD
- \*40-01A7E29AE
- \*41-01A7E29AF
- \*42-01A7E29AG
- \*43-01A7E29AH
- \*44-01A7E29AI
- \*45-01A7E29AJ
- \*46-01A7E29AK
- \*47-01A7E29AL
- \*48-01A7E29AM
- \*49-01A7E29AN
- \*50-01A7E29AO
- \*51-01A7E29AP
- \*52-01A7E29AQ
- \*53-01A7E29AR
- \*54-01A7E29AS
- \*55-01A7E29AT
- \*56-01A7E29AU
- \*57-01A7E29AV
- \*58-01A7E29AW
- \*59-01A7E29AX
- \*60-01A7E29AY
- \*61-01A7E29AZ
- \*62-01A7E29AAA
- \*63-01A7E29AAB
- \*64-01A7E29AAC
- \*65-01A7E29AAD
- \*66-01A7E29AAE
- \*67-01A7E29AAF
- \*68-01A7E29AAG
- \*69-01A7E29AAH
- \*70-01A7E29AAI
- \*71-01A7E29AAJ
- \*72-01A7E29AAK
- \*73-01A7E29AAL
- \*74-01A7E29AAM
- \*75-01A7E29AAN
- \*76-01A7E29AAO
- \*77-01A7E29AAP
- \*78-01A7E29AAQ
- \*79-01A7E29AAR
- \*80-01A7E29AAS
- \*81-01A7E29AAU
- \*82-01A7E29AAV
- \*83-01A7E29AAW
- \*84-01A7E29AAZ
- \*85-01A7E29AAA
- \*86-01A7E29AAB
- \*87-01A7E29AAC
- \*88-01A7E29AAD
- \*89-01A7E29AAE
- \*90-01A7E29AAF
- \*91-01A7E29AAG
- \*92-01A7E29AAH
- \*93-01A7E29AAI
- \*94-01A7E29AAJ
- \*95-01A7E29AAK
- \*96-01A7E29AAL
- \*97-01A7E29AAM
- \*98-01A7E29AAN
- \*99-01A7E29AAO
- \*100-01A7E29AAP
- \*101-01A7E29AAQ
- \*102-01A7E29AAR
- \*103-01A7E29AAS
- \*104-01A7E29AAU
- \*105-01A7E29AAV
- \*106-01A7E29AAW
- \*107-01A7E29AAZ
- \*108-01A7E29AAA
- \*109-01A7E29AAB
- \*110-01A7E29AAC
- \*111-01A7E29AAD
- \*112-01A7E29AAE
- \*113-01A7E29AAF
- \*114-01A7E29AAG
- \*115-01A7E29AAH
- \*116-01A7E29AAI
- \*117-01A7E29AAJ
- \*118-01A7E29AAK
- \*119-01A7E29AAL
- \*120-01A7E29AAM
- \*121-01A7E29AAN
- \*122-01A7E29AAO
- \*123-01A7E29AAP
- \*124-01A7E29AAQ
- \*125-01A7E29AAR
- \*126-01A7E29AAS
- \*127-01A7E29AAU
- \*128-01A7E29AAV
- \*129-01A7E29AAW
- \*130-01A7E29AAZ
- \*131-01A7E29AAA
- \*132-01A7E29AAB
- \*133-01A7E29AAC
- \*134-01A7E29AAD
- \*135-01A7E29AAE
- \*136-01A7E29AAF
- \*137-01A7E29AAG
- \*138-01A7E29AAH
- \*139-01A7E29AAI
- \*140-01A7E29AAJ
- \*141-01A7E29AAK
- \*142-01A7E29AAL
- \*143-01A7E29AAM
- \*144-01A7E29AAN
- \*145-01A7E29AAO
- \*146-01A7E29AAP
- \*147-01A7E29AAQ
- \*148-01A7E29AAR
- \*149-01A7E29AAS
- \*150-01A7E29AAU
- \*151-01A7E29AAV
- \*152-01A7E29AAW
- \*153-01A7E29AAZ
- \*154-01A7E29AAA
- \*155-01A7E29AAB
- \*156-01A7E29AAC
- \*157-01A7E29AAD
- \*158-01A7E29AAE
- \*159-01A7E29AAF
- \*160-01A7E29AAG
- \*161-01A7E29AAH
- \*162-01A7E29AAI
- \*163-01A7E29AAJ
- \*164-01A7E29AAK
- \*165-01A7E29AAL
- \*166-01A7E29AAM
- \*167-01A7E29AAN
- \*168-01A7E29AAO
- \*169-01A7E29AAP
- \*170-01A7E29AAQ
- \*171-01A7E29AAR
- \*172-01A7E29AAS
- \*173-01A7E29AAU
- \*174-01A7E29AAV
- \*175-01A7E29AAW
- \*176-01A7E29AAZ
- \*177-01A7E29AAA
- \*178-01A7E29AAB
- \*179-01A7E29AAC
- \*180-01A7E29AAD
- \*181-01A7E29AAE
- \*182-01A7E29AAF
- \*183-01A7E29AAG
- \*184-01A7E29AAH
- \*185-01A7E29AAI
- \*186-01A7E29AAJ
- \*187-01A7E29AAK
- \*188-01A7E29AAL
- \*189-01A7E29AAM
- \*190-01A7E29AAN
- \*191-01A7E29AAO
- \*192-01A7E29AAP
- \*193-01A7E29AAQ
- \*194-01A7E29AAR
- \*195-01A7E29AAS
- \*196-01A7E29AAU
- \*197-01A7E29AAV
- \*198-01A7E29AAW
- \*199-01A7E29AAZ
- \*200-01A7E29AAA

COMMENTS TAG DATE FIG NO TAG DATE FIG NO TAG DATE FIG NO TAG DATE FIG NO

726595

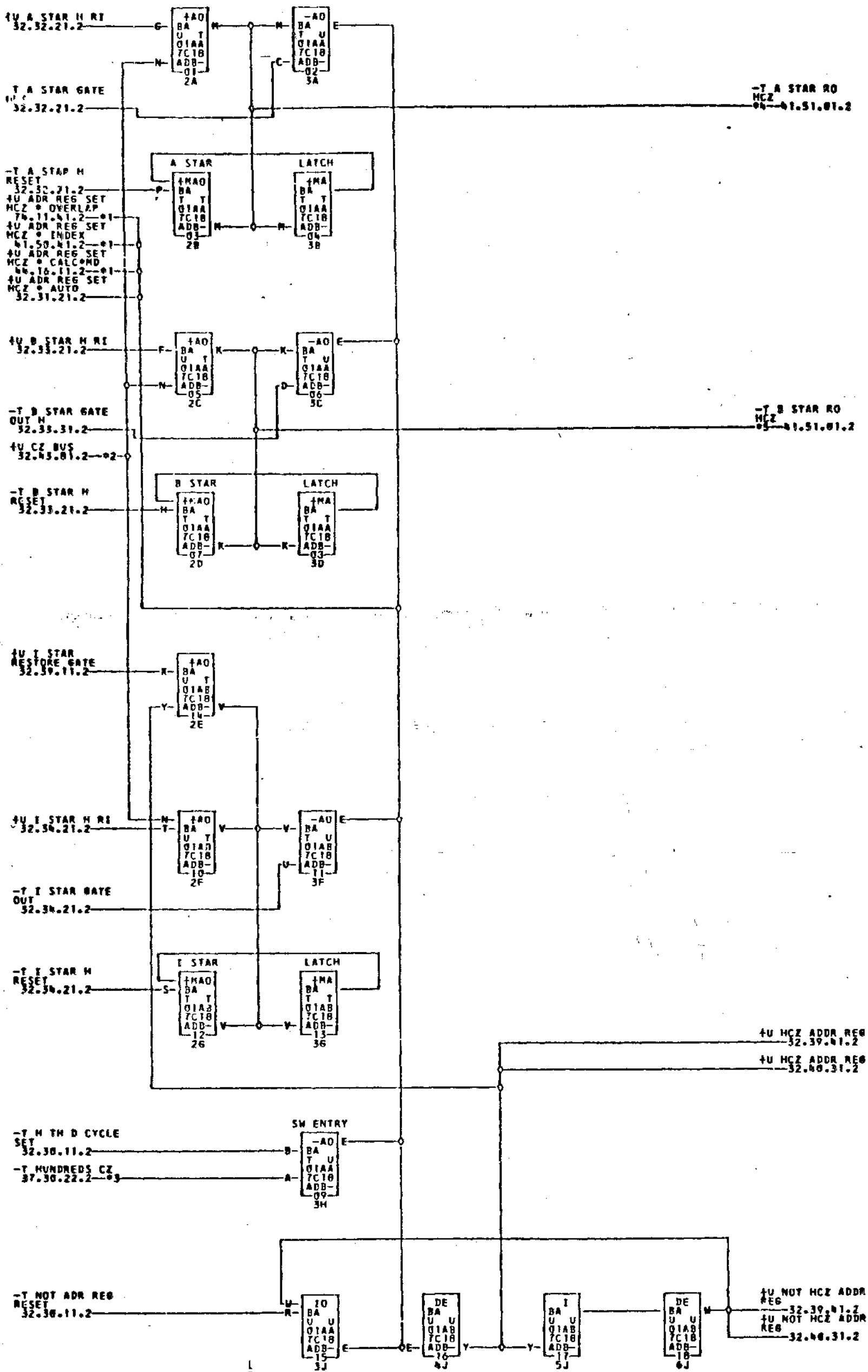


- \*1-01A7B24B      \*2-01A7B24M      \*3-01A7C22M      \*4-01A7E25A      \*5-01A7B24B      \*6-02A9B03B
- \*7-01A7E25M      \*8-01A2A10H      \*9-01A7E24C      \*10-01A7E24D      \*11-01A7E25C      \*12-01A7E25C
- \*13-01A7A25M      \*14-01A7E25M      \*15-01A7E25M      \*16-01A7E25M      \*17-01A7E25M      \*18-01A7E25M

COMMENTS

TAG DATE: A 12-26-61 1122296      TAG DATE: B 12-16-62 1167499      TAG DATE: E.C.NO.      TAG DATE: E.C.NO.

724596

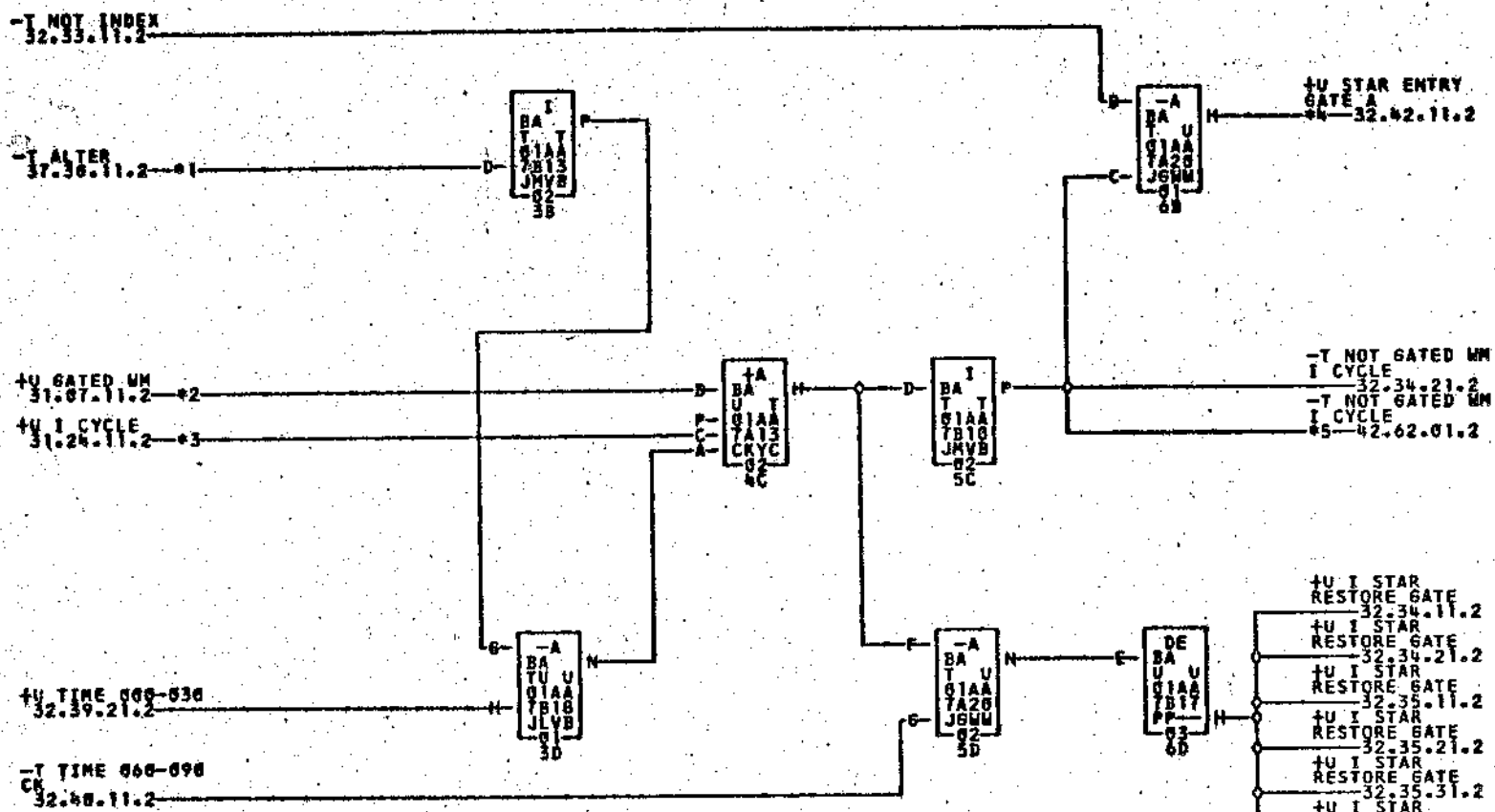


- \*1-01A7A24R      \*2-01A7B24H      \*3-01A7E25F      \*4-01A7B25A      02A9B01C      02B6E01A
- \*5-01A7A25B      01A8C25B      01A8E26J      02A9B17E      02B6E01J

COMMENTS

TAG	DATE	E.C.NO.	TAG	DATE	E.C.NO.	TAG	DATE	E.C.NO.	TAG	DATE	E.C.NO.
A	12-20-61	1122696	B	12-14-62	116749F						

724597



- +U I STAR RESTORE GATE 32.34.11.2
- +U I STAR RESTORE GATE 32.34.21.2
- +U I STAR RESTORE GATE 32.35.11.2
- +U I STAR RESTORE GATE 32.35.21.2
- +U I STAR RESTORE GATE 32.35.31.2
- +U I STAR RESTORE GATE 32.35.41.2
- +U I STAR RESTORE GATE 32.35.51.2
- +U I STAR RESTORE GATE 32.36.11.2
- +U I STAR RESTORE GATE 32.36.21.2
- +U I STAR RESTORE GATE 32.36.31.2
- +U I STAR RESTORE GATE 32.36.41.2
- +U I STAR RESTORE GATE 32.36.51.2
- +U I STAR RESTORE GATE 32.37.11.2
- +U I STAR RESTORE GATE 32.37.21.2
- +U I STAR RESTORE GATE 32.37.31.2
- +U I STAR RESTORE GATE 32.37.41.2
- +U I STAR RESTORE GATE 32.37.51.2
- +U I STAR RESTORE GATE 32.38.11.2
- +U I STAR RESTORE GATE 32.38.21.2
- +U I STAR RESTORE GATE 32.38.31.2
- +U I STAR RESTORE GATE 42.61.01.2
- +U I STAR RESTORE GATE 42.61.02.2
- +U I STAR RESTORE GATE 42.61.03.2

\*1-01ATE250 01AA206 \*2-01ATA26M \*3-01ATF25P \*4-01ATA25A \*5-01AOC25A \*6-01ATA23E

COMMENTS TAG DATE E.C.NO TAG DATE E.C.NO TAG DATE E.C.NO TAG DATE E.C.NO

720598 1775



0724599

SERIAL GATE 1 AND 2 BITS

1401 BA

32.39.21.2

TAG DATE

+U U1 ADDR REG  
32.35.11.2

+U T1 ADDR REG  
32.36.11.2

+U H1 ADDR REG  
32.37.11.2

+U NOT U1 ADDR  
REG  
32.35.11.2

+U NOT T1 ADDR  
REG  
32.36.11.2

+U TIME 000-030  
31.12.51.2-81

+U NOT H1 ADDR  
REG  
32.37.11.2

+U TIME 030-060  
31.12.51.2-82

+U TIME 060-090  
31.12.61.2-83

+U U2 ADDR REG  
32.35.21.2

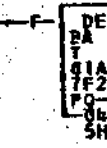
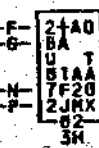
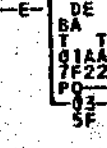
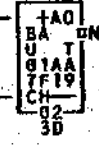
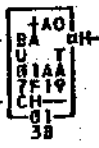
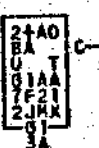
+U T2 ADDR REG  
32.36.21.2

+U H2 ADDR REG  
32.37.21.2

+U NOT U2 ADDR  
REG  
32.35.21.2

+U NOT T2 ADDR  
REG  
32.36.21.2

+U NOT H2 ADDR  
REG  
32.37.21.2



-T SERIAL 1.1.2  
32.41.11.2

-T SERIAL NOT 1  
32.41.11.2

+U TIME 000-030  
32.39.51.2  
+U TIME 000-030  
32.39.41.2  
+U TIME 000-030  
32.39.31.2  
+U TIME 000-030  
32.39.11.2

+U TIME 030-060  
32.39.51.2  
+U TIME 030-060  
32.39.41.2  
+U TIME 030-060  
32.39.31.2

+U TIME 060-090  
32.39.51.2  
+U TIME 060-090  
32.39.41.2  
+U TIME 060-090  
32.39.31.2  
+U TIME 060-090  
32.39.11.2

-T SERIAL 2  
32.41.11.2

-T SERIAL NOT 2  
32.41.11.2

\*1-31ATA20H  
31ABC25D

\*2-31ATA25E

\*3-31ATA25E

\*4-31ATA25E

\*5-31ABC25E

\*6-31ATA25D

COMMENTS

TAG DATE FIG NO TAG DATE FIG NO TAG DATE E-C NO TAG DATE E-C NO  
A 12-28-61 F152208 B 12-14-62 F152208

724599

672468

SERIAL GATE 4 AND 8 BITS

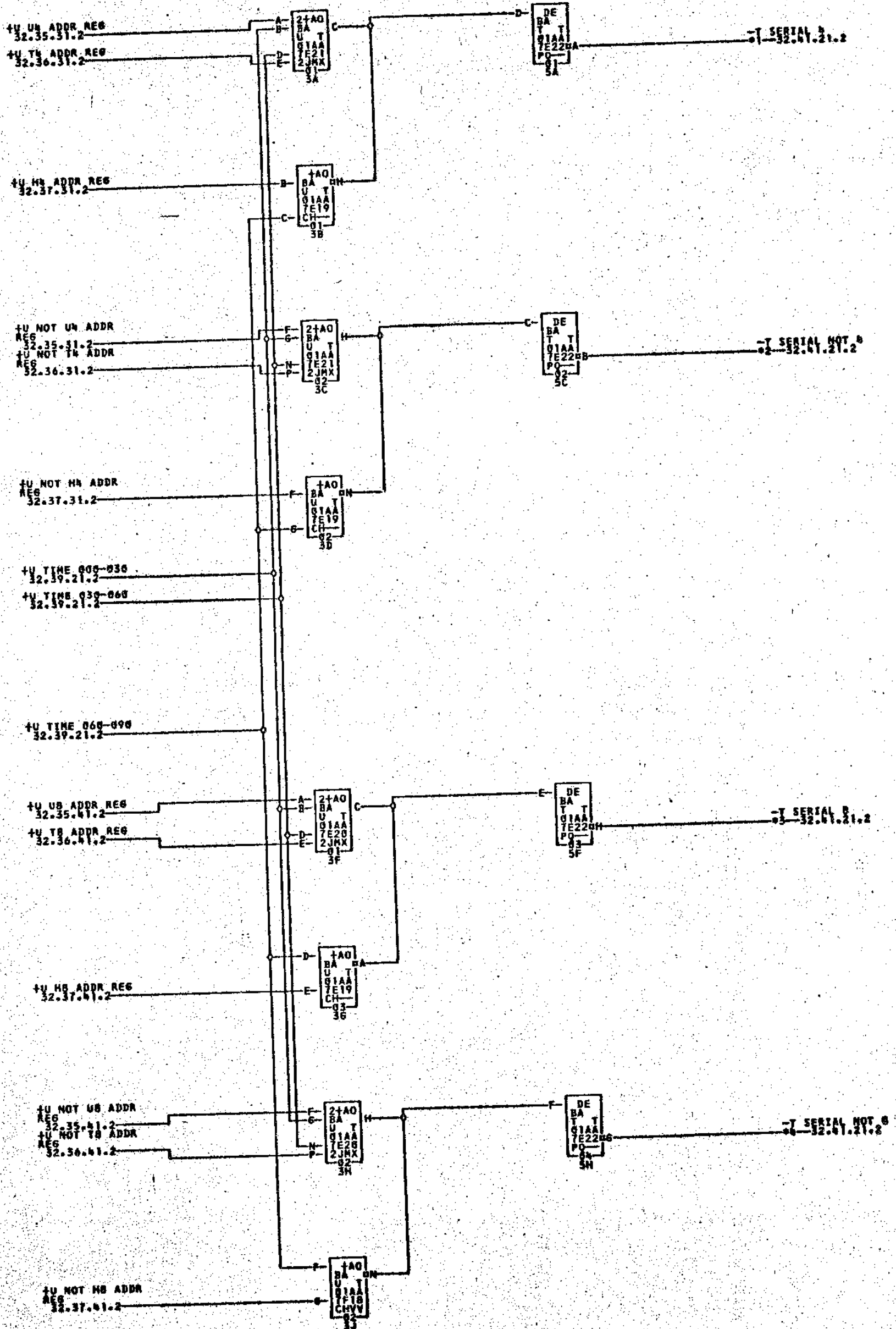
1401 BA

32.39.31.2

TAG DATE

A 28.5.62  
TA 1344

B 12.3.63  
TA 1775



1-01-01ATA250    1-01-01ABC250    1-01-01ATA250    1-01-01ABC250    1-01-01ATA250    1-01-01ABC250

COMMENTS

TAG DATE	F.C.NO.	TAG DATE	F.C.NO.
12-28-61	115206	12-14-62	115702

174000

724601

SERIALIZING GATE CD AND MCZ

1401 BA 32.39.41.2

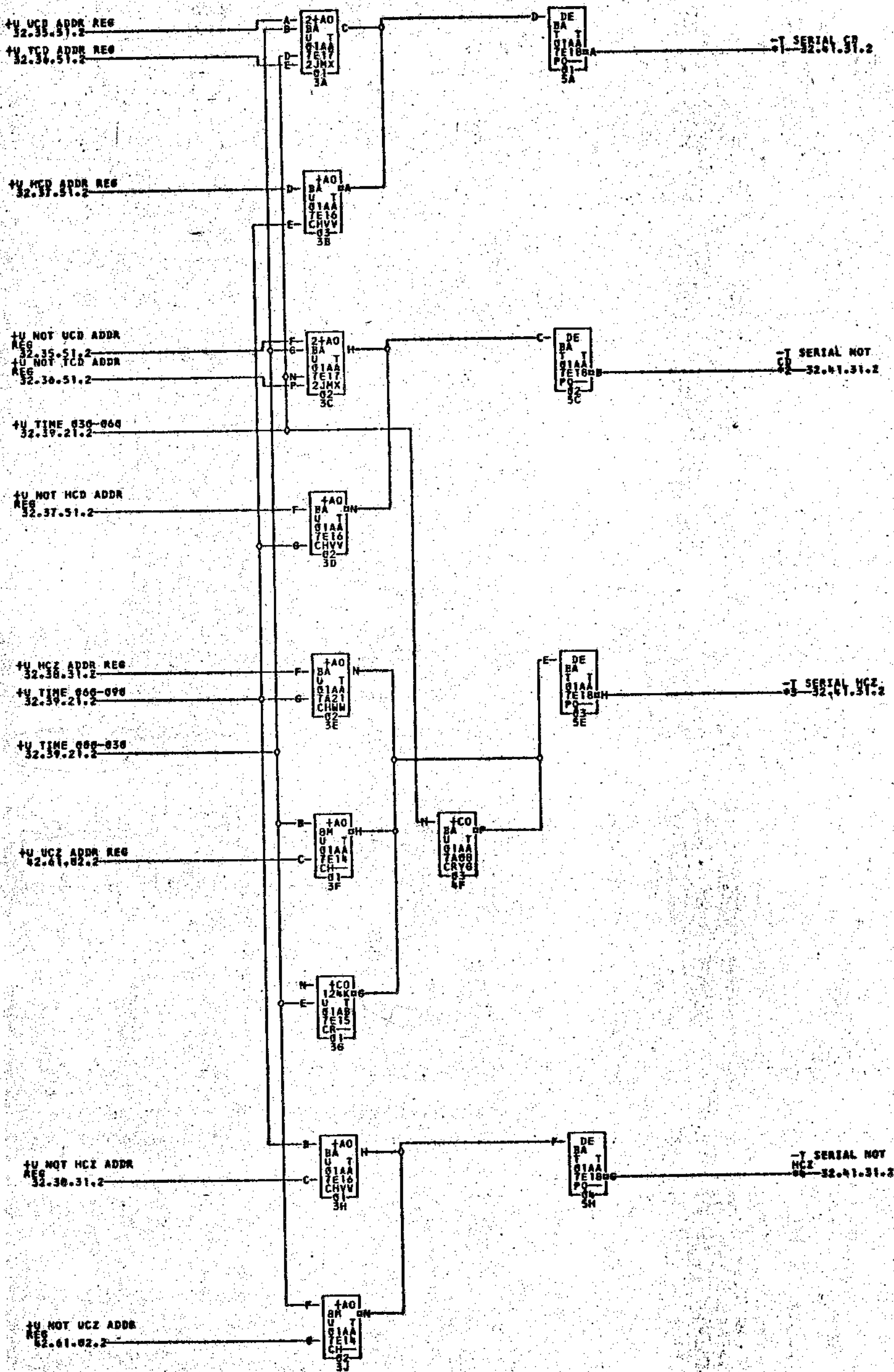
TAG DATE

B12.7.62

TA 1370F

C 12.3.63

TA 1775



01-01A7F20A      01A720A      02-01A7F20B      01A720B      03-01A7F20C      01A720C

COMMENTS

TA	DATE	FIG. NO.	TA	DATE	FIG. NO.	TA	DATE	FIG. NO.	TA	DATE	E.C. NO.

724601

1775

0724598

I STAR RESTORE GATE

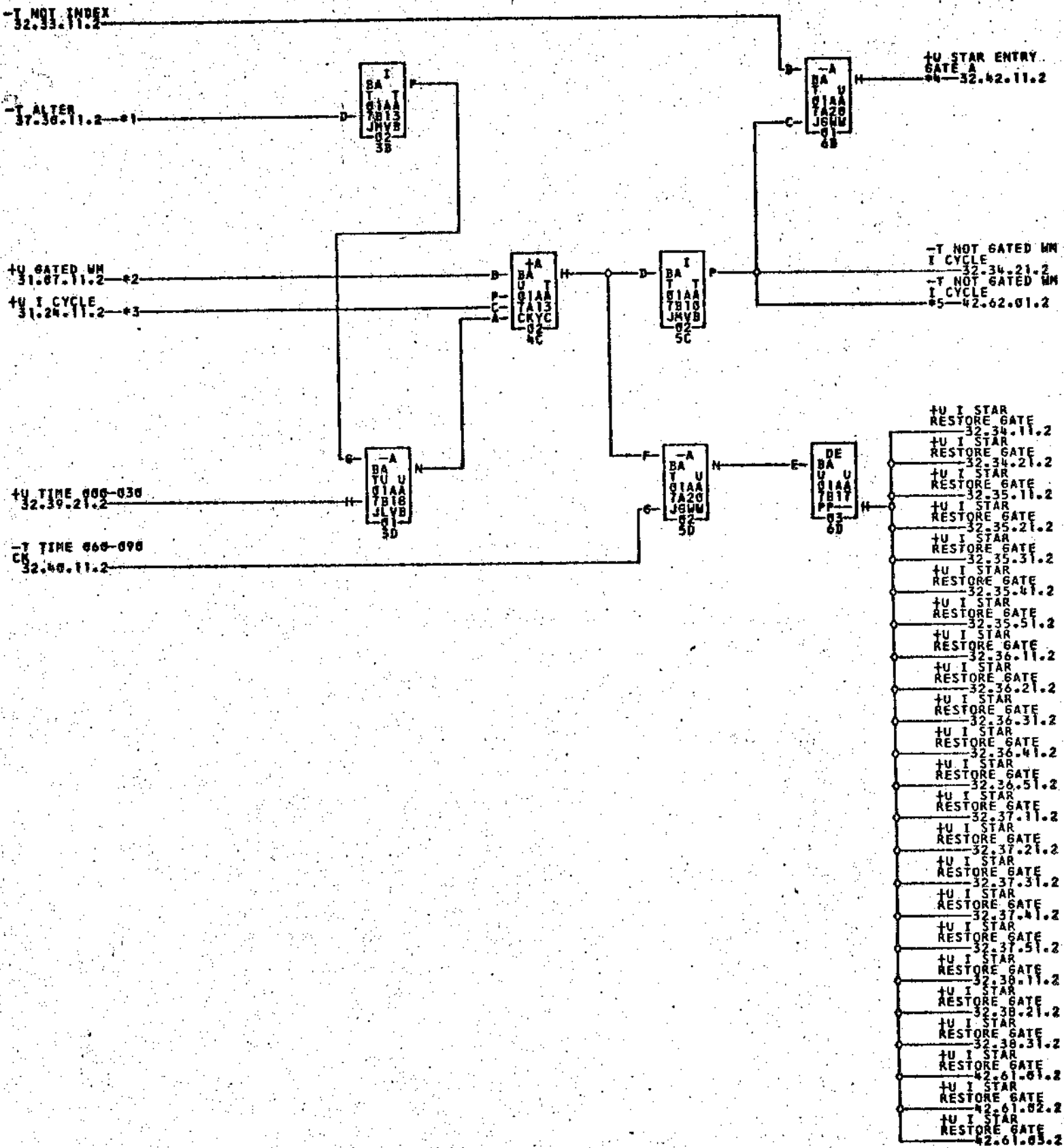
1401 BA

32.39.11.2

TAG DAT

A 28.5.62  
TA 1344

B 12.3.63  
TA 1775



\*1-01ATE250  
01A0A20E

\*2-01ATA20M

\*3-01ATP2P

\*4-01ATA25A

01A0C25A

\*5-01ATA23E

COMMENTS

NO.	DATE	BY	NO.	DATE	BY	NO.	DATE	BY	NO.
1	12-30-61	1122098	2	12-15-62	1127098				

1775  
724598

8724599

SERIAL GATE 1 AND 2 BITS

1401 BA

52.59.21.2

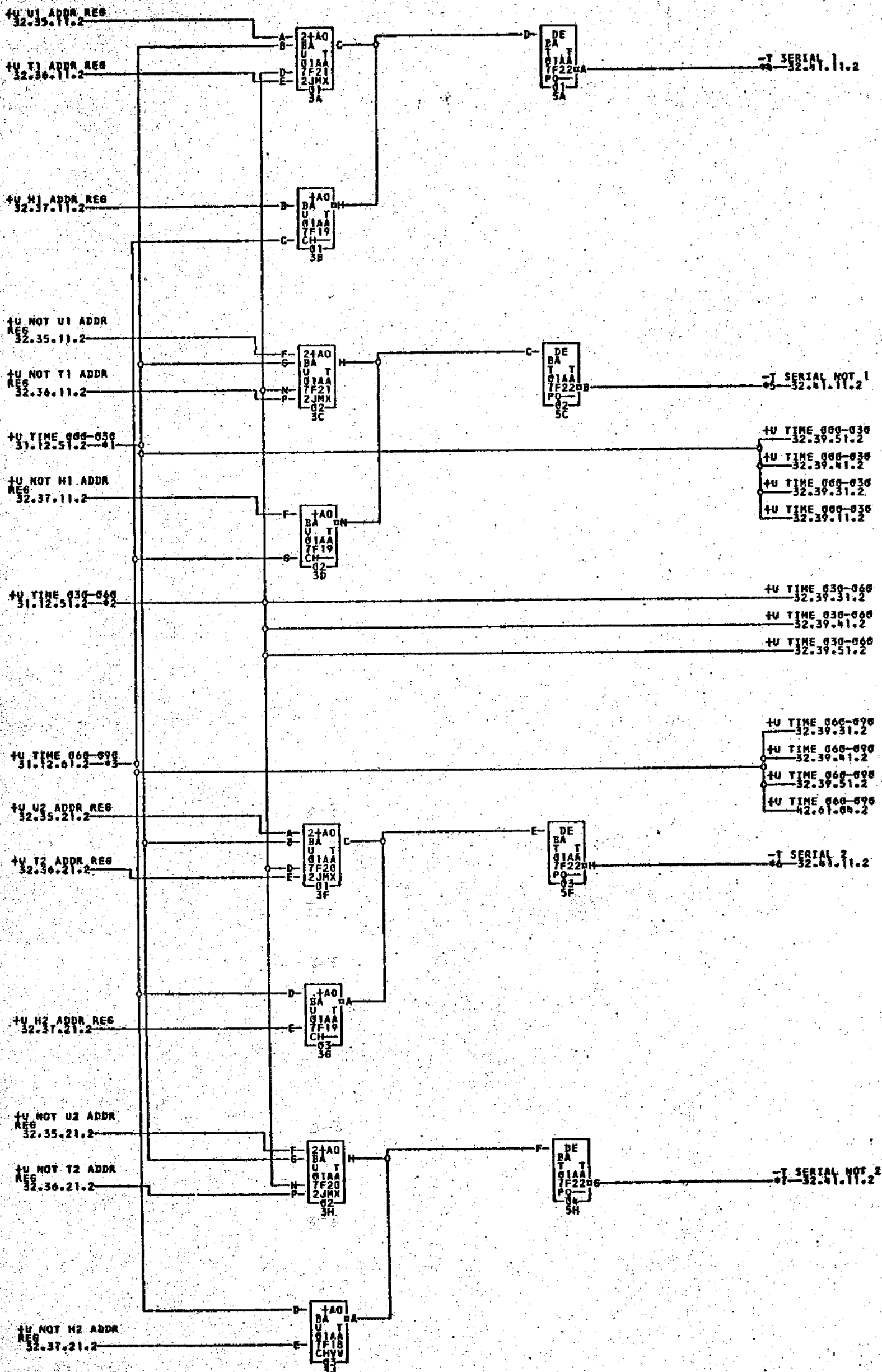
TAG DATE

3A 28.5.62

TA 1344

12.3.63

TA 1775



\*1-01A7A20H    \*2-01A7A25E    \*3-01A7A25H    \*4-01A7A25E    \*5-01A7A25E    \*6-01A7A25H

COMMENTS    TAG DATE    FILE NO.    TAG DATE    FILE NO.    TAG DATE    E.C. NO.    TAG DATE    E.C. NO.

724599

6724688

SERIAL GATE 4 AND 8 BITS

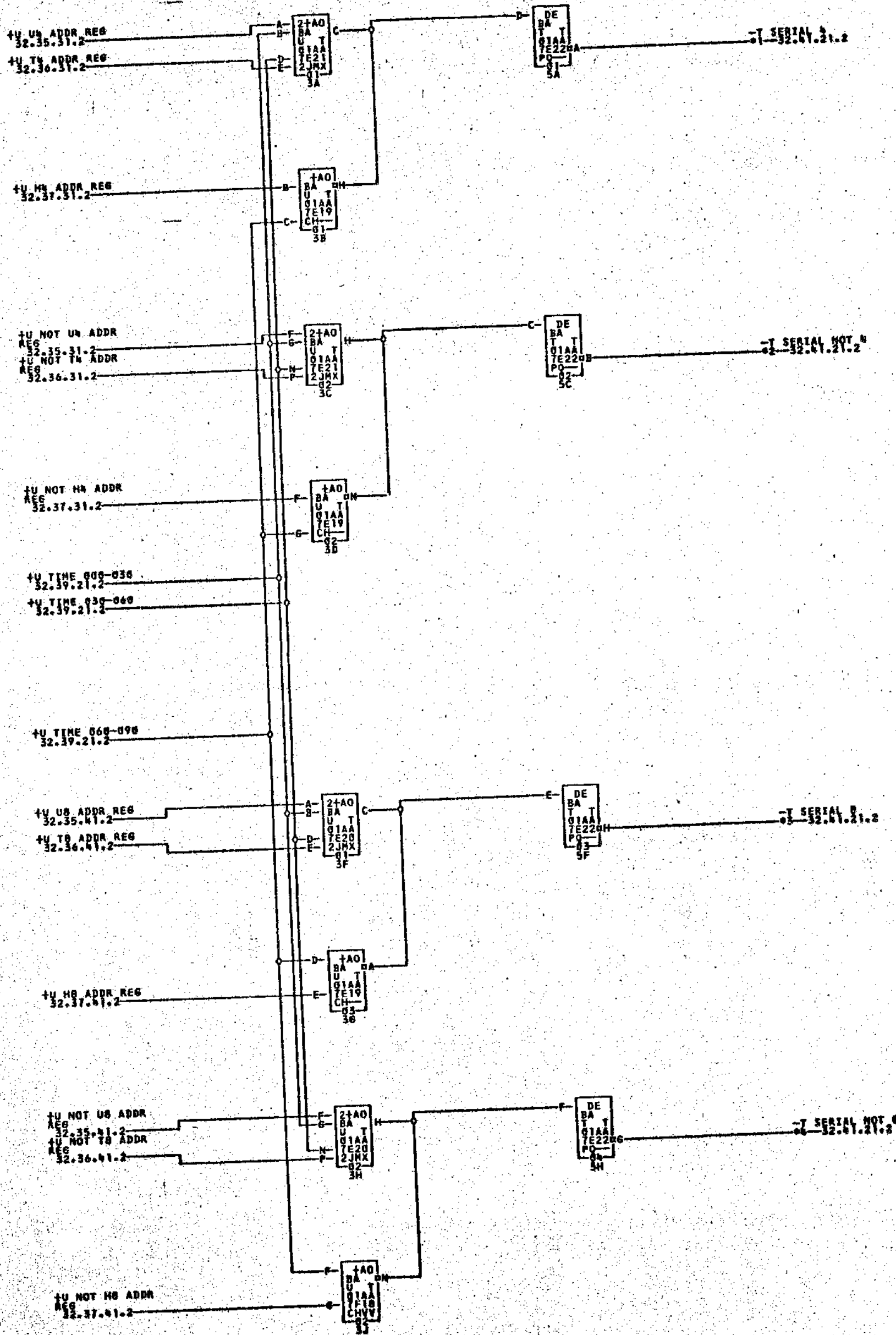
1401 BA

32.39.31.2

TAG DATE

A 28.5.62  
TA 1344

B 12.3.63  
TA 1775

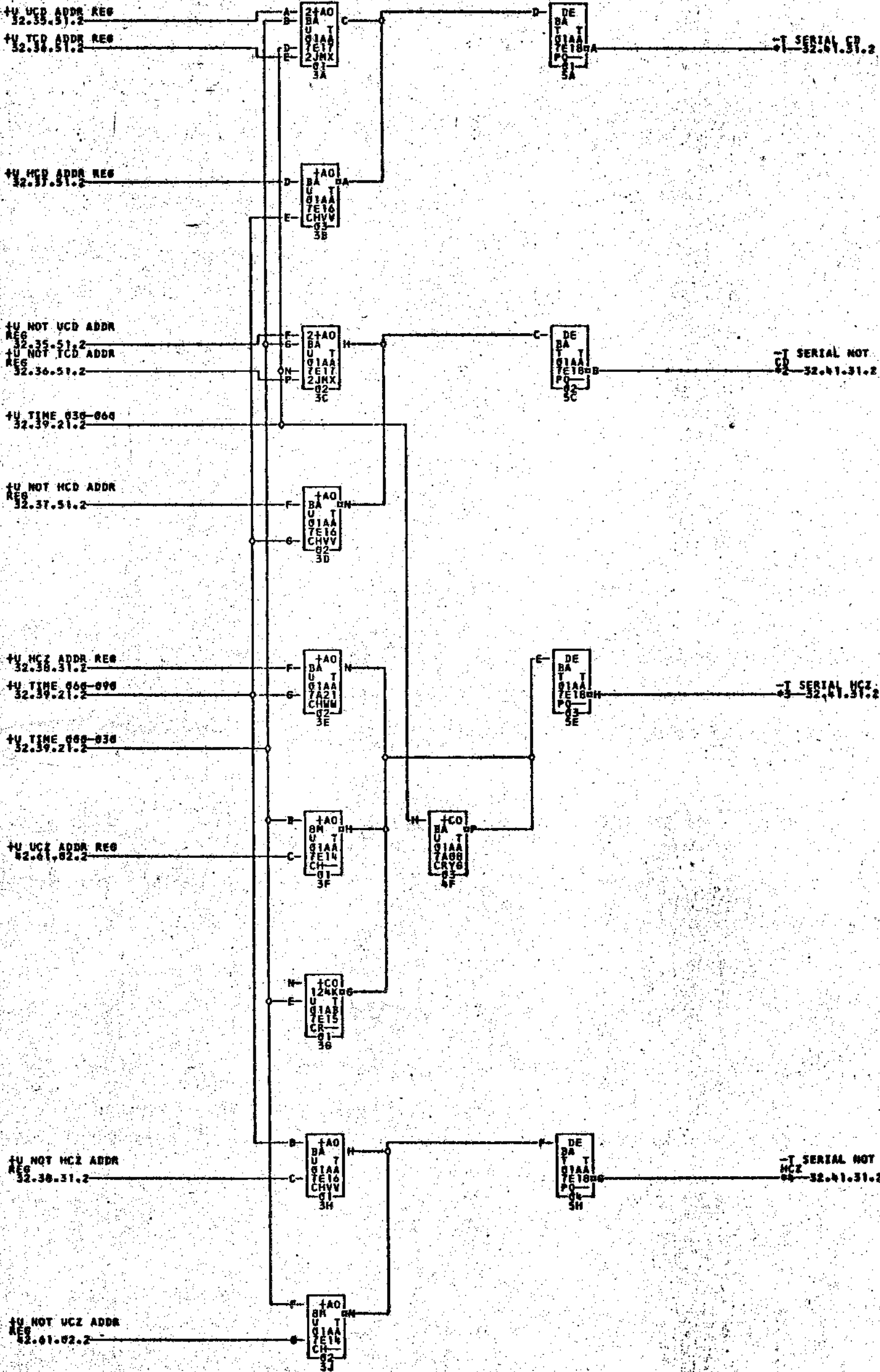


01-01A7A25S    02-01A7A25K    03-01A7A25H    04-01A7A25J    05-01A7A25L

COMMENTS

TAG DATE	E.C.NO.	TAG DATE	E.C.NO.
12-20-61 116206		12-14-62 116206	

000771



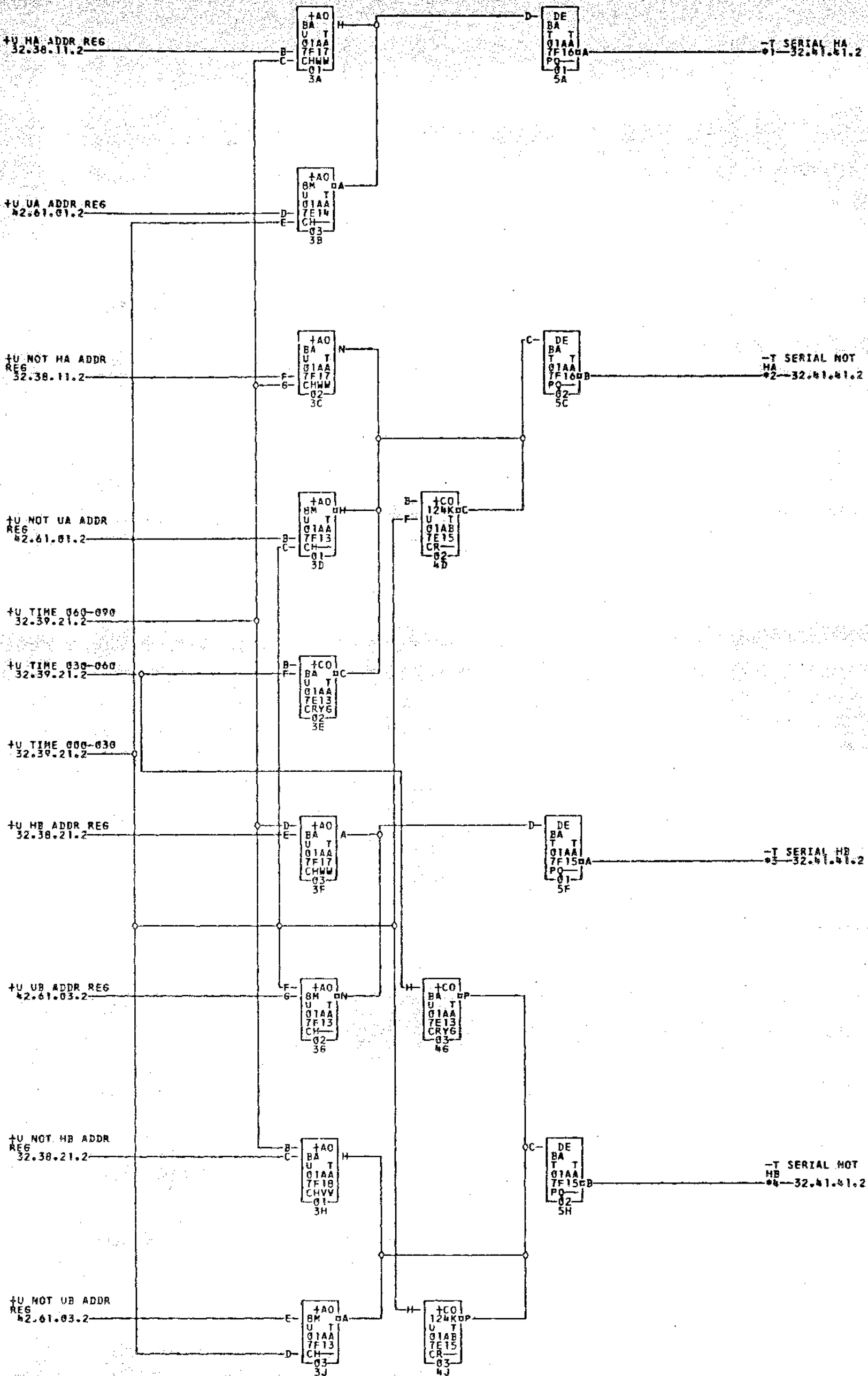
B12.7.62  
 FA 1370F  
 C 12.3.63  
 FA 1775

01-01A7F260    02-01A7F261    03-01A7F262    04-01A7F263    05-01A7F264    06-01A7F265    07-01A7F266    08-01A7F267    09-01A7F268    10-01A7F269    11-01A7F270    12-01A7F271    13-01A7F272    14-01A7F273    15-01A7F274    16-01A7F275    17-01A7F276    18-01A7F277    19-01A7F278    20-01A7F279    21-01A7F280    22-01A7F281    23-01A7F282    24-01A7F283    25-01A7F284    26-01A7F285    27-01A7F286    28-01A7F287    29-01A7F288    30-01A7F289    31-01A7F290    32-01A7F291    33-01A7F292    34-01A7F293    35-01A7F294    36-01A7F295    37-01A7F296    38-01A7F297    39-01A7F298    40-01A7F299    41-01A7F300

COMMENTS

TAG DATE 12-20-61 FIG NO 100-01-02 FIG NO TAG DATE 12-10-62 FIG NO TAG DATE 12-10-62 FIG NO TAG DATE 12-10-62 FIG NO TAG DATE 12-10-62 FIG NO

1775  
 724601



\*1—01A7F26E      ———— 01A8B24E      \*2—01A7F26F      ———— 01A8B24F      \*3—01A7F266      ———— 01A8B246  
 \*4—01A7F26H      ———— 01A8B24H

COMMENTS

TAG DATE E.C.NO. TAG DATE E.C.NO. TAG DATE E.C.NO. TAG DATE E.C.NO.  
 A 12-20-61 112269E B 05-02-62 11141A C 12-14-62 116749F

724002



0724603

DISTRIBUTION SHEET

1401 BA 32.46.11.2

TAG DATE

A 28.5.62  
TA 1344

B 12.3.63  
TA 1775

-T TIME 000-030  
31.12.12.2

-T TIME 000-030  
32.33.11.2  
-T TIME 000-030  
32.32.11.2  
-T TIME 000-030  
32.34.11.2

-T TIME 030-060  
31.12.12.2

-T TIME 030-060  
32.32.11.2  
-T TIME 030-060  
32.34.11.2  
-T TIME 030-060  
32.33.21.2

-T TIME 060-090  
CIRCUIT  
31.12.11.2

-T TIME 060-090  
CK 1  
32.33.11.2  
-T TIME 060-090  
CK 1  
32.32.11.2  
-T TIME 060-090  
CK 1  
32.34.21.2  
-T TIME 060-090  
CK 1  
32.32.21.2  
-T TIME 060-090  
CK 1  
32.33.21.2  
-T TIME 060-090  
CK 1  
32.39.11.2

-T TIME 090-000 NOT WH  
31.12.11.2

-T TIME 090-000  
NOT WH  
32.32.11.2  
-T TIME 090-000  
NOT WH  
32.32.21.2  
-T TIME 090-000  
NOT WH  
32.33.11.2  
-T TIME 090-000  
NOT WH  
32.33.21.2  
-T TIME 090-000  
NOT WH  
32.39.11.2

+U TIME 090-000  
31.12.62.2

+U TIME 090-000  
32.32.21.2  
+U TIME 090-000  
32.34.21.2  
+U TIME 090-000  
32.33.31.2  
+U TIME 090-000  
32.31.11.2  
+U TIME 090-000  
32.30.11.2  
+U TIME 090-000  
32.31.21.2  
+U TIME 090-000  
32.46.01.2

+U GROUND  
00.00.00.0

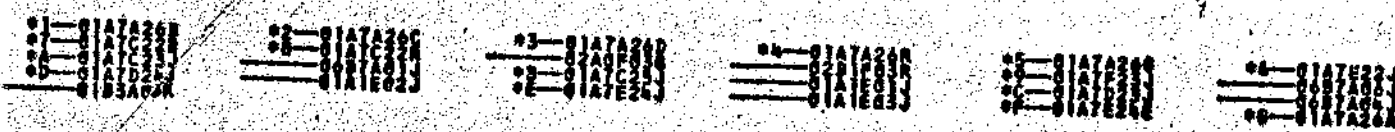
+U GROUND  
00.00.00.0  
+U GROUND  
00.00.00.0  
+U GROUND  
42.54.11.2  
+U GROUND  
00.00.00.0  
+U GROUND  
42.54.11.2  
+U GROUND  
42.54.11.2

+U NOT OVERLAP  
CYCLE  
34.31.21.2

+U NOT OVERLAP  
CYCLE  
34.31.13.2

+U UN ADDR REG  
42.61.03.2

-T UNITS B  
ADDR REG  
31.12.93.2



COMMENTS

TAG DATE 12-30-61 TAG DATE 12-30-61 TAG DATE 12-30-61 TAG DATE 12-30-61 TAG DATE 12-30-61 TAG DATE 12-30-61

724603  
1775

-T PRINT XFER 36.31.51.2-01	-T PRINT XFER 01-32.42.11.2
-T NOT PR SCAN 36.31.41.2-02	-T NOT PR SCAN 02-32.42.11.2
+U PLUS 3 CTRL MOD 36.31.71.2-03	+U PLUS 3 CTRL MOD 03-32.42.21.2
+U STAR ERROR 32.44.51.2-04	+U STAR ERROR 04-36.37.51.2
+U ADDR STOP COMP SYNC 32.45.31.2-05	+U ADDR STOP COMP SYNC 05-37.31.21.2 +U ADDR STOP COMP SYNC 06-75.01.03.2
-T TIME 075-105 31.12.41.2-06	-T TIME 075-105 06-32.45.31.2
+U NOT SNG CYC NOW PROCESS 37.30.11.2-07	+U NOT SNG CYC NOW PROCESS 07-75.01.04.2
+U B REG NOT WM 35.14.61.2-08	+U B REG NOT WM 08-32.44.31.2
-T 51 COLUMN 36.16.11.2-09	-T 51 COLUMN 09-56.00.11.2
-T TIME 000-030 31.12.12.2-10	-T TIME 000-030 10-31.07.11.2
-T TIME 090-000 31.12.21.2-11	-T TIME 090-000 11-56.00.11.2
+U I-E CONTROL 31.05.21.2-12	+U I-E CONTROL 12-76.21.31.2
+U INO TURN OFF DELTA PROCESS 32.45.31.2-13	+U INO TURN OFF DELTA PROCESS 13-77.30.51.2
+Y DENSITY SW 200 + 800 71.71.11.2-14	+Y DENSITY SW 200 + 800 14-71.61.21.2
+Y DENSITY SW 556 + 800 71.71.11.2-15	+Y DENSITY SW 556 + 800 15-71.61.21.2
+Y DENSITY SW 200 + 556 71.71.11.2-16	+Y DENSITY SW 200 + 556 16-71.61.21.2
+U DELTA OVRLAP CYCLE 74.31.21.2-17	+U DELTA OVRLAP CYCLE 17-37.31.21.2
-T OUT 32.41.31.2-18	-T OUT 18-37.31.21.2
-T TIME 015-045 31.12.22.2-19	-T TIME 015-045 19-74.21.41.2

C 28.5.6  
TA 1344  
D 12.3.6  
TA 1775

*1-01A7D25G	*2-01A7D25H	*3-01A7D25I	*4-01A7A250	*5-01A7E23N	*6-01A7E23R
*7-01A7E23M	*8-01A7D26K	*9-01A7D25R	*A-01A7E25K	*B-01A7D240	*C-01A7E23M
*D-01A7E230	*E-01A7E25M	*F-01A7E25P	*G-01A7E25Q	*H-01A7C226	*I-01A7E23M
*K-01A7E240	*L-01A7A25L	*M-01A7A25M	*N-01A7A25P	*O-01A7C240	*P-01A7E25L
*R-01A7E24N	*S-01A7A23M	*T-01A7A236	*U-01A7A23C	*V-01A7B238	*W-01A7E25I
*X-01A7A23M	*Y-01A7C220	*Z-01A7E25R	*01-01A7C22D	*1-01A7C22E	*2-01A7C22F
*04-01A7E24F	*5-01A7E25E	*6-01A7C22K			

COMMENTS

TAG DATE	FIC NO	TAG DATE	FIC NO	TAG DATE	FIC NO	TAG DATE	FIC NO
A 12-20-01	F122696	B 01-14-02	F13530A	C 02-14-02	F16242A	D 12-14-02	F16740F

724604

672465

ADDR REG DR AND THOUSANDS C DISPLAY

1601 BA

32.46.31.2

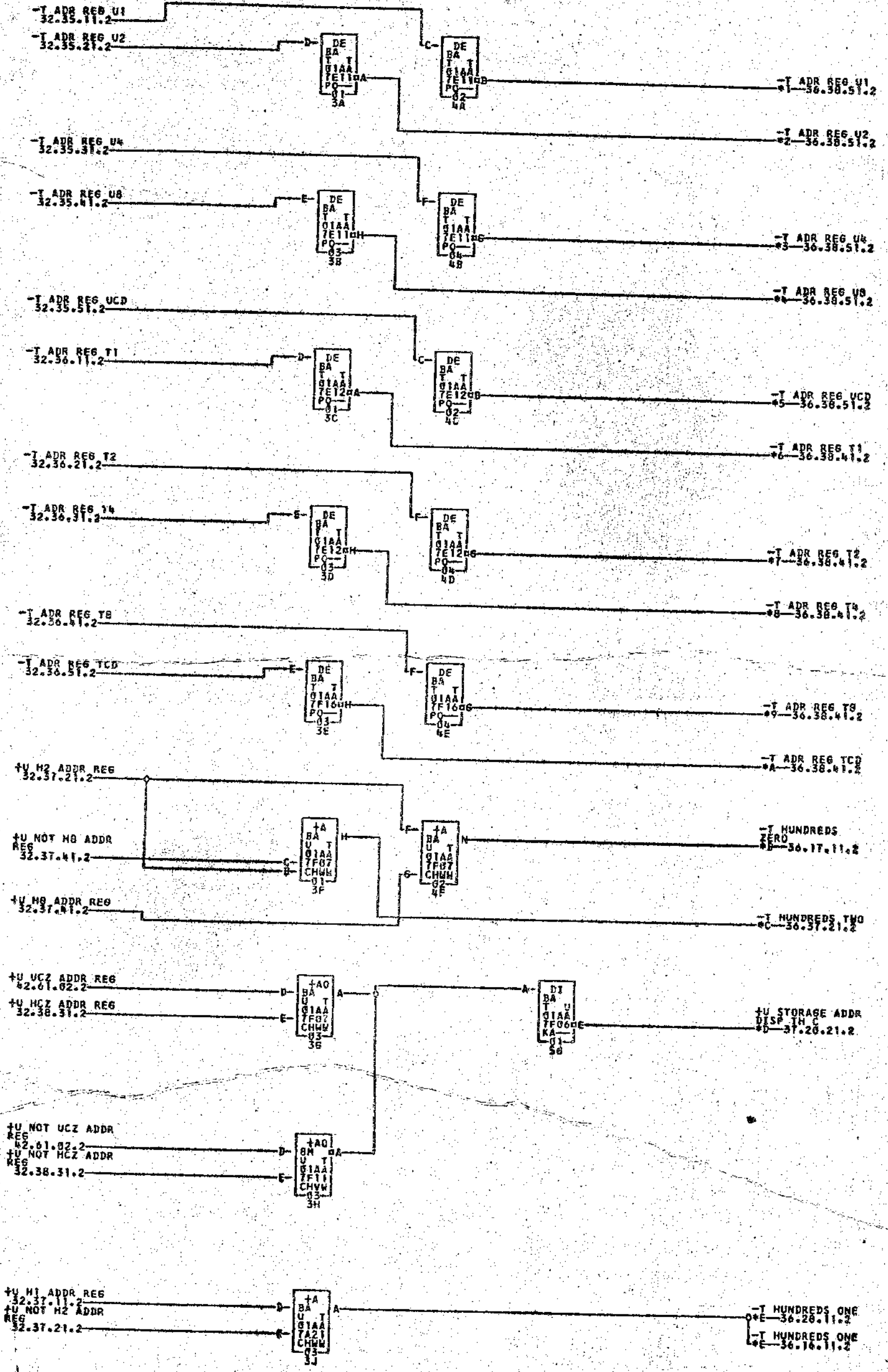
TAG DA

A 28.5.62

TA 1344

B 12.3.63

TA 1775



1	01A7C26A	11	01A23A	21	01A7C26D	31	01B5A23	41	01A7C26C	51	01B5A23
2	01A7C26B	12	01A23B	22	01A7C26E	32	01B5A24	42	01A7C26D	52	01B5A24
3	01A7C26C	13	01A23C	23	01A7C26F	33	01B5A25	43	01A7C26E	53	01B5A25
4	01A7C26D	14	01A23D	24	01A7C26G	34	01B5A26	44	01A7C26F	54	01B5A26
5	01A7C26E	15	01A23E	25	01A7C26H	35	01B5A27	45	01A7C26G	55	01B5A27
6	01A7C26F	16	01A23F	26	01A7C26I	36	01B5A28	46	01A7C26H	56	01B5A28
7	01A7C26G	17	01A240	27	01A7C26J	37	01B5A29	47	01A7C26I	57	01B5A29
8	01A7C26H	18	01A241	28	01A7C26K	38	01B5A30	48	01A7C26J	58	01B5A30
9	01A7C26I	19	01A242	29	01A7C26L	39	01B5A31	49	01A7C26K	59	01B5A31
10	01A7C26J	20	01A243	30	01A7C26M	40	01B5A32	50	01A7C26L	60	01B5A32

COMMENTS

AG DATE E.C.NO. TAG DATE E.C.NO. TAG DATE E.C.NO. TAG DATE E.C.NO.

A 12-24-61 112206 B 12-16-61 116189 C TAG DATE E.C.NO. TAG DATE E.C.NO.

726003

1775

A 5.4.62  
TA 1233B

B 25.3.62  
TA 1785

-T SERIAL 1  
32.39.21.2-#1

- T SERIAL 1 32.44.11.2
- T SERIAL 1 32.44.21.2
- T SERIAL 1 32.44.41.2
- T SERIAL 1 32.45.21.2
- T SERIAL 1 32.43.41.2
- T SERIAL 1 32.43.31.2
- T SERIAL 1 32.43.11.2
- T SERIAL 1 32.43.21.2
- T SERIAL 1 32.43.51.2
- T SERIAL 1 32.43.61.2
- T SERIAL 1 32.43.71.2
- T SERIAL 1 32.43.81.2
- T SERIAL 1 32.43.91.2
- T SERIAL 1 42.62.04.2

-T SERIAL NOT 1  
32.39.21.2-#2

- T SERIAL NOT 1 32.45.21.2
- T SERIAL NOT 1 32.44.21.2
- T SERIAL NOT 1 32.43.11.2
- T SERIAL NOT 1 32.43.31.2
- T SERIAL NOT 1 32.43.51.2
- T SERIAL NOT 1 32.43.61.2
- T SERIAL NOT 1 32.43.71.2
- T SERIAL NOT 1 32.43.81.2
- T SERIAL NOT 1 32.44.11.2
- T SERIAL NOT 1 32.43.21.2
- T SERIAL NOT 1 42.62.04.2

-T SERIAL 2  
32.39.21.2-#3

- T SERIAL 2 32.45.21.2
- T SERIAL 2 32.44.41.2
- T SERIAL 2 32.44.21.2
- T SERIAL 2 32.43.21.2
- T SERIAL 2 32.43.31.2
- T SERIAL 2 32.43.41.2
- T SERIAL 2 32.43.51.2
- T SERIAL 2 32.43.61.2
- T SERIAL 2 32.43.71.2
- T SERIAL 2 32.43.81.2
- T SERIAL 2 32.43.91.2
- T SERIAL 2 32.44.11.2
- T SERIAL 2 42.62.04.2

-T SERIAL NOT 2  
32.39.21.2-#4

- T SERIAL NOT 2 32.45.21.2
- T SERIAL NOT 2 32.44.41.2
- T SERIAL NOT 2 32.43.21.2
- T SERIAL NOT 2 32.43.31.2
- T SERIAL NOT 2 32.43.41.2
- T SERIAL NOT 2 32.43.51.2
- T SERIAL NOT 2 32.43.61.2
- T SERIAL NOT 2 32.43.71.2
- T SERIAL NOT 2 32.43.81.2
- T SERIAL NOT 2 32.43.91.2
- T SERIAL NOT 2 32.44.11.2
- T SERIAL NOT 2 32.44.21.2
- T SERIAL NOT 2 42.62.04.2

\*1-01A8C25C

\*2-01A8C25D

\*3-01A8C25E

\*4-01A8C25F

728938

COMMENTS

TAG DATE	E.C.NO.	TAG DATE	E.C.NO.	TAG DATE	E.C.NO.	TAG DATE	E.C.NO.
A 12-18-61	113538	B 12-19-62	114177C				

A 5.4.63  
TA 1233B

B 25.9.63  
TA 1795

-T SERIAL 4  
32.39.31.2 -1

- T SERIAL 4 32.43.21.2
- T SERIAL 4 32.45.21.2
- T SERIAL 4 32.43.31.2
- T SERIAL 4 32.43.41.2
- T SERIAL 4 32.43.71.2
- T SERIAL 4 32.43.91.2
- T SERIAL 4 32.44.11.2
- T SERIAL 4 32.44.21.2
- T SERIAL 4 32.44.41.2

-T SERIAL NOT 4  
32.39.31.2 -2

- T SERIAL NOT 4 32.43.41.2
- T SERIAL NOT 4 32.43.31.2
- T SERIAL NOT 4 32.44.11.2
- T SERIAL NOT 4 32.44.21.2
- T SERIAL NOT 4 32.45.21.2

-T SERIAL 8  
32.39.31.2 -3

- T SERIAL 8 42.62.01.2
- T SERIAL 8 42.62.02.2
- T SERIAL 8 42.62.03.2
- T SERIAL 8 32.43.21.2
- T SERIAL 8 32.45.21.2
- T SERIAL 8 32.44.11.2
- T SERIAL 8 32.44.21.2
- T SERIAL 8 32.44.41.2
- T SERIAL 8 32.43.31.2
- T SERIAL 8 32.43.41.2
- T SERIAL 8 32.43.51.2
- T SERIAL 8 32.43.61.2
- T SERIAL 8 32.43.71.2
- T SERIAL 8 32.43.81.2
- T SERIAL 8 32.43.91.2

-T SERIAL NOT 8  
32.39.31.2 -4

- T SERIAL NOT 8 32.43.21.2
- T SERIAL NOT 8 32.43.31.2
- T SERIAL NOT 8 32.43.51.2
- T SERIAL NOT 8 32.43.61.2
- T SERIAL NOT 8 32.43.81.2
- T SERIAL NOT 8 32.44.11.2
- T SERIAL NOT 8 32.44.21.2
- T SERIAL NOT 8 32.45.21.2
- T SERIAL NOT 8 42.62.01.2
- T SERIAL NOT 8 42.62.02.2
- T SERIAL NOT 8 42.62.03.2

\*1-01A8C258

\*2-01A8C25H

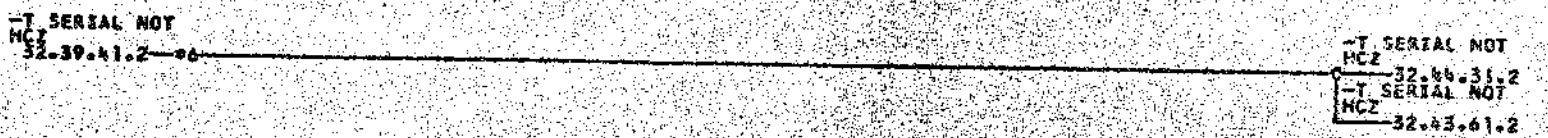
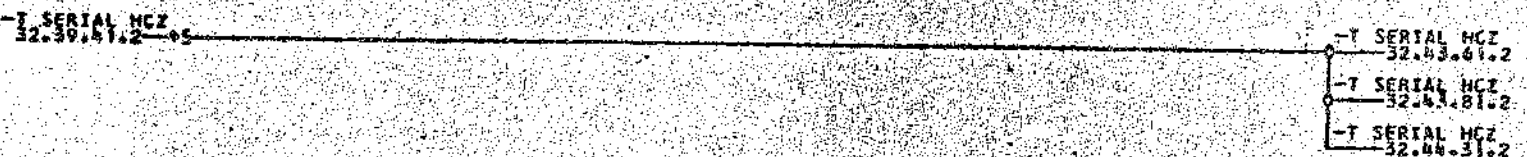
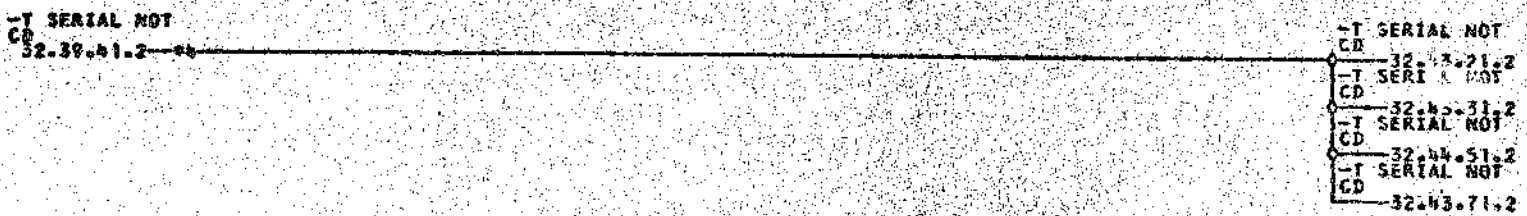
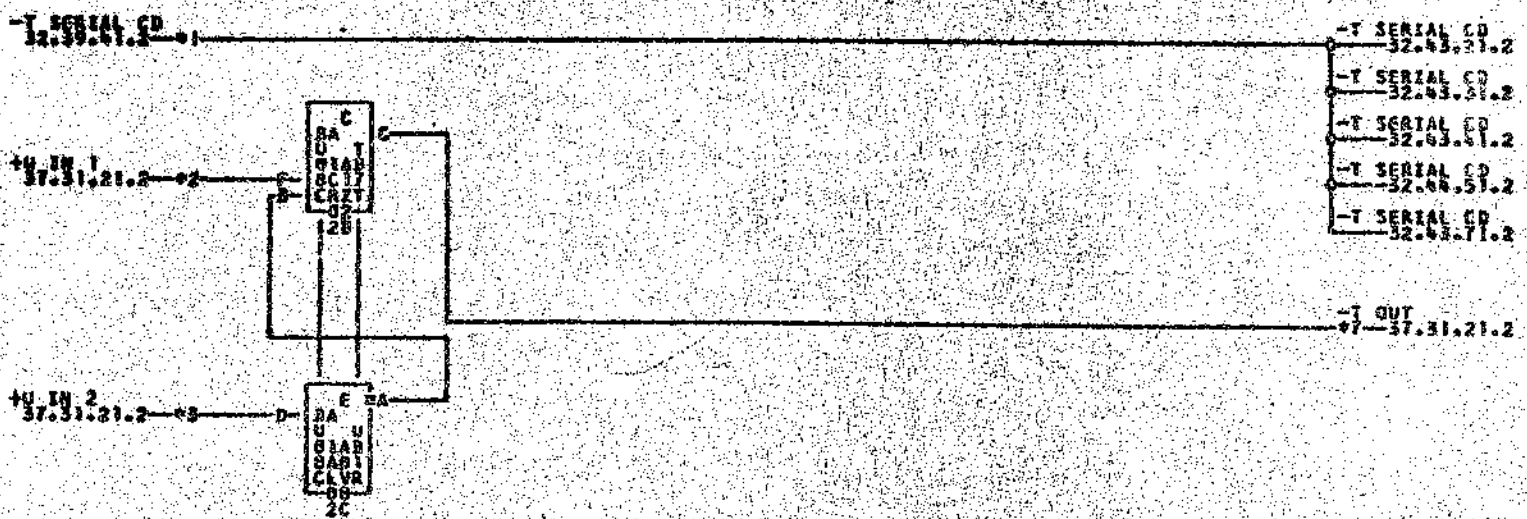
\*3-01A8C25J

\*4-01A8C25K

1795  
728939

COMMENTS

TAG DATE	E.C.NO.	TAG DATE	E.C.NO.	TAG DATE	E.C.NO.	TAG DATE	E.C.NO.
A 12-18-61	113530	B 12-19-62	114172				



\*1-01A8B22A    \*2-01A8E24A    \*3-01A8C24A    \*4-01A8B24B    \*5-01A8B24C    \*6-01A8B24D  
 \*7-01A8B22A    \*8-01A7E23A

COMMENTS

TAG DATE	S.C. NO.	TAG DATE	S.C. NO.	TAG DATE	S.C. NO.
12-16-51	113330	12-19-52	119177C		

728940

A 5.4.62  
TA 1233B

B 26.3.63  
TA 179b

-T SERIAL HA  
32.39.51.2-01

- T SERIAL HA  
42.62.01.2
- T SERIAL HA  
42.62.02.2
- T SERIAL HA  
32.44.41.2
- T SERIAL HA  
32.45.21.2
- T SERIAL HA  
32.44.31.2
- T SERIAL HA  
32.43.51.2
- T SERIAL HA  
42.62.03.2
- T SERIAL HA  
32.43.81.2

-T SERIAL NOT  
HA  
32.39.51.2-02

- T SERIAL NOT  
HA  
42.62.01.2
- T SERIAL NOT  
HA  
32.44.31.2
- T SERIAL NOT  
HA  
32.44.41.2
- T SERIAL NOT  
HA  
32.43.51.2
- T SERIAL NOT  
HA  
32.45.21.2
- T SERIAL NOT  
HA  
42.62.02.2
- T SERIAL NOT  
HA  
42.62.03.2

-T SERIAL HB  
32.39.51.2-03

- T SERIAL HB  
42.62.01.2
- T SERIAL HB  
42.62.02.2
- T SERIAL HB  
32.44.31.2
- T SERIAL HB  
32.44.41.2
- T SERIAL HB  
32.45.21.2
- T SERIAL HB  
32.43.41.2
- T SERIAL HB  
32.43.81.2
- T SERIAL HB  
42.62.03.2

-T SERIAL NOT  
HB  
32.39.51.2-04

- T SERIAL NOT  
HB  
42.62.01.2
- T SERIAL NOT  
HB  
32.44.31.2
- T SERIAL NOT  
HB  
32.44.41.2
- T SERIAL NOT  
HB  
32.45.21.2
- T SERIAL NOT  
HB  
32.43.81.2
- T SERIAL NOT  
HB  
42.62.02.2
- T SERIAL NOT  
HB  
42.62.03.2

01-01A6B24E

02-01A6B24F

03-01A6B24G

04-01A6B24H

728941  
1795

COMMENTS

TAG DATE	E.C.NO.	TAG DATE	E.C.NO.	TAG DATE	E.C.NO.	TAG DATE	E.C.NO.
A 12-18-61	113530	B 12-19-62	114177C				

-T NOT GATED WM  
CYCLE  
42.62.01.2

+U STORAGE  
SCAN  
37.30.12.2

-T NOT MOD  
CONTROL XFER  
32.42.41.2

-T NOT OVERLAP  
CONTROL  
32.42.21.2

+T PLUS 1  
MODIFIER CTRL  
41.51.71.2

-T REVERSE SCAN  
DIV  
44.12.01.2

-T INO MOD PLUS  
ONE MOD D  
77.19.11.2

-T PRINT XFER  
36.31.51.2

+U ADDRESS MOD  
PLUS 1  
42.65.02.2

-T NOT PR SCAN  
36.31.51.2

+U TIME 060-090  
31.12.01.2

+T BLOCK MINUS  
1 MOD  
42.62.01.2

+U DELTA I  
CYCLE  
31.21.11.2

-T NOT INDEX  
41.51.31.2

+U TIME 030-090  
31.12.01.2

+U CV CTRL RVRS  
SCAN  
31.04.11.2

-T TAPE +I MOD  
28.13.21.2

-T +I MOD\*OV  
74.31.21.2

+U NOT COL BIN  
CTRL  
41.11.51.2

+U R-P SCAN  
36.11.11.2

+U PROCESS  
31.02.41.2

+U I CYCLE  
31.24.11.2

+U STAR ENTRY  
GATE A  
32.39.11.2

+U TIME 090-000  
31.12.02.2

+U MODIFIER  
CONTROL PLUS 1  
32.42.21.2

+U STORAGE SCAN  
32.44.51.2

-T NOT OVERLAP  
CONTROL  
32.42.41.2

+U MODIFIER  
CONTROL MINUS 1  
32.42.21.2

+U MODIFIER  
CONTROL MINUS 1  
32.44.41.2

+U TIME 060-090  
32.44.41.2

+U TIME 060-090  
32.44.51.2

+U TIME 060-090  
32.42.31.2

+U TIME 060-090  
32.42.41.2

+U TIME 060-090  
32.42.21.2

+U TIME 060-090  
\*M-32.39.21.2

-T NOT INDEX  
32.44.51.2

-T NOT INDEX  
\*N-32.33.11.2

-T NOT INDEX  
1311  
75.01.10.2

+U TIME 030-090  
32.44.51.2

+U NOT COL BIN  
CONTROL  
32.42.31.2

+U PROCESS  
32.44.31.2

+U I CYCLE  
32.45.21.2

-T SET BUS ENT  
GATE  
32.43.11.2

-T SET BUS ENT  
GATE  
32.43.21.2

-T SET BUS ENT  
GATE  
32.43.31.2

-T SET BUS ENT  
GATE  
32.43.41.2

-T SET BUS ENT  
GATE  
32.43.51.2

-T SET BUS ENT  
GATE  
32.43.61.2

-T SET BUS ENT  
GATE  
32.43.71.2

-T SET BUS ENT  
GATE  
32.43.81.2

-T SET BUS ENT  
GATE  
42.62.01.2

-T SET BUS ENT  
GATE  
42.62.02.2

-T SET BUS ENT  
GATE  
42.62.03.2

\*1-01ABC266  
\*2-01ABE25P  
\*3-01ABE25P  
\*4-01ABE25P  
\*5-01ABE25P  
\*6-01ABE25P  
\*7-01ABE25P  
\*8-01ABE25P  
\*9-01ABE25P  
\*A-01ABE25P  
\*B-01ABE25P  
\*C-01ABE25P  
\*D-01ABE25P  
\*E-01ABE25P  
\*F-01ABE25P  
\*G-01ABE25P  
\*H-01ABE25P  
\*I-01ABE25P  
\*J-01ABE25P  
\*K-01ABE25P  
\*L-01ABE25P

\*2-01A8A25K  
\*3-01A8F26L  
\*4-01A8F26L  
\*5-01A8F26L  
\*6-01A8D26C  
\*7-01A8D26C  
\*8-01A8D26C  
\*9-01A8D26C  
\*A-01A8D26C  
\*B-01A8D26C  
\*C-01A8D26C  
\*D-01A8D26C  
\*E-01A8D26C  
\*F-01A8D26C  
\*G-01A8D26C  
\*H-01A8D26C  
\*I-01A8D26C  
\*J-01A8D26C  
\*K-01A8D26C  
\*L-01A8D26C

\*3-01A8F26L  
\*4-01A8F26L  
\*5-01A8F26L  
\*6-01A8D26C  
\*7-01A8D26C  
\*8-01A8D26C  
\*9-01A8D26C  
\*A-01A8D26C  
\*B-01A8D26C  
\*C-01A8D26C  
\*D-01A8D26C  
\*E-01A8D26C  
\*F-01A8D26C  
\*G-01A8D26C  
\*H-01A8D26C  
\*I-01A8D26C  
\*J-01A8D26C  
\*K-01A8D26C  
\*L-01A8D26C

\*4-01A8E26R  
\*5-01A8C25L  
\*6-01A8E26R  
\*7-01A8E26R  
\*8-01A8E26R  
\*9-01A8E26R  
\*A-01A8E26R  
\*B-01A8E26R  
\*C-01A8E26R  
\*D-01A8E26R  
\*E-01A8E26R  
\*F-01A8E26R  
\*G-01A8E26R  
\*H-01A8E26R  
\*I-01A8E26R  
\*J-01A8E26R  
\*K-01A8E26R  
\*L-01A8E26R

\*5-01B8A8CD  
\*6-01A8B25C  
\*7-01A8B25C  
\*8-01A8E25C  
\*9-01A8E25C  
\*A-01A8E25C  
\*B-01A8E25C  
\*C-01A8E25C  
\*D-01A8E25C  
\*E-01A8E25C  
\*F-01A8E25C  
\*G-01A8E25C  
\*H-01A8E25C  
\*I-01A8E25C  
\*J-01A8E25C  
\*K-01A8E25C  
\*L-01A8E25C

\*1B7DQ2H  
\*2B7A15C  
\*3B8D26B  
\*4A8C25A

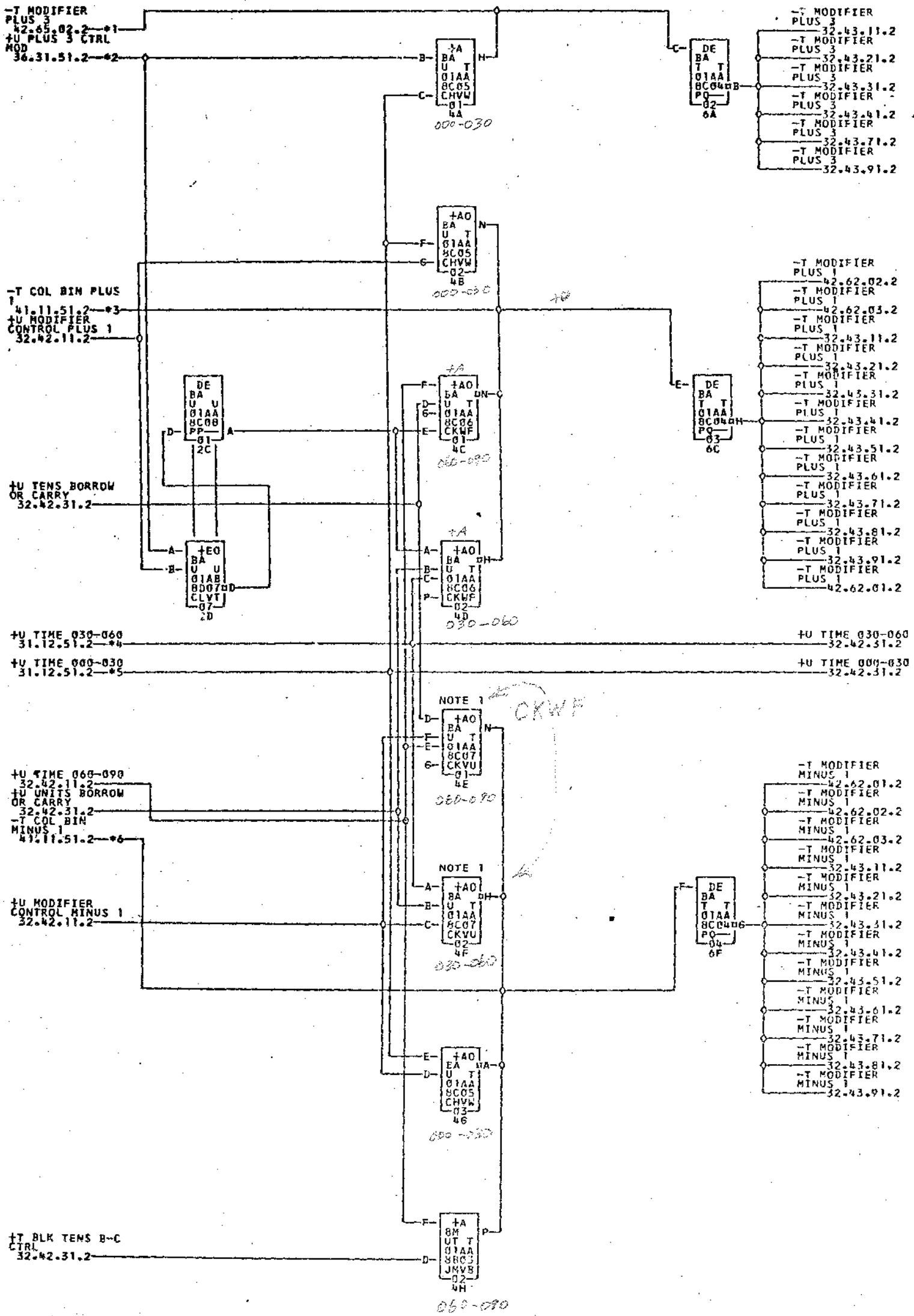
NOTE-1 TIE 802A TO 802M WHEN OVERLAP  
FEATURE IS INSTALLED  
NOTE ASTERISK PRECEDING SIGNAL  
INDICATES DIRECT CABLE EXPANSION

TAG DATE E.C.NO. TAG DATE E.C.NO. TAG DATE E.C.NO. TAG DATE E.C.NO.

A 12-18-61 113539 B 01-23-62 113839 C 12-19-62 114177

142071



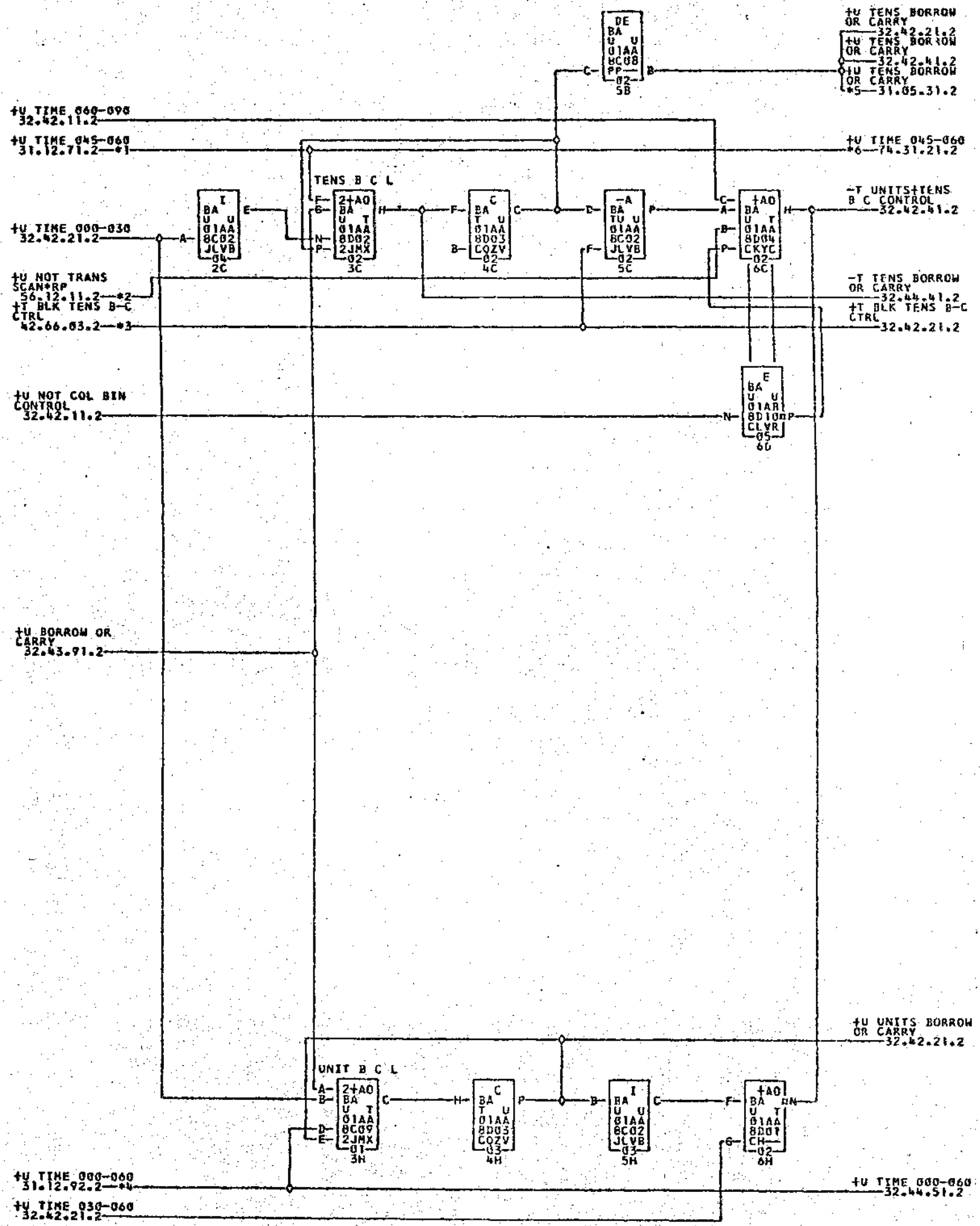


- \*1-01A8B25D
- \*2-01A8C25P
- \*3-01A8D24M
- \*4-01A8F24N
- \*5-01A8E25D
- 06B7A15D

NOTE 1 IF 1406 IS ATTACHED A CKWF-371210 MUST BE PLUGGED IN LOCATION C07

TAG DATE	E.C.NO.	TAG DATE	E.C.NO.	TAG DATE	E.C.NO.	TAG DATE	E.C.NO.
A 12-18-61	13536	B 12-19-62	114177C				

1795  
728943



- \*1-01ABE25B  
01B2D01K
- \*2-01ABE24J  
01ABE25J
- \*3-04B7A15A
- 01ABD25A
- \*4-01ABE25A
- \*5-01ABD26K

COMMENTS

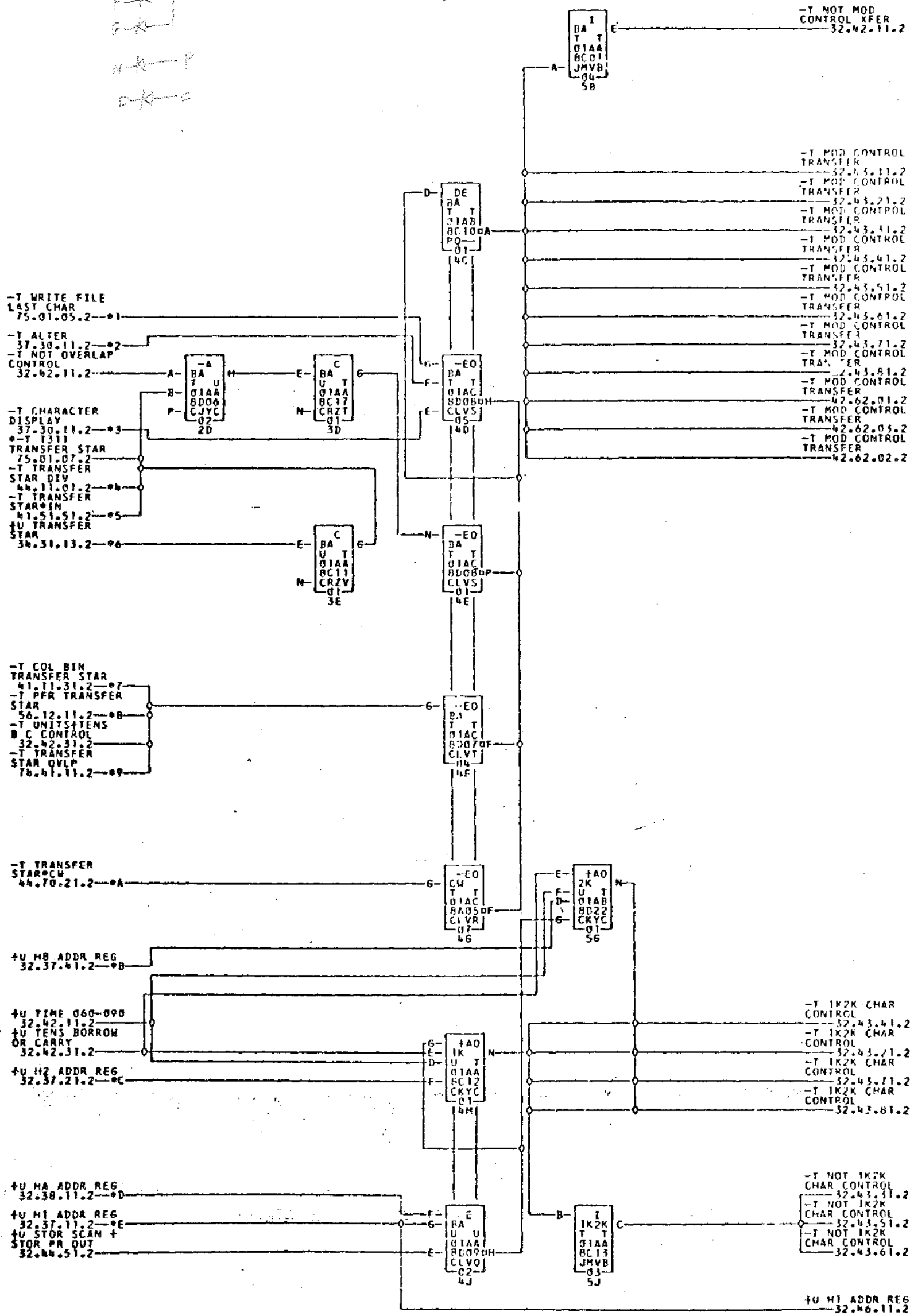
TAG	DATE	E.C.NO.	TAG	DATE	E.C.NO.	TAG	DATE	E.C.NO.	TAG	DATE	E.C.NO.
A	12-18-61	113530	B	12-19-62	114177C						

446071

-OR EXTENDED  
CVLS

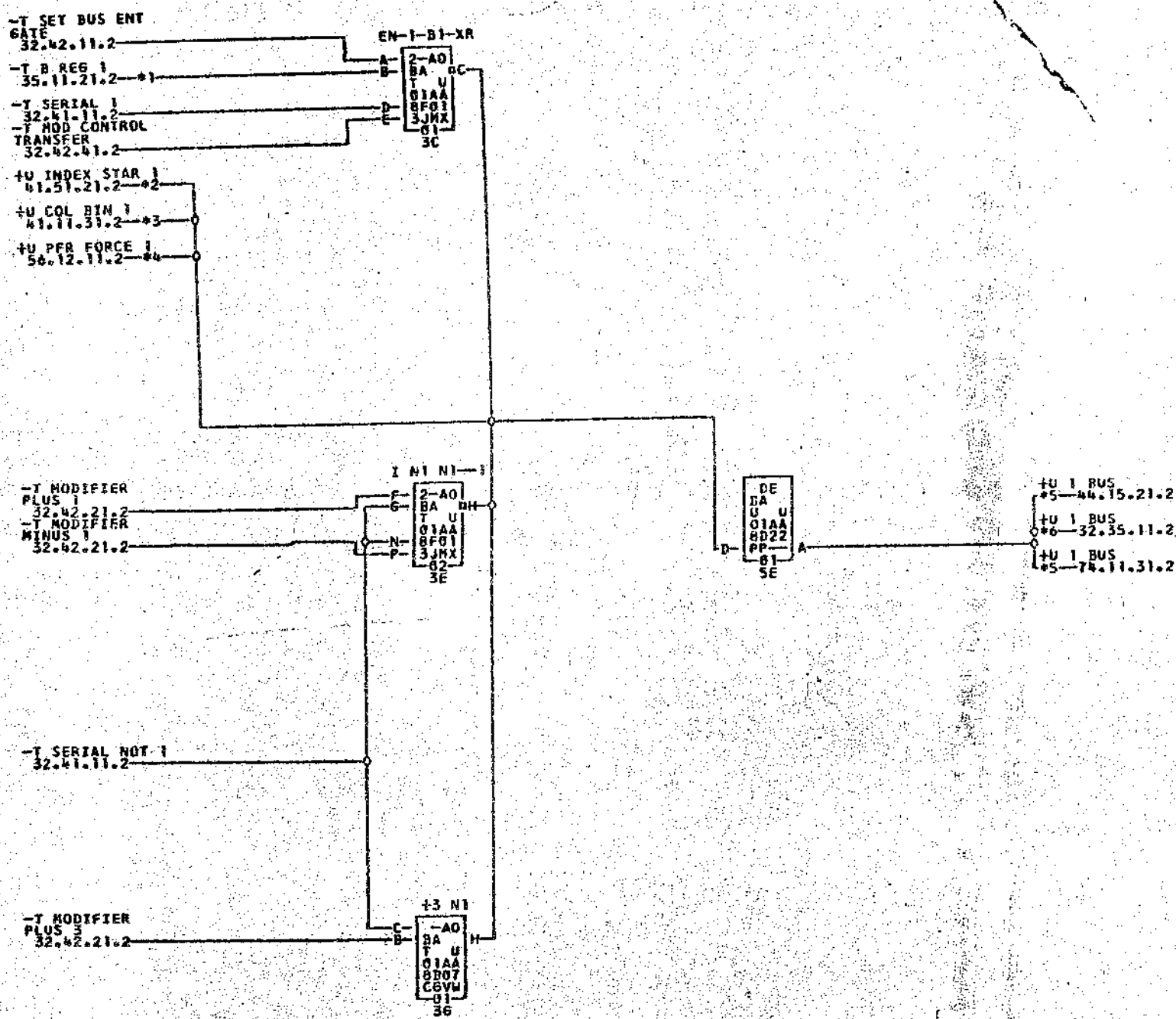
E  
F  
G  
H  
K  
P  
R

EMITTER  
MILWAUKEE  
PR



- \*1--01ABC24P
- \*2--01ABC26D
- \*3--01ABC26F
- \*4--01ABE26K
- \*5--01ABE26P
- \*6--01ABE25L
- \*7--01ABD24E
- \*8--01ABE24B
- \*9--01ABE25F
- \*A--01ABE26H
- \*B--01ABA26P
- \*C--01ABD25P
- \*D--01ABD25O
- \*E--01ABD25L

720945



- \*1-01A8F24A  
02A7B26F
- \*2-01A8E26A  
02B1A02F
- \*3-01A8D246  
01A8D25A
- \*4-01A8E24C  
01A7B26A
- \*5-01A8F26F
- 02A9D05A

COMMENTS	TAG DATE	E.C.NO.	TAG DATE	E.C.NO.	TAG DATE	E.C.NO.
	A 12-18-61	113530	D 12-19-62	114177C		

728946  
1795

-T SET BUS ENT

GATE 32.42.11.2

-T B REG 2

35.11.61.2

-T MOD CONTROL

TRANSFER 32.42.41.2

-T MODIFIER

PLUS 3 32.42.21.2

-T SERIAL 4

32.41.21.2

-T SERIAL 8

32.41.21.2

-T SERIAL CD

32.41.31.2

-T SERIAL NOT

CD 32.41.31.2

-T SERIAL NOT B

32.41.21.2

-T SERIAL 2

32.41.11.2

-T SERIAL NOT 1

32.41.11.2

-T MODIFIER

PLUS 1 32.42.21.2

+U COL BIN 2

41.11.31.2

+U INDEK STAR 2

41.51.21.2

+U PFR FORCE 2

56.12.11.2

-T SERIAL 1

32.41.11.2

-T 1K2K CHAA

CONTROL 32.42.41.2

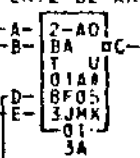
-T SERIAL NOT 2

32.41.11.2

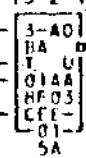
-T MODIFIER

MINUS 1 32.42.21.2

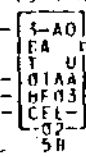
ENT2 B2 XR



+3 2 1



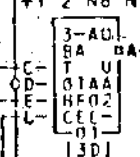
+3 4 NC



+3 8 C



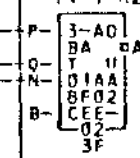
+1 2 NB N1



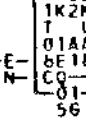
E



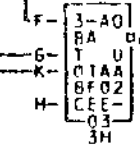
+1 1 N2



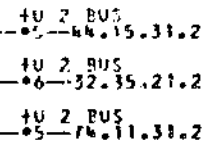
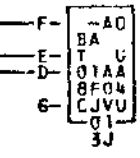
-CO



-1 1 2



-1 N2 NCD



\*1-01A8F24B  
02A7B26E

\*2-01ARD24K  
02B1A02E

\*3-01A8E26B  
01A8D25B

\*4-01A8F24A  
01A7B26B

\*5-01A8F26E

0249D03A

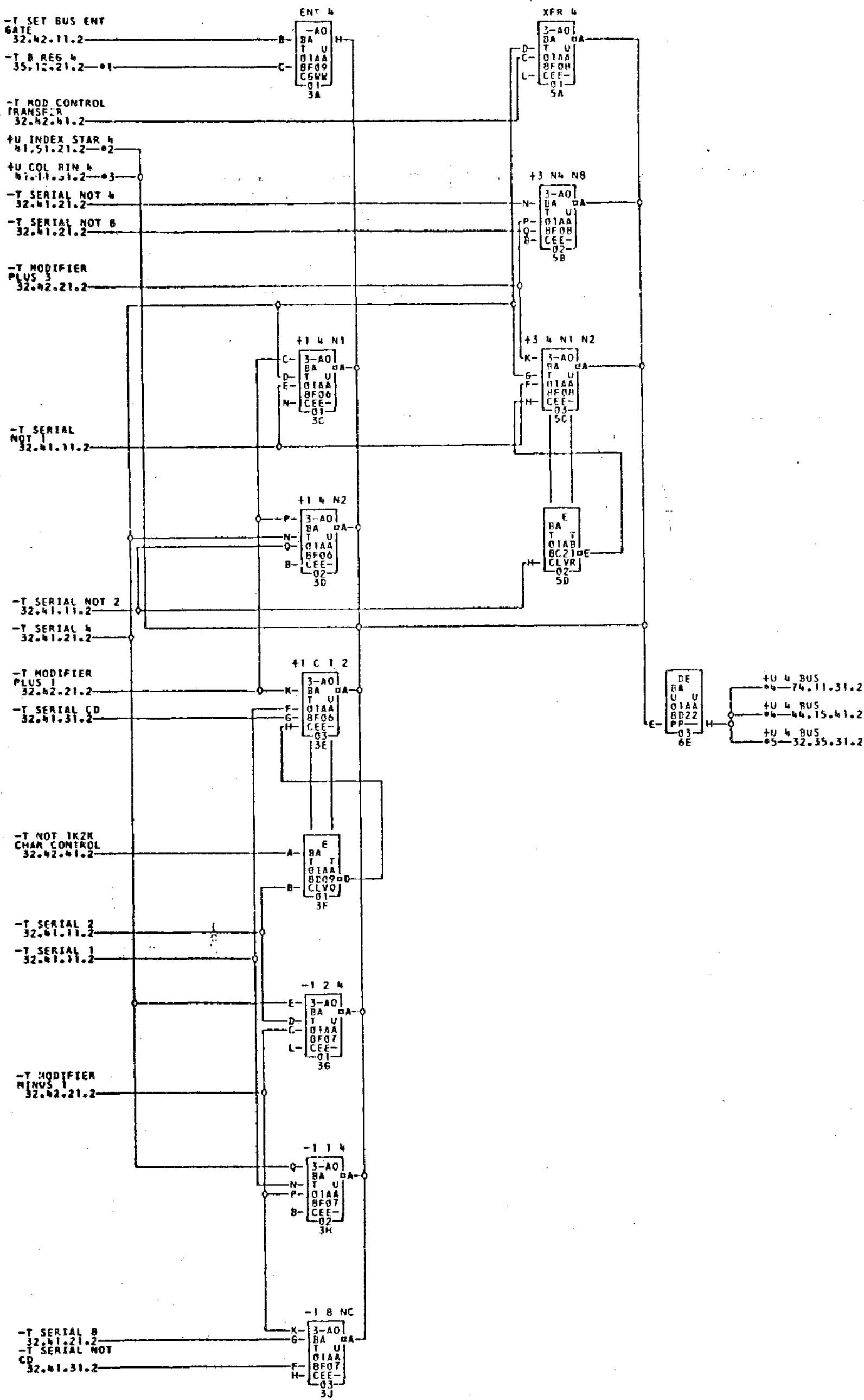
COMMENTS

TAG DATE	F.C.NO.	TAG DATE	E.C.NO.	TAG DATE	E.C.NO.	TAG DATE	E.C.NO.
A 12-18-61	113550	B 12-19-62	114177C				

728947

A 5.4.62  
TA 1233B

B 25.3.63  
TA 1795



- \*1-01A8F24C      \*2-01A8E26C      \*3-01A8D24F      \*4-01A8F26D      02A9D01A      02A7B26D
- 82B1A82D      05-01A8D25C      01A7B26C

726948

0720949

MODIFIER SECT. 8 BIT

1401 BA

32.43.41.2

TAG DATE

-T SET BUS ENT  
GATE  
32.42.11.2

-T B RFG 0  
35.12.01.2

-T MOD CONTROL  
TRANSFER  
32.42.41.2

ENT 8 B XR



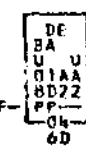
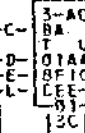
+3 C 4



+3 B 2



+1 N 1 2



+U B BUS  
05-44.15.51.2  
+U B BUS  
06-32.35.41.2  
+U B BUS  
05-74.11.31.2

-T MODIFIER  
PLUS 3  
32.42.21.2

-T SERIAL 4  
32.41.21.2

-T MODIFIER  
PLUS 1  
32.42.21.2

-T SERIAL 1  
32.41.11.2

-T SERIAL 3  
32.41.11.2

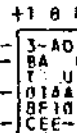
+U PFR FORCE 8  
50.12.11.2

+U INDEY STAR 8  
41.51.21.2

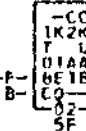
+U COL BIN 0  
41.11.31.2

-T SERIAL CD  
32.41.31.2

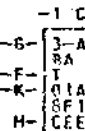
-T SERIAL B  
32.41.21.2



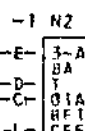
-T 1K2K CHAR  
CONTROL  
32.42.41.2



-T SERIAL NOT 2  
32.41.11.2



-T MODIFIER  
MINUS 1  
32.42.21.2



-T SERIAL NOT 4  
32.41.21.2



- \*1-01ABF24D  
02A7B26C
- \*2-01ABE24F  
02B1A02C
- \*3-01ABE26D  
01AB025D
- \*4-01AP024J  
01A7B26D
- \*5-01ABF26C
- 02A9C19A

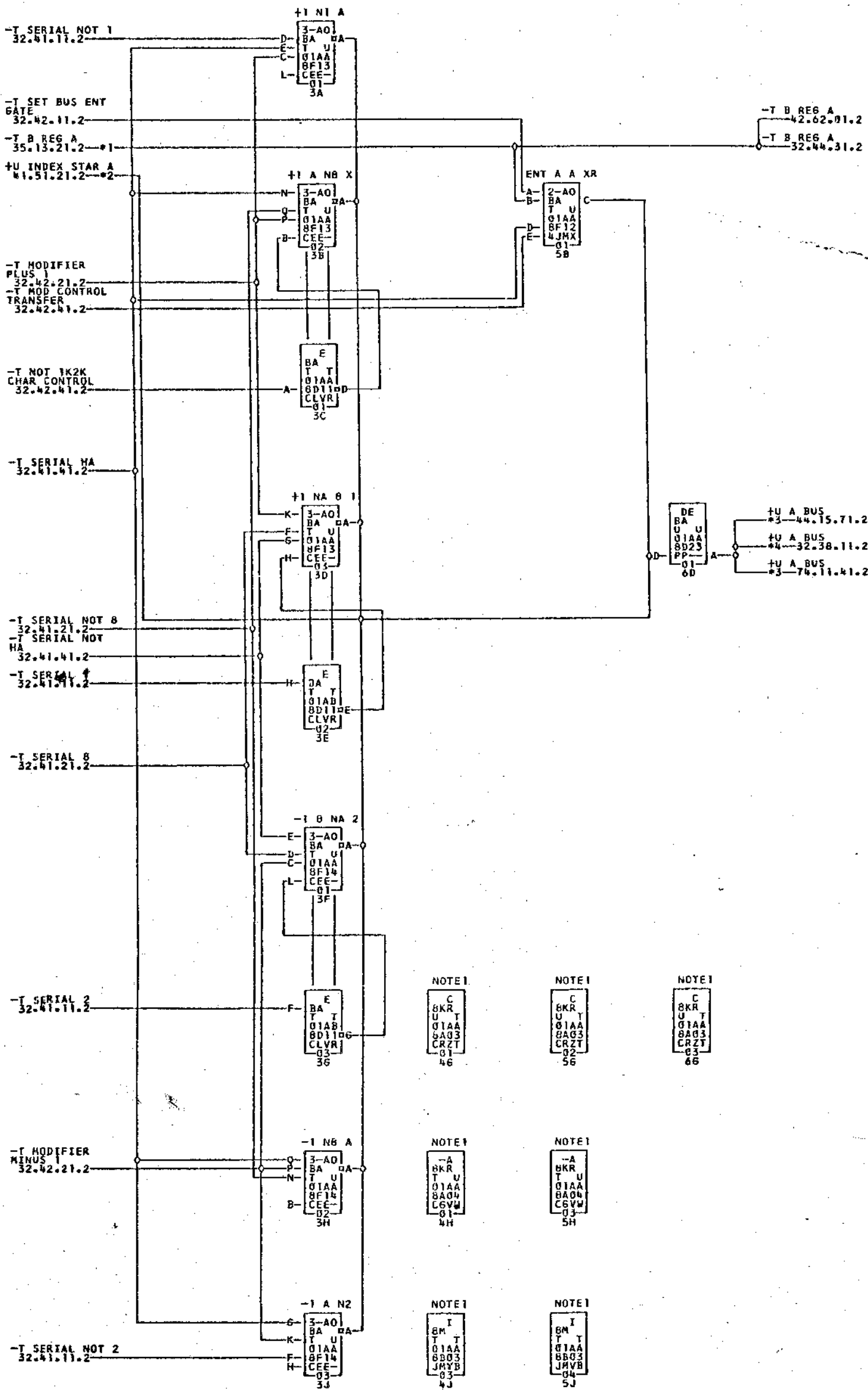
COMMENTS

TAG DATE	E.C.NO.	TAG DATE	E.C.NO.	TAG DATE	E.C.NO.	TAG DATE	E.C.NO.
A 12-18-61	113530	B 12-19-62	114177C				

720949

A 5.4.62  
TA 1233B

B 25.3.63  
TA 1795



\*1-01A8F24E    \*2-01A8E26F    \*3-01A8F266    —02A9D07A    —02A7B266    —02B1A026  
 \*4-01A8D25F    —01A7B26F

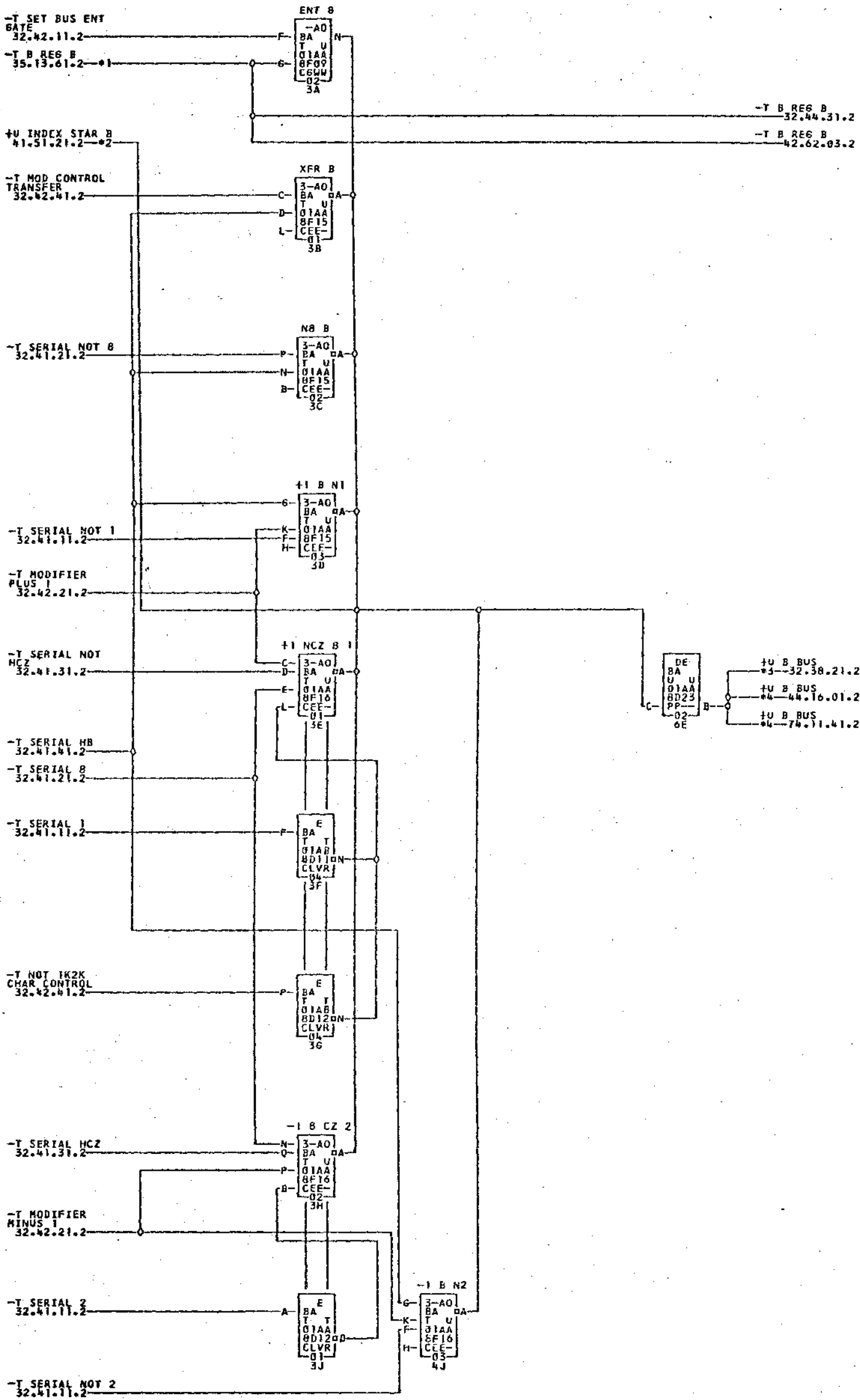
COMMENTS  
 NOTE1 CIRCUITS RESERVED FOR BK  
 ADDRESS CHECK RPO 494698

TAG DATE	E.C.NO.	TAG DATE	E.C.NO.	TAG DATE	E.C.NO.	TAG DATE	E.C.NO.
A 12-18-61	113530	B 12-19-62	11417C				

728950  
 1-7-65



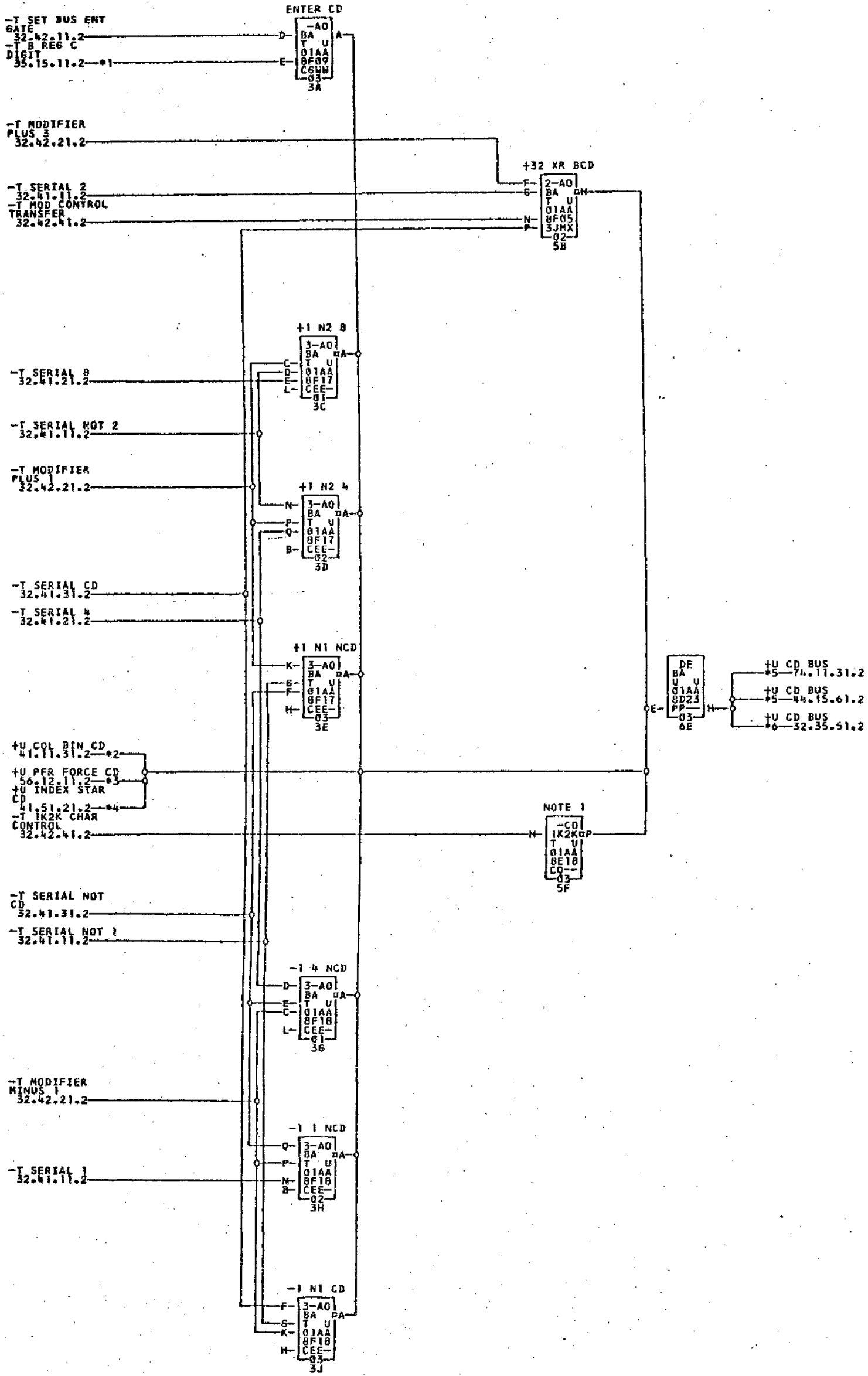
A 5.4.62  
TA 1233B  
B 25.3.63  
TA 1785



COMMENTS

TAG DATE	E.C.NO.	TAG DATE	E.C.NO.	TAG DATE	E.C.NO.	TAG DATE	E.C.NO.
A 12-16-61	113538	B 12-19-62	114177C				

728951



- \*1—01A8F248      \*2—01A8D24H      \*3—01A8E24E      \*4—01A8E24E      \*5—01A8F26B      —02A9C17A
- 02A7B26B      02B1A82B      01A8D25E      01A7B24E

NOTE 1 ADD FOR 1.4K AND 2K ONLY

TAG DATE	E.C.NO.	TAG DATE	E.C.NO.	TAG DATE	E.C.NO.	TAG DATE	E.C.NO.
A 12-18-61	113530	B 12-19-62	114177C				

728952  
1795

6728953

MODIFIER SECT. CZ BIT

1401 BA 32.63.81.2

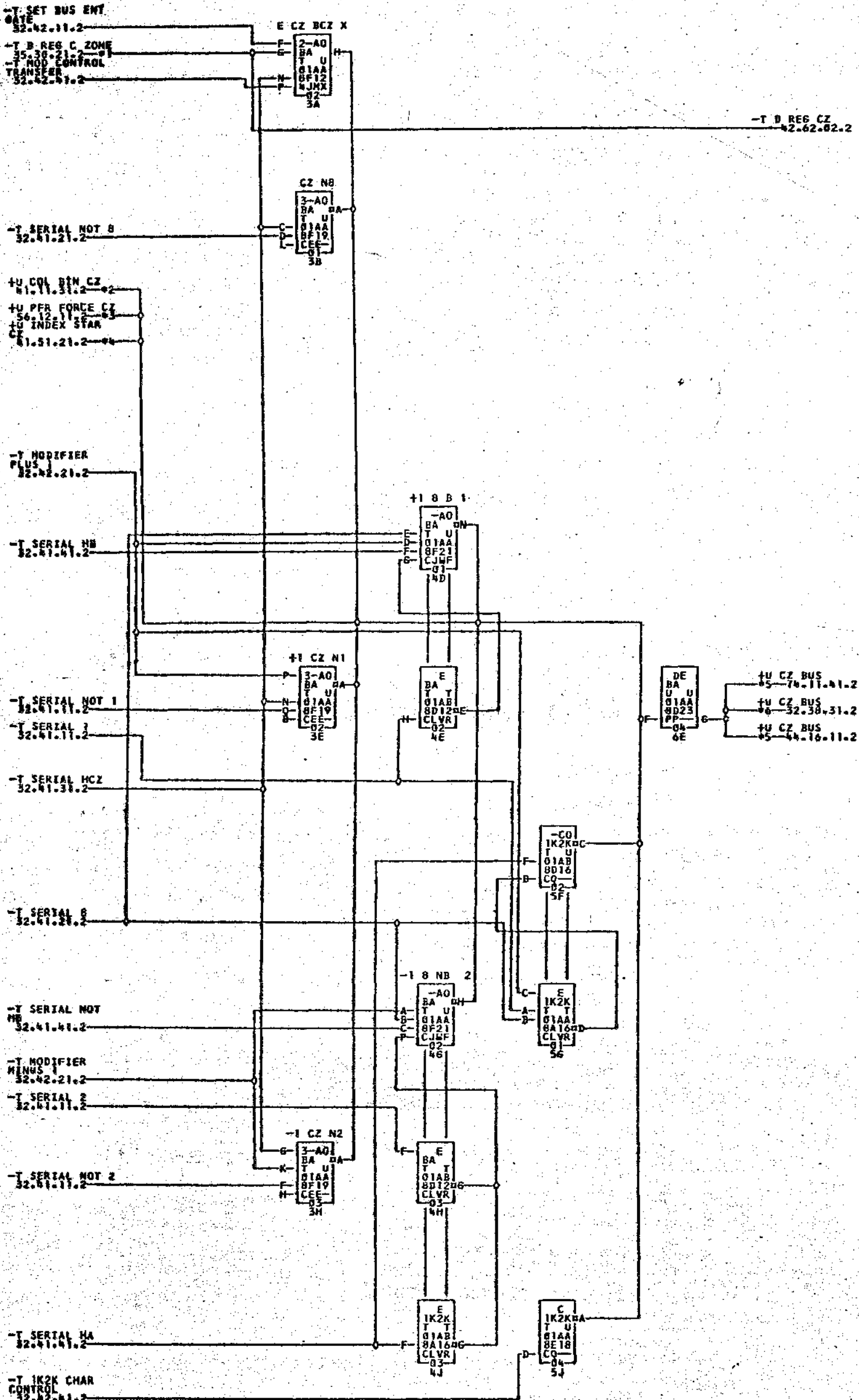
TAG DATE

A 5.4.62

TA 1233B

B 25.3.63

TA 1795

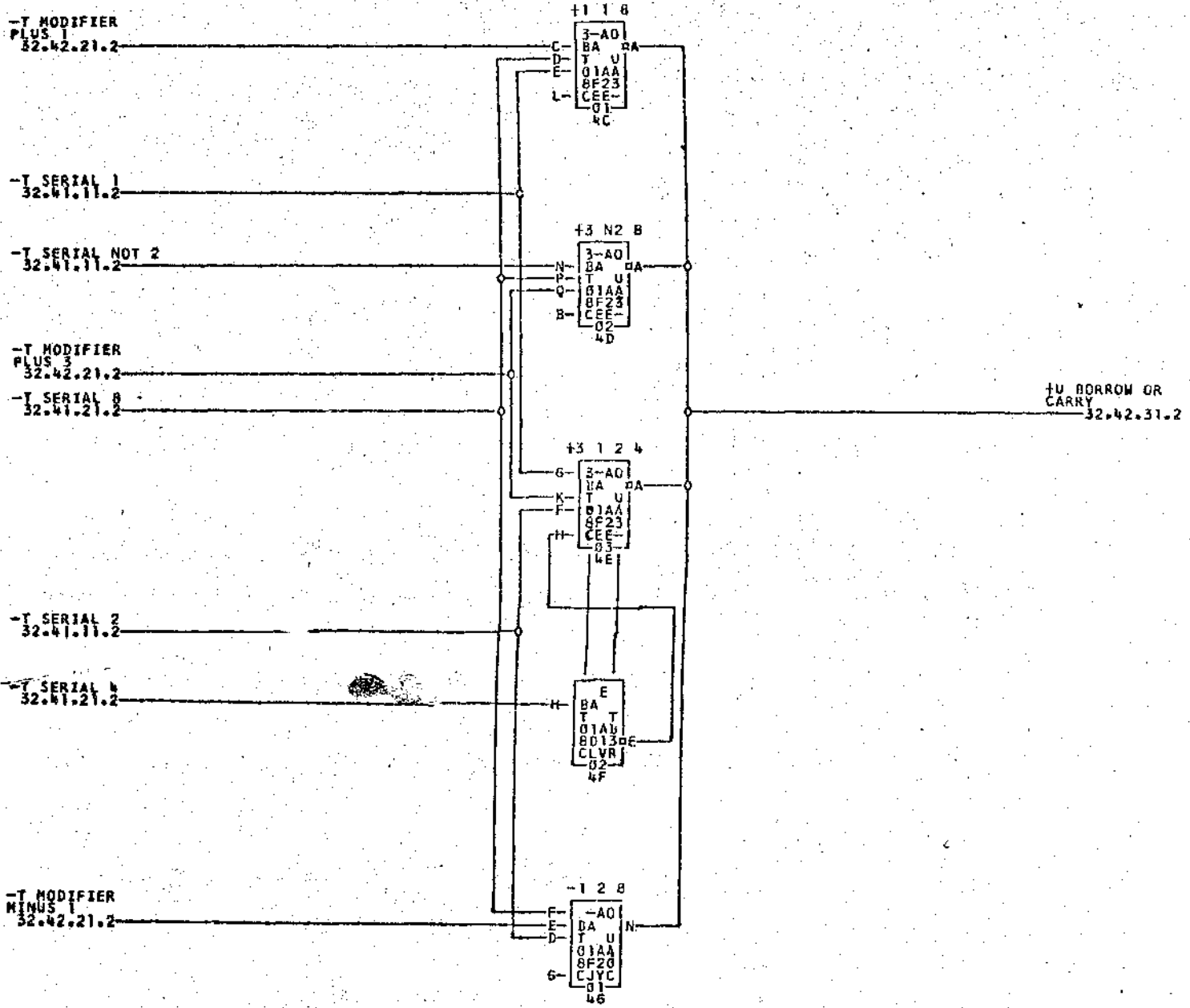


- \*1-01ABE250
- \*2-01ABD24A
- \*3-01ABE246
- \*4-01ABE26M
- \*5-01ABF26J
- 02A9D11A
- 02A7B26J
- 02B1A02J
- 01ABD25H
- 01ABE26H

COMMENTS

TAG DATE	E.C.NO.	TAG DATE	E.C.NO.	TAG DATE	E.C.NO.	TAG DATE	E.C.NO.
A 12-18-61	113538	B 12-19-62	118177				

728953  
 1795



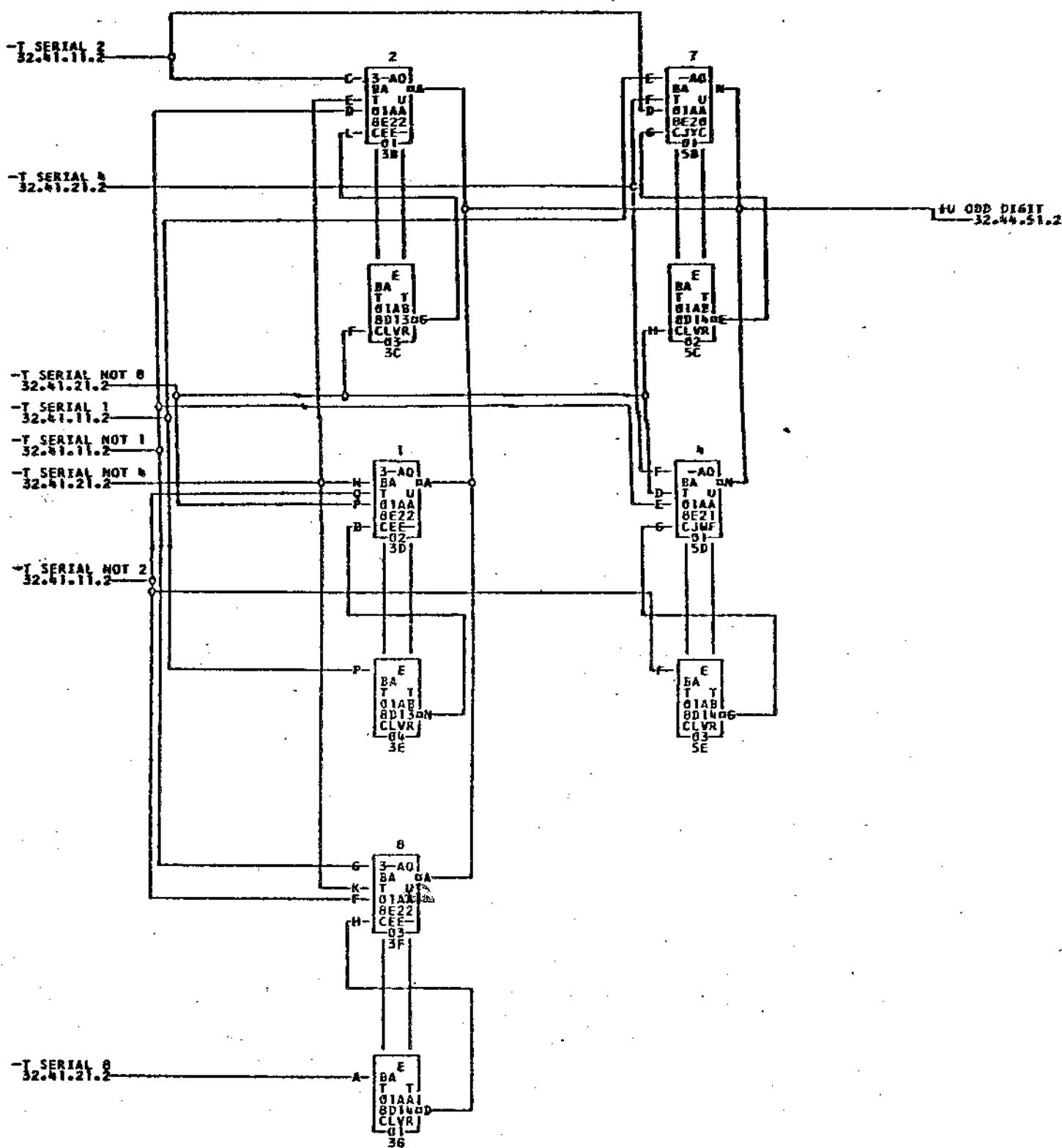
COMMENTS

TAG DATE	E.C.NO.	TAG DATE	E.C.NO.	TAG DATE	E.C.NO.	TAG DATE	E.C.NO.
A 12-18-61	113538	B 12-19-62	114177C				

728954  
1795

A 5.4.80  
TA 12433

5 25.3.63  
TA 1795  
TA 1795



728955  
1795

COMMENTS

TAG	DATE	E.C.NO.	TAG	DATE	E.C.NO.	TAG	DATE	E.C.NO.	TAG	DATE	E.C.NO.
A	12-10-61	113530	B	12-10-62	116177C						

0126956

MODIFIER EVEN DIGIT GENERATOR

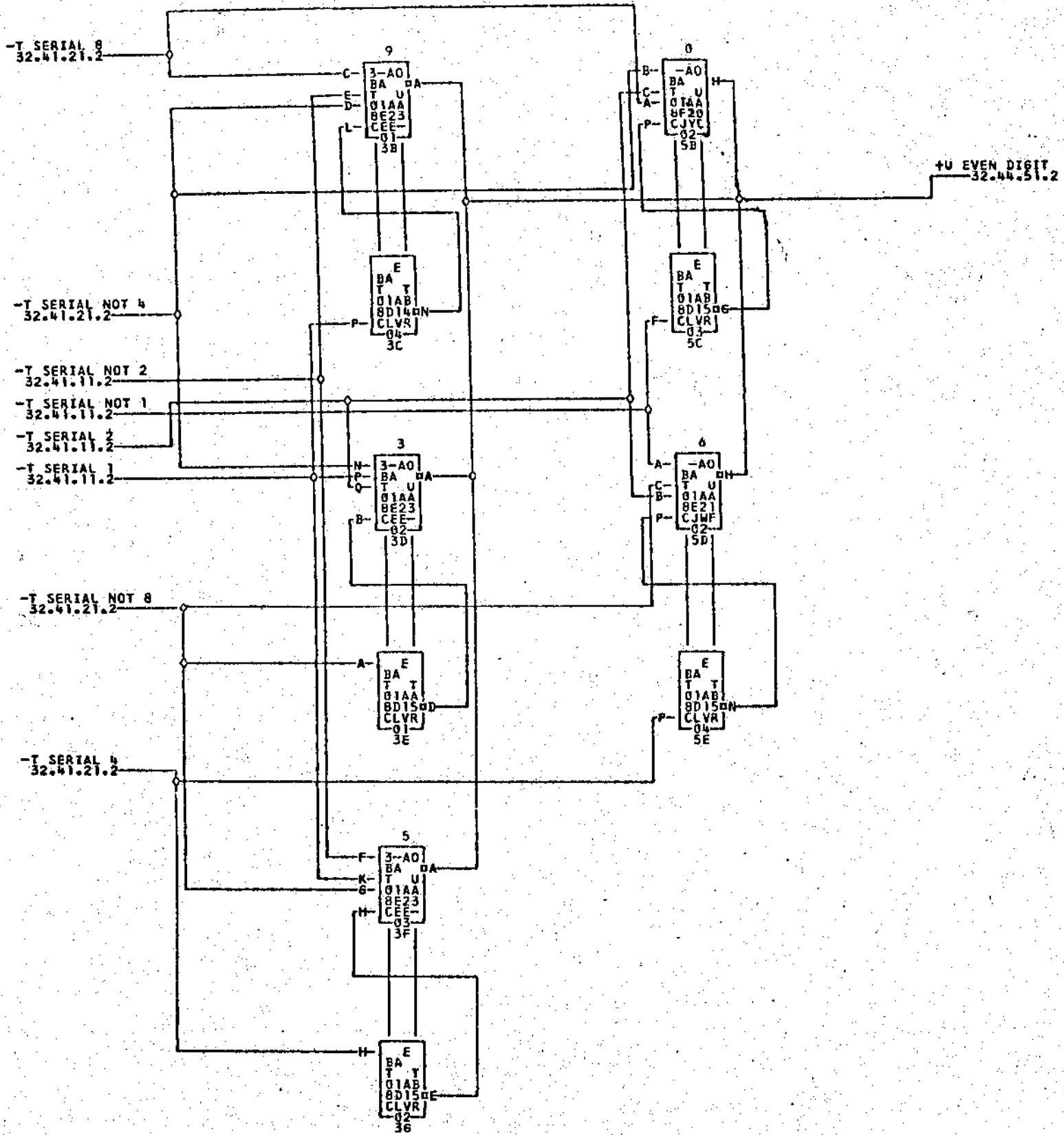
1401 BA

32.44.21.2

TAG DATE

A 6.4.62  
TA 12335

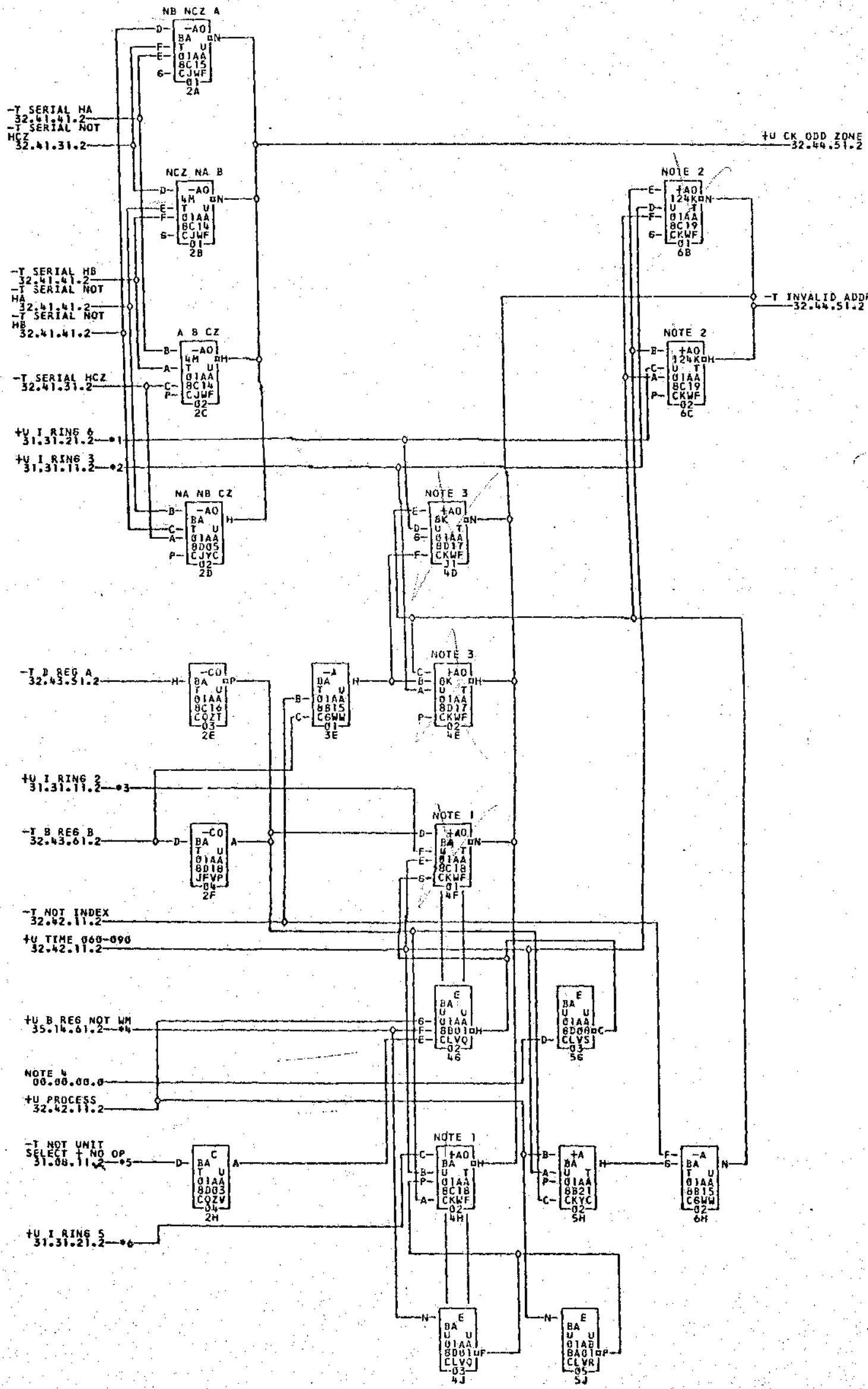
B 25.3.63  
TA 1795



COMMENTS

TAG DATE	E.C.NO.	TAG DATE	E.C.NO.	TAG DATE	E.C.NO.	TAG DATE	E.C.NO.
A 12-18-61	113536	B 12-19-62	116177c				

1795  
728956



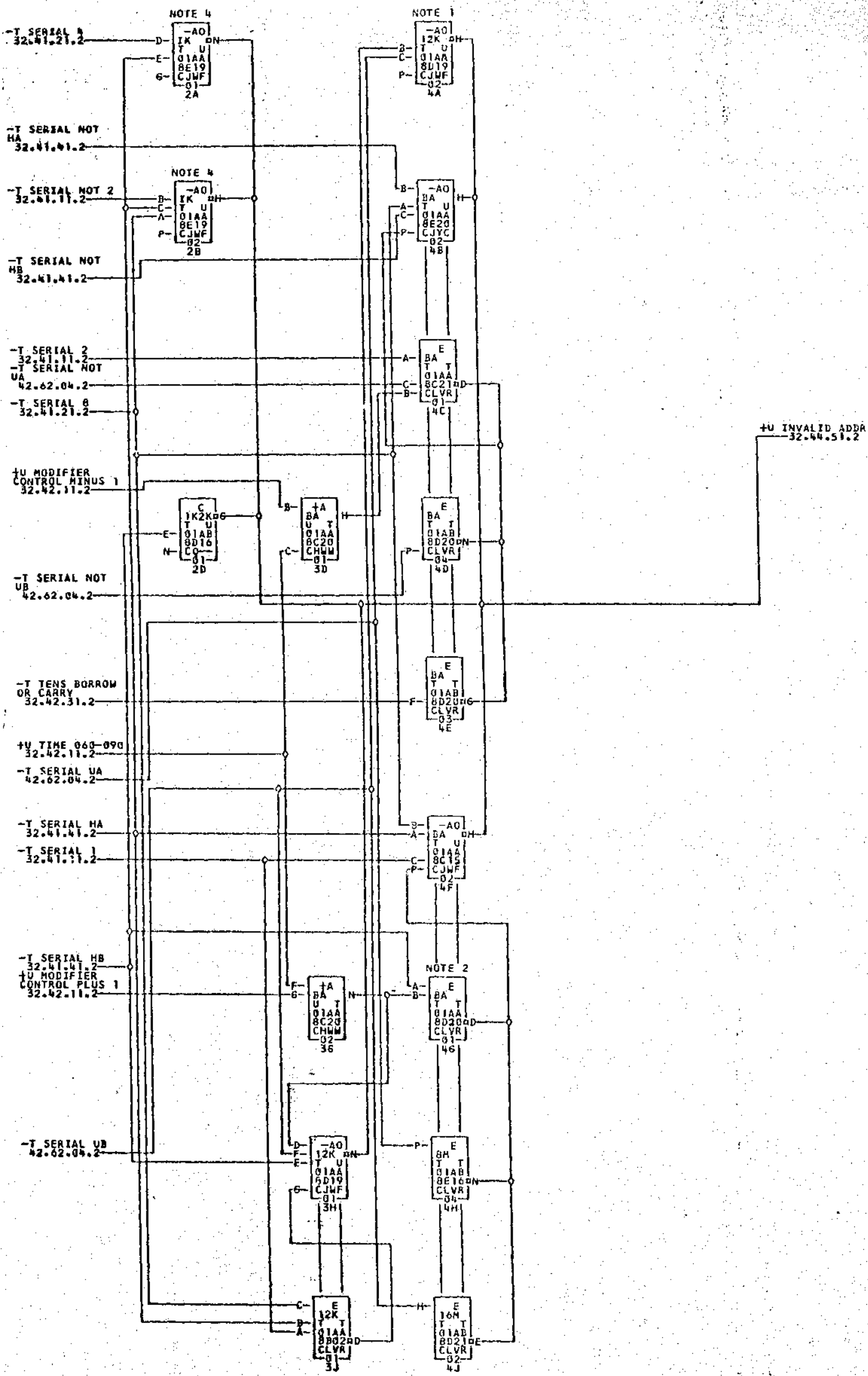
- \*1-01A8D260
- \*2-01A8D26D
- \*3-01A8D26H
- \*4-01A8A26C
- \*5-01A8D26P
- \*6-01A8D26J

728957  
 1795

COMMENTS: NOTE 1 REMOVE IF APF FEATURE IS INSTALLED; NOTE 2 ADD FOR 1.4K, 2K OR 4K ONLY; NOTE 3 ADD FOR 8K ONLY; NOTE 4 0000 TIED TO -12V ON MACHINES WITH INQ OR RAHAC W/O APF FEATURE.

TAG DATE	E.C.NO.	TAG DATE	E.C.NO.	TAG DATE	E.C.NO.
A 12-18-61	113530	3 12-19-62	114177C		

A 5.4.62  
TA 1293B  
B 25.3.63  
TA 1785



728958

COMMENTS  
NOTE 1 ADD FOR 12 ONLY  
NOTE 2 B20C TIED TO B20L ON 12K MACHINES  
NOTE 4 THIS CARD FOR 1K ONLY

TAG DATE	E.C.NO.	TAG DATE	E.C.NO.	TAG DATE	E.C.NO.	TAG DATE	E.C.NO.
A 12-18-61	113530	B 12-19-61	113177C				



0728959

ADDR REG VAL CHECK LATCH AND CTRLS

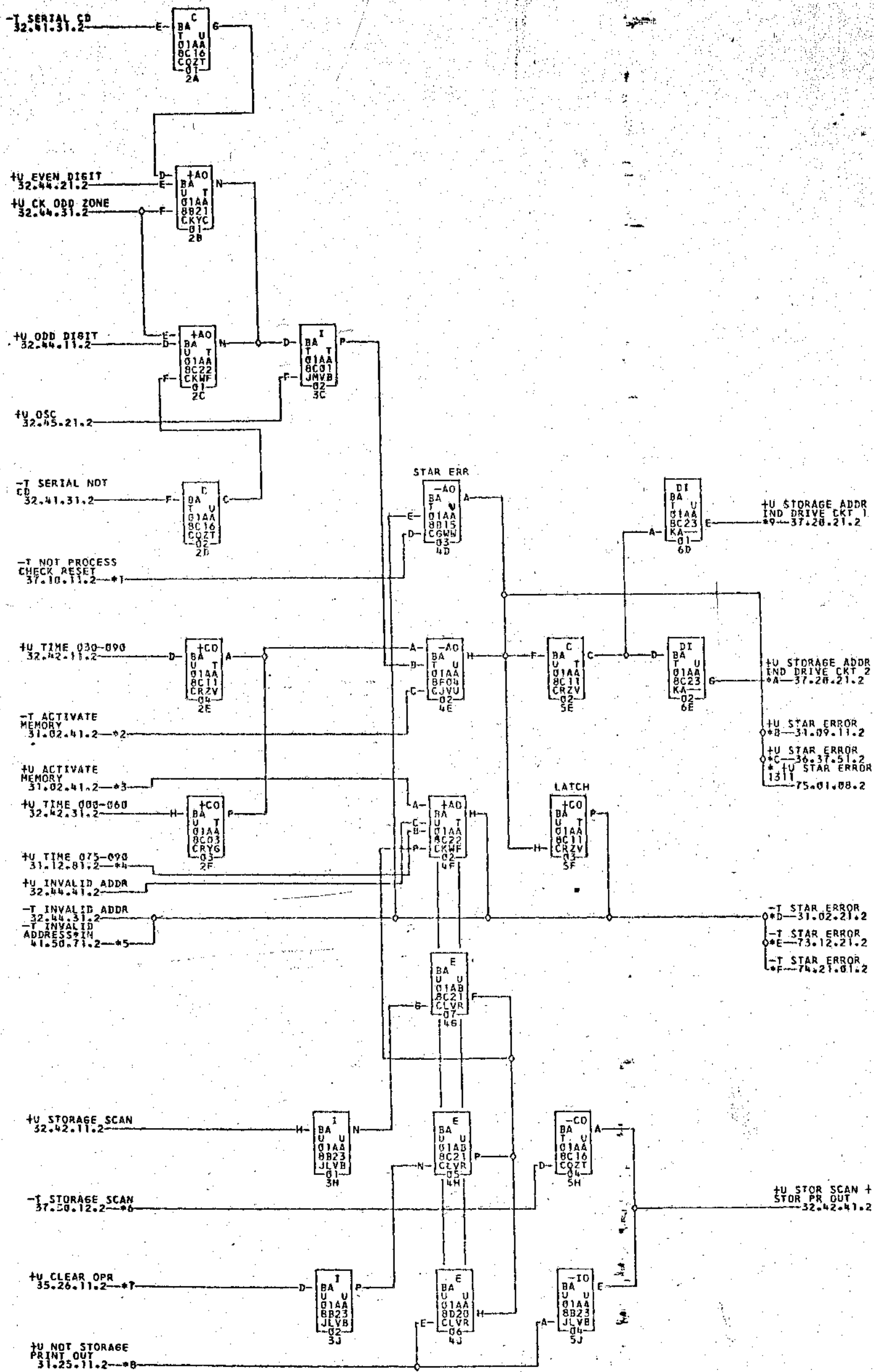
1401 BA

32.44.51.2

TAG DATE

A 5.4.62  
TA 1233B

B 25.3.63  
TA 1795



- \*1-01A8C26E      \*2-01A8E25J      \*3-01A8E25K      \*4-01A8F24R      \*5-01A8C26L      \*6-01A8C26J
- \*7-01A8E25F      \*8-01A8D26E      \*9-01A8C26B      \*A-01A2A02B      \*A-01A8C26C      \*A-01A2A02C
- \*B-01A8D266      \*B-01B2D01B      \*C-01A8C250      \*B-01A7A250      \*C-01A7C260      \*B-01B5A230
- \*D-01A8D26L      \*D-01B2D01L      \*E-01A8E26N      \*E-02A9C05E      \*D-02A2D25A      \*F-01A8A256
- \*G-02A9D13F      \*G-02B1D02A

COMMENTS: NOTE ASTERISK PRECEDING SIGNAL INDICATES DIRECT CABLE EXPANSION

TAG DATE E.C.NO. TAG DATE E.C.NO. TAG DATE E.C.NO. TAG DATE E.C.NO.

A 12-18-61 113530      B 12-19-62 114117C

1795  
728959

0728980

ADDRESS STOP INPUT SWITCHING SECT. 1

1401 BA

32.45.11.2

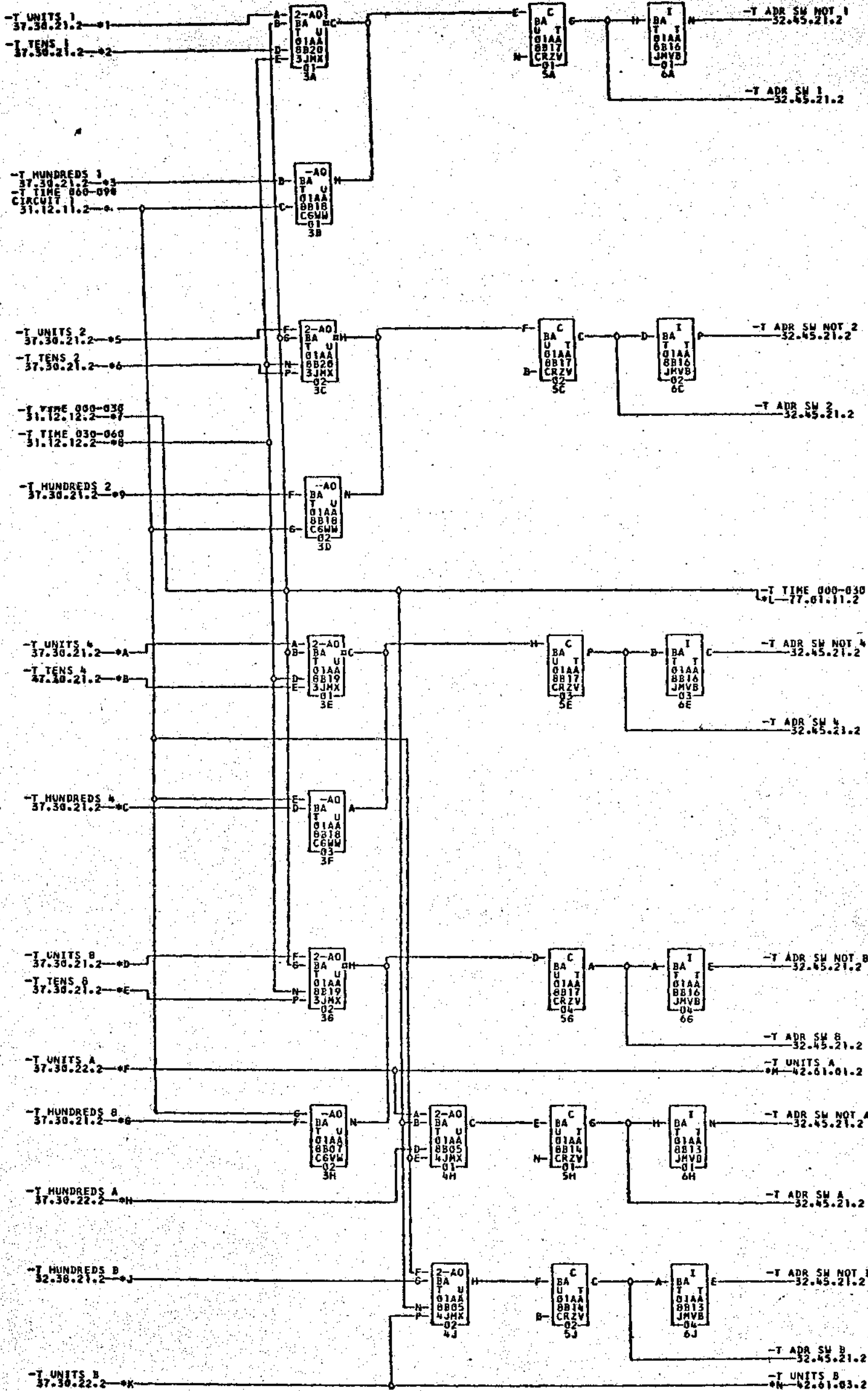
TAG DATE

A 5.4.82

TA 1233B

B 25.3.83

TA 1795

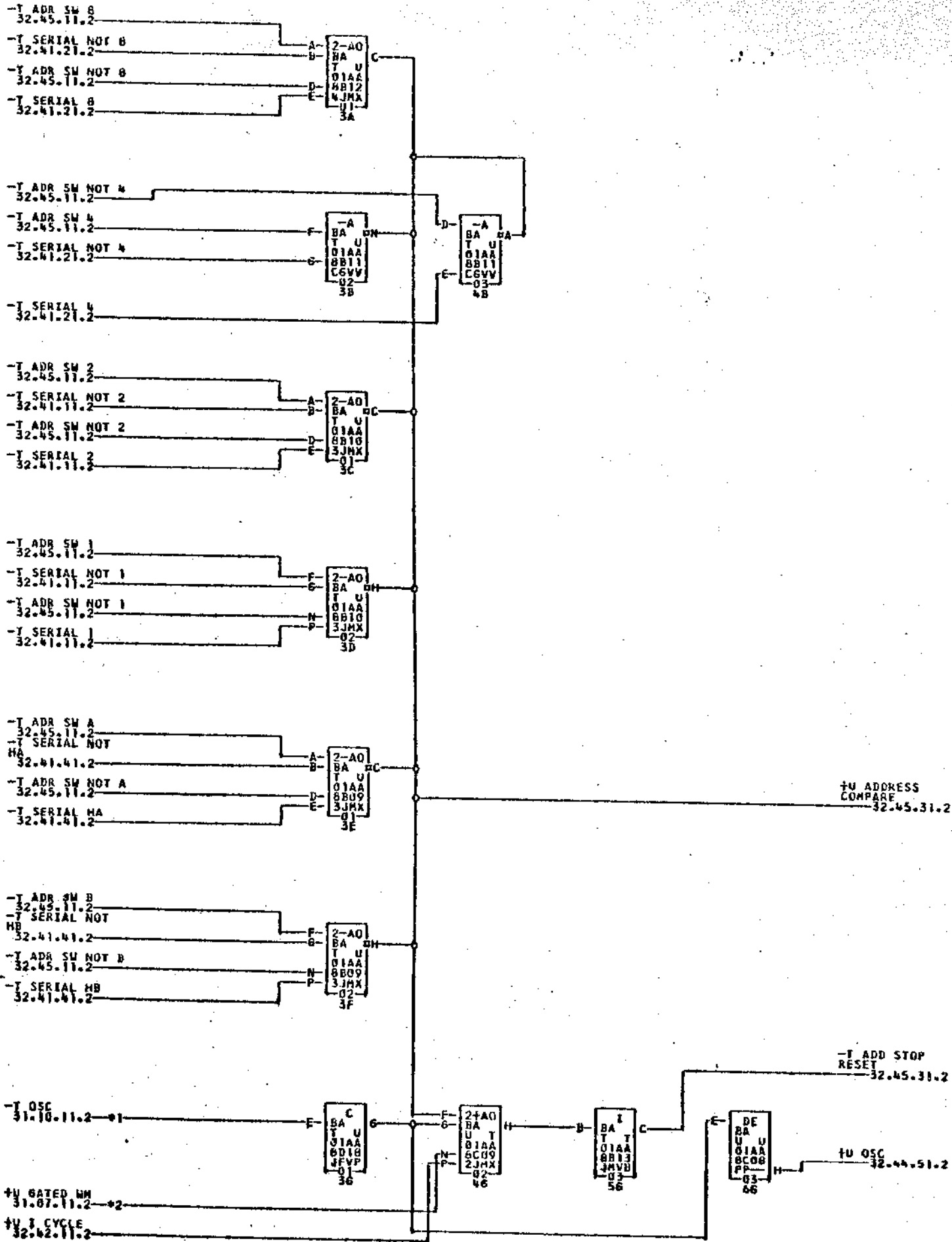


- \*1-01ABF25A      \*2-01ABF25F      \*3-01ABF25L      \*4-01ABF24K      \*5-01ABF25B      \*6-01ABF25G
- \*7-01ABF25H      \*8-01ABF24J      \*9-01ABF25M      \*A-01ABF25C      \*B-01ABF25N      \*C-01ABF25N
- \*D-01ABF25D      \*E-01ABF25J      \*F-01ABF25P      \*G-01ABF25E      \*H-01ABF25R      \*I-01ABF25M
- \*K-01ABC26P      \*L-01ABC24Q      \*M-01ABB26D      \*N-01ATE23D      \*O-01ABB26F      \*J-01ABC25N

728950  
1795

COMMENTS

TAG DATE	E.C.NO.	TAG DATE	E.C.NO.	TAG DATE	E.C.NO.	TAG DATE	E.C.NO.
A 12-18-61	113530	B 12-19-62	116177C				

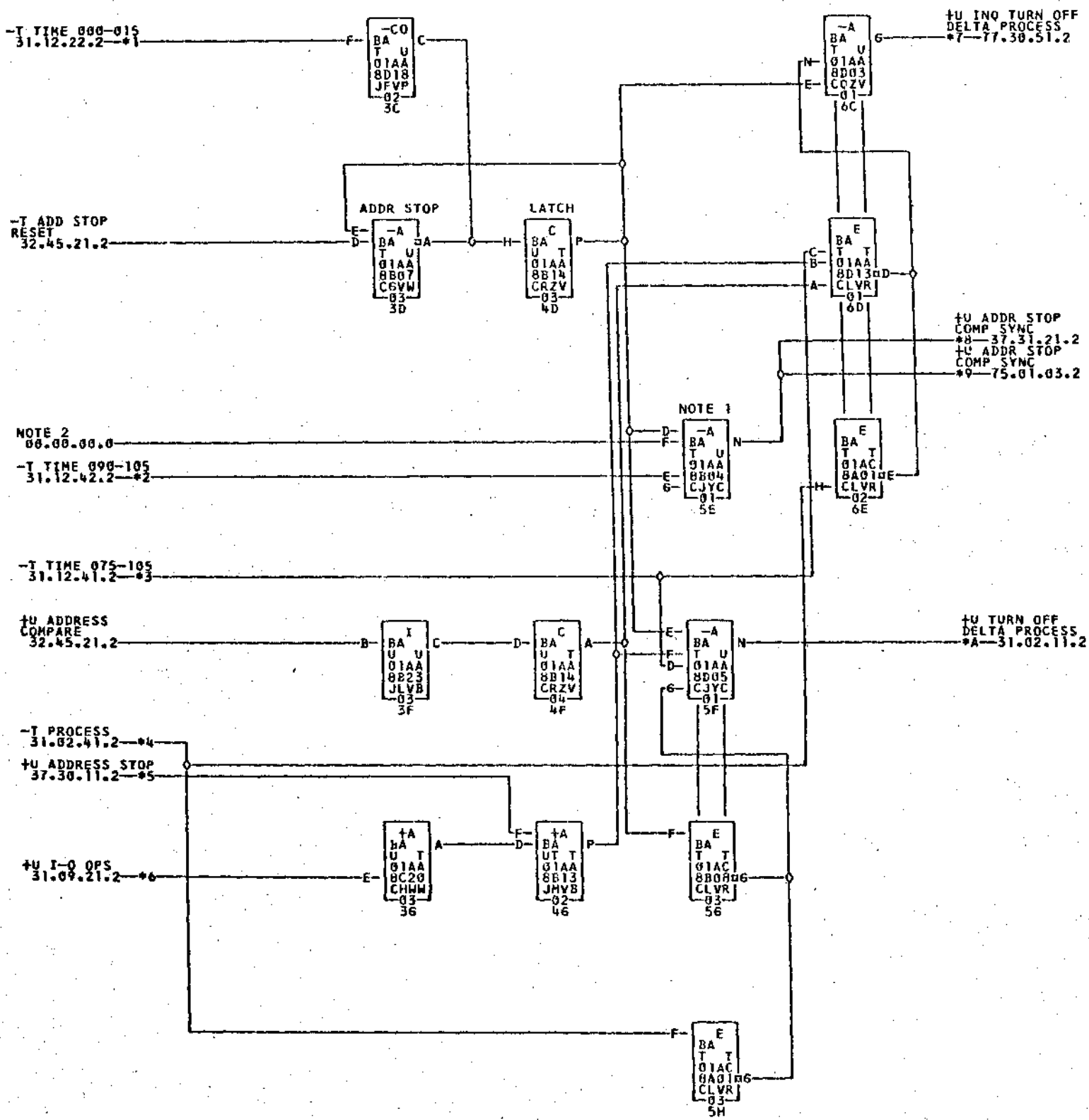


\*1-01ADE25H      \*2-01ADE25H

COMMENTS

TAG DATE	E.C.NO.	TAG DATE	E.C.NO.	TAG DATE	E.C.NO.	TAG DATE	E.C.NO.
A 12-10-61	113530	B 12-10-62	116172				

NY  
728951  
4701



- \*1-01A8F24L      \*2-01A8F24M      \*3-01A8A26M      \*4-01A8D26R      \*5-01A8C26H      \*6-01A8D26N
- \*7-01A8B26Q      \*8-01A7E230      \*9-01A7E25R      \*10-01A2A10R      \*11-01A24230      \*12-01B8A08U
- \*13-01A8B26N      \*14-01A7E23N      \*15-01A7E25L      \*16-01A2A10L      \*17-01A8D26N      \*18-01A7E23N
- \*19-01A7E24N      \*20-01A7E03N      \*21-01A1D02N      \*22-01A6A24N      \*23-01A8D24P      \*24-01B1E03P
- \*25-01B1A03P      \*26-02A0F15A      \*27-02A8E23Q      \*A-01A8D26M      \*28-01B2D01M

COMMENTS  
 NOTE1—SIGNAL AT B04N AVAILABLE AS CE  
 SCOPE SYNC POINT  
 NOTE2—CAN BE 3 INPUT SWITCH

TAG DATE	E.C.NO.	TAG DATE	E.C.NO.	TAG DATE	E.C.NO.	TAG DATE	E.C.NO.
A 12-18-61	113530	B 01-23-62	113838	C 12-19-62	114177C		

1795  
 728962

0720963

FEED THRU

1401 DA

32.46.11.2

TAG DATE

A 5.4.82  
TA 12338

B 25.3.83  
TA 1795

+U ADR REG SET  
UNITS A CALC  
44.15.71.2--\*1

+U ADR REG SET  
UNITS A CALC  
\*5-42.61.01.2

+U H1 ADDR REG  
32.42.41.2

+U H1 ADDR REG  
\*7-41.11.11.2

-T H4 ADDR REG  
32.37.31.2--\*2

-T H4 ADDR REG  
\*0-41.11.11.2

-T ADR REG SET  
HDS B CALC  
44.16.01.2--\*3

-T ADR REG SET  
HDS B CALC  
\*V-32.38.21.2

-T ADR REG SET  
HDS A CALC  
44.15.71.2--\*4

-T ADR REG SET  
HDS A CALC  
\*W-32.38.11.2

-T FULL STORAGE  
PRINT OUT  
37.31.11.2--\*5

-T FULL STORAGE  
PRINT OUT  
\*X-42.66.03.2

+U ADR REG TH8  
DISP  
42.61.03.2--\*6  
+U ADR REG SET  
UNITS B CALC  
44.16.01.2--\*7

+U ADR REG TH8  
DISP  
\*V-37.20.21.2  
+U ADR REG SET  
UNITS B CALC  
\*Z-42.61.03.2

+U ADR REG SET  
UNITS CZ CALC  
44.16.11.2--\*8  
+U ADR REG SET  
UCZ INDEX  
41.50.41.2--\*9  
+U NOT SNG CYC  
NON PROC  
37.30.11.2--\*A

+U ADR REG SET  
UNITS CZ CALC  
\*1-42.61.02.2  
  
+U NOT SNG CYC  
NON PROC  
\*2-75.01.04.2

-T UNITS CZ  
37.30.22.2--\*B

-T UNITS CZ  
\*3-42.61.02.2

-T A STAR RO UA  
42.61.01.2--\*C

-T A STAR RO UA  
\*4-41.51.11.2

-T A STAR RO UB  
42.61.03.2--\*D

-T A STAR RO UB  
\*5-41.51.11.2

-T A STAR RO  
UCZ  
42.61.02.2--\*E

-T A STAR RO  
UCZ  
\*6-41.51.11.2

-T B STAR RO UA  
42.61.01.2--\*F

-T B STAR RO UA  
\*7-41.51.11.2

-T B STAR RO UB  
42.61.03.2--\*G

-T B STAR RO UB  
\*8-41.51.11.2

+U ADR REG TH4  
DISP  
42.61.01.2--\*H

+U ADR REG TH4  
DISP  
\*9-37.20.21.2

-T B STAR RO  
UCZ  
42.61.02.2--\*J

-T B STAR RO  
UCZ  
\*A-41.51.11.2

+U B STAR RI  
UNITS Z  
41.50.61.2--\*K

+U B STAR RI  
UNITS Z  
\*B-32.33.11.2

+U A STAR RI  
UNITS\_ZONE  
32.32.11.2--\*L

+U A STAR RI  
UNITS\_ZONE  
\*C-75.01.10.2

+U A STAR GATE  
OUT CALC  
44.15.01.2--\*M

+U A STAR GATE  
OUT CALC  
\*D-32.32.21.2

+U B STAR GATE  
OUT CALC  
44.15.11.2--\*N

+U B STAR GATE  
OUT CALC  
\*E-32.33.31.2

-T B STAR RO  
HCZ  
32.30.31.2--\*P

-T B STAR RO  
HCZ  
\*F-41.51.01.2

-T B STAR GATE  
IN UNITS CALC  
44.13.31.2--\*Q

-T B STAR GATE  
IN UNITS CALC  
\*G-32.33.11.2

-T B STAR GATE  
IN TENS HUND  
44.13.31.2--\*R

-T B STAR GATE  
IN TENS HUND  
\*H-32.33.21.2

\*1-01ABF26R  
\*7-01ABF26Q  
\*D-01ABF26J  
\*K-01ABC24K  
\*R-01ABA25C  
\*X-01ABB23E  
\*U-01ABC24A  
\*A-01ABC24D  
\*G-01ABA26K

\*2-01ABD25K  
\*8-01ABF26P  
\*E-01ABR26H  
\*L-01ABA26D  
\*S-01ABD26A  
\*Y-01ABC26O  
\*V-01ABC24E  
\*B-01ABB26P  
\*H-01ABA26L

\*3-01ABF26M  
\*9-01ABE26K  
\*F-01ABB26K  
\*M-01ABA25B  
\*T-01ABD24B  
\*Z-01ABR26C  
\*6-01ABC24E  
\*C-01ABE26L

\*4-01ABF26A  
\*A-01ABA266  
\*G-01ABR26M  
\*N-01ABA25C  
\*U-01ABD24P  
\*I-01ABR268  
\*7-01ABC24B  
\*D-01ABA26H

\*5-01ABC26N  
\*B-01ABC26M  
\*H-01ABC25R  
\*P-01ABC25B  
\*Y-01ABD25M  
\*2-01ABC24R  
\*8-01ABC24F  
\*E-01ABA26J

\*6-01ABD25R  
\*C-01ABD26O  
\*J-01ABE26L  
\*O-01ABA25D  
\*U-01ABD25M  
\*3-01ABR26E  
\*9-01ABC26L  
\*F-01ABE26J

COMMENTS

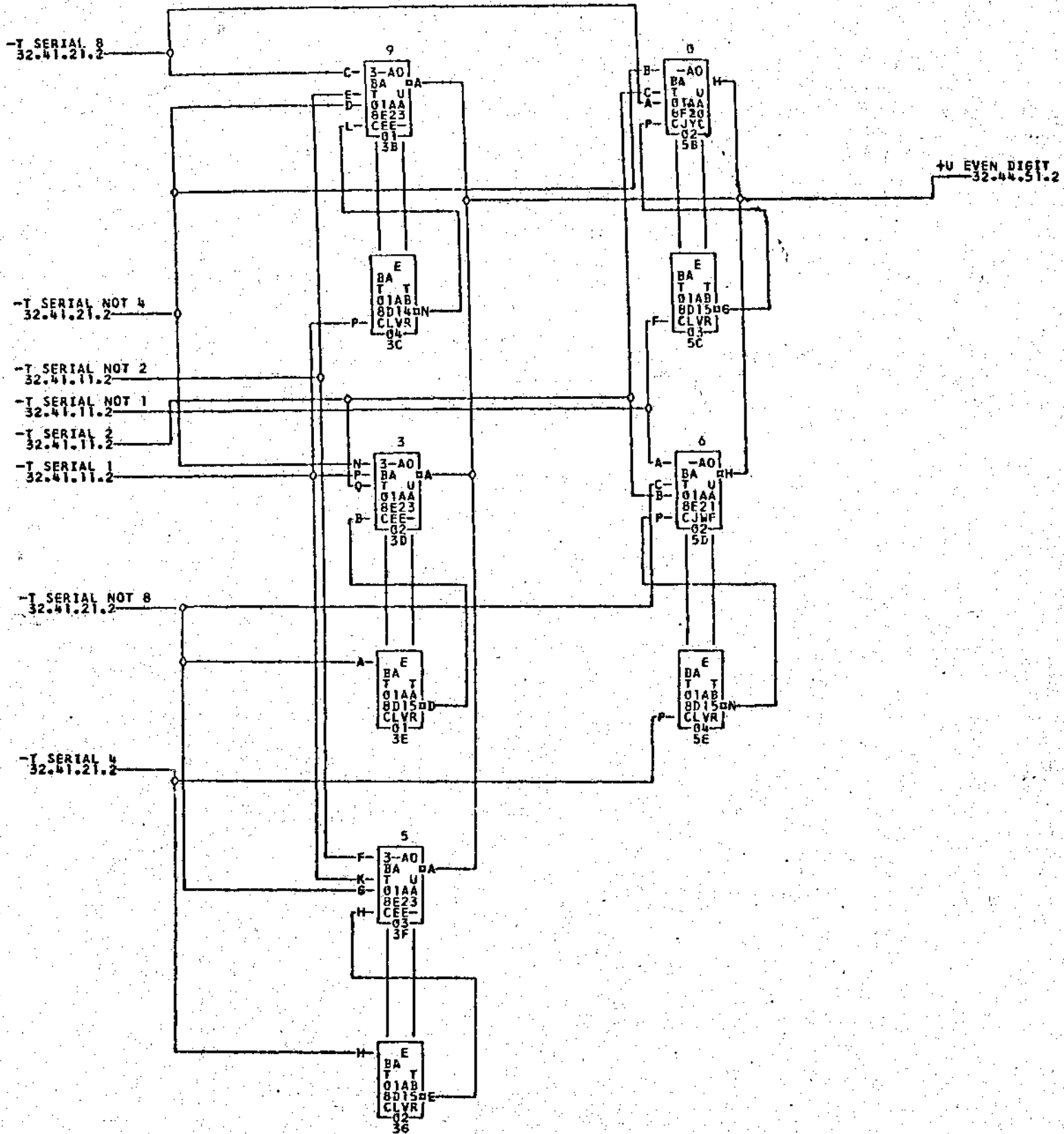
TAG DATE E.C.NO. TAG DATE E.C.NO. TAG DATE E.C.NO. TAG DATE E.C.NO.  
A 12-18-61 113530 B 12-19-62 114170

728963

1795

A 5.4.62  
TA 1233B

B 25.3.63  
TA 1785



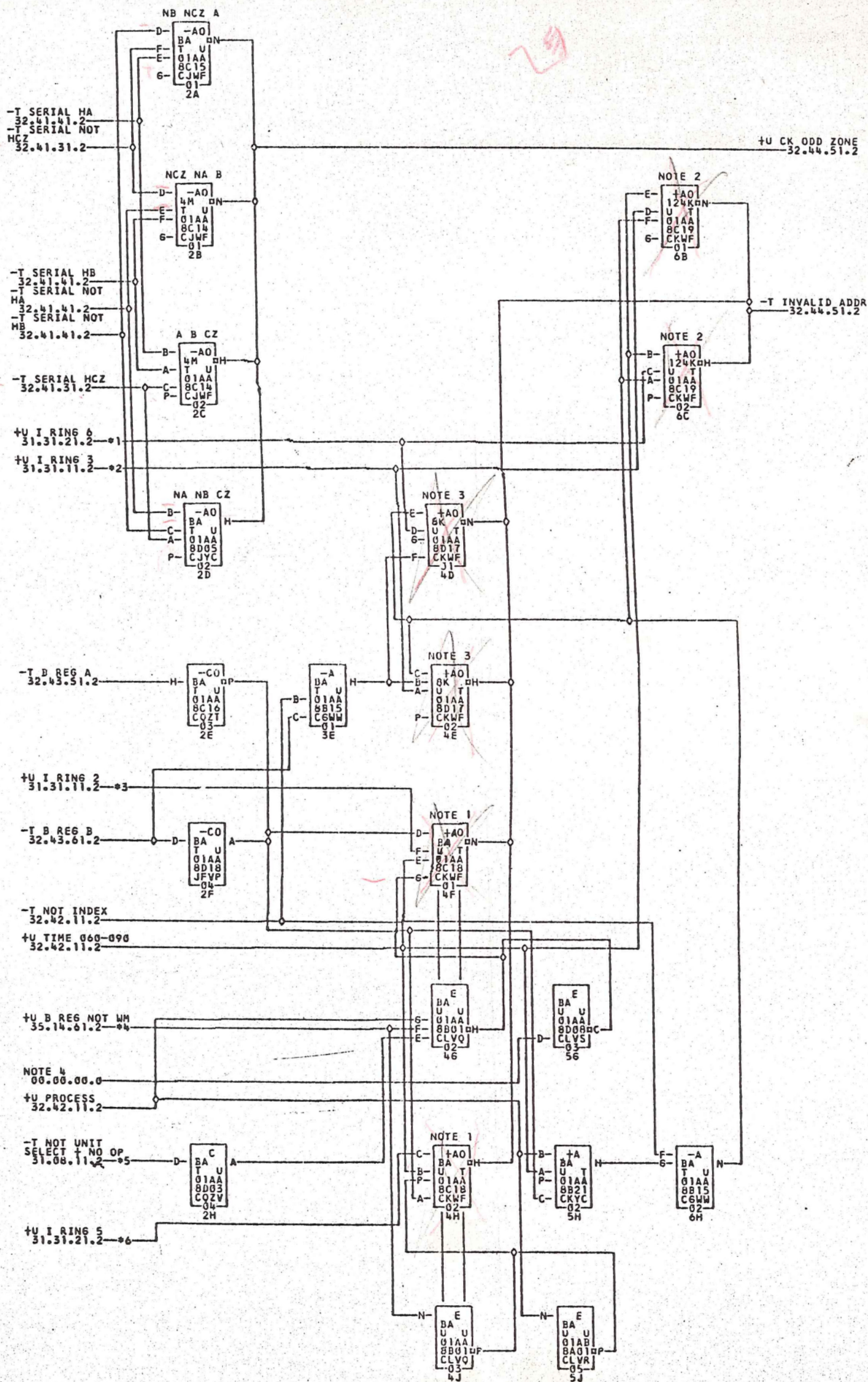
COMMENTS

TAG DATE	E.C.NO.	TAG DATE	E.C.NO.	TAG DATE	E.C.NO.	TAG DATE	E.C.NO.
A 12-18-61	113538	B 12-19-62	114177C				

1795  
728956

A 5.4.62  
TA 1233B

B 25.3.63  
TA 1795



- \*1-01A8D26Q
- \*2-01A8D26D
- \*3-01A8D26H
- \*4-01A8A26C
- \*5-01A8D26P
- \*6-01A8D26J

728957

1795

COMMENTS TAG DATE E.C.NO. TAG DATE E.C.NO. TAG DATE E.C.NO. TAG DATE E.C.NO.

NOTE1 REMOVE IF APF FEATURE IS INSTALLED A 12-18-61 113530 B 12-19-62 113177C

NOTE 2 ADD FOR 1.4K, 2K OR 4K ONLY

NOTE 3 ADD FOR 8K ONLY

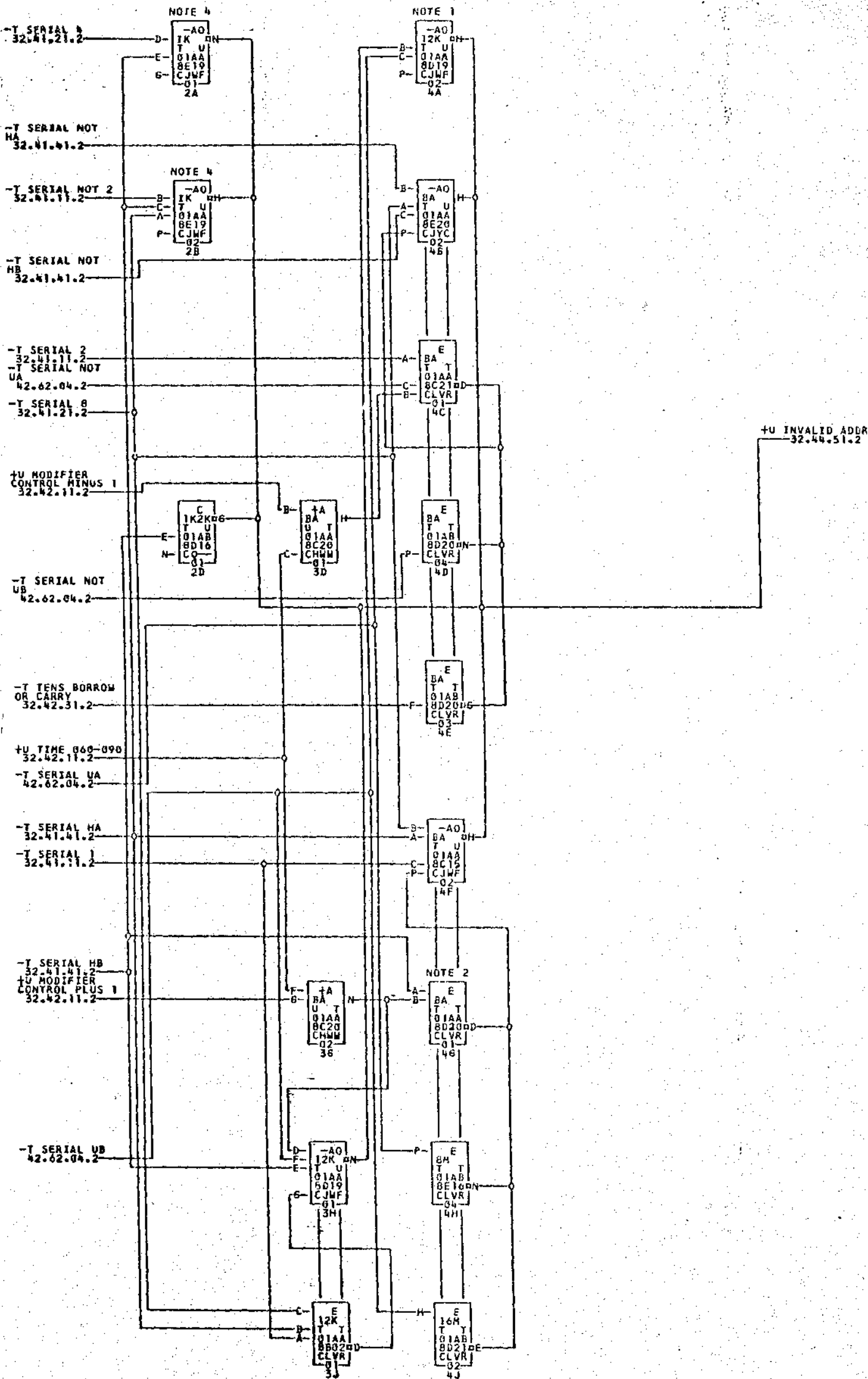
NOTE 4 DBDD TIED TO -12V ON MACHINES WITH INQ OR RAMAC W O APF FEATURE

A 5.4.82

TA 1233B

B 25.3.63

TA 1785



NOTE 1 ADD FOR COMMENTS  
 NOTE 2 820C TIED TO 820L ON 12K  
 MACHINES  
 NOTE 4 THIS CARD FOR 1K ONLY

TAG DATE E.C.NO. TAG DATE E.C.NO. TAG DATE E.C.NO. TAG DATE E.C.NO.  
 A 12-18-61 113530 B 12-19-61 114170

728958



0728959

ADDR REG VAL CHECK LATCH AND CTRLS

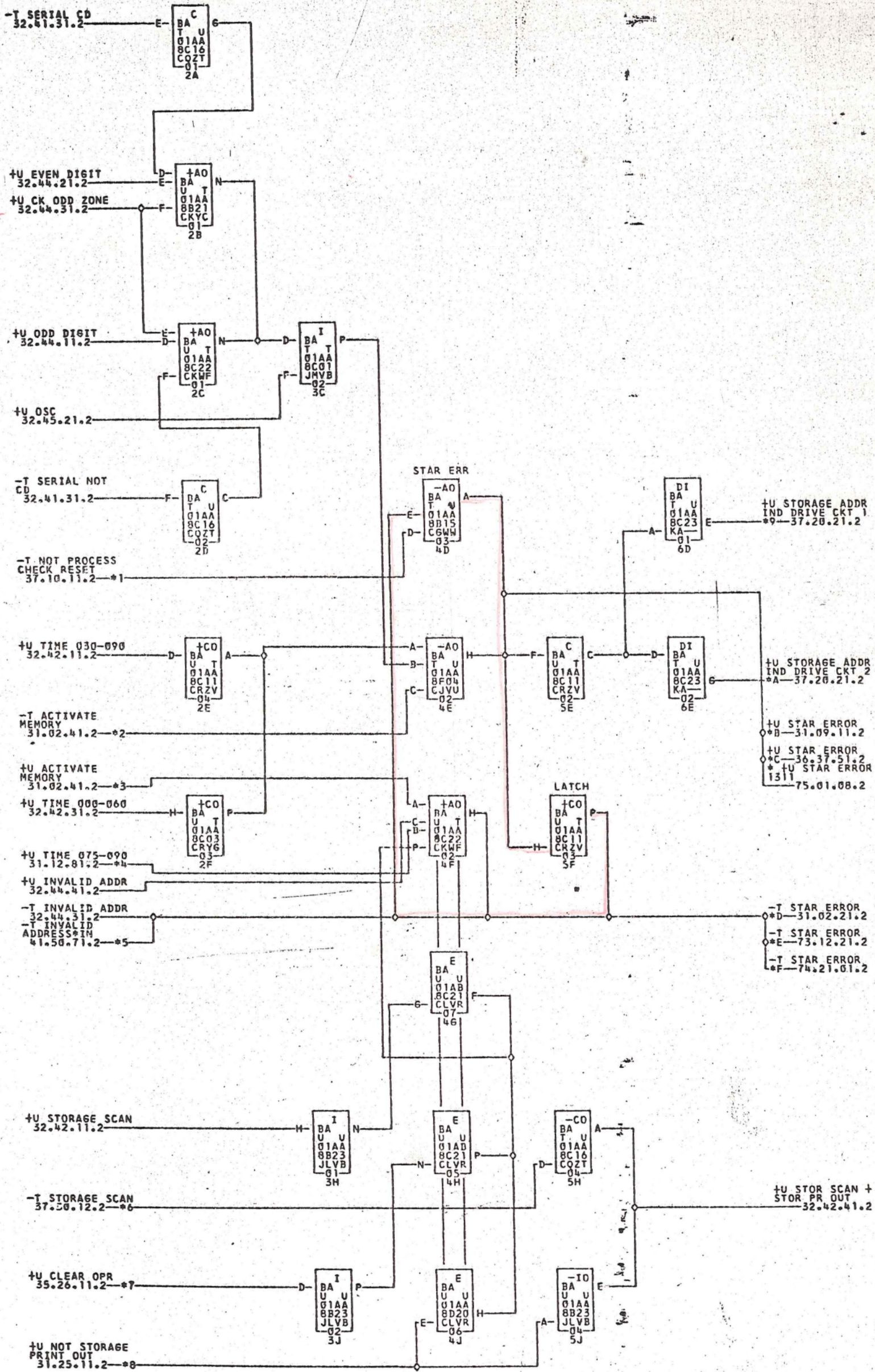
1401 BA

32.44.51.2

TAG DATE

A 5.4.62  
TA 1233B

B 25.3.63  
TA 1795



- \*1-01A8C26E      \*2-01A8E25J      \*3-01A8E25K      \*4-01A8F24R      \*5-01A8C24L      \*6-01A8C26J
- \*7-01A8E25F      \*8-01A8D26E      \*9-01A8C26B      \*A-01A8C26C      \*B-01A2A02C
- \*C-01A8D266      \*D-01B2D016      \*E-01A8C250      \*F-01A7C260      \*G-01R5A230
- \*H-01A8D26L      \*I-01B2D01L      \*J-01A8E26N      \*K-02A9C05E      \*L-02A2D25A      \*M-01A8A256
- \*N-02A9D13F      \*O-02B1D02A

NOTE ASTERISK PRECEDING SIGNAL INDICATES DIRECT CABLE EXPANSION

COMMENTS TAG DATE E.C.NO. TAG DATE E.C.NO. TAG DATE E.C.NO. TAG DATE E.C.NO.

A 12-18-61 115530 B 12-19-62 114177C

1795  
128959

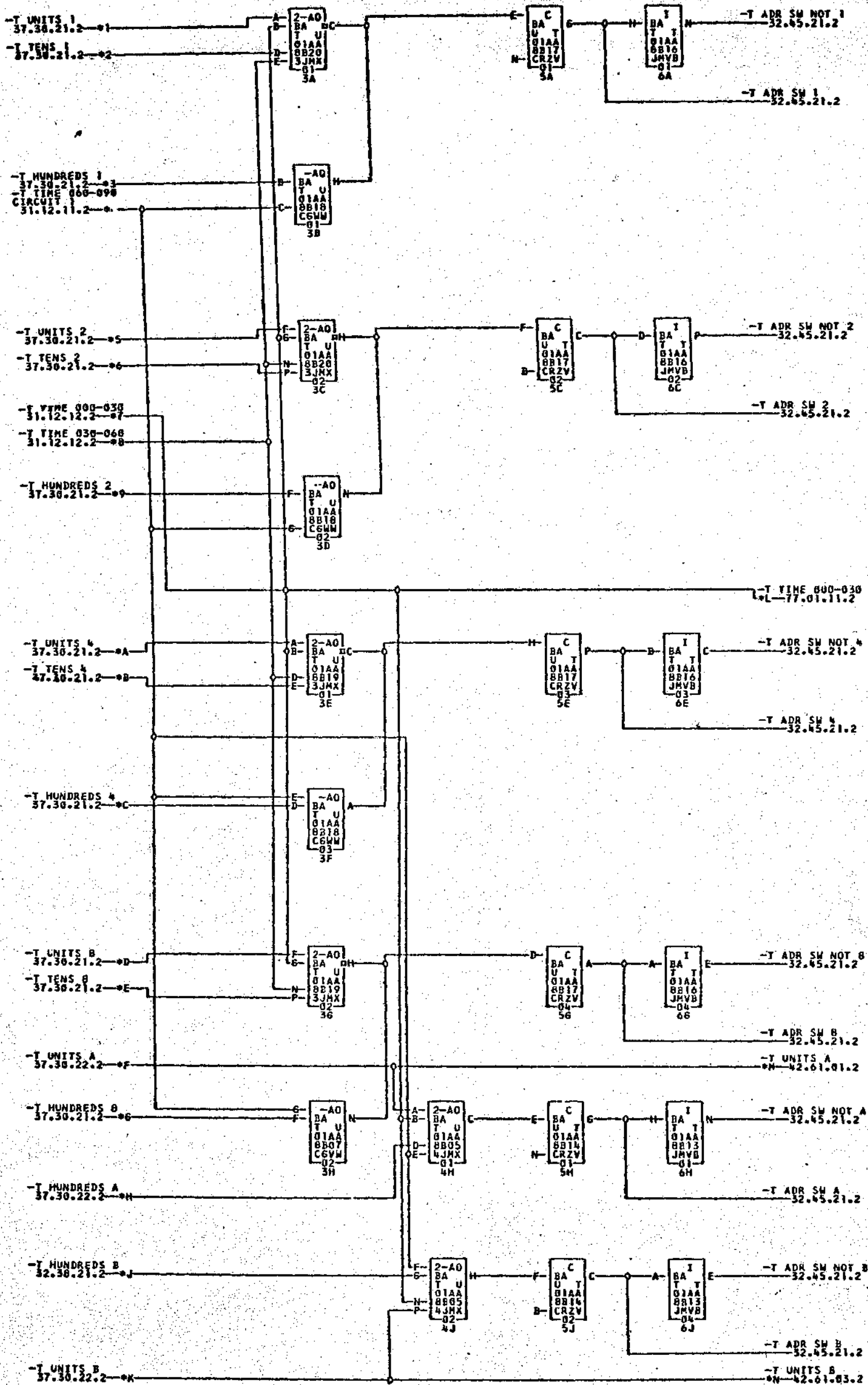
0728950

ADDRESS STOP INPUT SWITCHING SECT. 1

1401 BA 32.45.11.2

TAG DATE

A 5.4.62  
TA 1233B  
B 25.3.63  
TA 1795



- \*1-01ABF25A
- \*2-01ABF25F
- \*3-01ABF25L
- \*4-01ABF24K
- \*5-01ABF25B
- \*6-01ABF25G
- \*7-01ABF25H
- \*8-01ABF25J
- \*9-01ABF25M
- \*A-01ABF25C
- \*B-01ABF25N
- \*C-01ABF25P
- \*D-01ABF25D
- \*E-01ABF25J
- \*F-01ABF25K
- \*G-01ABF25M
- \*H-01ABF25P
- \*I-01ABF25L
- \*J-01ABF25N
- \*K-01ABF25P
- \*L-01ABF25Q
- \*M-01ABF25R
- \*N-01ABF25S
- \*O-01ABF25T
- \*P-01ABF25U
- \*Q-01ABF25V
- \*R-01ABF25W
- \*S-01ABF25X
- \*T-01ABF25Y
- \*U-01ABF25Z
- \*V-01ABF25A
- \*W-01ABF25B
- \*X-01ABF25C
- \*Y-01ABF25D
- \*Z-01ABF25E

728950  
1795

COMMENTS

TAG DATE	E.C.NO.	TAG DATE	E.C.NO.	TAG DATE	E.C.NO.	TAG DATE	E.C.NO.
A 12-18-61	113530	B 12-19-62	116177C				

-T ADR SW B  
32.45.11.2

-T SERIAL NOT B  
32.41.21.2

-T ADR SW NOT B  
32.45.11.2

-T SERIAL B  
32.41.21.2

-T ADR SW NOT 4  
32.45.11.2

-T ADR SW 4  
32.45.11.2

-T SERIAL NOT 4  
32.41.21.2

-T SERIAL 4  
32.41.21.2

-T ADR SW 2  
32.45.11.2

-T SERIAL NOT 2  
32.41.11.2

-T ADR SW NOT 2  
32.45.11.2

-T SERIAL 2  
32.41.11.2

-T ADR SW 1  
32.45.11.2

-T SERIAL NOT 1  
32.41.11.2

-T ADR SW NOT 1  
32.45.11.2

-T SERIAL 1  
32.41.11.2

-T ADR SW A  
32.45.11.2

-T SERIAL NOT  
32.41.41.2

-T ADR SW NOT A  
32.45.11.2

-T SERIAL NA  
32.41.41.2

-T ADR SW B  
32.45.11.2

-T SERIAL NOT  
32.41.41.2

-T ADR SW NOT B  
32.45.11.2

-T SERIAL NB  
32.41.41.2

-T OSC  
31.18.11.2

+V GATED WM  
31.07.11.2

+V 1 CYCLE  
32.42.11.2

+V ADDRESS  
COMPARE  
32.45.31.2

-T ADD STOP  
RESET  
32.45.31.2

+V OSC  
32.44.51.2

A 5.4.62  
TA 12388  
B 26.3.63  
TA 1795

\*1-01A8E25H

\*2-01A8E25H

728931

COMMENTS

TAG DATE	E.C.NO.	TAG DATE	E.C.NO.	TAG DATE	E.C.NO.	TAG DATE	E.C.NO.
A 12-18-61	115530	B 12-19-62	114172				

0728962

ADDRESS STOP CONTROL SECT. 2

1401 BA

32.45.31.2

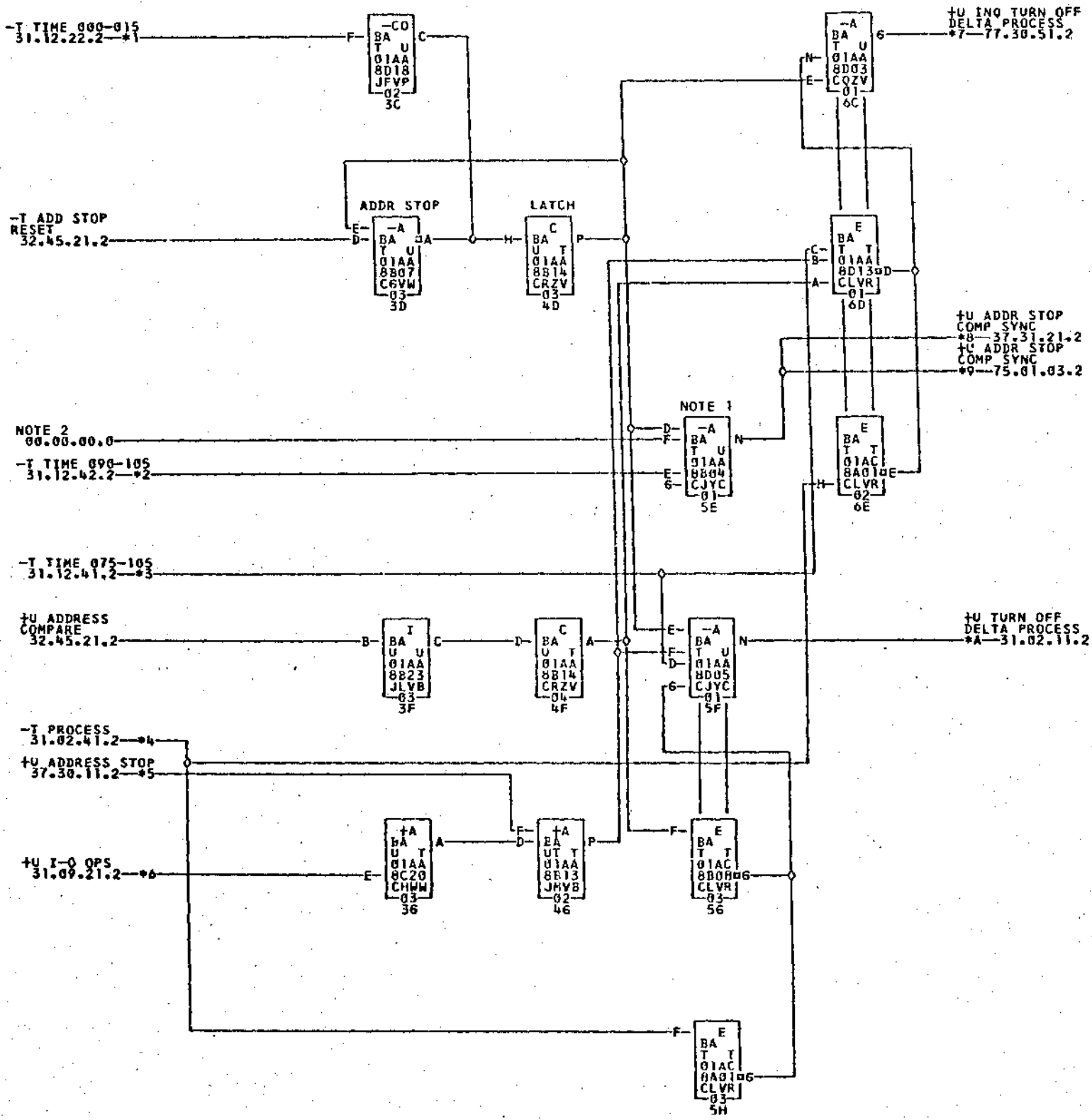
TAG DATE

28 26.4.62

TA 1233D

C 25.31.63

TA 1795



NOTE 2  
00.00.00.0

-T TIME 090-105  
31.12.42.2 \*2

-T TIME 075-105  
31.12.41.2 \*3

+U ADDRESS COMPARE  
32.45.21.2

-T PROCESS  
31.02.41.2 \*4

+U ADDRESS STOP  
37.30.11.2 \*5

+U I-O OPS  
31.09.21.2 \*6

- |             |             |             |             |             |             |
|-------------|-------------|-------------|-------------|-------------|-------------|
| *1—01A8F24L | *2—01A8F24M | *3—01A8A26M | *4—01A8D26R | *5—01A6C26H | *6—01A8D26N |
| *7—01A8B26O | ——01A7E23O  | ——01A7E25R  | ——01A2A10R  | ——01A2A23Q  | ——01B8A08U  |
| *8—01A8B26N | ——01A7E23N  | ——01A7E25L  | ——01A2A10L  | *9—01A8B26N | ——01A7E23N  |
| ——01A7E24N  | ——01A1E03N  | ——01A1D02N  | ——01A6A24N  | ——01A6D24P  | ——01B1E03P  |
| ——01B1A03P  | ——02A0F15A  | ——02A8E23Q  | *A—01A8D26M | ——01B2D01M  |             |

NOTE 1—SIGNAL AT B04N AVAILABLE AS CE SCOPE SYNC POINT  
 NOTE 2—CAN BE 3 INPUT SWITCH

TAG DATE	E.C.NO.	TAG DATE	E.C.NO.	TAG DATE	E.C.NO.	TAG DATE	E.C.NO.
A 12-18-61	113530	B 01-23-62	113630	C 12-19-62	114177C		

728962  
1795

0728963

FEED THRU

1401 BA

32.46.11.2

TAG DATE

A 5.4.62  
TA 1233B

B 25.3.63  
TA 1796

+U ADR REG SET UNITS A CALC 44.15.71.2--*1	+U ADR REG SET UNITS A CALC *5-42.61.01.2
+U HI ADDR REG 32.42.41.2	+U HI ADDR REG *T-41.11.11.2
-T H4 ADDR REG 32.37.31.2--*2	-T H4 ADDR REG *U-41.11.11.2
-T ADDR REG SET HDS B CALC 44.16.01.2--*3	-T ADDR REG SET HDS B CALC *V-32.38.21.2
-T ADR REG SET HDS A CALC 44.15.71.2--*4	-T ADR REG SET HDS A CALC *W-32.38.11.2
-T FULL STORAGE PRINT OUT 37.31.11.2--*5	-T FULL STORAGE PRINT OUT *X-42.66.03.2
+U ADDR REG TH8 DISP 42.61.03.2--*6 +U ADR REG SET UNITS B CALC 44.16.01.2--*7	+U ADDR REG TH8 DISP *Y-37.20.21.2 +U ADR REG SET UNITS B CALC *Z-42.61.03.2
+U ADR REG SET UNITS CZ CALC 44.16.11.2--*8 +U ADR REG SET VCZ INDEX 41.50.41.2--*9 +U NOT SNG CYC NON PROC 37.30.11.2--*A	+U ADR REG SET UNITS CZ CALC *B-42.61.02.2  +U NOT SNG CYC NON PROC *2-75.01.04.2
-T UNITS CZ 37.30.22.2--*B	-T UNITS CZ *3-42.61.02.2
-T A STAR RO UA 42.61.01.2--*C	-T A STAR RO UA *4-41.51.11.2
-T A STAR RO UB 42.61.03.2--*D	-T A STAR RO UB *5-41.51.11.2
-T A STAR RO UCZ 42.61.02.2--*E	-T A STAR RO UCZ *6-41.51.11.2
-T B STAR RO UA 42.61.01.2--*F	-T B STAR RO UA *7-41.51.11.2
-T B STAR RO UB 42.61.03.2--*G +U ADDR REG TH8 DISP 42.61.01.2--*H	-T B STAR RO UB *8-41.51.11.2 +U ADDR REG TH8 DISP *9-37.20.21.2
-T B STAR RO UCZ 42.61.02.2--*J	-T B STAR RO UCZ *A-41.51.11.2
+U B STAR RI UNITS Z 41.50.61.2--*K	+U B STAR RI UNITS Z *B-32.33.11.2
+U A STAR RI UNITS ZONE 32.32.11.2--*L	+U A STAR RI UNITS ZONE *C-75.01.10.2
+U A STAR GATE OUT CALC 44.15.01.2--*M	+U A STAR GATE OUT CALC *D-32.32.21.2
+U B STAR GATE OUT CALC 44.15.11.2--*N	+U B STAR GATE OUT CALC *E-32.33.31.2
-T B STAR RO HCZ 32.38.31.2--*P	-T B STAR RO HCZ *F-41.51.01.2
-T B STAR GATE IN UNITS CALC 44.13.31.2--*Q	-T B STAR GATE IN UNITS CALC *G-32.33.11.2
-T B STAR GATE IN TENS HUND 44.13.31.2--*R	-T B STAR GATE IN TENS HUND *H-32.33.21.2

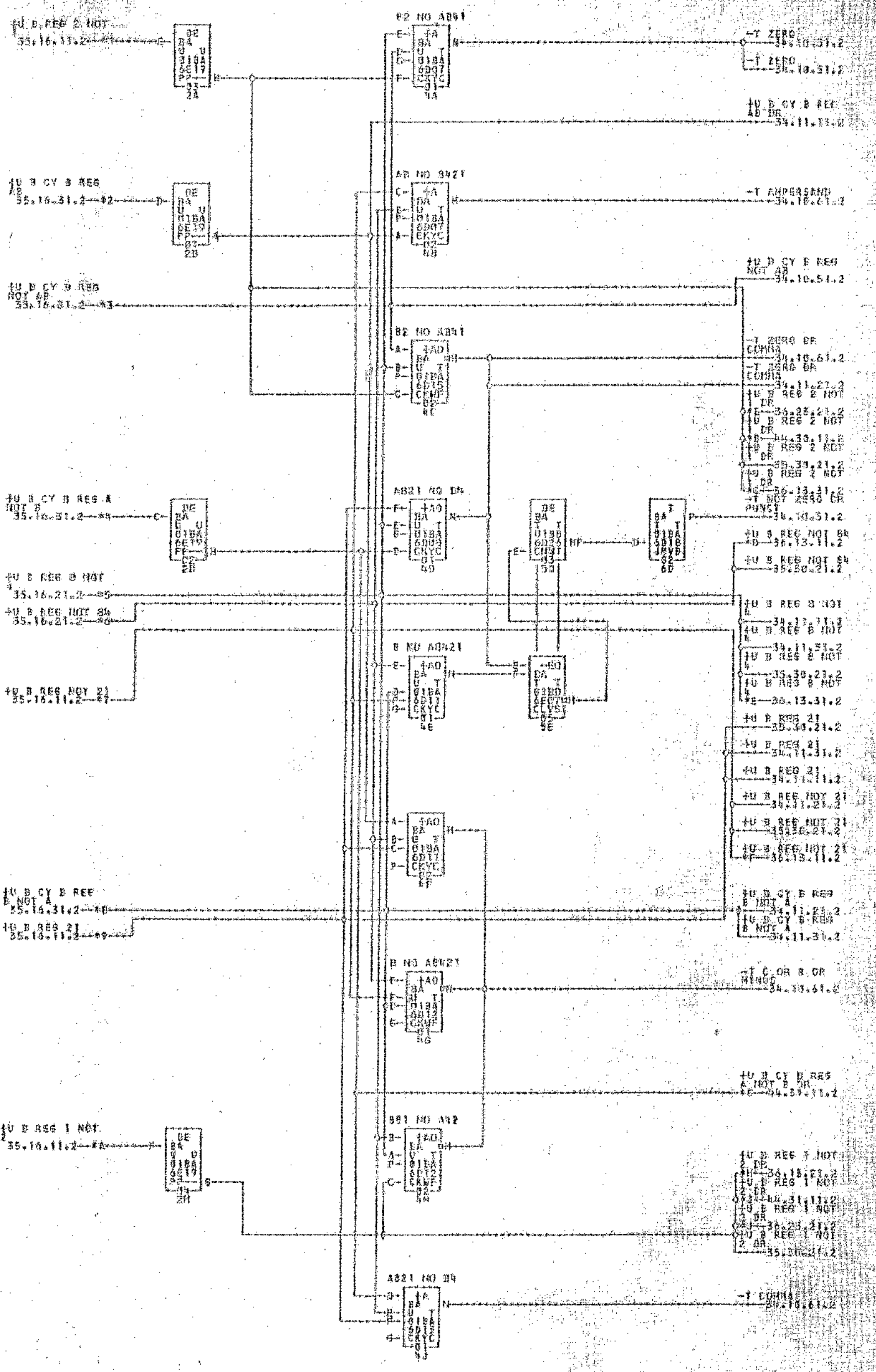
*1-01ABF26R	*2-01ABD25K	*3-01ABF26H	*4-01ABF26A	*5-01ABC26N	*6-01ABD25R
*7-01ABF26Q	*8-01ABF26P	*9-01ABE26K	*A-01ABA26G	*B-01ABC26M	*C-01ABD26B
*D-01ABB26J	*E-01ABB26H	*F-01ABB26K	*G-01ABH26M	*H-01ABC25B	*I-01ABE26L
*K-01ABC26N	*L-01ABA26D	*M-01ABA25B	*N-01ABA25C	*O-01ABC25B	*P-01ABA26D
*R-01ABA25E	*S-01ABB26A	*T-01ABD26B	*U-01ABD26F	*V-01ABC25B	*Q-01ABD25M
*X-01ABD25E	*Y-01ABC26Q	*Z-01ABB26C	*1-01ABH26B	*2-01ABC26F	*3-01ABD26E
*4-01ABC26A	*5-01ABC26E	*6-01ABC26L	*7-01ABC26B	*8-01ABC26F	*9-01ABC26L
*8-01ABC24A	*9-01ABC24E	*0-01ABE26L	*D-01ABA26H	*E-01ABA26J	*F-01ABE26J
*0-01ABC24D	*1-01ABB26P				
*1-01ABA26K	*2-01ABA26L				

COMMENTS

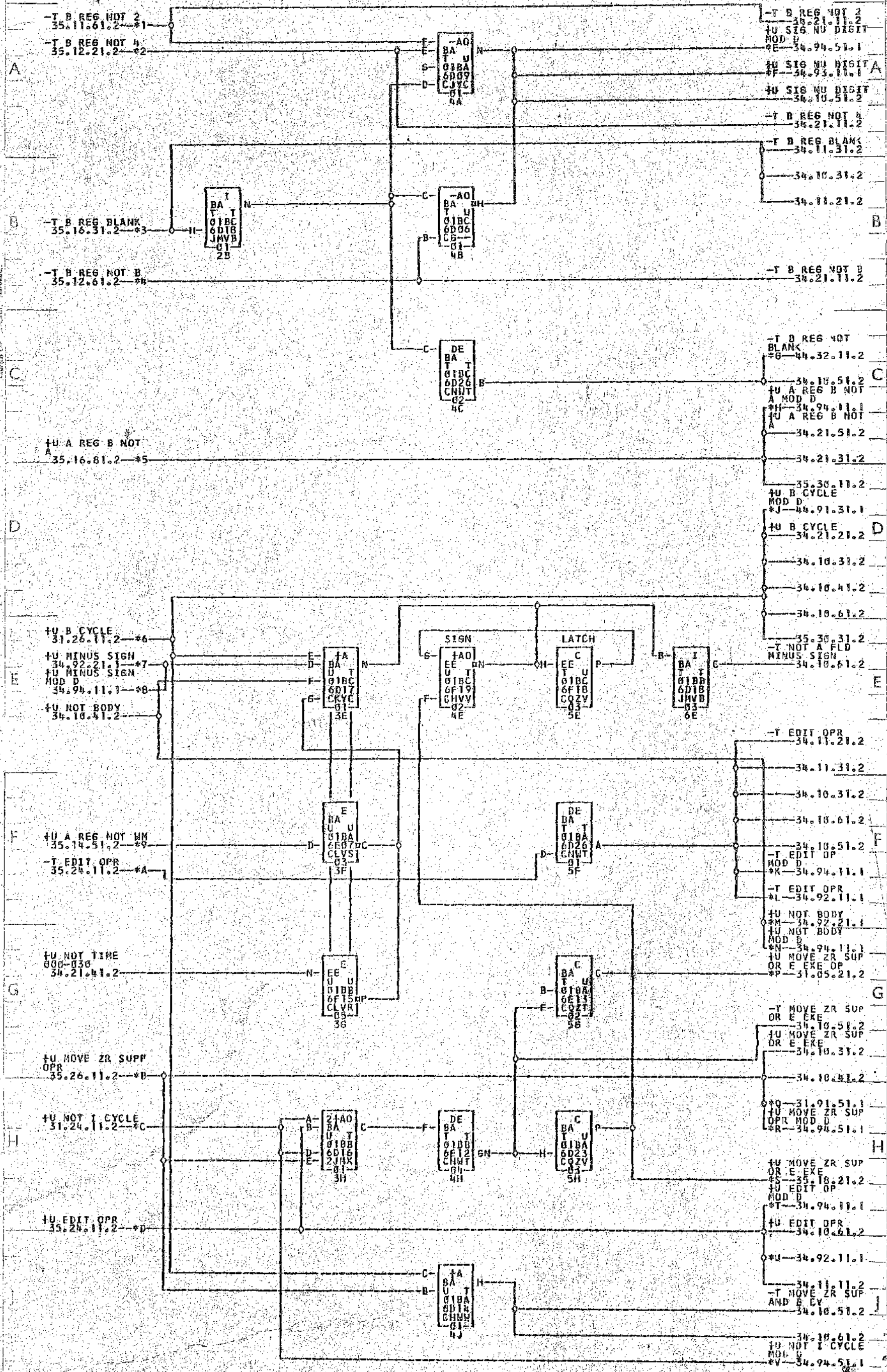
TAG DATE	E.C.NO.	TAG DATE	E.C.NO.	TAG DATE	E.C.NO.	TAG DATE	E.C.NO.
A 12-18-61	113530	B 12-19-62	114177C				

728963

1795



21-0180020	22-0180020	23-0180020	24-0180020	25-0180020	26-0180020	27-0180020	28-0180020	29-0180020	30-0180020
31-0180020	32-0180020	33-0180020	34-0180020	35-0180020	36-0180020	37-0180020	38-0180020	39-0180020	40-0180020
41-0180020	42-0180020	43-0180020	44-0180020	45-0180020	46-0180020	47-0180020	48-0180020	49-0180020	50-0180020

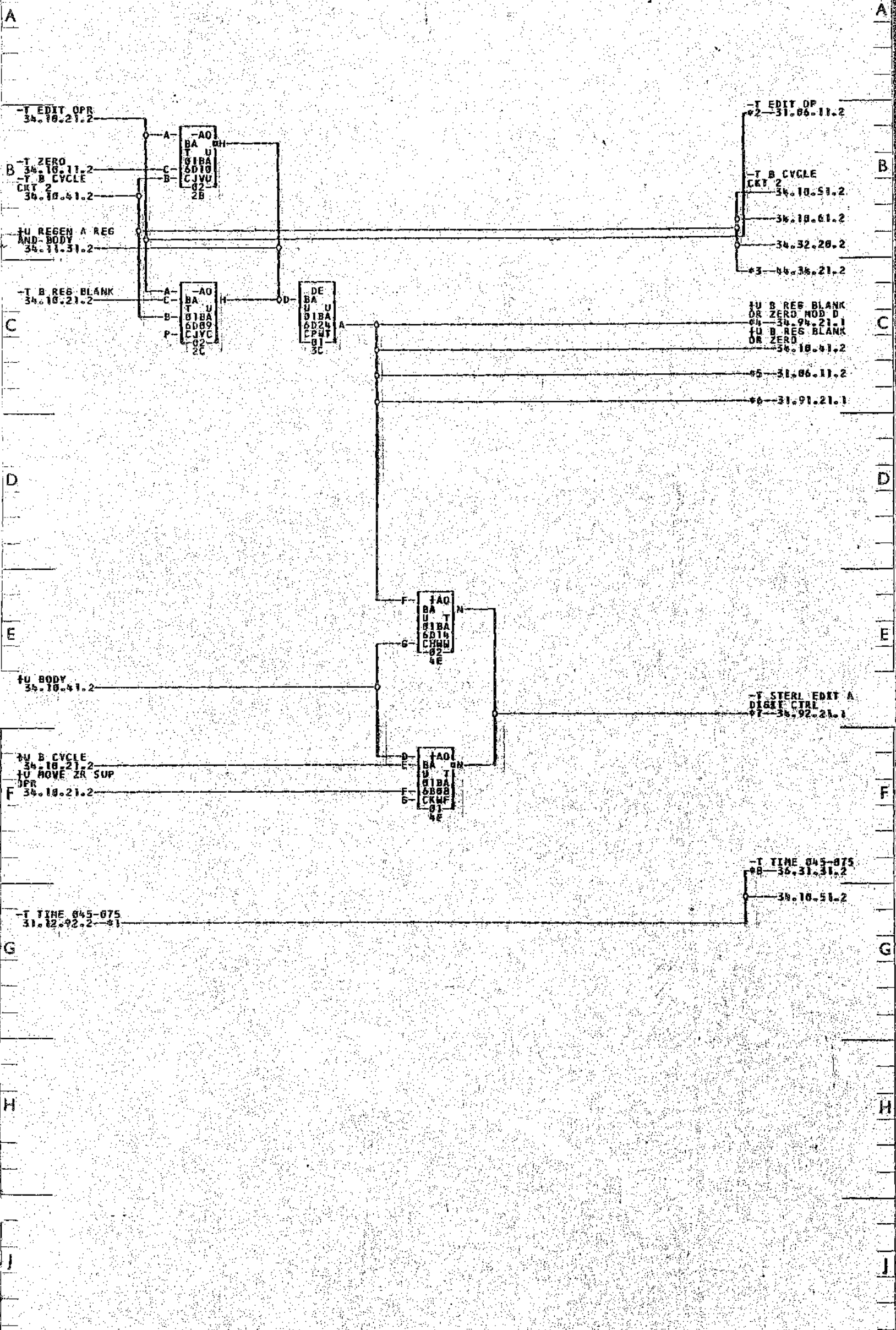


*1-01B6E02M	*2-01B6E02L	*3-01B6E02R	*4-01B6E02K	*5-01B6E02C	*6-01B6E01B
*7-01B6E01L	*8-01B6E01F	*9-01B6E01D	*10-DIRECT	*11-01B6E01P	*12-01B6E01H
*13-01B6E01I	*14-01B6E01F	*15-01B6E01A	*16-01B6E01B	*17-01B6E01P	*18-01B6E01H
*19-01B6E01J	*20-DIRECT	*21-01B6E01K	*22-02A9D17D	*23-02A8B25M	*24-01B6A04B
*25-01B6E01K	*26-DIRECT	*27-01B7A03K	*28-01B6E026A	*29-DIRECT	*30-01B7A05D
*31-01B6E026A	*32-DIRECT	*33-02B6E04A	*34-01B6E023C	*35-DIRECT	*36-02B8D15A
*37-01B6E023C	*38-DIRECT	*39-01B7A03B	*40-01B6E016	*41-01B6A04H	*42-02B8C02H
*43-01B6E03D	*44-01B7A02D	*45-01B6E02R	*46-01A3E26K	*47-01B6D018	*48-DIRECT
*49-01B7A06F	*50-01B6D018	*51-DIRECT	*52-02B8D10E	*53-01B6A04D	*54-01B7A03D

COMMENTS

TAG DATE E.C.NO. TAG DATE E.C.NO. TAG DATE E.C.NO. TAG DATE E.C.NO.

A 04-02-63 TA1607 B 04-17-63 TA1607B C 11-22-63 TA1988A

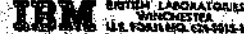


- \*1-01B6C01E
- \*2-01B6D01D
- 01B2E01D
- \*3-01B6F01C
- 02A9C19D
- 02A8B25C
- \*4-01B6D24A
- DIRECT
- 02B0E08D
- \*7-01B6B03A
- \*5-01B6E01K
- 02B0A02A
- \*8-01B6C03B
- \*6-01B6H24A

COMMENTS

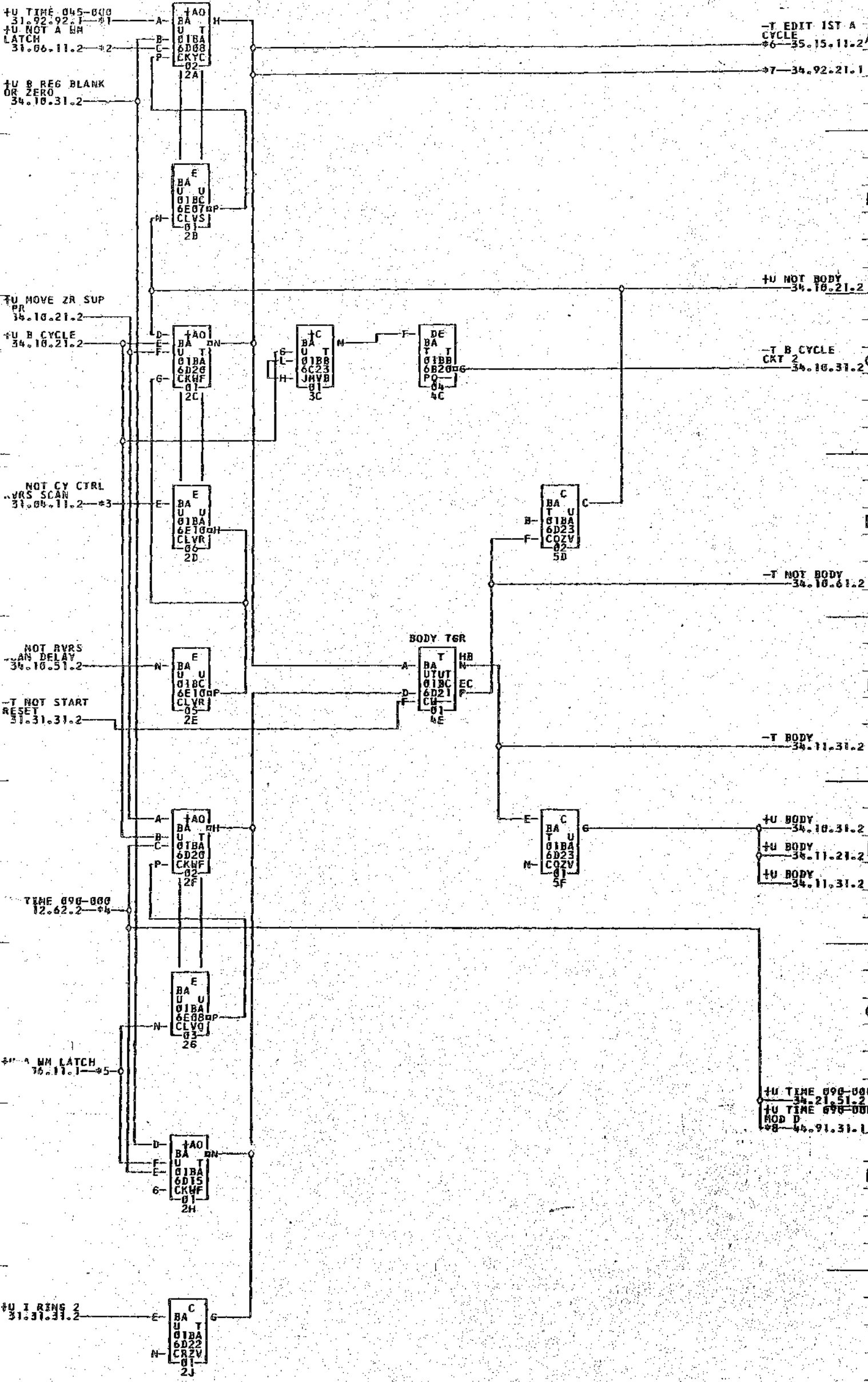
TAG DATE E.C.NO. TAG DATE E.C.NO. TAG DATE E.C.NO. TAG DATE E.C.NO.

A 04-02-63 TA1607 B 04-17-63 TA1607B C 11-22-63 TA1988A D 01-14-64 TA1988B



79607





- \*1-01B6B03F  
01A3B26D
- \*2-01B6E01H  
01B6A04C
- \*3-01B6B01R  
02B1C02C
- \*4-01B6C01D  
01B6A04H
- \*5-01B6E01J  
01B7A03H
- \*6-01B6C02D

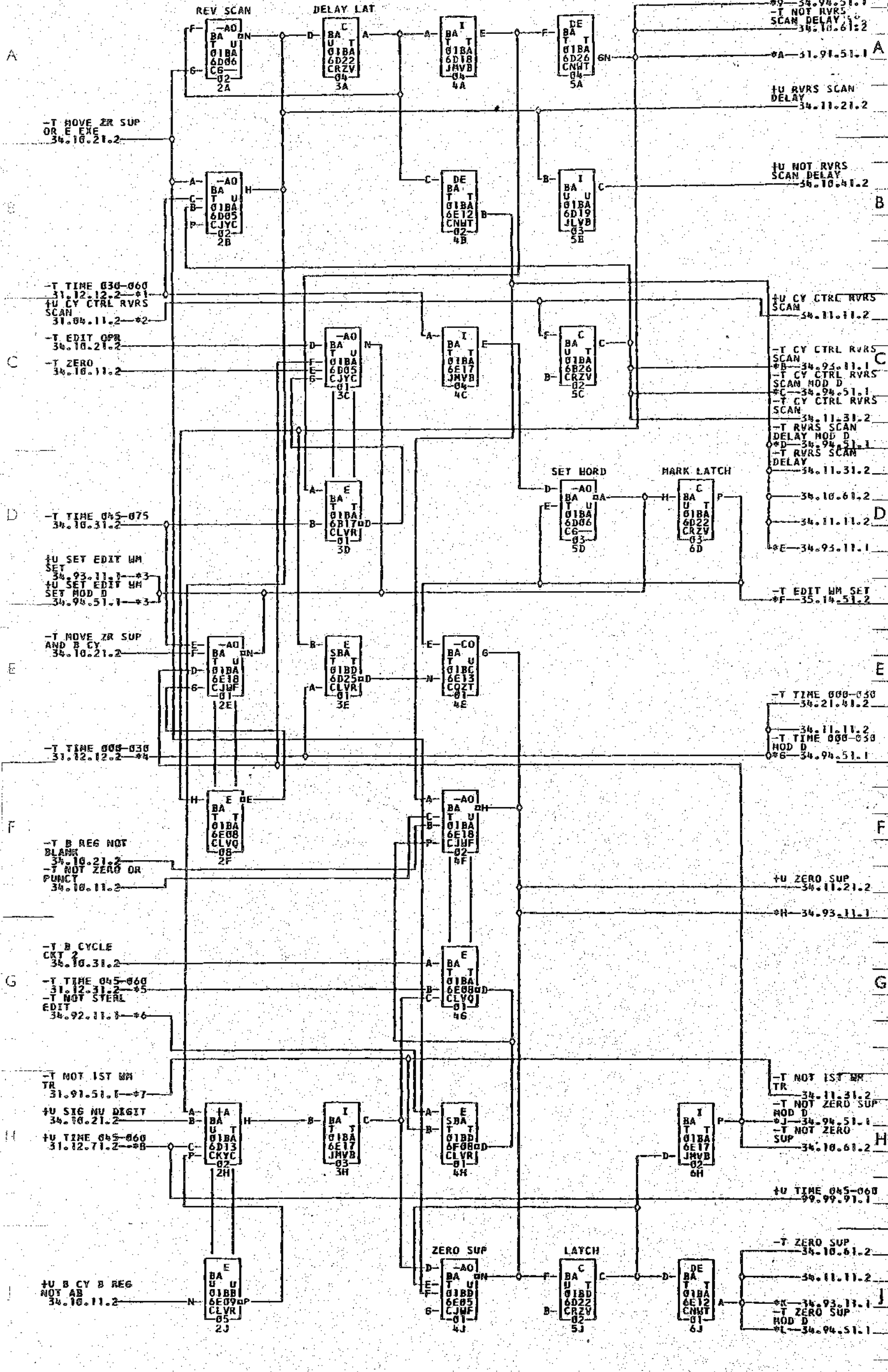
COMMENTS

TAG	DATE	E.C.NO.	TAG	DATE	E.C.NO.	TAG	DATE	E.C.NO.	TAG	DATE	E.C.NO.
A	10-06-62	TAT282A	B	10-04-63	TA1713D	C	04-11-63	TA1771B			

794158

1 5 0 0 H

FU TIME 090-000  
34.21.51.2  
FU TIME 090-000  
MOD D  
48-44.91.31.1



- \*1-01B6C0C
- \*2-01B6E01B
- \*3-01B6B030
- \*4-01B6C01D
- \*5-01B6C01F
- \*6-01B6B03D
- \*7-01B6A00K
- \*8-01B6C016
- \*9-01B6B036
- \*A-01B7A026
- \*10-01B6B03J
- \*11-02B8A02N
- \*B-01B6B03N
- \*C-01B6B03N
- \*D-01B6B03K
- \*12-02B8A02K
- \*E-02B8A02K
- \*F-01B6C02F
- \*G-01B6A04A
- \*13-01B7A02M
- \*H-01B6B03M
- \*I-01B7A02M
- \*K-01B6B03L
- \*14-02B8A02L
- \*L-01B6B03L

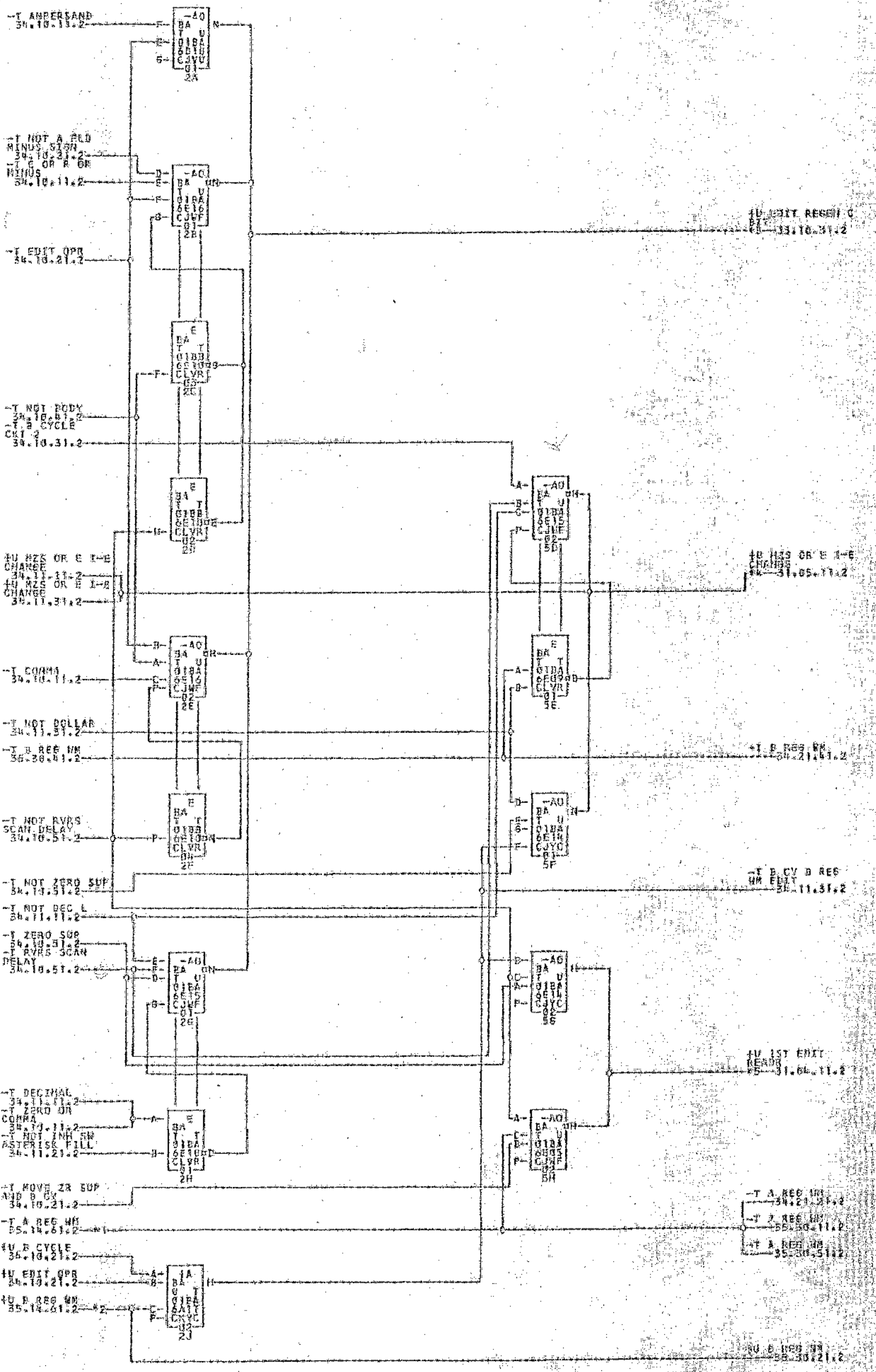
COMMENTS

TAG DATE E.C.NO. TAG DATE E.C.NO. TAG DATE E.C.NO. TAG DATE E.C.NO.

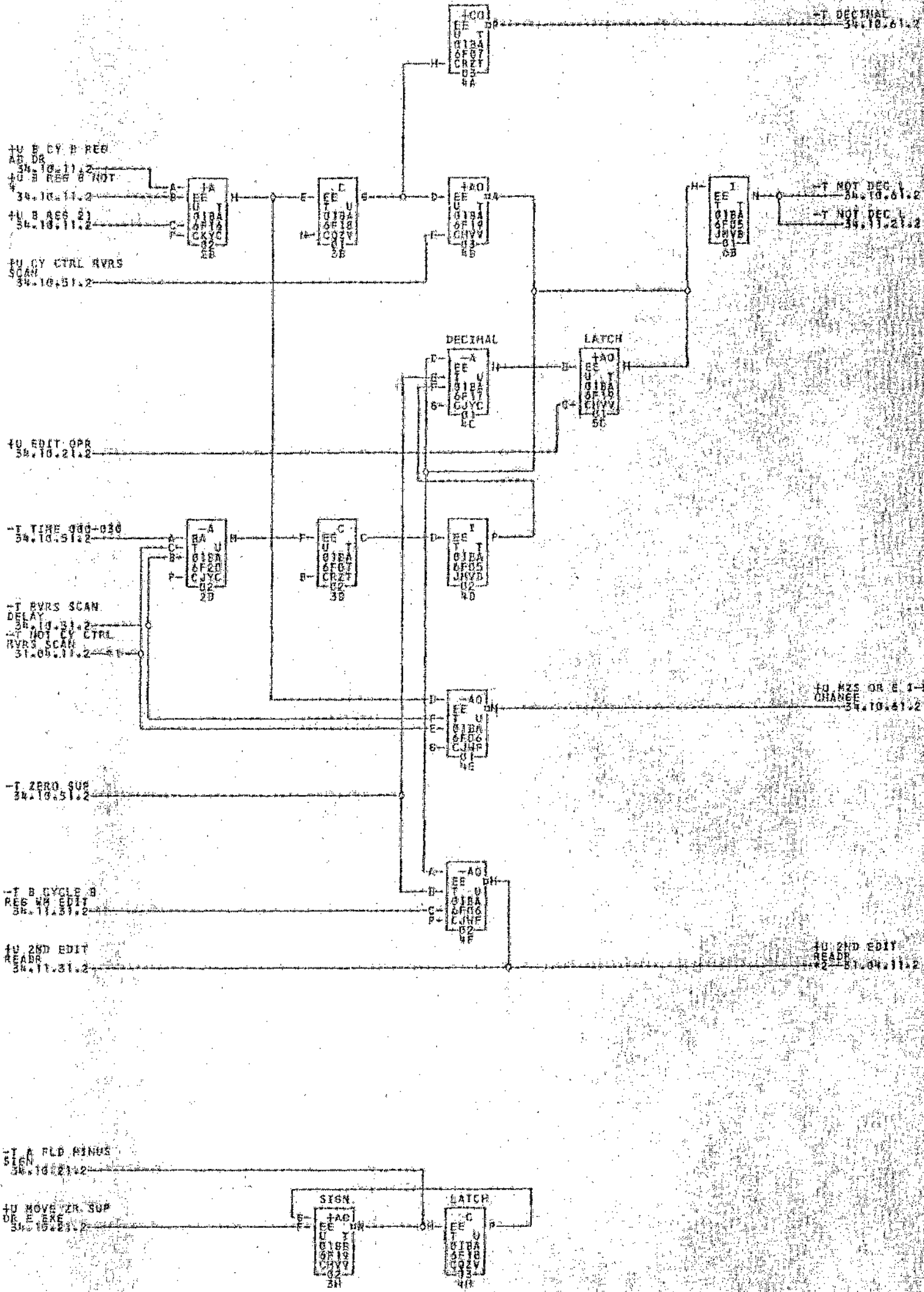
A 04-02-63 TA1607 B 04-17-63 TA1607B C 11-22-63 TA1980A

789959

000000



\*1--0186A01A    \*2--0186A01J    \*3--0186C02E    \*4--0186B01L    \*5--0186B01U



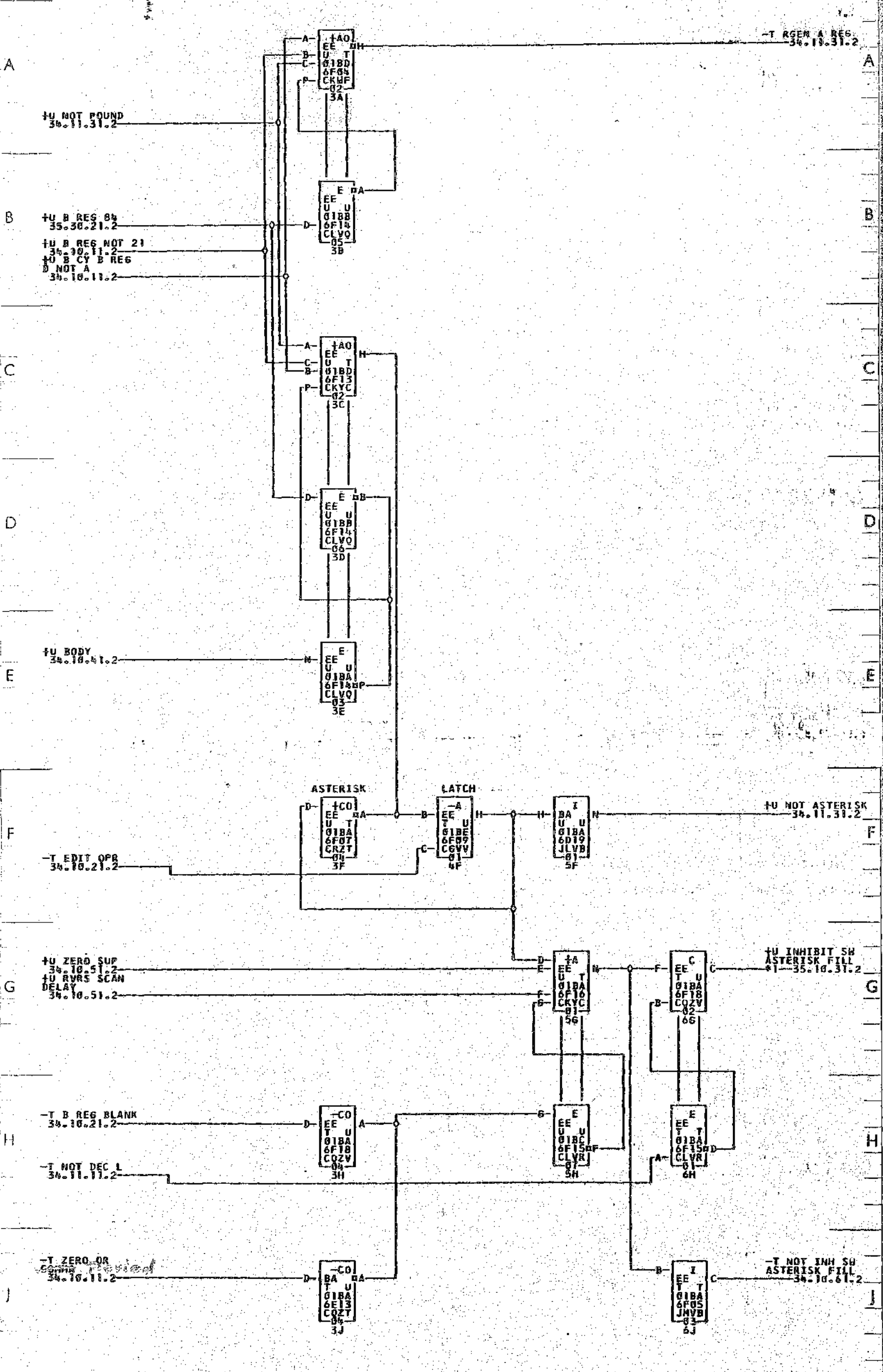
\*1-01B6E01C

\*2-01B6E00K

COMMENTS

TAG DATE S.C. NO. TAG DATE S.C. NO. TAG DATE S.C. NO. TAG DATE S.C. NO. TAG DATE S.C. NO.

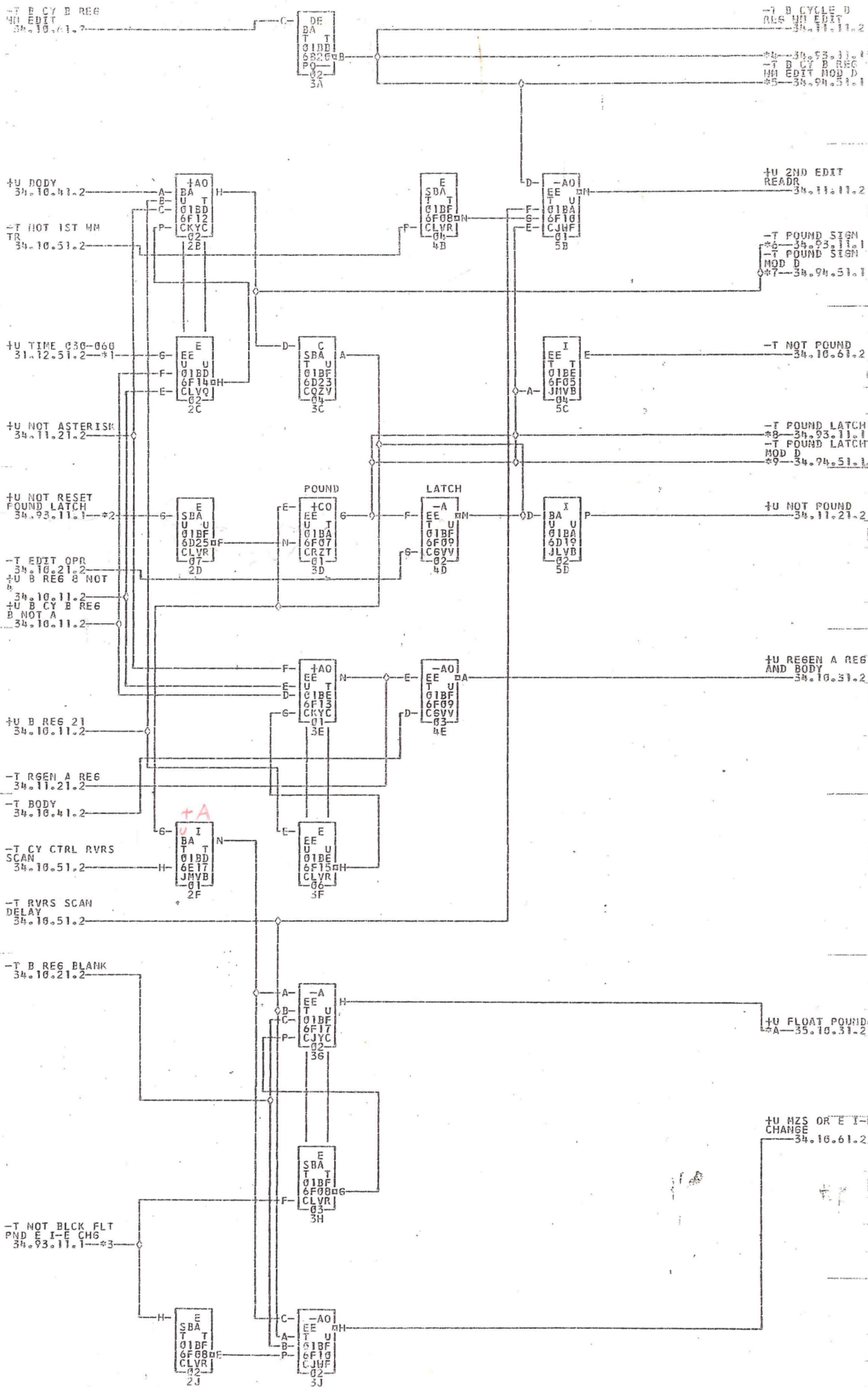
A 15-25-81 1103248 B 07-01-83 1113344 C 12-24-82 1140531



704162

COMMENTS

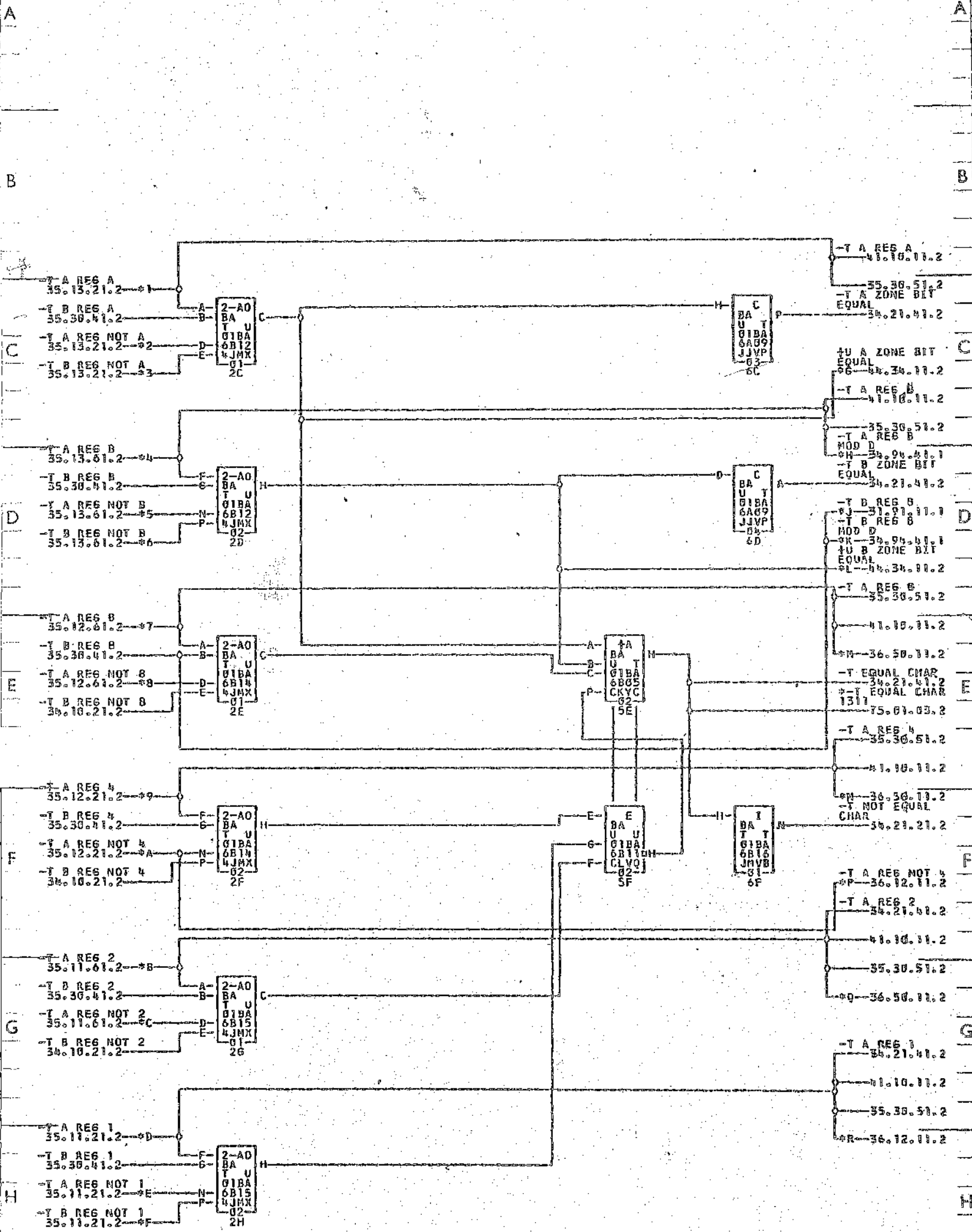
TAG	DATE	E.C.NO.	TAG	DATE	E.C.NO.	TAG	DATE	E.C.NO.
A	10-06-62	TA1282A	B	03-08-62	TA13706	C	04-17-63	TA17718
E	01-18-64	TA1988F						



- \*1—G1B6D01C
- \*2—G1B6D03R
- \*3—G1B6B03B
- \*4—G1B6B03J
- \*5—G1B6B03C
- \*6—G1B7A02J
- \*7—G1B6B03H
- \*8—G1B6B03C
- \*9—G1B6B03C
- \*A—G1B7A02C
- \*B—G1B6C02E
- \*C—G1B7A02H
- \*D—G1A3B266

COMMENTS

TAG	DATE	E.C.NO.	TAG	DATE	E.C.NO.	TAG	DATE	E.C.NO.	TAG	DATE	E.C.NO.
A	18-06-62	TA1282A	B	03-08-62	TA1370S	C	05-11-62	TA1578A	D	11-18-63	TA1988F
E	11-18-63	TA1988	F	01-14-64	TA1988F						



- \*1--01B6A01C
- \*2--01B6E02B
- \*3--01B6E02J
- \*4--01B6A01B
- \*5--01B6E02A
- \*6--01B6E02H
- \*7--01B6A01D
- \*8--01B6E02C
- \*9--01B6A01E
- \*A--01B6E02D
- \*B--01B6A01F
- \*C--01B6E02E
- \*D--01B6A01S
- \*E--01B6E02F
- \*F--01B6E02N
- \*G--01B6F03F
- \*H--01B6E02G
- \*I--01B6B14B
- \*J--01B6E02F
- \*K--01B6B14D
- \*L--01B6F03E
- \*M--DIRECT
- \*N--01B7C23D
- \*O--01B6E03C
- \*P--02A9D03D
- \*Q--01B6E03A
- \*R--01B6E03A
- \*S--01B6E02A
- \*T--01B6A01F
- \*U--02A9D05D
- \*V--02B8D09D
- \*W--02A9D03D
- \*X--02A9D03D
- \*Y--01B4B02R
- \*Z--01B6E03H

COMMENTS

TAG DATE E.C.NO. TAG DATE E.C.NO. TAG DATE E.C.NO. TAG DATE E.C.NO.

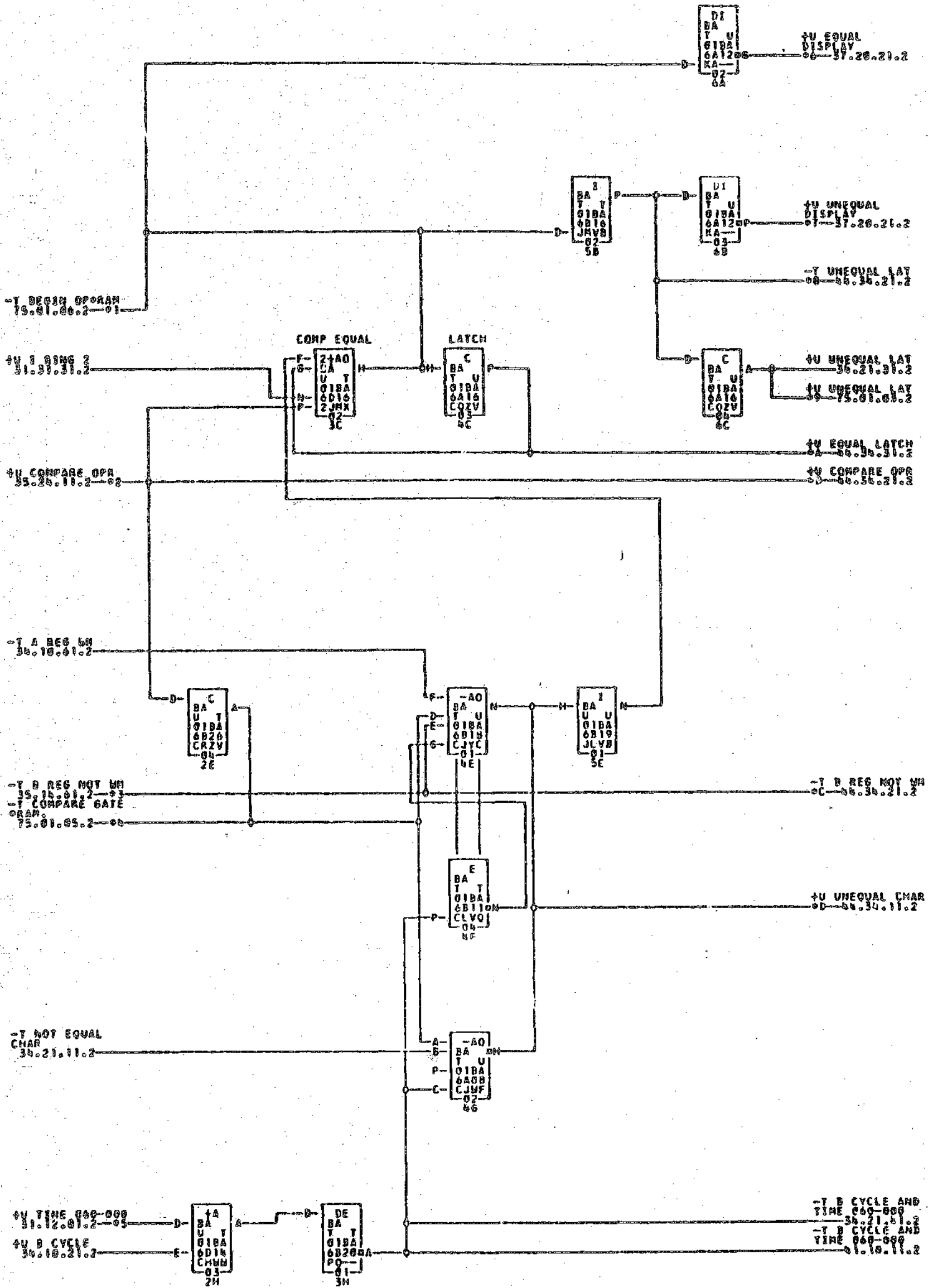
A 04-02-63 TA1607 B 04-17-63 TA1607B

1607

70000

1607

70000



- \*1-01B6F03P      \*2-01B6D01A      \*3-01B6E02P      \*4-01B6F03H
- 02A9D19D      \*5-01B6C01H      \*6-01B6A02H      \*7-01B6A02J
- 01A2A04J      \*8-01B6F03A      \*9-01B6C01N      \*8-01B6F03D
- 02A0F23F      \*A-01B6F03H      \*B-01B6F03D      \*C-01B6F03R
- 02A9D13D      \*D-01B6F03G      \*2-02A8B25H      \*2-02A8B256
- 02A9E01D      \*5-01B6C01H      \*2-02A8B25H      \*2-02A8B256
- 02A8E24A      \*5-01B6C01H      \*2-02A8B25H      \*2-02A8B256
- 02A9C15D      \*2-02A8B25H      \*2-02A8B25H      \*2-02A8B256
- 02A9D09D      \*2-02A8B25H      \*2-02A8B25H      \*2-02A8B256
- 01B6D01A      \*2-02A8B25H      \*2-02A8B25H      \*2-02A8B256
- 01B6A02H      \*2-02A8B25H      \*2-02A8B25H      \*2-02A8B256
- 01B6C01N      \*2-02A8B25H      \*2-02A8B25H      \*2-02A8B256
- 01B6F03D      \*2-02A8B25H      \*2-02A8B25H      \*2-02A8B256
- 02A8B256      \*2-02A8B25H      \*2-02A8B25H      \*2-02A8B256

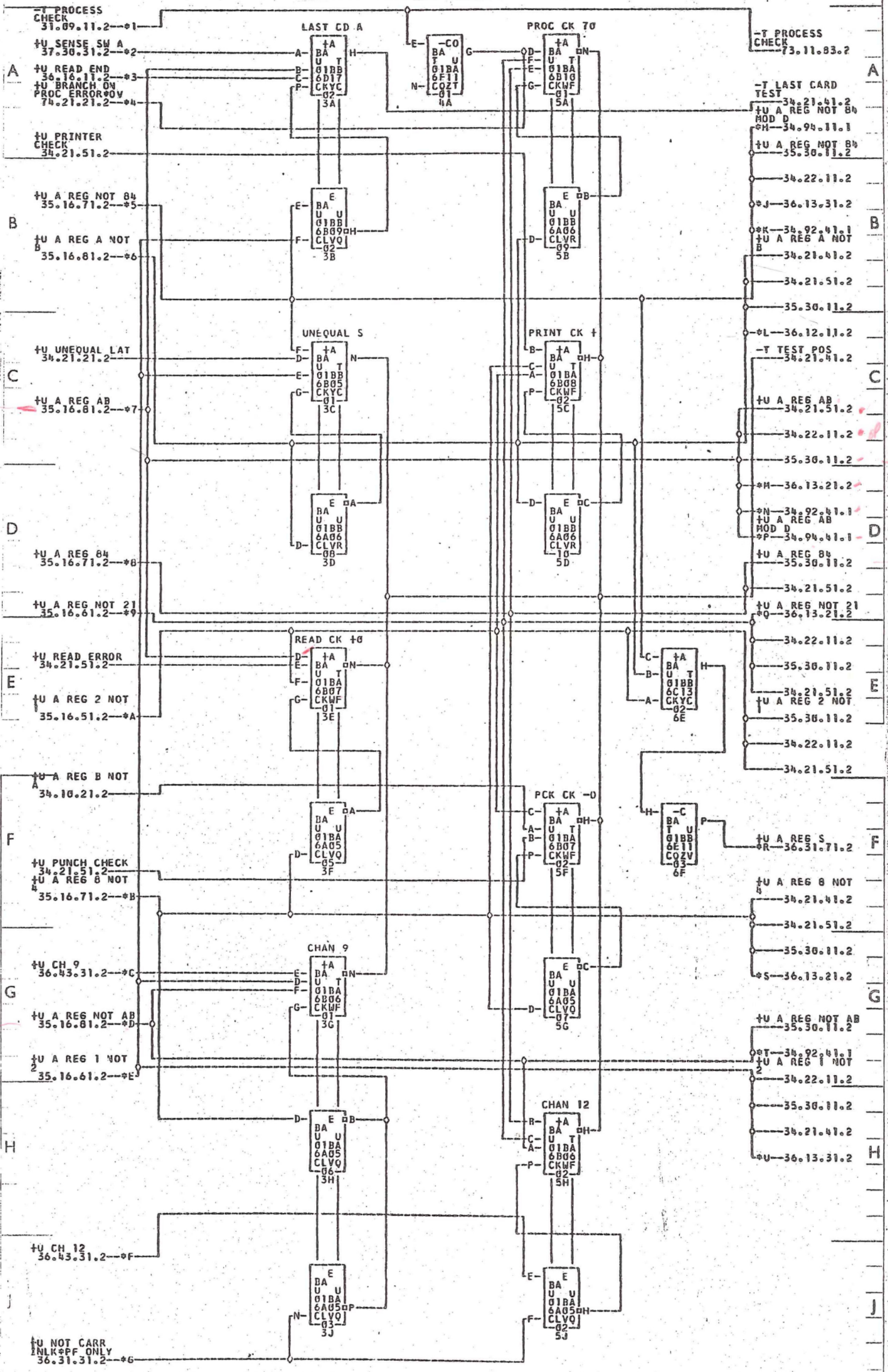
COMMENTS

TAG DATE E.C.NO. TAG DATE E.C.NO. TAG DATE E.C.NO. TAG DATE E.C.NO.

12-18-61 113530 05-01-62 114158 12-11-62 114178

729182





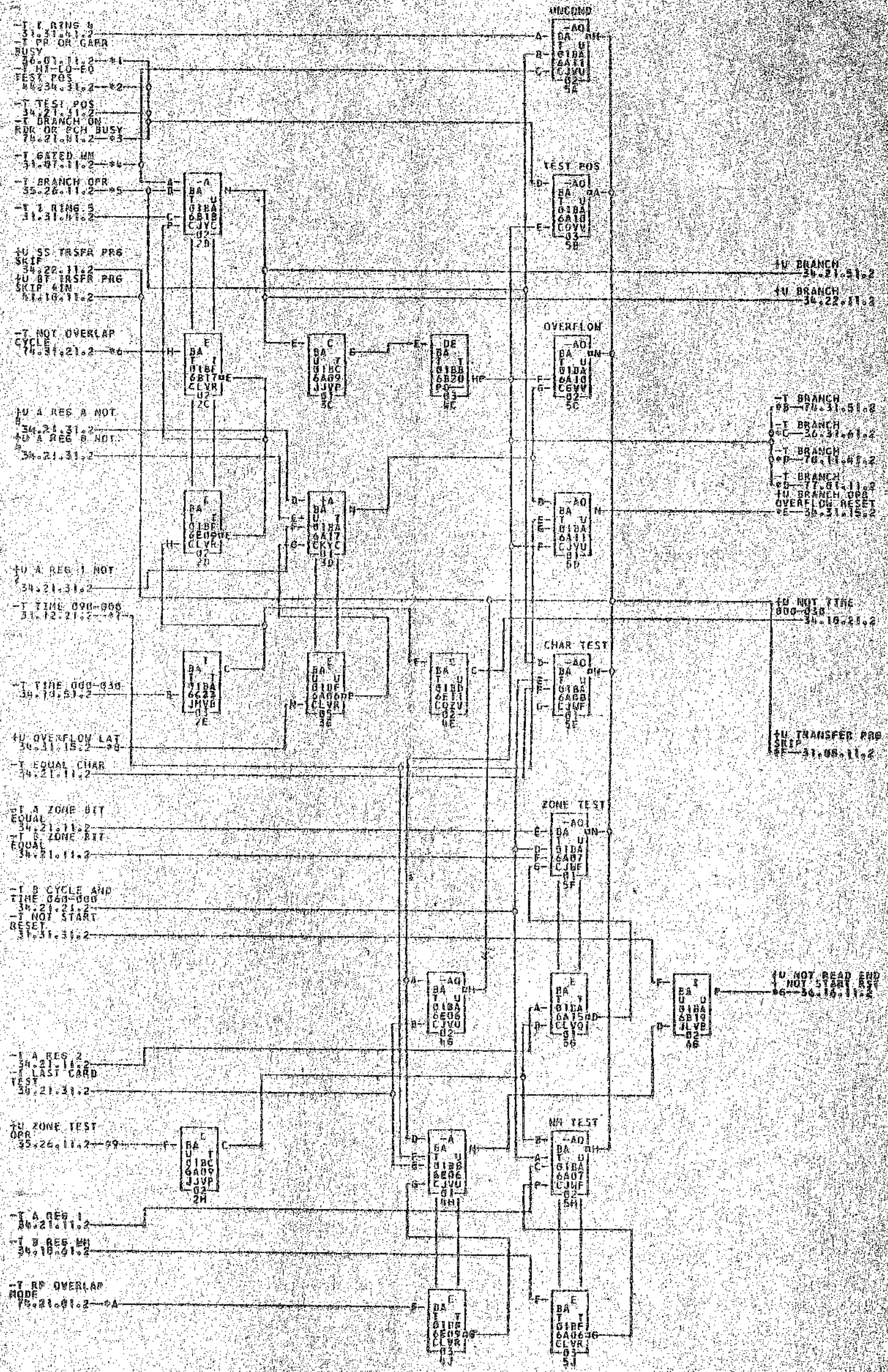
- \*1-01B6E01F      \*2-01B6A02A      \*3-01B6A03A      \*4-01B6F02G      \*5-01B6B02H      \*6-01B6B02B
- \*7-01B6B02A      \*8-01B6B02E      \*9-01B6B02M      \*A-01B6D02K      \*D-01B6B02F      \*C-01B6D016
- \*D-01B6B02D      \*E-01B6B02L      \*F-01B6D01H      \*G-01B6C03M      \*H-01B6B05F      DIRECT
- \*L-01B7C15L      \*J-01B6A03D      \*M-01B4B02D      \*K-01B6B05F      \*N-01B6A04H      \*2BBD21E
- \*P-01B6E03P      \*I-01B4E03P      \*N-01B6E03L      \*N-01B6A04H      \*R-01B6C03N      \*2BBD02M
- \*S-01B6E03K      \*T-01B4E03K      \*O-01B6E03E      \*R-01B6C03N      \*U-01B6E03H      \*01A6F25M
- 01B4E03H           \*T-01B6B06A      DIRECT      \*2BBD17E

COMMENTS

TAG DATE E.C.NO. TAG DATE E.C.NO. TAG DATE E.C.NO. TAG DATE E.C.NO.

A 04-02-64 TA1607 B 04-17-64 TA1607R

1607 AT  
 00005



01-01B6C03R	02-01B6F03D	03-01B6F02H	04-01B6C01P	05-01B6D01E	06-01B6F02A
07-01B6C01J	08-01B6F01N	09-01B6D01P	10-01B6F02J	11-01B6F02C	12-02A9F85D
13-02B1D02N	14-01B6F03A	15-01A6C235	16-01B6D01M	17-01B1A02M	18-01B1C03H
19-02A0F118	20-02A2C03H	21-02A6C235	22-01B7D04K	23-01B6F01R	24-01B3B02H
25-01B6D01A	26-01B2E01M	27-01B6E03F	28-01B6E01F		

COMMENTS

REV	DATE	BY	NO.	REV	DATE	BY	NO.	REV	DATE	BY	NO.
1	12-19-62	116160		2	01-27-63	116178		3	04-17-62	116130	
4	05-01-62	116110									

10101

0729185

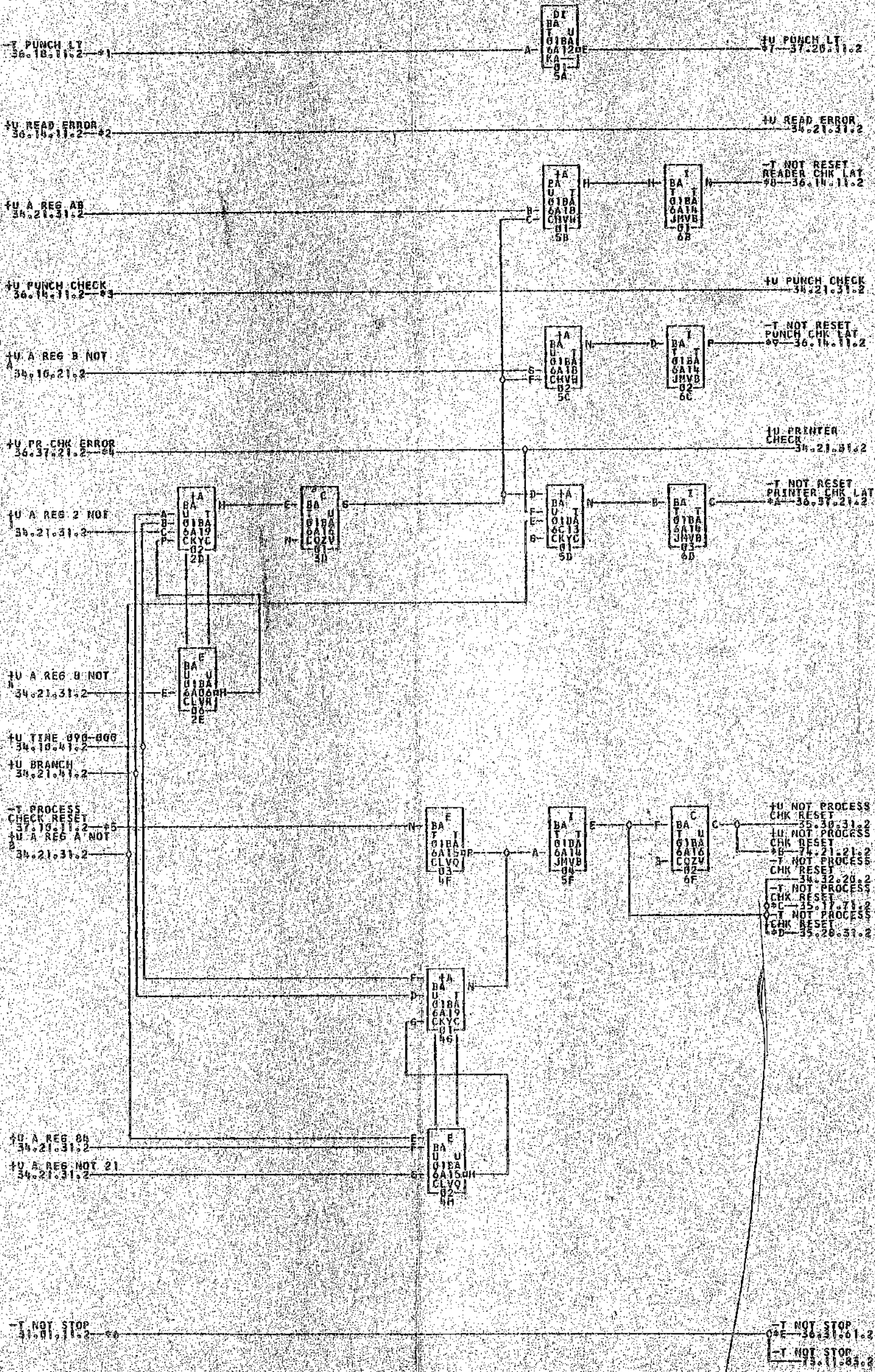
CHECK RESET CONTROL

UNIT BA

34.21.51.2

TAG DATE

B 7.2.63  
TA 1718A  
C 5.3.63  
TA 1771A



- \*1-01B6A03B
- \*2-01B6A03H
- \*3-01B6A03N
- \*4-01B6C03C
- \*5-01B6A02M
- \*6-01B6E01N
- \*7-01B6A02P
- \*8-01A2A20J
- \*9-01B6A03P
- \*0-01B6A03Q
- \*1-01B6C02J
- \*2-01B6D02C
- \*3-01B6C03D
- \*4-01B6A02D
- \*5-01B6C03D
- \*6-01B6A02D
- \*7-01B6C03D

COMMENTS

TAG DATE E.C. NO. TAG DATE E.C. NO. TAG DATE E.C. NO. TAG DATE E.C. NO.  
 A 12-10-61 113150 B 10-23-62 119160 C 12-11-62 119170

729185

0729166

SENSE SWITCHES OPTIONAL

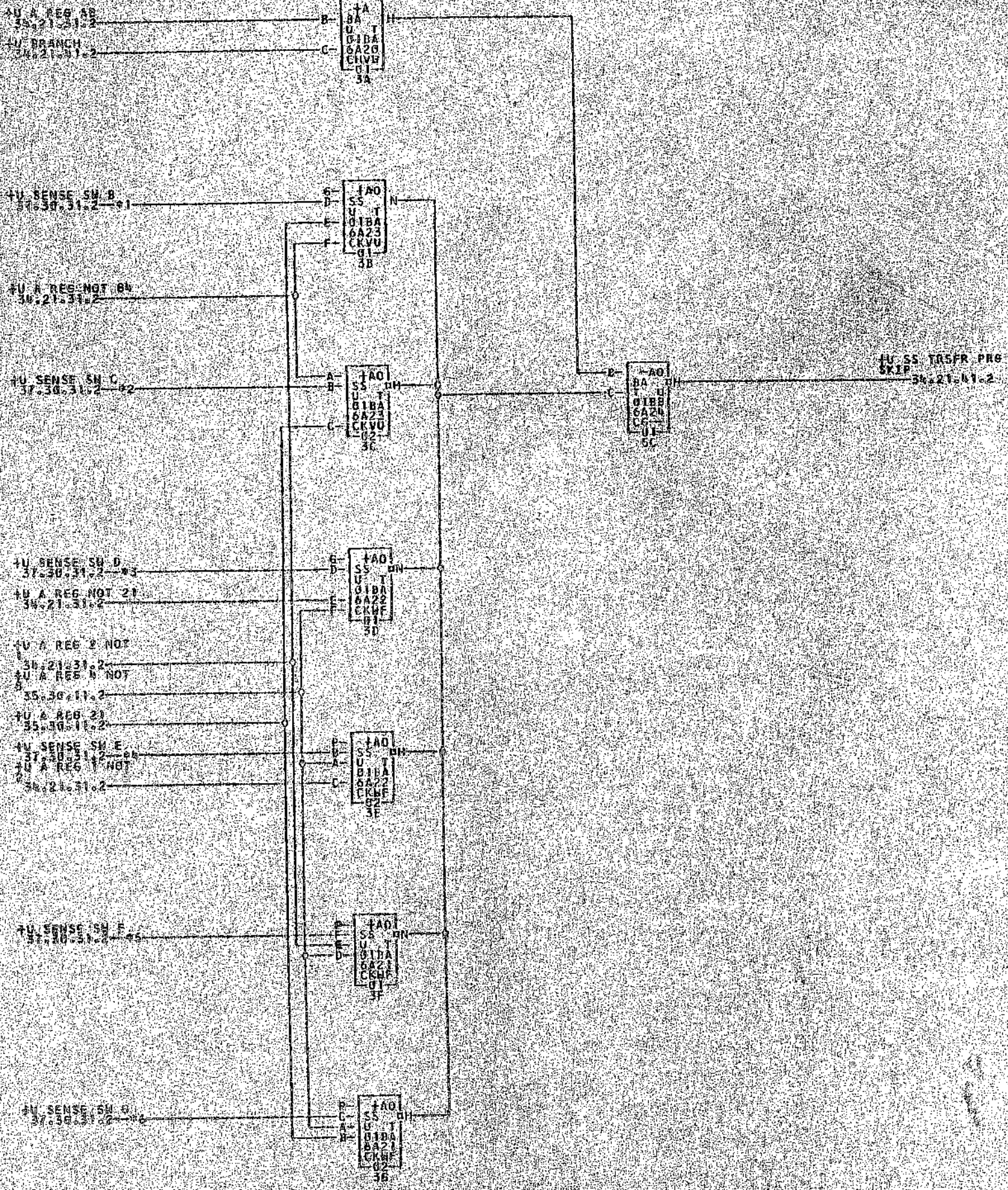
140Y BA

34.22-11.2

TAG DATE

A 5.4.62  
TA 1238B

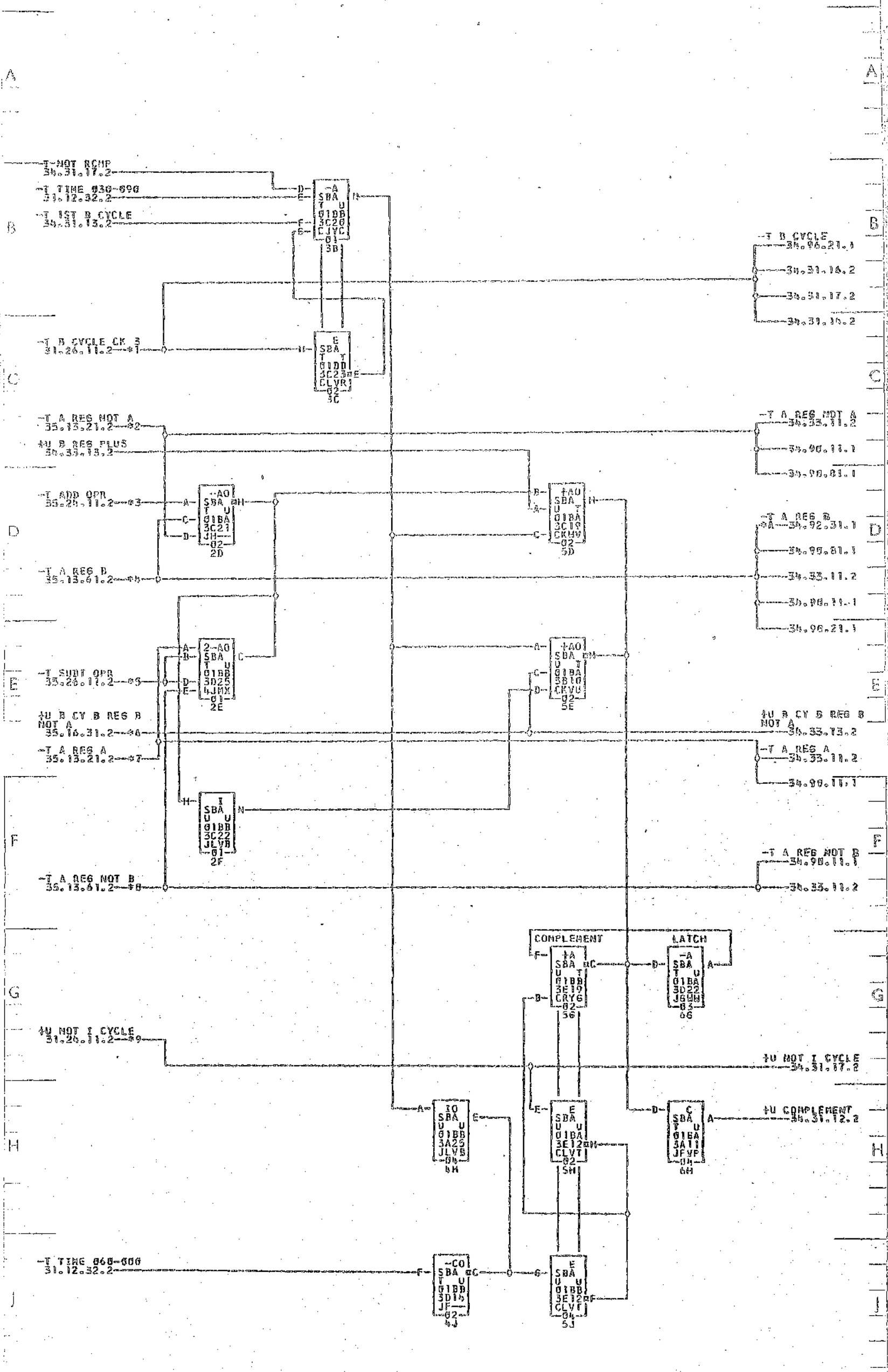
B 5.8.63  
TA 1771A



01-0186A02B    02-0186A02C    03-0186A02D    04-0186A02E    05-0186A02F    06-0186A02G

COMMENTS    TAG DATE    SIG NO    TAG DATE    SIG NO    TAG DATE    TAG DATE    TAG DATE    TAG DATE    TAG DATE

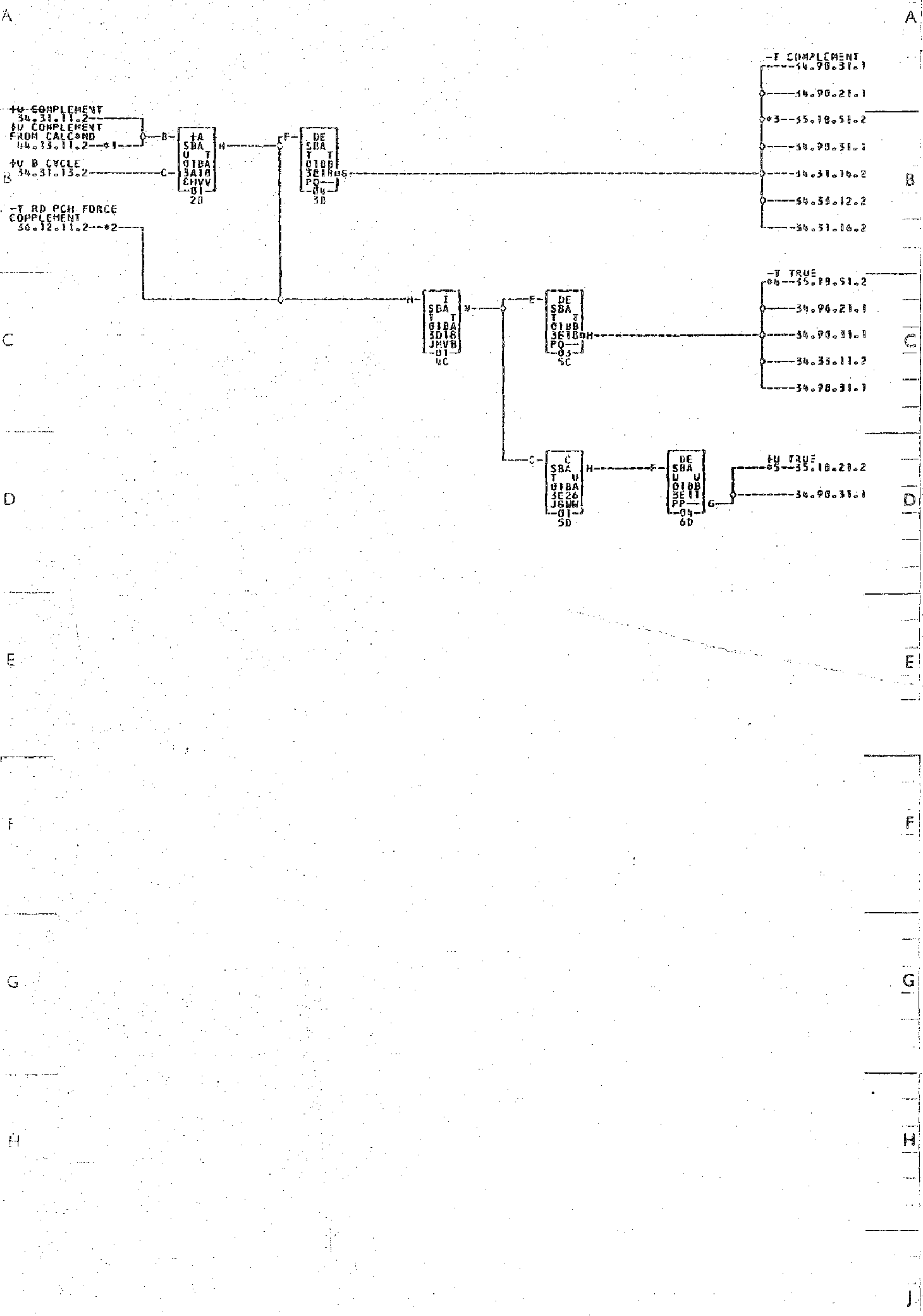
729186



- \*1--01B3E03A
- \*2--01B3B011
- \*3--01B3D02A
- \*4--01B3B01K
- \*5--01B3D02F
- \*6--01B3D03P
- \*7--01B3D01J
- \*8--01B3B01M
- \*9--01B3E03E
- \*A--01B3F01L
- \*2B8B02L

COMMENTS

TAG	DATE	E.C.NO.	TAG	DATE	E.C.NO.	TAG	DATE	E.C.NO.	TAG	DATE	E.C.NO.
A	04-02-63	TA1607	B	04-17-63	TA1607B						

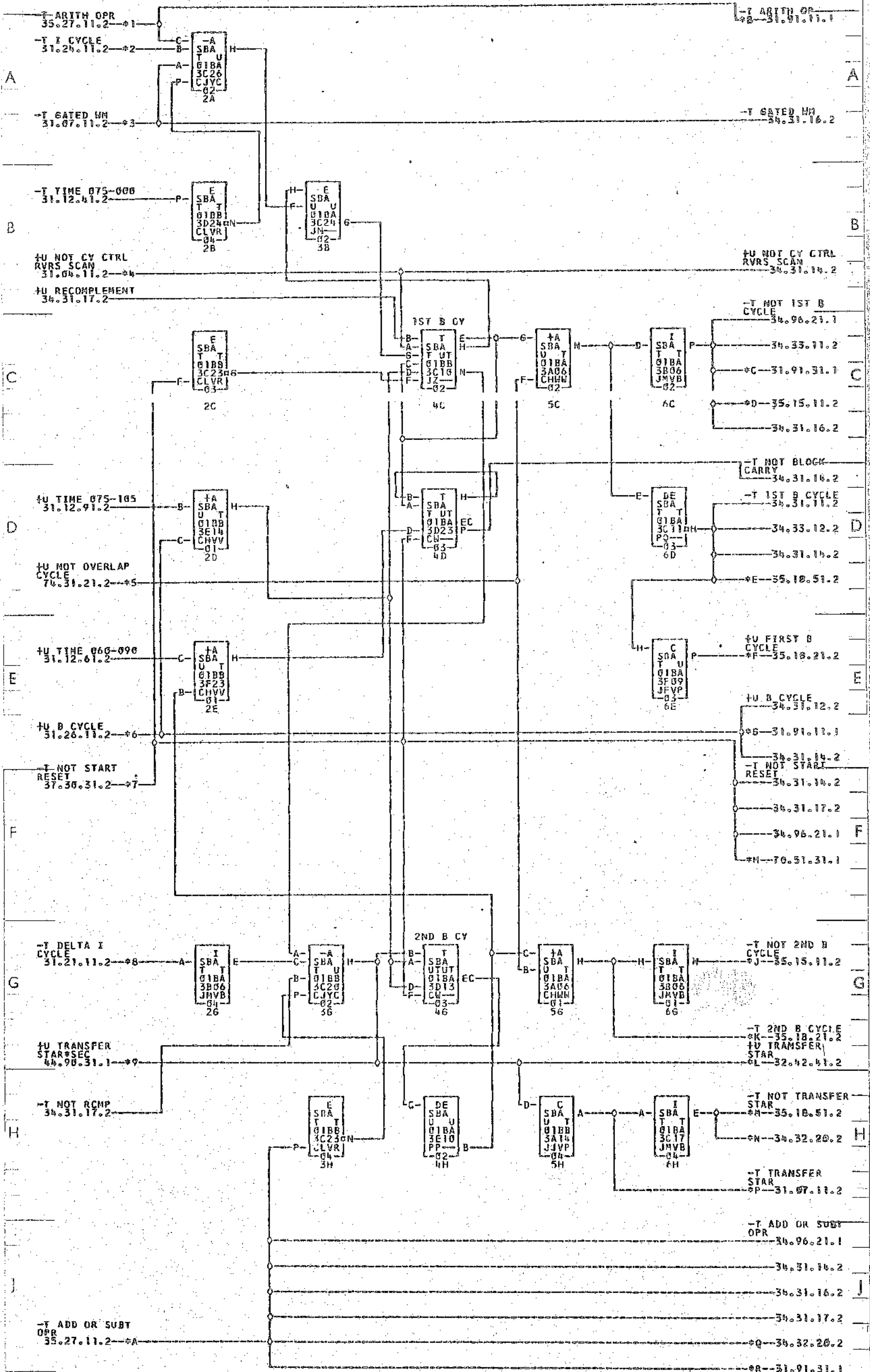


\*1--01B3C02N      \*2--01B3C03P      \*3--01B3C01P      \*4--01B3C01M      \*5--01B3C01H

COMMENTS

TAG	DATE	E.C.NO.	TAG	DATE	E.C.NO.	TAG	DATE	E.C.NO.
A	14-08-62	TAT202A	B	03-08-62	TAT3706	C	04-17-61	TAT7710

IBM



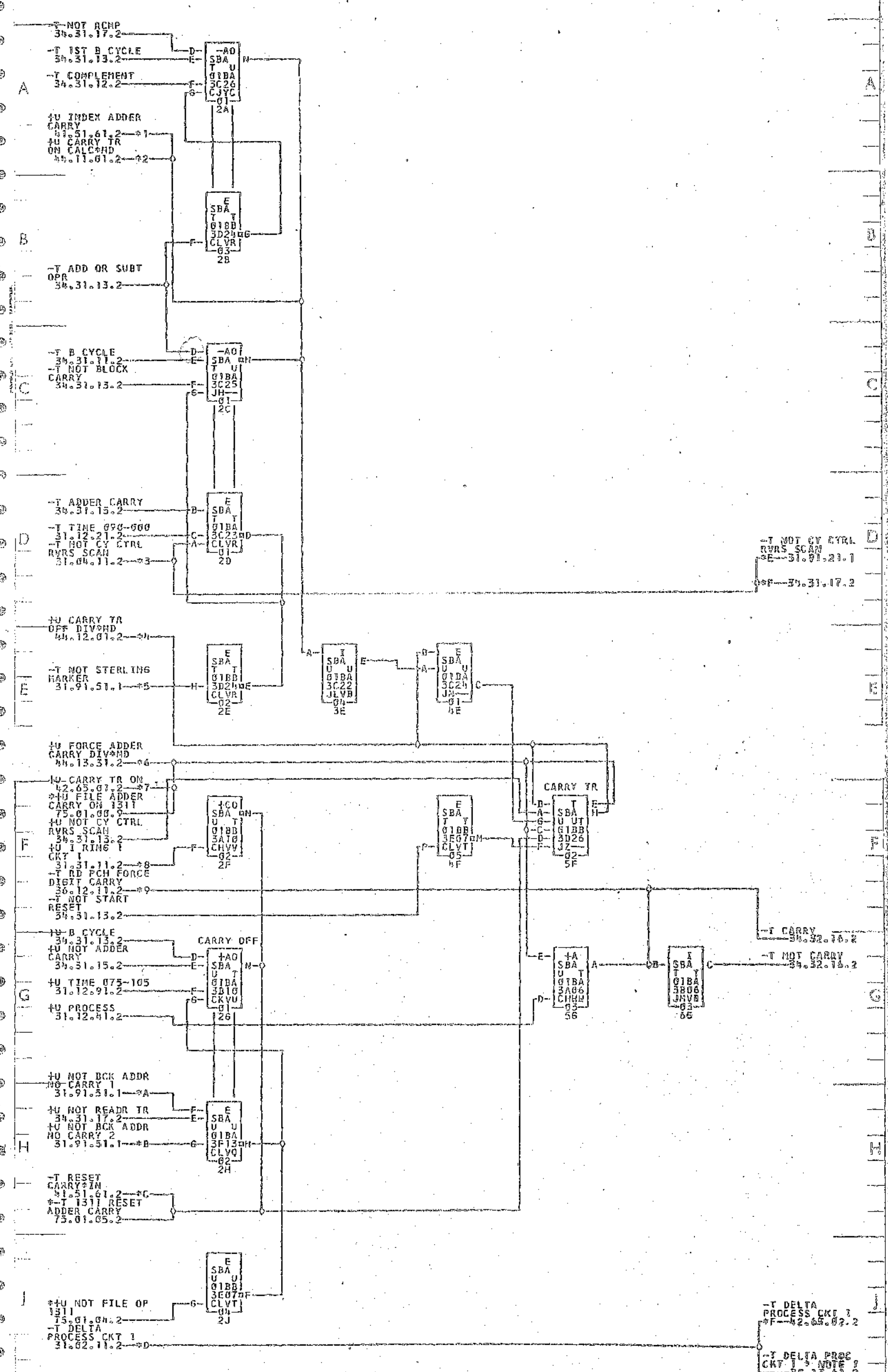
- \*1-01B3D02B
- \*2-01B3D01P
- \*3-01B3D010
- \*4-01B3E04F
- \*5-01B3A026
- \*6-01B3E030
- \*7-01B3F02J
- \*8-01B3E03D
- \*9-01B3D04P
- \*A-01B3D026
- \*B-01B3D004L
- \*C-01B3D00Q
- \*D-01B3E01K
- \*E-01A3C26K
- \*F-01B3E01J
- \*G-01A3C26L
- \*H-02A1C26H
- \*I-01B3E01N
- \*J-02A2C26H
- \*K-01A3C26N
- \*L-01B3A03H
- \*M-01B3E03C
- \*N-01B3D01R
- \*O-01B3E04L
- \*P-01B3E03N
- \*Q-01B3E04L
- \*R-01B6F01L
- \*S-01B3E04F
- \*T-01B3D026
- \*U-01A3C26J
- \*V-02A0C07E
- \*W-01B3E01F
- \*X-01B3E04K
- \*Y-01B3D04P
- \*Z-02B8B01P

COMMENTS TAG DATE E.C.NO. TAG DATE E.C.NO. TAG DATE E.C.NO. TAG DATE E.C.NO.

A 04-02-63 TA1607 B 04-17-63 TA1607B

BIRDEN LABORATORIES  
2000 N. 17th St.  
WILMINGTON, DELAWARE

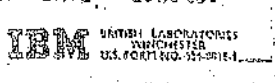
100158A



- \*1-01B3003Q      \*2-01B3006E      \*3-02B7002E      \*4-01B3003M      \*5-01B3004L      \*6-01B3008H
- \*7-01B3004P      \*8-01B3004E      \*9-06B7A16K      \*A-01B3003K      \*B-01B3003R      \*C-01B3008B
- \*D-01B3004E      \*E-01B3003P      \*F-01B3003H      \*G-01B3003M      \*H-01B3003R      \*I-01B3008B
- \*J-06B7A16P

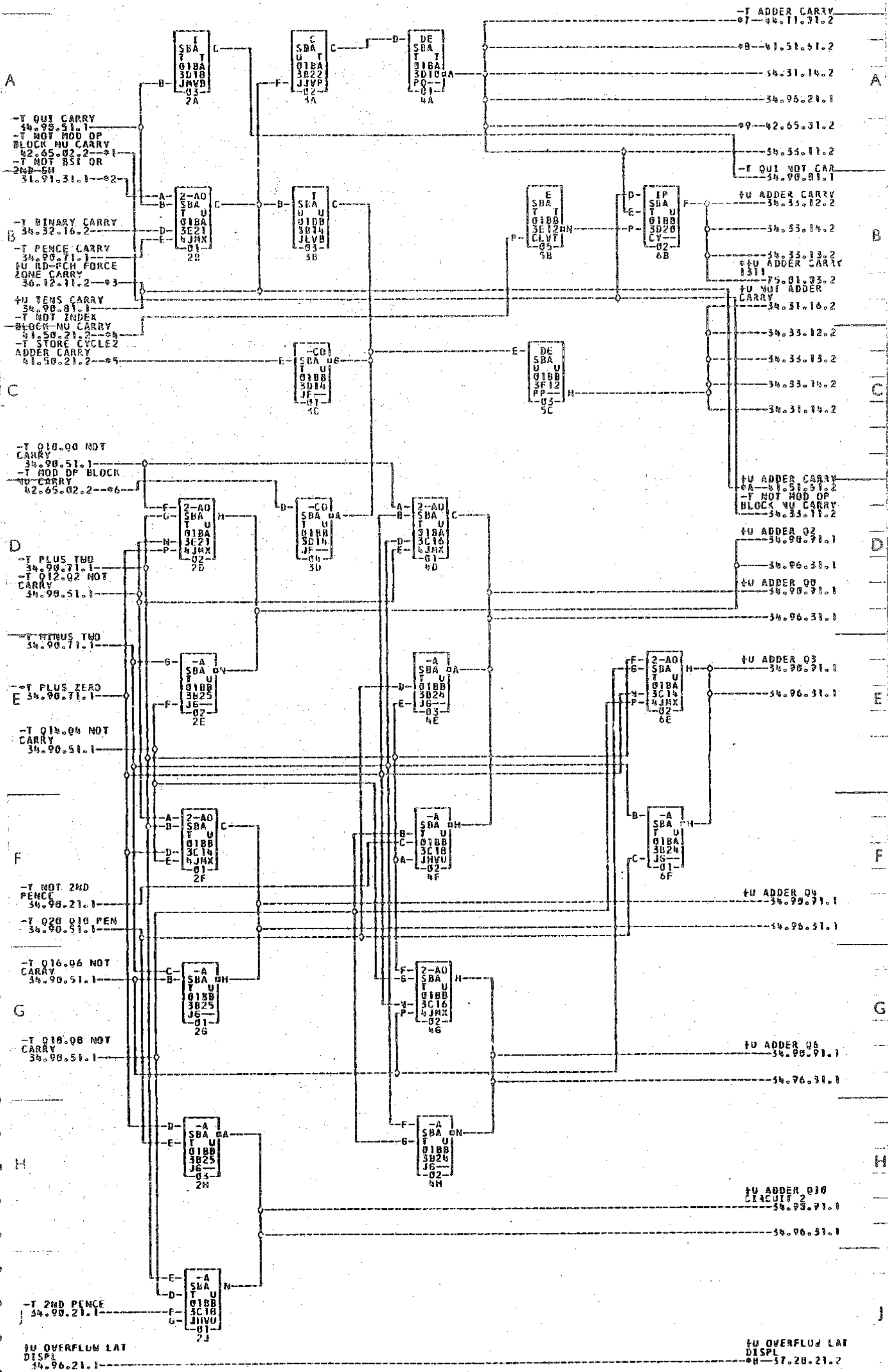
NOTE 1 EXTERNAL CABLE FOR  
 OVLV INDICATOR PANEL  
 NOTE ASTERISK PRECEDING SIGNAL  
 INDICATES DIRECT CABLE EXPANSION

TAG DATE E.C.NO. TAG DATE E.C.NO. TAG DATE E.C.NO. TAG DATE E.C.NO.  
 A 05-02-63 TA1607 B 05-17-63 TA1607B

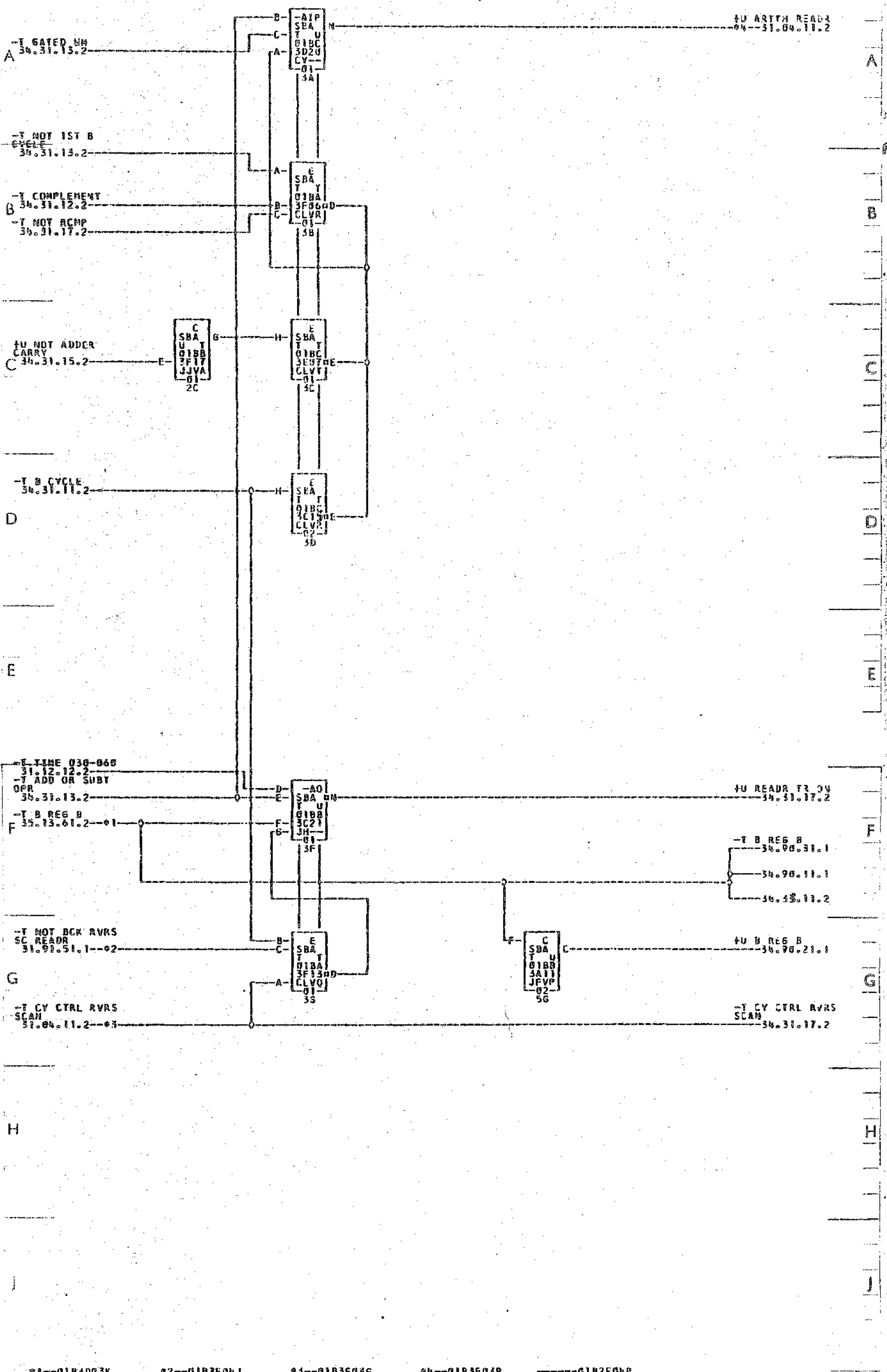


1607





- 01--01B3003H
- 02--01B3A01H
- 03--01B3004C
- 04--01B3003K
- 05--01B3002K
- 06--01B3003N
- 07--01B3004C
- 08--01B3003M
- 09--01B3004E
- 0A--01B3003M
- 0B--01B3003A
- 06B7A13M
- 06B7A16N
- 02A9E13E
- 06B7A13E
- 02B7B02C
- 02B7B03A
- 02B6C02N

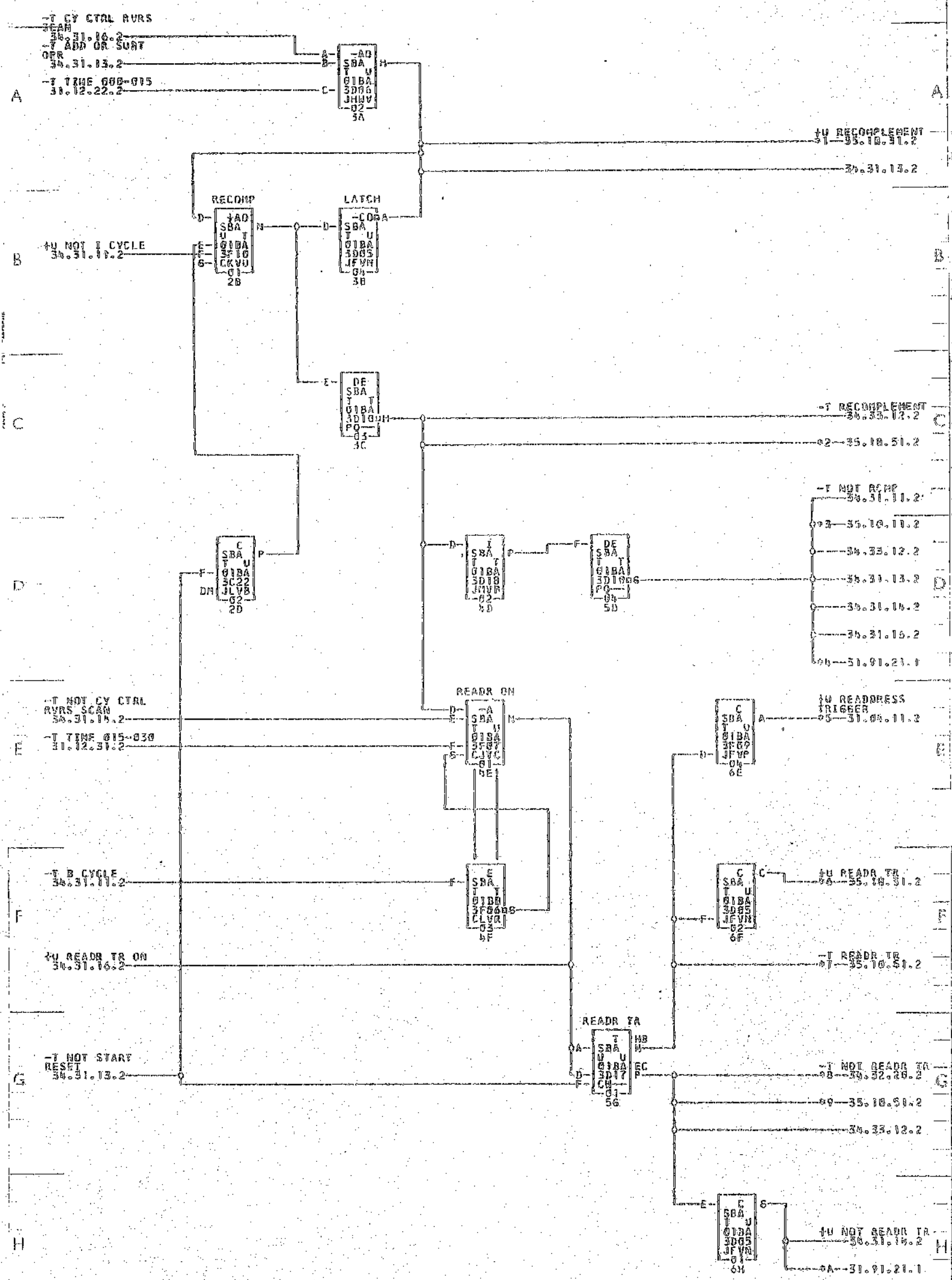


\*1--01B1003K    \*2--01B3F04J    \*3--01B3E03G    \*4--01B3E03P    -----01B2E04P

COMMENTS

TAG	DATE	E.C.NO.	TAG	DATE	E.C.NO.	TAG	DATE	E.C.NO.
A	10-06-62	TA1282A	D	07-09-62	TA1441A	C	04-17-63	TA1771B

IBM

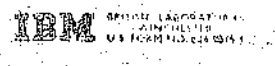


- 01-0103001J
- 02-0103001H
- 03-0103001G
- 04-0103001F
- 05-0103001E
- 06-0103001D
- 07-0103001C
- 08-0103001B
- 09-0103001A
- 10-0103001Z
- 11-0103001Y
- 12-0103001X
- 13-0103001W
- 14-0103001V
- 15-0103001U
- 16-0103001T
- 17-0103001S
- 18-0103001R
- 19-0103001Q
- 20-0103001P
- 21-0103001O
- 22-0103001N
- 23-0103001M
- 24-0103001L
- 25-0103001K
- 26-0103001J
- 27-0103001I
- 28-0103001H
- 29-0103001G
- 30-0103001F
- 31-0103001E
- 32-0103001D
- 33-0103001C
- 34-0103001B
- 35-0103001A
- 36-0103001Z
- 37-0103001Y
- 38-0103001X
- 39-0103001W
- 40-0103001V
- 41-0103001U
- 42-0103001T
- 43-0103001S
- 44-0103001R
- 45-0103001Q
- 46-0103001P
- 47-0103001O
- 48-0103001N
- 49-0103001M
- 50-0103001L
- 51-0103001K
- 52-0103001J
- 53-0103001I
- 54-0103001H
- 55-0103001G
- 56-0103001F
- 57-0103001E
- 58-0103001D
- 59-0103001C
- 60-0103001B
- 61-0103001A
- 62-0103001Z
- 63-0103001Y
- 64-0103001X
- 65-0103001W
- 66-0103001V
- 67-0103001U
- 68-0103001T
- 69-0103001S
- 70-0103001R
- 71-0103001Q
- 72-0103001P
- 73-0103001O
- 74-0103001N
- 75-0103001M
- 76-0103001L
- 77-0103001K
- 78-0103001J
- 79-0103001I
- 80-0103001H
- 81-0103001G
- 82-0103001F
- 83-0103001E
- 84-0103001D
- 85-0103001C
- 86-0103001B
- 87-0103001A
- 88-0103001Z
- 89-0103001Y
- 90-0103001X
- 91-0103001W
- 92-0103001V
- 93-0103001U
- 94-0103001T
- 95-0103001S
- 96-0103001R
- 97-0103001Q
- 98-0103001P
- 99-0103001O
- 100-0103001N

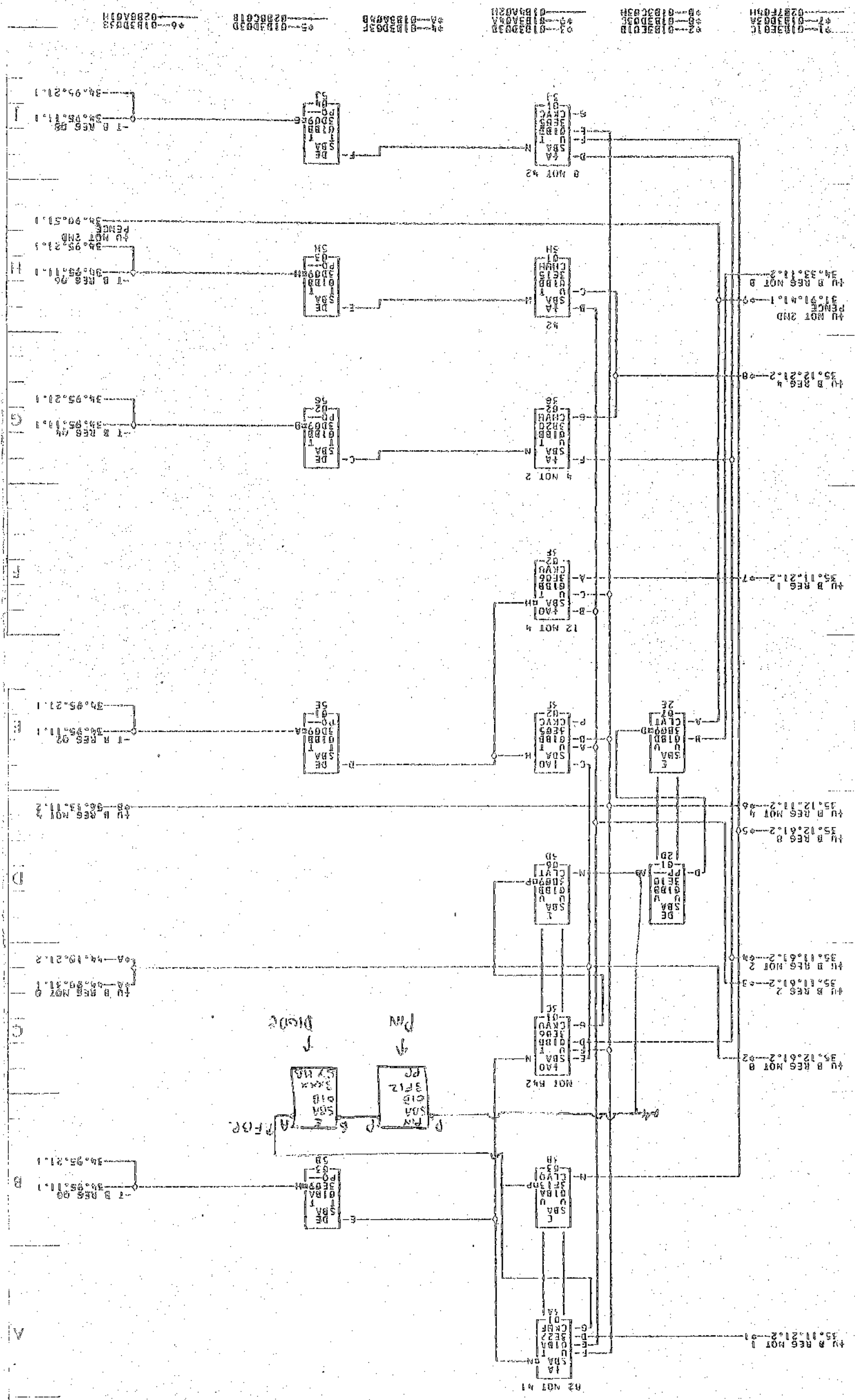
COMMENTS

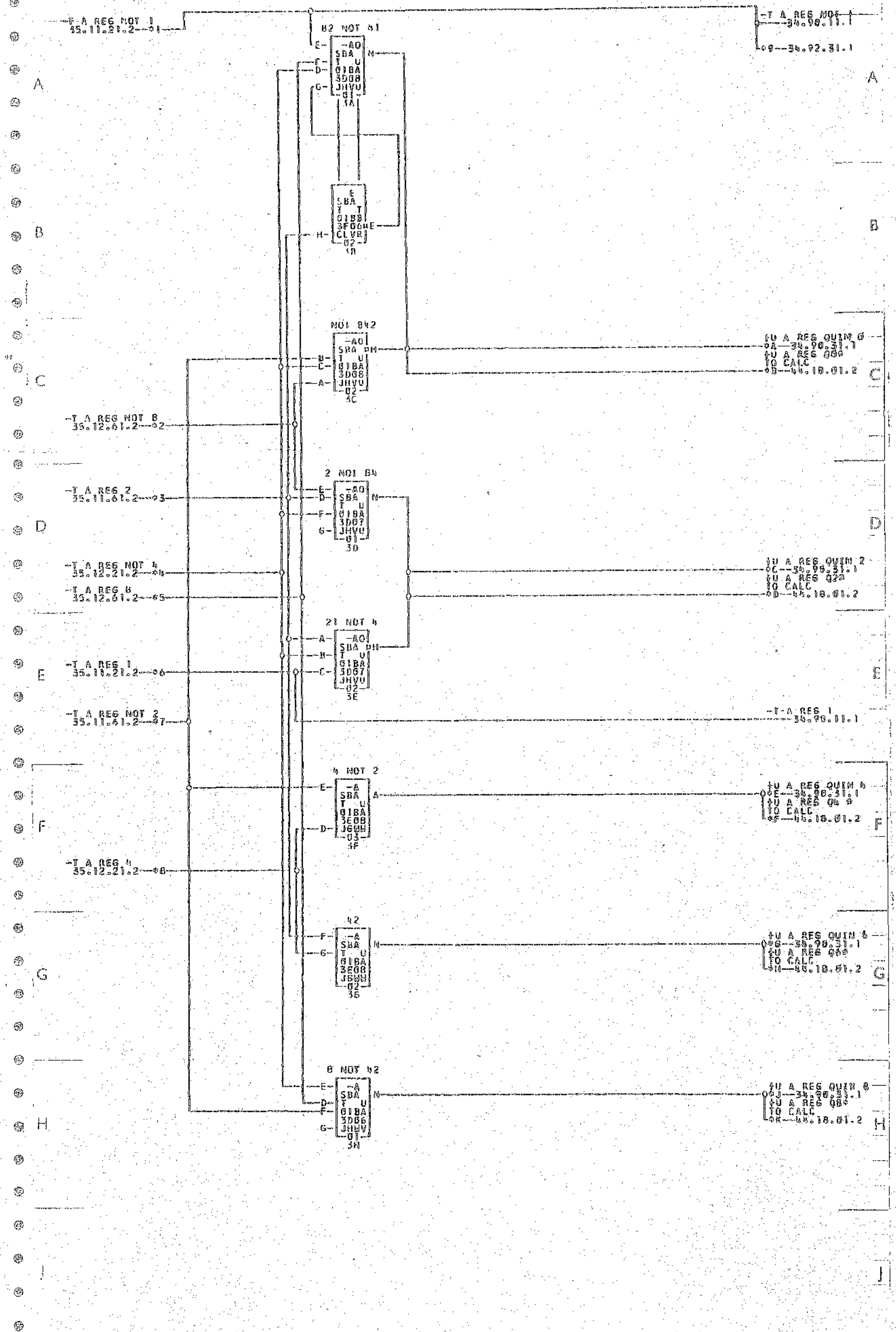
TAG DATE E.C.NO. TAG DATE E.C.NO. TAG DATE E.C.NO. TAG DATE E.C.NO. TAG DATE E.C.NO.

A 06-02-63 FA1607 B 06-17-63 FA1607B



COMMENTS





*1--01B3B01E	*2--01B3B01H	*3--01B3B01B	*4--01B3B01G	*5--01B3B01D	*6--01B3B01A
*7--01B3B01F	*8--01B3B01C	*9--01B3B01B	*0--01B3B01E	*1--01B3B01D	*2--01B3B01A
*E--01B3B01C	*F--01B3B01C	*C--01B3B01B	*D--01B3B01E	*E--01B3B01D	*F--01B3B01A
*D--01B3B01E	*A--01B3B01C	*B--01B3B01B	*K--01B3B01E	*L--01B3B01D	*M--01B3B01A
	*2A--02A7F26A				
	*F--01B3B01C				
	*2A--02A7F26D				

COMMENTS: WHEN CALCULATE OPTION IS NOT ON MACHINE C/A B C D E ARE JUMPED TO C/A B C D E RESPECTIVELY THROUGH AN FDGC CONNECTOR CABLE

TAG	DATE	E.C.NO.	TAG	DATE	E.C.NO.	TAG	DATE	E.C.NO.	TAG	DATE	E.C.NO.
A	05-02-63	TA1507	B	04-17-63	TA1507B						

A

B

C

D

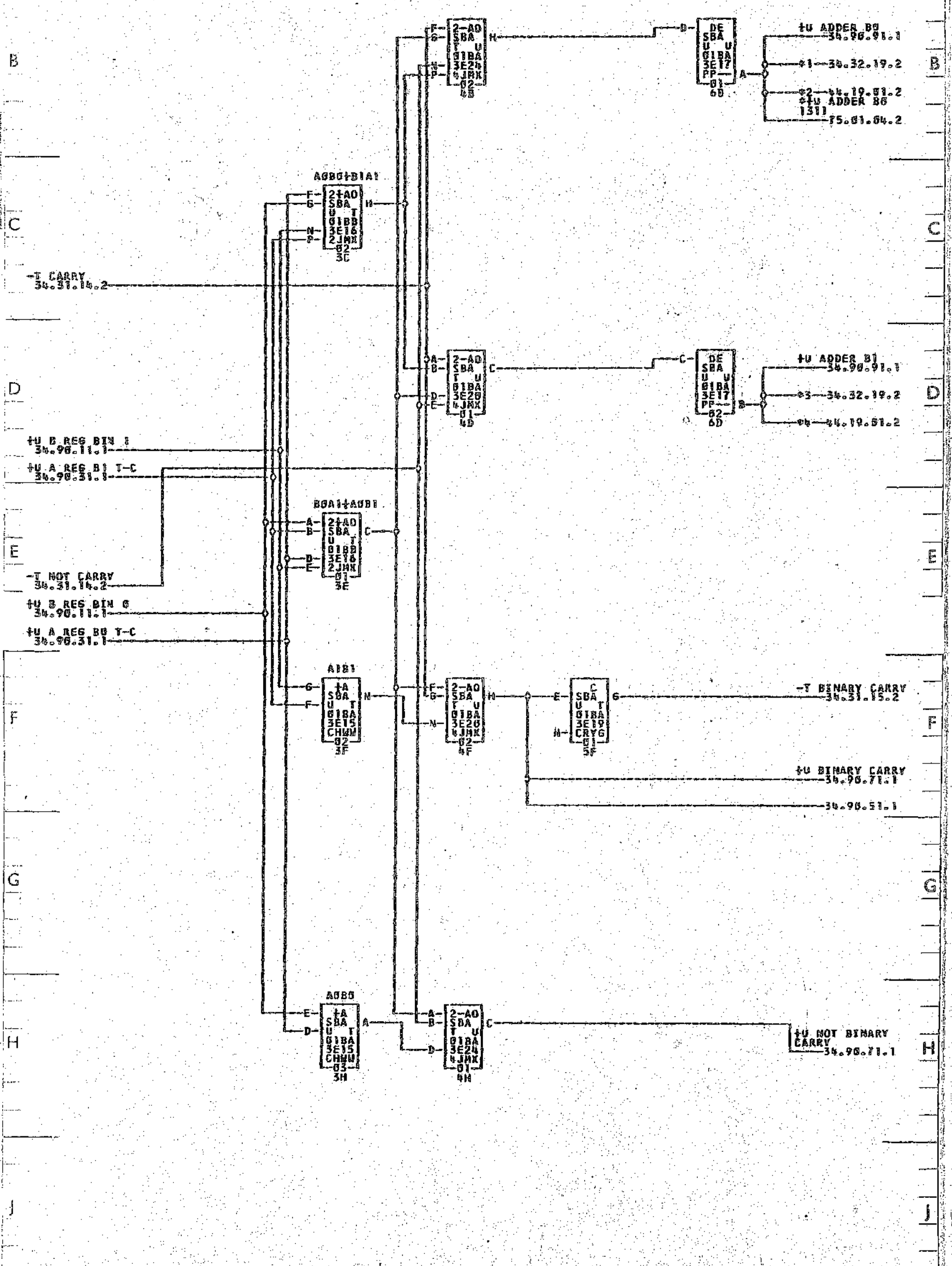
E

F

G

H

J



\*1-0183E06A      \*4-0186F01A      \*2-0183C82A      \*2A0F056      \*2A7E25J      \*3-0183E04B  
 0186F01B      \*4-0183C92K      02A9F076      02A7E25K

4U ARITH 1  
DISPLAY  
36.90.91.1

4U ARITH 1  
DISPLAY  
01-37.20.11.2

4U ARITH 2  
DISPLAY  
36.90.91.1

4U ARITH 2  
DISPLAY  
02-37.20.11.2

4U ARITH 4  
DISPLAY  
36.90.91.1

4U ARITH 4  
DISPLAY  
03-37.20.11.2

4U ARITH 8  
DISPLAY  
36.90.91.1

4U ARITH 8  
DISPLAY  
04-37.20.11.2

-T ARITH 1  
36.90.91.1

-T ARITH 1  
05-41.51.21.2

-T ARITH 2  
36.90.91.1

-T ARITH 2  
06-41.51.21.2

-T ARITH 4  
36.90.91.1

-T ARITH 4  
07-41.51.21.2

-T ARITH 8  
36.90.91.1

-T ARITH 8  
08-41.51.21.2

-T ARITH C  
DIGIT  
36.90.91.1

-T ARITH C  
DIGIT  
09-41.51.21.2

01-0187F03  
02-0187F04  
03-0187F05  
04-0187F06  
05-0187F07

01A2A10C  
01A2A10E  
02B6C02B  
02B6C02D

02-0187F08  
03-0187F09  
04-0187F10  
05-0187F11

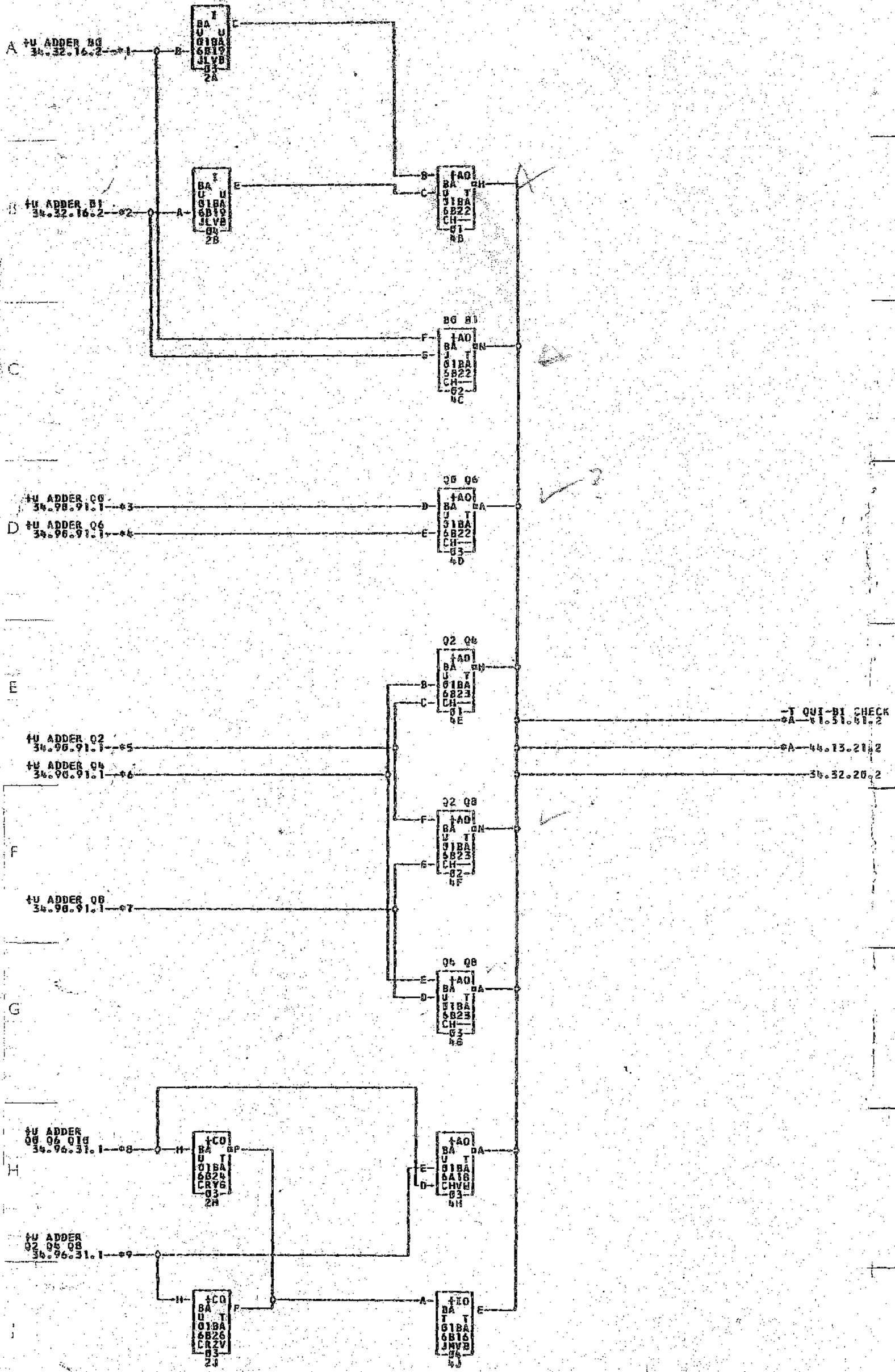
01A2A10D  
02A9C09C  
02A9E13C  
02ADE17C

03-0187F12  
04-0187F13  
05-0187F14  
06-0187F15

01A2A10E  
06-01E10C3B  
08-01E3603D

CORPENYS

TAG DATE	E.C.NO.	TAG DATE	E.C.NO.	TAG DATE	E.C.NO.	TAG DATE	E.C.NO.
A 18-06-62	TA1282A	B 17-10-62	TA1461E				



- \*1--0186F01A  
\*7--0186F01E  
\*286A83P
- \*2--0186F01B  
\*8--0186F01H
- \*3--0186F01C  
\*9--0186F01J
- \*4--0186F01F  
\*A--0186F03J
- \*5--0186F01D  
\*2A9D11D
- \*6--0186F01E  
\*6287E82A

COMMENTS

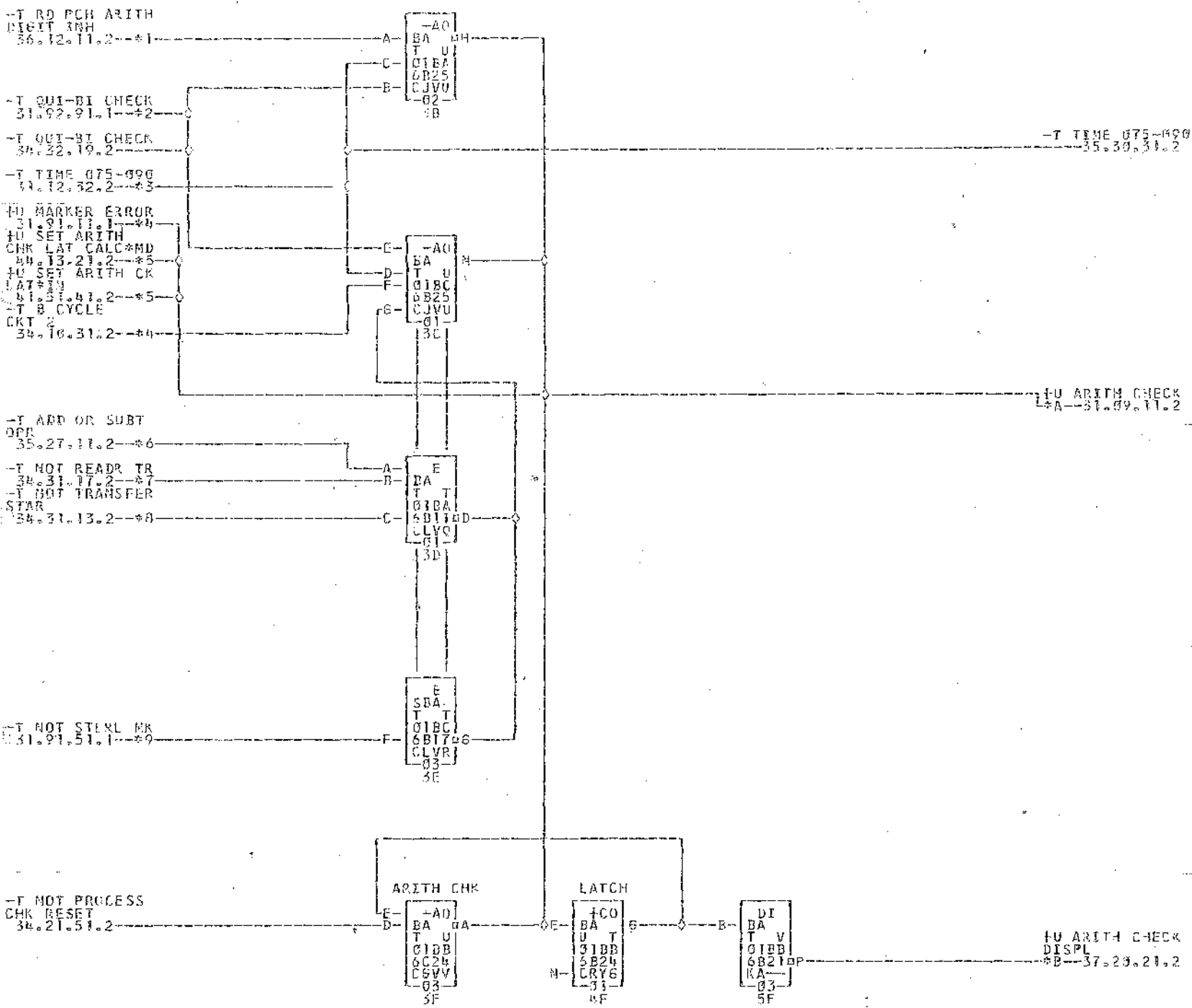
TAG	DATE	E.C. NO.	TAG	DATE	E.C. NO.	TAG	DATE	E.C. NO.	TAG	DATE	E.C. NO.
A	18-06-62	FAT282A	B	06-17-63	FAT1710						

ORIGINAL MANUFACTURED BY  
 U.S. GOVERNMENT PRINTING OFFICE: 1963 O-101511

07180



34, 38, 20, 2



\*1--01B6A0C1  
\*7--01B6F31M

\*2--01B6A04N  
\*8--01B6F01K

\*3--01B6C01X  
\*9--01B6A04F

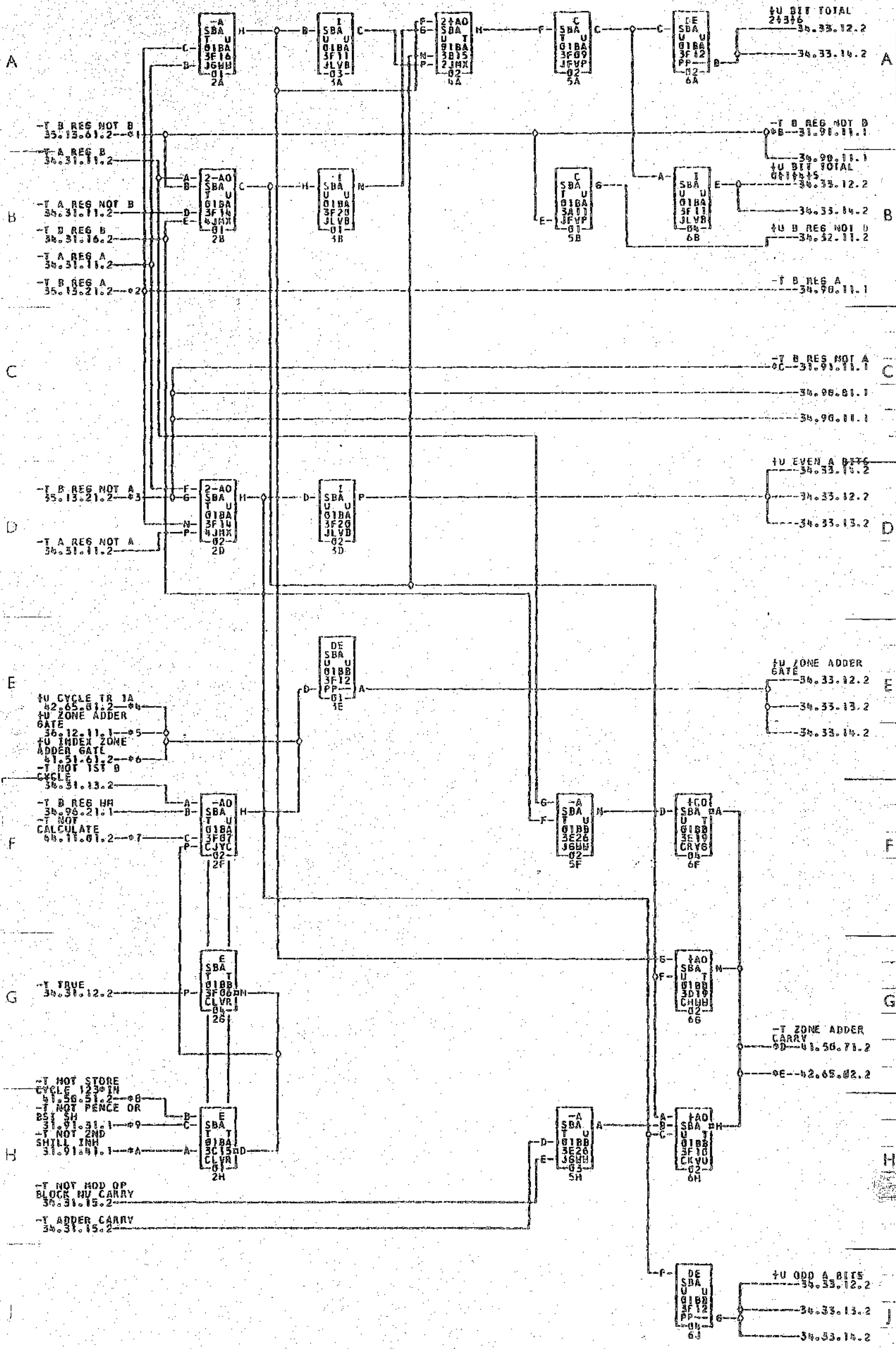
\*4--01B6A04G  
\*A--01B6E01L

\*5--01B6F03L  
\*B--01B6A02N

\*6--01B6F01L

COMMENTS

FAI. DATE	E.C.NO.	TAI. DATE	E.C.NO.	TAI. DATE	E.C.NO.	TR. DATE	E.C.NO.
A 12-26-52	TA1287A	B 04-17-53	TA1771B	C 11-16-53	TA1988		



- \*1--01B3D83H
- \*2--01B3D83J
- \*3--01B3D83K
- \*4--01B3D83L
- \*5--01B3D83M
- \*6--01B3D83N
- \*7--01B3D83O
- \*8--01B3D83P
- \*9--01B3D83Q
- \*A--01B3D83R
- \*B--01B3D83S
- \*C--01B3D83T
- \*D--01B3D83U
- \*E--01B3D83V
- \*F--01B3D83W
- \*G--01B3D83X
- \*H--01B3D83Y
- \*I--01B3D83Z
- \*J--01B3D83AA

COMMENTS

TAG DATE E.C.NO. A 04-02-63 TA1607

TAG DATE E.C.NO. B 04-17-63 TA1607B

TAG DATE E.C.NO. TAG DATE E.C.NO.

TAG DATE E.C.NO. TAG DATE E.C.NO.

IBM

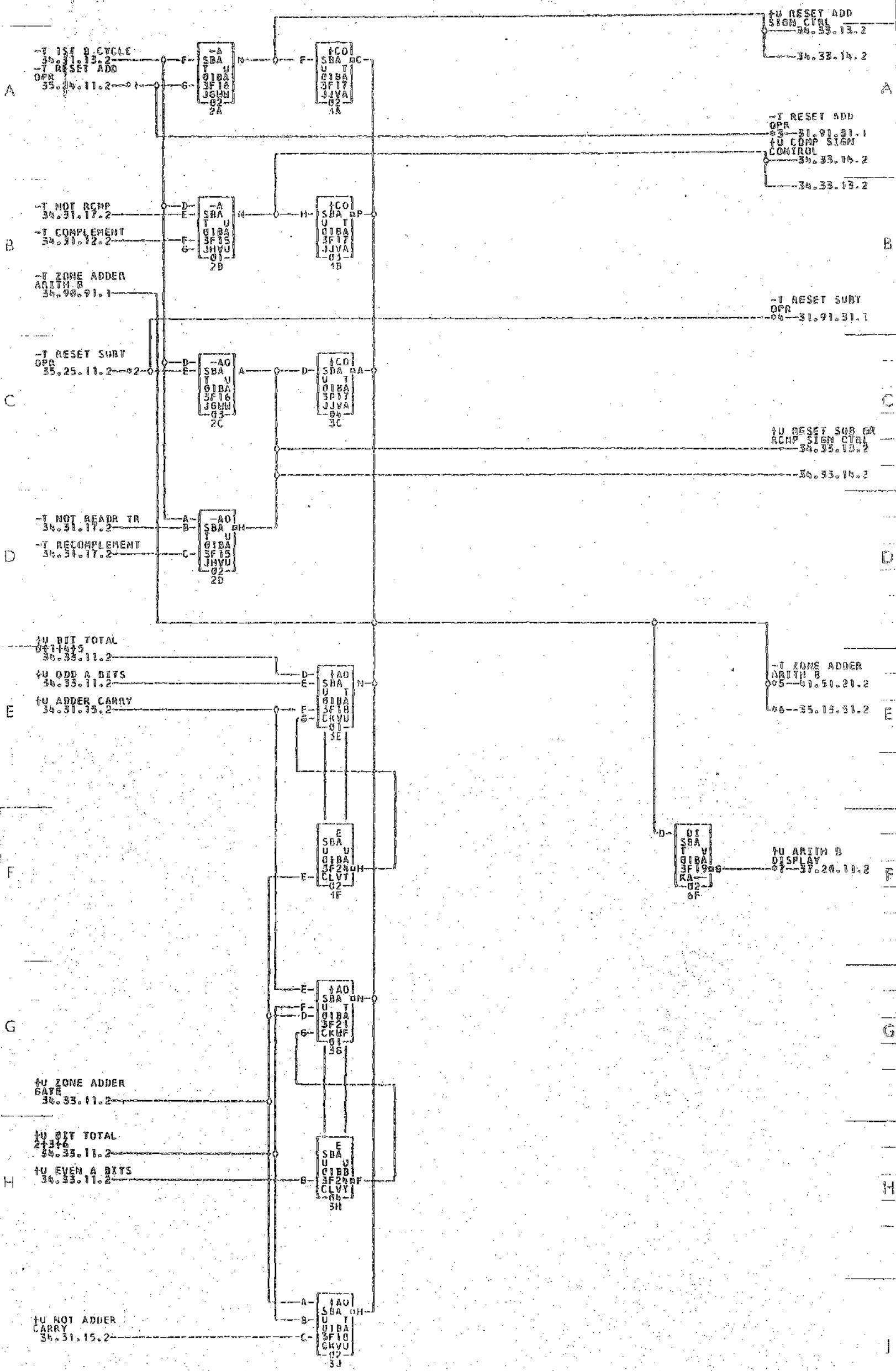
Handwritten notes and markings on the right side of the page.

07B9950

### SIGN CONTROL AND 8 BIT ZONE ADDER

1401SBA

35.33.12.2



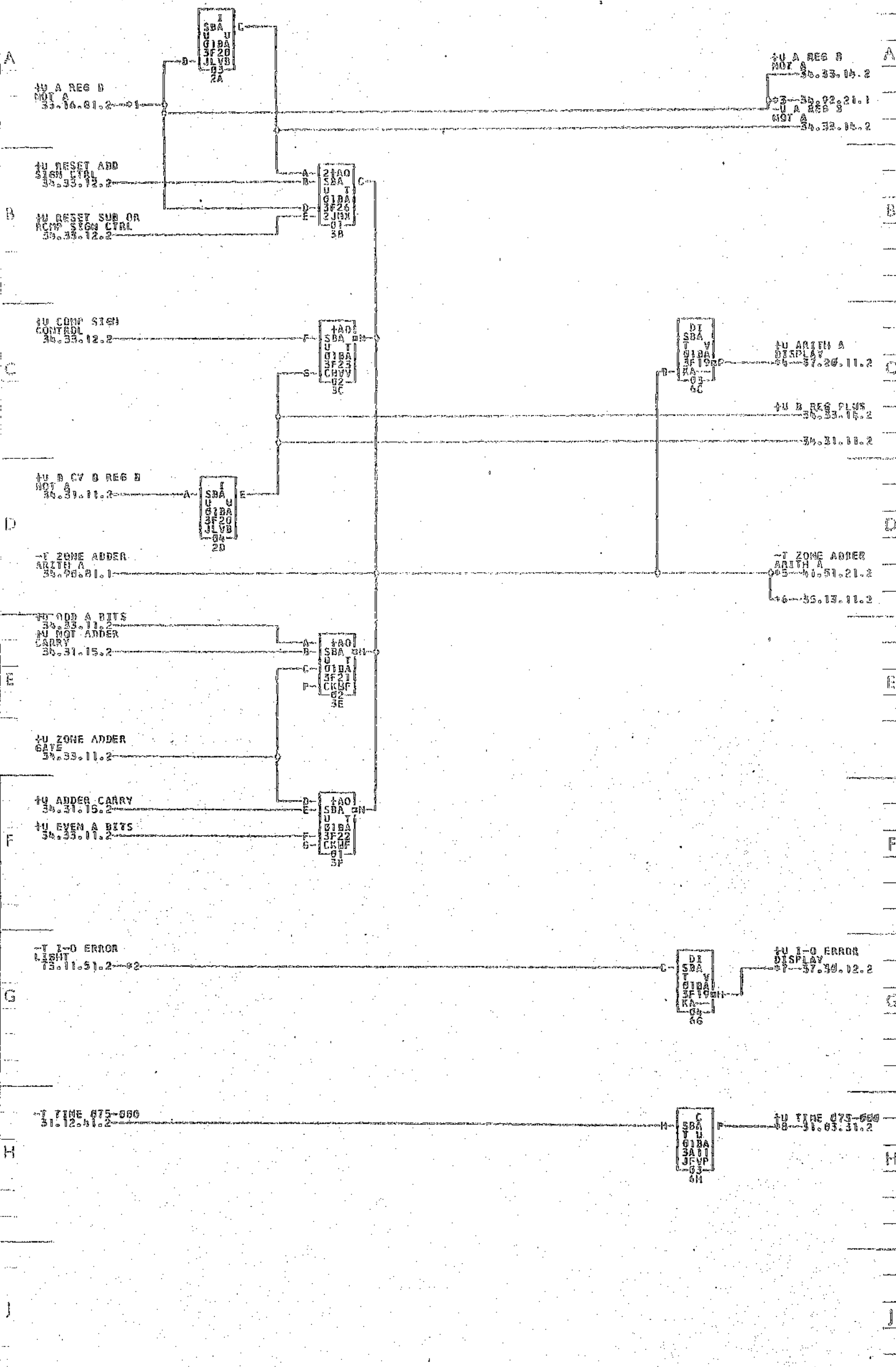
COMMENTS

TAG DATE E.C.NO. TAG DATE E.C.NO. TAG DATE E.C.NO. TAG DATE E.C.NO.

A 09-22-63 FACTORY

B 09-17-63 TAT&OFR

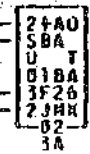
15950



- 01-010300IN
- 02-0103002E
- 03-0103002H
- 04-0103002M
- 05-0103002N
- 06-0103002P
- 07-0103002Q
- 08-0103002R
- 09-0103002S
- 10-0103002T
- 11-0103002U
- 12-0103002V
- 13-0103002W
- 14-0103002X
- 15-0103002Y
- 16-0103002Z

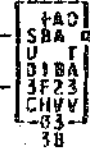
6795897  
 34.33.13.2  
 1401SBA

+U A REG B  
 VOT A  
 36.33.13.2  
 +U RESET SUB OR  
 RCHP SIGN CTRL  
 36.33.12.2  
 -U A REG B  
 VOT A  
 36.33.13.2  
 +U RESET ADD  
 SIGN CTRL  
 36.33.12.2



-T ZONE ADDER  
 ARITH C  
 36.90.91.1

+U COMP SIGN  
 CONTROL  
 36.33.12.2  
 +U B REG PLUS  
 36.33.13.2



+U BIT TOTAL  
 011415  
 36.33.11.2  
 +U NOT ADDER  
 CARRY  
 36.31.15.2

+U EVEN A BITS 36.33.11.2



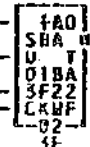
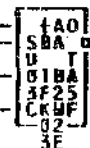
-T ZONE ADDER  
 ARITH C2  
 01-01.51.21.2  
 02--35.15.11.2



+U ZONE ADDER  
 GATE  
 36.33.11.2  
 +U ODD A BITS  
 36.33.11.2

+U BIT TOTAL  
 21346  
 36.33.11.2

+U ADDER CARRY 36.31.15.2



01-0103873N

02A0F03C

02B0C02H

01B3D016

01A3C25G

COMMENTS

TAG DATE E.C.NO. TAG DATE E.C.NO. TAG DATE E.C.NO. TAG DATE E.C.NO.  
 A 15-06-62 TA1282A B 04-17-63 TA1771B

-T CLEAR B  
FIELD CALC  
46.11.01.2--01

-T CLEAR B  
FIELD CALC  
07-35.30.31.2

A

A

+U NOT RUN  
37.38.11.2--02

+U NOT RUN  
09-70.11.01.1

B

B

+U ADDRESS MOD  
OPR  
46.02.02.2--03

+U ADDRESS MOD  
OPR  
09-42.05.01.1

C

C

D

D

E

E

+U INHIBIT CHR  
DISPLAY  
35.17.71.2--04

+U INHIBIT CHR  
DISPLAY  
0A-37.29.21.2

F

F

+U MULTIPLY OPR  
46.10.91.2--05

+U MULTIPLY OPR  
0B-46.10.11.2

G

G

+U DIVIDE OPR  
46.10.91.2--06

+U DIVIDE OPR  
0C-46.10.11.2

H

H

J

J

\*1--01B3B0BF  
\*7--01B3E000  
\*C--01B3B04J

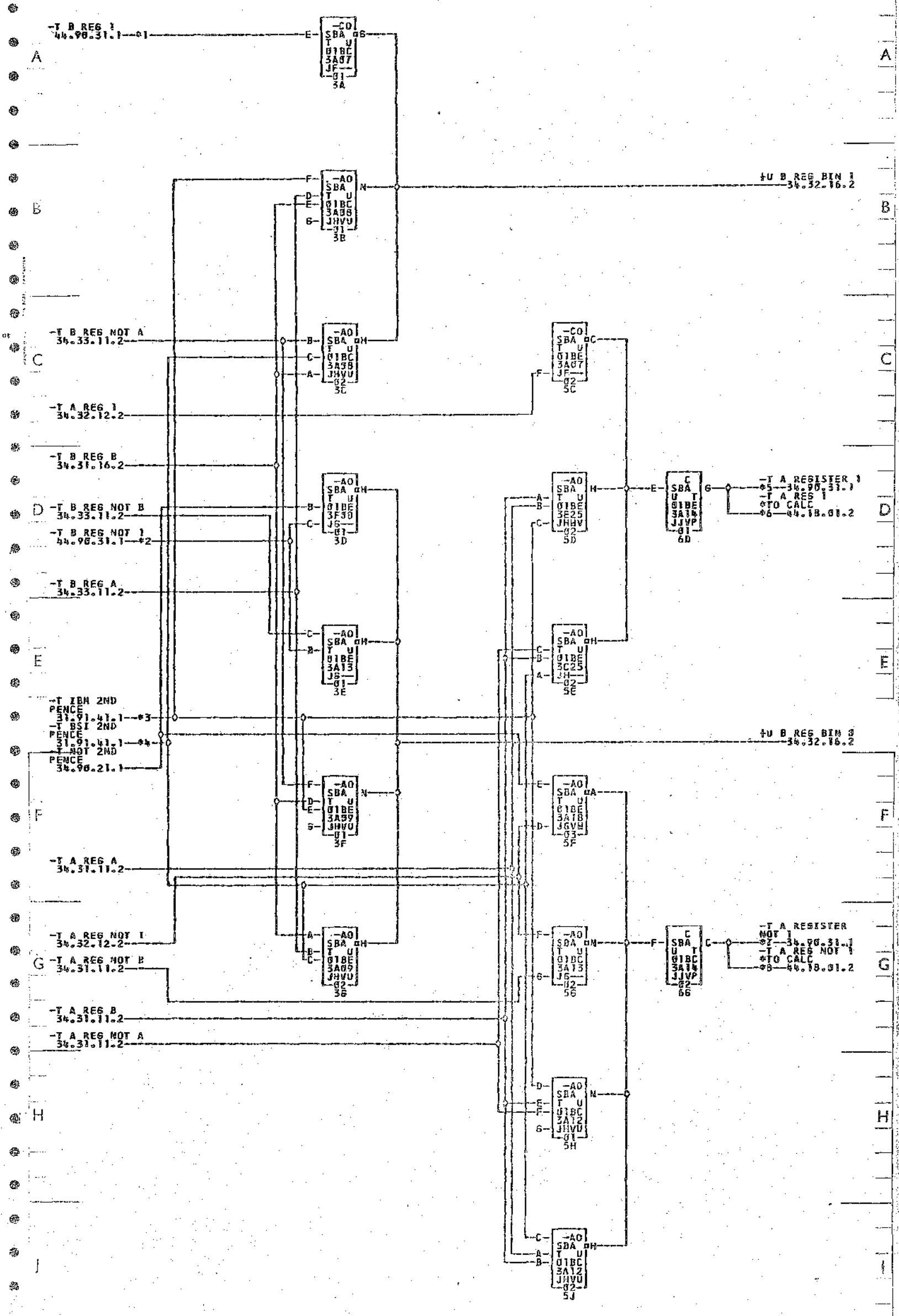
\*2--01B3F02K  
\*A--01B3F02B  
\*2A9F85E

\*3--01B3D02R  
\*8--01B3A01J  
\*1A2A18D  
\*2B1B02J

\*4--01B3E01P  
\*D--01B3E04H

\*5--01B3D02H  
\*2A2B28K  
\*2A9F03E

\*6--01B3D02J  
\*9--01B3F03H  
\*2B7B02H



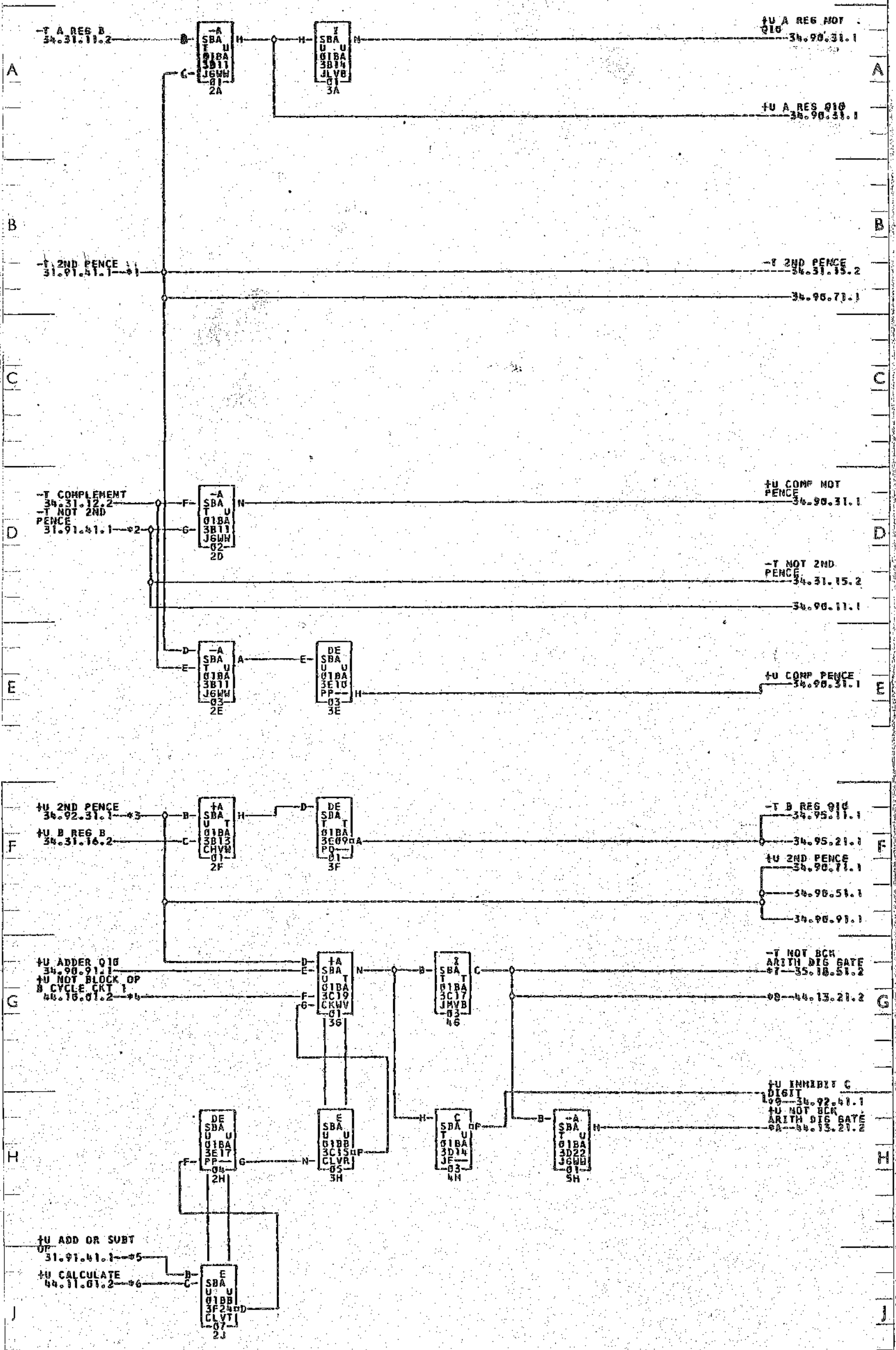
- \*1--0183F040      \*2--0183F04R      \*3--0183A040      \*4--0183A04P      \*5--0183C01F      \*6--0183C01F
- 02A9E19F        02A7E26F        01B3C015        01B3C015        02A9F03F        02A7E266

WHEN CALCULATE OPTION IS NOT ON MACHINE COMMENTS      TAB DATE      E.C. NO.      TAB DATE      E.C. NO.      TAB DATE      E.C. NO.      TAB DATE      E.C. NO.

C01 F G ARE JUMPED TO      A 18-06-62      TA1202A      B 05-09-62      TA13706      C 07-09-62      TA1601A      D 05-11-62      TA17718

C02 F G RESPECTIVELY      THROUGH AN EDGE CONNECTOR CABLE

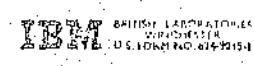
U.S. AIR FORCE RESEARCH AND DEVELOPMENT COMMAND      WRIGHT-PATTERSON AIR FORCE BASE      WINCHESTER, OHIO



- \*1--01B3A04R
- \*2--01B3D04A
- \*3--01B3D04B
- \*4--01B3B04D
- \*5--01B3A04M
- \*6--01B3B04G
- \*7--01B3B04H
- \*8--01B3B04M
- \*9--01B3A04C
- \*10--02B7B02D
- \*11--DIRECT
- \*12--01B3A04M
- \*13--01A3C21B
- \*14--02B7B02N

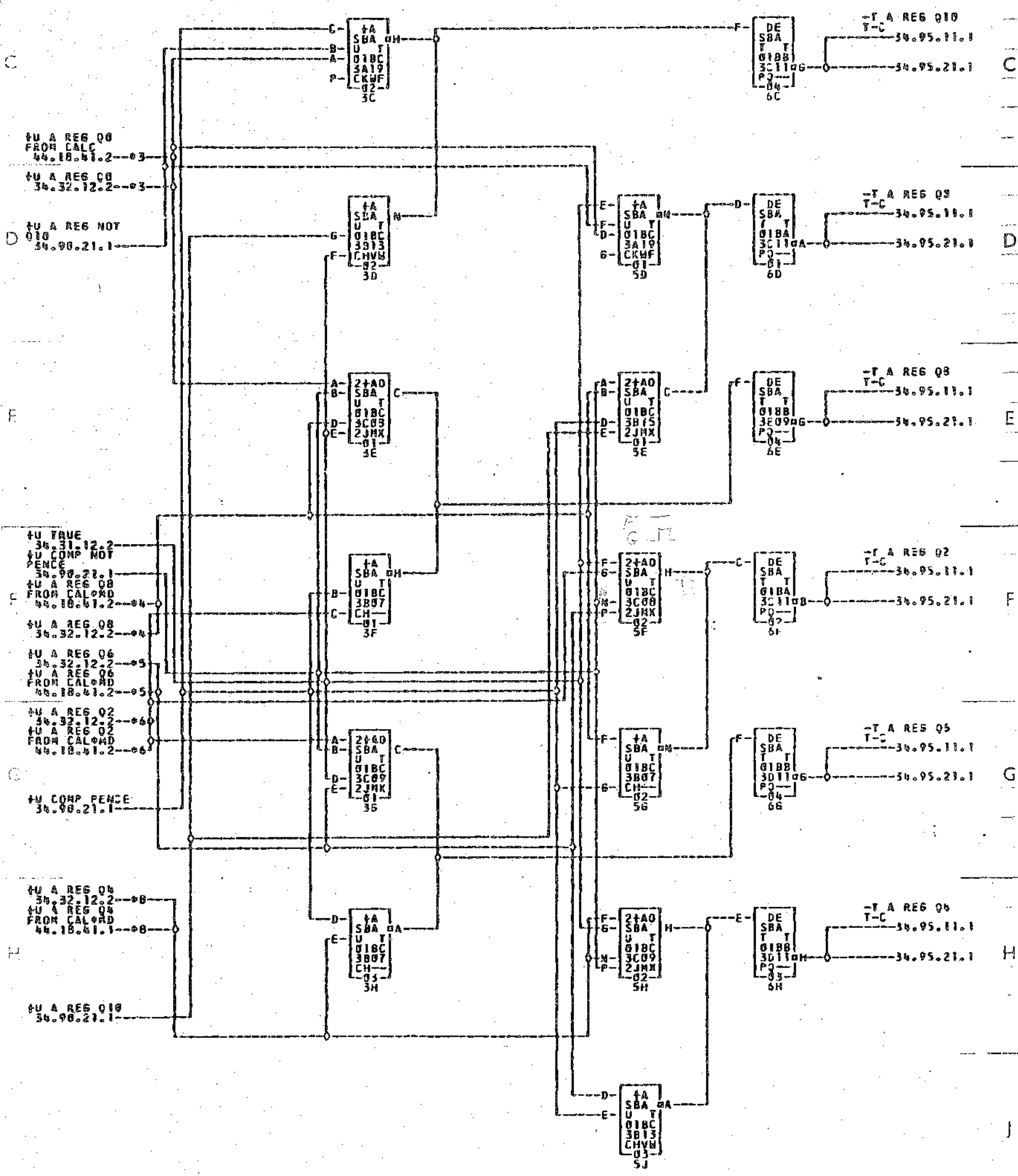
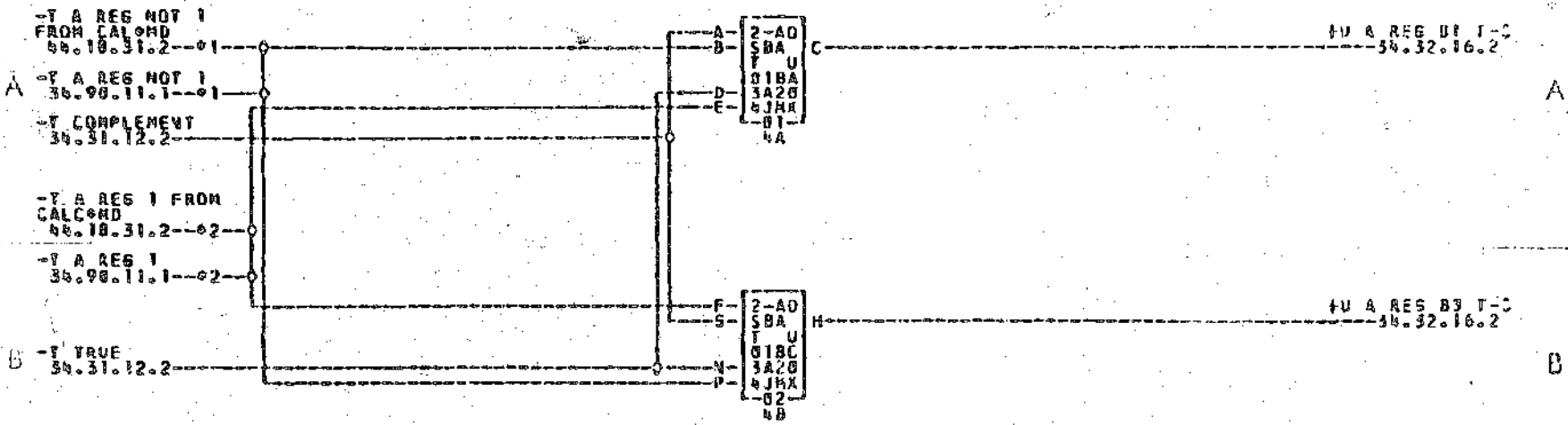
COMMENTS TAG DATE E.C.NO. TAG DATE E.C.NO. TAG DATE E.C.NO. TAG DATE E.C.NO.

A 04-02-63 TA1607 B 04-17-63 TA1607B

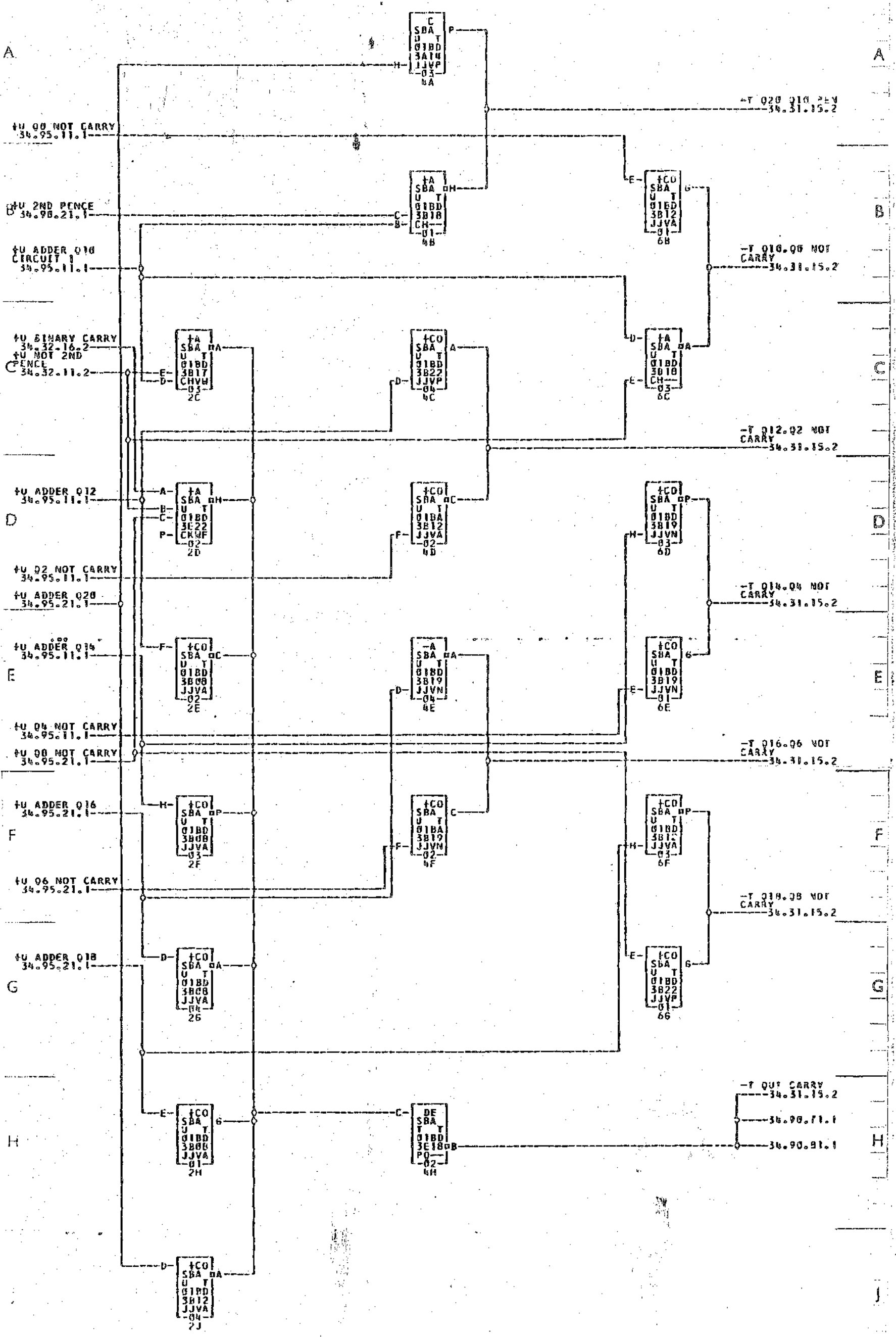


1607 B





- 01--01B3C02G
- 02--01B3C02F
- 03--01B3C02A
- 04--01B3C02E
- 05--01B3C02D
- 06--01B3C02B



COMMENTS

TAG	DATE	E.C. NO.	TAG	DATE	E.C. NO.	TAG	DATE	E.C. NO.	TAG	DATE	E.C. NO.
A	11-22-62	TA1282A	B	11-09-62	TA13706	C	07-09-62	TA14714	D	04-24-62	TA17716

LEN

A

A

B

B

C

C

D

D

E

E

F

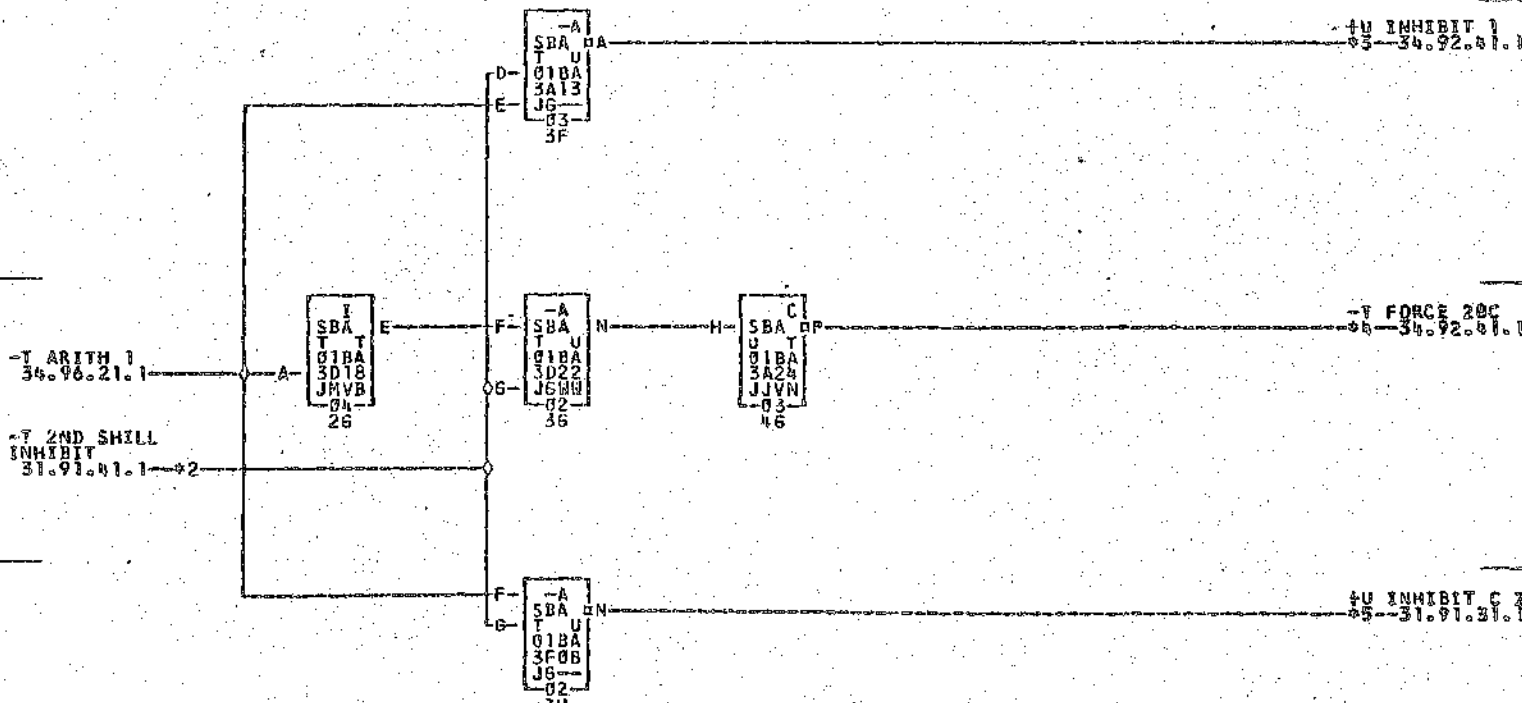
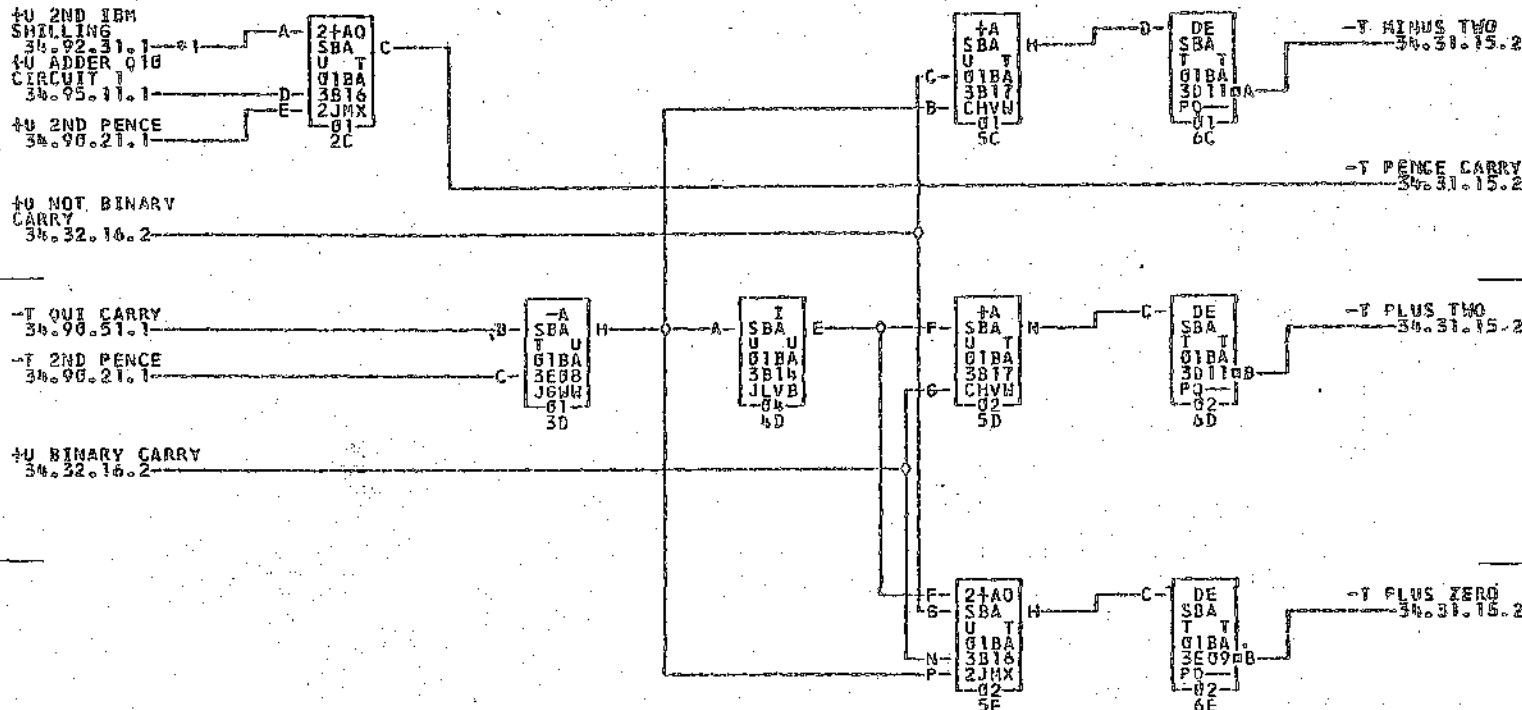
F

G

G

H

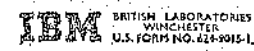
H



- \*1--01B3D04D 05--01B3D04H
- \*2--01B3D04E 02B8B01H
- \*3--01B3D04F 02B8B01F
- \*4--01B3D04G 02B8B01G

COMMENTS TAG DATE E.C.NO. TAG DATE E.C.NO. TAG DATE E.C.NO. TAG DATE E.C.NO.

A 04-02-63 TA1607 B 04-17-63 TA1607B



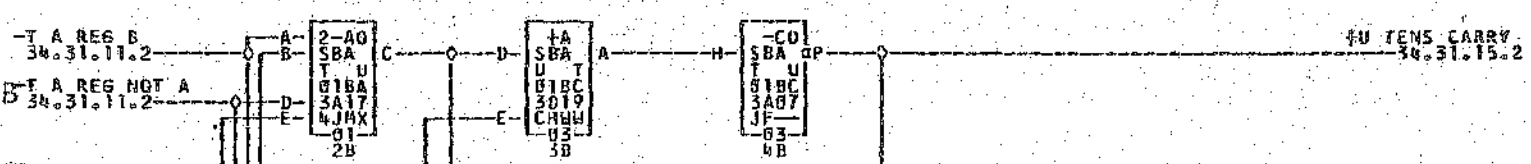
BRITISH LABORATORIES WIMBORNE U.S. FORM NO. 42-7015-1

100158A 1607

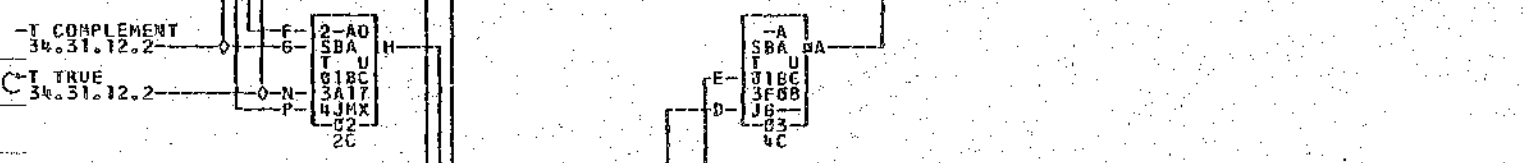
34.90.81

A

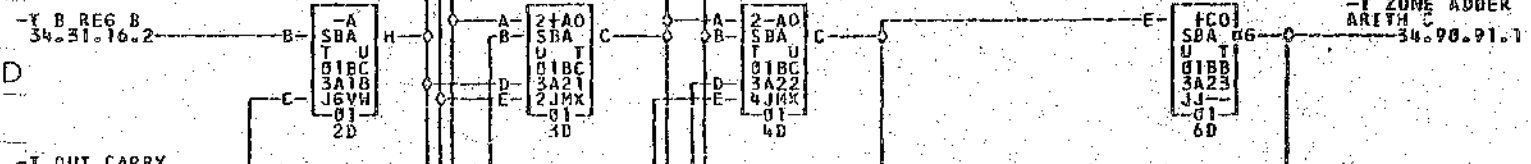
A



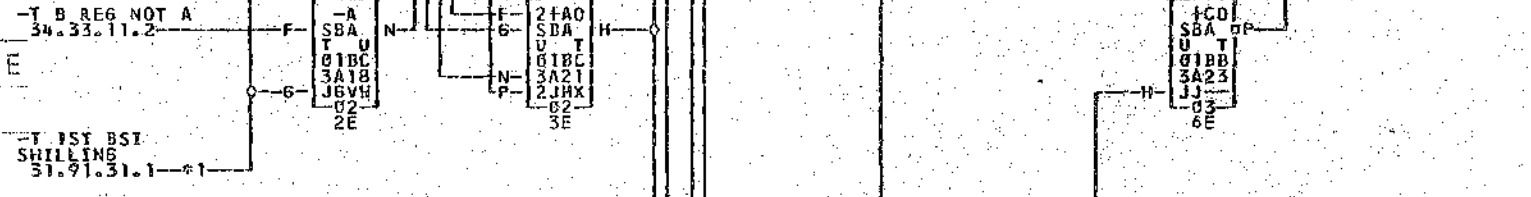
B



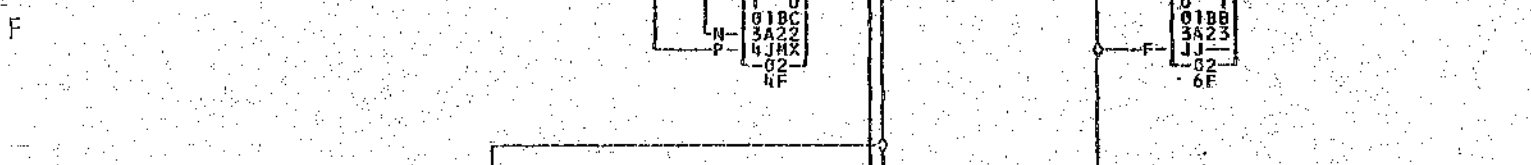
C



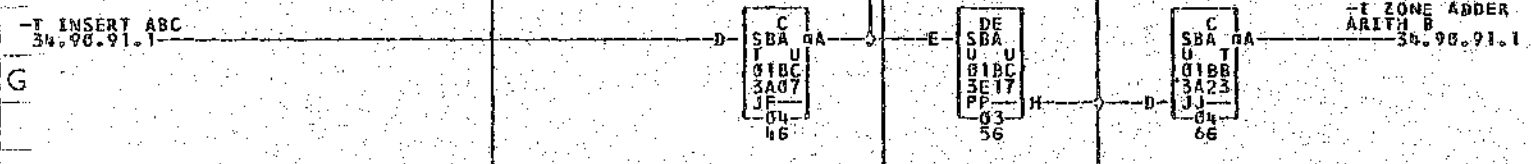
D



E



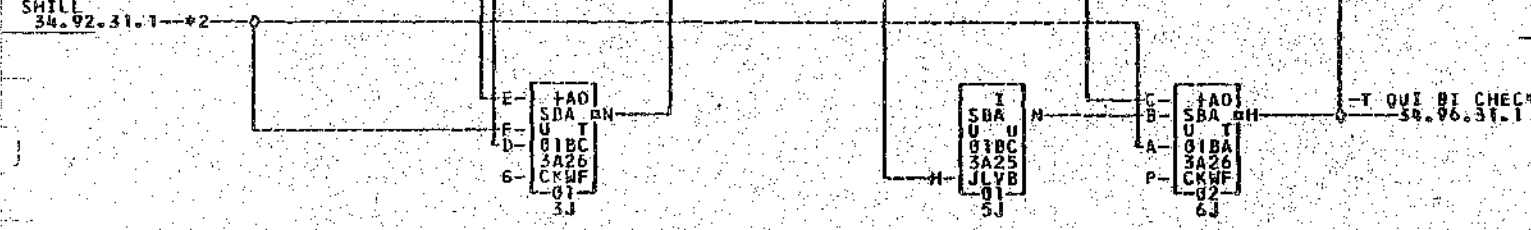
F



G



H



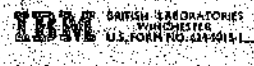
I

\*1--01B3D04J \*2--01B3D04K

COMMENTS

TAG DATE E.C.NO TAG DATE E.C.NO TAG DATE E.C.NO TAG DATE E.C.NO

A 18-06-62 FA1282A 1D 07-09-62 FA1401A C 04-17-63 FA1277B

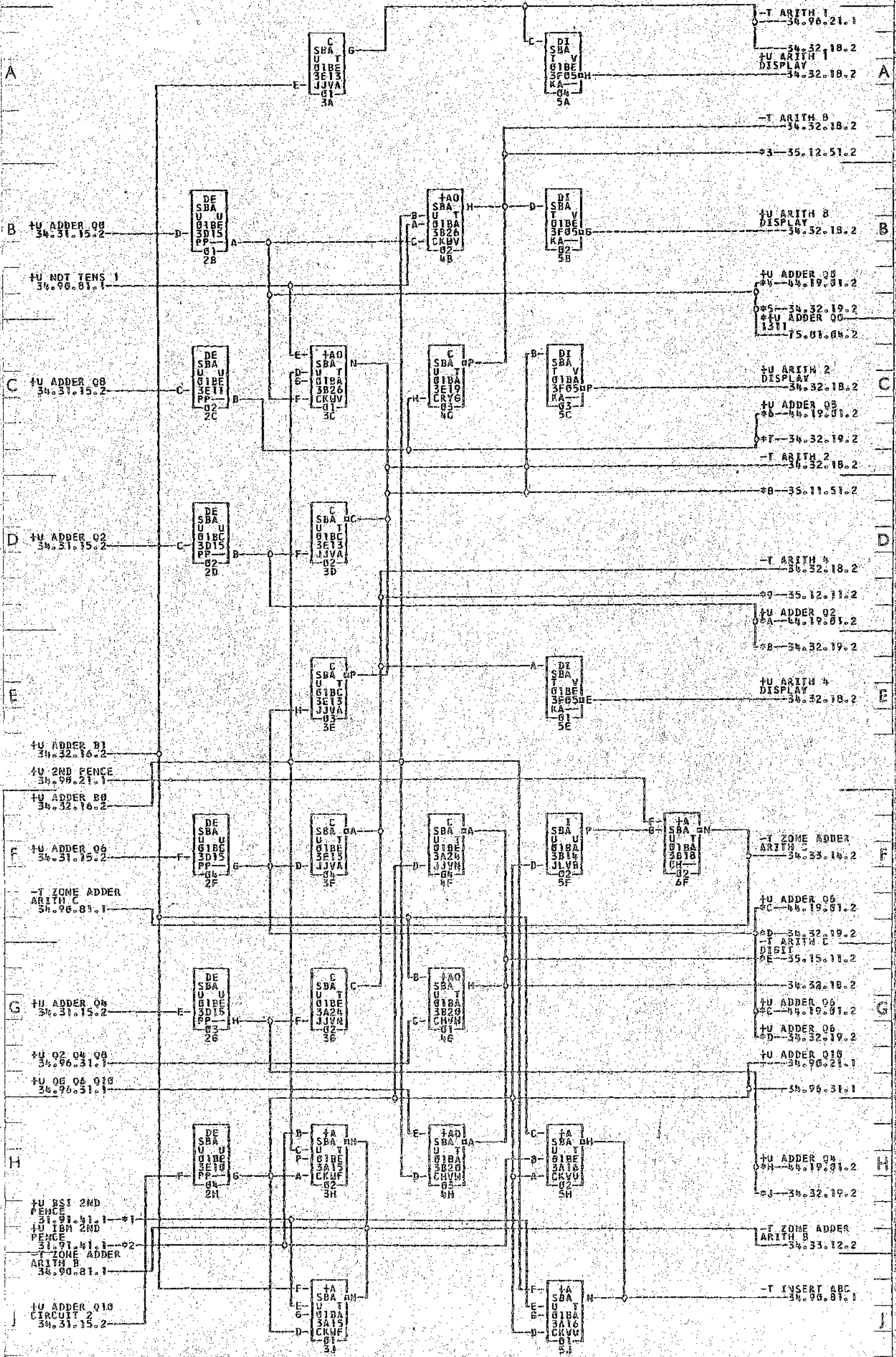


6794118

TRANSLATE AND CHECK DIGIT

148158A

34.98.91.1



\*1-01B3F05D  
 02A7E26J  
 01B3E04G  
 01B3C01K  
 02A9F11F  
 01B3C01L

\*2-01B3F05F  
 01B3E04C  
 01B6F01G  
 02A9F07F  
 02A7E26H  
 02A9F09F

\*3-01B3D01A  
 01B6F01C  
 01B3D01C  
 02A7E26K  
 01B3E04F  
 02A7E26L

\*4-01A3C25A  
 01B3C01G  
 01A3C25B  
 01B3E04D  
 01B3E04E  
 01B3E04E

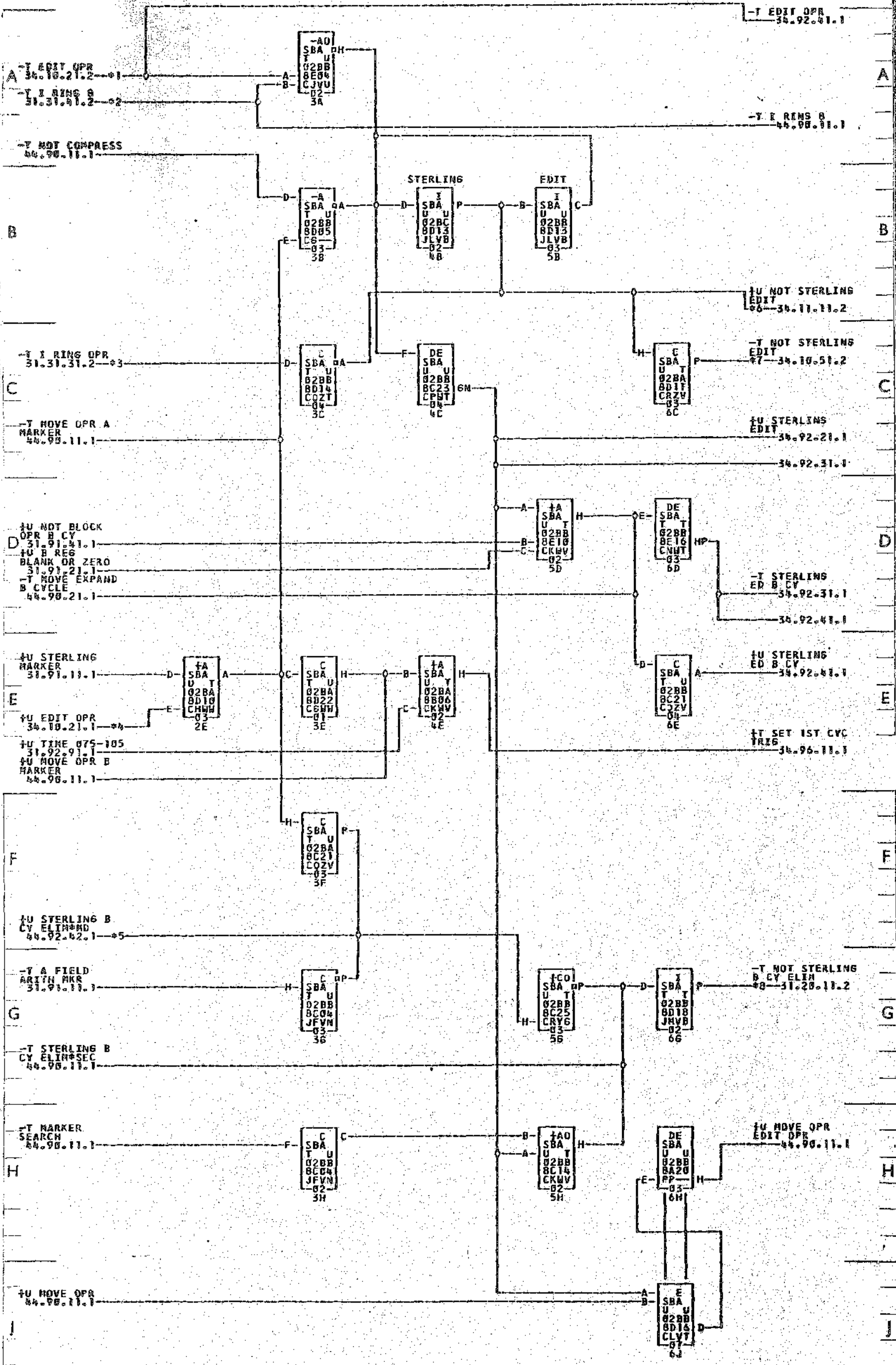
\*5-01B3C01J  
 02A9F17F  
 01B3D01B  
 01B6F01D  
 01B3D01H  
 01B6F01E

\*6-02A9F05F  
 02A7E26Q  
 01A3C25D  
 01B3C01M  
 01A3C25L

COMMENTS  
 NOTE ASTERISK PRECEDING SIGNAL  
 INDICATES DIRECT CABLE EXPANSION

TAG DATE E.C. NO. TAG DATE E.C. NO. TAG DATE E.C. NO. TAG DATE E.C. NO.  
 18-06-62 TA1802A 01-08-62 TA15706 07-09-62 TA1841A 17-10-62 TA1841A  
 04-17-62 TA1771A

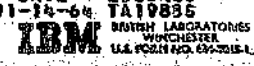
Handwritten notes and markings on the right side of the page, including a large 'X' and some illegible text.



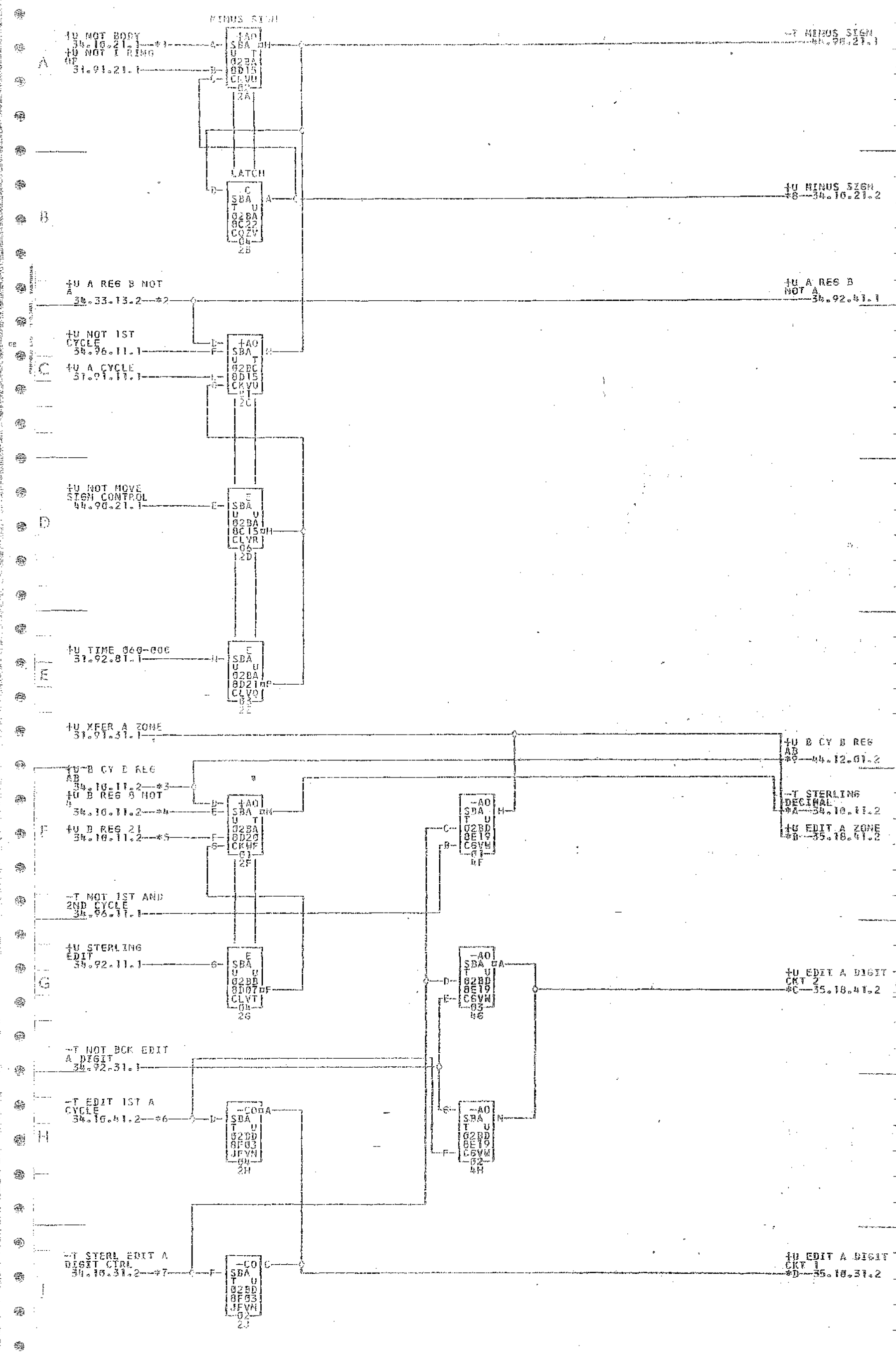
\*1-028804A DIRECT \*5-0186026A \*2-0288020 \*3-028802P \*4-0288018E  
 DIRECT \*6-028802E \*7-028802D  
 \*8-0288018P DIRECT \*9-018603E

COMMENTS

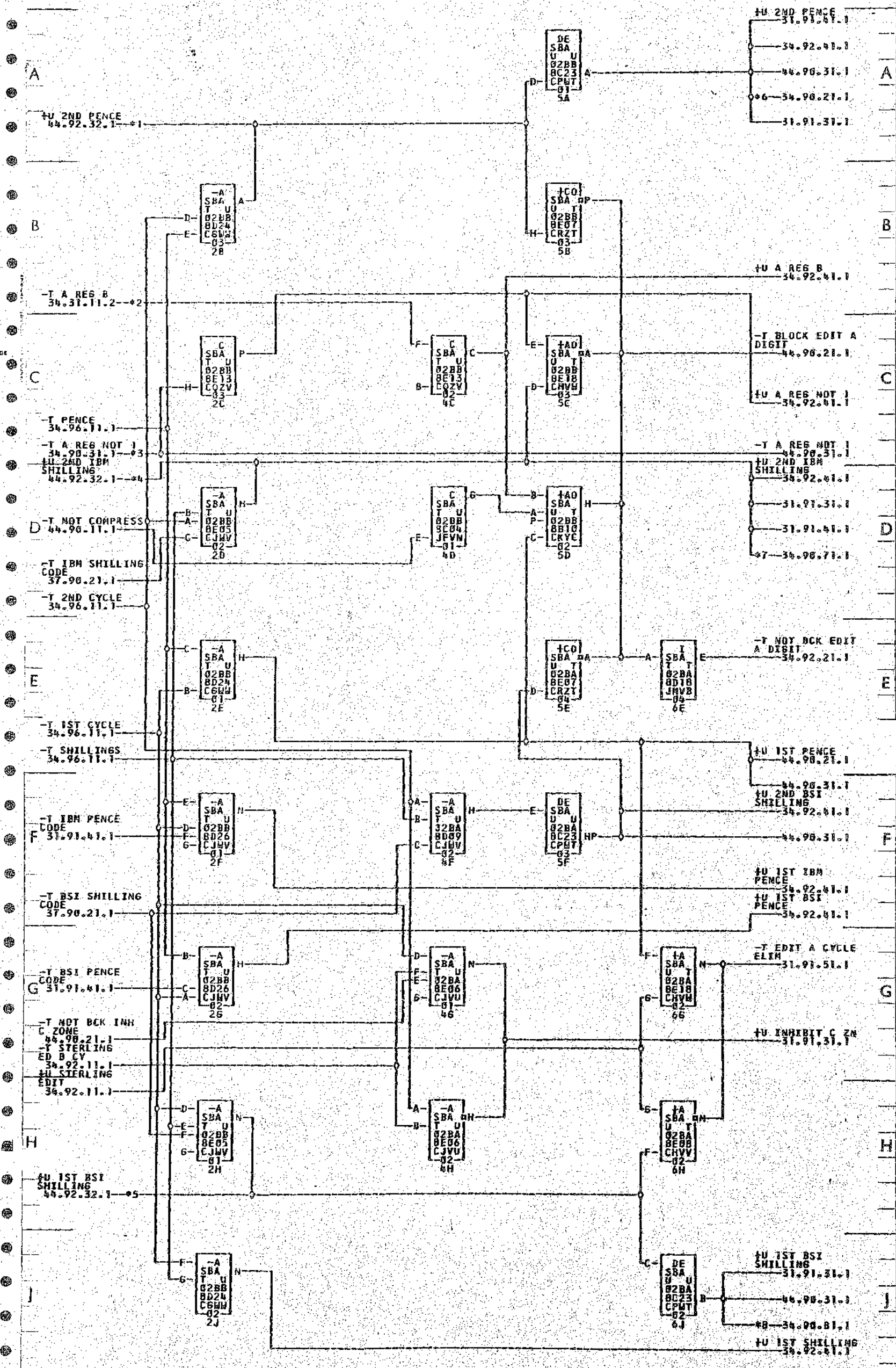
TAG	DATE	E.C.NO.	TAG	DATE	E.C.NO.	TAG	DATE	E.C.NO.	TAG	DATE	E.C.NO.
A	04-02-63	TA1607	B	04-17-63	TA1607B	C	11-22-63	TA1988A	D	01-14-64	TA1985



576939  
 1963



- \*1-02BBD15A      DIRECT      01B6D23C      \*2-02BBD02K      \*3-02BBD26D      DIRECT
- 01B6D07A      \*4-02BBD20E      DIRECT      01B6F13E      \*5-02BBD26F      DIRECT
- 01B6F16C      \*6-02BBD02C      DIRECT      01B6C02D      \*7-02BBD02A      \*8-02BBD02L
- DIRECT      \*9-01B6D17H      \*10-02BBD01H      02B7F04R      \*A-02BBD20N      DIRECT
- 01B6F07P      \*B-02BBD19H      DIRECT      01A3B26R      \*C-02BBD17A      DIRECT
- 01A3F10B      \*D-02BBD01H      01A3B23H



- \*1-0288A01D  
01B3004B
- \*2-0288B02L  
0288B010
- \*3-0288B02M  
01B3004D
- \*4-0288A01F  
0288B01K
- \*5-0288A01E  
01B3004K
- \*6-0288B01B

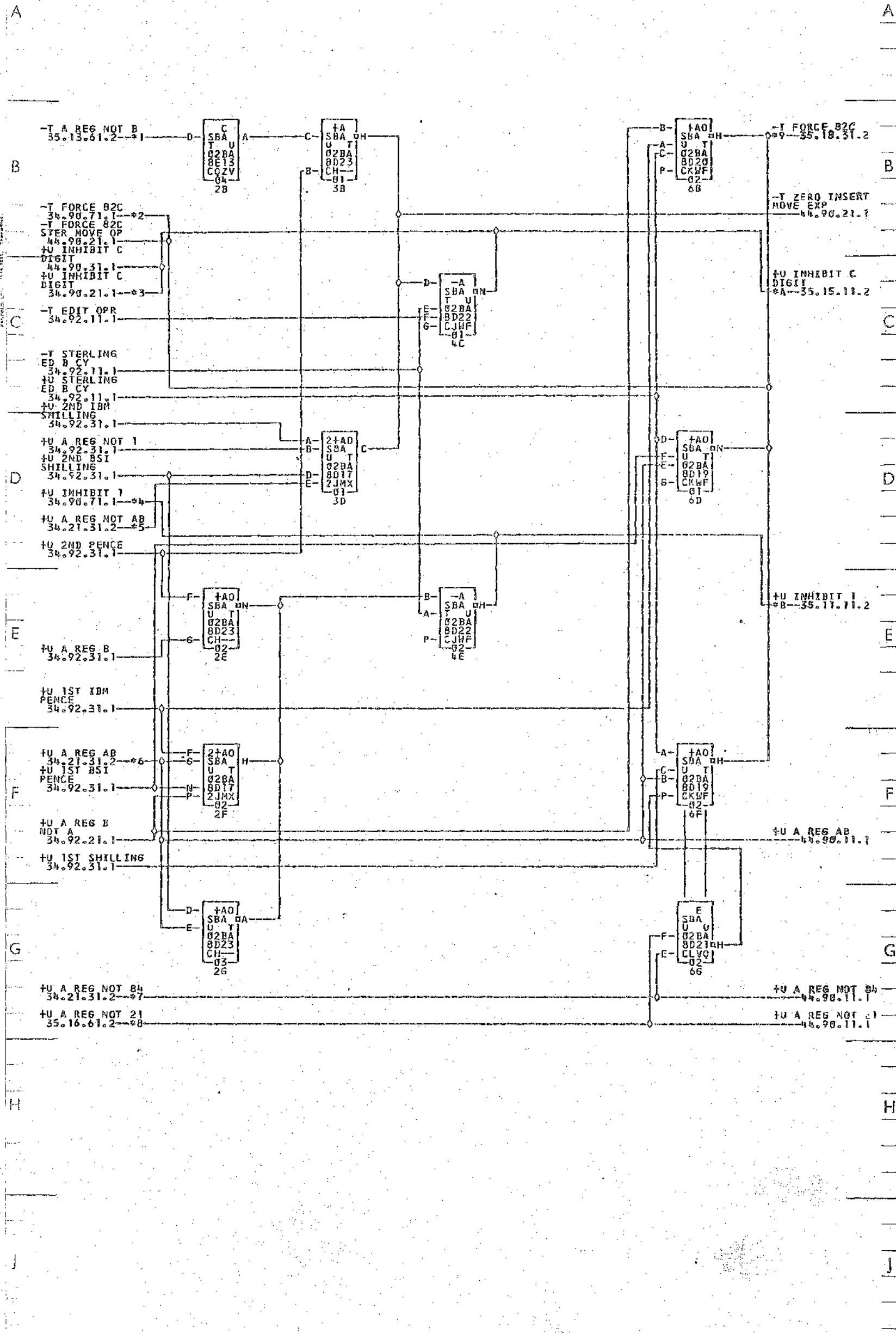
COMMENTS

TAG	DATE	E.C.NO.	TAG	DATE	E.C.NO.	TAG	DATE	E.C.NO.	TAG	DATE	E.C.NO.
A	04-02-63	TA1607	B	04-17-63	TA1607B	C	01-14-64	TA19886			

BRITISH LABORATORIES  
WINDYBUSH  
U.S. PAT. NO. 2,849,917

176664





\*1--02BBD01R  
 \*1B6006A  
 \*9--02BBD01P

\*2--02BBD016  
 \*6--02BBD02R  
 \*1A3B23P

\*3--02BBD01C  
 \*7--02BBD21E  
 \*A--02BBD01R

\*4--02BBD01F  
 DIRECT  
 \*1A3B23R

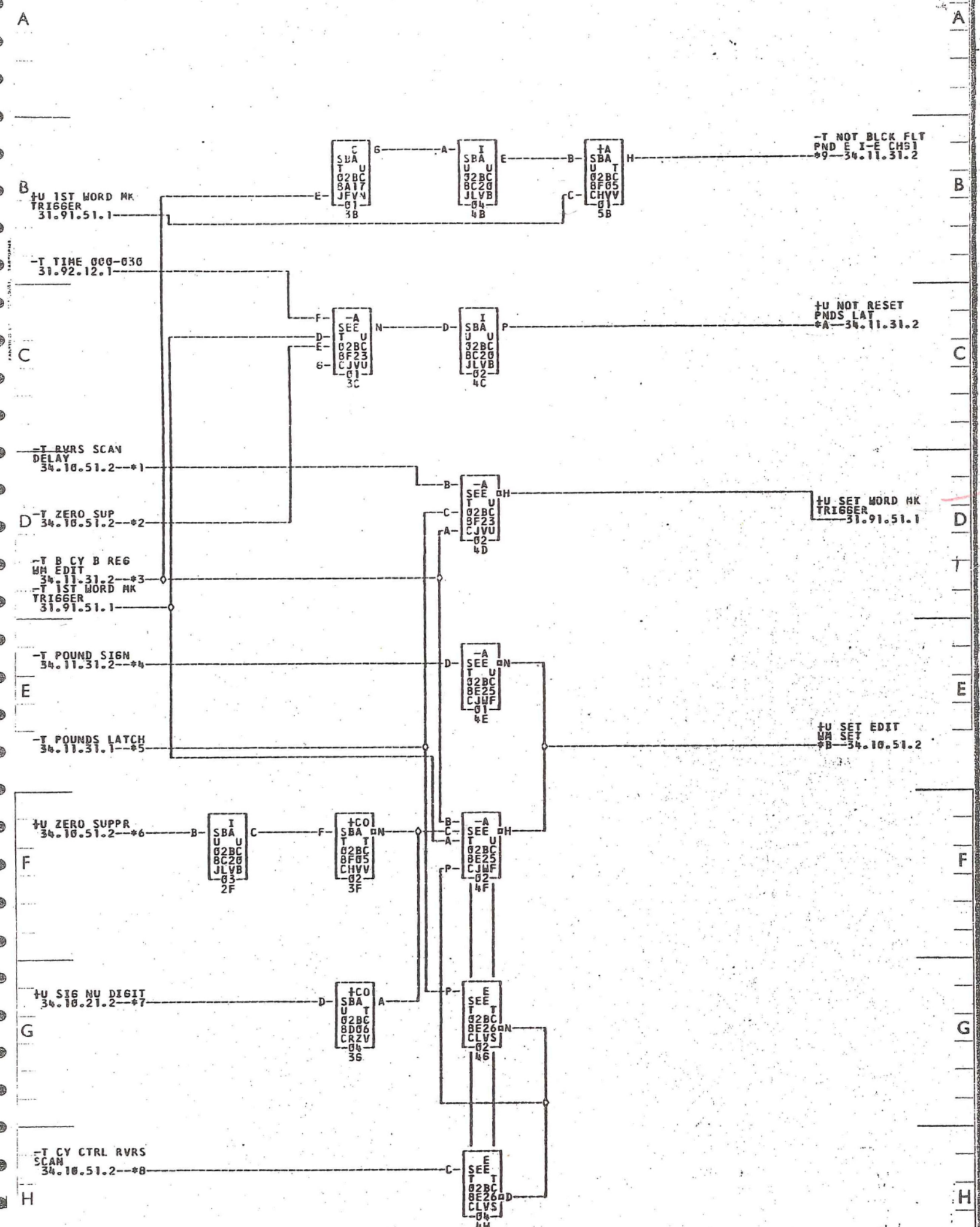
\*5--02BBD01E  
 \*1B6005F  
 \*8--02BBD01Q

DIRECT  
 \*8--02BBD01K  
 \*1A3B23Q

COMMENTS

TAG DATE E.C.NO. TAG DATE E.C.NO. TAG DATE E.C.NO. TAG DATE E.C.NO.  
 A 04-02-63 TA1607 B 04-17-63 TA1607B

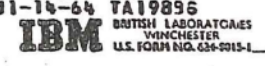
15078



- \*1-02BBA02K
- \*2-02BBA02L
- \*3-02BBA02J
- \*4-02BBA02H
- \*5-02BBA02C
- \*6-02BBA02M
- \*7-02BBA02P
- \*8-02BBA02N
- \*9-02BBA02B
- \*A-02BBA02R
- \*B-02BBA02Q
- \*C-01B6B03Q

COMMENTS

TAG	DATE	E.C.NO.	TAG	DATE	E.C.NO.	TAG	DATE	E.C.NO.	TAG	DATE	E.C.NO.
A	04-02-63	TA1607	B	04-17-63	TA1607B	C	11-22-63	TA1988A	D	01-16-64	TA1985B



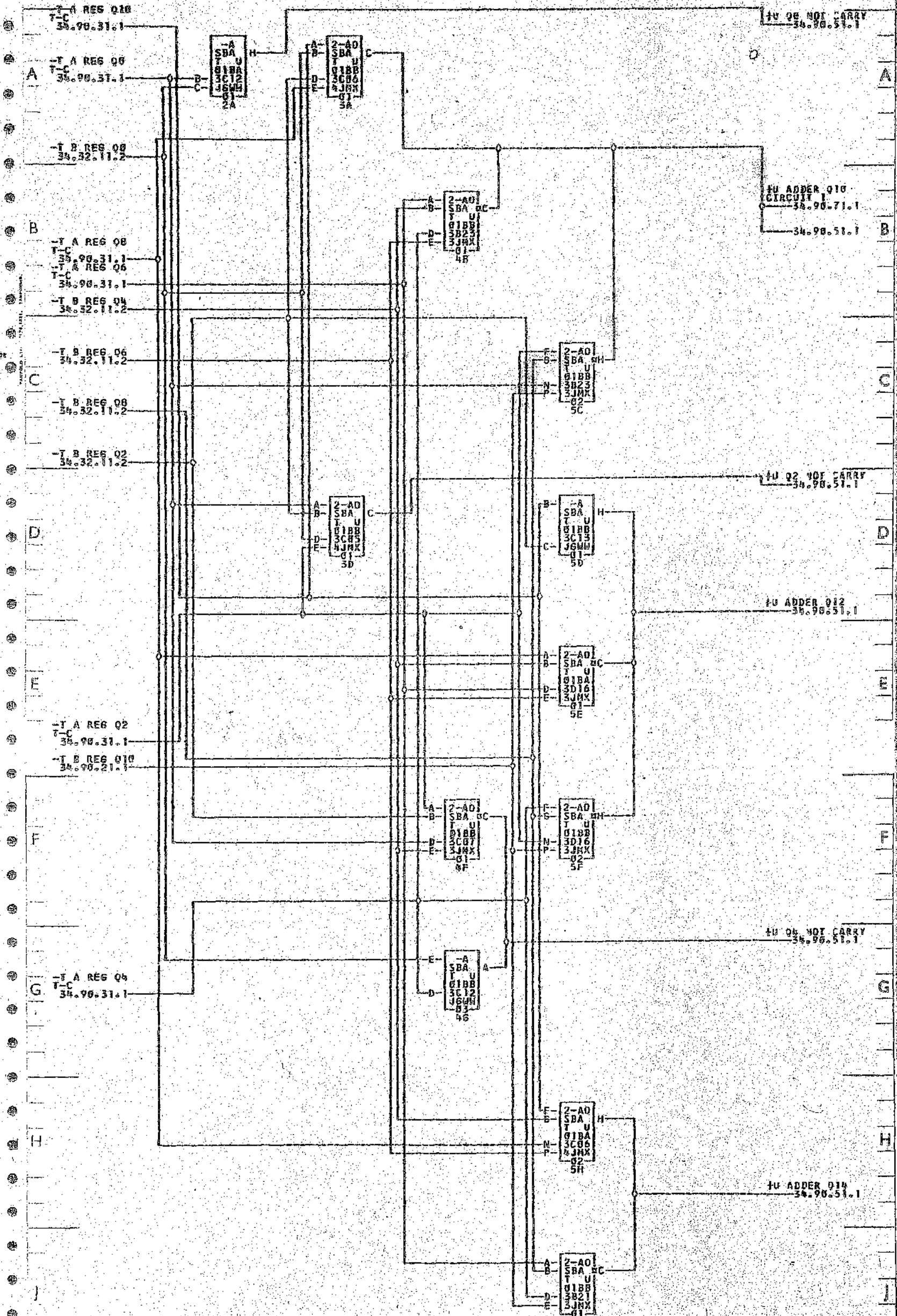
1789924

0704117

MIXED RADIX ADDER SECTION 1

IND158A

34.95.11.1



COMMENTS

TAG	DATE	E.C. NO.	TAG	DATE	E.C. NO.	TAG	DATE	E.C. NO.	TAG	DATE	E.C. NO.
A	12-22-52	FA1202A	B	01-17-53	FA1771B						

IBM  
 INTERNATIONAL LABORATORIES  
 YORK, NEW YORK

704117

A

A

B

B

C

C

D

D

E

E

F

F

G

G

H

H

J

J

-T A REG 04  
T-C 34.90.31.1

-T B REG 02  
T-C 34.32.11.2

-T A REG 06  
T-C 34.90.31.1

-T B REG 08  
T-C 34.32.11.2

-T A REG 02  
T-C 34.90.31.1

-T B REG 04  
T-C 34.32.11.2

-T B REG 06  
T-C 34.32.11.2

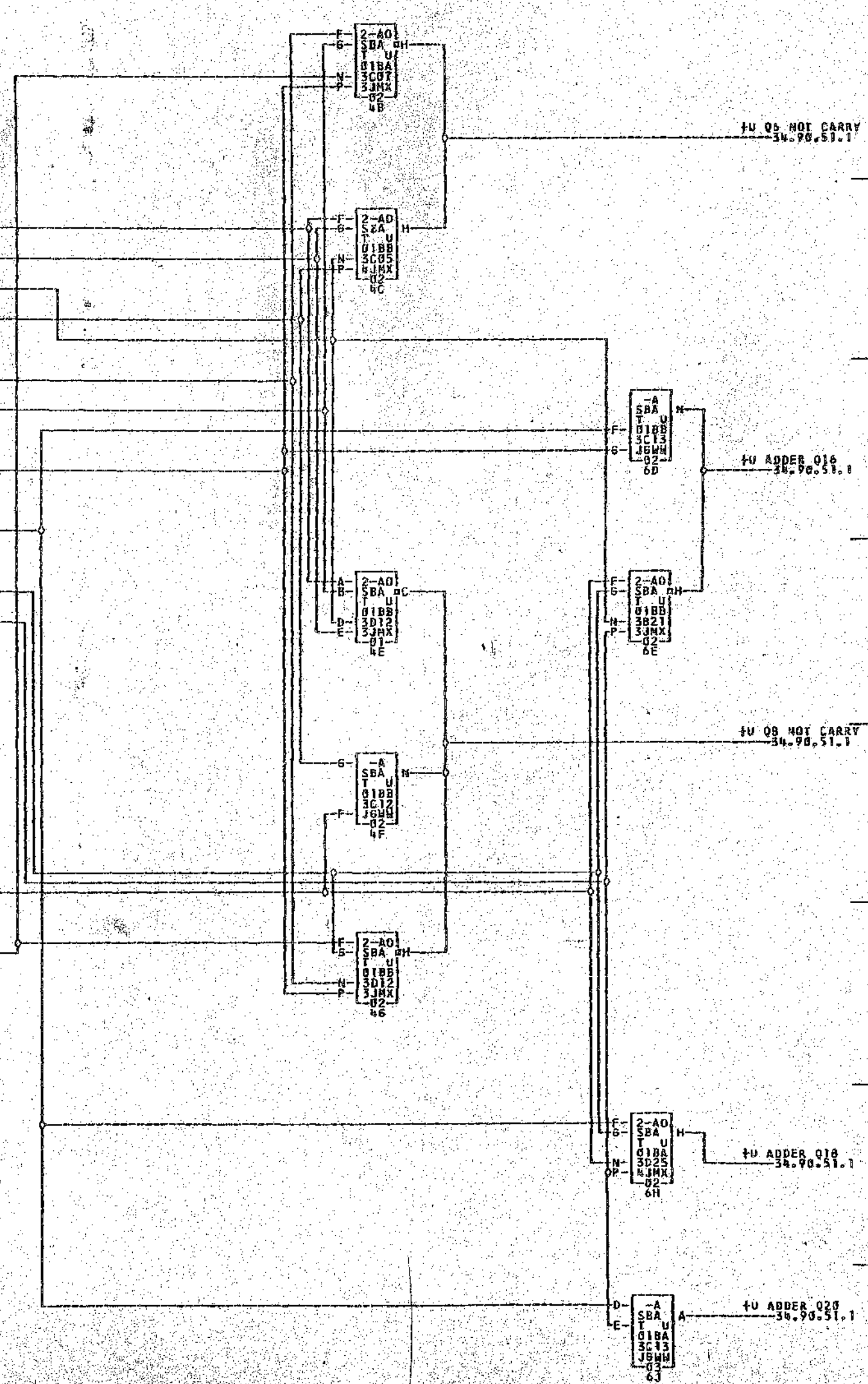
-T A REG 010  
T-C 34.90.31.1

-T B REG 08  
T-C 34.32.11.2

-T B REG 010  
T-C 34.90.21.1

-T A REG 08  
T-C 34.90.31.1

-T A REG 00  
T-C 34.90.31.1



704720

1771

A

A

B

B

C

C

D

D

E

E

F

F

G

G

H

H

I

I

J

J

TT SET 1ST CYC  
34.92.11.1

TT ARITH MARKER  
31.91.11.1

TT RING ADVANCE  
31.91.21.1

TT RING RESET  
31.91.21.1

-T 1ST CYCLE  
34.92.21.1

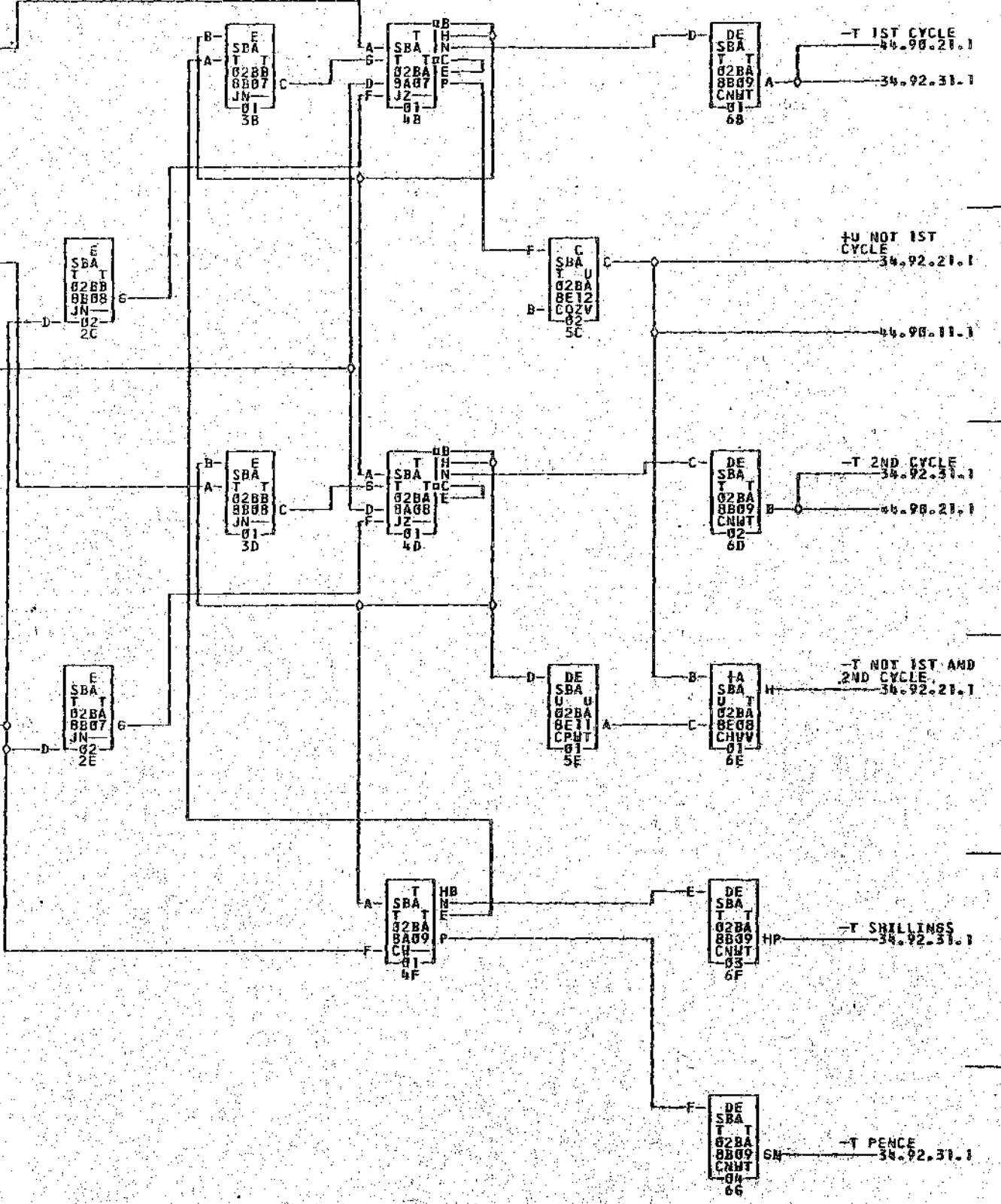
TT NOT 1ST  
CYCLE  
34.92.21.1

-T 2ND CYCLE  
34.92.31.1

-T NOT 1ST AND  
2ND CYCLE  
34.92.21.1

-T SHILLINGS  
34.92.31.1

-T PENCE  
34.92.31.1



COMMENTS

TAS DATE	E-C NO.	TAS DATE	E-C NO.	TAS DATE	E-C NO.	TAS DATE	E-C NO.
A 04-02-63	TA1607	B 04-17-63	TA1607B	C 11-22-63	TA1988A	D 01-14-64	TA1985B

IBM  
 BRITISH LABORATORIES  
 WIMBORNE  
 U.S. FORM NO. 64-7154

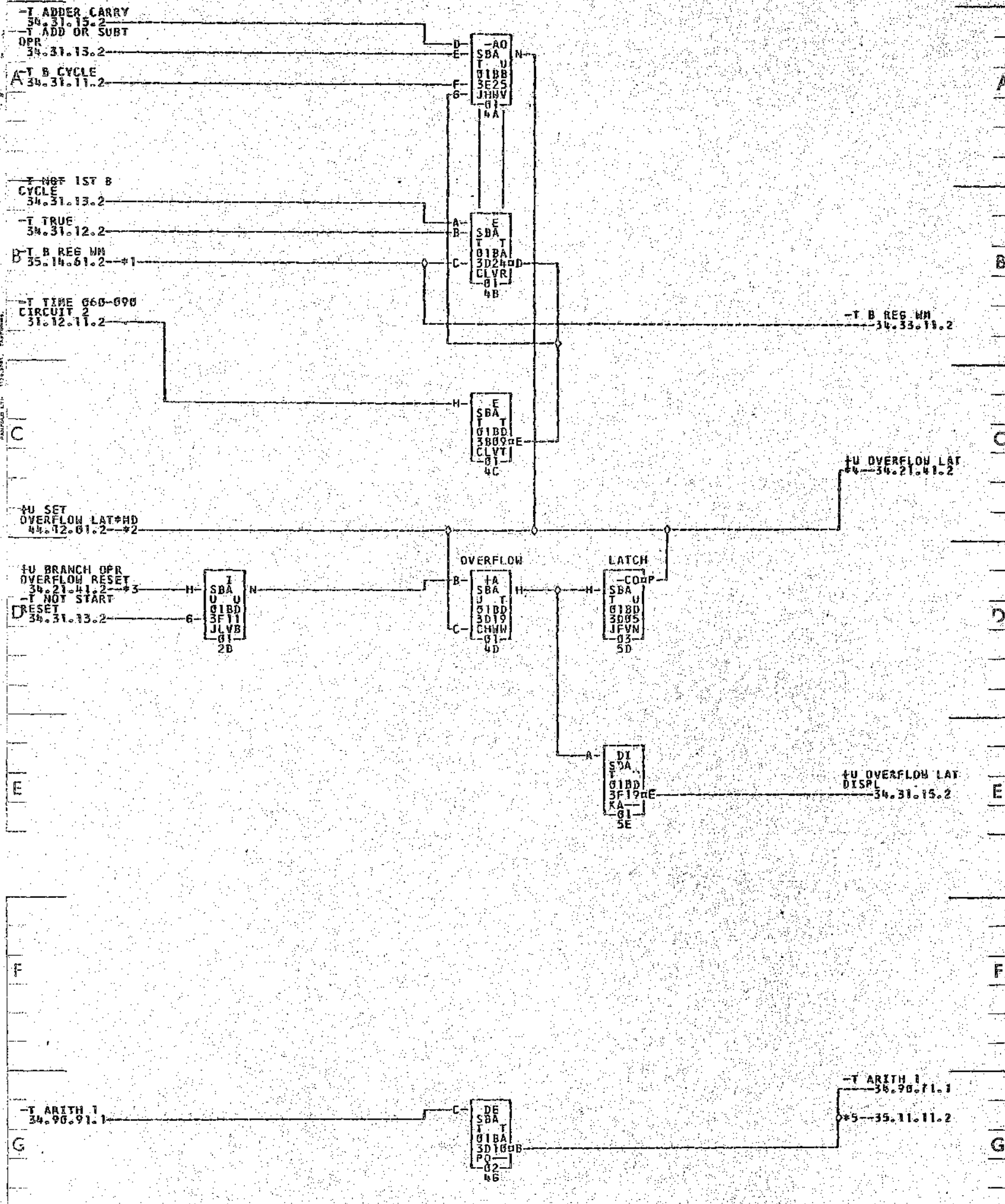
6794002

0794121

OVER FLOW LATCH

1401SBA

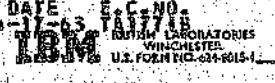
34.96.21.1



- \*1--01B3D03N 01A3C25D
- \*2--01B3B04R
- \*3--01B3E04R
- \*4--01B3E04N
- 01B6F01N
- \*5--01B3D01D

COMMENTS

TAG DATE E.C.NO. TAG DATE E.C.NO. TAG DATE E.C.NO. TAG DATE E.C.NO.  
 A 10-06-62 TA1282A B 07-09-62 TA1441A C 17-10-62 TA1541E D 04-11-63 TA1771B



A

B

C

D

E

F

G

H

J

+U ADDER Q6  
34.31.15.2

+U ADDER Q9  
34.31.15.2

+U ADDER Q10  
34.31.15.2

CIRCUIT 2  
34.31.15.2

-T QUI BI CHECK  
34.90.91.1

+U ADDER Q18  
34.90.91.1

DE  
SBA U  
U 01BA  
3E11  
PP 01  
3B1

E  
SBA U  
U 01BB  
3E07  
CLVT  
07  
3C

+A  
SBA T  
U 01BA  
3E14  
CHVV  
03  
5C

+A  
SBA T  
U 01BA  
3E14  
CHVV  
02  
5D

DE  
SBA U  
U 01BA  
3E11  
PP 03  
3E

E  
SBA U  
U 01BB  
3E12  
CLVT  
07  
3F

+U ADDER Q8  
34.31.15.2

+U ADDER Q2  
34.31.15.2

+U ADDER Q4  
34.31.15.2

+U Q6 Q8 Q18  
\*1-34.52.19.2

34.90.91.1

-T QUI BI CHECK  
\*2-31.92.91.1

+U Q2 Q4 Q8  
\*3-34.32.19.2

34.90.91.1

\*1-01B3E04H  
\*3-01B3E04J

01B6F01H  
01B6F01J

\*2-01B3A04D

02B8C01D

02B8C02N

01B6A04N

COMMENTS

TAG	DATE	E.C.NO.	TAG	DATE	E.C.NO.	TAG	DATE	E.C.NO.	TAG	DATE	E.C.NO.
A	04-02-63	TA1687	B	04-17-63	TA1687B						

701607B

TO CY B REG A NOT 13

34.10.11.2

TO B CY B REG  
 AB DR  
 34.10.11.2  
 TO B REG 8 NOT  
 34.10.11.2

TO B REG 21  
 34.10.11.2  
 TO CY CTRL RVRS  
 SCAN  
 34.10.51.2

TO NOT STERL  
 EDIT  
 34.92.11.1  
 TO EDIT CPR  
 34.10.21.2

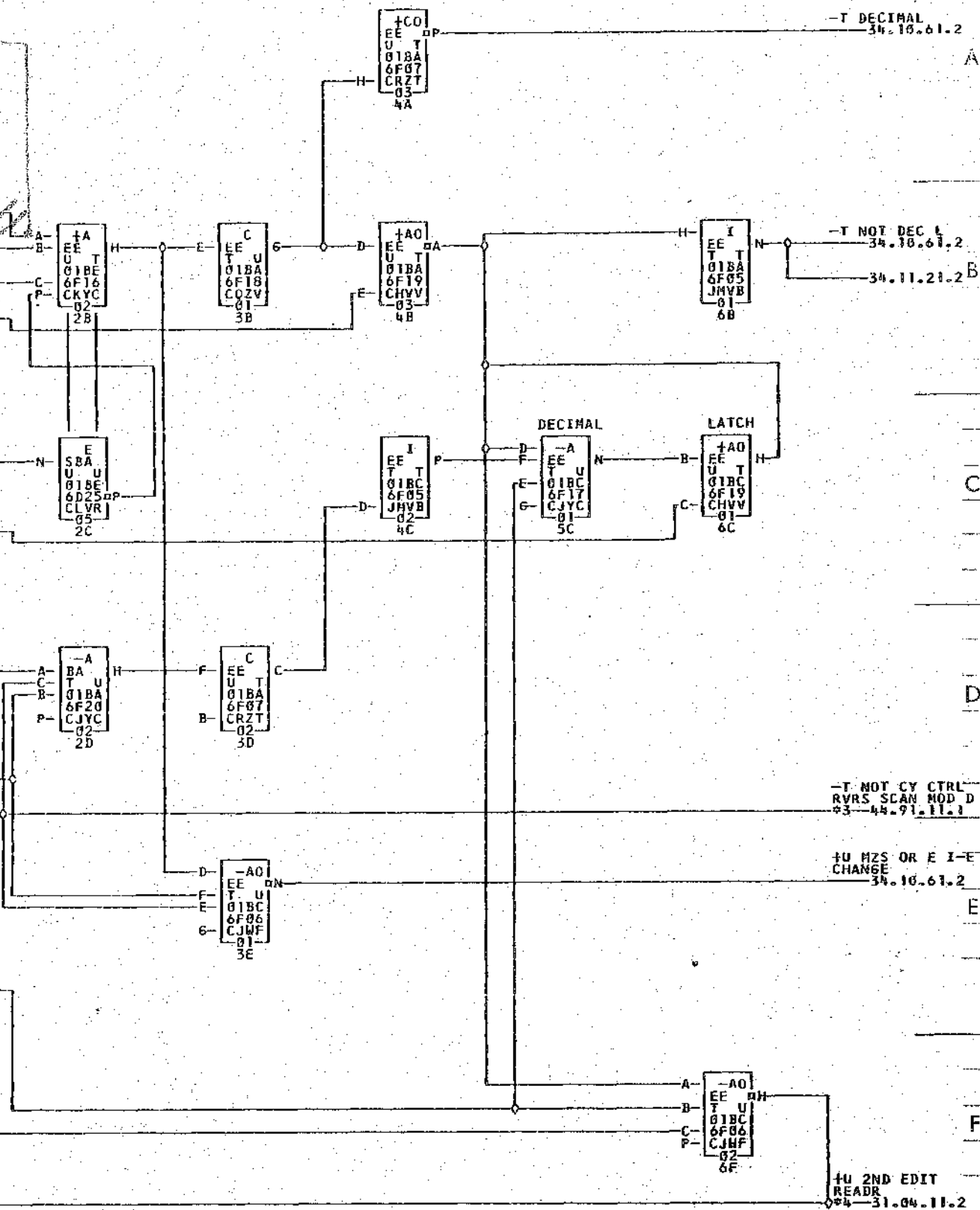
TO TIME 000-030  
 34.10.51.2  
 TO RVRS SCAN  
 DELAY  
 34.10.51.2  
 TO NOT CY CTRL  
 RVRS SCAN  
 31.04.11.2

TO ZERO SUP  
 34.10.51.2  
 TO B CYCLE B  
 REG MM EDIT  
 34.11.31.2  
 TO 2ND EDIT  
 READR  
 34.11.31.2

TO NOT DEC L  
 34.10.61.2  
 TO NOT DEC L  
 34.11.21.2

TO NOT CY CTRL  
 RVRS SCAN MOD D  
 33-44.91.11.1  
 TO MZS OR E I-E  
 CHANGE  
 34.10.61.2

TO MZS OR E I-E  
 CHANGE  
 34.10.61.2  
 TO 2ND EDIT  
 READR  
 31.04.11.2



\*1-01B6B03E

\*2-01B6E01C

\*3-01B6A04L

01B7A03L

\*4-01B6B01K

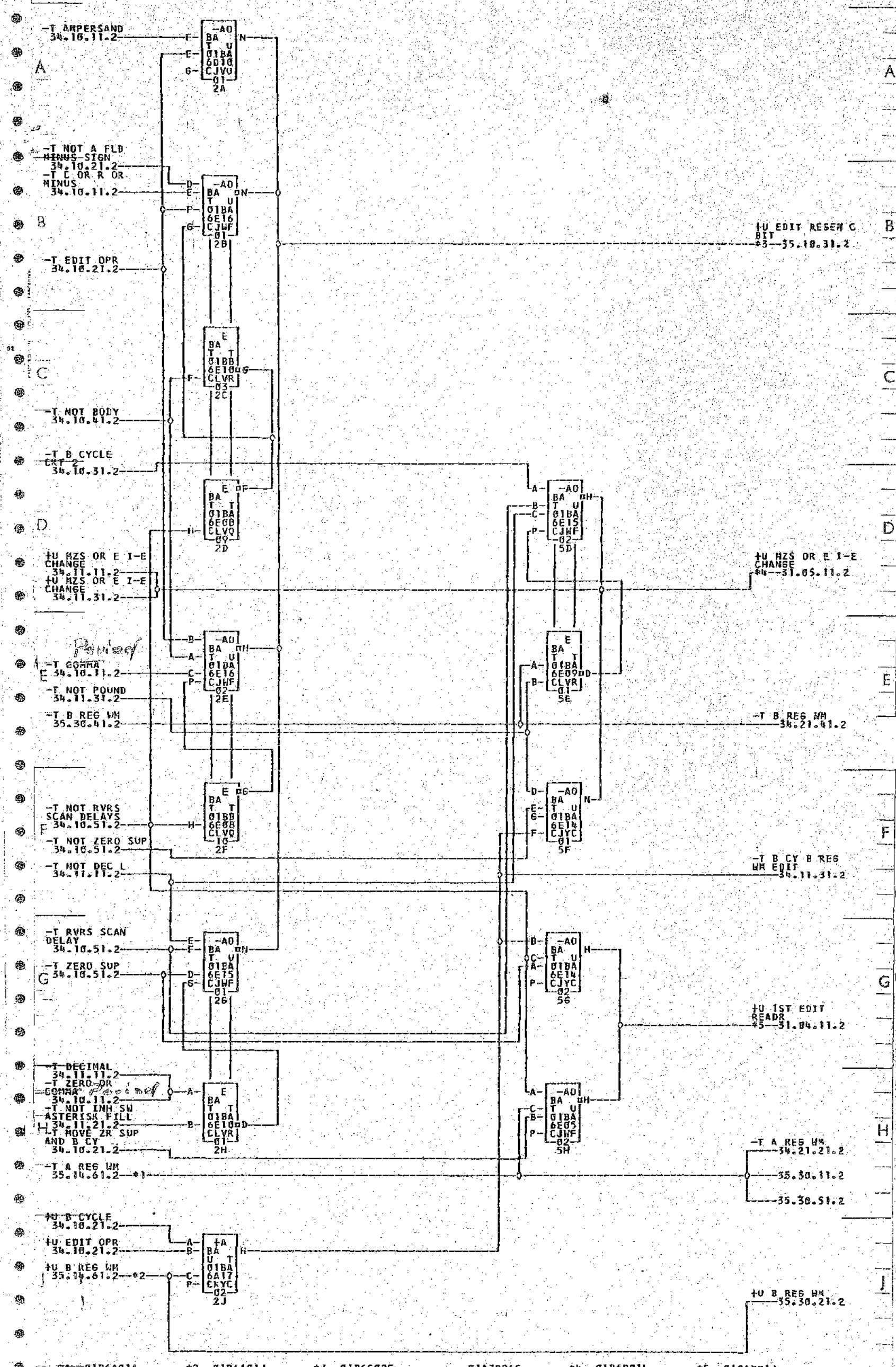
COMMENTS

TAG	DATE	E.C.NO.	TAG	DATE	E.C.NO.	TAG	DATE	E.C.NO.	TAG	DATE	E.C.NO.
A	18-06-62	TA1282A	B	03-08-62	TA13706	C	04-17-63	TA17718			
E	01-14-64	TA1988F									

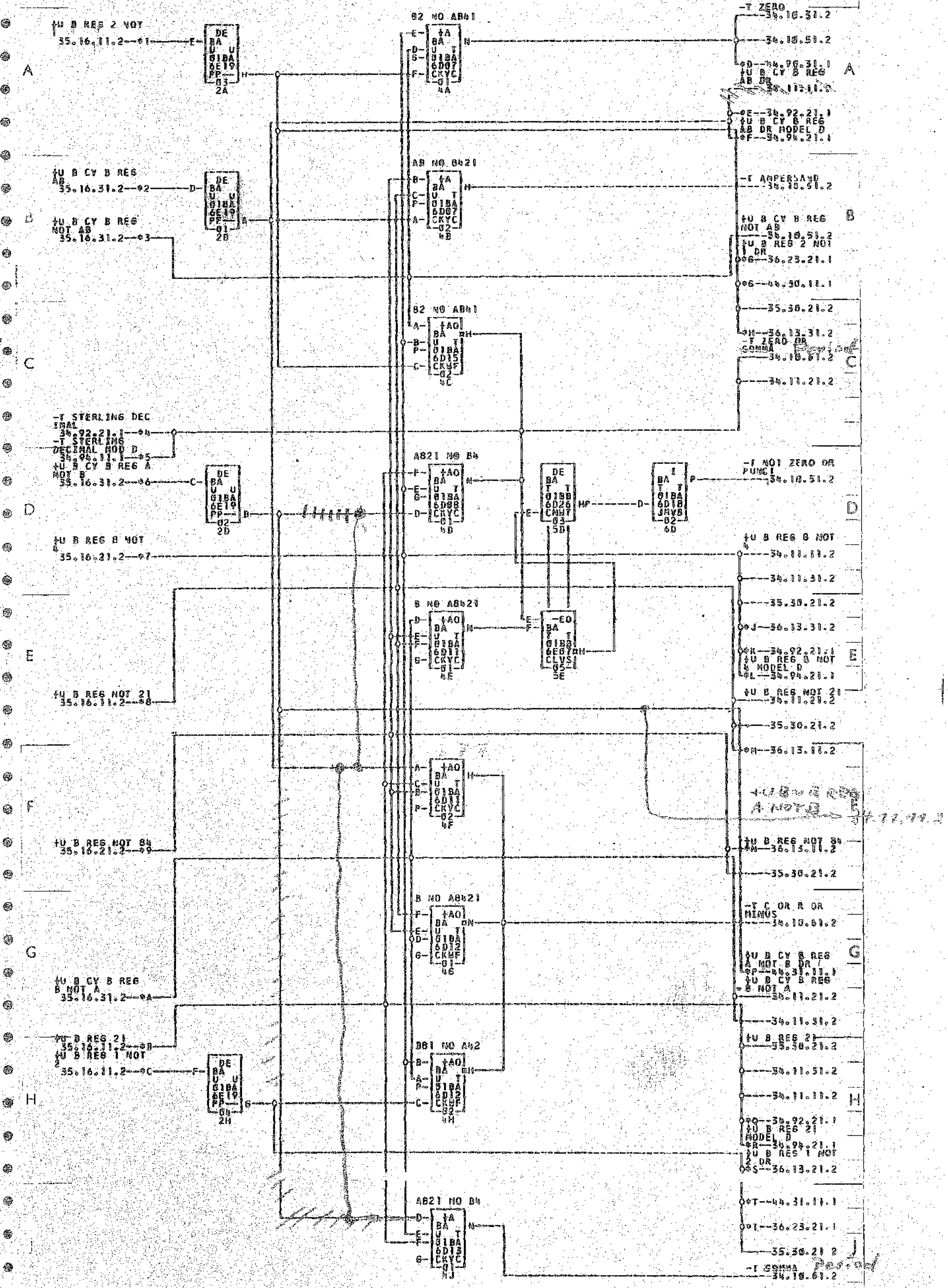
IBM  
 U.S. FORM NO. 424-9151

1417064





#1--01B6A01A    #2--01B6A01J    #3--01B6C02E    #4--01A3B26E    #5--01B6B01L    #5--01B6B01J



- #1-01B6D02K
- #5-01B6F07P
- #9-01B6D02H
- #13-01B6D02H
- #17-01B6D03C
- #21-DIRECT
- #25-01B6E03N
- #29-02B6D20F
- #33-01B6D02R

- #2-01B6D02N
- #6-DIRECT
- #10-01B6D020
- #14-02B6D20B
- #18-01B6E030
- #22-02B6D20E
- #26-01B6E03J
- #30-01B6E03J
- #34-01B6F16L
- #38-01B6F03R

- #3-01B6D02D
- #7-01B7A13N
- #11-01B6D02J
- #15-01B6E07A
- #19-01B6E030
- #23-01B6E03L
- #27-01B6E03J
- #31-DIRECT

- #4-01B6F07P
- #8-01B6D02B
- #12-01B6D02L
- #16-DIRECT
- #20-01B6E03L
- #24-01B6E026
- #28-01B7A13F

- #7-DIRECT
- #11-01B6D02F
- #15-01B6A08A
- #19-01B7A13D
- #23-01B6E02L
- #27-01B7A13E
- #31-01B6E03C
- #35-01B6E03A

- #8-02B6D20N
- #12-01B6D02M
- #16-01B6D07A
- #20-01B6D02P
- #24-01B6E13E
- #28-01B6E03N
- #32-01B6E13C
- #36-01B6E13H

COMMENTS TAG DATE E.C.NO. TAG DATE E.C.NO. TAG DATE E.C.NO. TAG DATE E.C.NO.

A 04-02-63 TA1607 B 04-17-63 TA1607B

TESTED 13/1/64