

724466	1401 ALPHABETICAL LOGIC LISTING	REFERENCE ONLY	00,00,00,2	EC #
	TITLE	LOGIC #	GATE	110924V
	10X10 MATRIX SWITCH-8K REF. DWG.	1406	42.60.21.2	06B1
	1401 TIMING & VOLTAGE DIST REF DWG		42.40.53.2	01A1
	1403 POWER PLUG		23.04.11.2	01A2
	1403 SUMMARY CONNECTOR #1		21.04.01.2	01A2
	1403 SUMMARY CONNECTOR #1		21.04.11.2	01A2
	1403 SUMMARY CONNECTOR #2		22.04.01.2	01A2
	1403 SUMMARY CONNECTOR #2		22.04.11.2	01A2
	1406 4K DRIVER TERM RES REF. DWG.	1406	42.70.41.2	06B5
	1406 8K DRIVER TERM RES. REF. DWG.	1406	42.60.41.2	06B1
	1406 TIMING & VOLTAGE DIST REF. DWG.	1406	42.40.63.2	06B1
	1ST AND 2ND B CYCLE TRIGGERS		34.31.13.2	01B3
	2A COMPARE LATCHES		44.19.31.2	02A7
	2K STORAGE BLOCK DIAGRAM REF DWG		42.41.12.2	01A1
	3-6 PUNCH DECODE		36.23.21.2	01B7
	3-6 PUNCH DECODE		36.23.21.2	01B7
	4K STORAGE BLOCK DIAGRAM REF DWG		42.41.11.2	01A1
	4K STORAGE BLOCK DIAGRAM REF. DWG.	1406	42.71.11.2	06B5
	5X10 MATRIX SWITCH REF DWG		42.40.21.2	01A1
	5X10 MATRIX SWITCH-4K REF. DWG.	1406	42.70.21.2	06B5
	8K STORAGE BLOCK DIAGRAM REF. DWG.	1406	42.61.11.2	06B1
	8X10 MATRIX SWITCH REF DWG		42.40.31.2	01A1
	8X10 MATRIX SWITCH-4K REF. DWG.	1406	42.70.31.2	06B5
	8X10 MATRIX SWITCH-8K REF. DWG.	1406	42.60.31.2	06B1
	A AND B REGISTER CHECK LATCHES		35.30.31.2	01B6
	A AUX CYCLE LATCH		44.14.11.2	02B7
	A AUX STAR GATE IN AND OUT CONTROLS		44.15.01.2	02A7
	A AUX STAR RESET CONTROLS		44.16.21.2	02A7
	A BIT ZONE ADDER		34.33.13.2	01B3
	A COMPARE LATCHES		44.19.21.2	02A7
	A CYCLE ELIMINATE LATCH		44.11.11.2	02B7
	A CYCLE ELIMINATION		31.06.11.2	01B2
	A CYCLE LATCH		31.23.11.2	01B2
	A LATCH AND 2A LATCH		44.12.11.2	02B7
	A REG AND B REG WM		35.14.61.2	01A3
	A REG. INHIBIT CONTROL		35.18.41.2	01A3
	A REG SET 1 2 4		41.50.91.2	02B6
	A REG SET 82C AND ARITH WM LATCH		35.18.61.2	01A3
	A REG SET B CD A B CZ		41.51.01.2	02B6
	A REG SET UNITS A B CZ		41.51.11.2	02B6
	A REG TRNASLATOR ADDER COMPARE		44.19.01.2	02A7
	A REGISTER SET		75.01.08.2	02A8
	A REGISTER CHECK MATRIX		35.30.11.2	01B6
	A REGISTER DISPLAY DRIVE		35.30.51.2	01B6
	A REGISTER COMBINED BITS 21		35.16.51.2	01A3
	A REGISTER COMBINED BITS 84		35.16.71.2	01A3
	A REGISTER COMBINED BITS AB		35.16.81.2	01A3
	A REGISTER COMBINED BITS NOT 21		35.16.61.2	01A3
	A REGISTER TRANSLATOR		34.32.12.2	01B3
	A REGISTER TRUE COMPLEMENT		34.32.13.2	01B3
	A STAR CONTROL HUNDREDS AND GATE OUT		32.32.21.2	01A7
	A STAR CONTROL UNITS AND TENS		32.32.11.2	01A7
	A STAR READ IN & STORE CYCLE 1 2 3		41.50.51.2	02B6
	A6B REG SET AND RESET		35.10.51.2	01A3
	ACTIVATE STORAGE DECODE	1406	42.67.01.2	06B4
	ADD CTRL ARITH RDR RVRS SCAN RDR		34.31.16.2	01B3
	ADDER CARRY		34.31.14.2	01B3
	ADDER CARRY AND OVERFLOW		34.31.15.2	01B3
	ADDER CONTROL-RECOMPLEMENT READR TR		34.31.17.2	01B3

724464	1401 ALPHABETICAL LOGIC LISTING	REFERENCE ONLY	00.00.00.2	EC #
	TITLE	LOGIC #	GATE	110324V
	ADDER DOUBLER COMPARE	44.19.11.2	02A7	
	ADDR REG DR AND THOUSANDS C DISPLAY	32.40.31.2	01A7	
	ADDR REG VAL CHECK LATCH AND CYRLS	32.44.31.2	01A8	
	ADDRESS MODIFY OP CODE	44.62.02.2	01B1	
	ADDRESS MODIFY UNITS A BIT	42.62.01.2	01A8	
	ADDRESS MODIFY UNITS B BIT	42.62.03.2	01A8	
	ADDRESS MODIFY UNITS C ZONE BIT	42.62.02.2	01A8	
	ADDRESS STOP CONTROL SEC 1	32.45.21.2	01A8	
	ADDRESS STOP CONTROL SECT. 2	32.45.31.2	01A8	
	ADDRESS STOP INPUT SWITCHING SECT. 1	32.45.11.2	01A8	
	ALL SCAN COMP AND PRT OR CARR BUSY	36.01.11.2	01A6	
	ALL SCAN COMP-PR&CARR BUSY NUMERIC	36.01.11.2	01A6	
	ALL SCANS COMPLETE	36.01.11.2	01A6	
	ALL SCANS COMPLETE NUMERIC	36.01.11.2	01A6	
	ARITHMETIC INHIBIT CONTROL	35.18.51.2	01A3	
	ARITHMETIC MODIFY CONTROLS GEN	1406 42.65.01.2	06B4	
	AUTO SCAN CONTROL-1	32.31.11.2	01A7	
	AUTO SCAN CONTROL-2	32.31.21.2	01A7	
	AUX STAJ SET LATCH	44.11.01.2	02B7	
	AUX STAR 1 CTRL UNITS TENS HDS	44.15.21.2	02A7	
	AUX STAR 2 CTRL UNITS TENS HDS	44.15.31.2	02A7	
	AUX STAR 4 CTRL UNITS TENS HDS	44.15.41.2	02A7	
	AUX STAR 8 CTRL UNITS TENS HDS	44.15.51.2	02A7	
	AUX STAR A CTRL UNITS HUNDREDS	44.15.71.2	02A7	
	AUX STAR B CTRL UNITS HUNDREDS	44.16.01.2	02A7	
	AUX STAR CD CTRL UNITS TENS HDS	44.15.61.2	02A7	
	AUX STAR CZ CTRL UNITS HUNDREDS	44.16.11.2	02A7	
	B AUX CYCLE LAT	44.14.31.2	02B7	
	B AUX STAR GATE IN AND OUT CONTROLS	44.15.11.2	02A7	
	B AUX STAR RESET CONTROLS	44.16.31.2	02A7	
	B CYCLE LATCH	31.26.11.2	01B2	
	B GREATER OR LESS THAN A CONTROL	44.34.11.2	02A8	
	B GREATER OR LESS THAN A CONTROL	44.34.11.2	01B7	
	B REG AND A REG 1 BIT	35.11.21.2	01A3	
	B REG AND A REG 2 BIT	35.11.61.2	01A3	
	B REG AND A REG 4 BIT	35.12.21.2	01A3	
	B REG AND A REG 8 BIT	35.12.61.2	01A3	
	B REG AND A REG BIT A	35.13.21.2	01A3	
	B REG AND A REG BIT B	35.13.61.2	01A3	
	B REG BLANK AND COMBINED BITS AB	35.16.31.2	01A3	
	B REG DIGIT GENERATION	44.10.21.2	02B7	
	B REG INH CONT SECT 3 AND FORCE 8 2	35.18.31.2	01A3	
	B REG INHIBIT CONT	35.18.11.2	01A3	
	B REG INHIBIT CONT SECT 2	35.18.21.2	01A3	
	B REGISTER ADJUST PRINT	36.33.11.2	01A6	
	B REGISTER ADJUST PRINT NUMERIC	36.33.11.2	01A6	
	B REGISTER CHECK MATRIX	35.30.21.2	01B6	
	B REGISTER DIST. AND IND DISPLAY	35.30.41.2	01B6	
	B REGISTER PLANE 9-14	35.15.51.2	01A3	
	B REGISTER COMBINED BITS 21	35.16.11.2	01A3	
	B REGISTER COMBINED BITS 84	35.16.21.2	01A3	
	B REGISTER TRANSLATOR	34.32.11.2	01B9	
	B STAR CONTROL GATE OUT	32.33.31.2	01A7	
	B STAR CONTROL TENS AND HUNDREDS	32.33.21.2	01A7	
	B STAR CONTROL UNITS	32.33.11.2	01A7	
	B STAR READ IN	41.50.61.2	02B6	
	TENS DECODE SWITCH	42.34.11.2	01A1	
	BACKSPACE	TAU 89.60.40.1	00XA	

724464	1401 ALPHABETICAL LOGIC LISTING	REFERENCE ONLY	00-00-00-2	EC #
	TITLE	LOGIC #	GATE	110324V
	BINARY ADDER	34-32-15-2	01B3	
	BIT COMPARE MATRIX	34-21-11-2	01B6	
	BIT TEST	41-10-11-2	01B6	
	BIT TEST OPR	41-10-21-2	01B1	
	BRANCH ON READER AND PUNCH BUSY	74-21-41-2	02B1	
	BUFFER CLOCK	46-37-21-2	01A5	
	BUFFER DISPLAY LINES	46-36-81-2	01A5	
	BUFFER MEMORY PULSES	46-37-31-2	01A5	
	BUFFER REGISTER ADJUST PRINT	36-33-11-2	01A6	
	BUFFER REGISTER ADJUST PRINT NUMERIC	36-33-11-2	01A6	
	C BIT ZONE ADDER	34-33-14-2	01B3	
	C E PANEL SYNC POINTS	37-31-21-2	01A2	
	CARR INLK LAT MAG DRVS INDS	36-48-31-2	01B1	
	CARR STOP TR AND START SS	36-48-21-2	01B1	
	CARRIAGE OPR REGISTER	36-46-11-2	01B1	
	C BIT GENERATOR	39-17-11-2	01A3	
	CHANNEL 9 AND 12 LATCHES	36-43-31-2	01B1	
	CHANNEL BRUSH REGISTER	36-43-11-2	01B1	
	CHANNEL BRUSH ENCODE 1 AND 2	36-42-11-2	01B1	
	CHANNEL BRUSH ENCODE 4 AND 8	36-42-21-2	01B1	
	CHAR REG TERMINATION & DISTRIBUTION	75-01-07-2	02A8	
	CHARACTER CONTROL LATCHES	74-31-31-2	02B1	
	CHECK LATCHES	36-14-11-2	01B4	
	CHECK PLANE ENTRY	36-17-31-2	01B7	
	CHECK PLANE ENTRY	36-17-31-2	01B7	
	CHECK RESET CONTROL	34-21-51-2	01B6	
	CHECKING ALTERNATE CYCLE CONTROL	36-17-11-2	01B7	
	CHECKING ALTERNATE CYCLE CONTROL	36-17-11-2	01B7	
	CHECKING INHIBIT & ERROR GATES	36-17-41-2	01B7	
	CHECKING INHIBIT & ERROR GATES	36-17-41-2	01B7	
	CHECKING ROW BIT CONTROL	36-17-21-2	01B7	
	CHECKING ROW BIT CONTROL	36-17-21-2	01B7	
	CLEAR B FIELD LAT AND SET PROD LAT	44-11-41-2	02B7	
	CLOCK CONTROL SECTION 1	31-10-11-2	01B3	
	CLOCK CONTROL SECTION 2	31-10-12-2	01B3	
	CLOCK TIMING CONTROLS	71-31-11-2	02A1	
	CLOCK TIMING CONTROLS	71-31-21-2	02A1	
	COL BIN MODIFIER CONTROL	41-11-51-2	02B8	
	COL BIN PCH DECODE & HOLE COUNT	41-23-21-2	02B8	
	COL BIN PUNCH DECODE MATRIX	41-23-11-2	02B8	
	COL BIN READ ENCODE	41-23-31-2	02B8	
	COM GATE SET SIGN AND I-E CHANGE	44-13-01-2	02B7	
	COMP COUNTER 2-4 BIT DECODE NUMERIC	36-34-51-2	01A6	
	COMP CTR 8 A B BIT DECODE NUMERIC	36-34-61-2	01A6	
	COMP WD 1ST AND 2ND B BIT	44-70-41-2	02B6	
	COMP WD CYCLE CTL	44-70-31-2	02B6	
	COMPARE CHECK	TAU B9-50-30-1	00XC	
	COMPARE COUNTER	36-34-41-2	01A6	
	COMPARE COUNTER CONTROLS	36-34-31-2	01A6	
	COMPARE COUNTER CONTROLS NUMERIC	36-34-31-2	01A6	
	COMPARE COUNTER NUMERIC	36-34-41-2	01A6	
	COMPARE EQUAL LATCH AND CONTROL	34-21-21-2	01B6	
	COMPLEMENT AND SET A TRANS OUTPUT	44-13-11-2	02B7	
	COMPRESSED WORD OP. CODE	44-70-11-2	01B1	
	COMPRESSED WORD CTL	44-70-21-2	02B6	
	CONTROL SIGNALS CABLE DRIVE	75-01-03-2	02A8	
	CONTROL SIGNALS CABLE DRIVE	75-01-02-2	02A8	
	CPU DATA CABLE DRIVE	75-01-01-2	02A8	

724464	1401 ALPHABETICAL LOGIC LISTING	REFERENCE ONLY	00000002	EC #
	TITLE	LOGIC #	GATE	110224V
	CTRL SIGNAL TERMINATION & DIST.	79010602	02A8	
	CTRL SIGNAL TERMINATION&DIST.	79010502	02A8	
	CURRENT DRIVERS AND CURRENT SOURCES	425701102	01A1	
	CURRENT DRIVERS AND CURRENT SOURCES 1406	426701102	06B1	
	CURRENT DRIVERS AND CURRENT SOURCES 1406	427701102	06B5	
	DELAY COUNTER	TAU 89304001	00XB	
	DELAY COUNTER	TAU 89304101	00XB	
	DELAY COUNTER	TAU 89304201	00XB	
	DELAY COUNTER	TAU 89304301	00XB	
	DELAY COUNTER GATING	TAU 89305001	00XB	
	DELAY COUNTER GATING	TAU 89305101	00XB	
	DELAY COUNTER GATING	TAU 89305201	00XB	
	DELAY COUNTER GATING	TAU 89305301	00XB	
	DELAY COUNTER GATING	TAU 89305401	00XB	
	DELAY COUNTER GATING	TAU 89305501	00XB	
	DELAY COUNTER RESET TRIGGER RESET	TAU 89303101	00XB	
	DELAY COUNTER DRIVE	TAU 89302001	00XB	
	DELTA A AUX CYCLE LATCH	44140102	02B7	
	DELTA A CYCLE	312201102	01B2	
	DELTA B AUX CYCLE LATCH	441402102	02B7	
	DELTA B CYCLE	312301102	01B2	
	DELTA CYCLE CONTROL	312001102	01B2	
	DELTA I CYCLE	312101102	01B2	
	DELTA OVERLAP & OVERLAP CY LATCHES	743102102	02B1	
	DELTA PROCESS CONTROL PRINT NUMERIC	363106102	01A6	
	DELTA PROCESS CONTROL PRINT	363106102	01A6	
	DELTA PROCESS CONTROL PRINT	363106102	01A6	
	DELTA PROCESS CONTROL PRINT NUMERIC	363106102	01A6	
	DISTRIBUTION SECTION 1	351001102	01A3	
	DISTRIBUTION SECTION 1	351001102	01A3	
	DISTRIBUTION SHEET	324001102	01A7	
	DISTRIBUTION SHEET	363706102	01B5	
	DISTRIBUTION SHEET	426200402	01A8	
	DISTRIBUTION SHEET	461000102	01A4	
	DISTRIBUTION SHEET	463607102	01A5	
	DISTRIBUTION SHEET 1	363108102	01A6	
	DISTRIBUTION SHEET 1	363108102	01A6	
	DISTRIBUTION SHEET 1 NUMERIC	363108102	01A6	
	DISTRIBUTION SHEET 1 NUMERIC	363108102	01A6	
	DISTRIBUTION SHEET 2	363109102	01A6	
	DISTRIBUTION SHEET 2	363109102	01A6	
	DISTRIBUTION SHEET 2 NUMERIC	363109102	01A6	
	DISTRIBUTION SHEET 2 NUMERIC	363109102	01A6	
	DUAL SPEED CARR SLOW BRUSH LATCHES	465102102	01A5	
	DUAL SPEED CARR. BRUSH COMPARE	465103102	01A5	
	DUAL SPEED CARR. SPEED CONTROL	465104102	01A5	
	DUAL SPEED CARR. SLOW BRUSH INTEGRA	465101102	01A5	
	DUAL SPEED CAR SP SK	465107102	01B1	
	E2 TRIGGER AND CHANNEL REGISTER CTRL	364302102	01B1	
	EDIT	341001102	01B6	
	EDIT	341002102	01B6	
	EDIT	341003102	01B6	
	EDIT	341004102	01B6	
	EDIT	341005102	01B6	
	EDIT	341006102	01B6	
	EDIT CONV	351003102	01A3	
	ENCODER	361301102	01B4	
	ENCODER	361302102	01B4	

724464	1401 ALPHABETICAL LOGIC LISTING	REFERENCE ONLY	00.00.00.2	EC #
	TITLE	LOGIC #	GATE	110324V
	END DIV LAT QUOT TR 6 REV SCAN LAT	44.12.01.2	02B7	
	ERROR CHECK & OVERLAP CY DISP LATCH	74.21.21.2	02B1	
	ERROR STOP	TAU 89.50.52.1	00XA	
	ERROR STOP READ GATING	TAU 89.40.12.1	00XC	
	ERROR TRIGGERS	TAU 89.50.50.1	00XA	
	EVEN PARITY OPERATIONS CHECK	35.28.11.2	01B1	
	EXPANDED EDIT DECIMAL OPTION	34.11.11.2	01B6	
	EXPANDED EDIT DOLLAR OPTION	34.11.31.2	01B6	
	EXPANDED EDIT ASTERISK OPTION	34.11.21.2	01B6	
	FEED AND PUNCH RELEASE OP CODES	56.78.11.2	01B1	
	FEED THROUGH AND DISTRIBUTION SHEET	31.09.51.2	01B2	
	FEED THROUGH SHEET	34.34.11.2	01B3	
	FEED THROUGH SHEET	36.19.11.2	01B4	
	FEED THROUGH SHEET	36.37.31.2	01A6	
	FEED THROUGH SHEET	36.37.31.2	01A6	
	FEED THROUGH SHEET	36.37.81.2	01B5	
	FEED THROUGH SHEET	36.49.21.2	01B1	
	FEED THROUGH SHEET	46.36.51.2	01A5	
	FEED THROUGH SHEET NUMERIC	36.37.31.2	01A6	
	FEED THROUGH SHEET NUMERIC	36.37.31.2	01A6	
	FEED THRU	32.46.11.2	01A8	
	FEED THRU SHEET	32.40.21.2	01A7	
	FEED THRU SHEET	37.30.41.2	01A2	
	FEED THRU SHEET	70.65.11.2	02A2	
	FEED THRU SHEET	70.65.11.2	02A2	
	FIFTY ONE COLUMN SCAN CONTROL	56.80.11.2	01A8	
	FILE OP AND PERCENT LATCH	75.01.04.2	02A8	
	FINAL AMPLIFIERS	TAU 89.40.10.1	00XC	
	FIRST ADDRESS TRANSFER	75.01.10.2	02A8	
	FORWARD STOP DELAY AND COMPUTE	TAU 89.30.56.1	00XB	
	FULL STORAGE PRINT	1406 42.66.03.2	06B4	
	GO TRIGGER	TAU 89.60.11.1	00XA	
	HAMMER CHECK PLANE CONNECTIONS 1-33	46.11.01.2	01A4	
	HAMMER CHECK PLANE CONNECTIONS 34-66	46.11.11.2	01A4	
	HAMMER CHECK PLANE CONNECTIONS 67-99	46.11.21.2	01A4	
	HAMMER CHECK PLANE CONNECTIONS 100-132	46.11.31.2	01A4	
	HAMMER DRIVE 130-132	36.39.91.2	01B5	
	HAMMER DRIVE 100-109	36.39.61.2	01B5	
	HAMMER DRIVE 110-119	36.39.71.2	01B5	
	HAMMER DRIVE 120-129	36.39.81.2	01B5	
	HAMMER DRIVE 1-9	36.38.61.2	01B5	
	HAMMER DRIVE 10-19	36.38.71.2	01B5	
	HAMMER DRIVE 20-29	36.38.81.2	01B5	
	HAMMER DRIVE 30-39	36.38.91.2	01B5	
	HAMMER DRIVE 40-49	36.39.01.2	01B5	
	HAMMER DRIVE 50-59	36.39.11.2	01B5	
	HAMMER DRIVE 60-69	36.39.21.2	01B5	
	HAMMER DRIVE 70-79	36.39.31.2	01B5	
	HAMMER DRIVE 80-89	36.39.41.2	01B5	
	HAMMER DRIVE 90-99	36.39.51.2	01B5	
	HAMMER RESET CHECK	38.37.51.2	01B5	
	HAMMER RESET CONTROL	36.37.41.2	01B5	
	HIGH-LOW-EQUAL TEST	44.34.31.2	02A8	
	HIGH-LOW-EQUAL TEST	44.34.21.2	01B7	
	HI-LO DIGIT COMPARE SECT 1	44.33.11.2	02A8	
	HI-LO DIGIT COMPARE SECT 1	44.33.11.2	01B7	
	HI-LO DIGIT COMPARE SECT 2	44.33.21.2	02A8	
	HI-LO DIGIT COMPARE SECT 2	44.33.21.2	01B7	

724464	1401 ALPHABETICAL LOGIC LISTING	REFERENCE ONLY	00.00.00.2	EC #
	TITLE	LOGIC #	GATE	110324V
	HI-LO DIGIT COMPARE SECT 3	44.33.31.2	02A8	
	HI-LO DIGIT COMPARE SECT 3	44.33.31.2	01B7	
	HI-LO LATCH	44.34.21.2	02A8	
	HI-LO LATCH	44.34.21.2	01B7	
	HI-LO ZONE COMPARE	44.32.11.2	02A8	
	HI-LO ZONE COMPARE	44.32.11.2	01B7	
	HI-LO-EO INPUT DIST	44.30.11.2	02A8	
	HI-LO-EO INPUT DIST	44.30.11.2	01B7	
	HOME AND RUN TRIGGERS	36.31.11.2	01A6	
	HOME AND RUN TRIGGERS	36.31.11.2	01A6	
	HOME AND RUN TRIGGERS NUMERIC	36.31.11.2	01A6	
	HOME AND RUN TRIGGERS NUMERIC	36.31.11.2	01A6	
	HOME ERR&PR LINE COMP CTRLS NUMERIC	36.37.11.2	01A6	
	HOME ERR&PR LINE COMP CTRLS NUMERIC	36.37.11.2	01A6	
	HOME ERROR & PRINT LINE COMP CTRLS	36.37.11.2	01A6	
	HOME ERROR & PRINT LINE COMP CTRLS	36.37.11.2	01A6	
	HUNDREDS & THOUSANDS DECODE SWITCHES	42.56.11.2	01A1	
	HUNDREDS & THOUSANDS DECODE SWITCHES 1406	42.76.11.2	06B9	
	HUNDREDS AND THOUSANDS DECODE SWIT. 1406	42.66.11.2	06B1	
	HUNDREDS DECODE SWITCHES	42.55.11.2	01A1	
	HUNDREDS DECODE SWITCHES 1406	42.65.11.2	06B1	
	HUNDREDS DECODE SWITCHES 1406	42.75.11.2	06B9	
	HUNDREDS ZONE CARRY CONTROLS	41.50.71.2	02B6	
	I CYCLE LATCH	31.24.11.2	01B2	
	I O OPERATIONS	31.09.21.2	01B2	
	I RING 4-5-6-7-8	31.31.41.2	01B6	
	I RING 4-5-6-7-8 DISTRIBUTION	31.31.21.2	01B2	
	I RING CONTROL	31.30.11.2	01B2	
	I RING OP-1-2-3	31.31.21.2	01B6	
	I RING OP-1-2-3 DISTRIBUTION	31.31.11.2	01B2	
	I STAR CONTROL HUNDREDS AND GATE OUT	32.34.21.2	01A7	
	I STAR CONTROL UNITS AND TENS	32.34.11.2	01A7	
	I STAR RESTORE GATE	32.39.11.2	01A7	
	I-E CHANGE SECTION 1	31.05.11.2	01B2	
	I-E CHANGE SECTION 2	31.05.21.2	01B2	
	I-E CHANGE SECTION 3	31.05.31.2	01B2	
	I-O BRANCH CONTROL	73.11.41.2	02A2	
	I-O DATA INPUT	73.11.21.2	02A2	
	I-O LOAD AND CONTROL	73.12.21.2	02A2	
	I-O SELECT CONTROL	73.11.11.2	02A2	
	I-O SELECT CONTROL	73.11.31.2	02A2	
	I-O SELECT CONTROL	73.11.51.2	02A2	
	I-O SELECT CONTROL	73.11.61.2	02A2	
	I-O SELECT CONTROL	73.11.71.2	02A2	
	I-O WRITE	73.12.11.2	02A2	
	INDEX I CONTROL	41.51.61.2	02B6	
	INDEX A AND B STAR GATES	41.50.81.2	02B6	
	INDEX ADDRESS REGISTER SET	41.50.41.2	02B6	
	INDEX STAR	41.51.21.2	02B6	
	INDEX TAG LATCHES	41.50.01.2	02B6	
	INDEXING OPR CODES	41.52.31.2	01B1	
	INDICATORS - CONSOLE	37.20.11.2	01A2	
	INDICATORS - CONSOLE	37.20.21.2	01A2	
	INDICATORS REF DWG	89.02.90.0	02A1	
	INDICATORS-TAPE CE CONSOLE	71.81.11.2	02A1	
	INDICATORS-TAPE CE CONSOLE	71.81.12.2	02A1	
	INH DR TERM RES & FILTER CAP REF DWG	42.40.43.2	01A1	
	INHIBIT 1	35.11.11.2	01A2	

724464

1401 ALPHABETICAL LOGIC LISTING

REFERENCE ONLY

00:00:00:2

EC #

TITLE

LOGIC #

GATE

110324V

INHIBIT 2		35.11.51.2	01A3
INHIBIT 4		35.12.11.2	01A3
INHIBIT 8		35.12.51.2	01A3
INHIBIT A		35.13.11.2	01A3
INHIBIT B		35.13.51.2	01A3
INHIBIT C		35.14.11.2	01A3
INHIBIT C DIG AND C ZONE		35.13.11.2	01A3
INHIBIT CHECK LATCH		35.17.71.2	01A3
INHIBIT CHECK SECTION 1		35.17.51.2	01A3
INHIBIT CHECK SECTION 2		35.17.61.2	01A3
INHIBIT DRIVERS		42.58.11.2	01A1
INHIBIT DRIVERS	1406	42.68.11.2	06B1
INHIBIT DRIVERS	1406	42.78.11.2	06B5
INHIBIT DRIVERS		46.10.31.2	01A4
INHIBIT GATING AND ARITH CHECK LATCH		44.13.21.2	02B7
INHIBIT RESISTORS&FILTER C REF. DWG. 1406		42.68.21.2	06B1
INHIBIT WM		35.14.51.2	01A3
INPUT OUTPUT LINES REF DWG		73.91.91.2	02A2
INPUTS FROM TAU REF DWG		89.02.35.0	02A1
INPUTS FROM TAPE DRIVE T330 REF DWG		89.02.21.0	02A1
INPUTS FROM TAPE UNIT T29 REF DWG		89.02.20.0	02A1
INQUIRY ATTACHMENT CONTROL CKTS		77.01.11.2	01B7
INQUIRY ATTACHMENT DATA CKTS		77.01.21.2	01B7
INQUIRY ATTACHMENT--DATA CKTS		77.01.21.2	02A8
INQUIRY ATTACHMENT--CONTROL CKTS		77.01.11.2	02A8
INQUIRY FEED THRU MOD-D		77.01.31.2	01B7
INQUIRY--MODE MODIFY		77.01.01.2	01A2
INTERLOCK STOP		36.02.11.2	01B4
LAST ADDRESS & READ END CONTROL		36.16.11.2	01B4
LOAD LATCH AND GATED WM		31.07.11.2	01B2
LOGIC INDEX	TAU	89.10.01.1	
LOGIC INDEX	TAU	89.10.02.1	
LOGIC INDEX	TAU	89.10.03.1	
LOGIC INDEX		31.01.10.2	01B2
LOGIC INDEX		31.10.10.2	01B3
LOGIC INDEX		32.30.10.2	01A7
LOGIC INDEX		34.00.00.2	01B6
LOGIC INDEX		35.10.10.2	01A3
LOGIC INDEX		35.20.10.2	01B1
LOGIC INDEX		36.00.00.2	01A6
LOGIC INDEX		36.01.10.2	01A6
LOGIC INDEX		36.01.10.2	01A8
LOGIC INDEX		36.01.10.2	01B4
LOGIC INDEX		36.17.10.2	01B7
LOGIC INDEX		36.30.10.2	01A6
LOGIC INDEX		36.30.10.2	01A6
LOGIC INDEX		36.37.00.2	01B5
LOGIC INDEX		37.00.00.2	01A2
LOGIC INDEX		37.17.10.2	01B7
LOGIC INDEX		41.11.10.2	02B8
LOGIC INDEX		42.53.10.2	
LOGIC INDEX	1406	42.63.10.2	06B1
LOGIC INDEX	1406	42.65.00.2	06B4
LOGIC INDEX	1406	42.73.10.2	06B5
LOGIC INDEX		44.10.00.2	02B7
LOGIC INDEX		44.15.00.2	02A7
LOGIC INDEX		44.30.01.2	02A8
LOGIC INDEX		44.30.10.2	01B7

724464	1401 ALPHABETICAL LOGIC LISTING	REFERENCE ONLY	00-00-00-2	EC #
	TITLE	LOGIC #	GATE	110924V
	LOGIC INDEX	44.70.00.2	02B6	
	LOGIC INDEX	46.10.00.2	01A4	
	LOGIC INDEX	46.36.10.2	01A5	
	LOGIC INDEX	46.51.10.2	01A5	
	LOGIC INDEX	70.10.10.2	02A1	
	LOGIC INDEX	70.10.11.2	02A2	
	LOGIC INDEX	70.10.11.2	02A2	
	LOGIC INDEX	74.10.10.2	02B1	
	LP PT & BUSY & REWIND REWIND UNLD	TAU 89.60.02.1	00XA	
	LRCR ERROR & LRCR RESET	TAU 89.50.42.1	00XC	
	LRCR REG PSNS 1 2 4 AND 8 BITS	TAU 89.50.40.1	00XC	
	LRCR REG PSNS A B AND C BITS	TAU 89.50.41.1	00XC	
	MANUAL CARRIAGE CTRL	36.47.11.2	01B1	
	MANUAL CONTROLS SECTION 1	31.03.11.2	01B2	
	MANUAL CONTROLS SECTION 2	31.03.21.2	01B2	
	MANUAL CONTROLS SECTION 3	31.03.31.2	01B2	
	MANUAL OPERATION	71.71.41.2	02A1	
	MANUAL OPERATION	71.71.61.2	02A1	
	MANUAL OPERATION-C.E. CONSOLE	71.71.31.2	02A1	
	MANUAL OPERATION-OPERATORS CONSOLE	71.71.11.2	02A1	
	MANUAL OPERATION-OPERATORS CONSOLE	71.71.11.2	01A2	
	MANUAL OPERATION RESET AND LOAD TAPE	71.71.21.2	02A1	
	MEMORY SWITCH DRIVE	46.37.91.2	01A5	
	MOD. CTRLS IV TRAN & 1400 CHAR CTRL	32.42.41.2	01A8	
	MOD. CTRLS III UNITS&TENS BOR. & CR	32.42.31.2	01A8	
	MODIFIER CONTROLS II MOD&361-1	32.42.21.2	01A8	
	MODIFIER CTRLS † PLUS 1 AND MINUS 1	32.42.11.2	01A8	
	MODIFIER EVEN DIGIT GENERATOR	32.44.21.2	01A8	
	MODIFIER INVALID ADDRESS	32.44.41.2	01A8	
	MODIFIER ODD DIGIT GENERATOR	32.44.11.2	01A8	
	MODIFIER SECT 2 BIT	32.43.21.2	01A8	
	MODIFIER SECT A BIT	32.43.51.2	01A8	
	MODIFIER SECT. 4 BIT	32.43.31.2	01A8	
	MODIFIER SECT. 8 BIT	32.43.41.2	01A8	
	MODIFIER SECT. B BIT	32.43.61.2	01A8	
	MODIFIER SECT. BORROW-CARRY BIT	32.43.91.2	01A8	
	MODIFIER SECT. CZ BIT	32.43.81.2	01A8	
	MODIFIER SECT. C DIGIT BIT	32.43.71.2	01A8	
	MODIFIER ZONE CK GEN	32.44.31.2	01A8	
	MODIFIER-SECT 1 BIT	32.43.11.2	01A8	
	MODIFY OPERATION CONTROLS	1406 42.65.02.2	06B4	
	MOVE COLUMN BINARY	41.11.41.2	02B8	
	MOVE RECORD	41.51.71.2	02B6	
	MULTIPLY AND DIVIDE OP CODES	44.10.91.2	01B1	
	O REGISTER GATING-WRITE LATCH	74.11.71.2	02B1	
	ODD PARITY OPERATIONS CHECK	35.28.21.2	01B1	
	ODD-EVEN CHARACTER COUNTER	TAU 89.40.62.1	00XC	
	OP REG ZONE DECODE	35.22.11.2	01B1	
	OP REGISTER LATCH	35.21.11.2	01B1	
	OP REGISTER UNITS DECODE 1	35.23.11.2	01B1	
	OP REGISTER UNITS DECODE 2	35.23.21.2	01B1	
	OPERATION CODES B NOT A ZONE	35.25.11.2	01B1	
	OPERATION CODES A NOT B ZONE	35.26.11.2	01B1	
	OPERATION CODES AB ZONE	35.24.11.2	01B1	
	OPERATION CODES NOT AB ZONE	35.27.11.2	01B1	
	OPERATIONAL DECODE	70.11.21.2	02A2	
	OPERATIONAL DECODE	70.11.21.2	02A2	
	OPERATIONAL DECODE	70.11.41.2	02A2	

724664	1401 ALPHABETICAL LOGIC LISTING	REFERENCE ONLY	00:00:00.2	EC #
	TITLE	LOGIC #	GATE	110324V
	OPERATIONAL DECODE	70.11.41.2	02A2	
	OPERATIONAL DECODE	71.11.11.2	02A1	
	OPERATIONAL DECODE	71.11.21.2	02A1	
	OPERATIONAL DECODE	71.11.31.2	02A1	
	OPERATIONS CHECK LATCH	35.28.31.2	01B1	
	OPR REG DISPLAY DRIVE	35.29.11.2	01B1	
	OUTPUTS TO TAPE UNIT 729 REF DWG	89.02.25.0	02A1	
	OUTPUTS TO TAPE DRIVE 7330 REF DWG	89.02.26.0	02A1	
	OUTPUTS TO TAU REF DWG	89.02.30.0	02A1	
	OVERLAP BUSY AND COMPLETE CONTROLS	74.21.11.2	02B1	
	OVERLAP CONTROLS	71.61.21.2	02A1	
	OVERLAP CONTROLS	74.21.31.2	02B1	
	OVERLAP INTERLOCK STOP CONTROLS	74.31.61.2	02B1	
	OVERLAP PROCESS INTERLOCK CONTROLS 2	74.31.51.2	02B1	
	OVERLAP STAR-GATING	74.11.11.2	02B1	
	OVERLAP STAR-HUNDREDS	74.11.41.2	02B1	
	OVERLAP STAR-TENS	74.11.31.2	02B1	
	OVERLAP STAR-UNITS	74.11.21.2	02B1	
	OVERLAP START CONTROLS	74.31.11.2	02B1	
	OVERLAP-PROCESS INTERLOCK CONTROLS 1	74.31.41.2	02B1	
	PFR CHECK LOGIC	56.17.41.2	01B7	
	PFR CHECK PLANE REGISTER	56.10.91.2	01B7	
	PFR ENCODE-VALIDITY	56.13.11.2	01B4	
	PFR OP CODE GENERATION	56.15.11.2	01B7	
	PR PAR ERROR	46.36.91.2	01A5	
	PR RDY START-AFTER SP CTRL NUMERIC	36.31.71.2	01A6	
	PR RDY START-AFTER SP CTRL NUMERIC	36.31.71.2	01A6	
	PR RDY TR-SET 201 202 2 3	36.31.31.2	01A6	
	PR RDY TR-SET 201 202 2 3 NUMERIC	36.31.31.2	01A6	
	PR SCAN PR SCAN COMP AND WM PR TRIG	36.31.41.2	01A6	
	PR SCAN PR SCAN COMP AND WM PR TRIG	36.31.41.2	01A6	
	PR SCAN PR SCAN COMP TRS NUMERIC	36.31.41.2	01A6	
	PR SCAN PR SCAN COMP TRS NUMERIC	36.31.41.2	01A6	
	PR XFER AND PR XFER COMP TRS	36.31.51.2	01A6	
	PR XFER AND PR XFER COMP TRS NUMERIC	36.31.51.2	01A6	
	PRE-SENSE AND SENSE AMPLIFIERS 1406	42.69.11.2	06B1	
	PRE-SENSE AND SENSE AMPLIFIERS 1406	42.79.11.2	06B5	
	PRE-SENSE AND SENSE AMPLIFIERS=2K	42.59.11.2	01A1	
	PRE-SENSE AND SENSE AMPLIFIERS =4K	42.59.11.2	01A1	
	PRINT BUFFER RING DRIVE	46.37.71.2	01A5	
	PRINT BUFFER TENS RING	46.37.61.2	01A5	
	PRINT BUFFER TENS DRIVE	36.37.91.2	01B5	
	PRINT BUFFER UNITS RING U0-U4	46.37.41.2	01A5	
	PRINT BUFFER UNITS RING U5-U9	46.37.51.2	01A5	
	PRINT COMPARE	36.33.21.2	01A6	
	PRINT COMPARE	36.33.21.2	01A6	
	PRINT COMPARE NUMERIC	36.33.21.2	01A6	
	PRINT COMPARE NUMERIC	36.33.21.2	01A6	
	PRINT CONTROL CLOCK PULSES	46.37.81.2	01A5	
	PRINT ERROR	36.37.21.2	01A6	
	PRINT ERROR	36.37.21.2	01A6	
	PRINT ERROR NUMERIC	36.37.21.2	01A6	
	PRINT ERROR NUMERIC	36.37.21.2	01A6	
	PRINT INTERLOCK RD PCH	36.31.51.2	01A6	
	PRINT INTERLOCK RD PCH NUMERIC	36.31.51.2	01A6	
	PRINT READY START & AFTER SPACE CTRL	36.31.71.2	01A6	
	PRINT READY START & AFTER SPACE CTRL	36.31.71.2	01A6	
	PRINT READY TR AND SET 201 NUMERIC	36.31.31.2	01A6	

724466	1401 ALPHABETICAL LOGIC LISTING	REFERENCE ONLY	00.00.00.2	EC #
	TITLE	LOGIC #	GATE	110324V
	PRINT READY TRIGGER AND SET 201	36.31.31.2	01A6	
	PRINT SCAN COUNTER	36.35.11.2	01A6	
	PRINT SCAN COUNTER	36.35.11.2	01A6	
	PRINT SCAN COUNTER NUMERIC	36.35.11.2	01A6	
	PRINT SCAN COUNTER NUMERIC	36.35.11.2	01A6	
	PRINT STORAGE LATCHES 1 2 4 8	46.10.21.2	01A4	
	PRINT STORAGE LATCHES A-B-C-WM	46.10.31.2	01A4	
	PRINT STORAGE SENSE AMPLIFIERS	46.10.61.2	01A4	
	PRINT STORAGE ARRAY	46.11.41.2	01A4	
	PRINT STRG LTCHS WM-PEC-PLC-EQC	46.10.41.2	01A4	
	PROCESS CHECK AND MAR KEY CONTROL	31.09.11.2	01B2	
	PROCESS CONTROL SECTION 1	31.02.11.2	01B2	
	PROCESS CONTROL SECTION 2	31.02.21.2	01B2	
	PROCESS CONTROL SECTION 3	31.02.31.2	01B2	
	PROCESS CONTROL SECTION 4	31.02.41.2	01B2	
	PROGRAM ACTIVITY RECORDING CONTROLS	74.11.81.2	02B1	
	PROGRAM SKIP LATCH	31.08.11.2	01B2	
	PROGRAM SKIP POSITIVE TEST	34.21.31.2	01B6	
	PSS COUNTER	36.34.11.2	01A6	
	PSS COUNTER	36.34.31.2	01A6	
	PSS COUNTER 2 4 BIT DECODE NUMERIC	36.34.51.2	01A6	
	PSS COUNTER 8 A B BIT DECODE NUMERIC	36.34.61.2	01A6	
	PSS COUNTER ADVANCES	36.34.21.2	01A6	
	PSS COUNTER ADVANCES NUMERIC	36.34.21.2	01A6	
	PSS COUNTER ADJUST CONTROL TRIGGERS	36.34.11.2	01A6	
	PSS COUNTER CONTROL GATES	36.34.41.2	01A6	
	PSS COUNTER CONTROL GATES NUMERIC	36.34.41.2	01A6	
	PSS COUNTER CONTROL TRIGGERS NUMERIC	36.34.11.2	01A6	
	PSS COUNTER CONTROLS	36.34.21.2	01A6	
	PSS COUNTER CONTROLS NUMERIC	36.34.21.2	01A6	
	PSS COUNTER NUMERIC	36.34.11.2	01A6	
	PSS COUNTER NUMERIC	36.34.31.2	01A6	
	PSS MEMORY RING	36.31.21.2	01A6	
	PSS MEMORY RING	36.31.21.2	01A6	
	PSS MEMORY RING NUMERIC	36.31.21.2	01A6	
	PSS MEMORY RING NUMERIC	36.31.21.2	01A6	
	PSS TRIGGER	36.31.01.2	01A6	
	PSS TRIGGER	36.31.01.2	01A6	
	PSS TRIGGER NUMERIC	36.31.01.2	01A6	
	PSS TRIGGER NUMERIC	36.31.01.2	01A6	
	PULSE DISTRIBUTION	44.10.11.2	02B7	
	PULSE DISTRIBUTION AND FEED THRU	44.10.01.2	02B7	
	PUNCH CB GENERATION	36.21.11.2	01B4	
	PUNCH CHECK DECODE	36.23.41.2	01B7	
	PUNCH CHECK DECODE	36.23.41.2	01B7	
	PUNCH DECODE	36.23.11.2	01B7	
	PUNCH DECODE	36.23.11.2	01B7	
	PUNCH DECODE	36.23.31.2	01B7	
	PUNCH DECODE	36.23.31.2	01B7	
	PUNCH DRIVER RESET	36.28.11.2	01B7	
	PUNCH DRIVER RESET	36.28.11.2	01B7	
	PUNCH DRIVE TENS	36.28.21.2	01B7	
	PUNCH DRIVE TENS	36.28.21.2	01B7	
	PUNCH FEED	36.24.11.2	01B4	
	PUNCH MATRIX 0-1	36.29.11.2	01B7	
	PUNCH MATRIX 0-1	36.29.11.2	01B7	
	PUNCH MATRIX 2-3	36.29.21.2	01B7	
	PUNCH MATRIX 2-3	36.29.21.2	01B7	

724464	1401 ALPHABETICAL LOGIC LISTING	REFERENCE ONLY	00.00.00.2	EC #
	TITLE	LOGIC #	GATE	110324V
	PUNCH MATRIX 4-5	36.29.31.2	01B7	
	PUNCH MATRIX 4-5	36.29.31.2	01B7	
	PUNCH MATRIX 6-7	36.29.41.2	01B7	
	PUNCH MATRIX 6-7	36.29.41.2	01B7	
	PUNCH MATRIX 8-9	36.29.51.2	01B7	
	PUNCH MATRIX 8-9	36.29.51.2	01B7	
	PUNCH SCAN GENERATION	36.22.11.2	01B4	
	PUNCH SCAN COMPLETE	36.01.21.2	01B4	
	QUI BINARY DOUBLER	44.18.11.2	02A7	
	QUI-BINARY VALIDITY CHECK MATRIX	34.32.19.2	01B6	
	QUI-BINARY VALIDITY CHECK LATCH	34.32.20.2	01B6	
	QUI-BINARY DOUBLER CARRY TRIGGER	44.18.21.2	02A7	
	QUI-BINARY DOUBLER ENTRY	44.18.01.2	02A7	
	QUIN ADDER Q0 Q2 Q4 Q6 Q8 NOT CARRY	34.32.14.2	01B3	
	QUINARY ADDER OUTPUT	34.32.17.2	01B3	
	QUINARY ADDER-Q0 Q2 Q4 Q6 CARRY	34.32.15.2	01B3	
	RD PCH COL BIN LATCH	41.11.21.2	02B8	
	RD PCH COL BIN TRIGGER	41.11.11.2	02B6	
	RD-PCH COL BIN MAR CONTROL	41.11.31.2	02B8	
	READ A REG VRC	TAU 89.50.10.1	00XC	
	READ CLOCK	TAU 89.10.20.1	00XB	
	READ CLOCK GATING	TAU 89.10.30.1	00XB	
	READ CLOCK GATING	TAU 89.10.31.1	00XB	
	READ CLOCK DRIVE	TAU 89.10.10.1	00XB	
	READ CONDITION	TAU 89.60.20.1	00XA	
	READ DELAY CONTROL	TAU 89.30.10.1	00XB	
	READ FEED	36.10.11.2	01B4	
	READ GATING	70.61.21.2	02A2	
	READ GATING	70.61.21.2	02A2	
	READ GATING	70.61.31.2	02A2	
	READ GATING	70.61.31.2	02A2	
	READ GATING	70.61.41.2	02A2	
	READ GATING	70.61.41.2	02A2	
	READ GATING	71.61.11.2	02A1	
	READ IMP CB LOGIC	36.10.21.2	01B4	
	READ PUNCH RELEASE	36.70.21.2	01B4	
	READ PUNCH INDICATION	36.18.11.2	01B4	
	READ RECOGNITION	TAU 89.40.60.1	00XC	
	READ RECOGNITION	TAU 89.40.61.1	00XA	
	READ SCAN COMPLETE	36.01.31.2	01B4	
	READ SCAN GENERATION	36.11.11.2	01B4	
	READ WRITE VRC	TAU 89.50.20.1	00XC	
	REFERENCE DRAWING	73.00.00.2	02A2	
	REG A AND REG B C BIT PSN	TAU 89.40.23.1	00XC	
	REG A AND REG B 1 AND 2 BIT PSNS	TAU 89.40.20.1	00XC	
	REG A AND REG B 4 AND 8 BIT PSNS	TAU 89.40.21.1	00XC	
	REG A AND REG B A AND B BIT PSNS	TAU 89.40.22.1	00XC	
	REVERSE SCAN	31.04.11.2	01B2	
	R-W REGISTER BIT POSITION	TAU 89.40.50.1	00XC	
	R-W REGISTER BIT POSITION	TAU 89.40.51.1	00XC	
	R-W REGISTER BIT POSITION	TAU 89.40.52.1	00XC	
	ROW BIT CORE & RD BRSH CONN REF DWG	42.40.51.1	01A1	
	ROW BIT CORES & PR MAG CONN REF DWG	42.40.52.1	01A1	
	SEL&READY RD-WRITE	TAU 89.60.10.1	00XA	
	SELECT & READY	TAU 89.60.01.1	00XA	
	SENSE SWITCHES OPTIONAL	34.22.11.2	01B6	
	SERIAL DISTRIBUTION SECTION I	32.41.11.2	01A8	
	SERIAL DISTRIBUTION SECTION II	32.41.21.2	01A8	

724466	1401 ALPHABETICAL LOGIC LISTING	REFERENCE ONLY	00.00.00.2	EC #
	TITLE	LOGIC #	GATE	110324V
	SERIAL DISTRIBUTION SECTION III	32.41.31.2	01A8	
	SERIAL DISTRIBUTION SECTION IV	32.41.41.2	01A8	
	SERIAL GATE 1 AND 2 BITS	32.39.21.2	01A7	
	SERIAL GATE 4 AND 8 BITS	32.39.31.2	01A7	
	SERIALIZING GATE CD AND HCZ	32.39.41.2	01A7	
	SERIALIZING GATE MA AND MB	32.39.51.2	01A7	
	SET STARS AND ADDER CARRY	44.13.31.2	02B7	
	SET UP A REG CONTROL	36.12.21.2	01B4	
	SET UP ADDR CONTROL	36.12.11.2	01B4	
	SIGN CONTROL AND 8 BIT ZONE ADDER	34.33.12.2	01B3	
	SIGN TRIGGER	44.11.31.2	02B7	
	SIGNAL DISTRIBUTION SHEET	36.49.11.2	01B1	
	SINGLE CYCLE PRINT CONTROLS NUMERIC	36.35.21.2	01A6	
	SINGLE CYCLE PRINT CONTROLS	36.35.21.2	01A6	
	SINGLE CYCLE PRINT CONTROLS	36.35.21.2	01A6	
	SINGLE CYCLE PRINT CONTROLS NUMERIC	36.35.21.2	01A6	
	SKEW ERROR & A REG VRC	TAU 89.50.51.1	00XA	
	SOCKET RESERVATIONS	TAU 89.90.11.9	00XB	
	SOCKET RESERVATIONS	TAU 89.90.12.8	00XC	
	SOCKET RESERVATIONS	TAU 89.90.12.9	00XC	
	SOCKET RESERVATIONS	TAU 89.90.10.8	00XA	
	SOCKET RESERVATIONS	TAU 89.90.10.9	00XA	
	SPACE COUNTER	36.46.21.2	01B1	
	SPACE SKIP REGISTER	36.44.11.2	01B1	
	SPACE SKIP COMPARE EQUAL	36.45.11.2	01B1	
	SPECIAL CHARACTER COMPARE	44.31.11.2	02A8	
	SPECIAL CHARACTER COMPARE	44.31.11.2	01B7	
	STACKER SELECT	36.50.11.2	01B4	
	START	31.01.11.2	01B2	
	STOP BRUSH INTEGRATION	36.41.11.2	01B1	
	STOP BRUSH INTEGRATION	36.41.21.2	01B1	
	STOP I-O ATTACHMENT	73.11.83.2	01B6	
	STOP SS TRIGGER	36.48.11.2	01B1	
	STOR ADDRESSING H8 LOCATION C14-D14	32.37.41.2	01A7	
	STOR ADDRESSING HA LOCATION C16-D16	32.38.11.2	01A7	
	STOR ADDRESSING HB LOCATION C17-D17	32.38.21.2	01A7	
	STOR ADDRESSING HCD LOCATION C15-D15	32.37.51.2	01A7	
	STOR ADDRESSING HCZ LOCATION C18-D18	32.38.31.2	01A7	
	STORAGE ADDR MANUAL CONTROL & RESET	32.30.11.2	01A7	
	STORAGE ADDRESS U1 LOCATION C01-D 1	32.35.11.2	01A7	
	STORAGE ADDRESS T1 LOCATION C06-D 6	32.36.11.2	01A7	
	STORAGE ADDRESS H1 LOCATION C11-D11	32.37.11.2	01A7	
	STORAGE ADDRESS U2 LOCATION C02-D 2	32.35.21.2	01A7	
	STORAGE ADDRESS T2 LOCATION C07-D 7	32.36.21.2	01A7	
	STORAGE ADDRESS H2 LOCATION C12-D12	32.37.21.2	01A7	
	STORAGE ADDRESS U4 LOCATION C03-D 3	32.35.31.2	01A7	
	STORAGE ADDRESS T4 LOCATION C08-D 8	32.36.31.2	01A7	
	STORAGE ADDRESS U8 LOCATION C04-D 4	32.35.41.2	01A7	
	STORAGE ADDRESS T8 LOCATION C09-D 9	32.36.41.2	01A7	
	STORAGE ADDRESS UA LOCATION C19-D19	42.61.01.2	01A7	
	STORAGE ADDRESS UB LOCATION C21-D21	42.61.03.2	01A7	
	STORAGE ADDRESS UCD LOCATION C05-D 5	32.35.51.2	01A7	
	STORAGE ADDRESS TCD LOCATION C10-D1	32.36.51.2	01A7	
	STORAGE ADDRESS UC2 LOCATION C20-D2	42.61.02.2	01A7	
	STORAGE ADDRESSING H4 LOCATION C13-D13	32.37.31.2	01A7	
	STORAGE CLOCK PULSES Z1 Z2	31.12.94.2	01B3	
	STORAGE CONTROL PULSE GENERATION	1406 42.67.02.2	06B4	
	STORAGE CORE FRAME REF. DWG.	1406 42.60.11.2	06B1	

724484	1401 ALPHABETICAL LOGIC LISTING	REFERENCE ONLY	00.00.00.2	EC #
	TITLE	LOGIC #	GATE	110324V
	STORAGE CORE FRAME REF. DWG.	1406 42.70.11.2	06B5	
	STORAGE CORE FRAMES REF DWG	42.40.11.2	01A1	
	STORE CONTROLS	41.51.41.2	02B6	
	STORE CYCLE DRIVERS	41.50.31.2	02B6	
	STORE I STAR	41.51.51.2	02B6	
	STORE INDEX CONTROL	41.51.31.2	02B6	
	STORE INDEX CYCLE TRIGGERS	41.50.21.2	02B6	
	STORE INDEX CYCLE TRIG GATES	41.50.11.2	02B6	
	STOR. CLOCK PULSES R1 R2 R3 STROBE A	31.12.93.2	01B3	
	SW CORE DRIVE TERM RES 4K REF DWG	42.40.41.1	01A1	
	SW CORE DRIVE TERM RES 2K REF DWG	42.40.42.2	01A1	
	SWITCH MODE	37.30.11.2	01A2	
	SWITCH MODE II	37.30.12.2	01A2	
	SWITCH MODE-INQUIRY MACH ONLY	37.30.11.2	01A2	
	SWITCHES AND INDICATORS CONSOLE	37.31.11.2	01A2	
	SWITCHES CONSOLE LOWER PANEL	37.10.11.2	01A2	
	SWITCHES LOWER PANEL	37.30.31.2	01A2	
	SWITCHES MANUAL ADDRESS THOUSANDS	37.30.22.2	01A2	
	SWITCHES MANUAL ADDRESS UNITS & TENS	37.30.21.2	01A2	
	T TIME 000-015 015-045	31.12.22.2	01B3	
	T TIME 000-030 030-060	31.12.12.2	01B3	
	T TIME 030-105 075-105 75-000	31.12.41.2	01B3	
	T TIME 045-060 015-030 060-075	31.12.31.2	01B3	
	T TIME 045-075 U TIME 0 60	31.12.92.2	01B3	
	T TIME 060-000 075-090 030-090	31.12.32.2	01B3	
	T TIME 060-090	31.12.11.2	01B3	
	T TIME 090-000	31.12.21.2	01B3	
	T TIME 090-105 105-000	31.12.42.2	01B3	
	T TIME 090-030 U TIME 075-105	31.12.91.2	01B3	
	TAPE AND RP OVERLAP MODE LATCHES	74.21.01.2	02B1	
	TAPE OVERLAP CONTROL INTERLOCK	74.41.11.2	02B1	
	TAPE UNIT LINES TAU	89.60.50.1	00XA	
	TAPE UNIT LINES TAU	89.60.51.1	00XA	
	TENS ADDRESS DECODE	36.38.41.2	01B5	
	TENS DECODE SWITCH 1406	42.64.11.2	06B1	
	TENS DECODE SWITCH 1406	42.74.11.2	06B5	
	TENS HAMMER DRIVE	36.38.31.2	01B5	
	TENS RING SWITCHES	46.10.81.2	01A4	
	TENS RING SWITCHES AND INHIBIT TERM	46.10.91.2	01A4	
	TIE DOWN LIST REFERENCE DRAWING	42.40.10.2	01A1	
	TRANSFER PROGRAM	75.01.09.2	02A8	
	TRANSFER PROGRAM SKIP	34.21.41.2	01B6	
	TRANSFER SCAN MAR CONTROL	56.12.11.2	01B7	
	TRANSLATE AND CHECK DIGIT	34.32.18.2	01B3	
	TRUE COMPLEMENT	34.31.12.2	01B3	
	TRUE COMPLEMENT BINARY ENTRY	44.18.31.2	02A7	
	TRUE COMPLEMENT ANALYSIS	34.31.11.2	01B3	
	TRUE COMPLEMENT QUINARY ENTRY	44.18.41.2	02A7	
	U TIME 000-015 060-090	31.12.61.2	01B3	
	U TIME 000-030 030-060 T TIME 000-6	31.12.51.2	01B3	
	U TIME 030-045 045-060 60-075	31.12.71.2	01B3	
	U TIME 105-000 090-000	31.12.62.2	01B3	
	U0-U4 HAMMER DRIVE	36.38.01.2	01B5	
	U5-U9 HAMMER DRIVE	36.38.11.2	01B5	
	UNIT PLUGGING CHART TAU	89.90.11.1	00XB	
	UNIT PLUGGING CHART TAU	89.90.12.1	00XC	
	UNIT PLUGGING CHART TAU	89.90.51.1	00XA	
	UNIT PLUGGING CHART	31.01.20.2	01B2	

724464	1401 ALPHABETICAL LOGIC LISTING	REFERENCE ONLY	00.00.00.2	EC #
	TITLE	LOGIC #	GATE	110324V
	UNIT PLUGGING CHART	31.10.20.2	01B3	
	UNIT PLUGGING CHART	31.31.30.2	01B6	
	UNIT PLUGGING CHART	32.30.20.2	01A7	
	UNIT PLUGGING CHART	32.36.02.2	01A8	
	UNIT PLUGGING CHART	35.10.20.2	01A3	
	UNIT PLUGGING CHART	35.20.20.2	01B1	
	UNIT PLUGGING CHART	36.01.10.2	01A6	
	UNIT PLUGGING CHART	36.01.20.2	01B4	
	UNIT PLUGGING CHART	36.17.20.2	01B7	
	UNIT PLUGGING CHART	36.17.20.2	01B7	
	UNIT PLUGGING CHART	36.30.20.2	01A6	
	UNIT PLUGGING CHART	36.30.20.2	01A6	
	UNIT PLUGGING CHART	36.30.30.2	01A6	
	UNIT PLUGGING CHART	36.37.10.2	01B5	
	UNIT PLUGGING CHART	37.10.10.2	01A2	
	UNIT PLUGGING CHART	41.10.10.2	02B8	
	UNIT PLUGGING CHART	41.50.00.2	02B6	
	UNIT PLUGGING CHART	42.53.20.2	01A1	
	UNIT PLUGGING CHART	1406 42.63.00.2	06B1	
	UNIT PLUGGING CHART	1406 42.64.00.2	06B4	
	UNIT PLUGGING CHART	1406 42.73.10.2	06B5	
	UNIT PLUGGING CHART	44.15.10.2	02A7	
	UNIT PLUGGING CHART	44.30.01.2	01B7	
	UNIT PLUGGING CHART	44.30.02.2	02A8	
	UNIT PLUGGING CHART	44.44.10.2	02B7	
	UNIT PLUGGING CHART	ERM 46.10.10.2	01A4	
	UNIT PLUGGING CHART	46.36.20.2	01A5	
	UNIT PLUGGING CHART	46.51.00.2	01A5	
	UNIT PLUGGING CHART	70.10.11.2	02A2	
	UNIT PLUGGING CHART	71.10.11.2	02A1	
	UNIT PLUGGING CHART	73.11.82.2	02A2	
	UNIT PLUGGING CHART	74.11.10.2	02B1	
	UNITS ADDRESS DECODE	36.38.51.2	01B5	
	UNITS DECODE SWITCH	42.53.11.2	01A1	
	UNITS DECODE SWITCH	1406 42.63.11.2	06B1	
	UNITS DECODE SWITCH	1406 42.73.11.2	06B9	
	UNITS HAMMER DRIVE DISTRIBUTION	36.38.21.2	01B9	
	UNITS RING SWITCHES	46.10.71.2	01A4	
	UNITS ZONE SERIALIZING GATE	42.61.04.2	01A7	
	UTIME90-105 30-90 75-90 30-000 60 9	31.12.81.2	01B3	
	VALIDITY CHECK	36.13.31.2	01B4	
	VOLTAGE DISTRIBUTION	71.71.51.2	02A1	
	WRITE CLOCK	TAU 89.20.20.1	00XB	
	WRITE CLOCK AND DELAY COUNT DRIVE	TAU 89.20.10.1	00XB	
	WRITE CLOCK GATING	TAU 89.20.30.1	00XB	
	WRITE CONDITION	TAU 89.60.30.1	00XA	
	WRITE DELAY CONTROL	TAU 89.30.11.1	00XB	
	WRITE DISC TAPE MARK ERASE	TAU 89.60.31.1	00XA	
	WRITE GATING	70.51.21.2	02A2	
	WRITE GATING	70.51.21.2	02A2	
	WRITE GATING	70.51.31.2	02A2	
	WRITE GATING	70.51.31.2	02A2	
	WRITE GATING INPUT TO TAU	71.51.21.2	02A1	
	WRITE GATING-O REG. STORE A REG.	74.11.61.2	02B1	
	X POSITION LAT AND MULTIPLIER LAT	44.11.21.2	02B7	
	ZONE BIT GENERATOR	36.33.11.2	01B3	

1401-25000 SERIES - PREREQUISITE CHARTS

Included with the 1401-25000 B/M Index are three prerequisite charts. Each chart shows the entire Field Bill of Material structure for its stage of machine. The 25000 Series machines use a gate oriented prerequisite structure - each change on a gate becomes the prerequisite for the next change on that gate. The few exceptions will be noted later.

The charts are arranged to show each gate as a vertical column; the changes progress in sequence down the column. The horizontal lines are used to connect gates affected by the same B/M. The lines containing arrows, both vertical and horizontal, show companion B/M's. Companions are required only in the direction of the arrow (see note on each page). If none of the B/M's are installed on a specific gate, only the release levels will appear on the logics; these release levels are not shown on the charts.

Gates that were radically changed from one stage to the next were assigned new part numbers. The logic index page (SDI) received a new part number, as did all logics on that gate. The SDI part number is listed at the top of each column to properly identify the specific gate involved.

Some gates have more than one feature configuration, e.g. 01A6, 01B7, 02A2. The SDI part number will identify the correct gate. The 02A2 CM gate has the magnetic tape circuitry only. The 02A2 I/O gate has the back panel wiring for both Serial I/O device and magnetic tapes regardless of whether the machine has magnetic tapes.

B/M's that have companions in other units (1402, etc.) are referenced to the companion B/M's which are listed at the bottom of the chart.

1. The following notes apply to the IFC chart:

B/M 485756 appears on IFC gate 01B4. This change adds the circuitry for Solar CB's and it was written with logic insert pages. This prevents its being called out as a prerequisite by subsequent changes. Changes after B/M 485756 can be installed without installing B/M 485756.

The Magnetic Emitter change is a somewhat similar situation. B/M 485756 can be installed without previously installing all prior changes on gate 01B1. Logic inserts allow the previous five B/M's to be shipped. Refer to CEM 635 and 677 for actual prerequisites.

There are two TAU 00XA gates and two 00XB gates used on IFC machines. The old 00XA gate was used on factory installed TAU below serial 26410. The old 00XB gate was used on factory installed TAU below serial 26095.

All machines regardless of serial number, with field installed TAU will have the new gates. The new 00XA gate is called the O-Register gate; the new 00XB gate is referred to as the 00XB - 800 CPI gate.

2. The following notes apply to the IFCX chart only.

The top four B/M's listed (485863, 485864, 485813, and 485849) represent the changes which converted from IFC to IFCX. These E. C.'s are shown on many logics as the release levels of the gates involved.

On gate 01B1, B/M 486140, Magnetic Emitter has logic inserts to reduce prerequisites. Refer to CEM 635 and 677 for Magnetic Emitter prerequisites.

This sheet should be inserted in ALD book number one with the Prerequisite Charts for future reference.

INSTALLATION INSTRUCTIONS

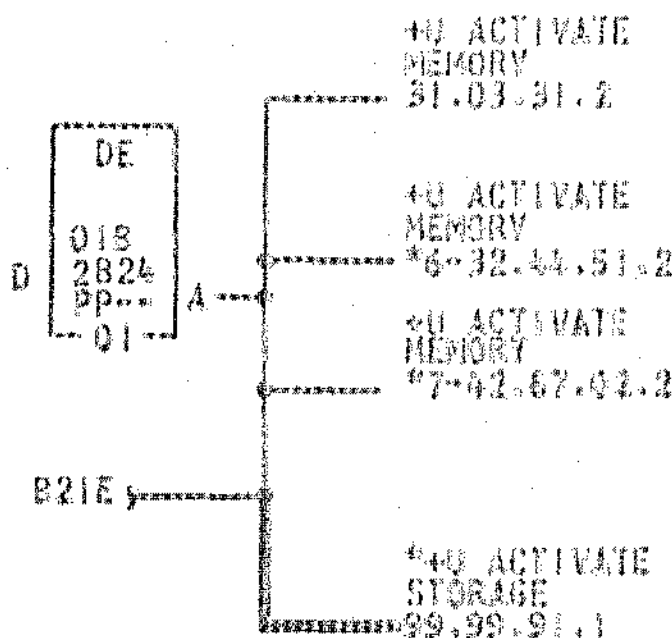
NO. 486444

NAME

SHEET 32 OF 32

8.14

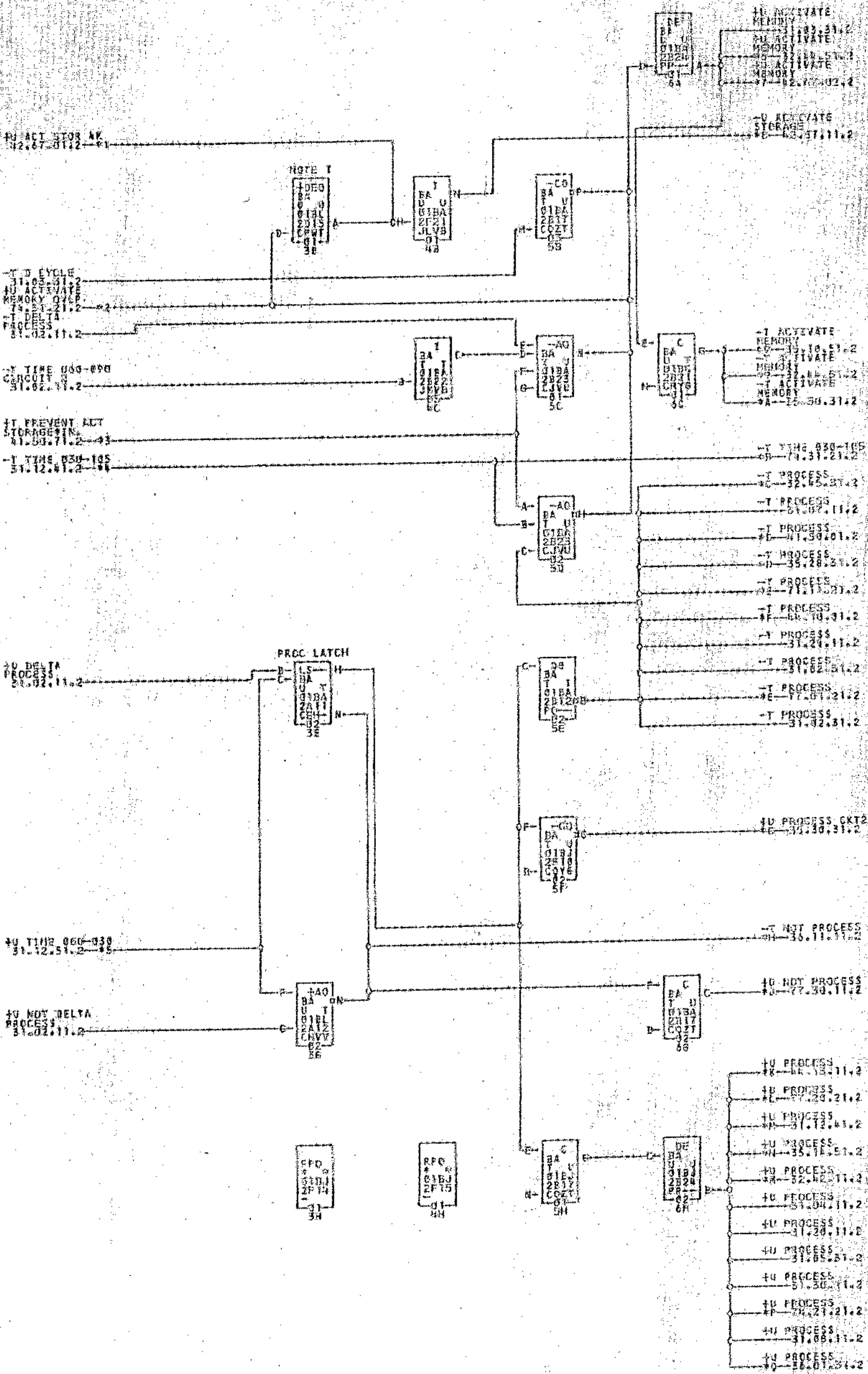
ALTER LOGIC 31-02.01.2, GATE 01B2, ALL MACHINES, AS FOLLOWS:



----- ADDED
 _____ EXISTING

SIGNALS PRECEDED BY AN ASTERISK INDICATE DIRECT CABLE EXPANSION

DATE	9-26-63	10-8-63							SHEET 32 OF 32
NO.	118320	118320F	118320G						

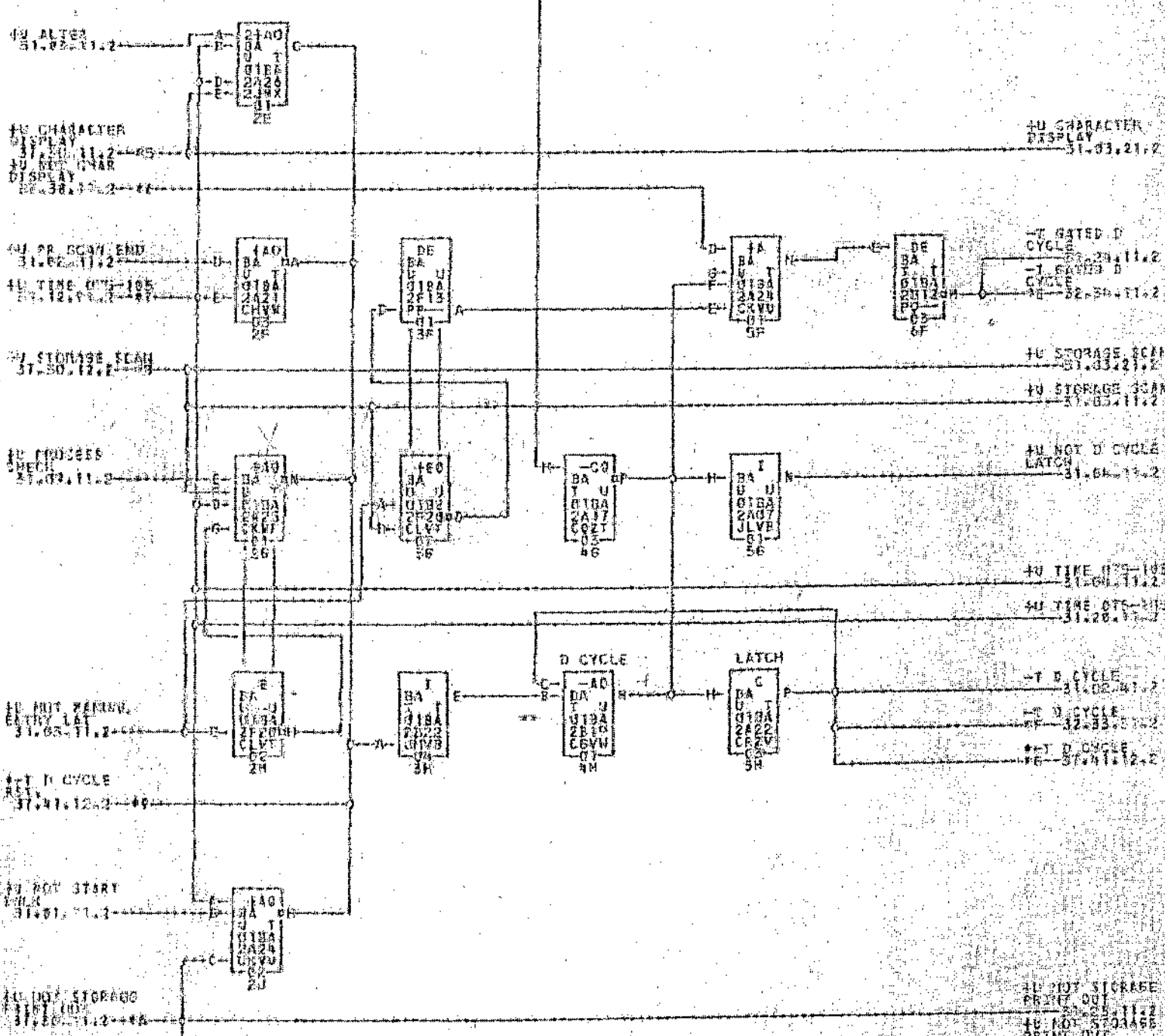
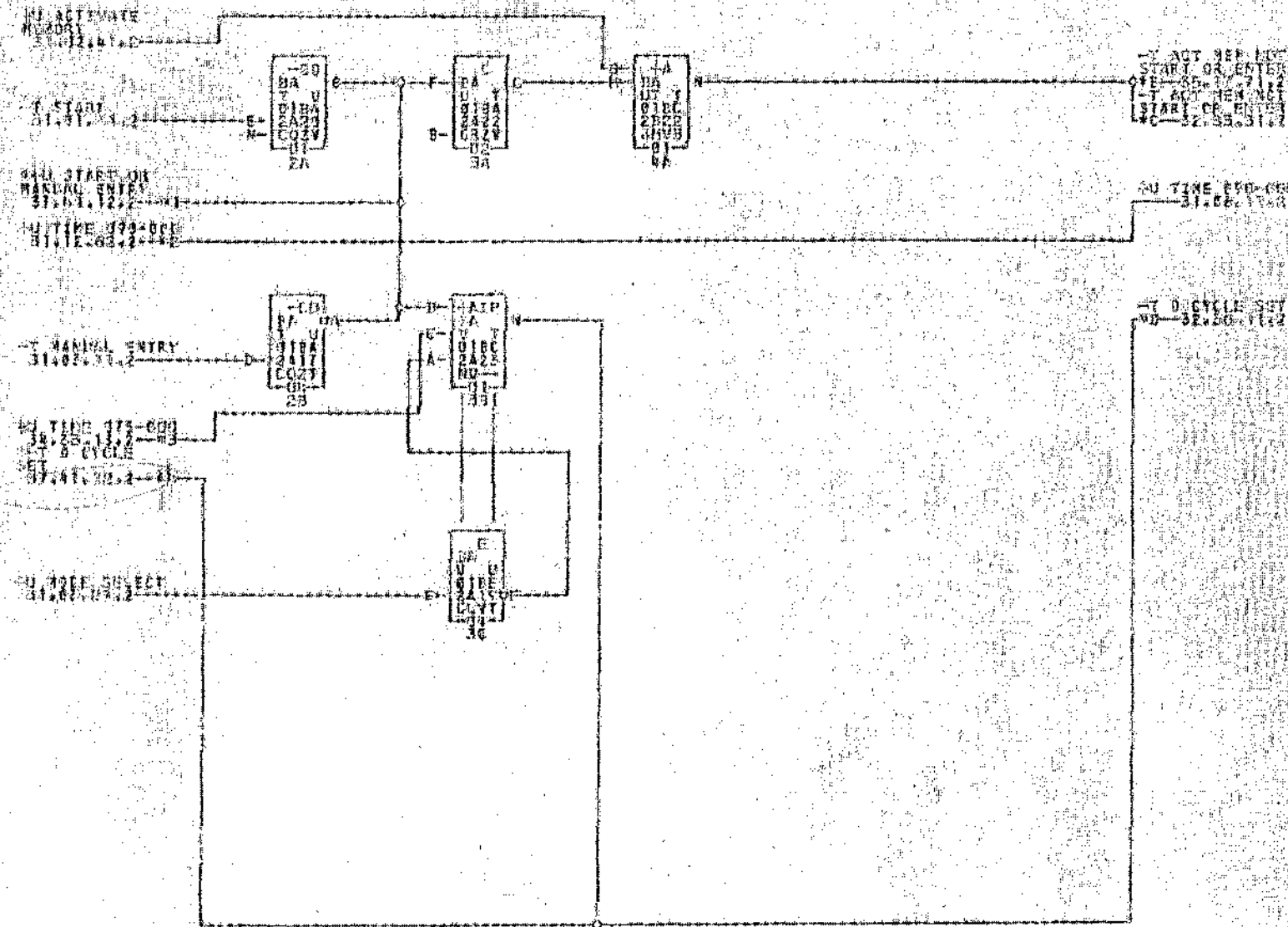


*1-01B2E65L	01A87A12L	*2-01B2D05C	*3-01B2A02N	*4-01B2E68D	*5-01B2E61M
*2-01B2E65L	01A87A25K	*4-01B2E05K	*4-01B2A02N	*5-01B2E68D	*6-01B2E61M
*3-01B2E65L	01A87A25K	*5-01A1F07K	*5-01B2E02L	*6-01A2026J	*7-01B2E63D
*4-01B2E65L	*8-01B2D05A	*6-02A0A074	*6-02B1E03N	*7-01B2E61M	*8-01B2E63D
*5-01B2E65L	01B10010	*7-01B2C03D	*7-02A0D016	*8-02A0209	*9-01B2A02N
*6-01B2E65L	02B1E010	*8-01B2E03S	*8-01B2E016	*9-01B2A02N	*A-01B2E61M
*7-01B2E65L	01B88720	*9-01B2E03S	*9-01B2E016	*A-01B2A02N	*B-01B2E63D
*8-01B2E65L	*11-01B2E02A	*A-01B2E03S	*A-01B2E016	*B-01B2A02N	*C-01B2E63D
*9-01B2E65L	01A2D05N	*B-01B2E03S	*B-01B2E016	*C-01B2A02N	*D-01B2E63D
*A-01B2E65L		*C-01B2E03S	*C-01B2E016	*D-01B2A02N	*E-01B2E63D
*B-01B2E65L		*D-01B2E03S	*D-01B2E016	*E-01B2A02N	*F-01B2E63D
*C-01B2E65L		*E-01B2E03S	*E-01B2E016	*F-01B2A02N	*G-01B2E63D
*D-01B2E65L		*F-01B2E03S	*F-01B2E016	*G-01B2A02N	*H-01B2E63D
*E-01B2E65L		*G-01B2E03S	*G-01B2E016	*H-01B2A02N	*I-01B2E63D
*F-01B2E65L		*H-01B2E03S	*H-01B2E016	*I-01B2A02N	*J-01B2E63D
*G-01B2E65L		*I-01B2E03S	*I-01B2E016	*J-01B2A02N	*K-01B2E63D
*H-01B2E65L		*J-01B2E03S	*J-01B2E016	*K-01B2A02N	*L-01B2E63D
*I-01B2E65L		*K-01B2E03S	*K-01B2E016	*L-01B2A02N	*M-01B2E63D
*J-01B2E65L		*L-01B2E03S	*L-01B2E016	*M-01B2A02N	*N-01B2E63D
*K-01B2E65L		*M-01B2E03S	*M-01B2E016	*N-01B2A02N	*O-01B2E63D
*L-01B2E65L		*N-01B2E03S	*N-01B2E016	*O-01B2A02N	*P-01B2E63D
*M-01B2E65L		*O-01B2E03S	*O-01B2E016	*P-01B2A02N	*Q-01B2E63D
*N-01B2E65L		*P-01B2E03S	*P-01B2E016	*Q-01B2A02N	*R-01B2E63D
*O-01B2E65L		*Q-01B2E03S	*Q-01B2E016	*R-01B2A02N	*S-01B2E63D
*P-01B2E65L		*R-01B2E03S	*R-01B2E016	*S-01B2A02N	*T-01B2E63D
*Q-01B2E65L		*S-01B2E03S	*S-01B2E016	*T-01B2A02N	*U-01B2E63D
*R-01B2E65L		*T-01B2E03S	*T-01B2E016	*U-01B2A02N	*V-01B2E63D
*S-01B2E65L		*U-01B2E03S	*U-01B2E016	*V-01B2A02N	*W-01B2E63D
*T-01B2E65L		*V-01B2E03S	*V-01B2E016	*W-01B2A02N	*X-01B2E63D
*U-01B2E65L		*W-01B2E03S	*W-01B2E016	*X-01B2A02N	*Y-01B2E63D
*V-01B2E65L		*X-01B2E03S	*X-01B2E016	*Y-01B2A02N	*Z-01B2E63D
*W-01B2E65L		*Y-01B2E03S	*Y-01B2E016	*Z-01B2A02N	
*X-01B2E65L		*Z-01B2E03S	*Z-01B2E016		
*Y-01B2E65L					
*Z-01B2E65L					

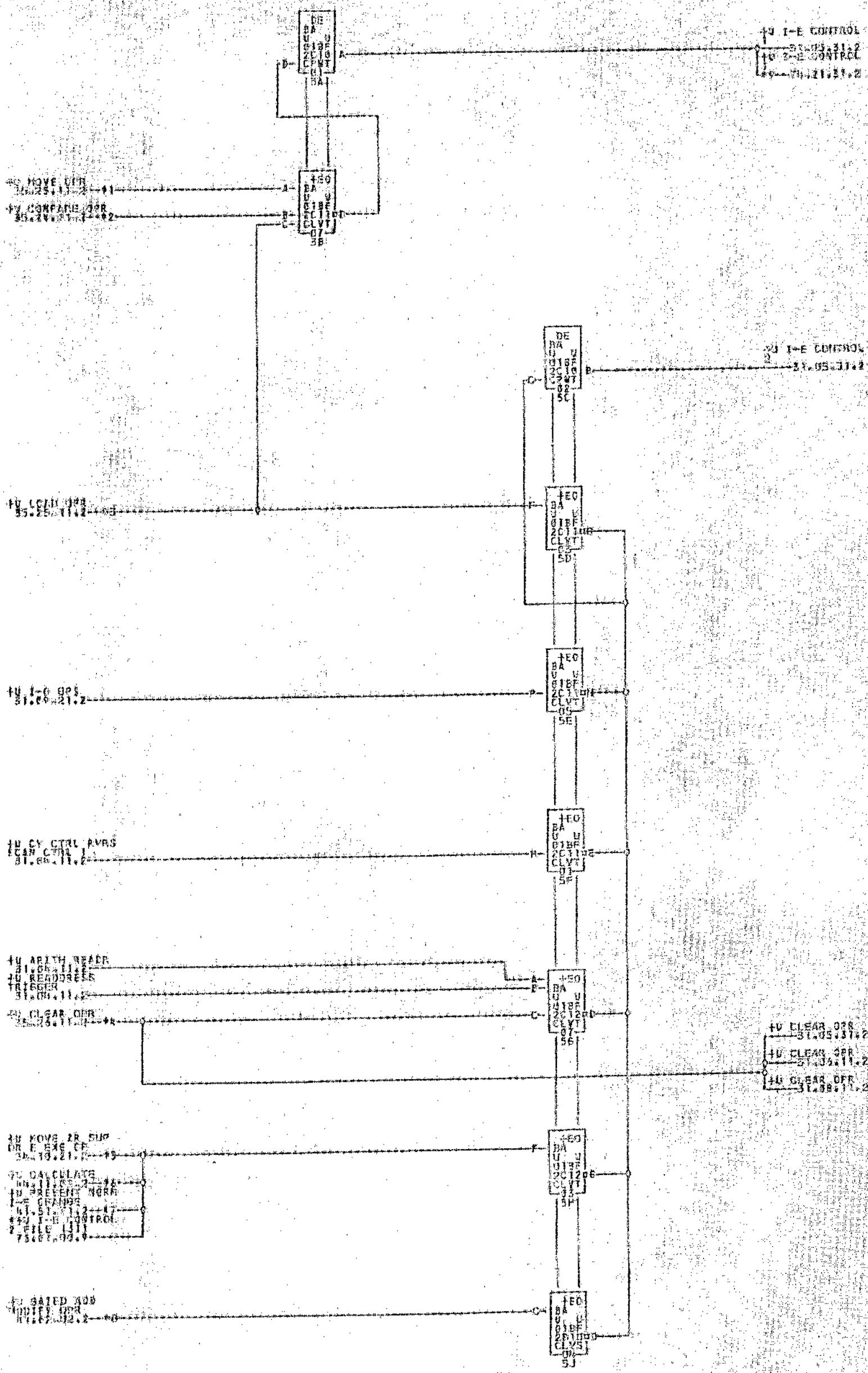
NOTE: IN MACH. 8K AND UP, B15 IS DPT ORD. WITH P21 ON PAGE 32.67.01.2

COMMENTS

FILE	DATE	E.C. NO.	TAG	DATE	FILE	DATE	E.C. NO.	TAG	DATE	FILE	DATE	E.C. NO.	TAG	DATE
U	03-16-64	1103202	B	03-16-64	U	03-16-64	1103202	B	03-16-64	U	03-16-64	1103202	B	03-16-64
U	03-01-64	1103202	B	03-01-64	U	03-01-64	1103202	B	03-01-64	U	03-01-64	1103202	B	03-01-64



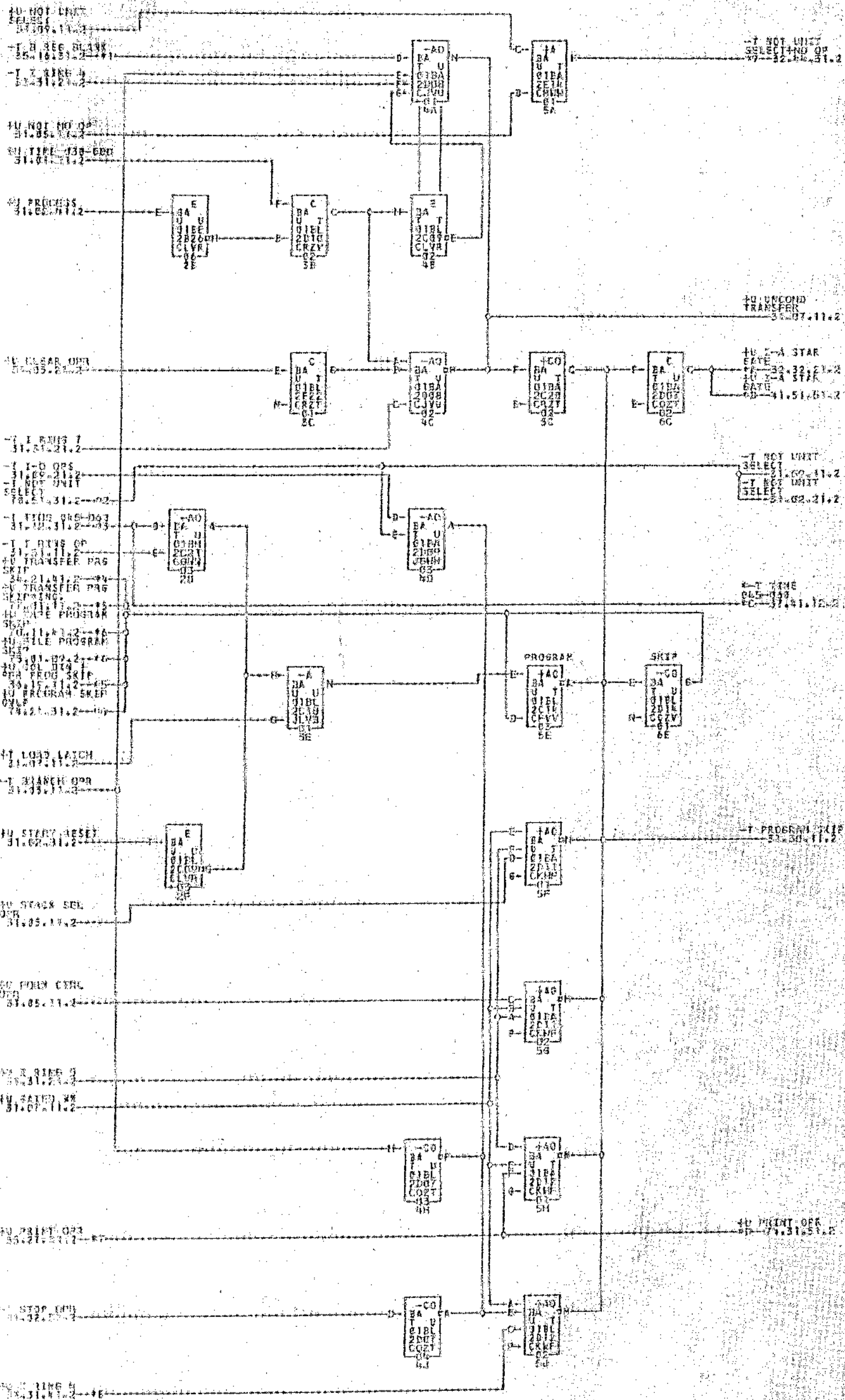
- 11-01B2222T
- 12-01B2222T
- 13-01B2222T
- 14-01B2222T
- 15-01B2222T
- 16-01B2222T
- 17-01B2222T
- 18-01B2222T
- 19-01B2222T
- 20-01B2222T
- 21-01B2222T
- 22-01B2222T
- 23-01B2222T
- 24-01B2222T
- 25-01B2222T
- 26-01B2222T
- 27-01B2222T
- 28-01B2222T
- 29-01B2222T
- 30-01B2222T
- 31-01B2222T
- 32-01B2222T
- 33-01B2222T
- 34-01B2222T
- 35-01B2222T
- 36-01B2222T
- 37-01B2222T
- 38-01B2222T
- 39-01B2222T
- 40-01B2222T
- 41-01B2222T
- 42-01B2222T
- 43-01B2222T
- 44-01B2222T
- 45-01B2222T
- 46-01B2222T
- 47-01B2222T
- 48-01B2222T
- 49-01B2222T
- 50-01B2222T
- 51-01B2222T
- 52-01B2222T
- 53-01B2222T
- 54-01B2222T
- 55-01B2222T
- 56-01B2222T
- 57-01B2222T
- 58-01B2222T
- 59-01B2222T
- 60-01B2222T
- 61-01B2222T
- 62-01B2222T
- 63-01B2222T
- 64-01B2222T
- 65-01B2222T
- 66-01B2222T
- 67-01B2222T
- 68-01B2222T
- 69-01B2222T
- 70-01B2222T
- 71-01B2222T
- 72-01B2222T
- 73-01B2222T
- 74-01B2222T
- 75-01B2222T
- 76-01B2222T
- 77-01B2222T
- 78-01B2222T
- 79-01B2222T
- 80-01B2222T
- 81-01B2222T
- 82-01B2222T
- 83-01B2222T
- 84-01B2222T
- 85-01B2222T
- 86-01B2222T
- 87-01B2222T
- 88-01B2222T
- 89-01B2222T
- 90-01B2222T
- 91-01B2222T
- 92-01B2222T
- 93-01B2222T
- 94-01B2222T
- 95-01B2222T
- 96-01B2222T
- 97-01B2222T
- 98-01B2222T
- 99-01B2222T
- 100-01B2222T



*1--01B2502B
 *2--01B2502B
 *3--01B2502B
 *4--01B2502B
 *5--01B2502B
 *6--01B2502B

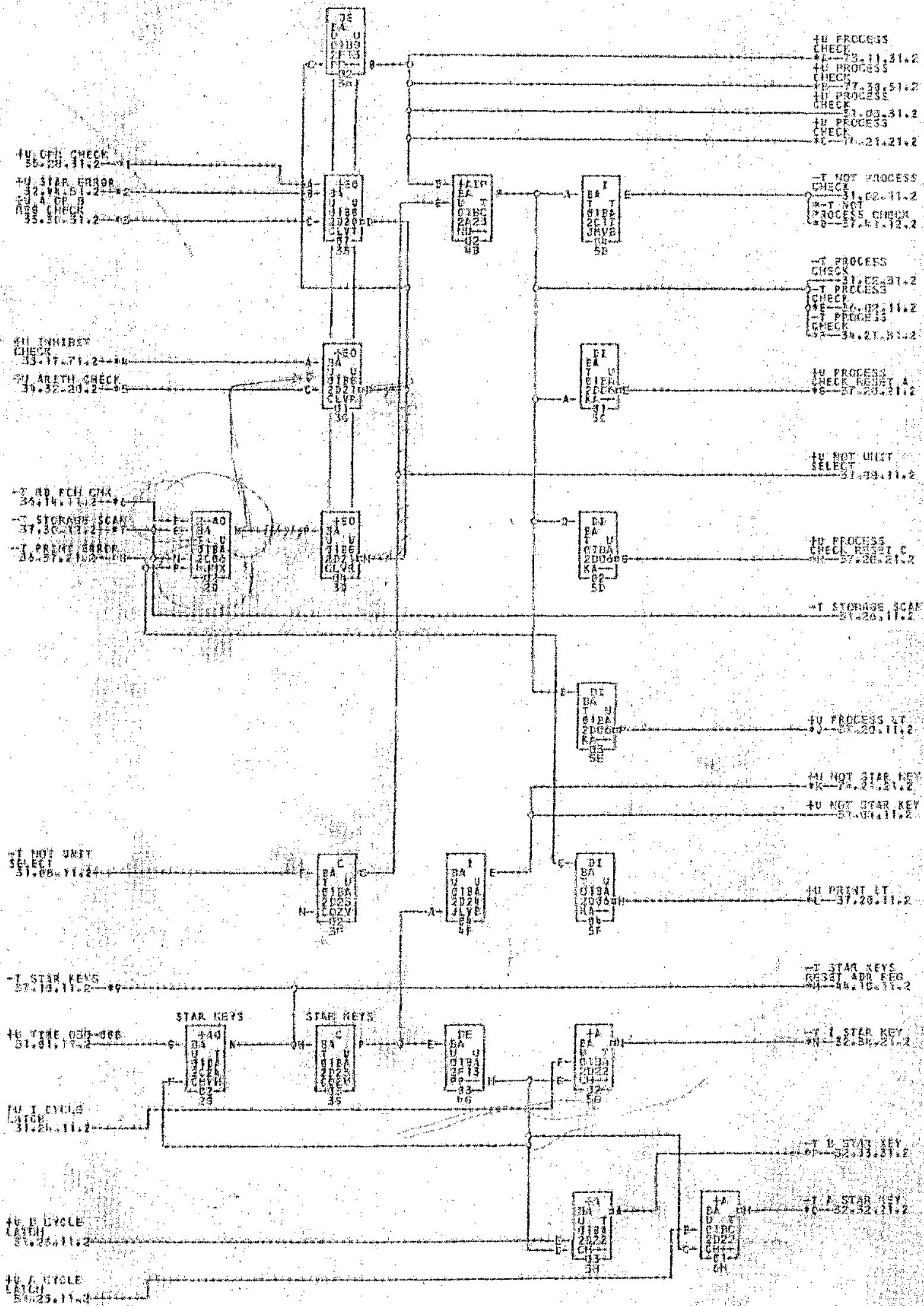
TAB DATE E.C. NO. TAB DATE E.C. NO. TAB DATE E.C. NO. TAB DATE E.C. NO. TAB DATE E.C. NO.
 12-01-61 103244 12-24-62 103244 12-27-61 103244 12-11-61 103244

NOTE: ASTERISK PRECEDING SIGNAL INDICATES DIRECT CABLE EXPANSION



- *1-0122000
- *2-0122001
- *3-0122002
- *4-0122003
- *5-0122004
- *6-0122005
- *7-0122006
- *8-0122007
- *9-0122008
- *10-0122009
- *11-0122010
- *12-0122011
- *13-0122012
- *14-0122013
- *15-0122014
- *16-0122015
- *17-0122016
- *18-0122017
- *19-0122018
- *20-0122019
- *21-0122020
- *22-0122021
- *23-0122022
- *24-0122023
- *25-0122024
- *26-0122025
- *27-0122026
- *28-0122027
- *29-0122028
- *30-0122029
- *31-0122030
- *32-0122031
- *33-0122032
- *34-0122033
- *35-0122034
- *36-0122035
- *37-0122036
- *38-0122037
- *39-0122038
- *40-0122039
- *41-0122040
- *42-0122041
- *43-0122042
- *44-0122043
- *45-0122044
- *46-0122045
- *47-0122046
- *48-0122047
- *49-0122048
- *50-0122049
- *51-0122050
- *52-0122051
- *53-0122052
- *54-0122053
- *55-0122054
- *56-0122055
- *57-0122056
- *58-0122057
- *59-0122058
- *60-0122059
- *61-0122060
- *62-0122061
- *63-0122062
- *64-0122063
- *65-0122064
- *66-0122065
- *67-0122066
- *68-0122067
- *69-0122068
- *70-0122069
- *71-0122070
- *72-0122071
- *73-0122072
- *74-0122073
- *75-0122074
- *76-0122075
- *77-0122076
- *78-0122077
- *79-0122078
- *80-0122079
- *81-0122080
- *82-0122081
- *83-0122082
- *84-0122083
- *85-0122084
- *86-0122085
- *87-0122086
- *88-0122087
- *89-0122088
- *90-0122089
- *91-0122090
- *92-0122091
- *93-0122092
- *94-0122093
- *95-0122094
- *96-0122095
- *97-0122096
- *98-0122097
- *99-0122098
- *100-0122099
- *101-0122100
- *102-0122101
- *103-0122102
- *104-0122103
- *105-0122104
- *106-0122105
- *107-0122106
- *108-0122107
- *109-0122108
- *110-0122109
- *111-0122110
- *112-0122111
- *113-0122112
- *114-0122113
- *115-0122114
- *116-0122115
- *117-0122116
- *118-0122117
- *119-0122118
- *120-0122119
- *121-0122120
- *122-0122121
- *123-0122122
- *124-0122123
- *125-0122124
- *126-0122125
- *127-0122126
- *128-0122127
- *129-0122128
- *130-0122129
- *131-0122130
- *132-0122131
- *133-0122132
- *134-0122133
- *135-0122134
- *136-0122135
- *137-0122136
- *138-0122137
- *139-0122138
- *140-0122139
- *141-0122140
- *142-0122141
- *143-0122142
- *144-0122143
- *145-0122144
- *146-0122145
- *147-0122146
- *148-0122147
- *149-0122148
- *150-0122149
- *151-0122150
- *152-0122151
- *153-0122152
- *154-0122153
- *155-0122154
- *156-0122155
- *157-0122156
- *158-0122157
- *159-0122158
- *160-0122159
- *161-0122160
- *162-0122161
- *163-0122162
- *164-0122163
- *165-0122164
- *166-0122165
- *167-0122166
- *168-0122167
- *169-0122168
- *170-0122169
- *171-0122170
- *172-0122171
- *173-0122172
- *174-0122173
- *175-0122174
- *176-0122175
- *177-0122176
- *178-0122177
- *179-0122178
- *180-0122179
- *181-0122180
- *182-0122181
- *183-0122182
- *184-0122183
- *185-0122184
- *186-0122185
- *187-0122186
- *188-0122187
- *189-0122188
- *190-0122189
- *191-0122190
- *192-0122191
- *193-0122192
- *194-0122193
- *195-0122194
- *196-0122195
- *197-0122196
- *198-0122197
- *199-0122198
- *200-0122199

NOTE: THIS IS A PRELIMINARY DRAWING. ALL DIMENSIONS ARE IN INCHES UNLESS OTHERWISE SPECIFIED. THE DRAWING IS THE PROPERTY OF THE COMPANY AND IS NOT TO BE REPRODUCED OR TRANSMITTED IN ANY FORM OR BY ANY MEANS, ELECTRONIC OR MECHANICAL, INCLUDING PHOTOCOPYING, RECORDING, OR BY ANY INFORMATION STORAGE AND RETRIEVAL SYSTEM. THE COMPANY ASSUMES NO LIABILITY FOR DAMAGES OF ANY KIND ARISING FROM THE USE OF THIS DRAWING.



*1--01220001	*2--01220002	*3--01220003	*4--01220004	*5--01220005	*6--01220006
*7--01220007	*8--01220008	*9--01220009	*10--01220010	*11--01220011	*12--01220012
*13--01220013	*14--01220014	*15--01220015	*16--01220016	*17--01220017	*18--01220018
*19--01220019	*20--01220020	*21--01220021	*22--01220022	*23--01220023	*24--01220024
*25--01220025	*26--01220026	*27--01220027	*28--01220028	*29--01220029	*30--01220030
*31--01220031	*32--01220032	*33--01220033	*34--01220034	*35--01220035	*36--01220036
*37--01220037	*38--01220038	*39--01220039	*40--01220040	*41--01220041	*42--01220042
*43--01220043	*44--01220044	*45--01220045	*46--01220046	*47--01220047	*48--01220048
*49--01220049	*50--01220050	*51--01220051	*52--01220052	*53--01220053	*54--01220054
*55--01220055	*56--01220056	*57--01220057	*58--01220058	*59--01220059	*60--01220060
*61--01220061	*62--01220062	*63--01220063	*64--01220064	*65--01220065	*66--01220066
*67--01220067	*68--01220068	*69--01220069	*70--01220070	*71--01220071	*72--01220072
*73--01220073	*74--01220074	*75--01220075	*76--01220076	*77--01220077	*78--01220078
*79--01220079	*80--01220080	*81--01220081	*82--01220082	*83--01220083	*84--01220084
*85--01220085	*86--01220086	*87--01220087	*88--01220088	*89--01220089	*90--01220090
*91--01220091	*92--01220092	*93--01220093	*94--01220094	*95--01220095	*96--01220096
*97--01220097	*98--01220098	*99--01220099	*100--01220100		

NOT GIVEN TO SIGNATURES PREPARED BY AN ASSEMBLER. THIS IS A PAMPHLET WHICH IS A COPY OF THE ORIGINAL DOCUMENT. CONTAIN INSTALLATION.

DATE: 10-24-62

INSTALLATION INSTRUCTIONS

48644

PLATE

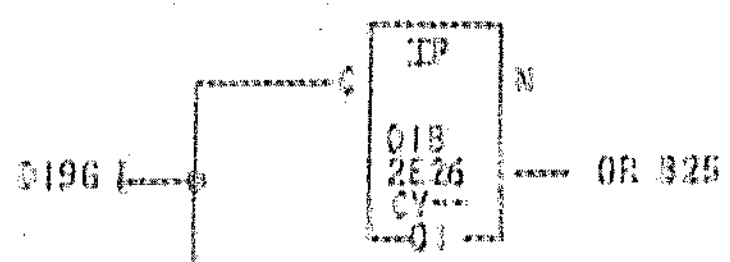
SHEET 3

APPROVED

BY

3.15

ALTER LOGIC 31-09.21.2, GATE 01B2, ALL MACHINES, AS FOLLOWS:



- *T I-O OPS 31-08.11.2
- *T I-O OPS 31-02.11.2
- *T I-O OPS 99-99.31.1

----- ADDED
 - - - - - EXISTING

SIGNALS PRECEDED BY AN ASTERISK INDICATE DIRECT CABLE EXPANSION

DATE

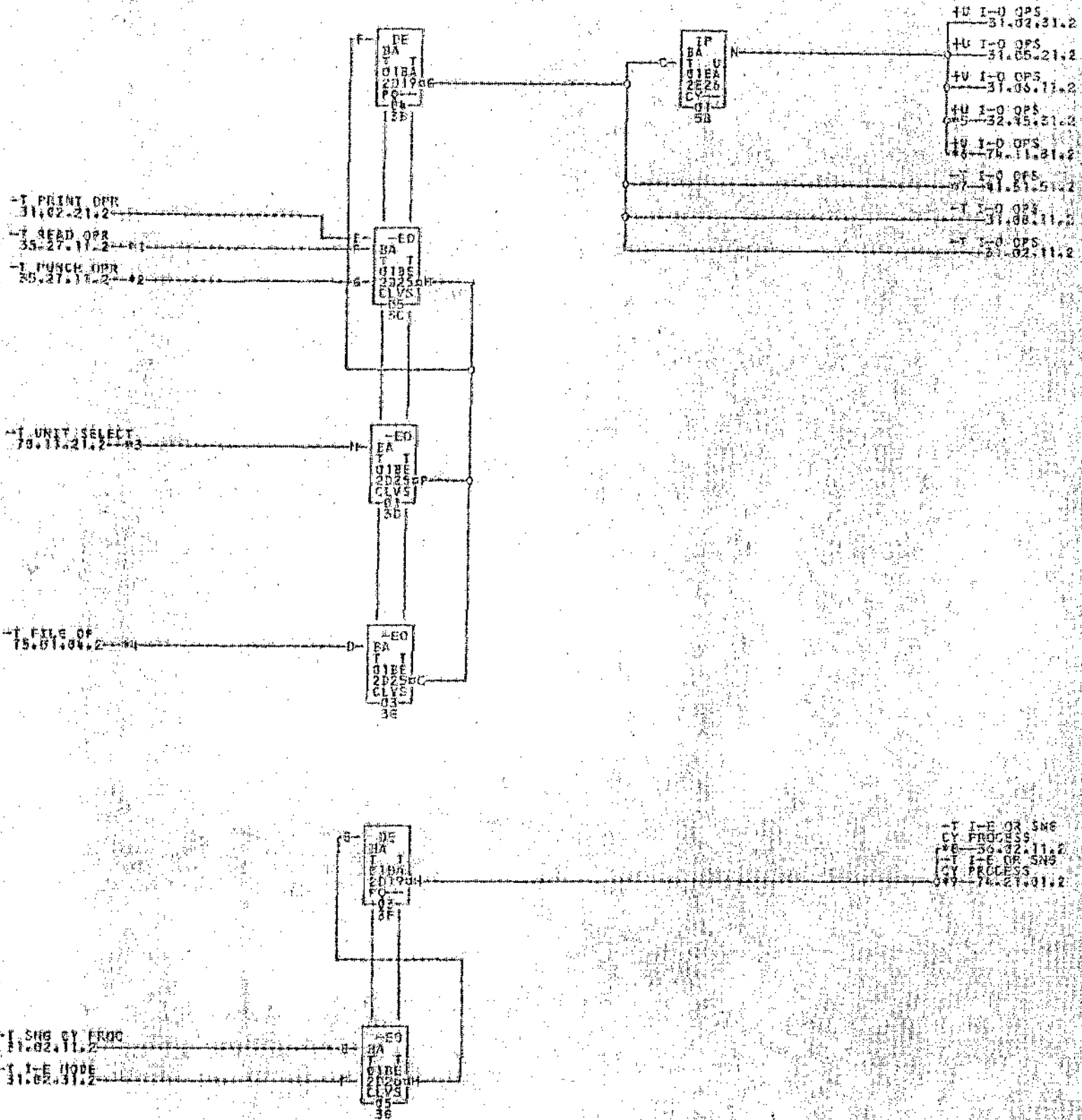
9-25-63 10-8-63

118320

118320F 118320G

JACO FRAS

FORM 800-700-0



- *1--01B2B02H
- *2--01B2B02D
- *3--01B2C0510
- *4--01B2A05E
- *5--02A9F17C
- *6--B2A8F24H
- *7--01B2B01V
- *8--01A4D080N
- *9--01B2A05N
- *10--02B1E01N
- *11--01B2A02E
- *12--02A9A93D
- *13--02A8D05E
- *14--02B8A02F
- *15--01B2B04C
- *16--01B4E04C
- *17--01B2A05R
- *18--02A9A93D

0123998

FEED THROUGH AND DISTRIBUTION SHEET

31.09.51.2

-T NOT START
RESET
37.50.11.2

-T NOT START
RESET
42.55.01.2
-T NOT START
RESET
31.04.11.2
-T NOT START
RESET
41.50.01.2

+U ALL SCAN
COMP
30.01.11.2

+U ALL SCAN
COMP
41.51.51.2
+U ALL SCAN
COMP
51.03.31.2
+U ALL SCAN
COMP
31.20.11.2
+U ALL SCAN
COMP
31.02.11.2

-U LOAD TAPE
71.77.21.2

-U LOAD TAPE
44.18.01.2
-U LOAD TAPE
31.21.11.2
-U LOAD TAPE
31.22.11.2
-U LOAD TAPE
31.23.11.2

+U NOT REGEN
B REG WM
36.12.21.2
+U FORCE C
DIGIT
56.12.11.2

-U LOAD TAPE
31.31.31.2
+U NOT REGEN
B REG WM
38.18.21.2
+U FORCE
C DIGIT
35.15.11.2

+U GATED
LOAD KEY
39.10.21.2

+U GATED
LOAD KEY
44.18.01.2
+U GATED
LOAD KEY
31.27.11.2
+U GATED
LOAD KEY
31.21.11.2
+U GATED
LOAD KEY
31.23.11.2

-T SET B A REG
RD-FCH
36.12.21.2

-T SET B A REG
RD-FCH
35.13.51.2

-T NOT MLP
36.13.21.2

-T NOT MLP
35.17.71.2

-T NOT A REG
ERROR RESET
70.01.21.2

-T NOT A REG
ERROR RESET
25.00.31.2

+U STOP I-O
73.11.03.2

+U STOP I-O
73.12.21.2

+U NOT A FOR B
SUBSTITUTE
75.01.06.2

+U NOT A FOR B
SUBSTITUTE
32.33.31.2

+U B REG NOT WM
39.14.01.2

+U B REG NOT WM
32.54.31.2

-T FILE TRANS
A REG WM
75.01.06.2

-T FILE TRANS
A REG WM
35.14.51.2

-T NOT I+I-O
OVL P MODE
71.21.01.2

-T NOT I+I-O
OVL P MODE
56.22.11.2

*1-01B2F03H
*2-01B2B04N
*3-01B2C03R
*4-01B2A02R
*5-01B2E01P
*6-01A3D23F
*7-01B2D04H
*8-01B2F02K

*9-01B2B01N
*10-01B2B04P
*11-01B2D056
*12-01B2A326
*13-01B2A326
*14-01B2A326
*15-01A3D25H
*16-01A7D24K

*17-01B2C02H
*18-01B2E01P
*19-01B2C03R
*20-01B2A02R
*21-01B2E01A
*22-01A3D25H
*23-01B2E02G
*24-01B2D05N

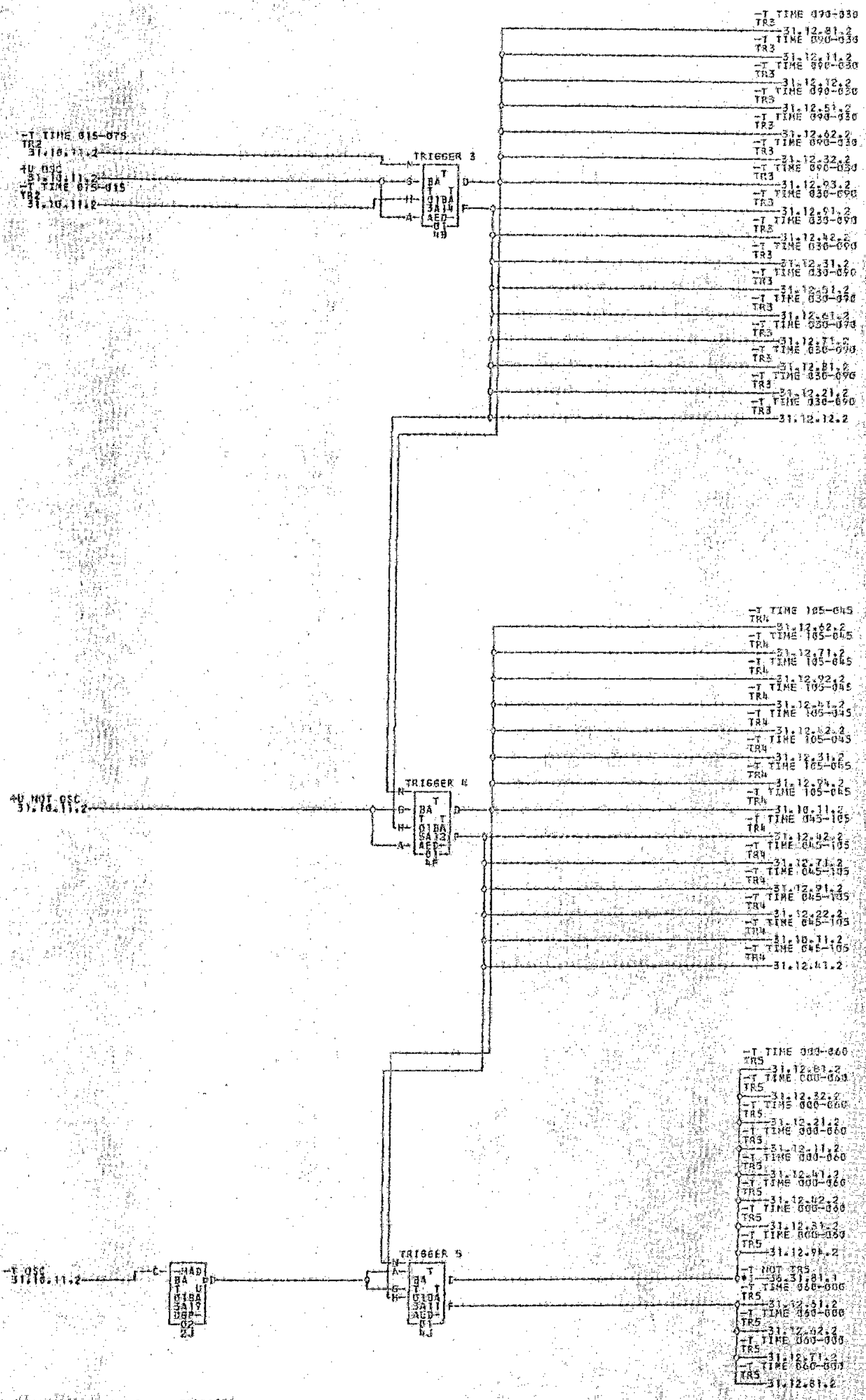
*25-01B2A04B
*26-01B2E01P
*27-01B2C03R
*28-01B2A02R
*29-01B2E01A
*30-01A3D25H
*31-01B2E02G
*32-01B2D05N

*33-01B2B04M
*34-01B2C03O
*35-01B2A02N
*36-01B2A03P
*37-01A3D24L
*38-01B2D04S
*39-01B2D02N

*40-01B2A04K
*41-01B2D03E
*42-01A3D05E
*43-01A3D05O
*44-01B2D04F
*45-01A3D25S
*46-01A3D25H

Removed 2/10/61

COMMENTS	TAG	DATE	E.C. NO.	TAG	DATE	E.C. NO.	TAG	DATE	E.C. NO.	TAG	DATE	E.C. NO.
	A	09-22-61	110320A	B	10-17-61	110320B	C	06-24-61	110320C	D	09-10-61	110320D
	E	09-11-61	110320E	F	11-09-61	112251	G	12-24-62	114853			



-T TIME 015-015
TR3 31.10.11.2
-T TIME 075-015
TR3 31.10.11.2

OSC
31.10.11.2

OSC
31.10.11.2

41-019302D 3TA8A25D

-T TIME 090-030
TR3 31.12.81.2
-T TIME 090-030
TR3 31.12.81.3
-T TIME 090-030
TR3 31.12.11.2
-T TIME 090-030
TR3 31.12.12.2
-T TIME 090-030
TR3 31.12.51.2
-T TIME 090-030
TR3 31.12.42.2
-T TIME 090-030
TR3 31.12.42.3
-T TIME 090-030
TR3 31.12.32.2
-T TIME 090-030
TR3 31.12.93.2
-T TIME 030-090
TR3 31.12.91.2
-T TIME 030-090
TR3 31.12.42.2
-T TIME 030-090
TR3 31.12.31.2
-T TIME 030-090
TR3 31.12.51.2
-T TIME 030-090
TR3 31.12.61.2
-T TIME 030-090
TR3 31.12.71.2
-T TIME 030-090
TR3 31.12.81.2
-T TIME 030-090
TR3 31.12.21.2
-T TIME 030-090
TR3 31.12.12.2

-T TIME 105-045
TR4 31.12.62.2
-T TIME 105-045
TR4 31.12.71.2
-T TIME 105-045
TR4 31.12.92.2
-T TIME 105-045
TR4 31.12.41.2
-T TIME 105-045
TR4 31.12.42.2
-T TIME 105-045
TR4 31.12.31.2
-T TIME 105-045
TR4 31.12.74.2
-T TIME 105-045
TR4 31.10.11.2
-T TIME 045-105
TR4 31.12.42.2
-T TIME 045-105
TR4 31.12.71.2
-T TIME 045-105
TR4 31.12.91.2
-T TIME 045-105
TR4 31.12.22.2
-T TIME 045-105
TR4 31.10.11.2
-T TIME 045-105
TR4 31.12.41.2

-T TIME 000-060
TR5 31.12.81.2
-T TIME 000-060
TR5 31.12.32.2
-T TIME 000-060
TR5 31.12.21.2
-T TIME 000-060
TR5 31.12.11.2
-T TIME 000-060
TR5 31.12.41.2
-T TIME 000-060
TR5 31.12.42.2
-T TIME 000-060
TR5 31.12.31.2
-T TIME 000-060
TR5 31.12.91.2
-T NOT TR5
TR5 31.12.81.1
-T TIME 060-000
TR5 31.12.51.2
-T TIME 060-000
TR5 31.12.42.2
-T TIME 060-000
TR5 31.12.71.2
-T TIME 060-000
TR5 31.12.81.2

T TIME 000-070

TR5

31.10.12.2



T TIME 000-030

31.12.00.2

T TIME 000-030

31.10.12.2

T TIME 000-030

31.10.12.2

T TIME 000-030

31.10.12.2

T TIME 000-030

31.10.12.2

T TIME 000-030

31.10.12.2

T TIME 000-030

31.10.12.2

T TIME 000-030

31.10.12.2

T TIME 000-030

31.10.12.2

T TIME 000-030

31.10.12.2

T TIME 000-030

31.10.12.2

T TIME 000-030

31.10.12.2

T TIME 000-000

TR1

31.10.12.2



T TIME 000-030

31.12.00.2

T TIME 000-030

31.10.12.2

T TIME 000-030

31.10.12.2

T TIME 000-030

31.10.12.2

T TIME 000-030

31.10.12.2

T TIME 000-030

31.10.12.2

T TIME 000-030

31.10.12.2

T TIME 000-030

31.10.12.2

T TIME 000-030

TR2

31.10.12.2

0100072
0100072
0100072
0100072
0100072
0100072
0100072
0100072
0100072
0100072

0100072
0100072
0100072
0100072
0100072
0100072
0100072
0100072
0100072
0100072

0100072
0100072
0100072
0100072
0100072
0100072
0100072
0100072
0100072
0100072

0100072
0100072
0100072
0100072
0100072
0100072
0100072
0100072
0100072
0100072

0100072
0100072
0100072
0100072
0100072
0100072
0100072
0100072
0100072
0100072

0100072
0100072
0100072
0100072
0100072
0100072
0100072
0100072
0100072
0100072

COMMENTS

TAD DATE E.C.NO. TAD DATE E.C.NO. TAD DATE E.C.NO. TAD DATE E.C.NO.
A 01-01-01 1100072 P 01-01-01 1100072 Q 12-26-02 1100072 R 11-03-01 1100072
E 01-01-01 1100072 F 01-01-01 1100072 G 12-26-02 1100072 H 01-01-01 1100072

T TIME 036-000
 TRS
 ST 10.12.2
 T TIME 006-000
 TRS
 ST 10.12.2

IMAD
 SA 1
 Q1BA
 3921
 DSC
 01
 HC

T TIME 090-000
 34.31.14.2
 T TIME 070-000
 *1-31.01.11.2
 T TIME 090-000
 *2-71.31.41.2
 T TIME 090-000
 *1-36.21.11.2
 T TIME 090-000
 *1-44.11.01.2
 T TIME 090-000
 *1-44.34.21.2
 T TIME 090-000
 *2-70.11.21.2
 T TIME 090-000
 *1-41.58.01.2
 T TIME 090-000
 *1-45.37.31.2
 T TIME 040-000
 MOD D
 *1-44.34.21.2
 T TIME 090-000
 *5-56.00.11.2
 T TIME 090-000
 *6-56.01.31.2

0100000000
 0100000000
 0100000000
 0100000000

0100000000
 0100000000
 0100000000
 0100000000

0100000000
 0100000000
 0100000000
 0100000000

0100000000
 0100000000
 0100000000
 0100000000

0100000000
 0100000000
 0100000000
 0100000000

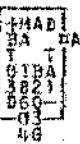
0100000000
 0100000000
 0100000000
 0100000000

-T TIME 000-000
 TR1 31.10.11.2
 -T TIME 015-075
 TR2 31.10.11.2



-T TIME 000-015
 *1-34.31.17.2
 -T TIME 000-015
 *1-31.07.11.2
 -T TIME 000-015
 *1-32.05.27.2
 -T TIME 000-015
 *1-34.11.11.2
 -T TIME 000-015
 *1-41.30.11.2
 -T TIME 000-015
 *1-35.10.51.2
 -T TIME 000-015
 *1-39.01.41.2
 -T TIME 000-015
 *1-34.11.21.2

-T TIME 045-105
 TR1 31.10.12.2
 -T TIME 075-015
 TR2 31.10.11.2



-T TIME 015-045
 *2-25.28.01.2
 -T TIME 015-045
 *3-17.01.31.2
 -T TIME 015-045
 *4-MOD B
 *4-17.01.21.2
 -T TIME
 015-045
 *5-37.41.12.2



-T TIME 015-075
 *1-35.01.00.9

*1-01B5F01E
 *2-02B6A03E
 *3-01B5A03E
 *4-02A9D03E

01B2F01E
 02B7A02K
 01B7C03J
 01B7D04B

01A5B25M
 02A2A26A
 01B7D01E
 *5-01B3E01E

01A6F24L
 02E1C01P
 02A9B03E
 01B8R01B

02A6B01D
 *2-01B3E01E
 02A6C25B

02A6C13D
 *4-01A3C26B
 01B5A05P

T TIME 060-090
TR5
31.10.12.2



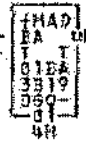
T TIME 060-090
*1-34.10.21.2
T TIME 060-090
*2-34.31.11.2
T TIME 060-090
*3-36.44.11.2
T TIME 060-090
*4-36.53.21.2

T TIME 015-075
TR2
31.10.11.2



T TIME 075-090
*4-34.32.20.2
T TIME 075-090
*1-44.15.21.2
T TIME 075-090
*4-77.01.03.2
T TIME 075-090
*4-77.51.21.2

T TIME 090-090
TR3
31.10.12.2



T TIME 030-090
*4-34.31.11.2
T TIME 030-090
*4-31.12.41.2

*1-01B3C04P
01B3C01K

01B6F01P
02A0B05P

*2-01B3F01M
02B7E02D

01B1B03D
02B1C016

*3-01B3B026

*4-01B3F01L

COMMENTS

TAG DATE E.C.NO. TAG DATE E.C.NO. TAG DATE E.C.NO. TAG DATE E.C.NO.
A 04-02-61 110320N P 09-11-61 1103240 C 05-30-62 114034 D 12-26-62 114853

-T TIME 000-030
TRJ
31.10.12.2

MAD
BA
T
U
01BA
3A7S
L6P
01
4A

+U TIME 000-030
*1--31.02.41.2
+U TIME 000-030
*1--32.39.21.2
+U TIME 000-030
*1--32.42.21.2
+U TIME 000-030
*2--37.31.21.2
+U TIME 000-030
*3--70.51.31.2
+U TIME 000-030
*1--41.50.21.2
+U TIME 000-030
*4--36.19.11.2
+U TIME 000-030
*5--42.65.02.2
+U TIME 000-030
*1--74.21.11.2
+U TIME 030-030
*5--75.01.02.2
+U TIME 000-030
*MOB II
*6--77.30.11.2

-T TIME 000-060
TRJ
31.10.11.2

MAD
BA
T
U
01BA
3B1Z
D6P
01
4C

+U TIME 000-030
31.12.04.2

-T TIME 030-000
TRJ
31.10.12.2

MAD
BA
T
U
01BA
3B1S
D6P
01
4D

+U TIME 030-000
*1--74.11.11.2
+U TIME 030-000
*0--46.37.81.2
+U TIME 030-000
*1--36.04.11.2
+U TIME 030-000
*7--31.01.11.2
+U TIME 030-000
*9--36.31.01.1
+U TIME 030-000
*7--32.39.21.2
+U TIME 030-000
*7--52.42.21.2
+U TIME 030-000
*2--70.61.31.2
+U TIME 030-000
*7--75.01.02.2
+U TIME 030-000
*A--36.19.11.2
+U TIME 030-000
*7--35.13.11.2
+U TIME 030-000
*B--34.11.31.2

-T TIME 000-000
TRJ
31.10.11.2

MAD
BA
T
U
01BA
3B1Z
D6P
01
4E

-T TIME 000-060
*C--31.50.31.2
-T TIME 000-000
*D--36.34.41.1

*1--01B3F01K
*2--02B1CC1K
*3--02A0B176
*4--0607A130
*5--01B5F02A
*6--01A8F04N
*7--01A5D25H
*8--01B1B02J
*9--02A0F17V

*1--01B2F01M
*2--01B3D02P
*3--02A9D23A
*4--01B3F01R
*5--01B1E03D
*6--02A0B15D
*7--01B0F02H
*8--01B1A02C
*9--02B0C05Q

*1--01A7A226N
*2--01B1B02P
*3--02A2E024H
*4--02A0B194
*5--01B2F01M
*6--02A2E024H
*7--01A6A25H
*8--01B0F02H
*9--01B3B02A

*1--01A8E25D
*2--01B1A01P
*3--01B2C03F
*4--01B7F03M
*5--01A7D07C
*6--01A8E25D
*7--01B3C03D
*8--01B3B02A
*9--01A6A25H

*1--02A0G11C
*2--01A2A08P
*3--01B4A02E
*4--01B7D02E
*5--01B3D02E
*6--01B3C03D
*7--01B1E02Q

*1--02B6A03B
*2--01B0F01R
*3--01B8A03B
*4--01A7A226N
*5--01B3B02A
*6--01B3E02A
*7--01B1A03Q

COMMENTS

TAG	DATE	E.C.NO.	TAG	DATE	E.C.NO.	TAG	DATE	E.C.NO.	TAG	DATE	E.C.NO.
A	05-02-61	110300N	B	07-07-61	110224F	C	11-03-61	112250	D	02-10-62	114244
E	05-08-62	116034	F	12-24-62	116052						

0724100

V TIME 000-015 060-070

1401 BA

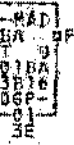
31-12-67.2

-T TIME 000-060
 TR1
 31.10.11.2
 -T TIME 015-015
 TR2
 31.10.11.2



+U TIME 000-015
 *1-11.5.21.2
 +U TIME 000-015
 *1-70.51.31.2
 +U TIME 000-015
 *1-35.15.51.1
 +U TIME 000-015
 *1-55.10.91.2
 +U TIME 000-015
 *1-75.01.02.2

-T TIME 030-090
 TR3
 31.10.12.2
 -T TIME 060-060
 TR5
 31.10.12.2



+U TIME 060-070
 *1-34.31.12.2
 +U TIME 050-090
 *2-73.11.51.2
 +U TIME 060-070
 *3-36.33.21.1
 +U TIME 060-070
 *4-32.42.11.2
 +U TIME 060-070
 *4-61.11.31.2
 +U TIME 060-070
 *5-01.51.51.2
 +U TIME 060-070
 *5-36.14.11.2
 +U TIME 060-070
 *6-55.12.11.2
 +U TIME 060-070
 *6-75.01.02.2
 +U TIME 060-070
 *7-56.12.11.2
 +U TIME 060-070
 *7-MOD
 *8-77.10.21.2
 +U TIME 060-070
 *7-32.17.21.2

*1-01B3E02D
 *2-01A2E24E
 *3-01B3E02E
 *4-02A8D25E
 *5-01B7D09E
 *6-01A7D26E

*1-01A3F24P
 *2-01B3E02E
 *3-01B7C03E
 *4-02A8C243
 *5-01B7D03E

*1-01B7C03E
 *2-02A8C01D
 *3-01A8F26P
 *4-01B9A02E
 *5-01B8A02E

*1-02A8B17D
 *2-02A2E25D
 *3-02A8D17D
 *4-01B3C03E
 *5-01B3E02E

*1-02A8D23E
 *2-01B3E02C
 *3-02B8A03A
 *4-01B4A02C
 *5-01A8F24P

*1-02A1D26A
 *2-01A6235C
 *3-02B8E03E
 *4-01B3E02E
 *5-01A8D25J

COMMENTS

TAG	DATE	E.C.NO.	TAG	DATE	E.C.NO.	TAG	DATE	E.C.NO.	TAG	DATE	E.C.NO.
A	03-02-61	118320R	B	07-07-61	118320S	C	12-04-61	113422	D	02-17-62	113042
E	06-09-62	114034	F	12-27-62	114853						

-T TIME 105-043
TR 31.10.12.2

MAD
BA W
T OYBA
S B10
DGP
12
3A

+U TIME 105-000
*1-30.01.11.2
+U TIME 105-030
*2-75.01.32.2

-T TIME 090-050
TR 31.10.12.2

MAD
BA W
T OYBA
S B10
DGP
12
3E

-T TIME 090-050
TR 31.10.12.2

+U TIME 090-000
*3-75.01.02.2
+U TIME 090-000
*4-31.12.01.2
+U TIME 090-000
*4-42.00.03.2
+U TIME 090-000
*3-36.48.21.2
+U TIME 090-000
*3-31.03.31.2
+U TIME 090-000
*5-34.40.41.2
+U TIME 090-000
*3-32.40.11.2
+U TIME 090-000
*3-32.42.11.2
+U TIME 090-000
*5-44.15.01.2
+U TIME 090-000
*3-41.51.21.2
+U TIME 090-000
*3-44.70.21.2
+U TIME 090-000
*3-74.11.71.2
+U TIME 090-000
*4-74.00.28.2

11-01B3E07P
01B1503E
02H0A030C
02A3F078
01A5E20N

07A5A25P
01B2F01P
02AED036
02A7E25L
02A9C156

*2-01B3E07P
01B0091P
02B1C01P
*4-01B3E02C
02B8C04N

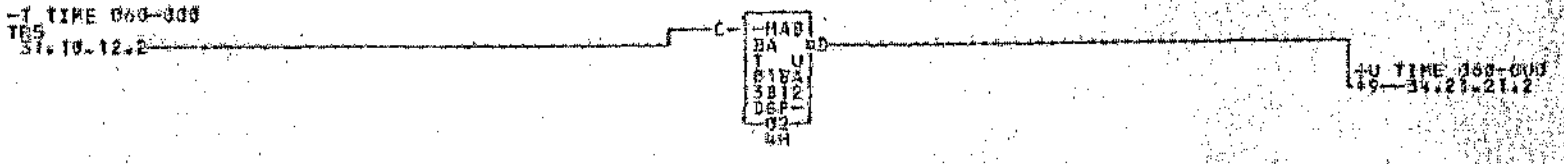
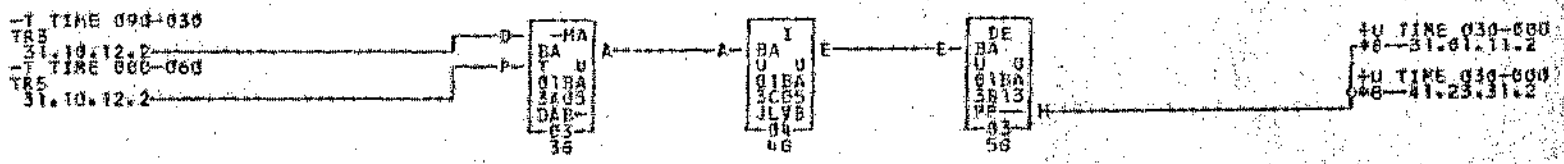
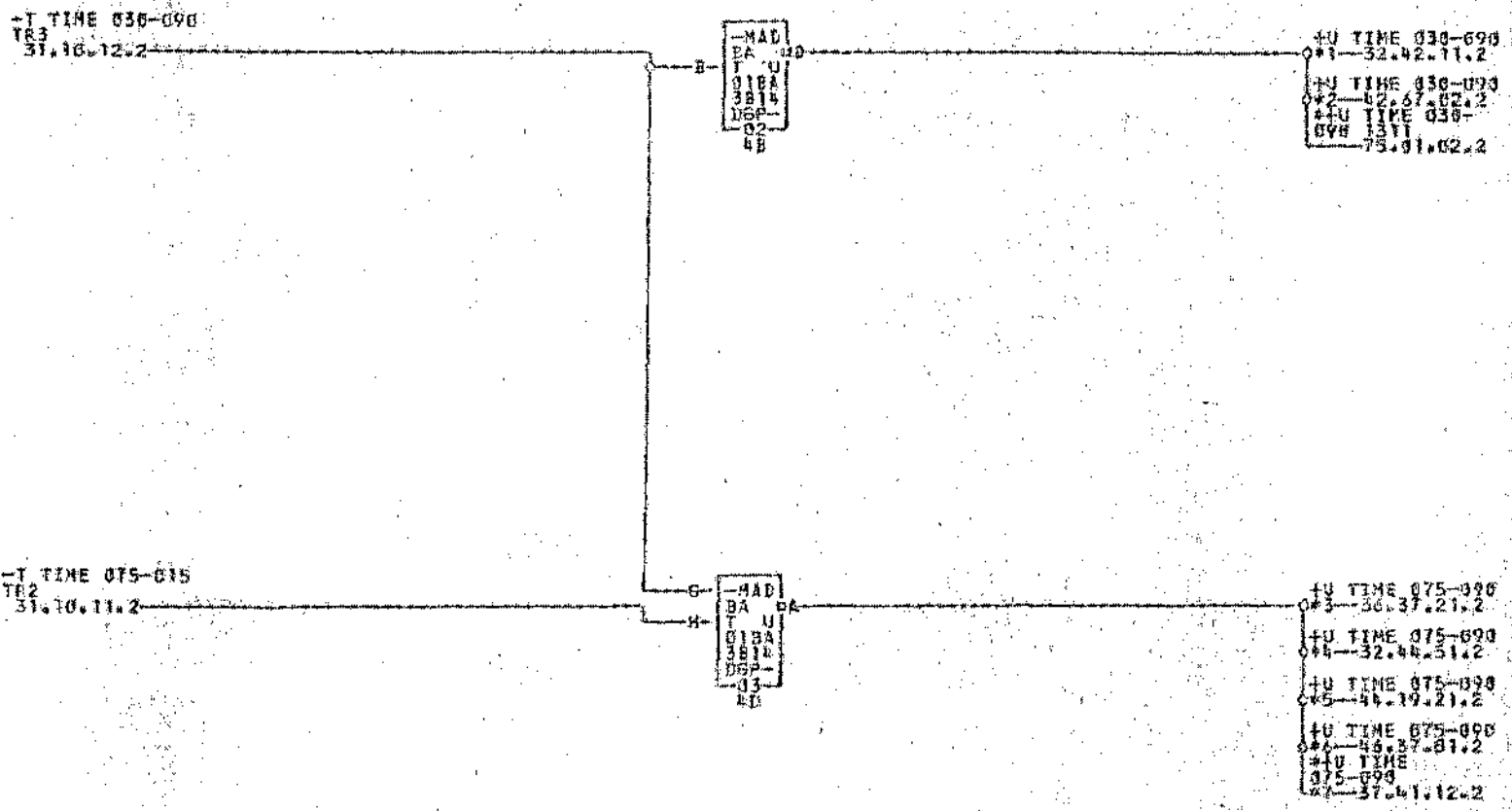
02A0C07E
01A7A26P
*4-01B3A01P
01B1B03E

02A0D23J
01A8F240
04B7A16L
01B1D03P

*5-01B3E02C
02A0B19D
*5-01B3C32L
01A5B25P

COMMENTS

TAG DATE E.C.NO. TAG DATE E.C.NO. TAG DATE E.C.NO. TAG DATE E.C.NO.
06-02-61 30320N 0 12-26-62 114053



- *1-01B3E02K
- *2-01U3A11C
- *3-01B3B02J
- *4-01A0A25J
- *5-01B3C020
- *6-01B3B02K
- *7-01B3B02J
- *8-02A7A16C
- *9-01B3E02E
- *10-02A7E250
- *11-01B3B02K
- *12-01B6C01H
- *13-01B6C01H
- *14-01B2F01C
- *15-02A0C01C

072410R

T TIME 090-030 U TIME 075-105

1401 BA

31.12.62

-T TIME 030-090
TR3
31.10.12.2

MAD
BA
T
U
D
3917
D30
03
48

-T TIME 090-030
*1-70.11.21.2
-T TIME 090-030
*1-01.11.31.2
-T TIME 090-030
*1-78.11.11.2

-T TIME 045-105
TR4
31.10.11.2
-T TIME 075-015
TR2
31.10.11.2

MAD
BA
T
U
D
3912
D30
03
48

+U TIME 075-105
*2-31.03.31.2
+U TIME 075-105
*2-74.11.11.2
+U TIME 075-105
*2-34.31.14.2
+U TIME 075-105
*2-41.11.11.2
+U TIME 075-105
*2-70.11.21.2
+U TIME 075-105
*2-34.31.13.2

*1-0185A050
0182F01R

02A0C05E
02A0C03B

02A2B243
02A2B24C

02B6E03E
02B6E03J

02B1C01A
02B1C01Q

*2-0183E02F

COMMENTS:

TAG	DATE	E.C.NO.	TAG	DATE	E.C.NO.	TAG	DATE	E.C.NO.	TAG	DATE	E.C.NO.
A	06-02-62	110320A	B	02-19-62	113042	C	03-21-62	116028	D	12-24-62	118033

0724105

1 TIME 045-075 U TIME 1130-060

1403 9A

51.12.92.2

-T TIME 075-015
T82
-T TIME 1130-060
T86
31.10.12.2

HA
EA
T
01BA
0117
0100
05
0A

-T TIME 045-075
*1-77.01.11.2
-T TIME 045-075
*1-34.10.31.2
-T TIME 045-075
*1-70.51.31.2
-T TIME 045-075
*2-30.12.31.2
-T TIME 045-075
*1-35.10.31.2
-T TIME 045-075
*2-35.22.11.2
-T TIME 045-075
*1-74.01.11.2
-T TIME 045-075
*1-74.01.11.2
*1-74.01.11.2
*1-74.01.11.2

-T TIME 000-060
T81
31.10.11.2

HA
EA
T
01BA
0117
0100
05
0A

40 TIME 000-060
*1-31.12.31.2
40 TIME 000-060
*5-31.20.11.2
40 TIME 000-060
*1-32.40.31.2
40 TIME 000-060
*2-32.62.32.2
40 TIME 000-060
*1-32.01.00.0

*1-01A3B01K
*2-01A3B02K
*3-01A3B03K
*4-01A3B04K

*1-01A3B02D
*2-01A3B03D
*3-01A3B04D
*4-01A3B05D

*1-01B0001E
*2-01B0002E
*3-01B0003E
*4-01B0004E

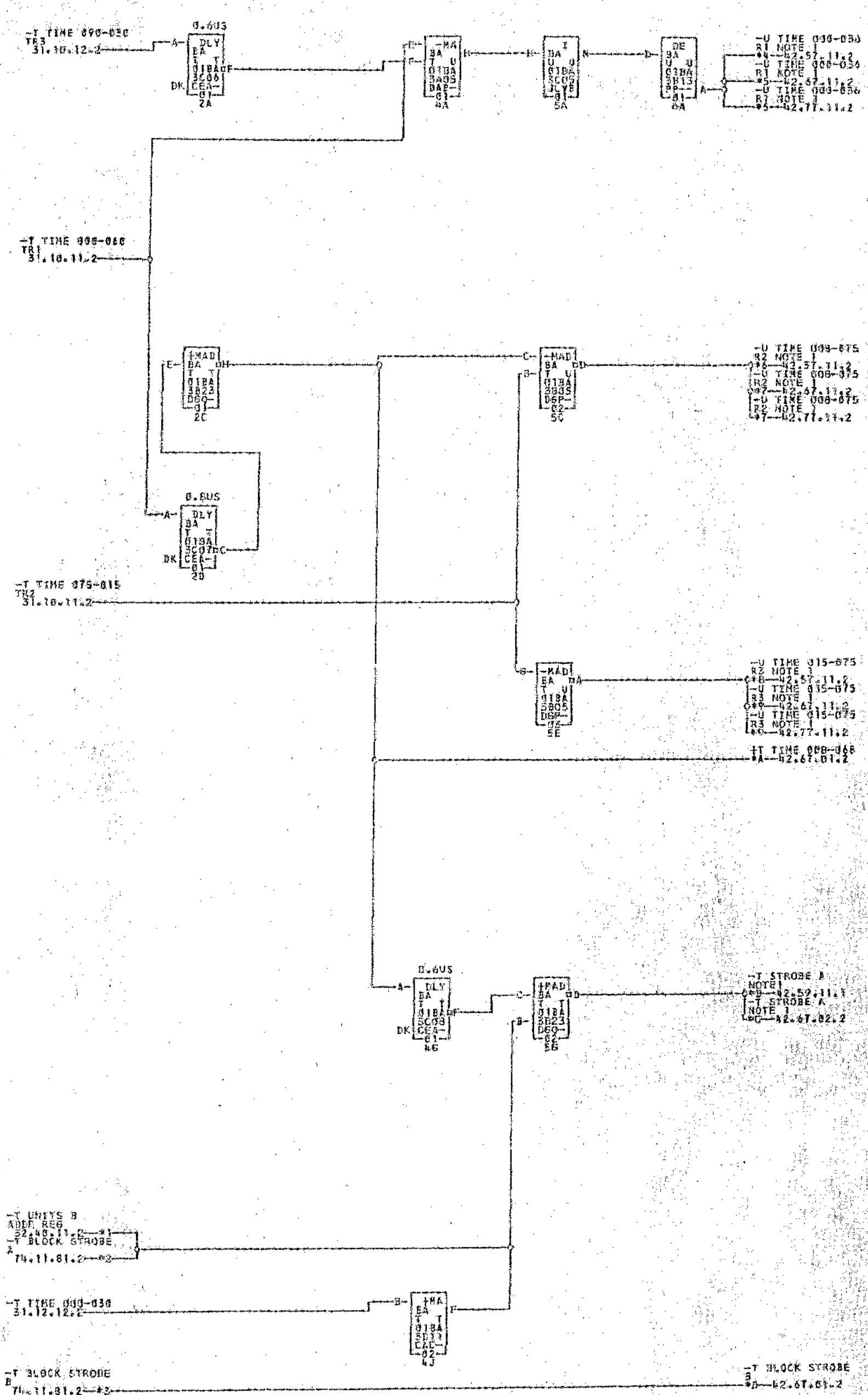
*1-01B0001E
*2-01B0002E
*3-01B0003E
*4-01B0004E

*1-01B0001E
*2-01B0002E
*3-01B0003E
*4-01B0004E

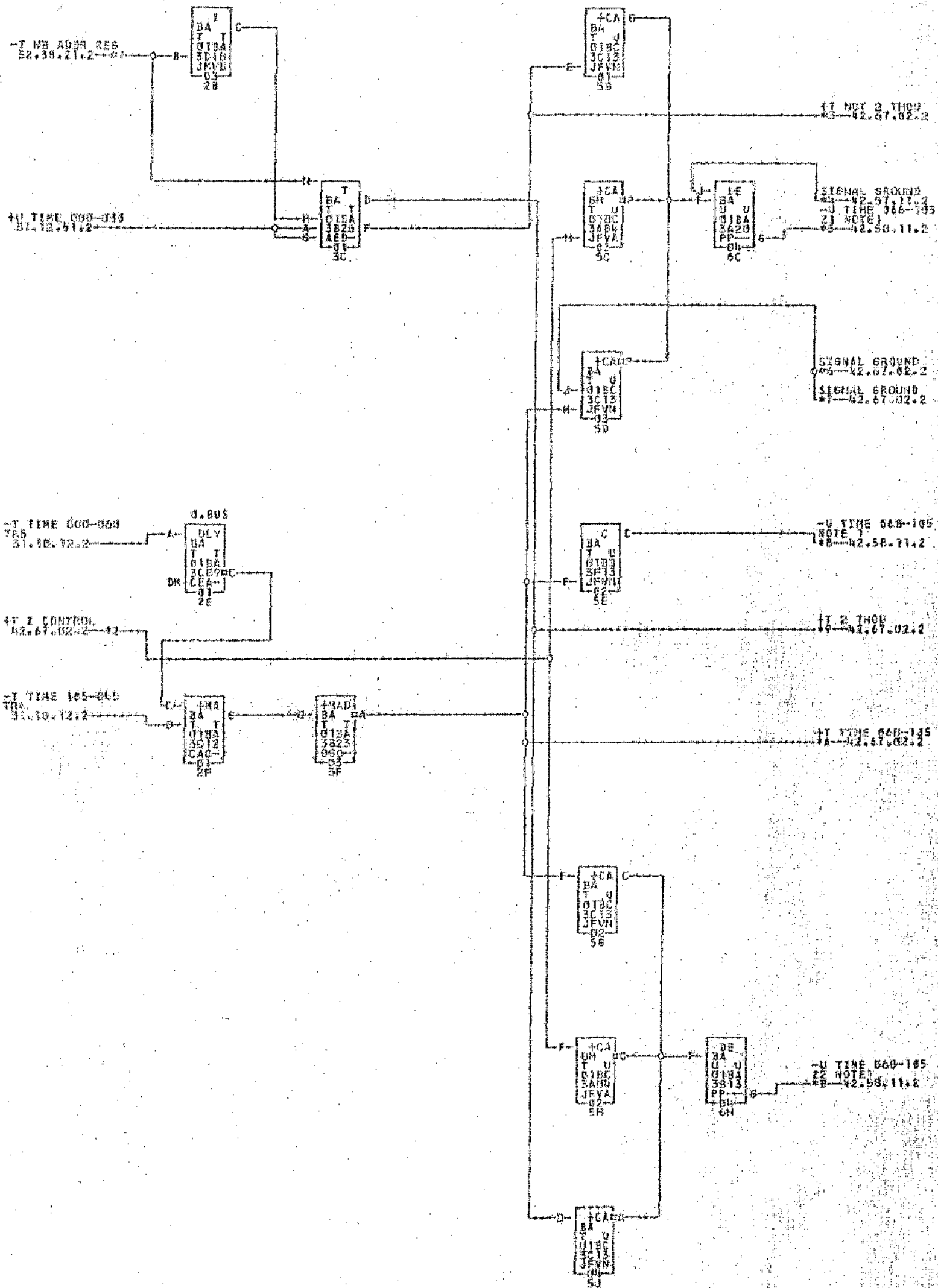
*1-01B0001E
*2-01B0002E
*3-01B0003E
*4-01B0004E

NOTE: ASTERISK PROBLEMS IN SIGNAL INDICATES DIRECT CABLE EXPANSION

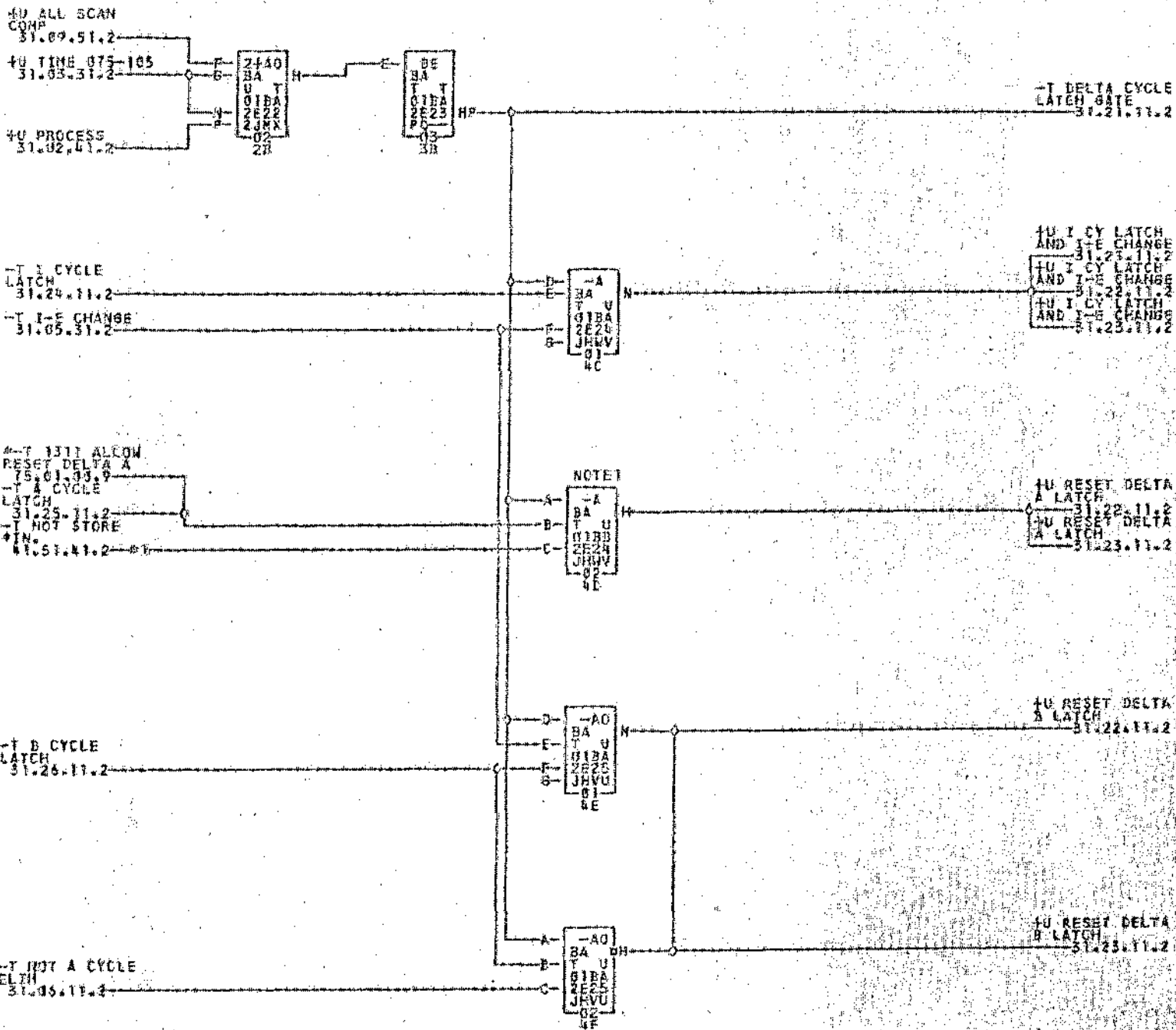
TABLE WITH 4 columns: TAG, DATE, TAG, DATE, TAG, DATE, TAG, DATE. Includes entries like 'A 07-02-51', 'E 05-15-53', 'D 07-07-51', 'C 06-08-62', 'D 12-26-82'.



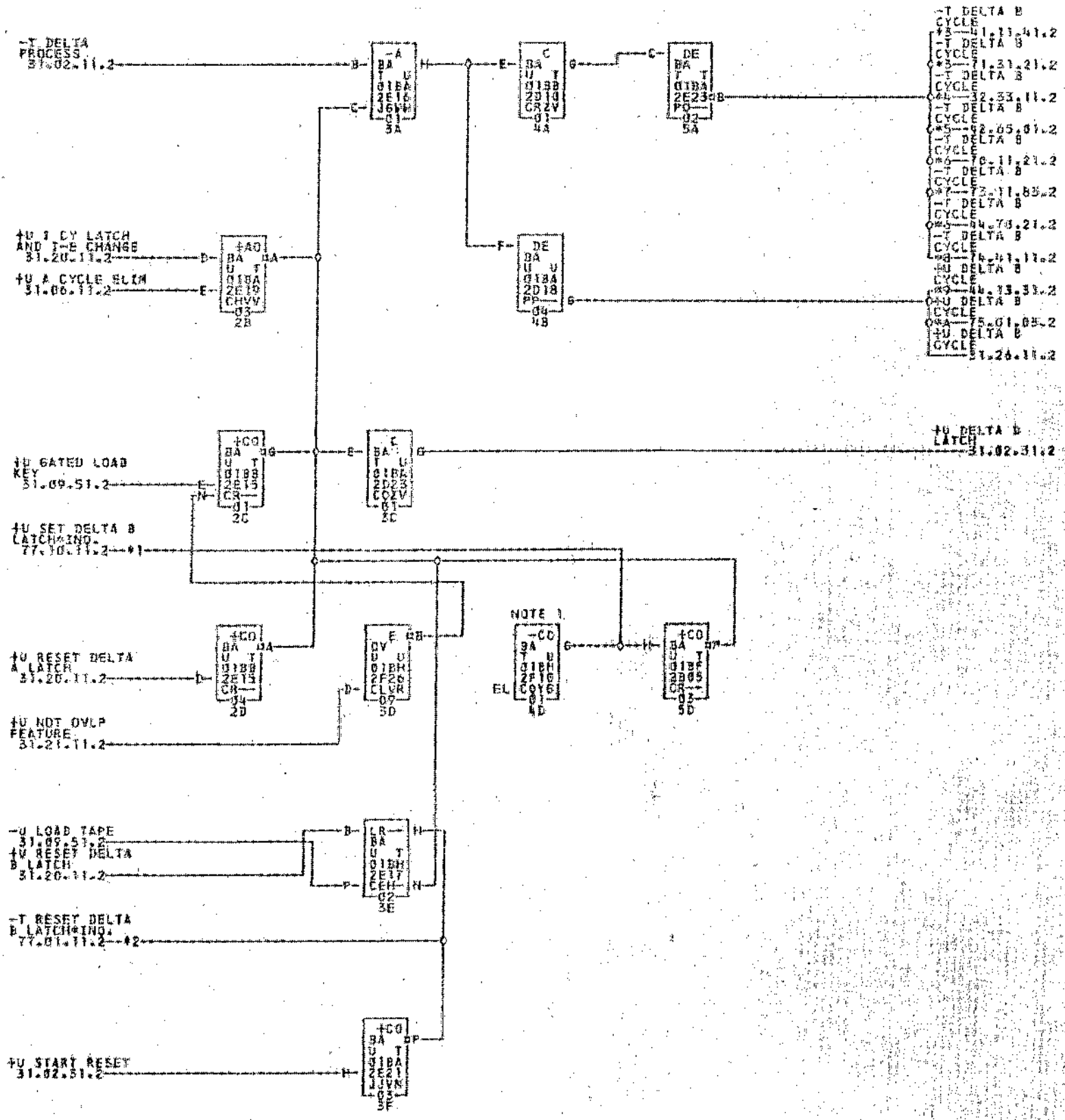
- *1--01B3A03K
- *2--01B3E01D
- *3--01B3E010
- *4--01B3A02A
- *5--01A1F02A
- *6--01B3A02B
- *7--01B3E020
- *8--01B3A030
- *9--01B3A03B
- *A--01B3A03H
- *B--01B3A03C
- *C--01B3A03D
- *D--01B3E03F
- *E--01B3A03H
- *F--01B3A03H
- *G--01B3A03H
- *H--01B3A03H
- *I--01B3A03H
- *J--01B3A03H
- *K--01B3A03H
- *L--01B3A03H
- *M--01B3A03H
- *N--01B3A03H
- *O--01B3A03H
- *P--01B3A03H
- *Q--01B3A03H
- *R--01B3A03H
- *S--01B3A03H
- *T--01B3A03H
- *U--01B3A03H
- *V--01B3A03H
- *W--01B3A03H
- *X--01B3A03H
- *Y--01B3A03H
- *Z--01B3A03H



- #1 - 01B3A5A
- #2 - 01B3A0H
- #3 - 01B3A0H
- #4 - 01B3A0H
- #5 - 01B3A0H
- #6 - 01B3A0H
- #7 - 01B3A0H
- #8 - 01B3A0H
- #9 - 01B3A0H
- #10 - 01B3A0H
- #11 - 01B3A0H
- #12 - 01B3A0H
- #13 - 01B3A0H
- #14 - 01B3A0H
- #15 - 01B3A0H
- #16 - 01B3A0H
- #17 - 01B3A0H
- #18 - 01B3A0H
- #19 - 01B3A0H
- #20 - 01B3A0H



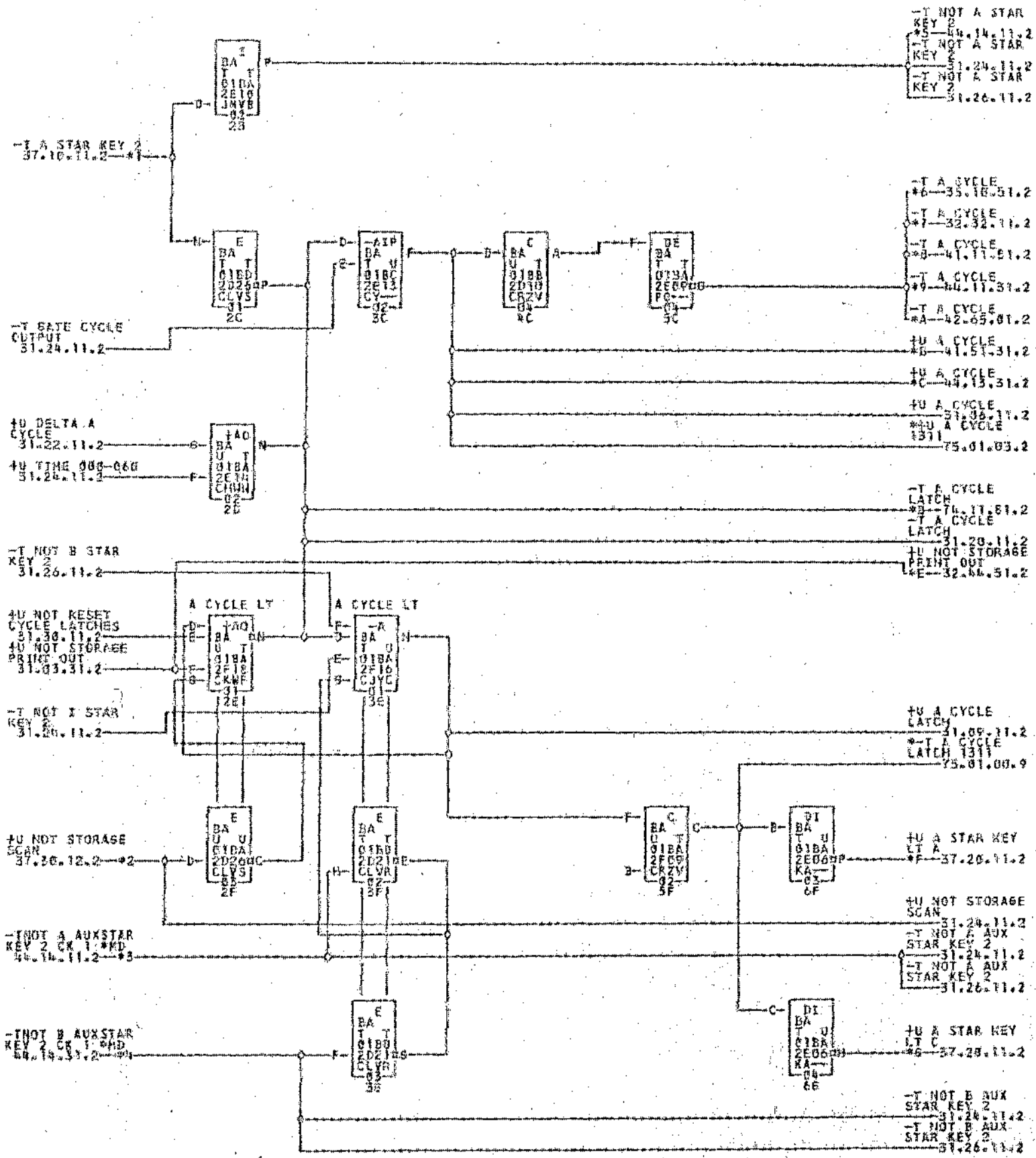
*1--0182A02B



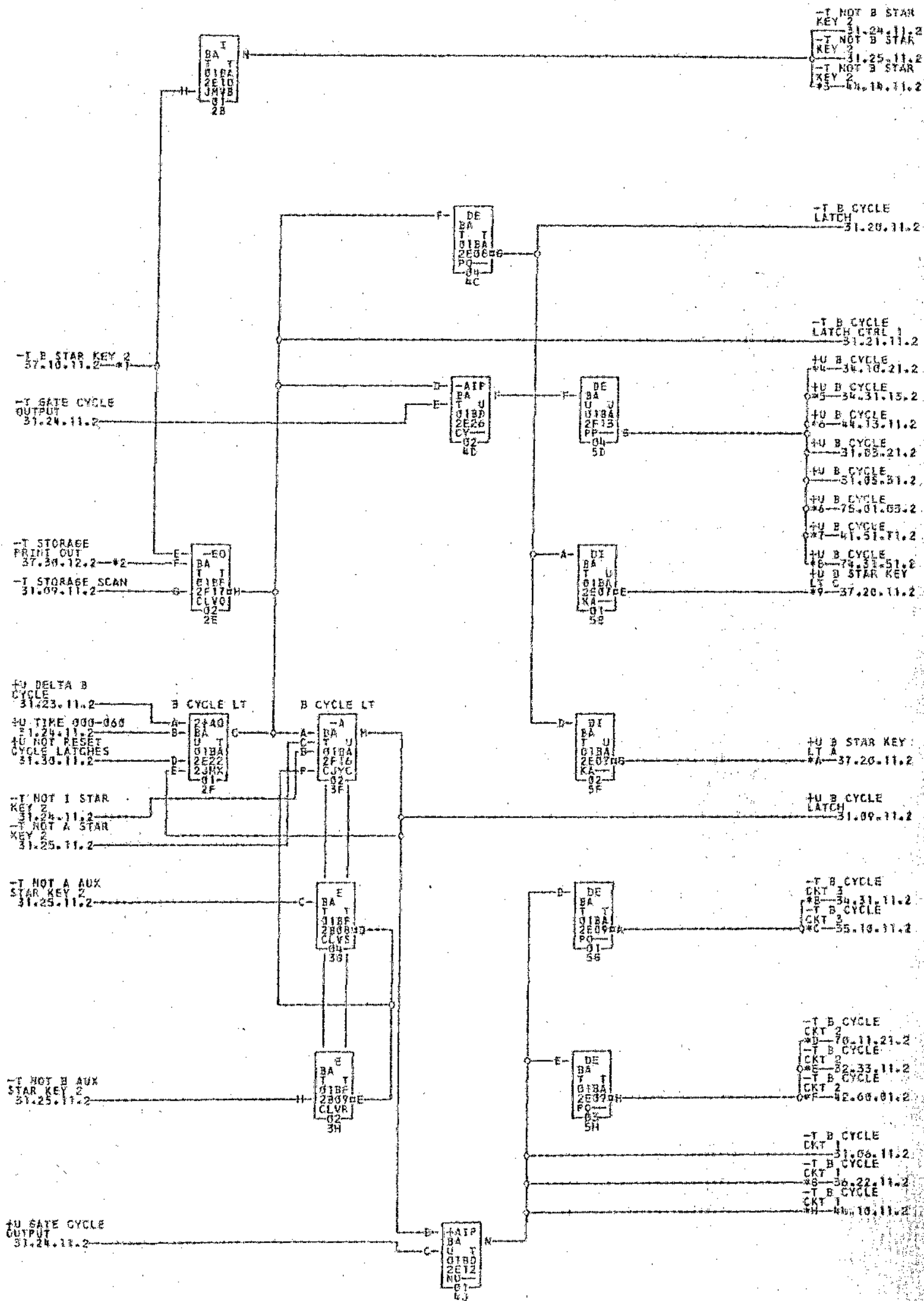
- *1-01880766
- *2-01880750
- *3-01820036
- *4-01820035
- *5-01820034
- *6-01820033
- *7-01820032
- *8-01820031
- *9-01820030
- *10-01820029
- *11-01820028
- *12-01820027
- *13-01820026
- *14-01820025
- *15-01820024
- *16-01820023
- *17-01820022
- *18-01820021
- *19-01820020
- *20-01820019
- *21-01820018
- *22-01820017
- *23-01820016
- *24-01820015
- *25-01820014
- *26-01820013
- *27-01820012
- *28-01820011
- *29-01820010
- *30-01820009
- *31-01820008
- *32-01820007
- *33-01820006
- *34-01820005
- *35-01820004
- *36-01820003
- *37-01820002
- *38-01820001
- *39-01820000

USED FOR LHM COMMENTS ONLY

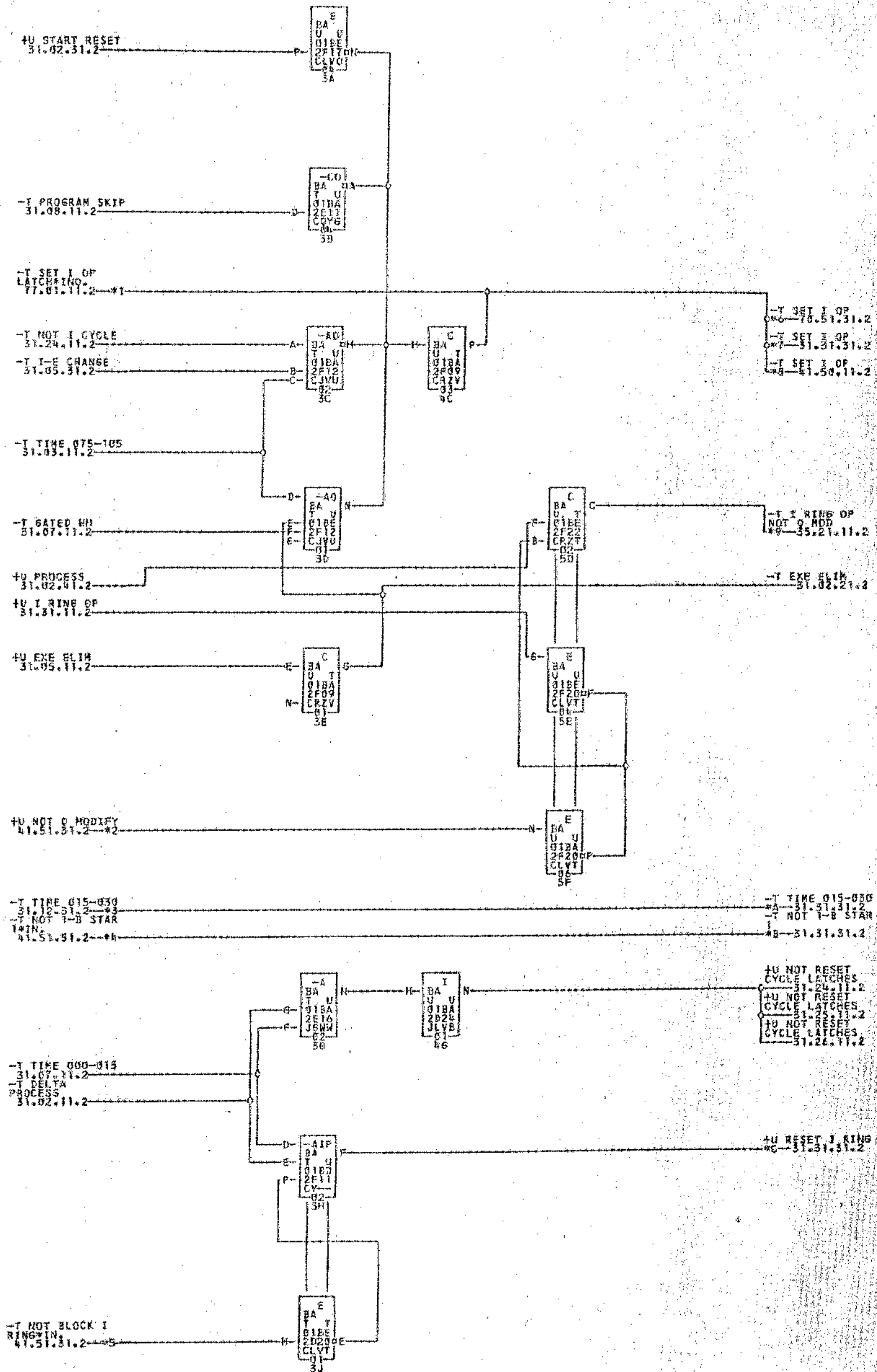
TAG	DATE	E.C. NO.	TAG	DATE	E.C. NO.	TAG	DATE	E.C. NO.	TAG	DATE	E.C. NO.
A	03-21-61	118329A	B	06-12-61	118329A	C	09-16-61	118329A	D	09-21-61	118329A
E	09-17-61	118329X	F	10-15-61	118329A	G	12-04-61	118329A	H	12-26-62	118329A



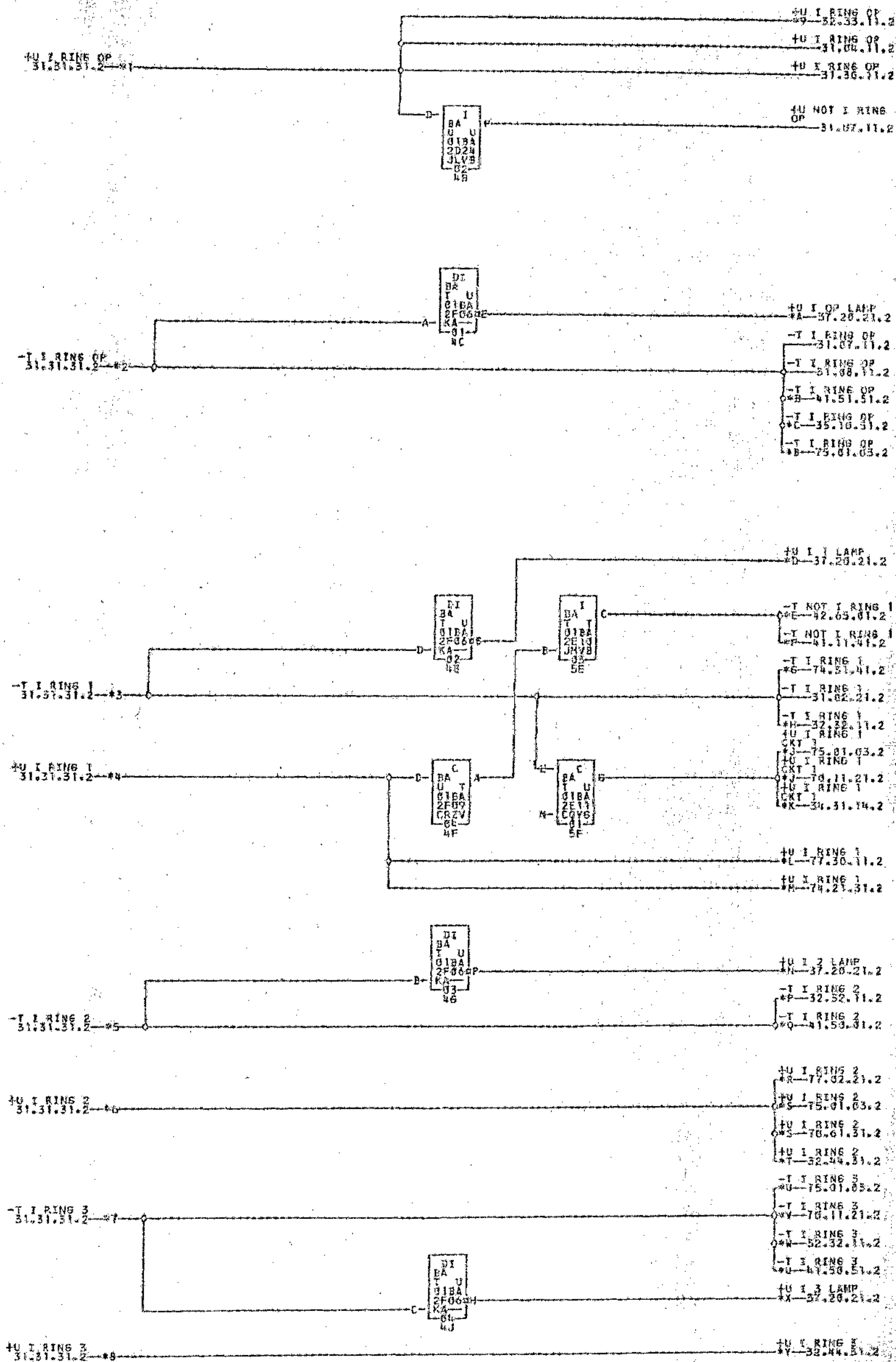
- *1-01B2P63H
- *2-01B2F63J
- *3-01B2B63C
- *4-01B2B63R
- *5-01B2A63J
- *6-02A9F05L
- *7-01B2D63C
- *8-01B2D63H
- *9-01B2D63K
- *10-01B2D63M
- *11-01B2D63N
- *12-01B2D63P
- *13-01B2D63Q
- *14-01B2D63R
- *15-01B2D63S
- *16-01B2D63T
- *17-01B2D63U
- *18-01B2D63V
- *19-01B2D63W
- *20-01B2D63X
- *21-01B2D63Y
- *22-01B2D63Z



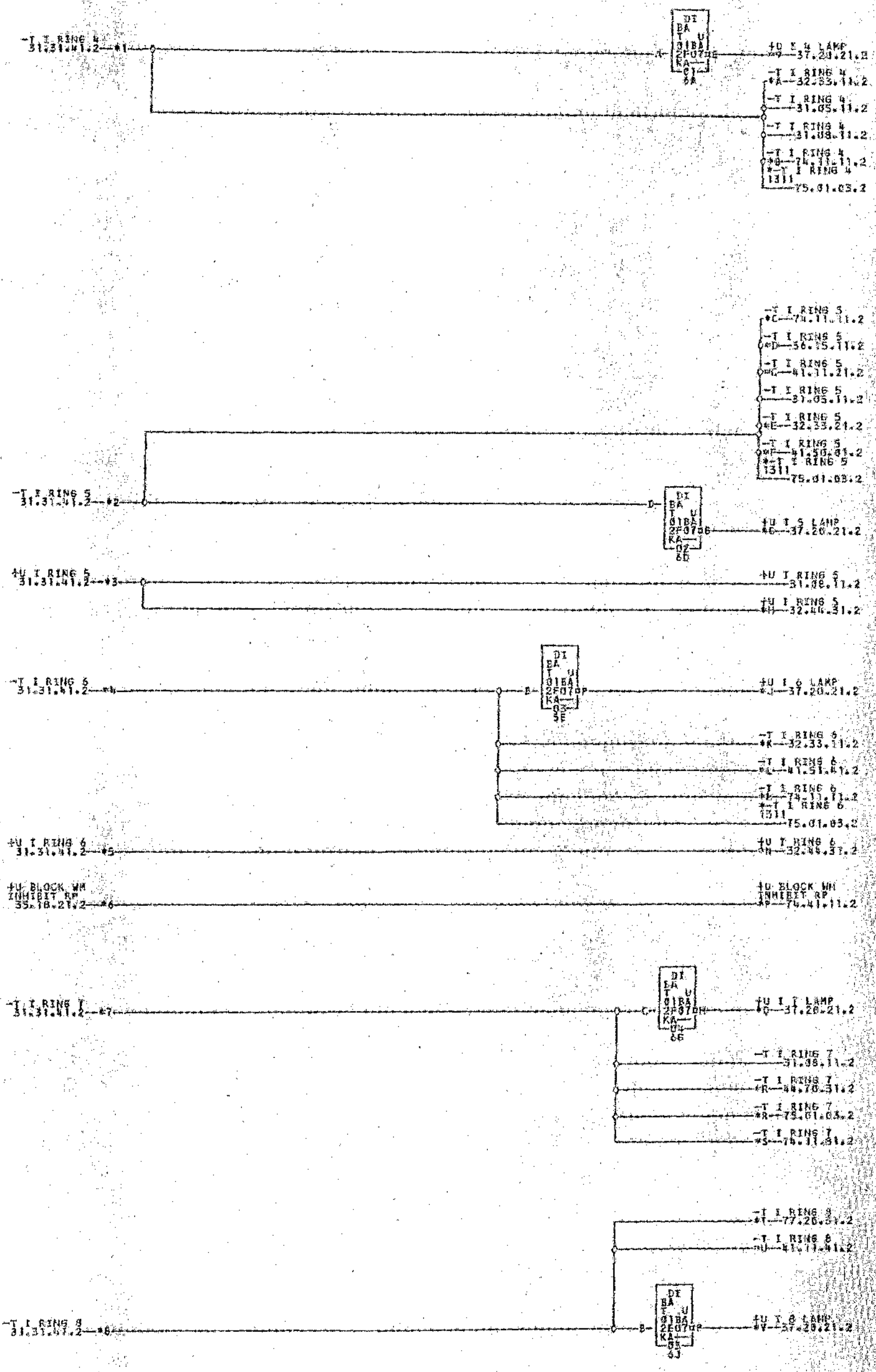
- *1-01B2F03L
- *2-01B2F03P
- *3-01B2A03K
- *4-01A9F07C
- *5-02B7011K
- *6-01B2001D
- *7-02A00230C
- *8-01B2E04B
- *9-01A20015E
- *A-01B20015E
- *B-01A20015E
- *C-01B20015E
- *D-01A20015E
- *E-01B20015E
- *F-01B20015E
- *G-01A20015E
- *H-01B20015E
- *I-01A20015E
- *J-01B20015E
- *K-01A20015E
- *L-01B20015E
- *M-01A20015E
- *N-01B20015E
- *O-01A20015E
- *P-01B20015E
- *Q-01A20015E
- *R-01B20015E
- *S-01A20015E
- *T-01B20015E
- *U-01A20015E
- *V-01B20015E
- *W-01A20015E
- *X-01B20015E
- *Y-01A20015E
- *Z-01B20015E



- *1-01B2F05N *2-01B2A01R *3-01B2E01B *4-01B2A02H *5-01B2A01C *6-01B2C01C
- 02A0C19F *7-01B2E031R *8-01B2E01M *9-01B2A01H *10-01B2A01B *11-02A0C17D
- 02B0A01B *12-01B2E02C *13-01B2E01B *14-01B2C05K *15-01B2A01B *16-01B2E03P
- 01B0E01F *17-01B2E05R



*1-01B2C05A	*2-01B2C05B	*3-01B2C05D	*4-01B2C05E	*5-01B2C05F	*6-01B2E01H
*7-01B2C05N	*8-01B2C055	*9-01B2C02D	*10-01A7R25U	*11-01B2C05E	*12-01A2A15E
*13-01B2A81A	*14-02A8C15D	*15-02A8A01A	*16-02A8R23J	*17-01B2C05E	*18-01A3D25E
*19-01B2C04P	*20-01A2A15F	*21-01B2E05B	*22-00B7A12B	*23-01B2B03K	*24-01B4E01F
*25-01B4F02D	*26-02A9D01B	*27-01B2C01N	*28-01B2A05A	*29-02A2A13B	*30-02B1E01A
*31-01B2F02A	*32-01A7D26A	*33-01B2C05B	*34-02A0U17F	*35-02A2A29N	*36-02A8F23K
*37-01B2B03K	*38-01B3C03K	*39-01B2C05D	*40-01B8B72Y	*41-02A0A17E	*42-02A0A17E
*43-02B1B01C	*44-01B2C04E	*45-01A2A15E	*46-01B2F02B	*47-01A7D26B	*48-01B2A01E
*49-02A8C19D	*50-02B6A01C	*51-01B2C05E	*52-01B9F77B	*53-01B2C01P	*54-01B2C01P
*55-02A2A24M	*56-02A8F23L	*57-01B2D01M	*58-01A8D26H	*59-01B2A01B	*60-02A0D17E
*61-02B5A01D	*62-02A8F23M	*63-01B2C01E	*64-02A8G17F	*65-01B2A01B	*66-02A0D17D
*67-01A7D26D	*68-01B2C04H	*69-01A2A15H	*70-01B2D01D	*71-01A8D26D	*72-01B2F02C



*1-01B2E01G	*2-11B2E01H	*3-01B2C05L	*4-01B2C05H	*5-01B2C05N	*6-01B2A05M
*7-01B2C05P	*8-01B2E05R	*9-01B2C05J	*10-01A2A15J	*11-01B2F02D	*12-01A7D02D
*13-01B2A05B	*14-02ABA15B	*15-02B1E01H	*16-01B2F00G	*17-01B4E01B	*18-01B4F01E
*19-02A0D15C	*20-02BBF02L	*21-02B1C02N	*22-01B2B00G	*23-01B4E01B	*24-01B4F01E
*25-01B7E01P	*26-11B2F02E	*27-01A7D024E	*28-01B2A01E	*29-02A0D05D	*30-02B0A01E
*31-01B2C04K	*32-01A2A15K	*33-01B2B01J	*34-01A8D26J	*35-01B2D04L	*36-01A2A15I
*37-01B2F02F	*38-01A7D26F	*39-01B2A01E	*40-02A0D05D	*41-02B0A01E	*42-01B2A05B
*43-02A0A19E	*44-02B1E01D	*45-01A8D26J	*46-01A8D26J	*47-01B2D03A	*48-01B2C05E
*49-01A2A15H	*50-01B2A03Z	*51-02A0E01E	*52-02B0A02A	*53-02A0E01E	*54-01B2C05E
*55-02A0A01C	*56-12B1101E	*57-01B2C05F	*58-01B2B02A	*59-02A0E01E	*60-01B2C05E
*61-02B0E03P	*62-11B2C05N	*63-01A2A15H	*64-01B2B02A	*65-01B2C05E	*66-02A0D11E

IBM INSTALLATION INSTRUCTIONS

NO. 486644

NAME

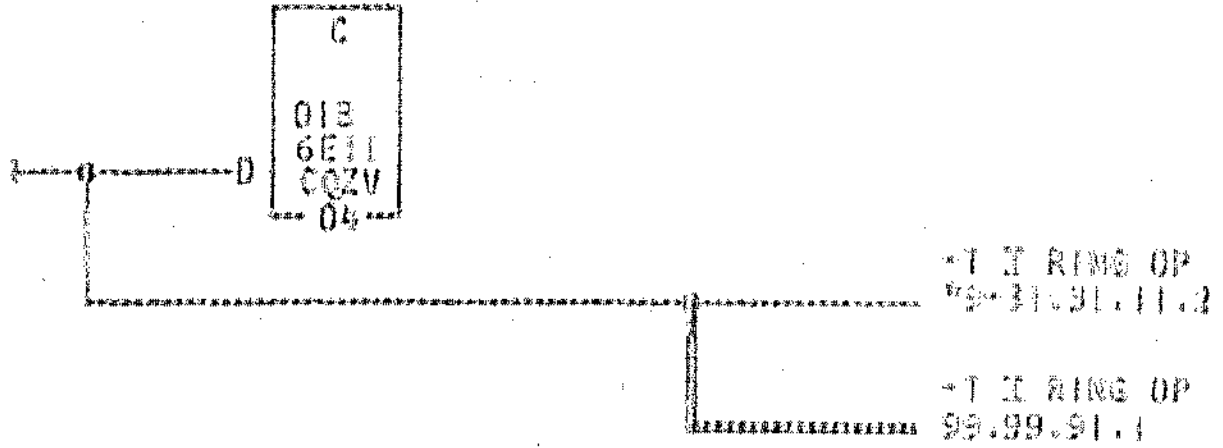
UNIT 34

ISSUES
Description

CHG
Cat.

8.16

ALTER LOGIC 31.31.31.2, GATE 01B6, ALL MACHINES, AS FOLLOWS:



ADDED

EXISTING

INTL
CHANGES

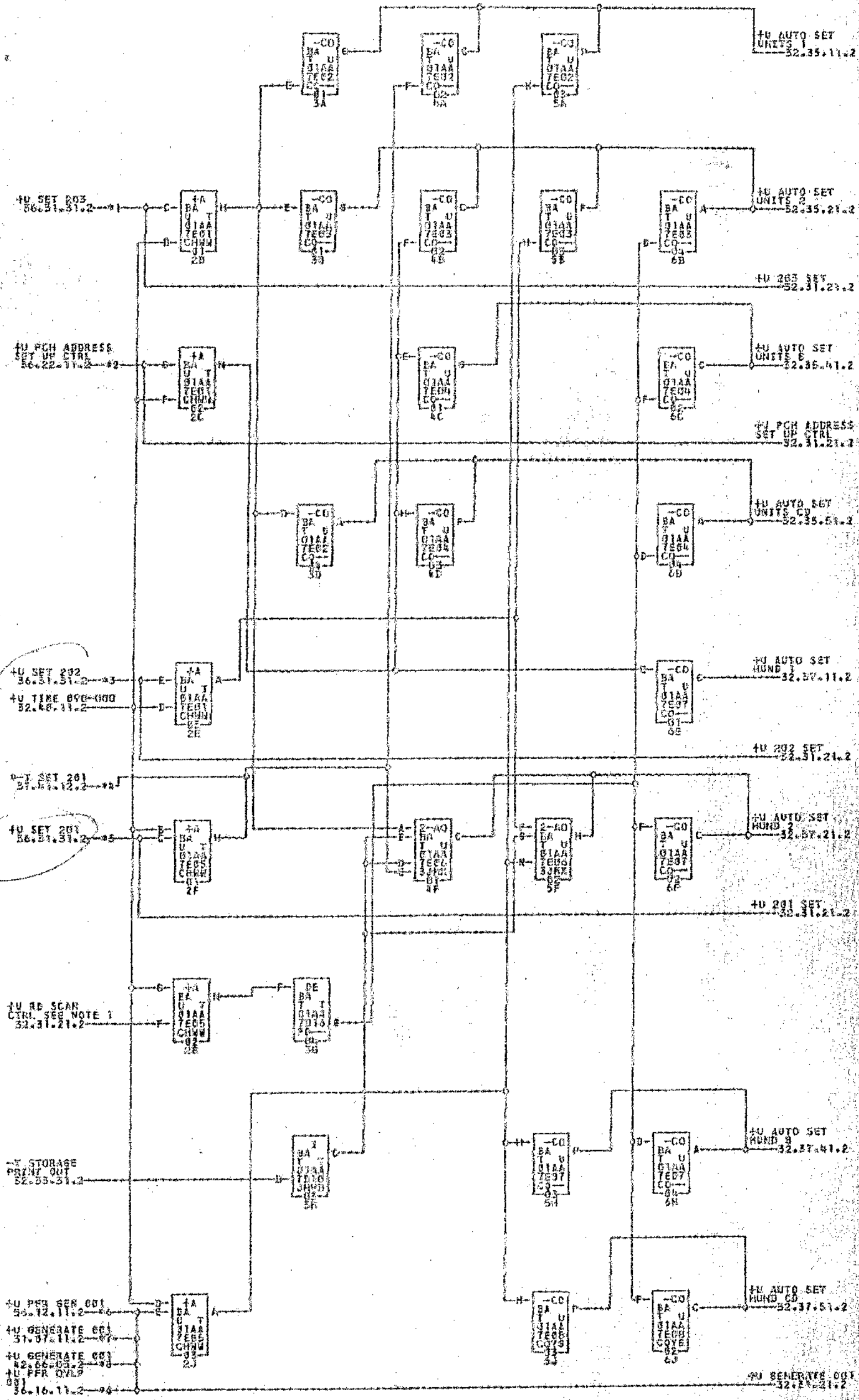
DATE

NO.

9-26-63	10-3-63						
118320	118320F	118320G					

DATE 11/5

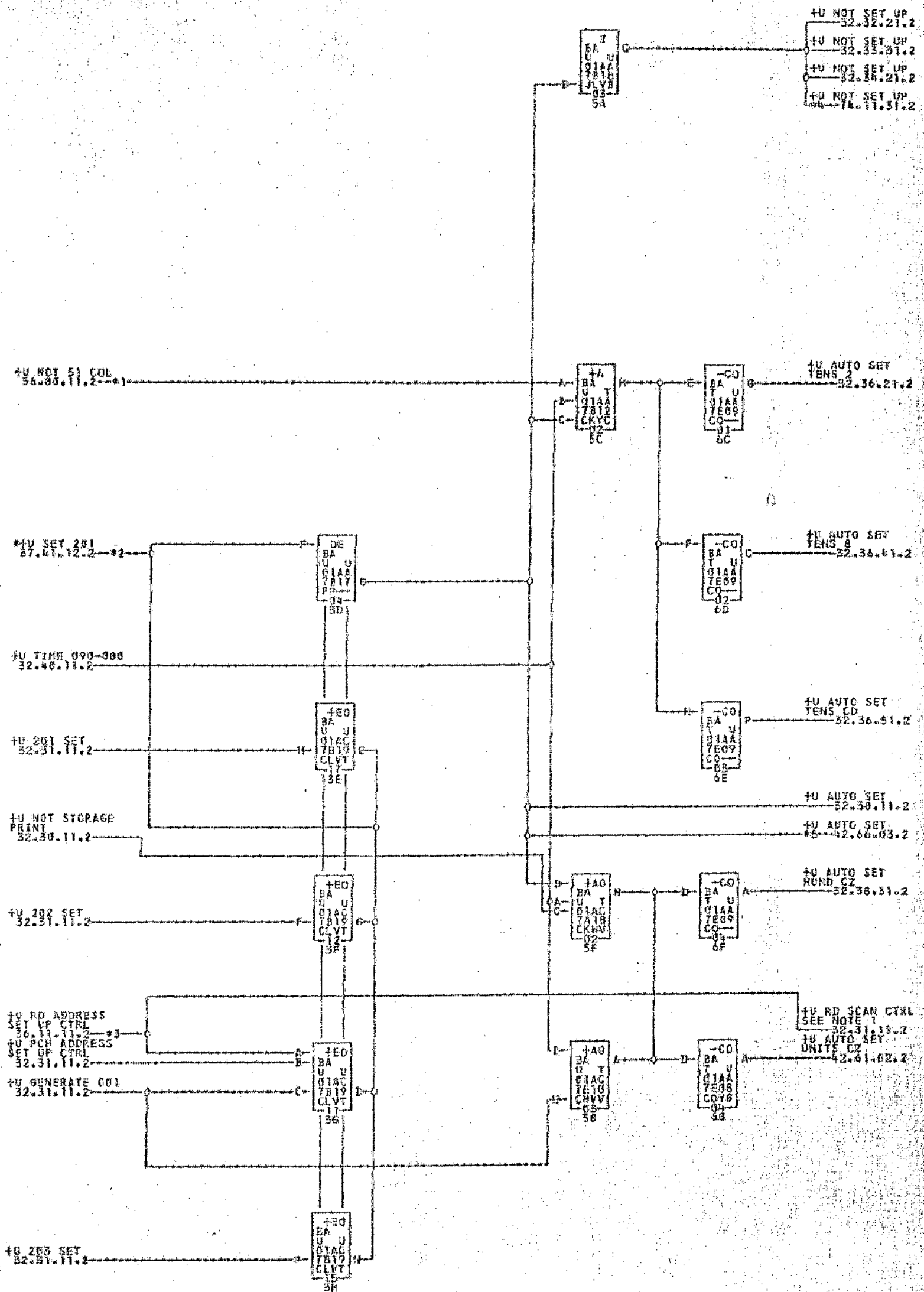
FORM 60-514-0



#1-01A7D25E #2-01A7D25A #3-01A7D25D #4-01A7E05E #5-01A7D25C
 #6-01A7D25L #7-01A7D25R #8-01A7F05D

NOTE- WHEN A SIGNAL IS RECEIVED BY AN ASTERISK, ITS EXTENSION INDICATES CABLE CONNECTIONS FOR REMOTE RECYCLE CONTROL INSTALLATION.

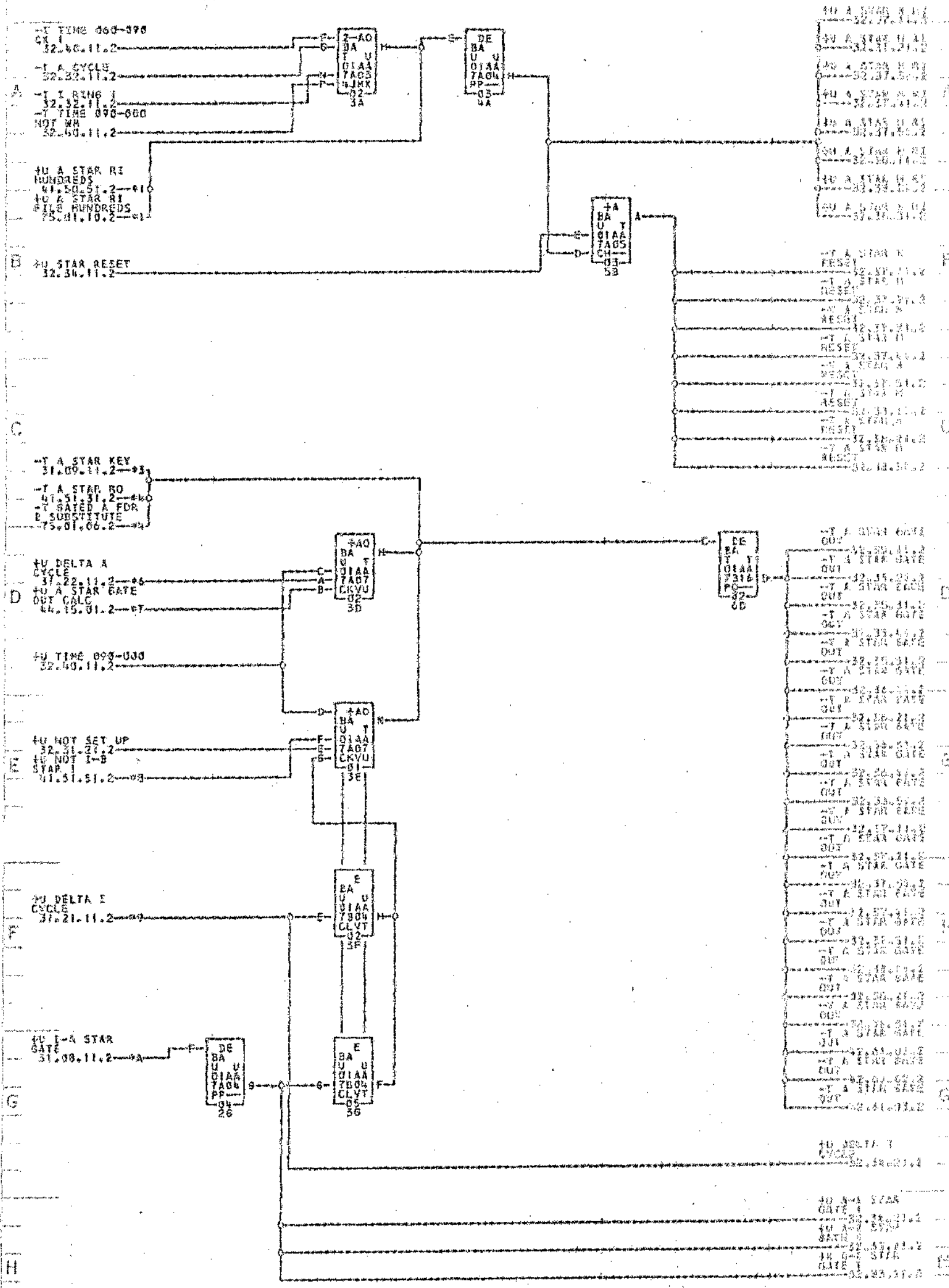
REV. DATE	E.C. NO.	REV. DATE	E.C. NO.	REV. DATE	E.C. NO.
1A 07-31-51	118204	B 07-30-51	118204	C 03-16-51	118204
				D 00-29-52	118043



- *1-01ATB23R *2-01ATB17F *3-01A9C14 *4-01ATD25B *5-01A7C22H *6-02A0F17F
- 02B1F65N 01ATF25H 00B1A06H

NOTE 1 THIS SIGNAL IS NOT CONNECTED WHEN 51 COL OPTION IS INSTALLED.
 NOTE 2 WHEN A SIGNAL IS PRECEDED BY AN ASTERISK, ITS EXPANSION INDICATES CABLE WIRING FOR REMOTE RECYCLE CONTROL INSTALLATION.

TAG	DATE	EC NO.	TAG	DATE	EC NO.	TAG	DATE	EC NO.	TAG	DATE	EC NO.
A	05-31-61	110320H	B	07-16-61	110320F	C	12-01-61	113422	D	08-29-62	114043



#1--01A7B24M #3--01A7F25K #4--01A7B24M #6--01A7F25E #7--01A7A23H #8--01A7B24M
 #2--01A7F25F #5--01A7F25A

COMMENTS

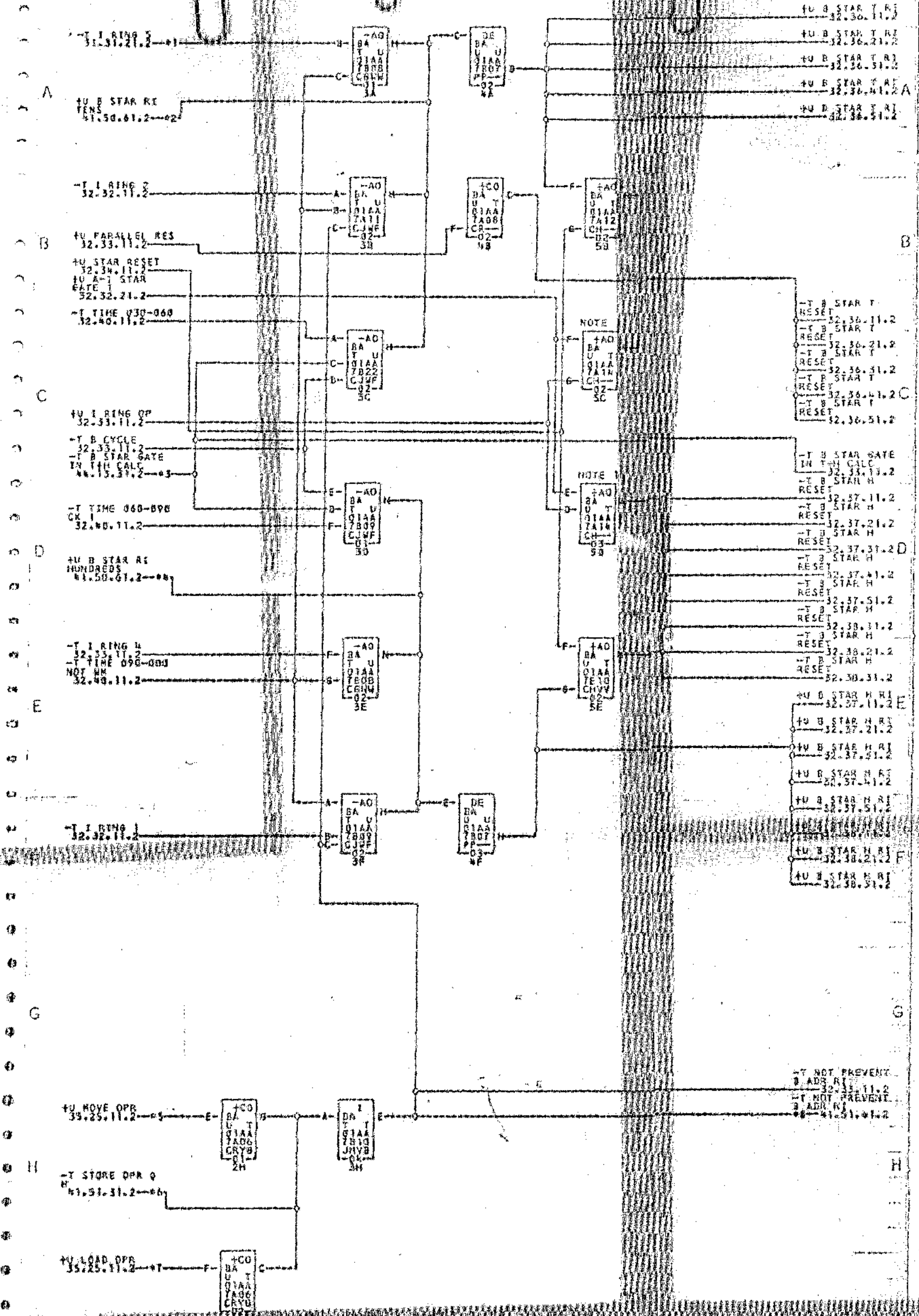
TAG DATE E.C.NO. TAG DATE E.C.NO. TAG DATE E.C.NO. TAG DATE E.C.NO.
 A 05-31-61 710520H

0723956

B STAR CONTROL TENS AND HUNDREDS

1MO1 BA

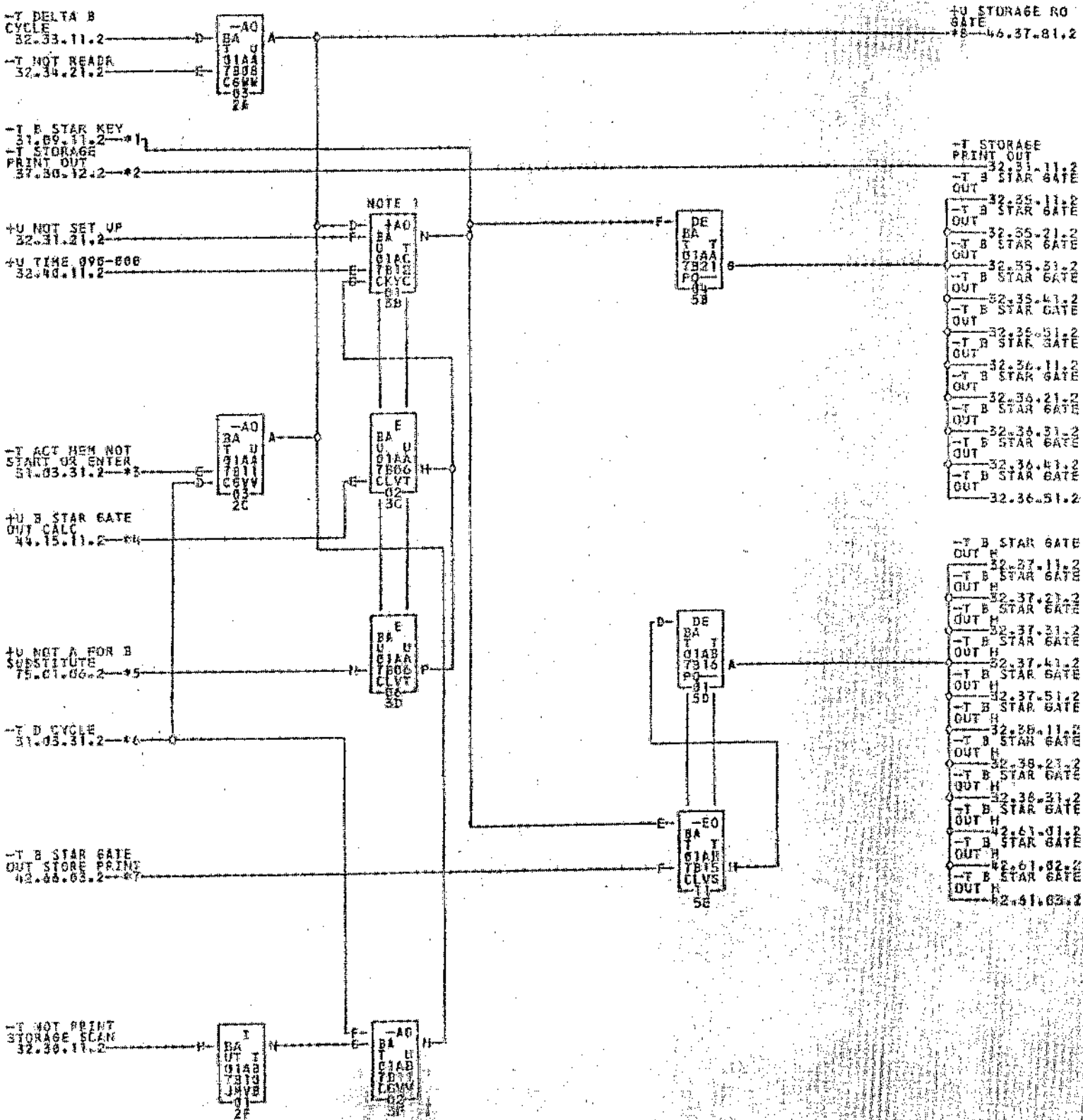
32.33.21.2



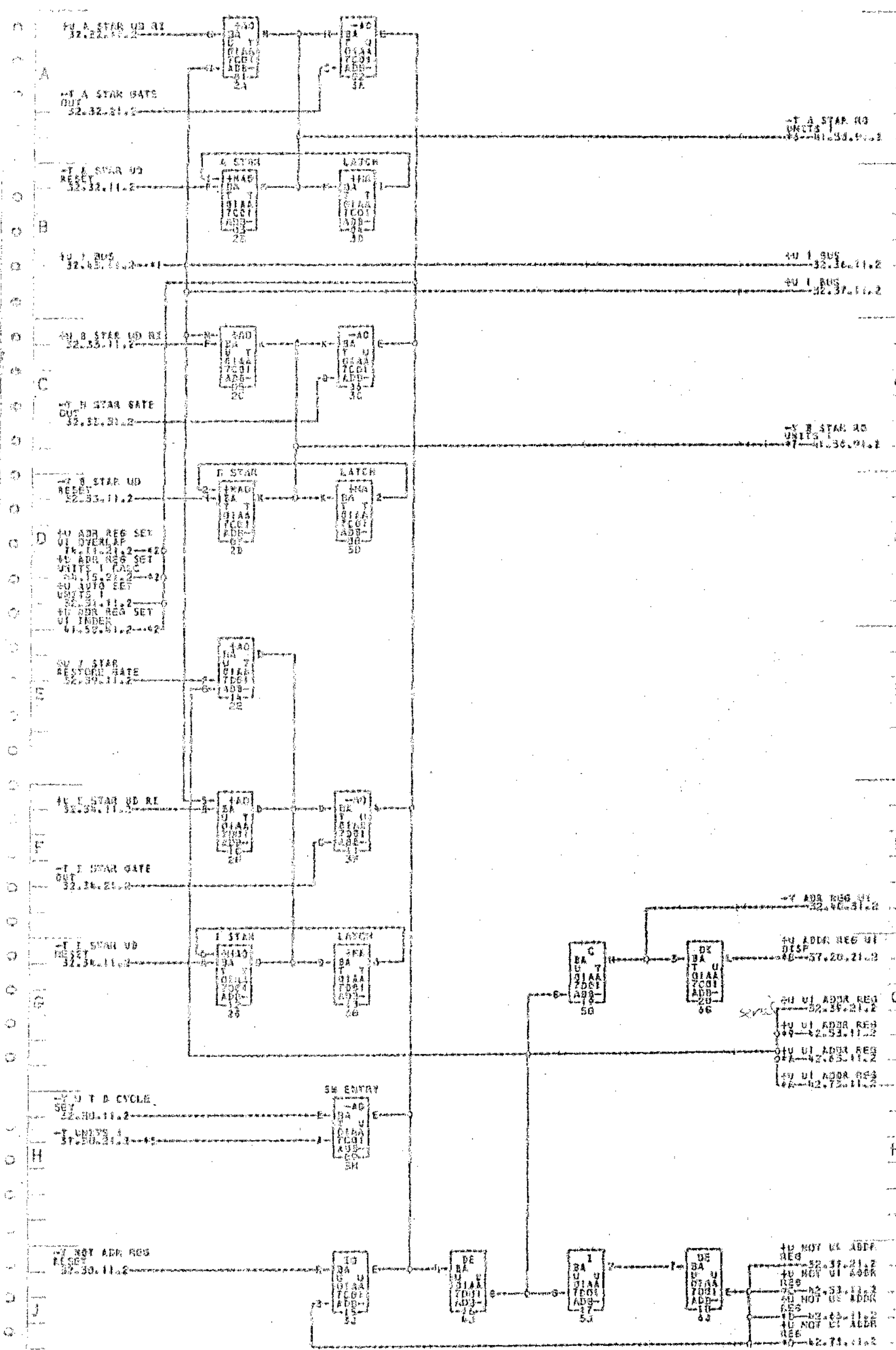
- #1-01A7026E
- #2-01A7026D
- #3-01A7A26E
- #4-01A7026E
- #5-01A7A26E
- #6-01A7026D

NOTE: REMOVE THIS CARD IF APP. FEATURE INSTALLED.

COMMENTS	TAG	DATE	E.C. NO.	TAG	DATE	E.C. NO.	TAG	DATE	E.C. NO.
	A	05-21-61	110320H	B	07-10-61	110326K			



#1--01A7E23J #2--01A7E23G #3--01A7E23R #4--01A7A22J #5--01A7E25H #6--01A7F25R
 #7--01A7F236 #8--01A7E23K #9--01A6E26R #10--01A6C25L #11--01A5D24L

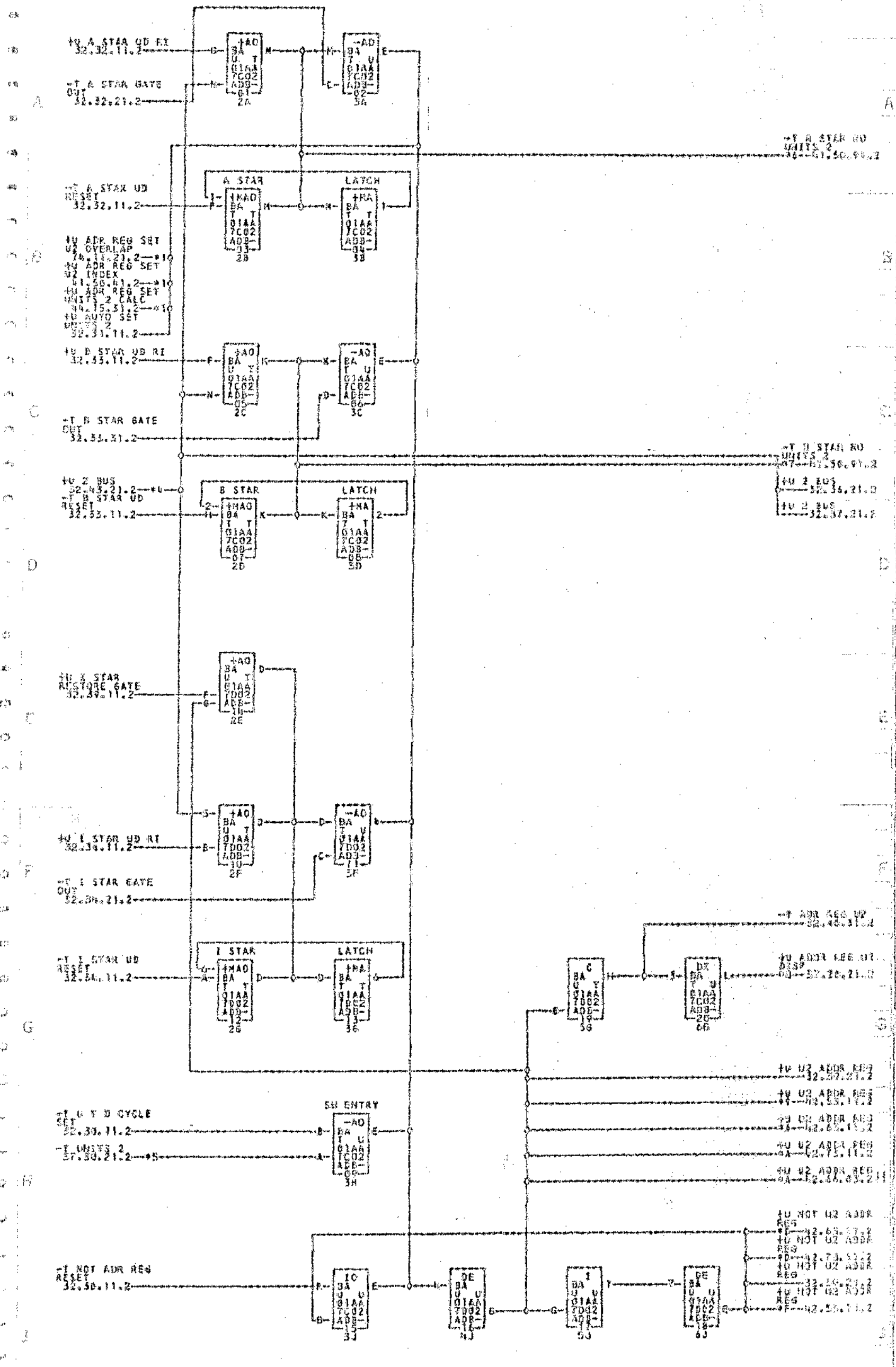


- 01-01A7224E 02-01A7224A 03-01A7224B 04-01A7224C 05-01A7224D 06-01A7224E
- 07-01A7224F 08-01A7224G 09-01A7224H 10-01A7224I 11-01A7224J 12-01A7224K
- 13-01A7224L 14-01A7224M 15-01A7224N 16-01A7224O 17-01A7224P 18-01A7224Q
- 19-01A7224R 20-01A7224S 21-01A7224T 22-01A7224U 23-01A7224V 24-01A7224W
- 25-01A7224X 26-01A7224Y 27-01A7224Z 28-01A7224AA 29-01A7224AB 30-01A7224AC
- 31-01A7224AD 32-01A7224AE 33-01A7224AF 34-01A7224AG 35-01A7224AH 36-01A7224AI
- 37-01A7224AJ 38-01A7224AK 39-01A7224AL 40-01A7224AM 41-01A7224AN 42-01A7224AO
- 43-01A7224AP 44-01A7224AQ 45-01A7224AR 46-01A7224AS 47-01A7224AT 48-01A7224AU
- 49-01A7224AV 50-01A7224AW 51-01A7224AX 52-01A7224AY 53-01A7224AZ 54-01A7224BA
- 55-01A7224BB 56-01A7224BC 57-01A7224BD 58-01A7224BE 59-01A7224BF 60-01A7224BG
- 61-01A7224BH 62-01A7224BI 63-01A7224BJ 64-01A7224BK 65-01A7224BL 66-01A7224BM
- 67-01A7224BN 68-01A7224BO 69-01A7224BP 70-01A7224BQ 71-01A7224BR 72-01A7224BS
- 73-01A7224BT 74-01A7224BU 75-01A7224BV 76-01A7224BW 77-01A7224BX 78-01A7224BY
- 79-01A7224BZ 80-01A7224CA 81-01A7224CB 82-01A7224CC 83-01A7224CD 84-01A7224CE
- 85-01A7224CF 86-01A7224CG 87-01A7224CH 88-01A7224CI 89-01A7224CJ 90-01A7224CK
- 91-01A7224CL 92-01A7224CM 93-01A7224CN 94-01A7224CO 95-01A7224CP 96-01A7224CQ
- 97-01A7224CR 98-01A7224CS 99-01A7224CT 100-01A7224CU

COMMENTS

YAG DATE	E.C.NO.	YAG DATE	E.C.NO.	YAG DATE	E.C.NO.	YAG DATE	E.C.NO.
11-05-11-61	113320H						

ANYONE
 3000 37400001



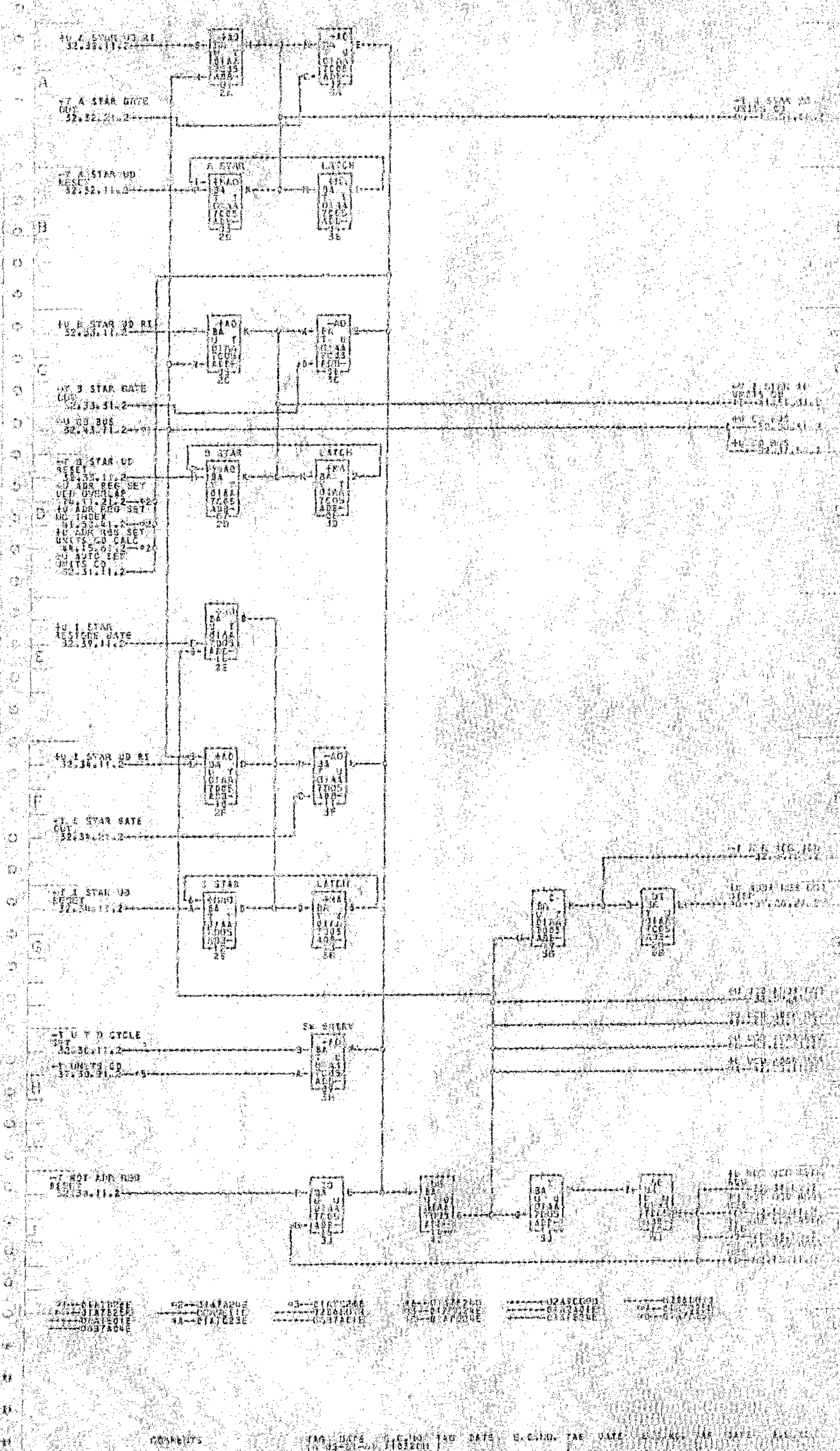
- *1--01A7A24B *2--01A7B24B *3--01A7E24B *4--01A7F24F *5--02A0B11D *6--02B0D01H
- *7--01A7B256 *8--02A9B11C *9--02B6B016 *A--01A7C24E *B--01A7A01B *C--01A7C130
- *D--01A7E01B *E--01A7C258 *F--02B7A01B *G--01A7D25E *H--02B7A04E *I--01A7D24D
- *J--01A7B02B

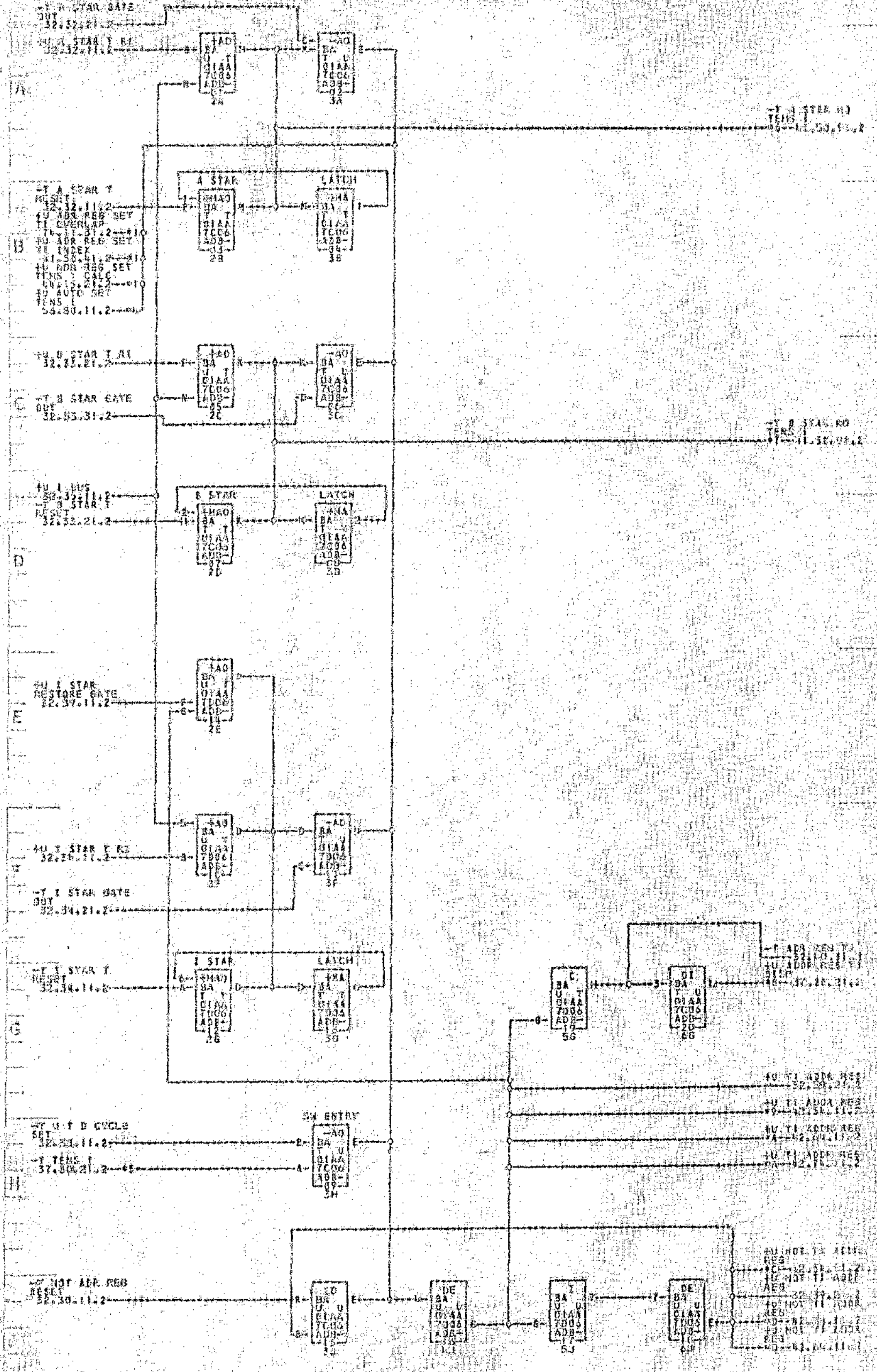
COMMENTS

TAG DATE E.C. NO. TAG DATE E.C. NO. TAG DATE E.C. NO. TAG DATE E.C. NO.

A 05-31-61 110320H B 07-10-61 110520R

100-214007



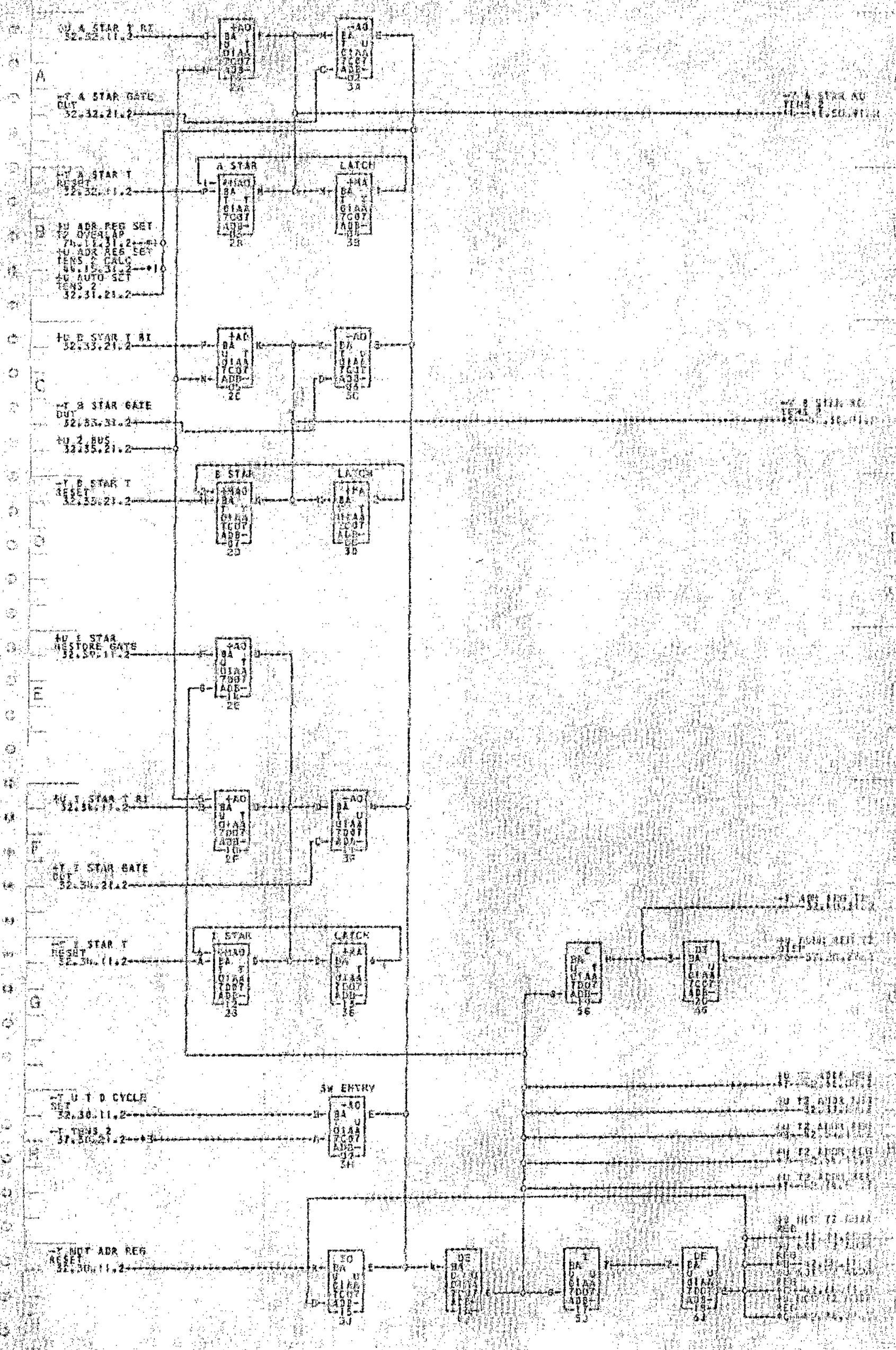


- 41--01A7A00F
- 42--01A7B25C
- 43--01A7C01F
- 44--01A7D240
- 45--01A7E24F
- 46--01A7F240
- 47--01A7G24F
- 48--01A7H240
- 49--01A7I24F
- 50--01A7J240
- 51--01A7K24F
- 52--01A7L240
- 53--01A7M24F
- 54--01A7N240
- 55--01A7O24F
- 56--01A7P240
- 57--01A7Q24F
- 58--01A7R240
- 59--01A7S24F
- 60--01A7T240

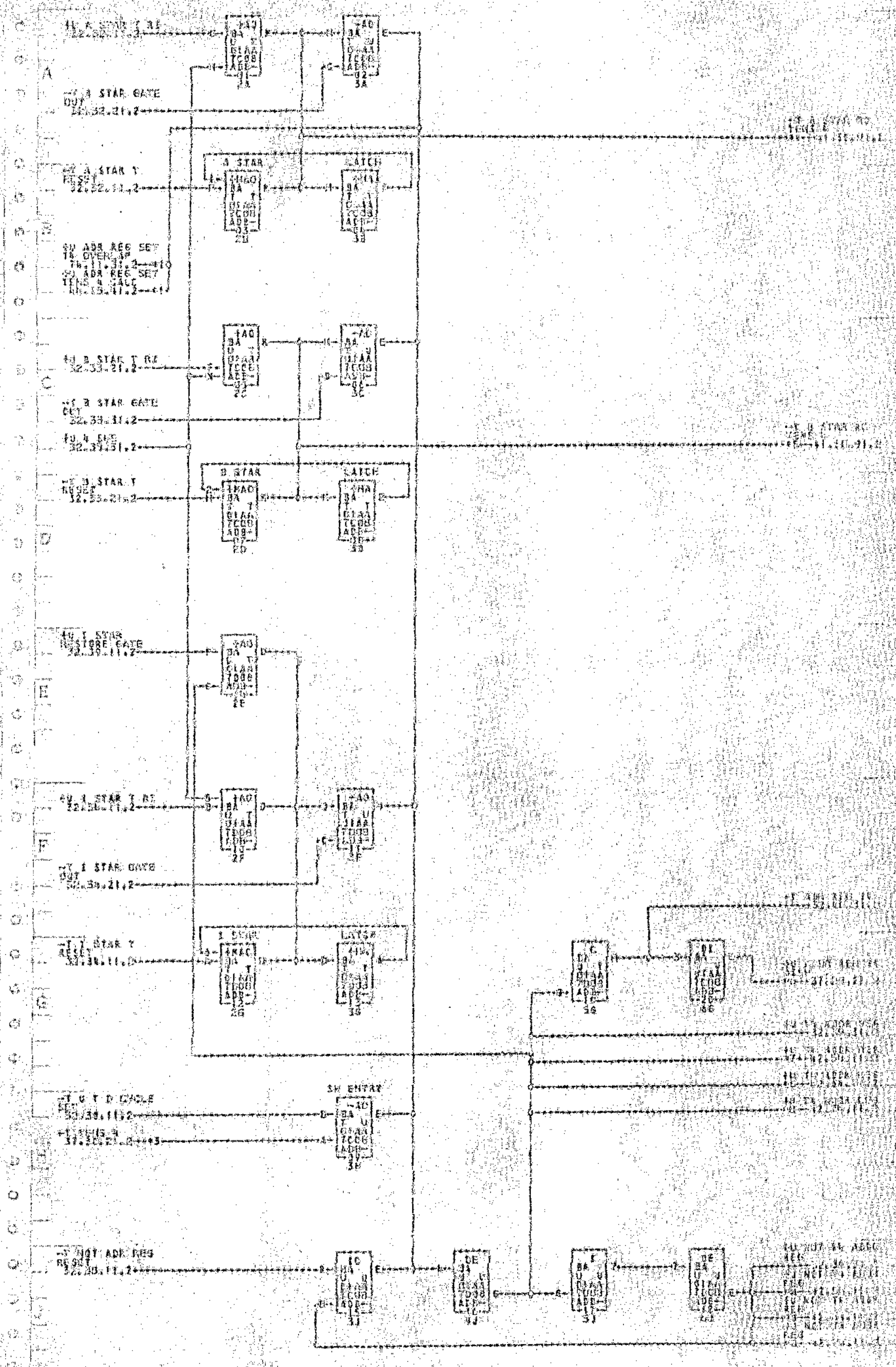
CORRECTIONS

TAG DATE E.C.NO. TAG DATE E.C.NO. TAG DATE E.C.NO. TAG DATE E.C.NO.

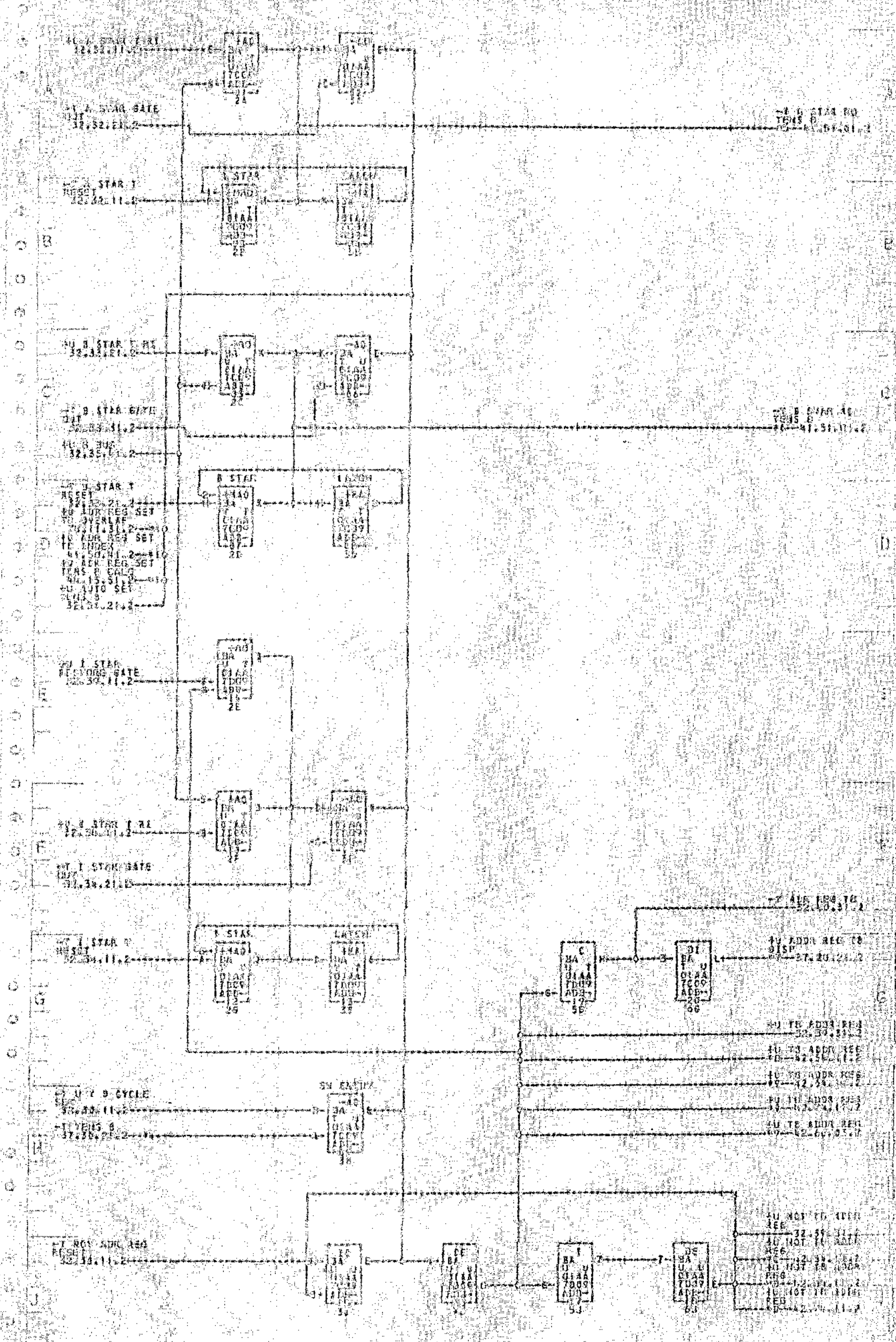
17 05-21-61 110330M



#1--01A7A25E #3--01A7C25G #5--01A7E25E #7--01A7G25E #9--01A7I25E
 #2--01A7B25E #4--01A7D25G #6--01A7F25E #8--01A7H25E #10--01A7J25E

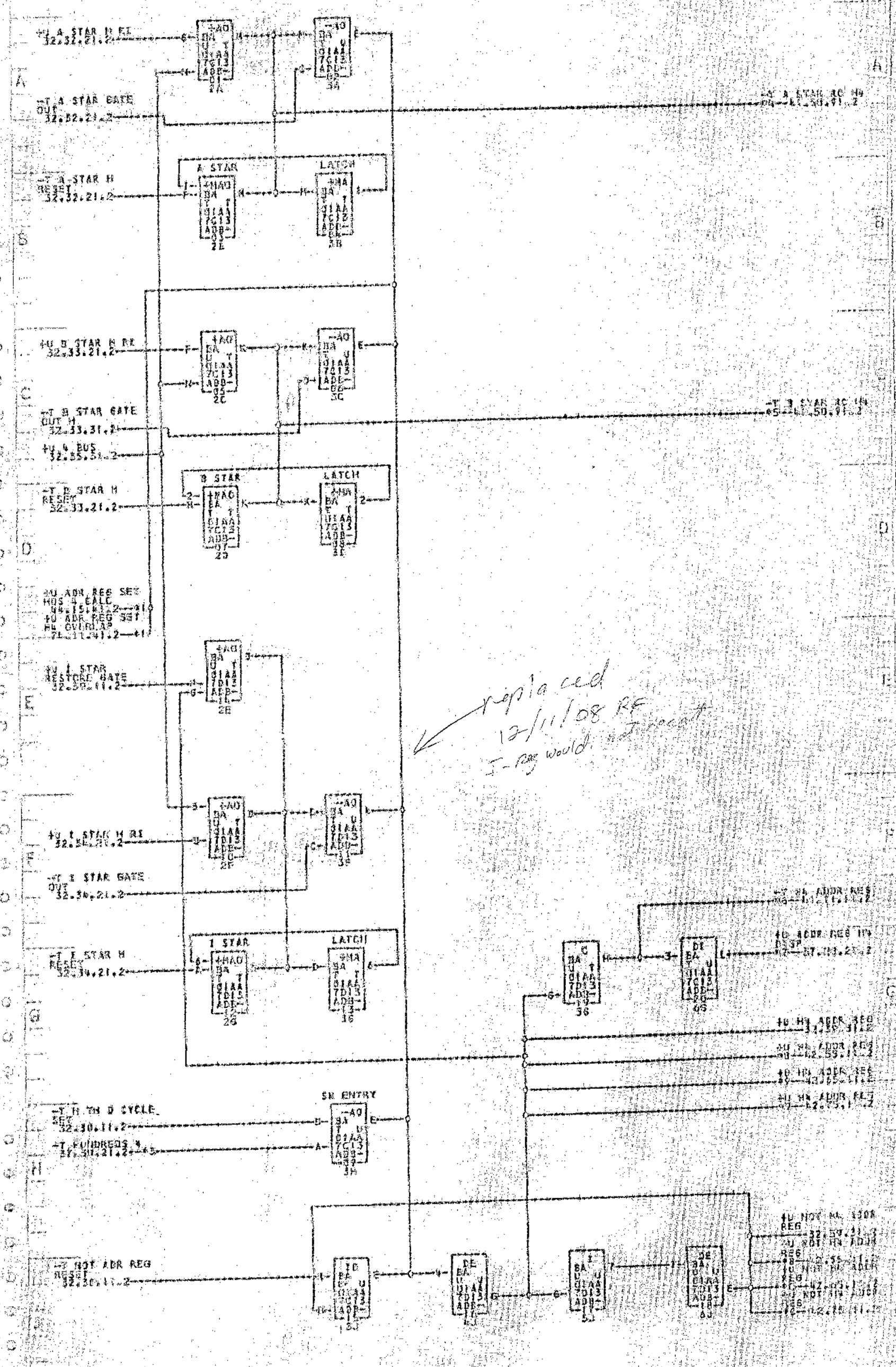


41--01070204 43--01070204 45--01070204 47--01070204 49--01070204 51--01070204 53--01070204
 01--01070204 03--01070204 05--01070204 07--01070204 09--01070204 11--01070204 13--01070204
 15--01070204 17--01070204 19--01070204 21--01070204 23--01070204 25--01070204 27--01070204
 29--01070204 31--01070204 33--01070204 35--01070204 37--01070204 39--01070204 41--01070204
 43--01070204 45--01070204 47--01070204 49--01070204 51--01070204 53--01070204 55--01070204
 57--01070204 59--01070204 61--01070204 63--01070204 65--01070204 67--01070204 69--01070204
 71--01070204 73--01070204 75--01070204 77--01070204 79--01070204 81--01070204 83--01070204
 85--01070204 87--01070204 89--01070204 91--01070204 93--01070204 95--01070204 97--01070204
 99--01070204



01-01A7A001 01-01A7A028 01-01A7A031 01-01A7A034 01-01A7A037 01-01A7A040
 02-01A7A032 03-01A7A035 04-01A7A038 05-01A7A041 06-01A7A044 07-01A7A047
 08-01A7A050 09-01A7A053 10-01A7A056 11-01A7A059 12-01A7A062 13-01A7A065
 14-01A7A068 15-01A7A071 16-01A7A074 17-01A7A077 18-01A7A080 19-01A7A083
 20-01A7A086 21-01A7A089 22-01A7A092 23-01A7A095 24-01A7A098 25-01A7A101
 26-01A7A104 27-01A7A107 28-01A7A110 29-01A7A113 30-01A7A116 31-01A7A119
 32-01A7A122 33-01A7A125 34-01A7A128 35-01A7A131 36-01A7A134 37-01A7A137
 38-01A7A140 39-01A7A143 40-01A7A146 41-01A7A149 42-01A7A152 43-01A7A155
 44-01A7A158 45-01A7A161 46-01A7A164 47-01A7A167 48-01A7A170 49-01A7A173
 50-01A7A176 51-01A7A179 52-01A7A182 53-01A7A185 54-01A7A188 55-01A7A191
 56-01A7A194 57-01A7A197 58-01A7A200 59-01A7A203 60-01A7A206 61-01A7A209
 62-01A7A212 63-01A7A215 64-01A7A218 65-01A7A221 66-01A7A224 67-01A7A227
 68-01A7A230 69-01A7A233 70-01A7A236 71-01A7A239 72-01A7A242 73-01A7A245
 74-01A7A248 75-01A7A251 76-01A7A254 77-01A7A257 78-01A7A260 79-01A7A263
 80-01A7A266 81-01A7A269 82-01A7A272 83-01A7A275 84-01A7A278 85-01A7A281
 86-01A7A284 87-01A7A287 88-01A7A290 89-01A7A293 90-01A7A296 91-01A7A299
 92-01A7A302 93-01A7A305 94-01A7A308 95-01A7A311 96-01A7A314 97-01A7A317
 98-01A7A320 99-01A7A323 00-01A7A326 01-01A7A329 02-01A7A332 03-01A7A335
 04-01A7A338 05-01A7A341 06-01A7A344 07-01A7A347 08-01A7A350 09-01A7A353
 10-01A7A356 11-01A7A359 12-01A7A362 13-01A7A365 14-01A7A368 15-01A7A371
 16-01A7A374 17-01A7A377 18-01A7A380 19-01A7A383 20-01A7A386 21-01A7A389
 22-01A7A392 23-01A7A395 24-01A7A398 25-01A7A401 26-01A7A404 27-01A7A407
 28-01A7A410 29-01A7A413 30-01A7A416 31-01A7A419 32-01A7A422 33-01A7A425
 34-01A7A428 35-01A7A431 36-01A7A434 37-01A7A437 38-01A7A440 39-01A7A443
 40-01A7A446 41-01A7A449 42-01A7A452 43-01A7A455 44-01A7A458 45-01A7A461
 46-01A7A464 47-01A7A467 48-01A7A470 49-01A7A473 50-01A7A476 51-01A7A479
 52-01A7A482 53-01A7A485 54-01A7A488 55-01A7A491 56-01A7A494 57-01A7A497
 58-01A7A500 59-01A7A503 60-01A7A506 61-01A7A509 62-01A7A512 63-01A7A515
 64-01A7A518 65-01A7A521 66-01A7A524 67-01A7A527 68-01A7A530 69-01A7A533
 70-01A7A536 71-01A7A539 72-01A7A542 73-01A7A545 74-01A7A548 75-01A7A551
 76-01A7A554 77-01A7A557 78-01A7A560 79-01A7A563 80-01A7A566 81-01A7A569
 82-01A7A572 83-01A7A575 84-01A7A578 85-01A7A581 86-01A7A584 87-01A7A587
 88-01A7A590 89-01A7A593 90-01A7A596 91-01A7A599 92-01A7A602 93-01A7A605
 94-01A7A608 95-01A7A611 96-01A7A614 97-01A7A617 98-01A7A620 99-01A7A623
 00-01A7A626 01-01A7A629 02-01A7A632 03-01A7A635 04-01A7A638 05-01A7A641
 06-01A7A644 07-01A7A647 08-01A7A650 09-01A7A653 10-01A7A656 11-01A7A659
 12-01A7A662 13-01A7A665 14-01A7A668 15-01A7A671 16-01A7A674 17-01A7A677
 18-01A7A680 19-01A7A683 20-01A7A686 21-01A7A689 22-01A7A692 23-01A7A695
 24-01A7A698 25-01A7A701 26-01A7A704 27-01A7A707 28-01A7A710 29-01A7A713
 30-01A7A716 31-01A7A719 32-01A7A722 33-01A7A725 34-01A7A728 35-01A7A731
 36-01A7A734 37-01A7A737 38-01A7A740 39-01A7A743 40-01A7A746 41-01A7A749
 42-01A7A752 43-01A7A755 44-01A7A758 45-01A7A761 46-01A7A764 47-01A7A767
 48-01A7A770 49-01A7A773 50-01A7A776 51-01A7A779 52-01A7A782 53-01A7A785
 54-01A7A788 55-01A7A791 56-01A7A794 57-01A7A797 58-01A7A800 59-01A7A803
 60-01A7A806 61-01A7A809 62-01A7A812 63-01A7A815 64-01A7A818 65-01A7A821
 66-01A7A824 67-01A7A827 68-01A7A830 69-01A7A833 70-01A7A836 71-01A7A839
 72-01A7A842 73-01A7A845 74-01A7A848 75-01A7A851 76-01A7A854 77-01A7A857
 78-01A7A860 79-01A7A863 80-01A7A866 81-01A7A869 82-01A7A872 83-01A7A875
 84-01A7A878 85-01A7A881 86-01A7A884 87-01A7A887 88-01A7A890 89-01A7A893
 90-01A7A896 91-01A7A899 92-01A7A902 93-01A7A905 94-01A7A908 95-01A7A911
 96-01A7A914 97-01A7A917 98-01A7A920 99-01A7A923 00-01A7A926 01-01A7A929
 02-01A7A932 03-01A7A935 04-01A7A938 05-01A7A941 06-01A7A944 07-01A7A947
 08-01A7A950 09-01A7A953 10-01A7A956 11-01A7A959 12-01A7A962 13-01A7A965
 14-01A7A968 15-01A7A971 16-01A7A974 17-01A7A977 18-01A7A980 19-01A7A983
 20-01A7A986 21-01A7A989 22-01A7A992 23-01A7A995 24-01A7A998 25-01A7A1001
 26-01A7A1004 27-01A7A1007 28-01A7A1010 29-01A7A1013 30-01A7A1016 31-01A7A1019
 32-01A7A1022 33-01A7A1025 34-01A7A1028 35-01A7A1031 36-01A7A1034 37-01A7A1037
 38-01A7A1040 39-01A7A1043 40-01A7A1046 41-01A7A1049 42-01A7A1052 43-01A7A1055
 44-01A7A1058 45-01A7A1061 46-01A7A1064 47-01A7A1067 48-01A7A1070 49-01A7A1073
 50-01A7A1076 51-01A7A1079 52-01A7A1082 53-01A7A1085 54-01A7A1088 55-01A7A1091
 56-01A7A1094 57-01A7A1097 58-01A7A1100 59-01A7A1103 60-01A7A1106 61-01A7A1109
 62-01A7A1112 63-01A7A1115 64-01A7A1118 65-01A7A1121 66-01A7A1124 67-01A7A1127
 68-01A7A1130 69-01A7A1133 70-01A7A1136 71-01A7A1139 72-01A7A1142 73-01A7A1145
 74-01A7A1148 75-01A7A1151 76-01A7A1154 77-01A7A1157 78-01A7A1160 79-01A7A1163
 80-01A7A1166 81-01A7A1169 82-01A7A1172 83-01A7A1175 84-01A7A1178 85-01A7A1181
 86-01A7A1184 87-01A7A1187 88-01A7A1190 89-01A7A1193 90-01A7A1196 91-01A7A1199
 92-01A7A1202 93-01A7A1205 94-01A7A1208 95-01A7A1211 96-01A7A1214 97-01A7A1217
 98-01A7A1220 99-01A7A1223 00-01A7A1226 01-01A7A1229 02-01A7A1232 03-01A7A1235
 04-01A7A1238 05-01A7A1241 06-01A7A1244 07-01A7A1247 08-01A7A1250 09-01A7A1253
 10-01A7A1256 11-01A7A1259 12-01A7A1262 13-01A7A1265 14-01A7A1268 15-01A7A1271
 16-01A7A1274 17-01A7A1277 18-01A7A1280 19-01A7A1283 20-01A7A1286 21-01A7A1289
 22-01A7A1292 23-01A7A1295 24-01A7A1298 25-01A7A1301 26-01A7A1304 27-01A7A1307
 28-01A7A1310 29-01A7A1313 30-01A7A1316 31-01A7A1319 32-01A7A1322 33-01A7A1325
 34-01A7A1328 35-01A7A1331 36-01A7A1334 37-01A7A1337 38-01A7A1340 39-01A7A1343
 40-01A7A1346 41-01A7A1349 42-01A7A1352 43-01A7A1355 44-01A7A1358 45-01A7A1361
 46-01A7A1364 47-01A7A1367 48-01A7A1370 49-01A7A1373 50-01A7A1376 51-01A7A1379
 52-01A7A1382 53-01A7A1385 54-01A7A1388 55-01A7A1391 56-01A7A1394 57-01A7A1397
 58-01A7A1400 59-01A7A1403 60-01A7A1406 61-01A7A1409 62-01A7A1412 63-01A7A1415
 64-01A7A1418 65-01A7A1421 66-01A7A1424 67-01A7A1427 68-01A7A1430 69-01A7A1433
 70-01A7A1436 71-01A7A1439 72-01A7A1442 73-01A7A1445 74-01A7A1448 75-01A7A1451
 76-01A7A1454 77-01A7A1457 78-01A7A1460 79-01A7A1463 80-01A7A1466 81-01A7A1469
 82-01A7A1472 83-01A7A1475 84-01A7A1478 85-01A7A1481 86-01A7A1484 87-01A7A1487
 88-01A7A1490 89-01A7A1493 90-01A7A1496 91-01A7A1499 92-01A7A1502 93-01A7A1505
 94-01A7A1508 95-01A7A1511 96-01A7A1514 97-01A7A1517 98-01A7A1520 99-01A7A1523
 00-01A7A1526 01-01A7A1529 02-01A7A1532 03-01A7A1535 04-01A7A1538 05-01A7A1541
 06-01A7A1544 07-01A7A1547 08-01A7A1550 09-01A7A1553 10-01A7A1556 11-01A7A1559
 12-01A7A1562 13-01A7A1565 14-01A7A1568 15-01A7A1571 16-01A7A1574 17-01A7A1577
 18-01A7A1580 19-01A7A1583 20-01A7A1586 21-01A7A1589 22-01A7A1592 23-01A7A1595
 24-01A7A1598 25-01A7A1601 26-01A7A1604 27-01A7A1607 28-01A7A1610 29-01A7A1613
 30-01A7A1616 31-01A7A1619 32-01A7A1622 33-01A7A1625 34-01A7A1628 35-01A7A1631
 36-01A7A1634 37-01A7A1637 38-01A7A1640 39-01A7A1643 40-01A7A1646 41-01A7A1649
 42-01A7A1652 43-01A7A1655 44-01A7A1658 45-01A7A1661 46-01A7A1664 47-01A7A1667
 48-01A7A1670 49-01A7A1673 50-01A7A1676 51-01A7A1679 52-01A7A1682 53-01A7A1685
 54-01A7A1688 55-01A7A1691 56-01A7A1694 57-01A7A1697 58-01A7A1700 59-01A7A1703
 60-01A7A1706 61-01A7A1709 62-01A7A1712 63-01A7A1715 64-01A7A1718 65-01A7A1721
 66-01A7A1724 67-01A7A1727 68-01A7A1730 69-01A7A1733 70-01A7A1736 71-01A7A1739
 72-01A7A1742 73-01A7A1745 74-01A7A1748 75-01A7A1751 76-01A7A1754 77-01A7A1757
 78-01A7A1760 79-01A7A1763 80-01A7A1766 81-01A7A1769 82-01A7A1772 83-01A7A1775
 84-01A7A1778 85-01A7A1781 86-01A7A1784 87-01A7A1787 88-01A7A1790 89-01A7A1793
 90-01A7A1796 91-01A7A1799 92-01A7A1802 93-01A7A1805 94-01A7A1808 95-01A7A1811
 96-01A7A1814 97-01A7A1817 98-01A7A1820 99-01A7A1823 00-01A7A1826 01-01A7A1829
 02-01A7A1832 03-01A7A1835 04-01A7A1838 05-01A7A1841 06-01A7A1844 07-01A7A1847
 08-01A7A1850 09-01A7A1853 10-01A7A1856 11-01A7A1859 12-01A7A1862 13-01A7A1865
 14-01A7A1868 15-01A7A1871 16-01A7A1874 17-01A7A1877 18-01A7A1880 19-01A7A1883
 20-01A7A1886 21-01A7A1889 22-01A7A1892 23-01A7A1895 24-01A7A1898 25-01A7A1901
 26-01A7A1904 27-01A7A1907 28-01A7A1910 29-01A7A1913 30-01A7A1916 31-01A7A1919
 32-01A7A1922 33-01A7A1925 34-01A7A1928 35-01A7A1931 36-01A7A1934 37-01A7A1937
 38-01A7A1940 39-01A7A1943 40-01A7A1946 41-01A7A1949 42-01A7A1952 43-01A7A1955
 44-01A7A1958 45-01A7A1961 46-01A7A1964 47-01A7A1967 48-01A7A1970 49-01A7A1973
 50-01A7A1976 51-01A7A1979 52-01A7A1982 53-01A7A1985 54-01A7A1988 55-01A7A1991
 56-01A7A1994 57-01A7A1997 58-01A7A2000 59-01A7A2003 60-01A7A2006 61-01A7A2009
 62-01A7A2012 63-01A7A2015 64-01A7A2018 65-01A7A2021 66-01A7A2024 67-01A7A2027
 68-01A7A2030 69-01A7A2033 70-01A7A2036 71-01A7A2039 72-01A7A2042 73-01A7A2045
 74-01A7A2048 75-01A7A2051 76-01A7A2054 77-01A7A2057 78-01A7A2060 79-01A7A2063
 80-01A7A2066 81-01A7A2069 82-01A7A2072 83-01A7A2075 84-01A7A2078 85-01A7A2081
 86-01A7A2084 87-01A7A2087 88-01A7A2090 89-01A7A2093 90-01A7A2096 91-01A7A2099
 92-01A7A2102 93-01A7A2105 94-01A7A2108 95-01A7A2111 96-01A7A2114 97-01A7A2117
 98-01A7A2120 99-01A7A2123 00-01A7A2126 01-01A7A2129 02-01A7A2132 03-01A7A2135
 04-01A7A2138 05-01A7A2141 06-01A7A2144 07-01A7A2147 08-01A7A2150 09-01A7A2153
 10-01A7A2156 11-01A7A2159 12-01A7A2162 13-01A7A2165 14-01A7A2168 15-01A7A2171
 16-01A7A2174 17-01A7A2177 18-01A7A2180 19-01A7A2183 20-01A7A2186 21-01A7A2189
 22-01A7A2192 23-01A7A2195 24-01A7A2198 25-01A7A2201 26-01A7A2204 27-01A7A2207
 28-01A7A2210 29-01A7A2213 30-01A7A2216 31-01A7A2219 32-01A7A2222 33-01A7A2225
 34-01A7A2228 35-01A7A2231 36-01A7A2234 37-01A7A2237 38-01A7A2240 39-01A7A2243
 40-01A7A2246 41-01A7A2249 42-01A7A2252 43-01A7A2255 44-01A7A2258 45-01A7A2261
 46-01A7A2264 47-01A7A2267 48-01A7A2270 49-01A7A2273 50-01A7A2276 51-01A7A2279
 52-01A7A2282 53-01A7A2285 54-01A7A2288 55-01A7A2291 56-01A7A2294 57-01A7A2297
 58-01A7A2300 59-01A7A2303 60-01A7A2306 61-01A7A2309 62-01A7A2312 63-01A7A2315
 64-01A7A2318 65-01A7A2321 66-01A7A2324 67-01A7A2327 68-01A7A2330 69-01A7A2333
 70-01A7A2336 71-01A7A2339 72-01A7A2342 73-01A7A2345 74-01A7A2348 75-01A7A2351
 76-01A7A2354 77-01A7A2357 78-01A7A2360 79-01A7A2363 80-01A7A2366 81-01A7A2369
 82-01A7A2372 83-01A7A2375 84-01A7A2378 85-01A7A2381 86-01A7A2384 87-01A7A2387
 88-01A7A2390 89-01A7A2393 90-01A7A2396 91-01A7A2399 92-01A7A2402 93-01A7A2405
 94-01A7A2408 95-01A7A2411 96-01A7A2414 97-01A7A2417 98-01A7A2420 99-01A7A2423
 00-01A7A2426 01-01A7A2429 02-01A7A2432

0725972

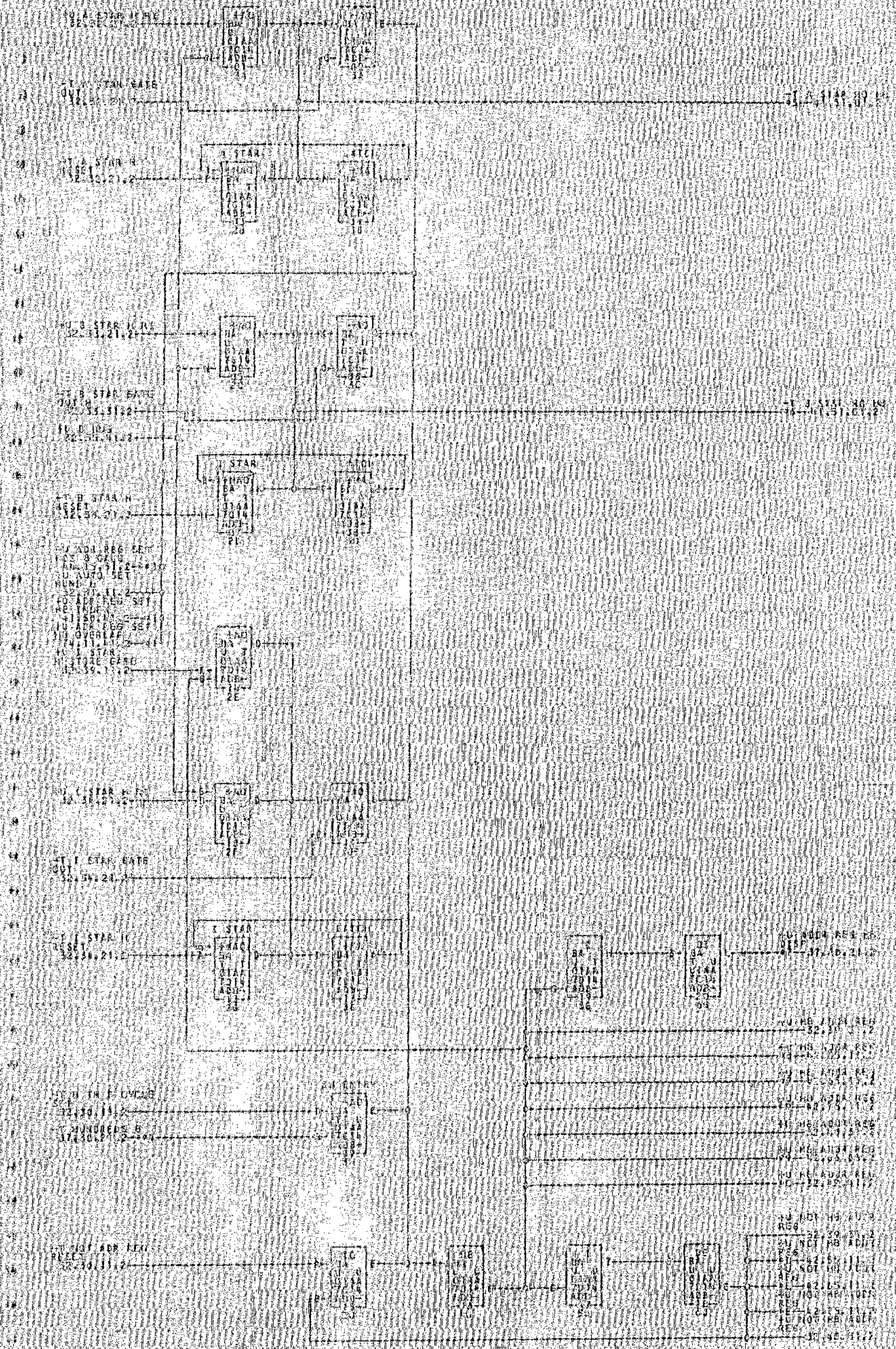


*replaced
12/11/68 RE
I - reg would not connect*

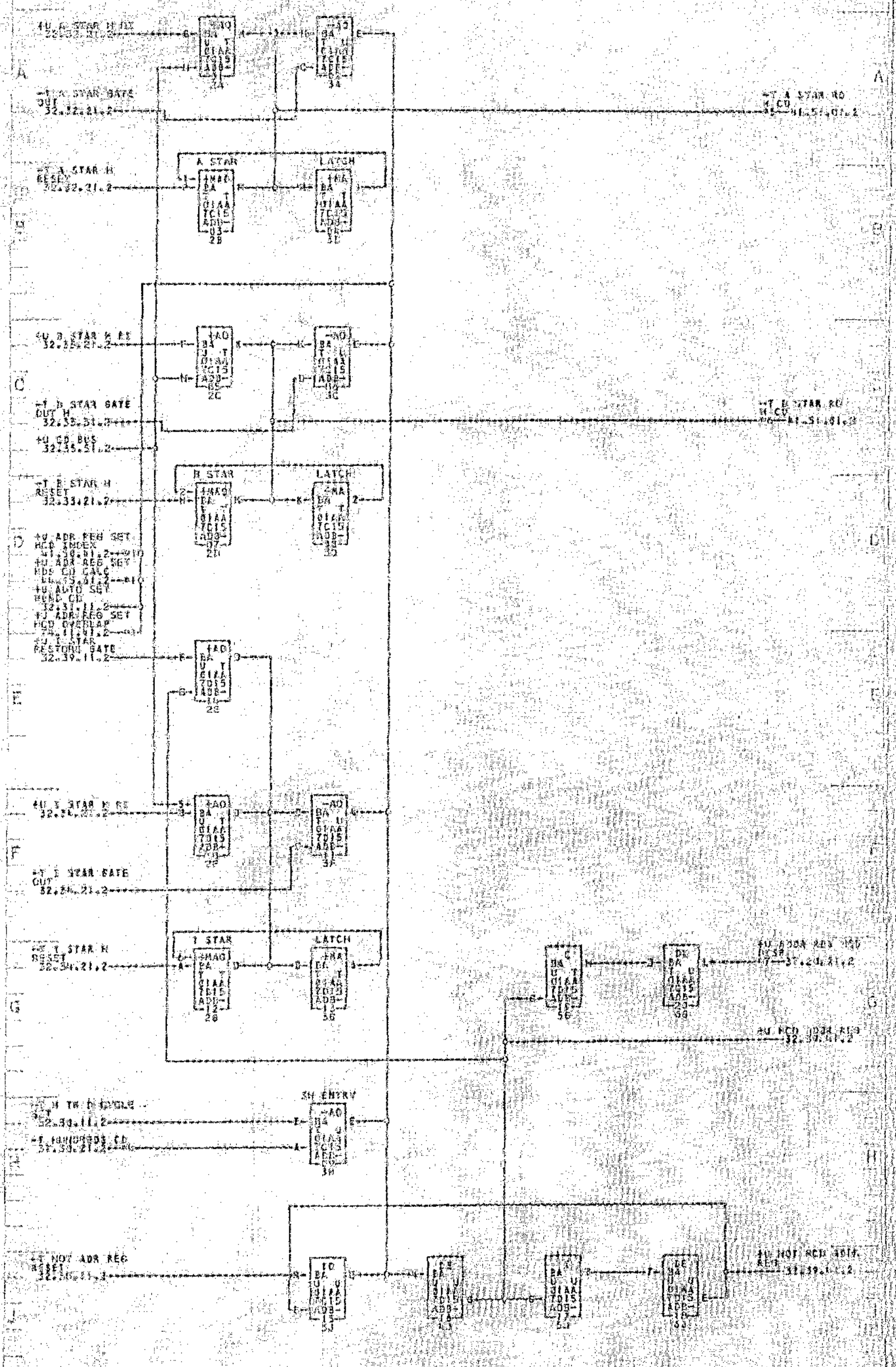
- #1 - 01A7A24R
- #2 - 01A7B20R
- #3 - 01A7C20R
- #4 - 01A7D24R
- #5 - 01A7E20R
- #6 - 01A7F20R
- #7 - 01A7G20R
- #8 - 01A7H24R
- #9 - 01A7I20R
- #10 - 01A7J20R
- #11 - 01A7K20R
- #12 - 01A7L20R
- #13 - 01A7M20R
- #14 - 01A7N20R
- #15 - 01A7O20R
- #16 - 01A7P20R
- #17 - 01A7Q20R
- #18 - 01A7R20R
- #19 - 01A7S20R
- #20 - 01A7T20R
- #21 - 01A7U20R
- #22 - 01A7V20R
- #23 - 01A7W20R
- #24 - 01A7X20R
- #25 - 01A7Y20R
- #26 - 01A7Z20R

NO.	DATE	E.C. NO.	TAB. DATE	E.C. NO.	TAB. DATE	E.C. NO.	TAB. DATE	E.C. NO.
1	10-31-63	010320N						

COMMENTS



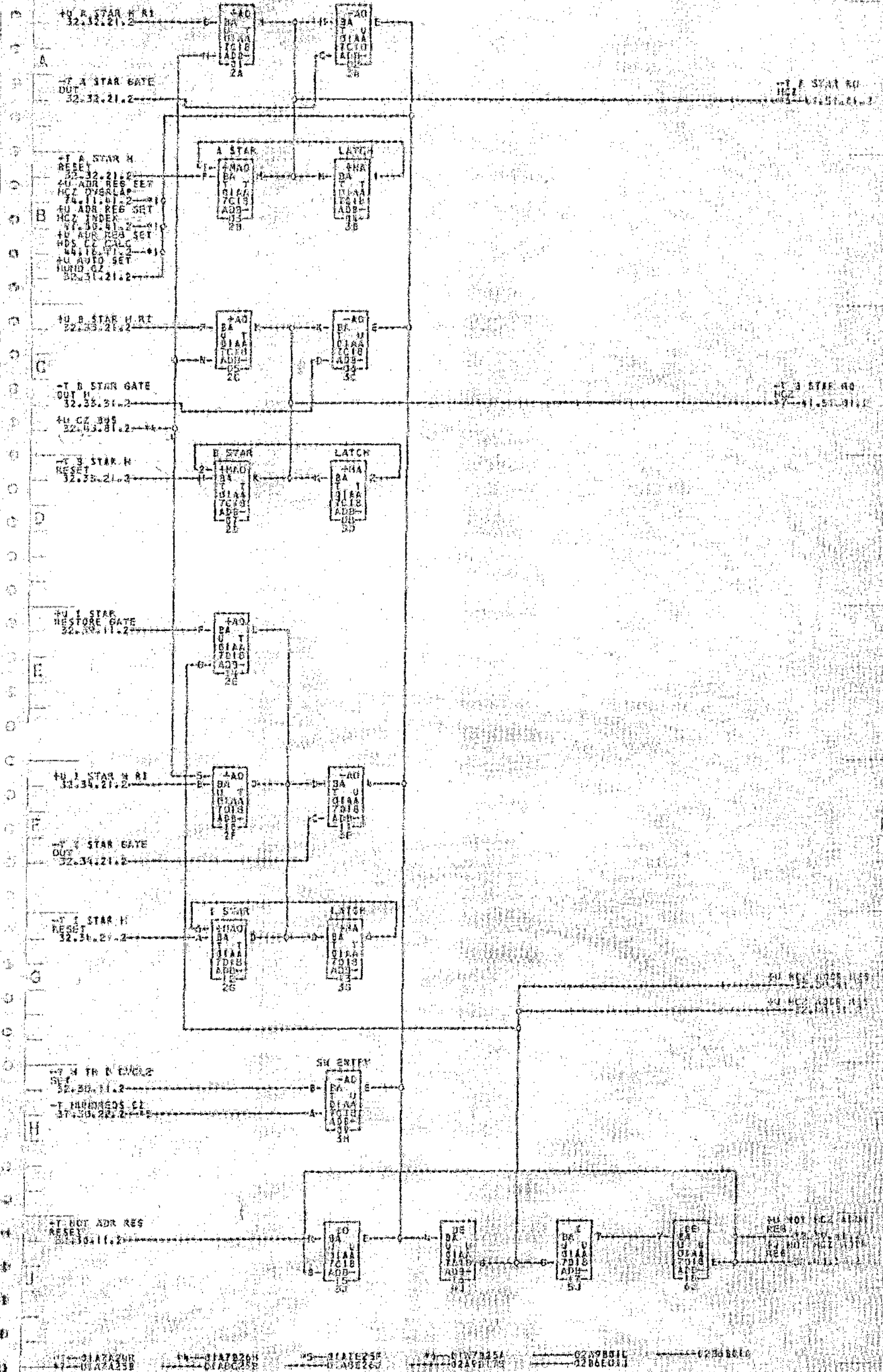
- 1-01A7248
- 1-01A7249
- 1-01A7250
- 1-01A7251
- 1-01A7252
- 1-01A7253
- 1-01A7254
- 1-01A7255
- 1-01A7256
- 1-01A7257
- 1-01A7258
- 1-01A7259
- 1-01A7260
- 1-01A7261
- 1-01A7262
- 1-01A7263
- 1-01A7264
- 1-01A7265
- 1-01A7266
- 1-01A7267
- 1-01A7268
- 1-01A7269
- 1-01A7270
- 1-01A7271
- 1-01A7272
- 1-01A7273
- 1-01A7274
- 1-01A7275
- 1-01A7276
- 1-01A7277
- 1-01A7278
- 1-01A7279
- 1-01A7280
- 1-01A7281
- 1-01A7282
- 1-01A7283
- 1-01A7284
- 1-01A7285
- 1-01A7286
- 1-01A7287
- 1-01A7288
- 1-01A7289
- 1-01A7290
- 1-01A7291
- 1-01A7292
- 1-01A7293
- 1-01A7294
- 1-01A7295
- 1-01A7296
- 1-01A7297
- 1-01A7298
- 1-01A7299
- 1-01A7300



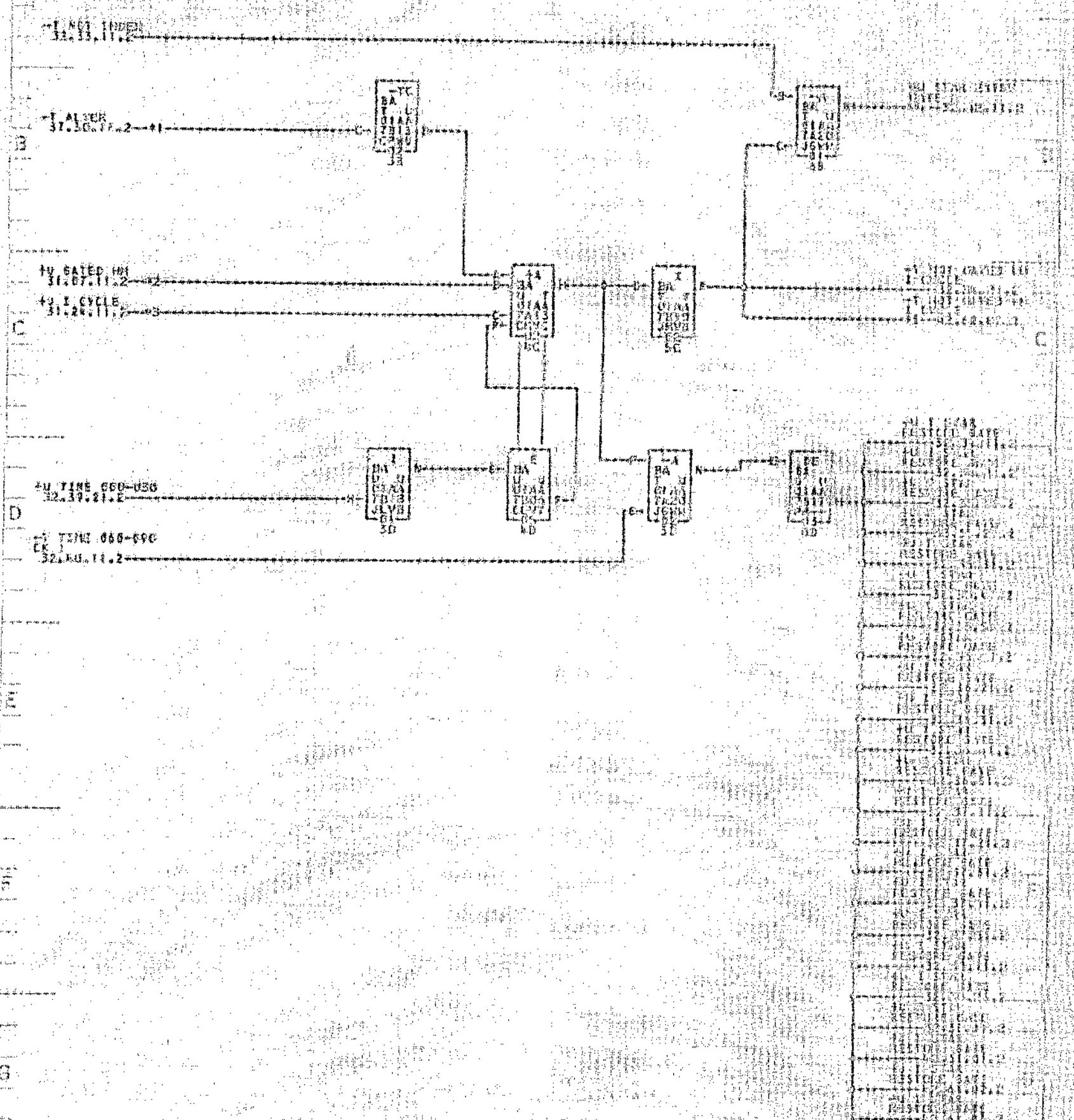
11--01A93370 0H--01A7E200 15--01A8P24N 02A8C05B 02B6DUIN 01A7D25P
 01A93370 02D6H00P 01A7C240 01A2AC10

COMMENTS THE DATE E.C. NO. THE DATE E.C. NO. THE DATE E.C. NO. THE DATE E.C. NO.

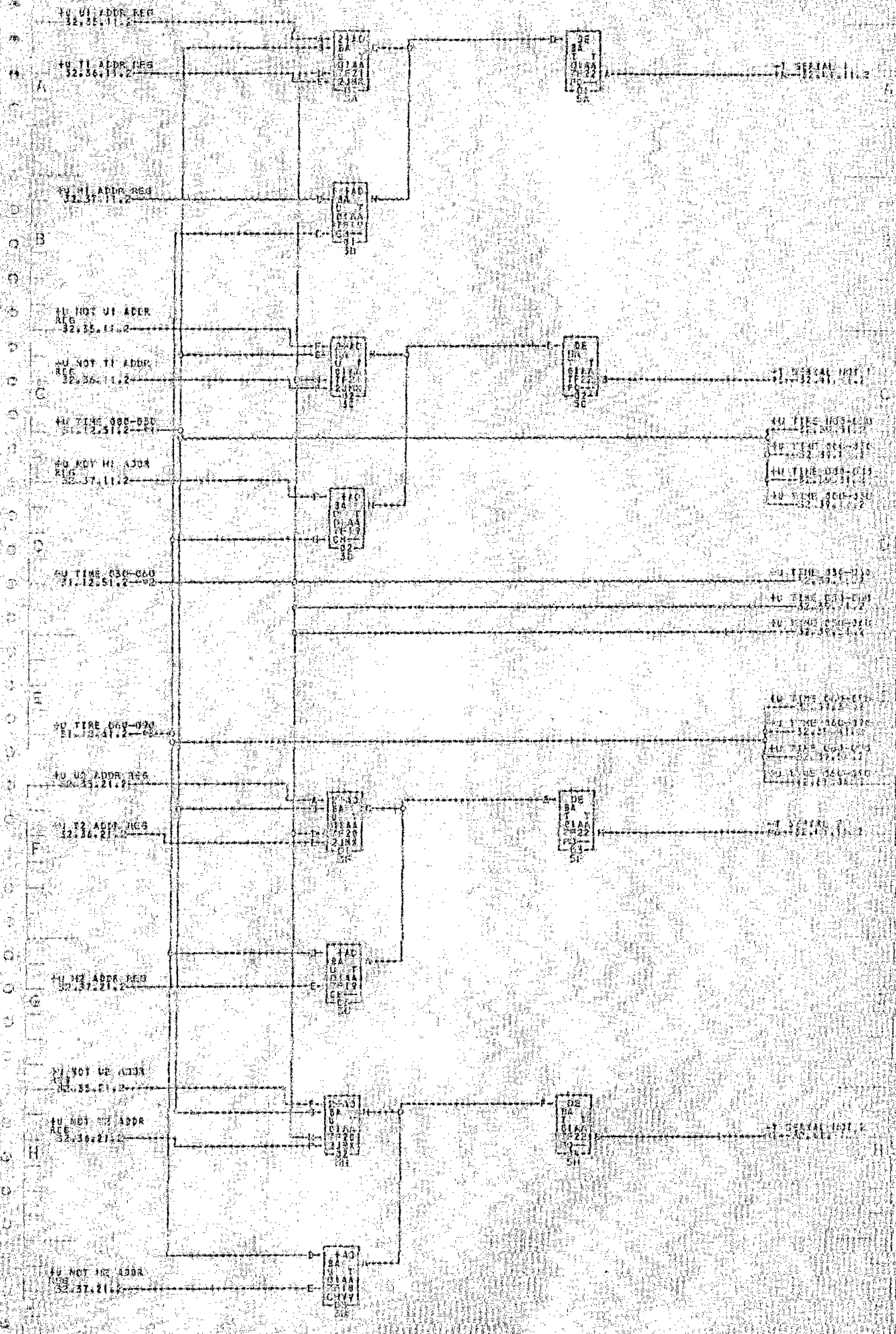
1-25-51-51 103201



34-01A7A20R 34-01A7A20H 35-01A7A25F 36-01A7A25A 37-01A7A25L 38-01A7A25L
 34-01A7A25B 34-01A7A25B 35-01A7A25F 36-01A7A25A 37-01A7A25L 38-01A7A25L



#1140178238 #1140178238 #1140178238 #1140178238 #1140178238



01--01A0201 02--01A7A55 03--01A7A201 04--01A7A200 05--01A0215C 06--01A7A251
 07--01A0250 08--01A7A250 09--01A0235C 10--01A7A250 11--01A0215C 12--01A0250

10 UCD ADDR RES
32-35-51-2

10 UCD ADDR RES
32-36-51-2

10 HCD ADDR RES
32-37-51-2

10 TIME 030-060
32-37-21-2

10 NOT UCD ADDR
RES
32-35-51-2

10 NOT UCD ADDR
RES
32-36-51-2

10 NOT HCD ADDR
RES
32-37-51-2

10 HCD ADDR RES
32-38-51-2

10 TIME 060-090
32-39-21-2

10 TIME 090-010
32-39-21-2

10 NOT ADDR RES
42-01-02-2

10 NOT HCD ADDR
RES
32-38-11-2

10 NOT HCD ADDR
RES
42-01-02-2

11-01A7828A
11-01A7826D

11-01A824A
11-01A824D

12-01A7F26B

13-01A824B

13-01A7F26C

11-01A824C

1	-1 PRINT REGR 16.31.51.2-41	-1 PRINT REGR 16.31.51.2-41
2	-1 NOT TH SCAN 30.31.41.2-42	-1 NOT TH SCAN 30.31.41.2-42
3	40 PLUS 3 CTRL MOD 36.31.71.2-43	40 PLUS 3 CTRL MOD 36.31.71.2-43
4	40 STAR ENDR 32.44.51.2-44	40 STAR ENDR 32.44.51.2-44
5	40 ADDN STOP COMB SYNC 32.45.51.2-45	40 ADDN STOP COMB SYNC 32.45.51.2-45
6	-1 TIME 075-105 31.12.41.2-46	-1 TIME 075-105 31.12.41.2-46
7	40 NOT SNG CYC NOU PROCESS 37.30.11.2-47	40 NOT SNG CYC NOU PROCESS 37.30.11.2-47
8	40 D REG NOT WM 35.10.61.2-48	40 D REG NOT WM 35.10.61.2-48
9	-1 51 COLUMN 36.16.11.2-49	-1 51 COLUMN 36.16.11.2-49
10	-1 TIME 000-030 31.17.12.2-50	-1 TIME 000-030 31.17.12.2-50
11	-1 TIME 000-000 31.12.21.2-51	-1 TIME 000-000 31.12.21.2-51
12	40 T-E CONTROL 31.05.21.2-52	40 T-E CONTROL 31.05.21.2-52
13	40 ING TURN OFF DELTA PROCESS 32.45.31.2-53	40 ING TURN OFF DELTA PROCESS 32.45.31.2-53

14	41-01A7220N	42-01A7220N	43-01A7220N	44-01A7220N	45-01A7220N	46-01A7220N	47-01A7220N	48-01A7220N	49-01A7220N	50-01A7220N
15	41-01A7220N	42-01A7220N	43-01A7220N	44-01A7220N	45-01A7220N	46-01A7220N	47-01A7220N	48-01A7220N	49-01A7220N	50-01A7220N

0
1
2
3
4
5
6
7
8
9
A
B
C
D
E
F
G
H
I
J
K
L
M
N
O
P
Q
R
S
T
U
V
W
X
Y
Z

-T SERIAL 1
32139.29.2

-T SERIAL 1
32139.29.2

-T SERIAL 2
32139.29.2

-T SERIAL 3
32139.29.2

-T SERIAL 4
32139.29.2

-T SERIAL 5
32139.29.2

-T SERIAL 6
32139.29.2

-T SERIAL 7
32139.29.2

-T SERIAL 8
32139.29.2

-T SERIAL 9
32139.29.2

-T SERIAL 10
32139.29.2

-T SERIAL 11
32139.29.2

-T SERIAL 12
32139.29.2

-T SERIAL 13
32139.29.2

-T SERIAL 14
32139.29.2

-T SERIAL 15
32139.29.2

-T SERIAL 16
32139.29.2

-T SERIAL 17
32139.29.2

-T SERIAL 18
32139.29.2

-T SERIAL 19
32139.29.2

-T SERIAL 20
32139.29.2

-T SERIAL 21
32139.29.2

-T SERIAL 22
32139.29.2

-T SERIAL 23
32139.29.2

-T SERIAL 24
32139.29.2

-T SERIAL 25
32139.29.2

-T SERIAL 26
32139.29.2

-T SERIAL 27
32139.29.2

-T SERIAL 28
32139.29.2

-T SERIAL 29
32139.29.2

-T SERIAL 30
32139.29.2

-T SERIAL 31
32139.29.2

-T SERIAL 32
32139.29.2

-T SERIAL 33
32139.29.2

-T SERIAL 34
32139.29.2

-T SERIAL 35
32139.29.2

-T SERIAL 36
32139.29.2

-T SERIAL 37
32139.29.2

-T SERIAL 38
32139.29.2

-T SERIAL 39
32139.29.2

-T SERIAL 40
32139.29.2

-T SERIAL 41
32139.29.2

-T SERIAL 42
32139.29.2

-T SERIAL 43
32139.29.2

-T SERIAL 44
32139.29.2

-T SERIAL 45
32139.29.2

-T SERIAL 46
32139.29.2

-T SERIAL 47
32139.29.2

-T SERIAL 48
32139.29.2

-T SERIAL 49
32139.29.2

-T SERIAL 50
32139.29.2

-T SERIAL NOT 1
32139.29.2

-T SERIAL NOT 1
32139.29.2

-T SERIAL NOT 2
32139.29.2

-T SERIAL NOT 3
32139.29.2

-T SERIAL NOT 4
32139.29.2

-T SERIAL NOT 5
32139.29.2

-T SERIAL NOT 6
32139.29.2

-T SERIAL NOT 7
32139.29.2

-T SERIAL NOT 8
32139.29.2

-T SERIAL NOT 9
32139.29.2

-T SERIAL NOT 10
32139.29.2

-T SERIAL NOT 11
32139.29.2

-T SERIAL NOT 12
32139.29.2

-T SERIAL NOT 13
32139.29.2

-T SERIAL NOT 14
32139.29.2

-T SERIAL NOT 15
32139.29.2

-T SERIAL NOT 16
32139.29.2

-T SERIAL NOT 17
32139.29.2

-T SERIAL NOT 18
32139.29.2

-T SERIAL NOT 19
32139.29.2

-T SERIAL NOT 20
32139.29.2

-T SERIAL NOT 21
32139.29.2

-T SERIAL NOT 22
32139.29.2

-T SERIAL NOT 23
32139.29.2

-T SERIAL NOT 24
32139.29.2

-T SERIAL NOT 25
32139.29.2

-T SERIAL NOT 26
32139.29.2

-T SERIAL NOT 27
32139.29.2

-T SERIAL NOT 28
32139.29.2

-T SERIAL NOT 29
32139.29.2

-T SERIAL NOT 30
32139.29.2

-T SERIAL NOT 31
32139.29.2

-T SERIAL NOT 32
32139.29.2

-T SERIAL NOT 33
32139.29.2

-T SERIAL NOT 34
32139.29.2

-T SERIAL NOT 35
32139.29.2

-T SERIAL NOT 36
32139.29.2

-T SERIAL NOT 37
32139.29.2

-T SERIAL NOT 38
32139.29.2

-T SERIAL NOT 39
32139.29.2

-T SERIAL NOT 40
32139.29.2

-T SERIAL 2
32139.29.2

-T SERIAL 1
32139.29.2

-T SERIAL 2
32139.29.2

-T SERIAL 3
32139.29.2

-T SERIAL 4
32139.29.2

-T SERIAL 5
32139.29.2

-T SERIAL 6
32139.29.2

-T SERIAL 7
32139.29.2

-T SERIAL 8
32139.29.2

-T SERIAL 9
32139.29.2

-T SERIAL 10
32139.29.2

-T SERIAL 11
32139.29.2

-T SERIAL 12
32139.29.2

-T SERIAL 13
32139.29.2

-T SERIAL 14
32139.29.2

-T SERIAL 15
32139.29.2

-T SERIAL 16
32139.29.2

-T SERIAL 17
32139.29.2

-T SERIAL 18
32139.29.2

-T SERIAL 19
32139.29.2

-T SERIAL 20
32139.29.2

-T SERIAL 21
32139.29.2

-T SERIAL 22
32139.29.2

-T SERIAL 23
32139.29.2

-T SERIAL 24
32139.29.2

-T SERIAL 25
32139.29.2

-T SERIAL 26
32139.29.2

-T SERIAL 27
32139.29.2

-T SERIAL 28
32139.29.2

-T SERIAL 29
32139.29.2

-T SERIAL 30
32139.29.2

-T SERIAL NOT 2
32139.29.2

-T SERIAL NOT 1
32139.29.2

-T SERIAL NOT 2
32139.29.2

-T SERIAL NOT 3
32139.29.2

-T SERIAL NOT 4
32139.29.2

-T SERIAL NOT 5
32139.29.2

-T SERIAL NOT 6
32139.29.2

-T SERIAL NOT 7
32139.29.2

-T SERIAL NOT 8
32139.29.2

-T SERIAL NOT 9
32139.29.2

-T SERIAL NOT 10
32139.29.2

-T SERIAL NOT 11
32139.29.2

-T SERIAL NOT 12
32139.29.2

-T SERIAL NOT 13
32139.29.2

-T SERIAL NOT 14
32139.29.2

-T SERIAL NOT 15
32139.29.2

-T SERIAL NOT 16
32139.29.2

-T SERIAL NOT 17
32139.29.2

-T SERIAL NOT 18
32139.29.2

-T SERIAL NOT 19
32139.29.2

-T SERIAL NOT 20
32139.29.2

*1--0110C25G

*2--0110C25D

*3--0110C25E

*4--0110C25F

COMMENTS

1052DR

1052DR

1052DR

1052DR

1052DR

1052DR

1052DR

A -T SERIAL B
32-39-31-2

- T SERIAL B 32-43-21-2
- T SERIAL B 32-43-21-2
- T SERIAL B 32-43-31-2
- T SERIAL B 32-43-41-2
- T SERIAL B 32-43-51-2
- T SERIAL B 32-43-61-2
- T SERIAL B 32-43-71-2
- T SERIAL B 32-43-81-2
- T SERIAL B 32-43-91-2
- T SERIAL B 32-44-01-2
- T SERIAL B 32-44-11-2
- T SERIAL B 32-44-21-2
- T SERIAL B 32-44-31-2

B

C -T SERIAL NOT B
32-39-31-2

- T SERIAL NOT B 32-43-21-2
- T SERIAL NOT B 32-43-31-2
- T SERIAL NOT B 32-43-41-2
- T SERIAL NOT B 32-43-51-2
- T SERIAL NOT B 32-43-61-2

D

E -T SERIAL B
32-39-31-2

- T SERIAL B 32-43-01-2
- T SERIAL B 32-43-11-2
- T SERIAL B 32-43-21-2
- T SERIAL B 32-43-31-2
- T SERIAL B 32-43-41-2
- T SERIAL B 32-43-51-2
- T SERIAL B 32-43-61-2
- T SERIAL B 32-43-71-2
- T SERIAL B 32-43-81-2
- T SERIAL B 32-43-91-2
- T SERIAL B 32-44-01-2
- T SERIAL B 32-44-11-2
- T SERIAL B 32-44-21-2
- T SERIAL B 32-44-31-2
- T SERIAL B 32-44-41-2
- T SERIAL B 32-44-51-2
- T SERIAL B 32-44-61-2
- T SERIAL B 32-44-71-2
- T SERIAL B 32-44-81-2
- T SERIAL B 32-44-91-2

F

G -T SERIAL NOT B
32-39-31-2

- T SERIAL NOT B 32-43-21-2
- T SERIAL NOT B 32-43-31-2
- T SERIAL NOT B 32-43-41-2
- T SERIAL NOT B 32-43-51-2
- T SERIAL NOT B 32-43-61-2
- T SERIAL NOT B 32-43-71-2
- T SERIAL NOT B 32-43-81-2
- T SERIAL NOT B 32-43-91-2
- T SERIAL NOT B 32-44-01-2
- T SERIAL NOT B 32-44-11-2
- T SERIAL NOT B 32-44-21-2
- T SERIAL NOT B 32-44-31-2
- T SERIAL NOT B 32-44-41-2
- T SERIAL NOT B 32-44-51-2
- T SERIAL NOT B 32-44-61-2
- T SERIAL NOT B 32-44-71-2
- T SERIAL NOT B 32-44-81-2
- T SERIAL NOT B 32-44-91-2

H

01ABC258

02-01ABC258

03-01ABC258

04-01ABC258

A

A

-T SERIAL CD
32.43.31.2

-T SERIAL CD
32.43.31.2

-T SERIAL CD
32.43.31.2

-T SERIAL CD
32.43.31.2

-T SERIAL CD
32.43.31.2

-T SERIAL CD
32.43.31.2

B

B

C

C

-T SERIAL NOT
CD
32.43.31.2

-T SERIAL NOT
CD
32.43.31.2

-T SERIAL NOT
CD
32.43.31.2

-T SERIAL NOT
CD
32.43.31.2

-T SERIAL NOT
CD
32.43.31.2

D

D

E

E

-T SERIAL MCZ
32.43.31.2

-T SERIAL MCZ
32.43.31.2

-T SERIAL MCZ
32.43.31.2

-T SERIAL MCZ
32.43.31.2

G

G

H

H

-T SERIAL NOT
MCZ
32.43.31.2

-T SERIAL NOT
MCZ
32.43.31.2

-T SERIAL NOT
MCZ
32.43.31.2

01--01A022A 02--01A022B 03--01A022C 04--01A022D

A

A

-T SERIAL HA
32.39.51.2 #1

- T SERIAL HA
42.62.01.2
- T SERIAL HA
42.62.02.2
- T SERIAL HA
32.44.31.2
- T SERIAL HA
32.43.21.2
- T SERIAL HA
32.44.31.2
- T SERIAL HA
32.43.51.2
- T SERIAL HA
42.62.03.2
- T SERIAL HA
32.43.81.2

B

B

-T SERIAL NDT
HB
32.39.51.2 #2

- T SERIAL NDT
HA
42.62.01.2
- T SERIAL NDT
HA
32.44.31.2
- T SERIAL NDT
HA
32.44.41.2
- T SERIAL NDT
HA
32.43.51.2
- T SERIAL NDT
HA
32.45.21.2
- T SERIAL NDT
HA
42.62.03.2
- T SERIAL NDT
HA
42.62.03.2

D

D

-T SERIAL HB
32.39.51.2 #3

- T SERIAL HB
42.62.01.2
- T SERIAL HB
42.62.02.2
- T SERIAL HB
32.44.31.2
- T SERIAL HB
32.44.41.2
- T SERIAL HB
32.43.21.2
- T SERIAL HB
32.43.81.2
- T SERIAL HB
42.62.03.2

F

F

-T SERIAL NOT
HB
32.39.51.2 #4

- T SERIAL NOT
HB
42.62.01.2
- T SERIAL NOT
HB
32.44.31.2
- T SERIAL NOT
HB
32.44.41.2
- T SERIAL NOT
HB
32.43.21.2
- T SERIAL NOT
HB
32.43.81.2
- T SERIAL NOT
HB
42.62.03.2
- T SERIAL NOT
HB
42.62.03.2

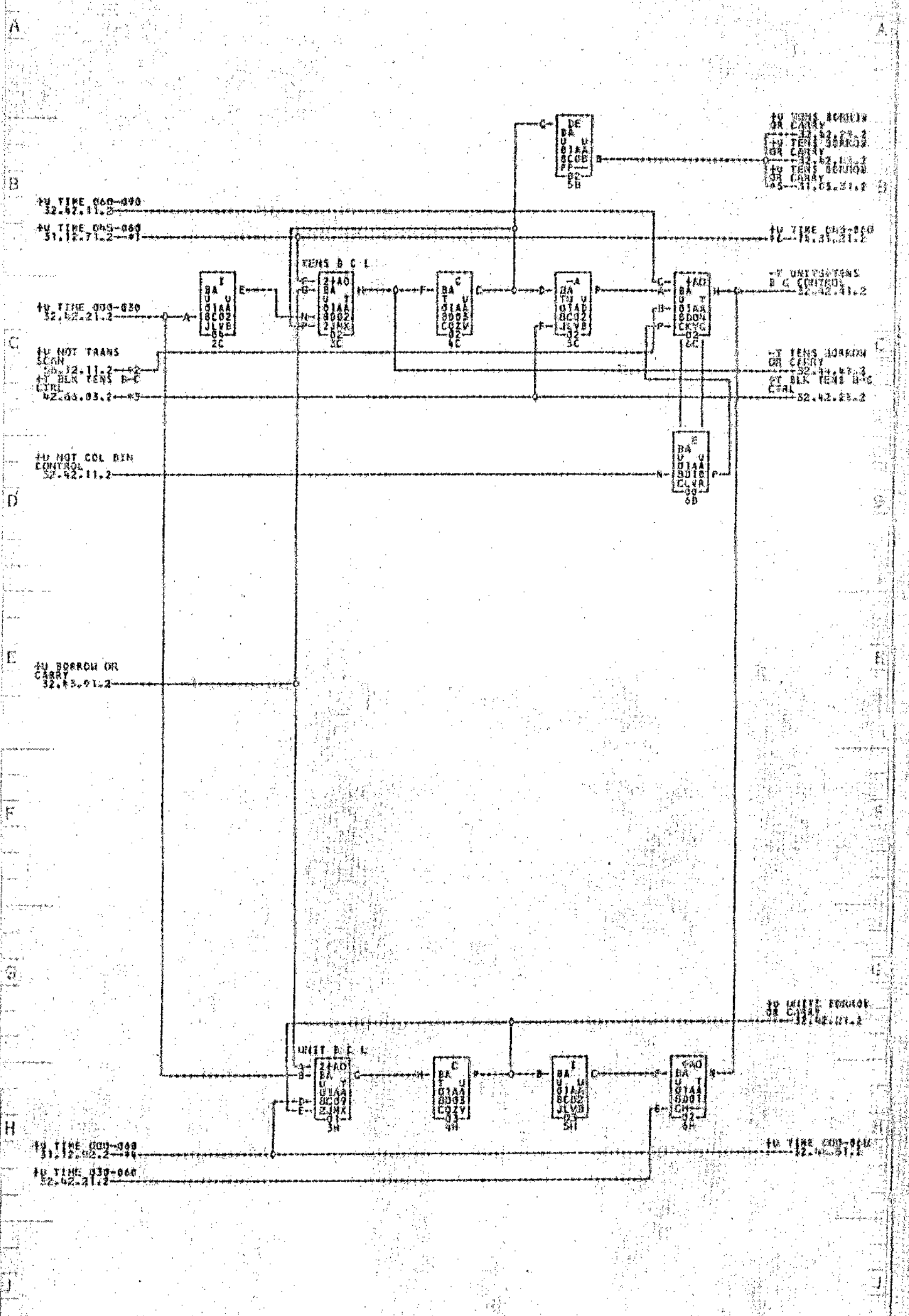
H

H

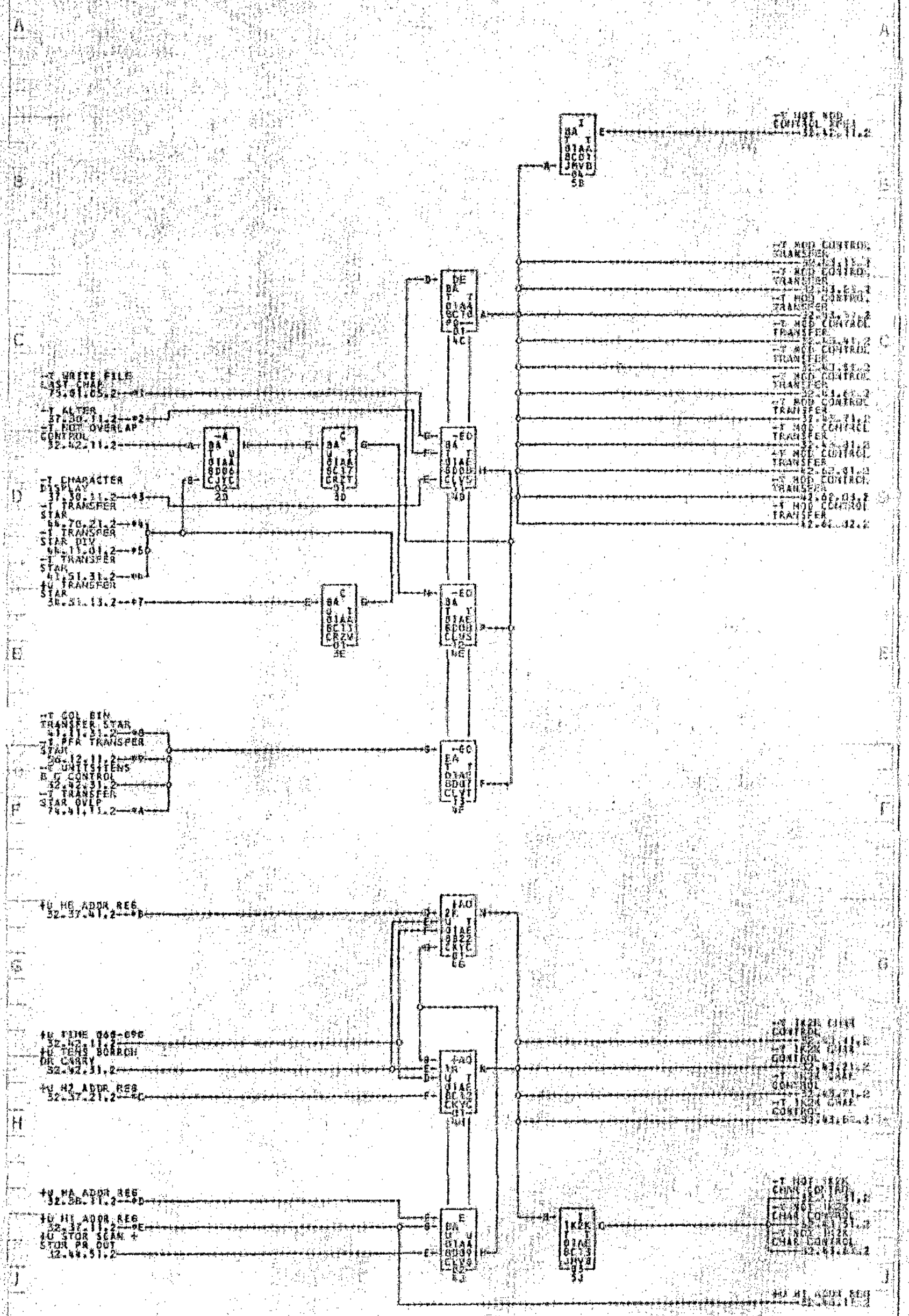
#1--01A8B26E #2--01A8B26E #3--01A8B26E #4--01A8B26E

COMMENTS

TAG	DATE	COND.	TAG	DATE	COND.	TAG	DATE	COND.	TAG	DATE	COND.
A	05-27-61	1103208	B	07-11-61	1103241	C	11-03-61	112250			



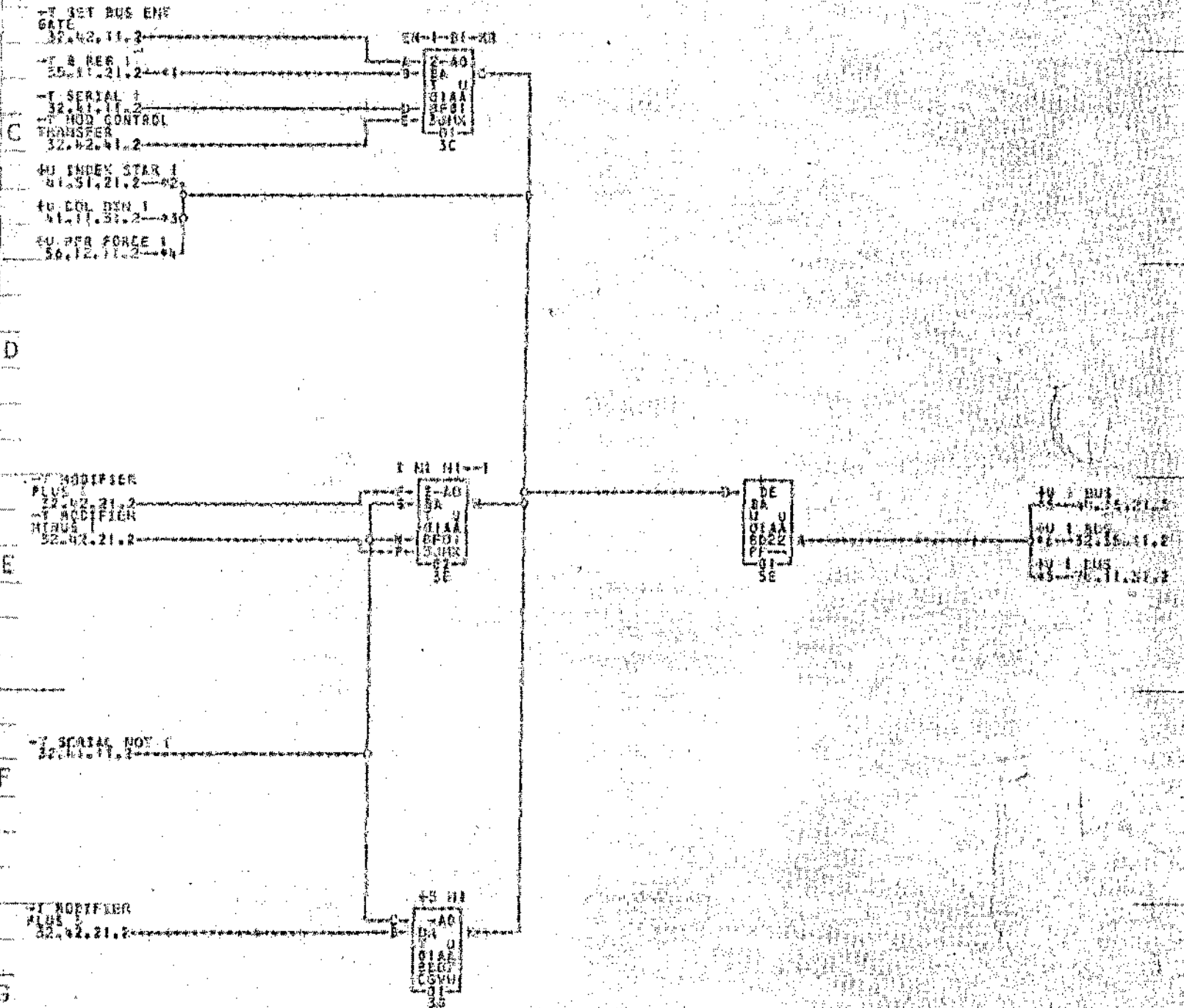
01--01A8238 01B2814
 02--01A823J 02B285J
 03--0687A15A
 04--01A8254
 05--01A825A
 06--01A826A



- #1--01AB024P
- #2--01AB024B
- #3--01AB024E
- #4--01AB024F
- #5--01AB024K
- #6--01AB024P
- #7--01AB024S
- #8--01AB024E
- #9--01AB024E

COMMENTS

DATE: 11-11-51
 TIME: 11:30 AM
 BY: [Signature]
 CHECKED: [Signature]



- *1--01ABF26F
- *2--01ABF26A
- *3--01ABF26B
- *4--01ABF26C
- *5--01ABF26F
- *6--01ABF26A

COMMENTS

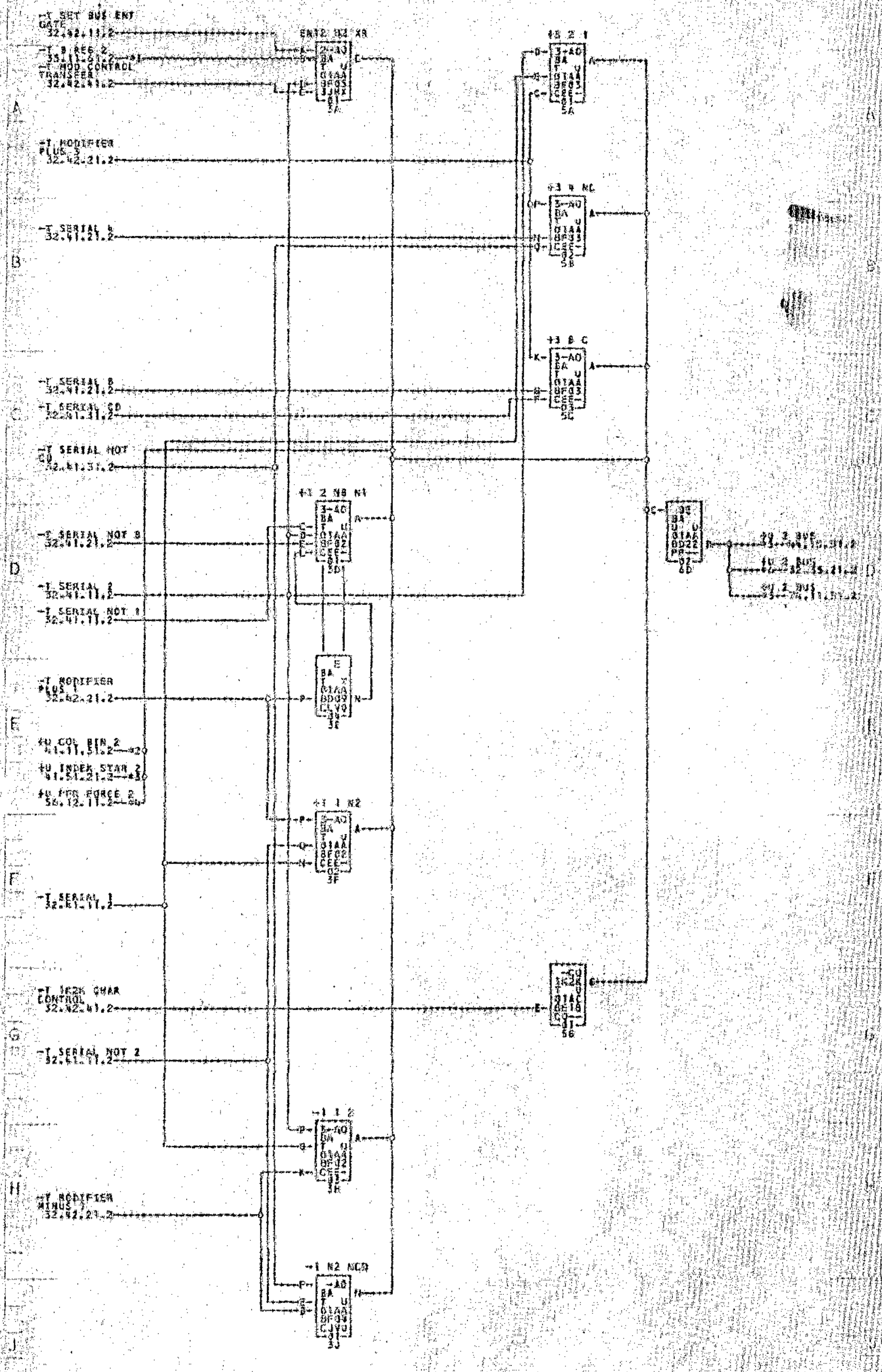
TAG DATE G.C.NO. TAG DATE G.C.NO. TAG DATE G.C.NO.

1103206

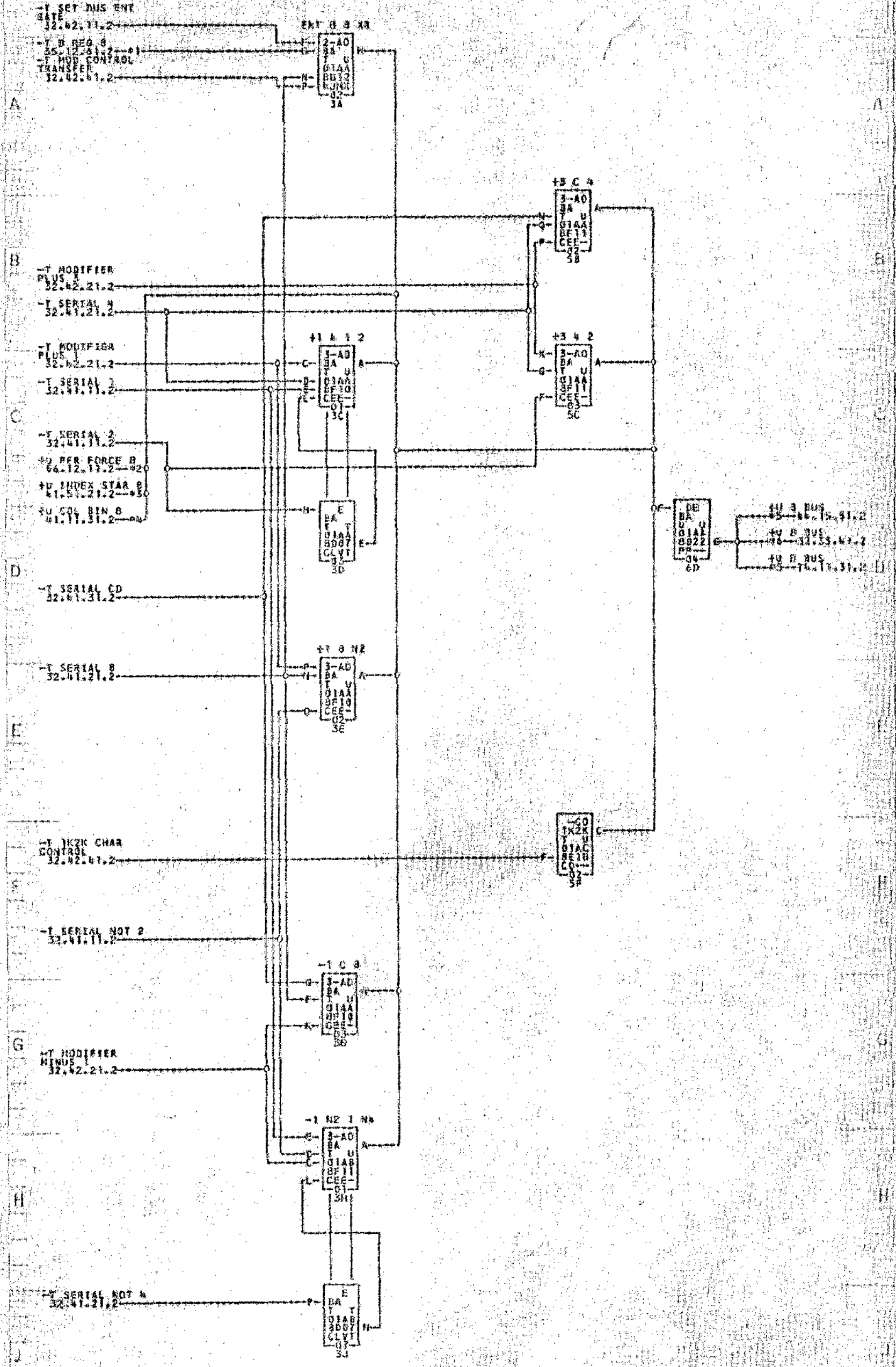
1103206

1103206

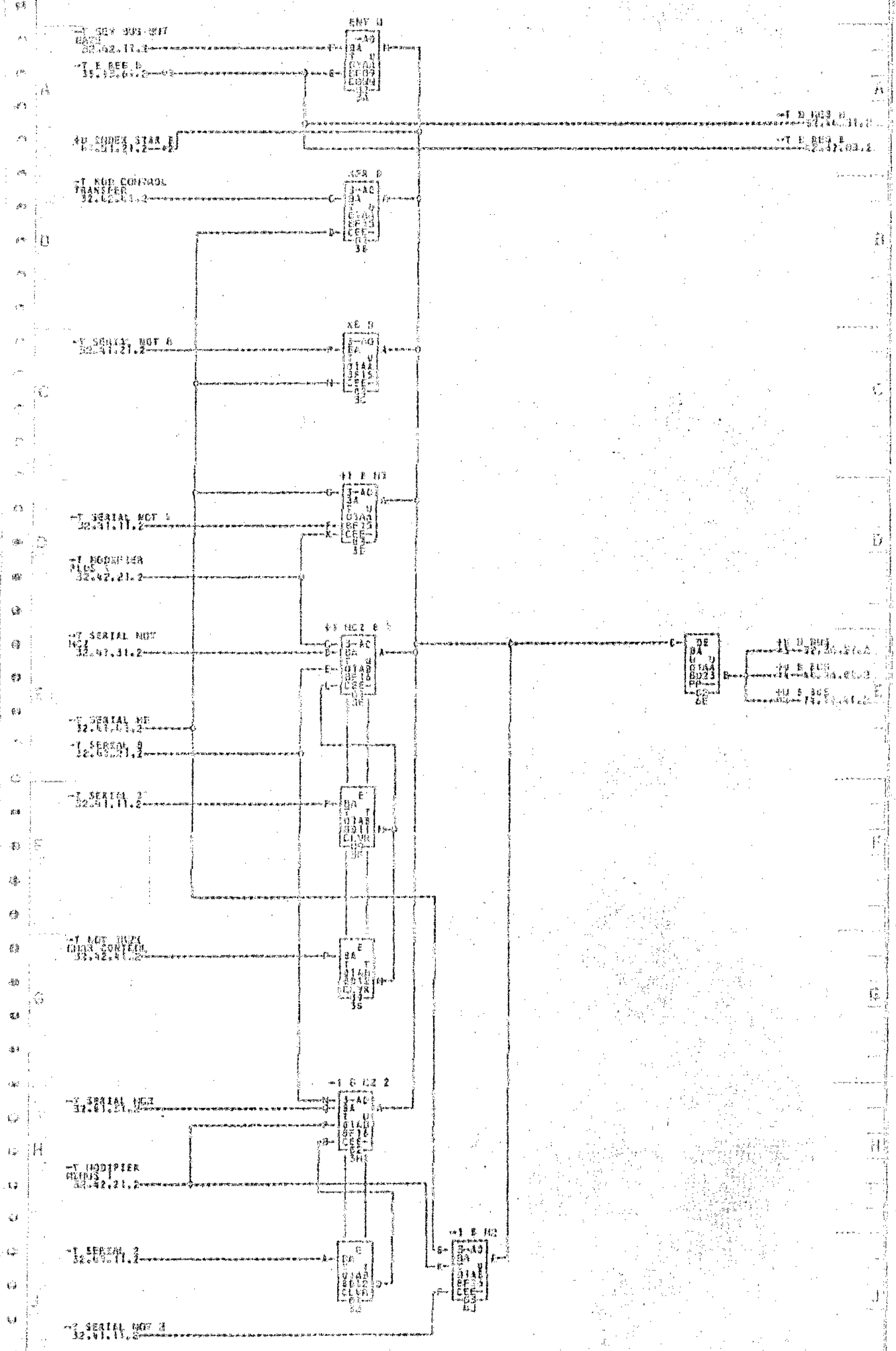
1103206



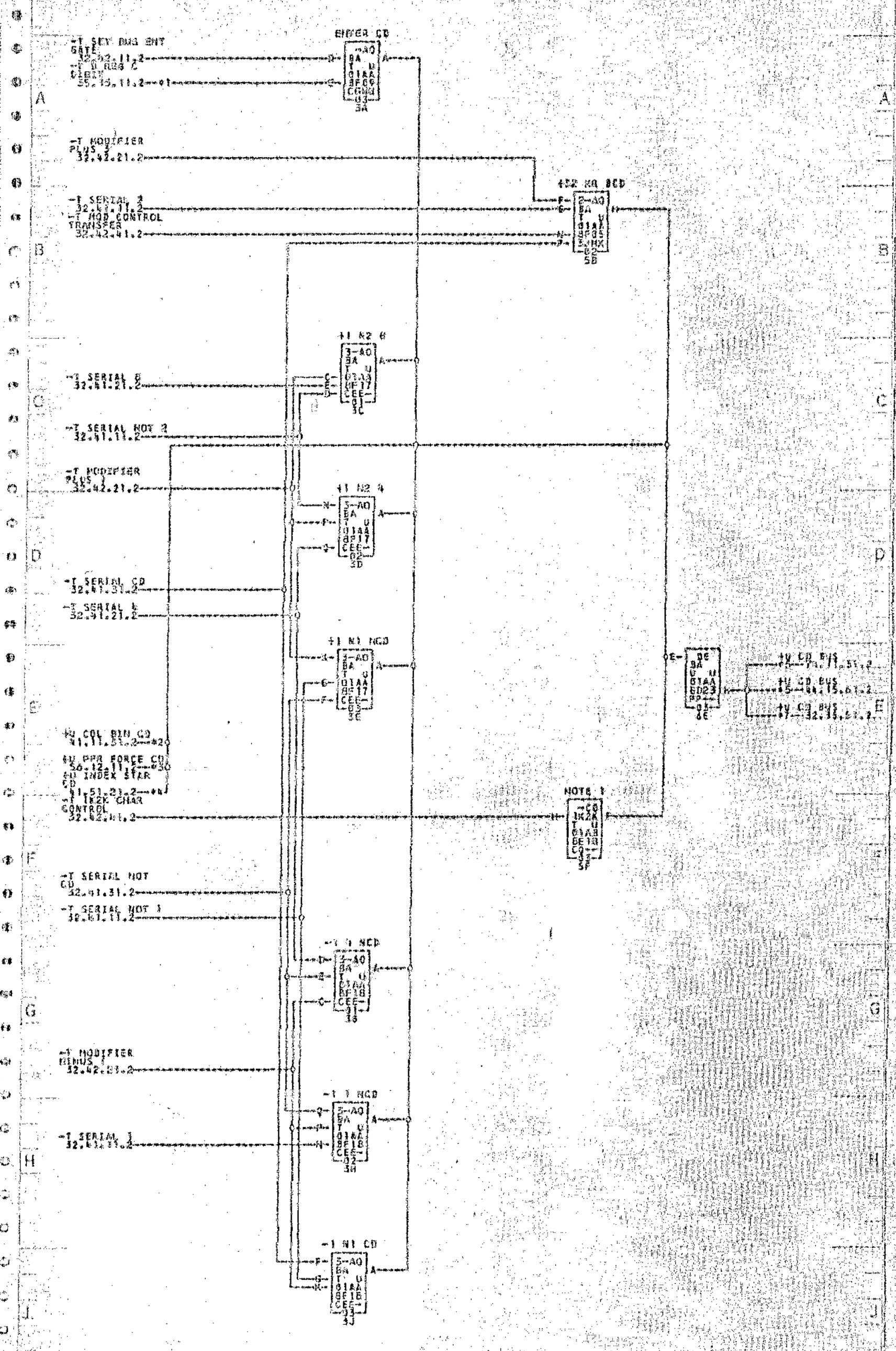
- *1-- 01A0028B
- *2-- 01A0028E
- *3-- 01A0538B
- *4-- 01A0538A
- *5-- 01A0524E
- *6-- 02A0003A



- *1-01A0240
- *2-01A0242
- *3-01A0242
- *4-01A0242
- *5-01A0242
- *6-01A0242
- *7-01A0242



01-01A8E24F 02-01A8E24G 03-01A8E24H 04-01A8E24I 05-01A8E24J 06-01A8E24K 07-01A8E24L

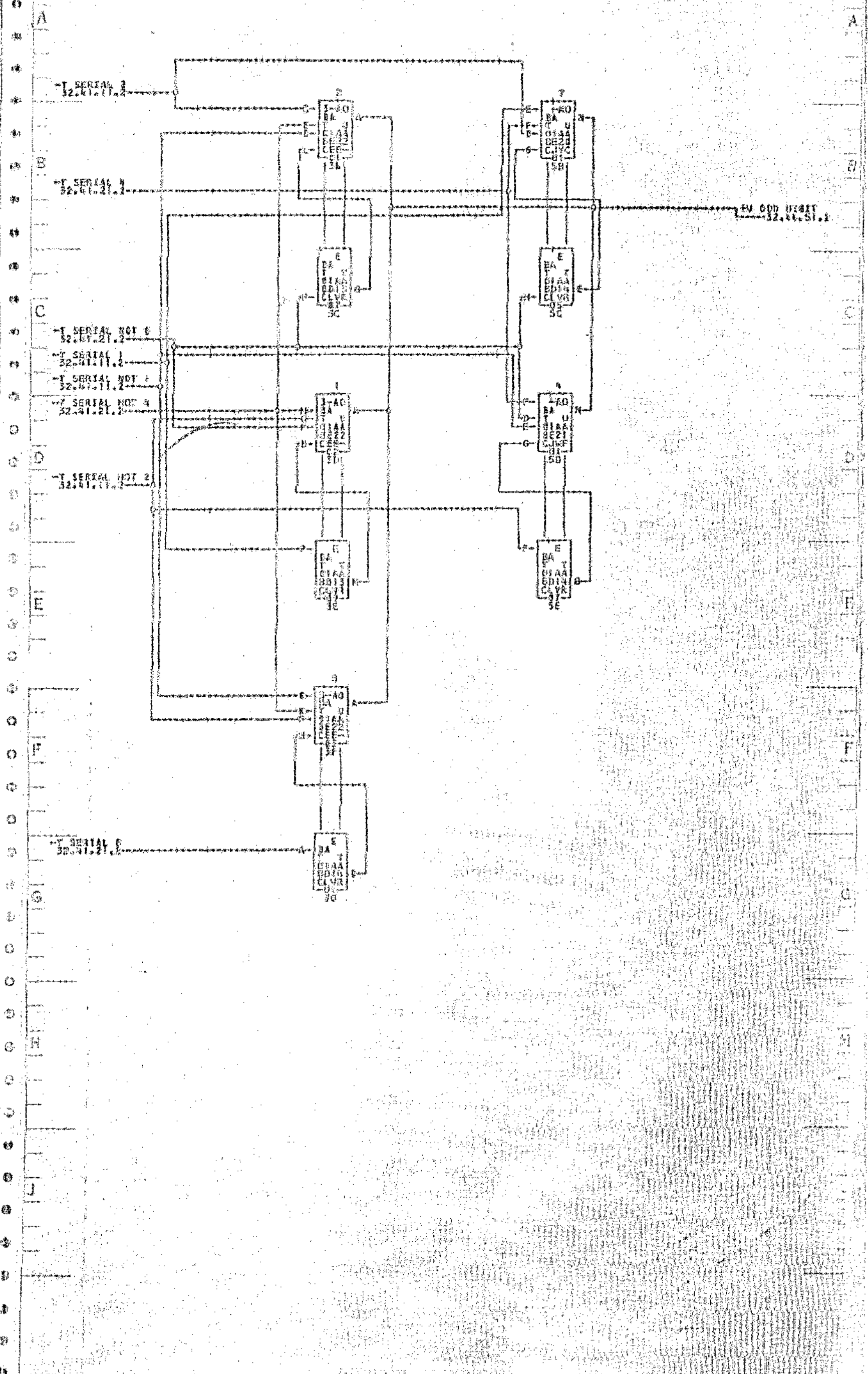


- 01--01A0F28E #2--01A0U19H #3--01A0E24E #4--01A0E109 #5--01A0F209 #6--01A0C17A
- 02--02A7B36A 02B1A92A 07--01A0D25E 01A7B26E

NOTE 1 ADD FOR COMMENTS

TAG DATE E.C. NO TAG DATE E.C. NO TAG DATE E.C. NO TAG DATE E.C. NO

IBM



0723725

MODIFIER EVEN DIGIT GENERATOR

16-31 BA

52,64,81,82

A

B

C

D

E

F

G

H

J

-T SERIAL 8
32.47.21.2

-T SERIAL NOT 4
32.47.17.2

-T SERIAL NOT 2
32.47.17.2

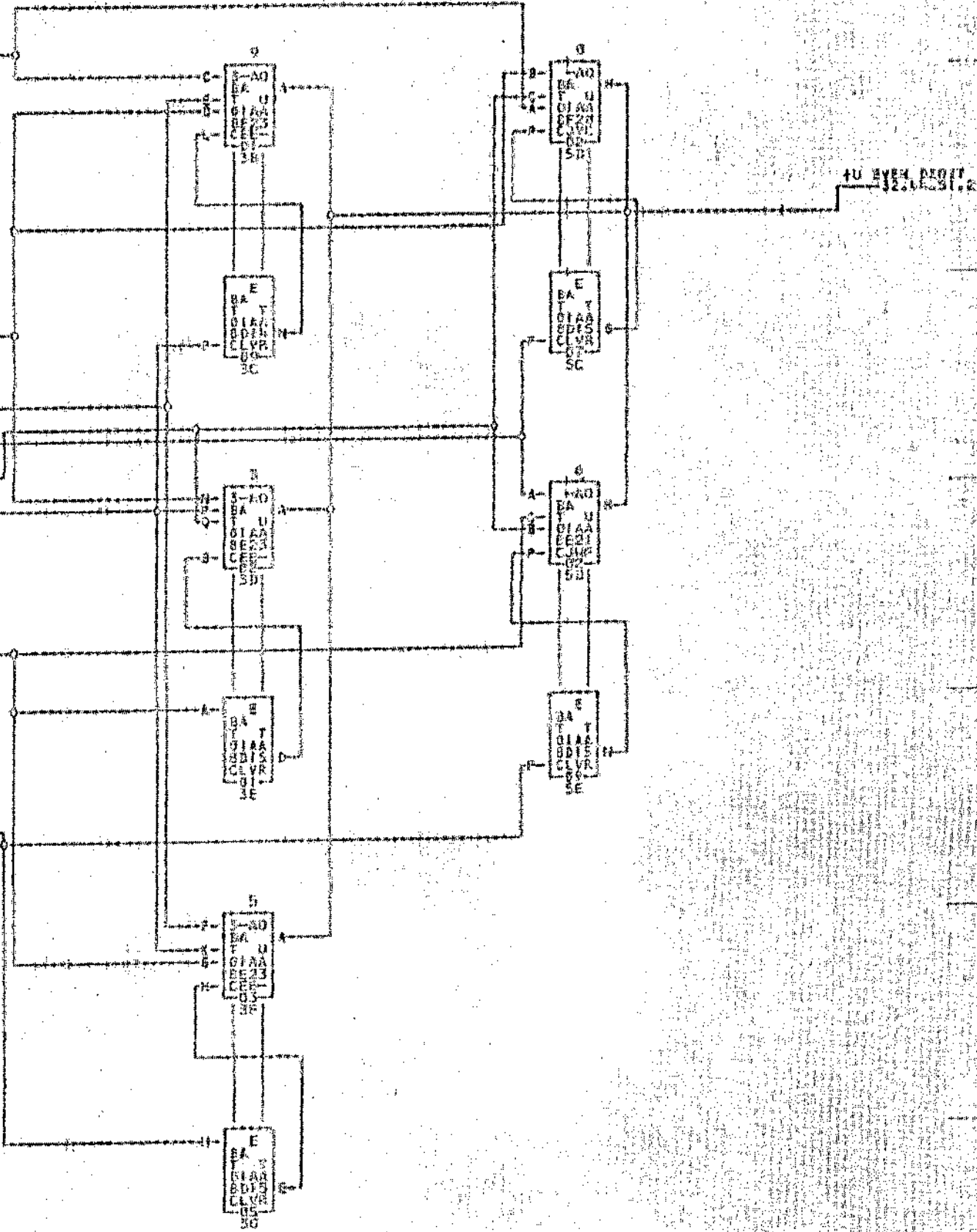
-T SERIAL NOT 1
32.47.17.2

-T SERIAL 3
32.47.17.2

-T SERIAL 1
32.47.17.2

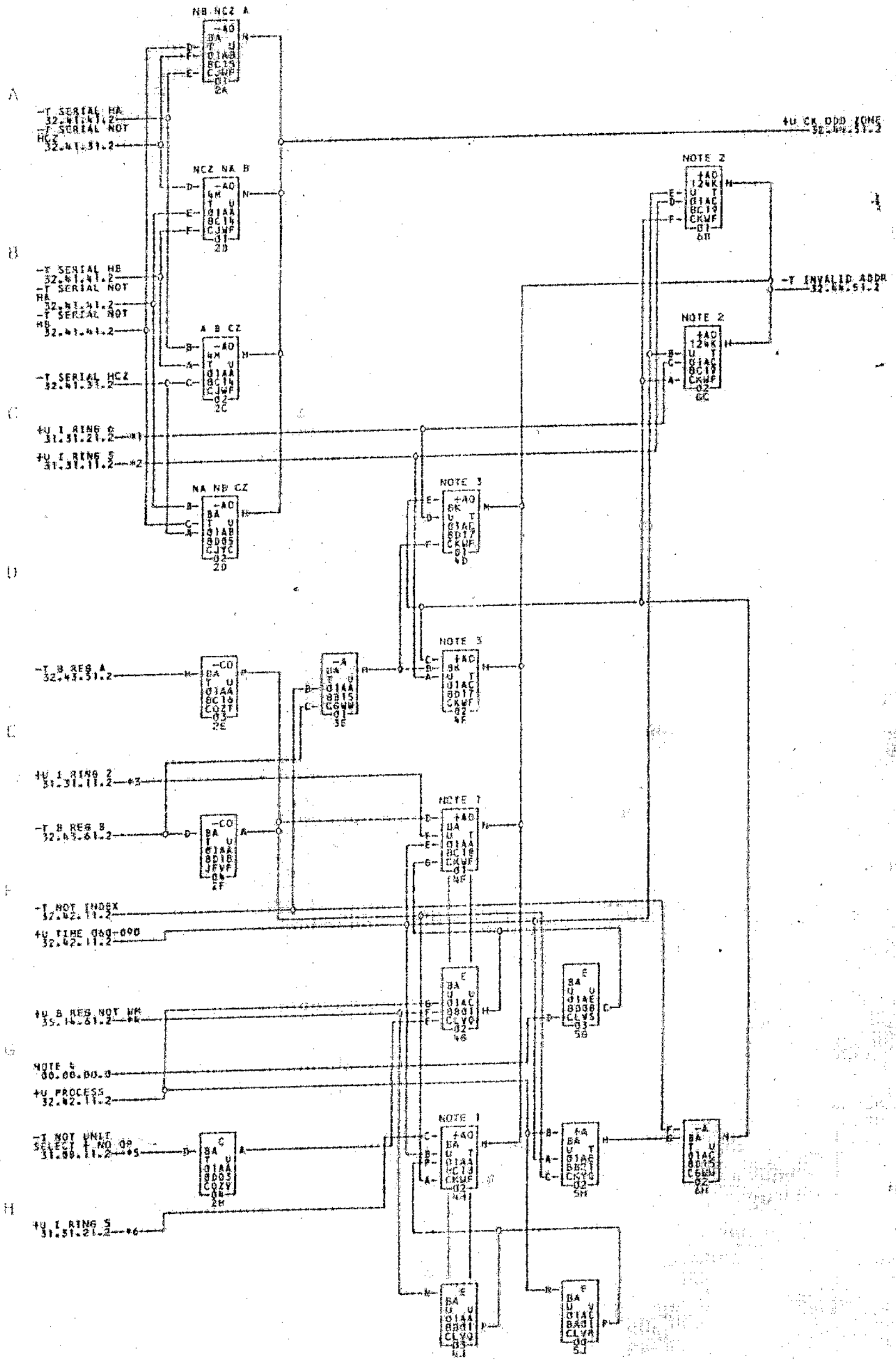
-T SERIAL NOT 6
32.47.21.2

-T SERIAL 5
32.47.21.2



COMMENTS

TAB	DATE	E.C.NO.	TAB	DATE	E.C.NO.	TAB	DATE	E.C.NO.
1	05-27-64	1183200						



*1-01A8026A

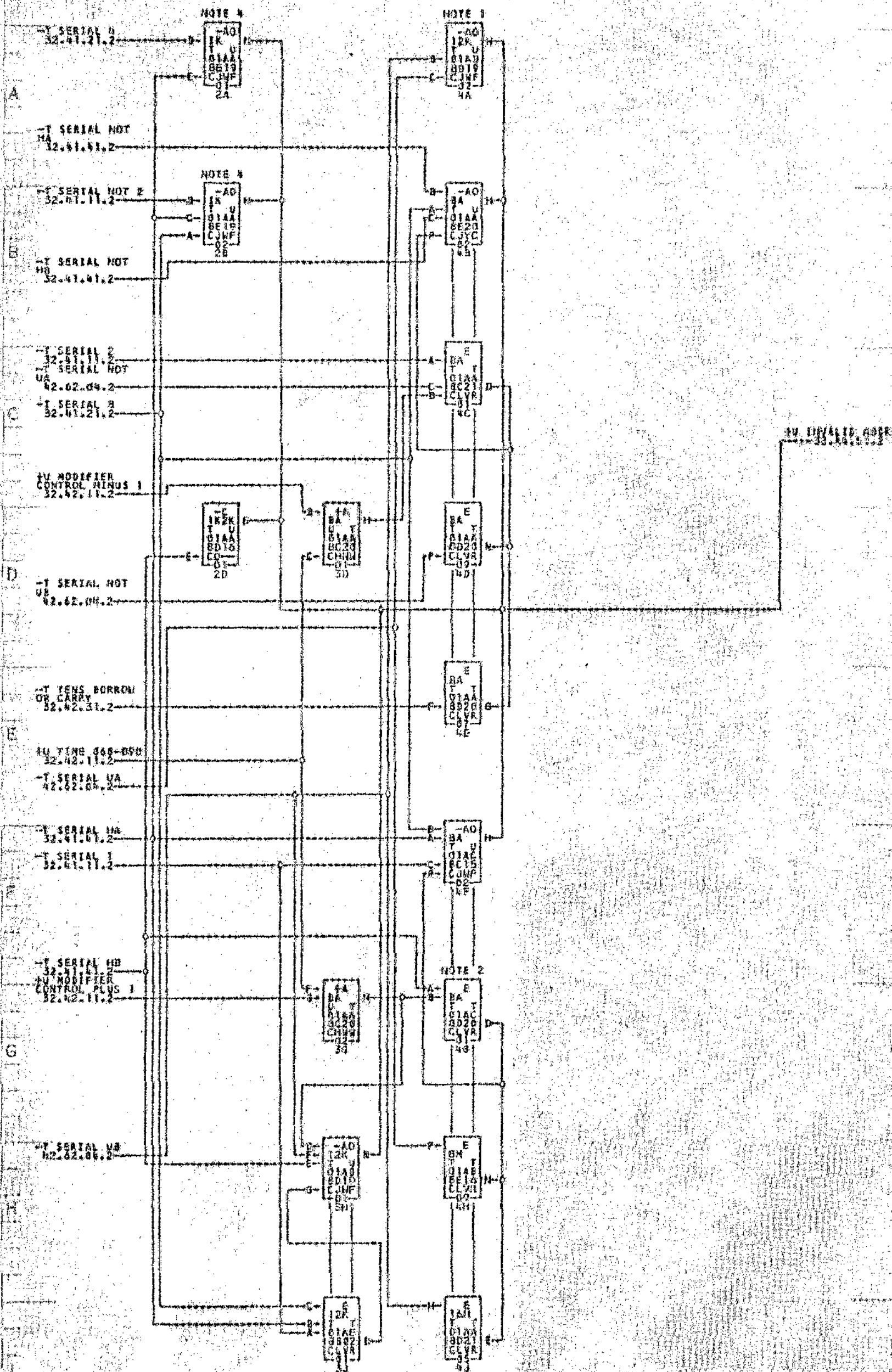
*2-01A8026B

*3-01A8026C

*4-01A8026D

*5-01A8026E

*6-01A8026F



COMMENTS
 NOTE 1 ADD FOR 12 ONLY
 NOTE 2 12K TIED TO 120L ON 12K MACHINE
 NOTE 3 12K CARD FOR 1K ONLY

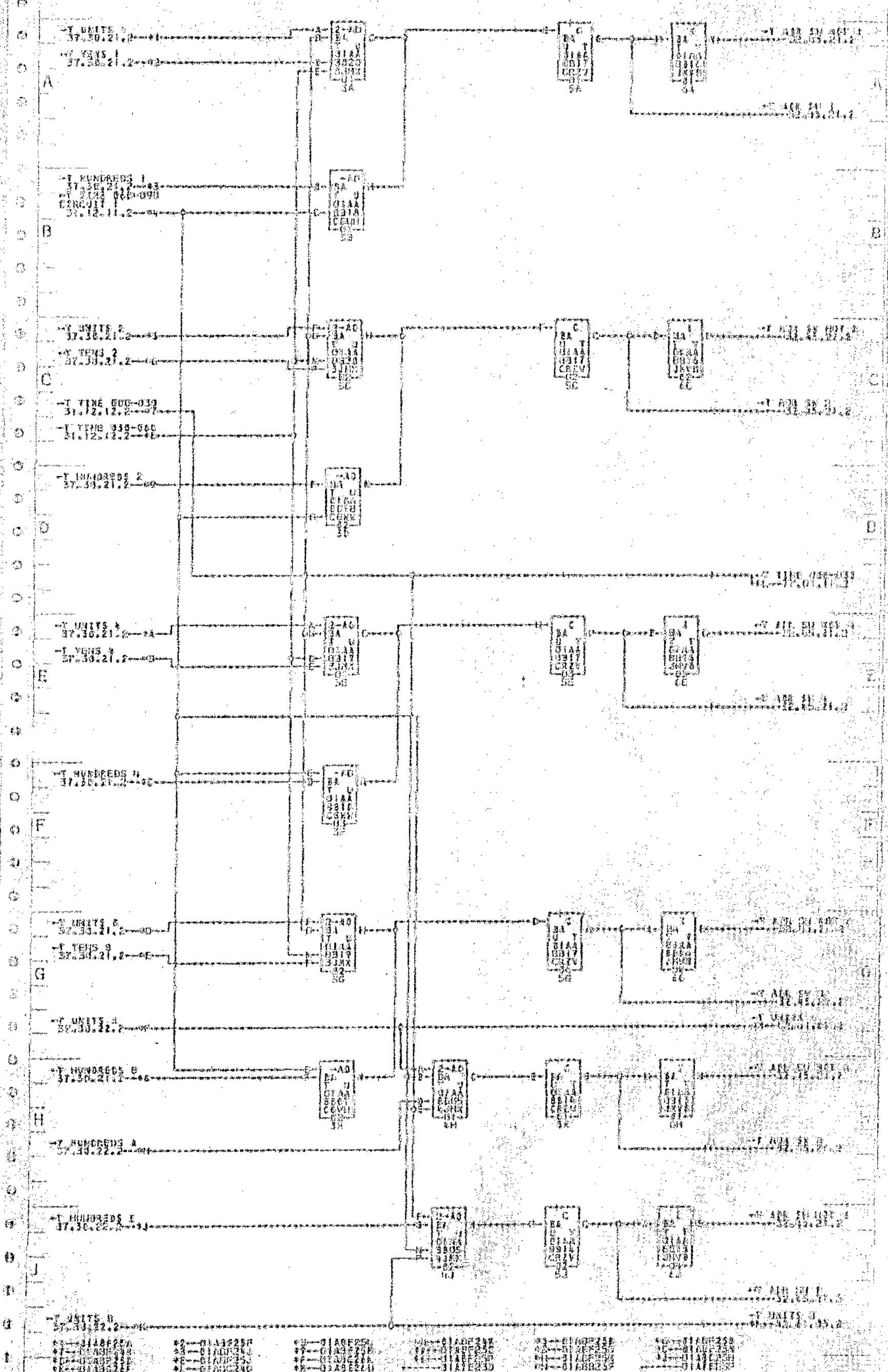
TAG DATE TAG NO. TAG DATE TAG NO. TAG DATE TAG NO. TAG DATE TAG NO.
 11-81-61 113228 07-31-61 113228 08-16-61 113228 10-20-61 113228

372722

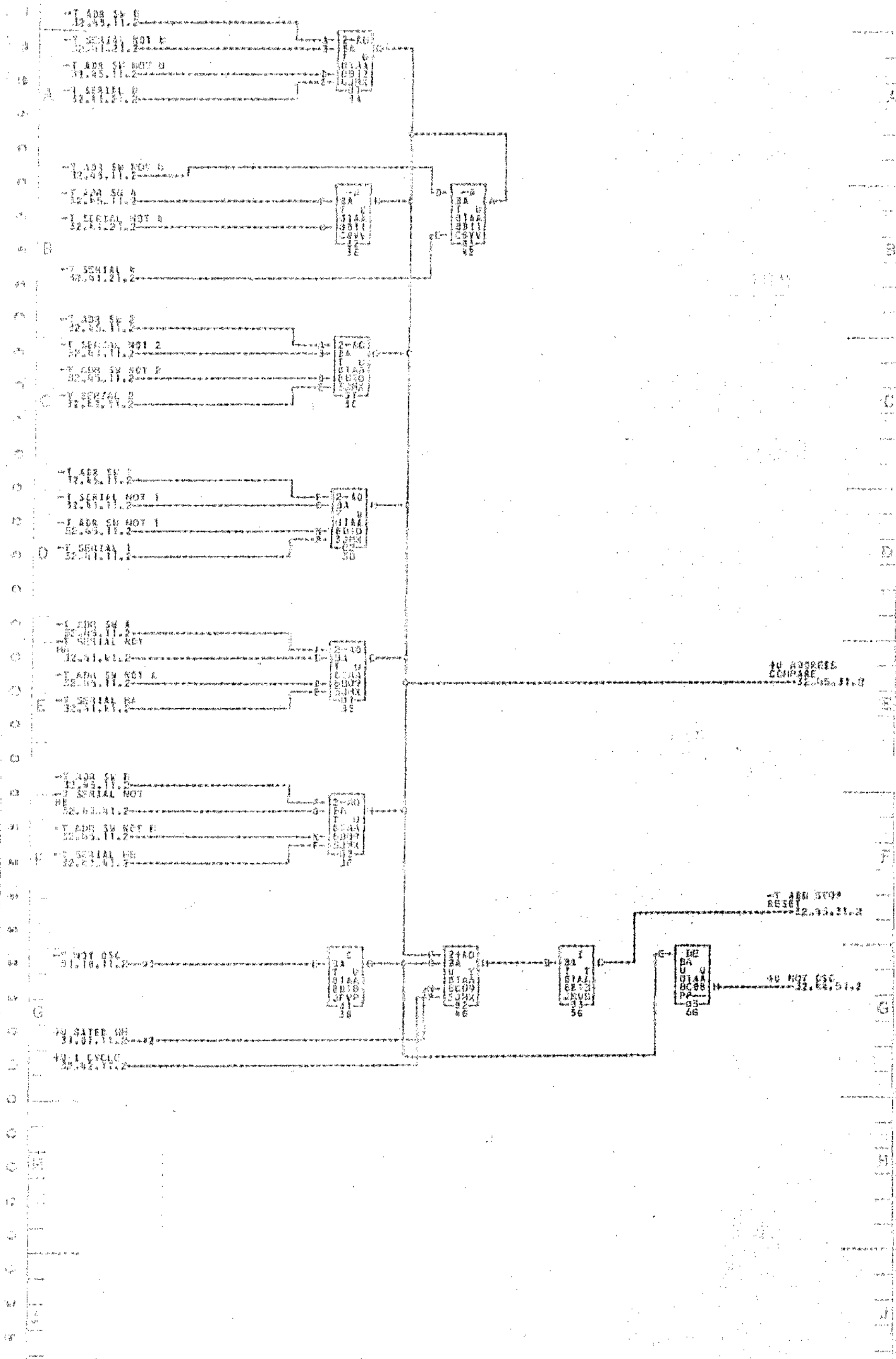
401280 STOP INPUT SWITCHING SECT. 1

1001 10

32.03.11.2



- *1-01A822A
- *2-01A822B
- *3-01A822C
- *4-01A822D
- *5-01A822E
- *6-01A822F
- *7-01A822G
- *8-01A822H
- *9-01A822I
- *0-01A822J
- *A-01A822K
- *B-01A822L
- *C-01A822M
- *D-01A822N
- *E-01A822O
- *F-01A822P
- *G-01A822Q
- *H-01A822R
- *I-01A822S
- *J-01A822T



*1-11488250 *2-0143325A

COMMENTS

TAG	DATE	BY	NO.	REV.	TAG	DATE	BY	NO.	REV.
3	33-27-61	1103299	1	02-11-61	1103291	1	07-27-61	1103296	

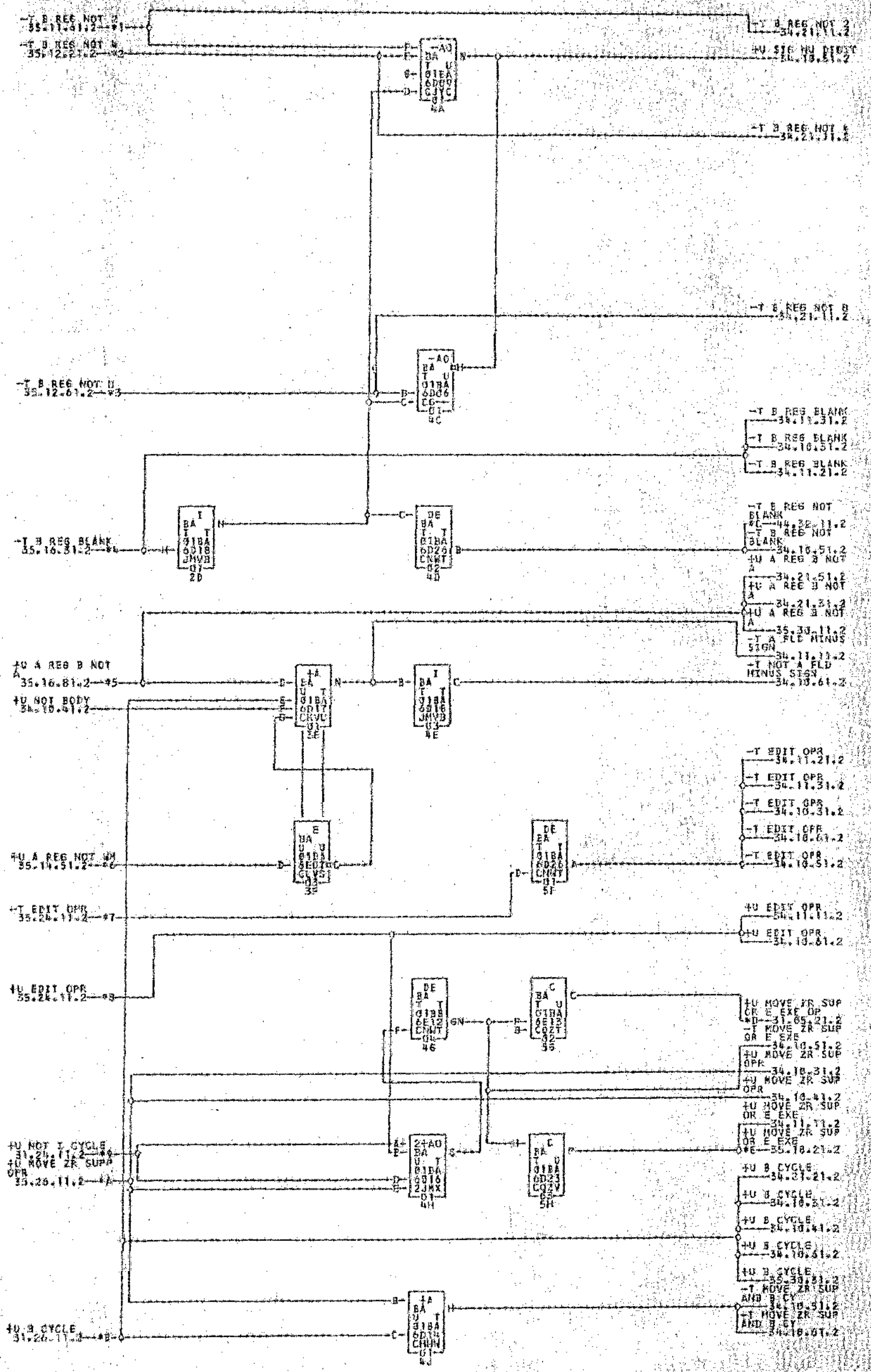
1103291

0728611

EHY

UNIT 5A

34.10.21.2



- *1-01B6E021
- *2-01B6E02L
- *3-01B6E02K
- *4-01B6E02P
- *5-01B6E02C
- *6-01B6A01H
- *7-01B6E01K
- *8-01B6D01R
- *9-01B6D01A
- *A-01B6D01F
- *B-01B6B01D
- *C-01B6F05H
- *D-01B6E01E
- *E-01B6E02K
- *F-01A3A20K

CONTENTS

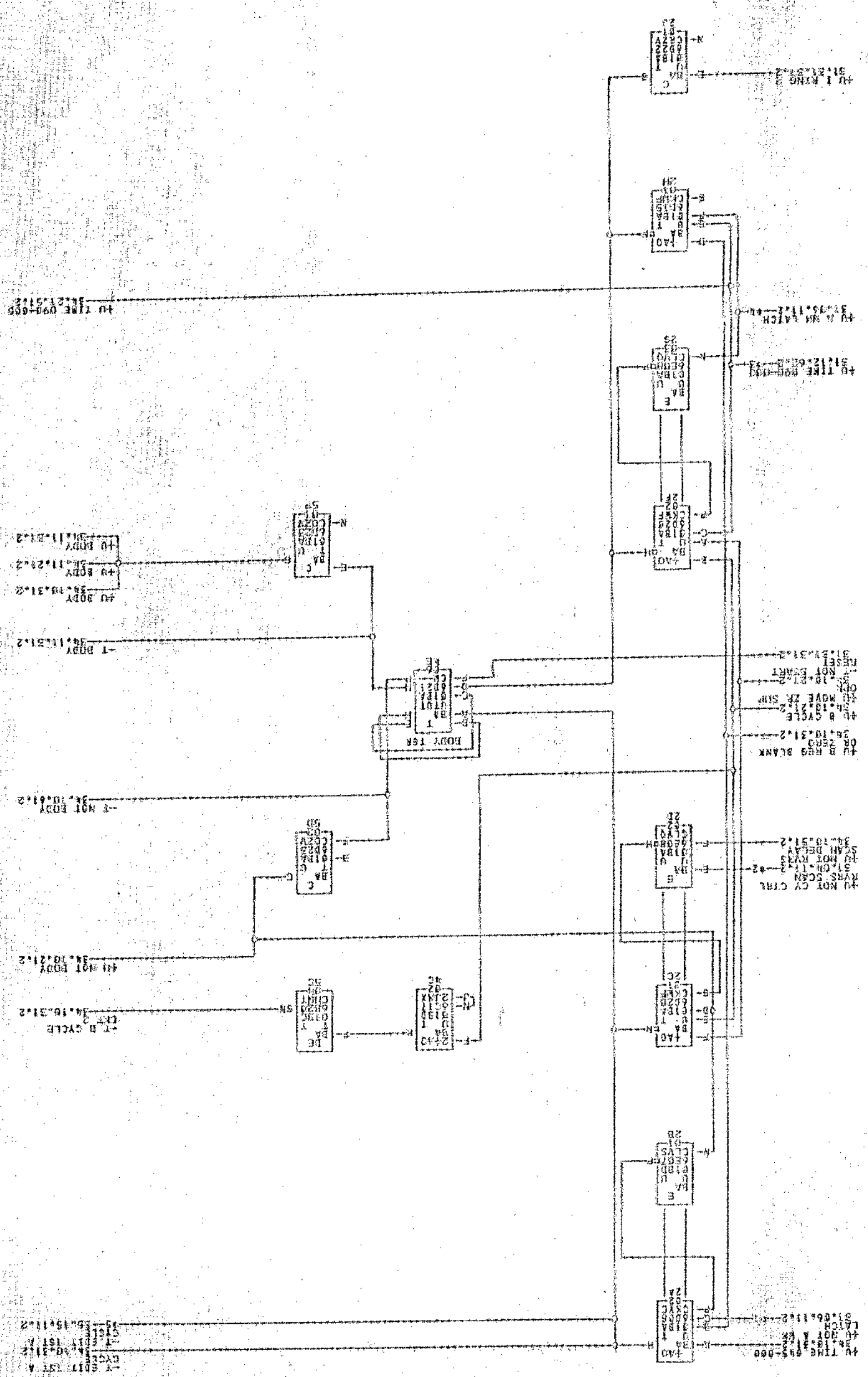
TAB DATE E.C.NO. TAB DATE E.C.NO. TAB DATE E.C.NO. TAB DATE E.C.NO. TAB DATE E.C.NO.

A 05-26-61 118201 B 07-07-61 118240 C 12-26-62 114053

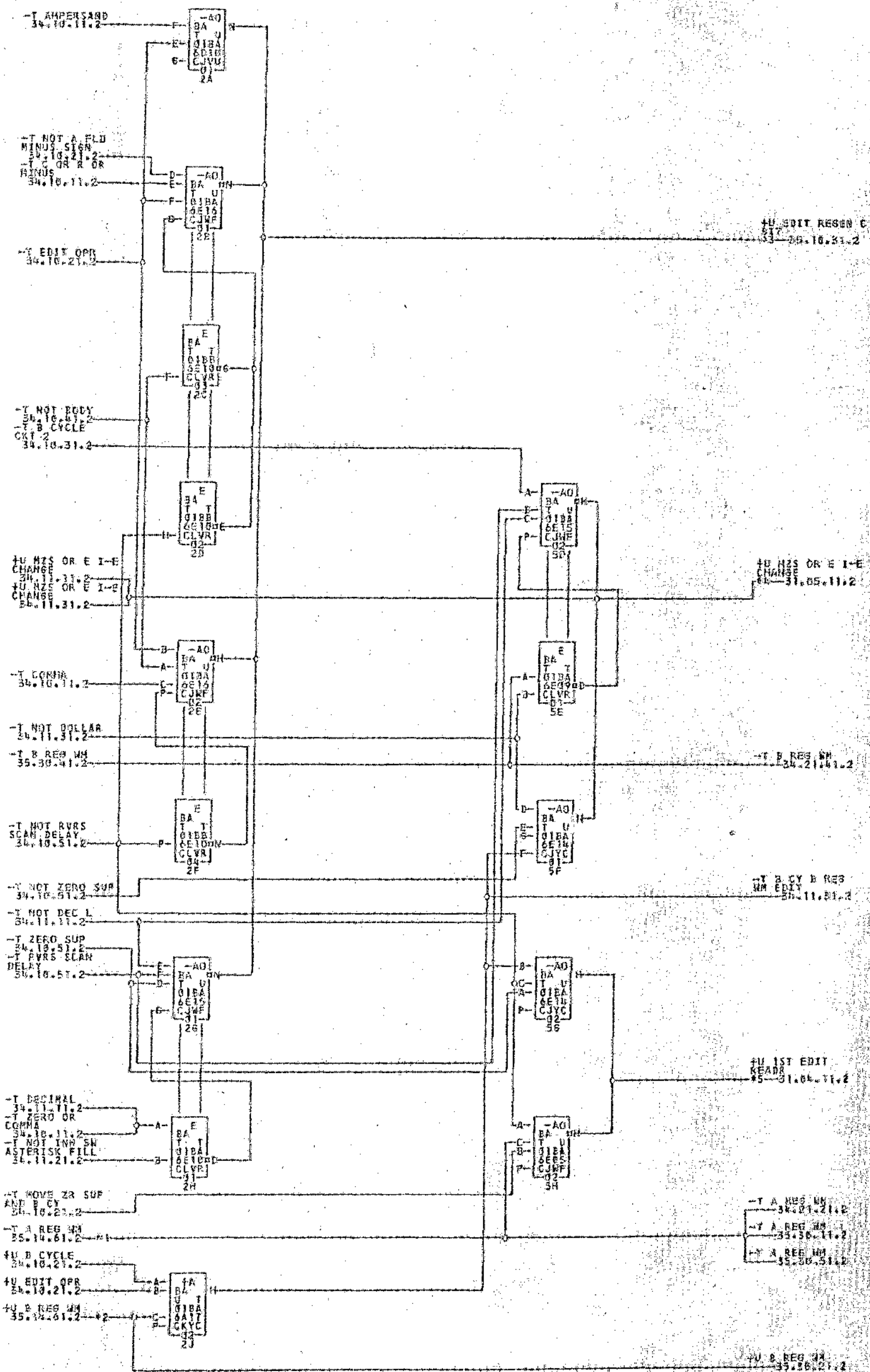
1A9 DATE 17-07-67 113221
 1A8 DATE 17-07-67 113221
 1A7 DATE 17-07-67 113221
 1A6 DATE 17-07-67 113221
 1A5 DATE 17-07-67 113221
 1A4 DATE 17-07-67 113221
 1A3 DATE 17-07-67 113221
 1A2 DATE 17-07-67 113221
 1A1 DATE 17-07-67 113221

COMMENT

*1- 01B0010
 *2- 01B0010
 *3- 01B0010
 *4- 01B0010
 *5- 01B0010



40 I RING 95-000
 40 I RING 94-000
 40 I RING 93-000
 40 I RING 92-000
 40 I RING 91-000
 40 I RING 90-000
 40 I RING 89-000
 40 I RING 88-000
 40 I RING 87-000
 40 I RING 86-000
 40 I RING 85-000
 40 I RING 84-000
 40 I RING 83-000
 40 I RING 82-000
 40 I RING 81-000
 40 I RING 80-000
 40 I RING 79-000
 40 I RING 78-000
 40 I RING 77-000
 40 I RING 76-000
 40 I RING 75-000
 40 I RING 74-000
 40 I RING 73-000
 40 I RING 72-000
 40 I RING 71-000
 40 I RING 70-000
 40 I RING 69-000
 40 I RING 68-000
 40 I RING 67-000
 40 I RING 66-000
 40 I RING 65-000
 40 I RING 64-000
 40 I RING 63-000
 40 I RING 62-000
 40 I RING 61-000
 40 I RING 60-000
 40 I RING 59-000
 40 I RING 58-000
 40 I RING 57-000
 40 I RING 56-000
 40 I RING 55-000
 40 I RING 54-000
 40 I RING 53-000
 40 I RING 52-000
 40 I RING 51-000
 40 I RING 50-000
 40 I RING 49-000
 40 I RING 48-000
 40 I RING 47-000
 40 I RING 46-000
 40 I RING 45-000
 40 I RING 44-000
 40 I RING 43-000
 40 I RING 42-000
 40 I RING 41-000
 40 I RING 40-000
 40 I RING 39-000
 40 I RING 38-000
 40 I RING 37-000
 40 I RING 36-000
 40 I RING 35-000
 40 I RING 34-000
 40 I RING 33-000
 40 I RING 32-000
 40 I RING 31-000
 40 I RING 30-000
 40 I RING 29-000
 40 I RING 28-000
 40 I RING 27-000
 40 I RING 26-000
 40 I RING 25-000
 40 I RING 24-000
 40 I RING 23-000
 40 I RING 22-000
 40 I RING 21-000
 40 I RING 20-000
 40 I RING 19-000
 40 I RING 18-000
 40 I RING 17-000
 40 I RING 16-000
 40 I RING 15-000
 40 I RING 14-000
 40 I RING 13-000
 40 I RING 12-000
 40 I RING 11-000
 40 I RING 10-000
 40 I RING 9-000
 40 I RING 8-000
 40 I RING 7-000
 40 I RING 6-000
 40 I RING 5-000
 40 I RING 4-000
 40 I RING 3-000
 40 I RING 2-000
 40 I RING 1-000
 40 I RING 0-000



*1-01B6A01A *2-01B6A01J *3-01B6C02E *4-01B6B01L *5-01B6B01J

COMMENTS

TAR DATE E.C.NO. TAR DATE E.C.NO. TAR DATE E.C.NO. TAR DATE E.C.NO. TAR DATE E.C.NO.

-T B CYCLE 3
REG MM EDIT
34.10.61.2

-T B CYCLE 3
REG MM EDIT
34.11.11.2

+U BODY
34.10.41.2

+U 2ND EDZY
READR
34.11.11.2

+U TIME 030-040
31.12.51.2

+U NOT ASTERISK
34.11.21.2

-T EDIT OPR
34.10.21.2
+U B REG 8 NOT
34.10.11.2
+U B CY 3 REG
NOT A
34.10.11.2

+U NOT DOLLAR
34.11.21.2

-T NOT DOLLAR
34.10.61.2

+U B REG 21
34.10.11.2

-T BODY
34.10.41.2

-T RSEN 3 REG
34.11.21.2

+U REGEN A REG
AND BODY
34.10.31.2

-T HVRS SCAN
DELAY
34.10.51.2

-T CY CYRL 3VRS
SCAN
34.10.51.2

-T B REG BLANK
34.10.21.2

+U HVRS OR E 1-E
CHANGE
34.10.61.2

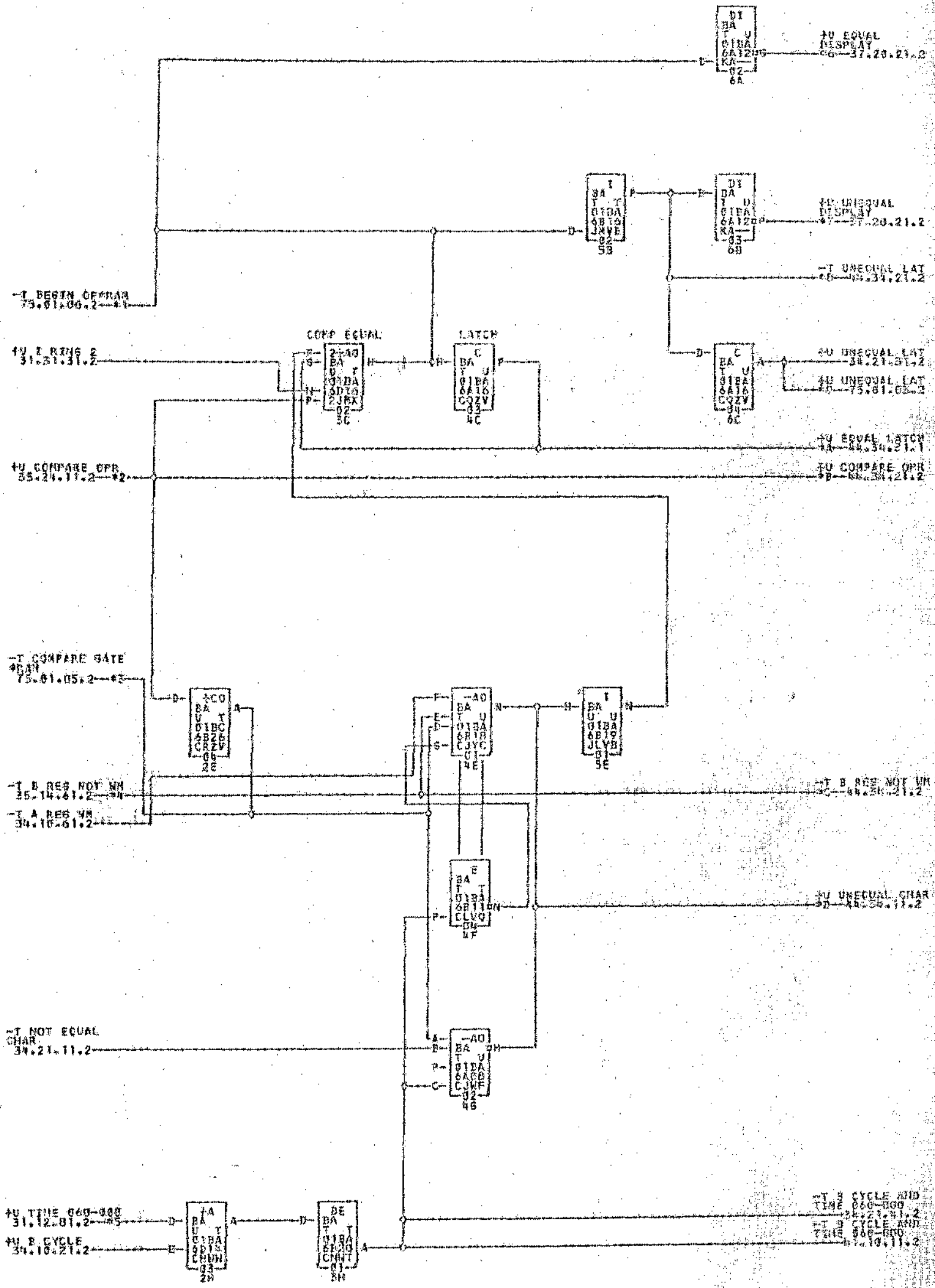
*1-01B00310

*2-01D00029

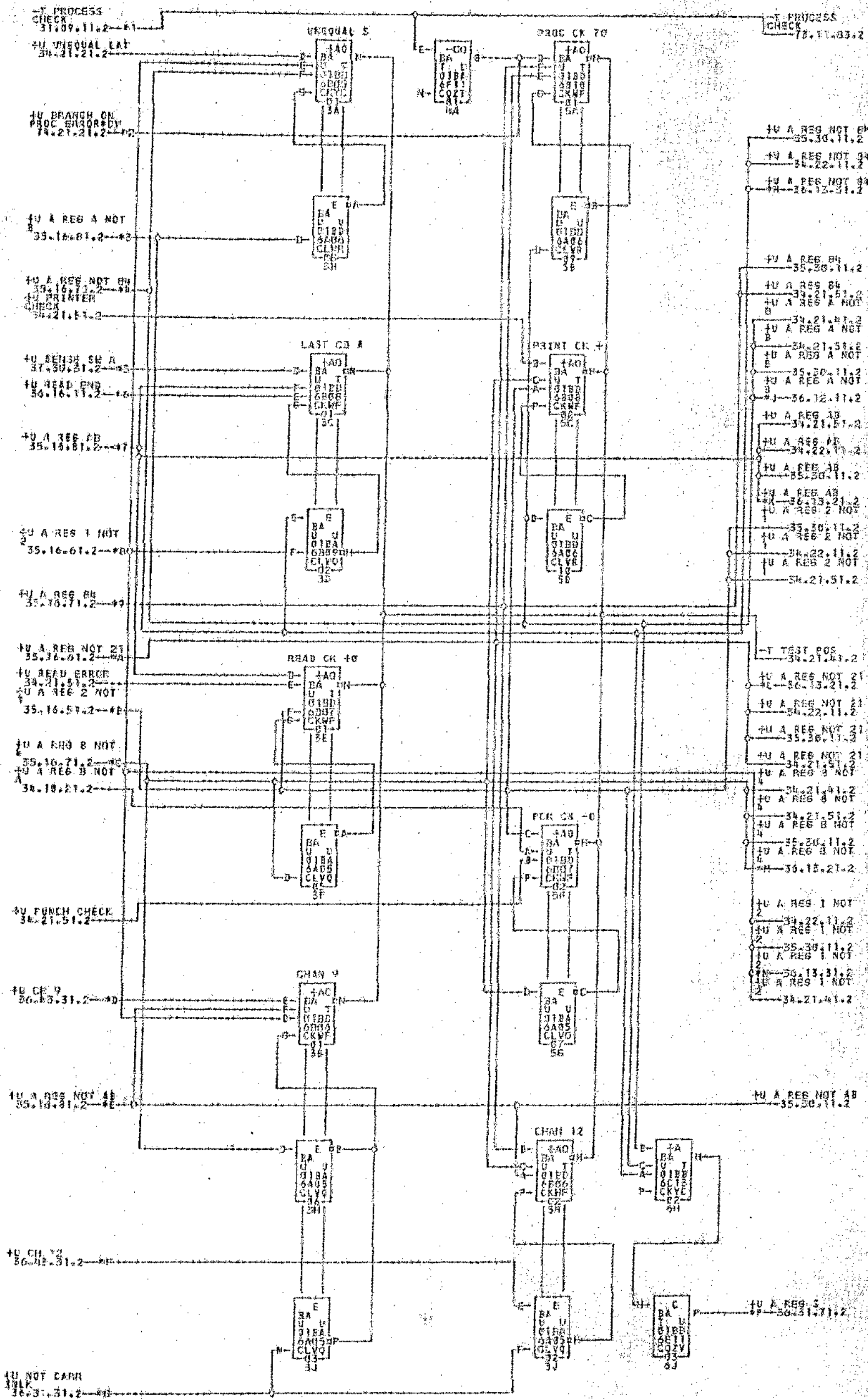
01A3EE66

COMMENTS

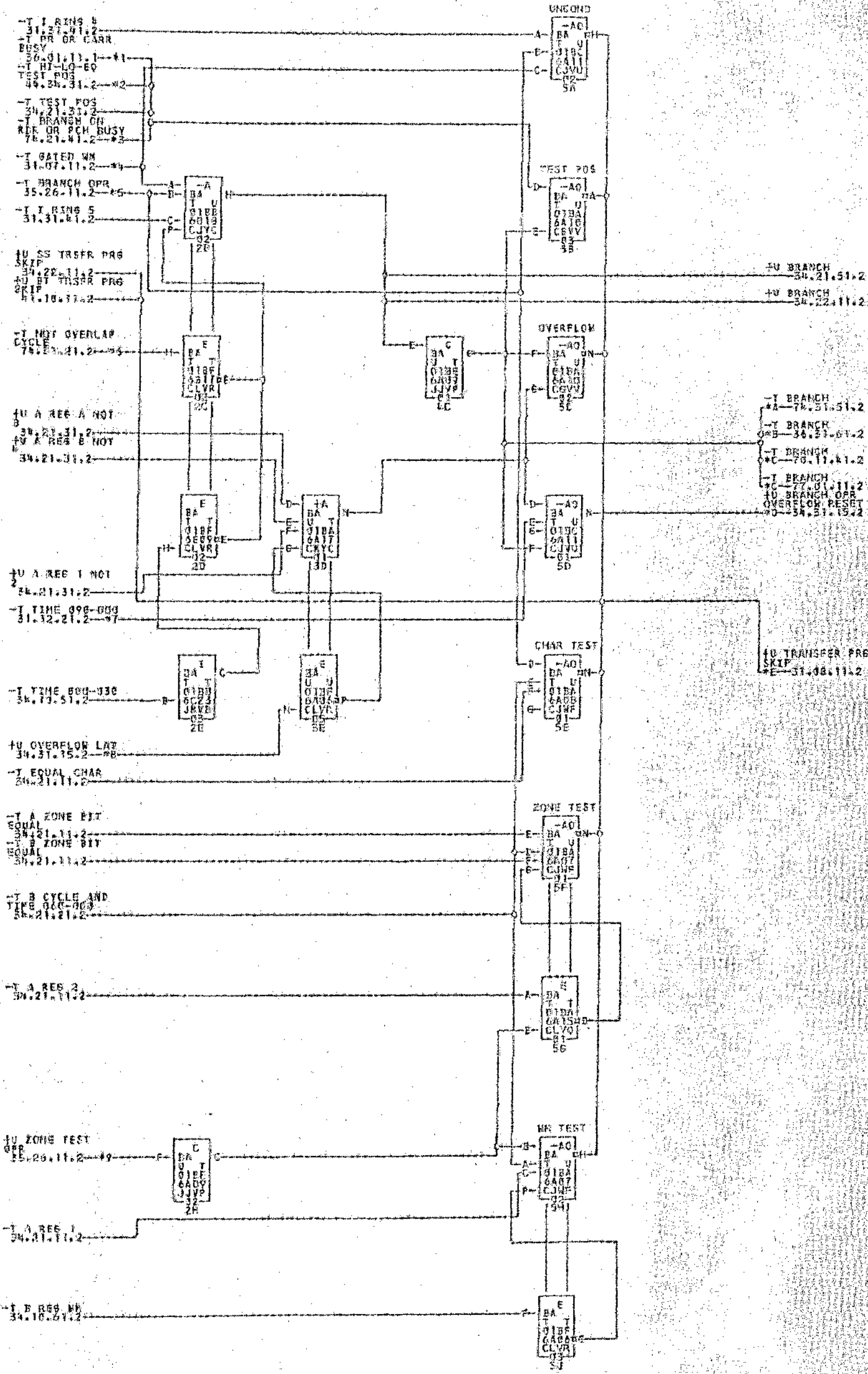
TAG DATE E.C.NO. TAG DATE E.C.NO. TAG DATE E.C.NO. TAG DATE E.C.NO.
A 05-25-61 113320P B 02-16-62 114204 C 12-24-62 114333



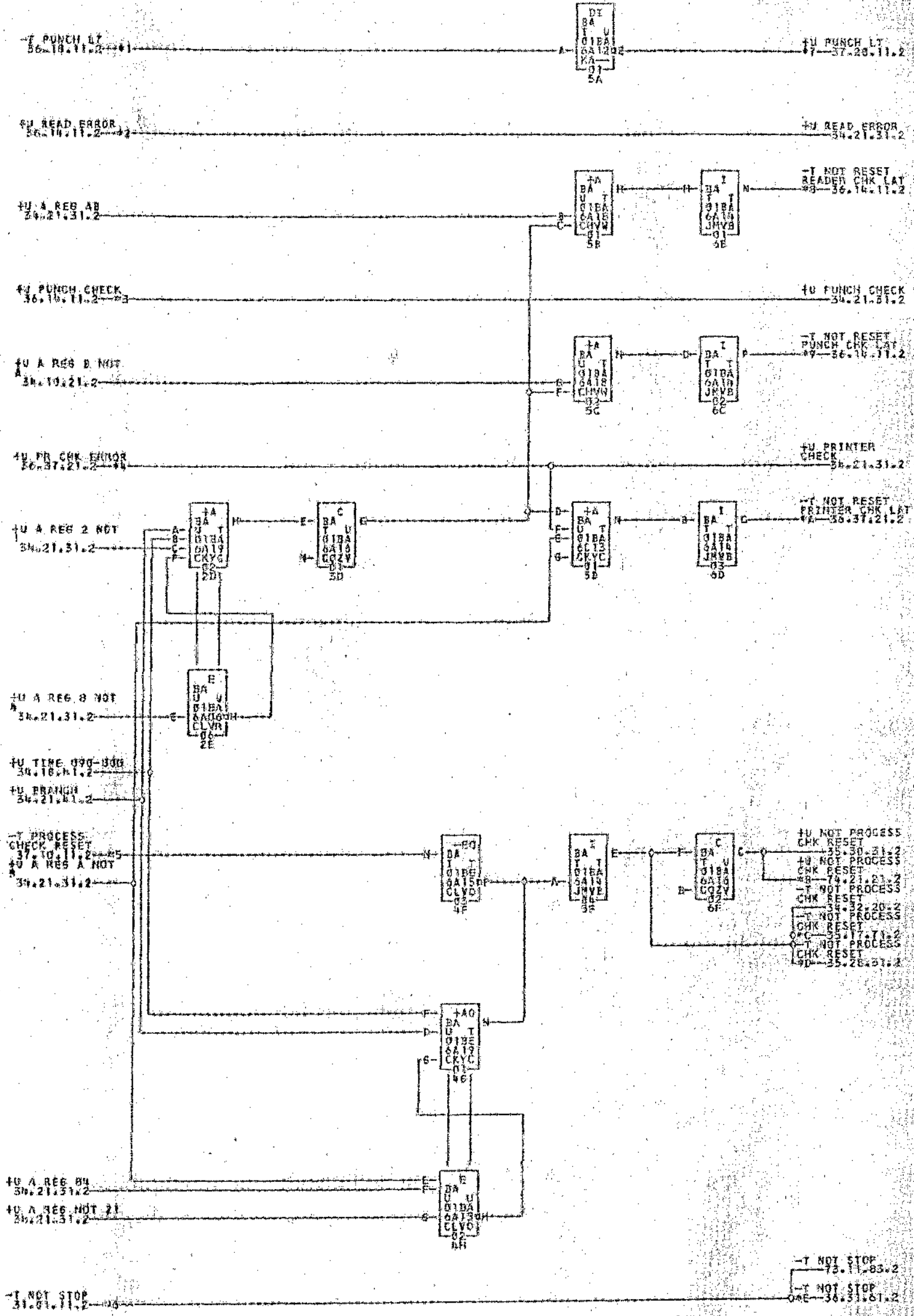
- *1-01B6F33P
- *2-01B6F01D
- *3-02A9E29A
- *4-01B5D01A
- *5-01B6F03M
- *6-02A9D15D
- *7-01B6F02P
- *8-01B5A02H
- *9-01B6F03N
- *10-02A9C15D
- *11-01B6F01E
- *12-02A9E25A
- *13-01B6F02A
- *14-02A9B25H
- *15-01B6F03D
- *16-02A9D15D
- *17-01B6F02J
- *18-01B6F03K
- *19-02A9E25K
- *20-01B6F05E
- *21-02A9B25H
- *22-02A9D07D
- *23-02A9E256



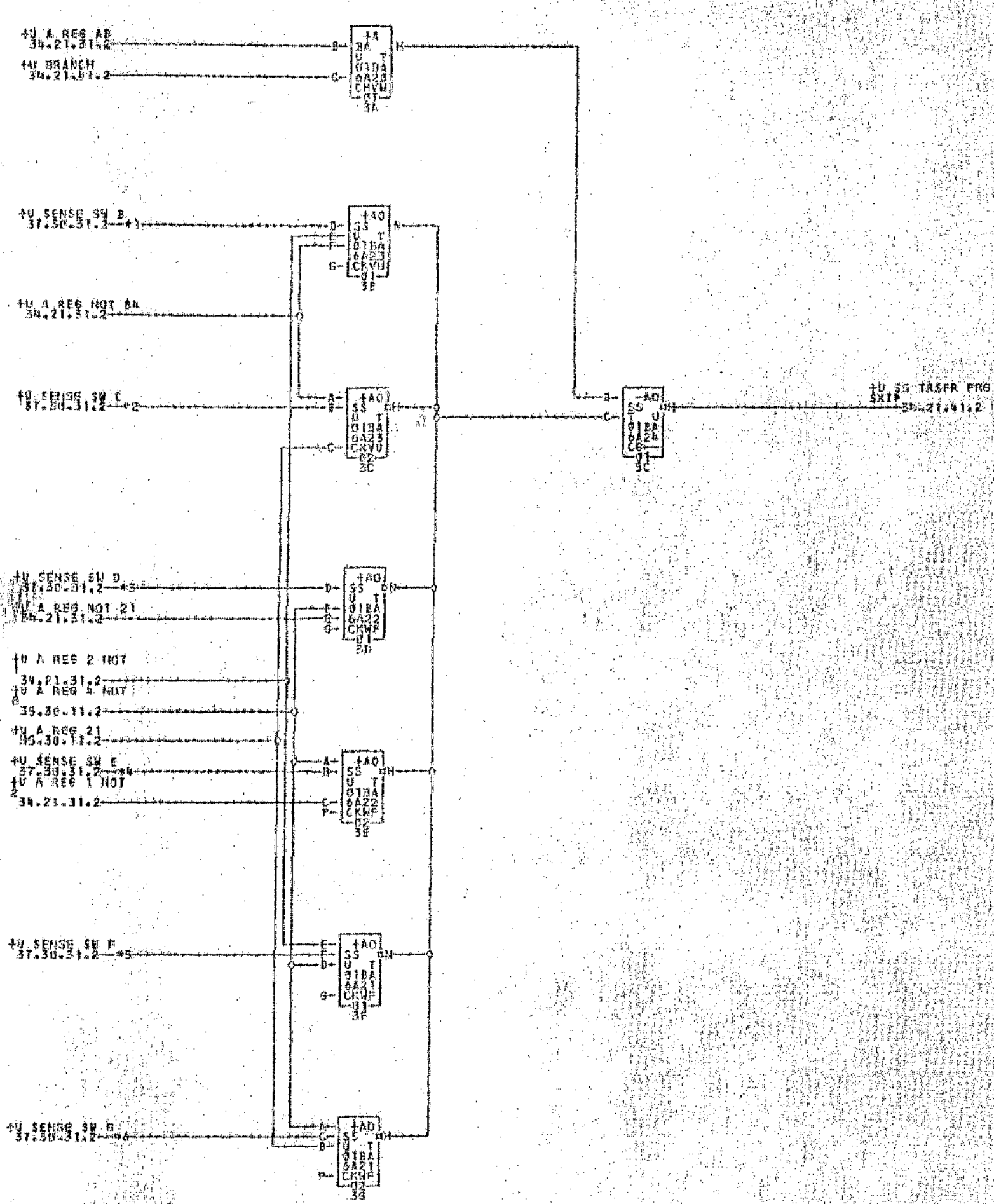
*1--01B6E01F	*2--01B6E025	*3--01B6E02D	*4--01B6E034	*5--01B6E03A	*6--01B6E03A
*7--01B6E02A	*8--01B6E02L	*9--01B6E02E	*A--01B6E021	*B--01B6E030	*C--01B6E02F
*U--01B6E016	*V--01B6E020	*W--01B6E03H	*X--01B6E031	*Y--01B6E030	*Z--01B6E021
*J--01B6E03F	*K--01B6E03P	*L--01B6E034	*M--01B6E03H	*N--01B6E03A	*O--01B6E03A
*P--01B6E03K	*Q--01B6E03R	*R--01B6E03H	*S--01B6E03H	*T--01B6E03A	*U--01B6E03A



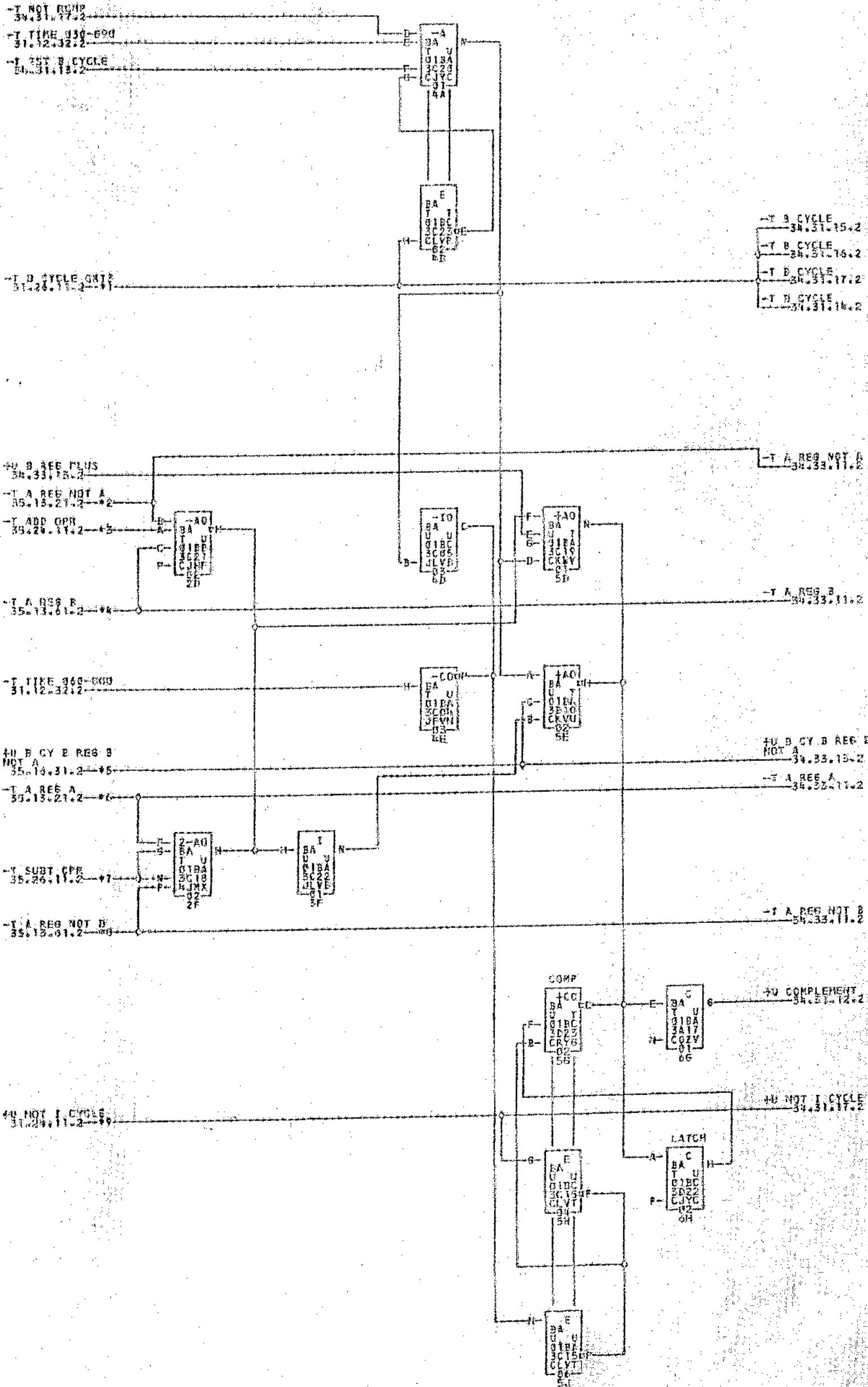
*1--0186003H	*2--0186003B	*3--0186102B	*4--0186001P	*5--0186001E	*6--0186002A
*7--0186001U	*8--0186001H	*9--0186001P	*A--0186002C	*B--02A0F05B	*C--02A0F11B
*D--0186003A	*E--0186003A	*F--0186001H	*G--0181402H	*H--0183802R	*I--0186001H
*J--02A0C23K	*K--02A0C23K	*L--0187006K	*M--0186001R		



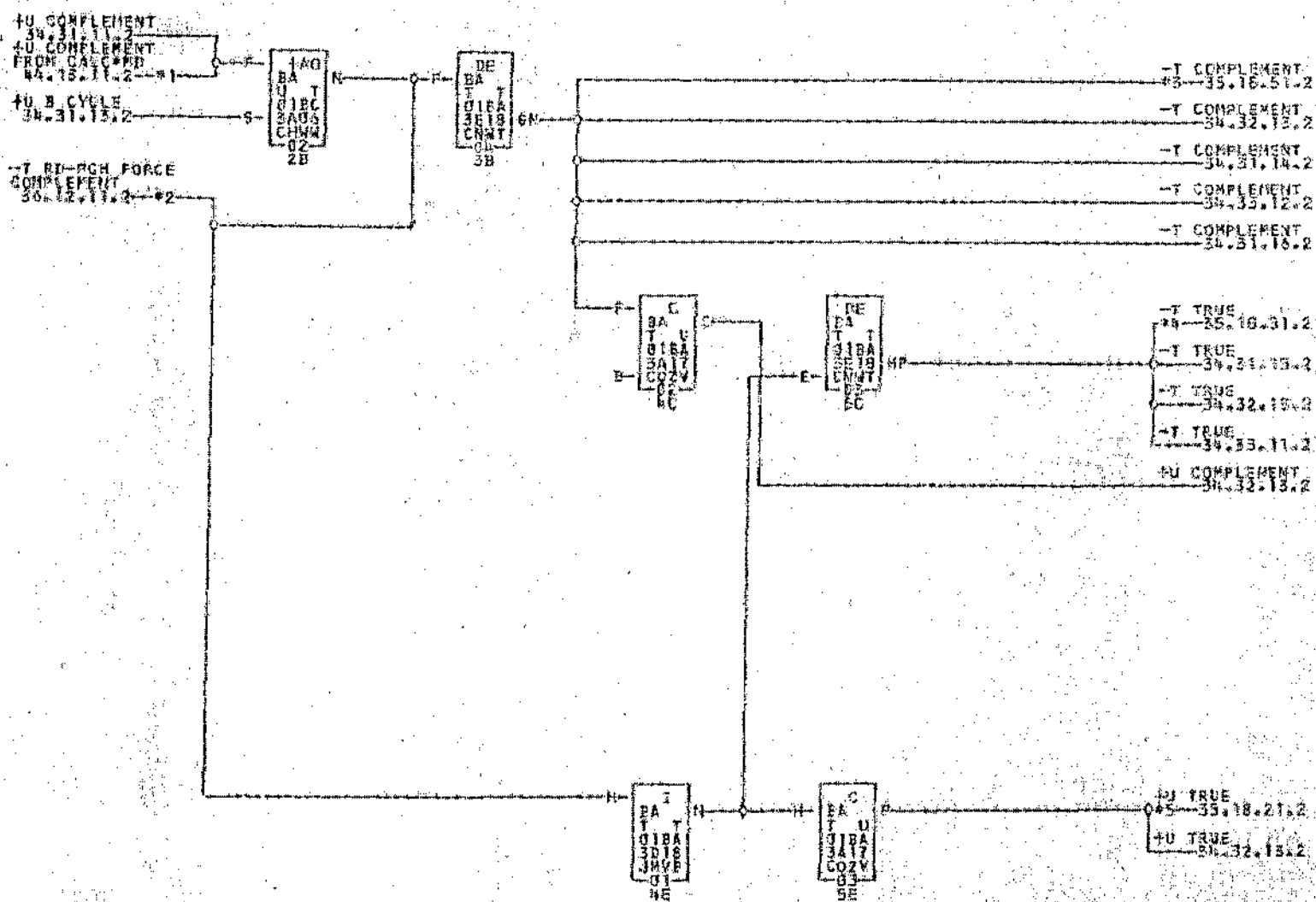
- *1--01B0A02B
- *2--01P0A03H
- *3--01D0A03N
- *4--01B0C03C
- *5--01B0A03N
- *6--01B0E03H
- *7--01B0A02H
- *8--01A2A02J
- *9--01B0A030
- *A--01B0B020
- *B--01B0C020
- *C--01B0C020
- *D--01B0D011
- *E--01B0E03D
- *F--02A0F07D
- *G--02B1D02R



- *1--01B6A02B
- *2--01B6A02C
- *3--01B6A02D
- *4--01B6A02E
- *5--01B6A02F
- *6--01B6A02G



11-01833322
 12-01833301
 13-01833305
 14-01833301
 15-01833305
 16-01833301



#1-01B3E02M
#2-01B3E01H

#2-01B3E03H
#3-01A3C26H

#3-01B3D01P

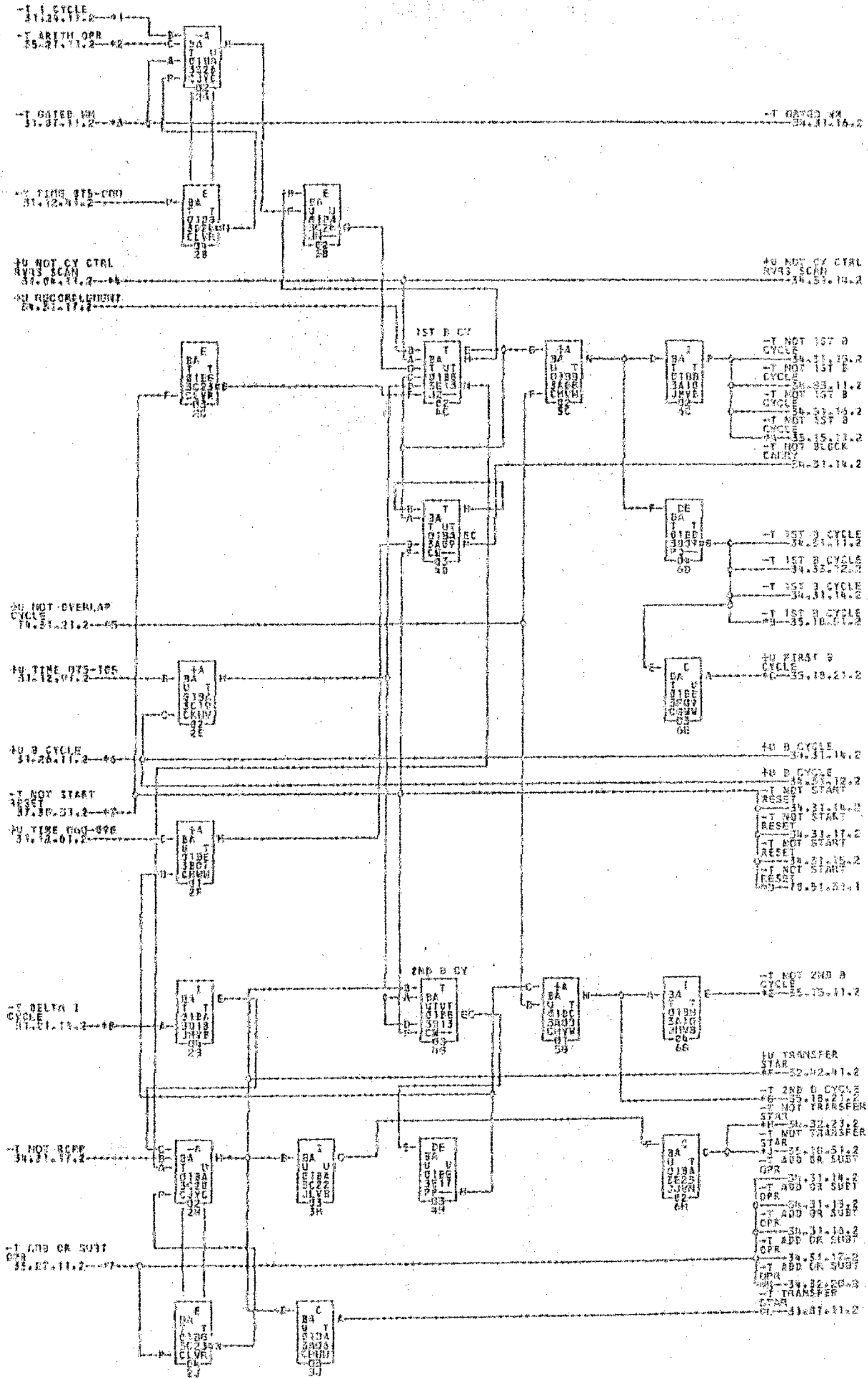
#4-01A3C25P

#4-01B3E01M

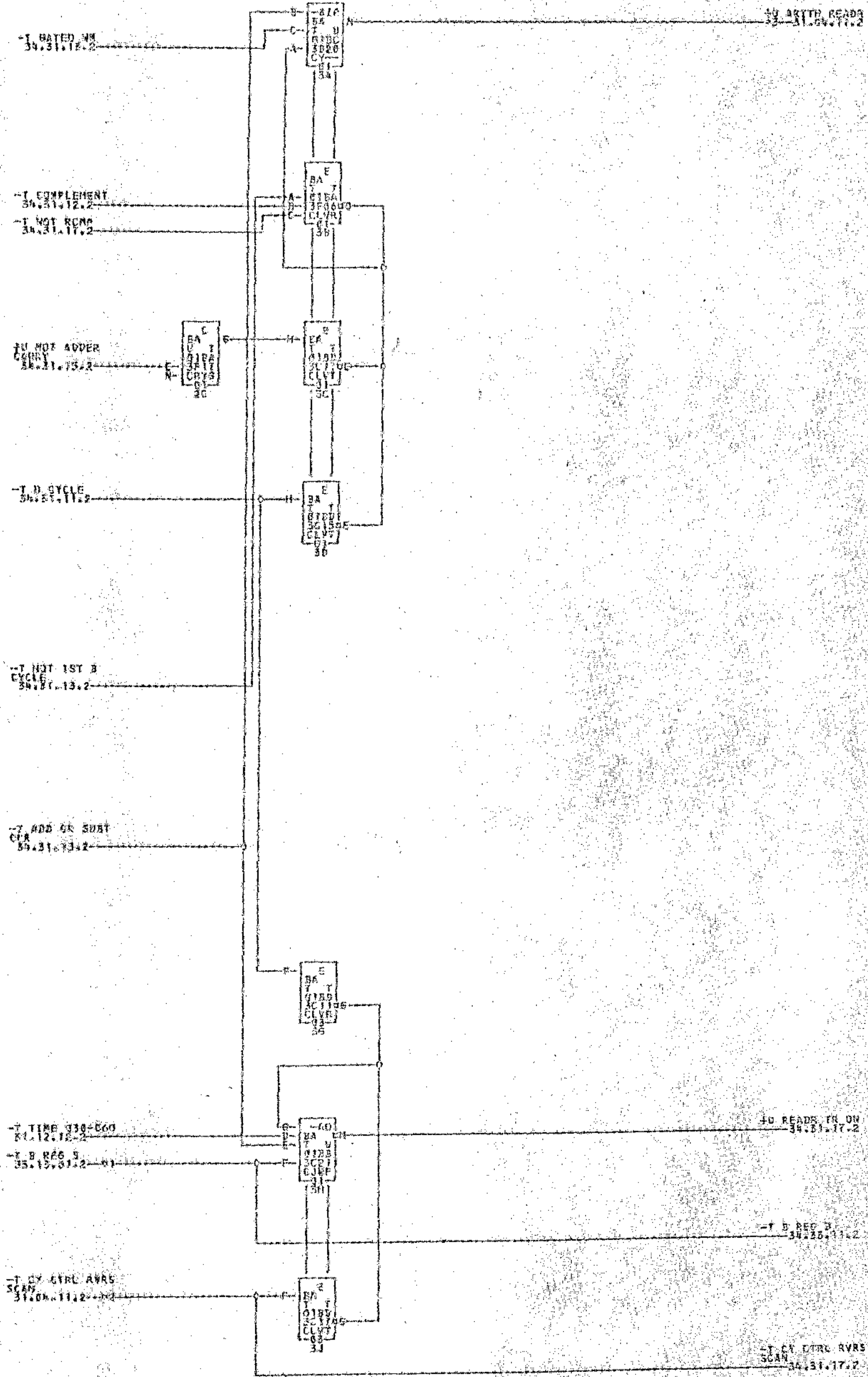
#4-01A3C26H

COMMENTS

TAG	DATE	E.C. NO.	TAG	DATE	E.C. NO.	TAG	DATE	E.C. NO.	TAG	DATE	E.C. NO.
#1	34-02-01	110320N	#2	08-10-61	110324R	#3	12-24-62	117053			



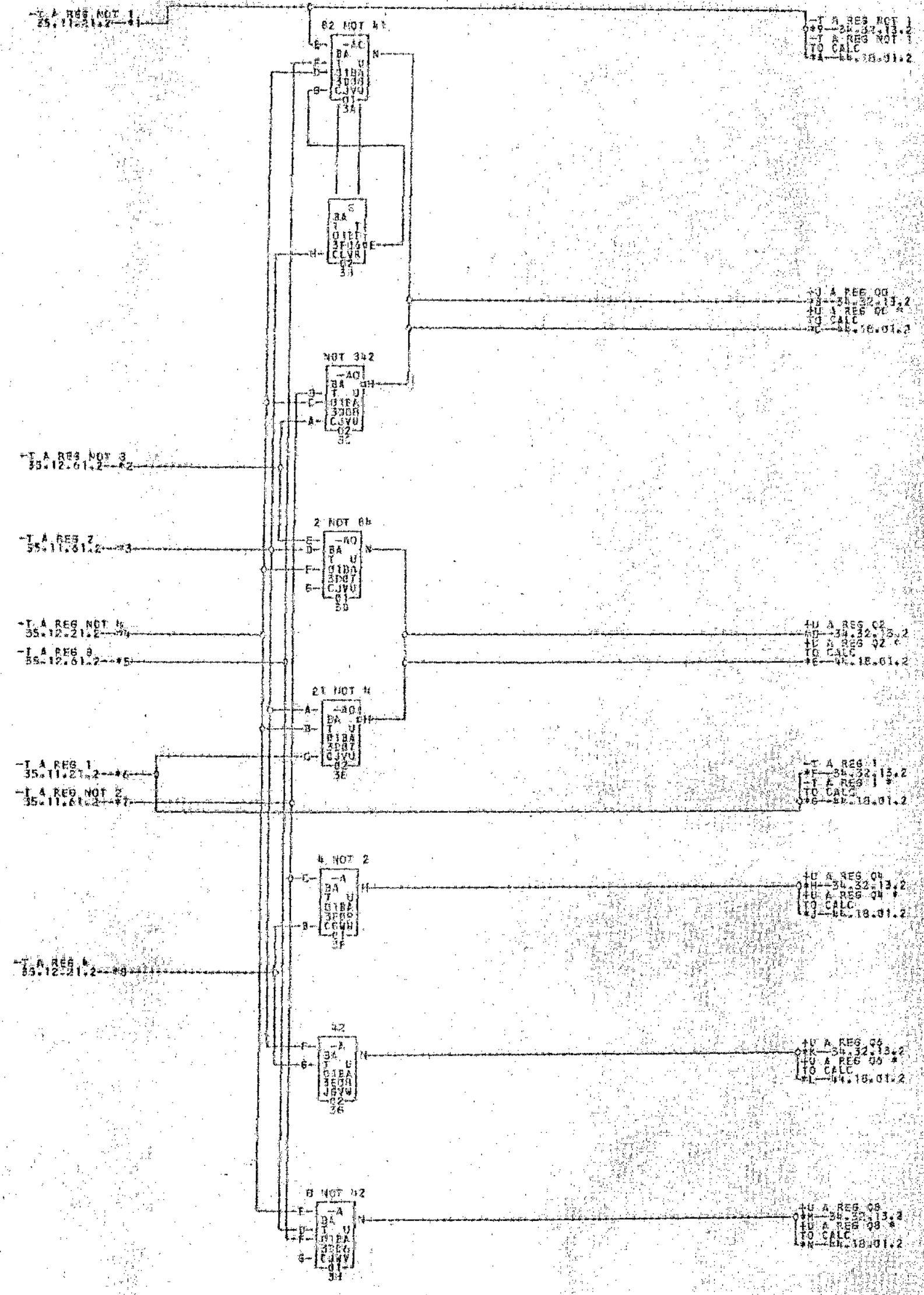
11-01838019	22-01838028	33-01838037	44-01838046	55-01838055	66-01838064
12-01838020	23-01838029	34-01838038	45-01838047	56-01838056	67-01838065
13-01838021	24-01838030	35-01838039	46-01838048	57-01838057	68-01838066
14-01838022	25-01838031	36-01838040	47-01838049	58-01838058	69-01838067
15-01838023	26-01838032	37-01838041	48-01838050	59-01838059	70-01838068
16-01838024	27-01838033	38-01838042	49-01838051	60-01838060	
17-01838025	28-01838034	39-01838043	50-01838052		
18-01838026	29-01838035	40-01838044	51-01838053		
19-01838027	30-01838036	41-01838045	52-01838054		
20-01838028	31-01838037	42-01838046	53-01838055		
21-01838029	32-01838038	43-01838047	54-01838056		



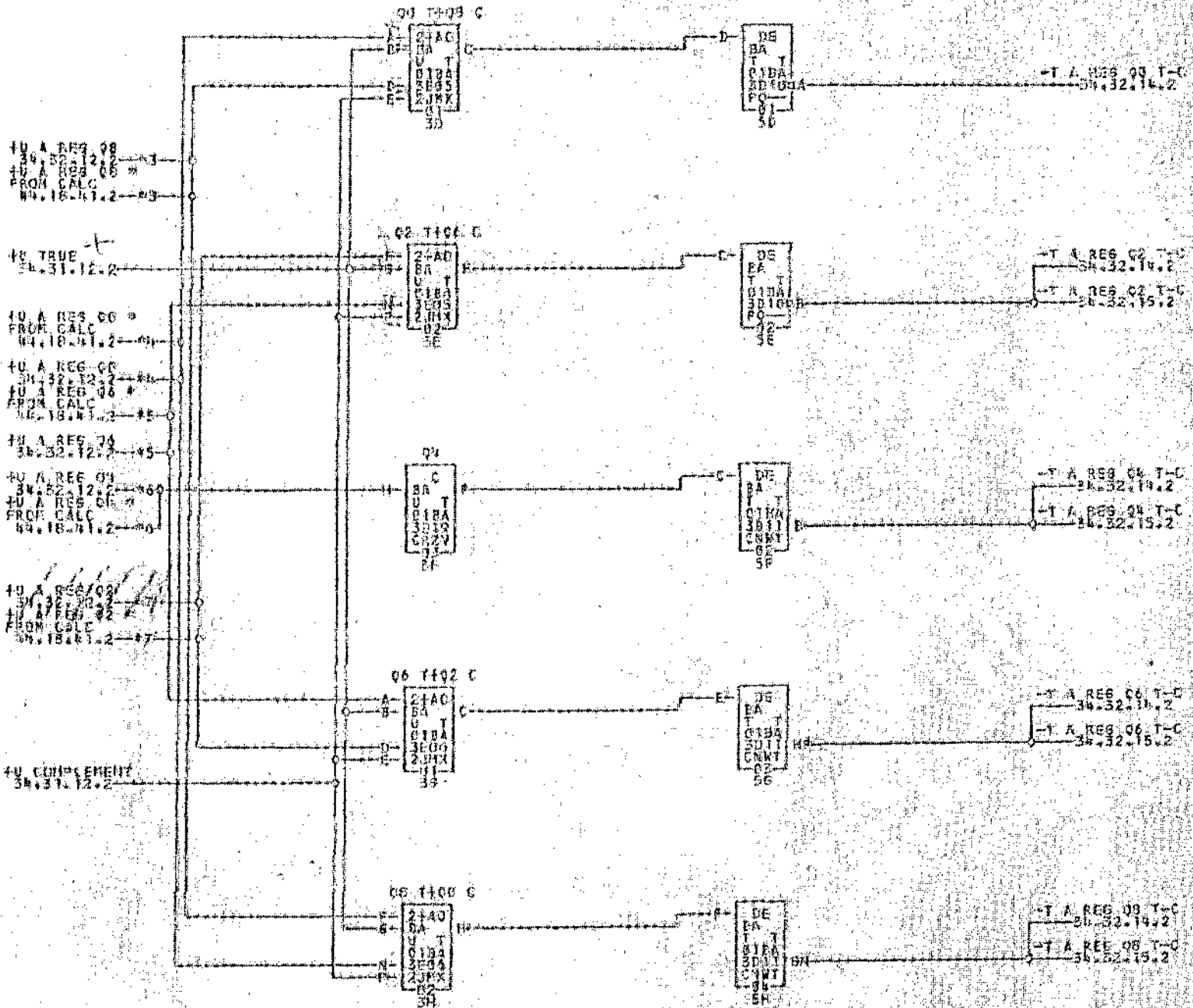
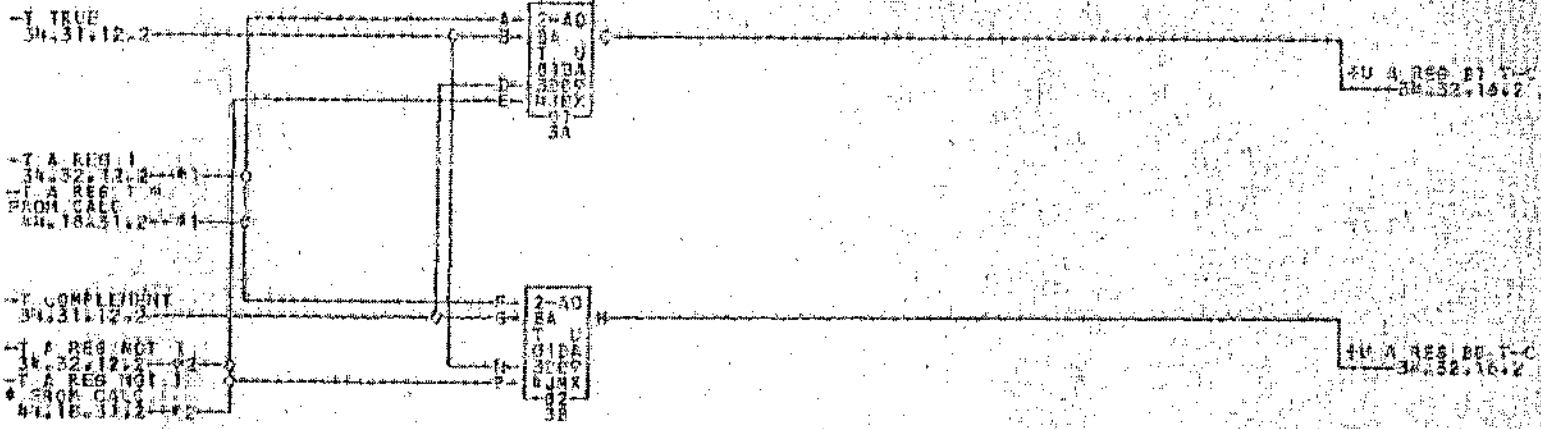
*1--01B5D03K *2--0103E036 *3--01B5E030 —01B2E03P

COMMENTS

TAB. DATE E.C. NO. TAB. DATE E.C. NO. TAB. DATE E.C. NO. TAB. DATE E.C. NO.
 A 11-22-61 119320M B 11-27-61 119320V C 12-29-61 119422 D 12-26-62 119053



*1-01B3B01F	*2-01B3B01H	*3-01B3B01B	*4-01B3B01E	*5-01B3B01D	*6-01B3B01A
*7-01B3B01G	*8-01B3B01C	*9-01B3B01A	*10-01B3B01B	*11-01B3B01E	*12-02A9E26F
*13-02A9E26E	*14-01B3B01A	*15-01B3B01B	*16-02A9E26F	*17-02A9E26E	*18-01B3B01E
*19-01B3B01B	*20-01B3B01E	*21-01B3B01C	*22-01B3B01D	*23-01B3B01E	*24-01B3B01D
*25-01B3B01C	*26-02A9E26E	*27-02A9E26F	*28-01B3B01E	*29-01B3B01D	*30-01B3B01E
*31-02A9E26E	*32-02A9E26F	*33-01B3B01E	*34-01B3B01E	*35-01B3B01E	*36-02A9E26F



11-01B3002F
12-01B3002F

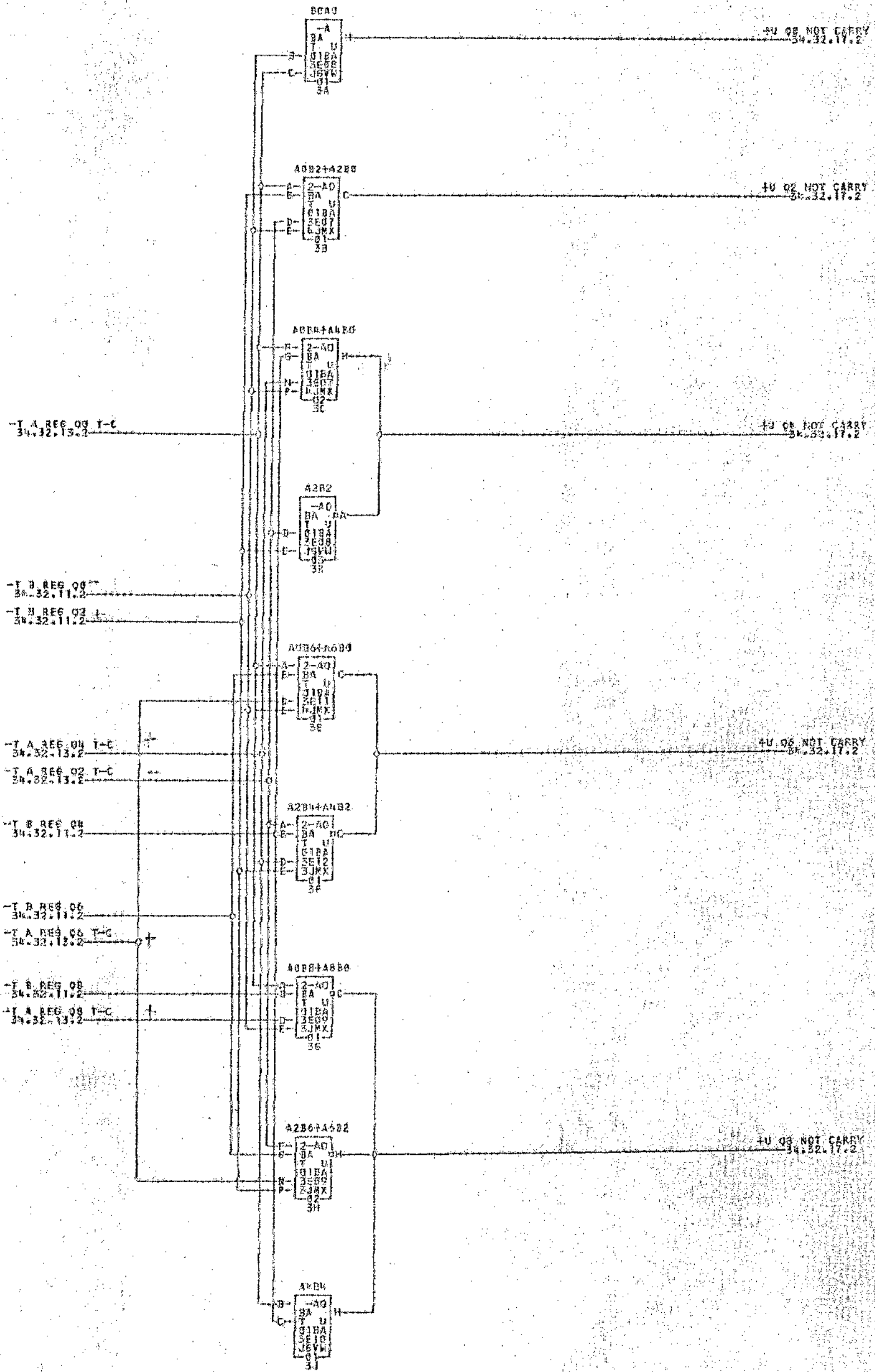
*2--01B3002F

*3--01B3002E

*4--01B3002A

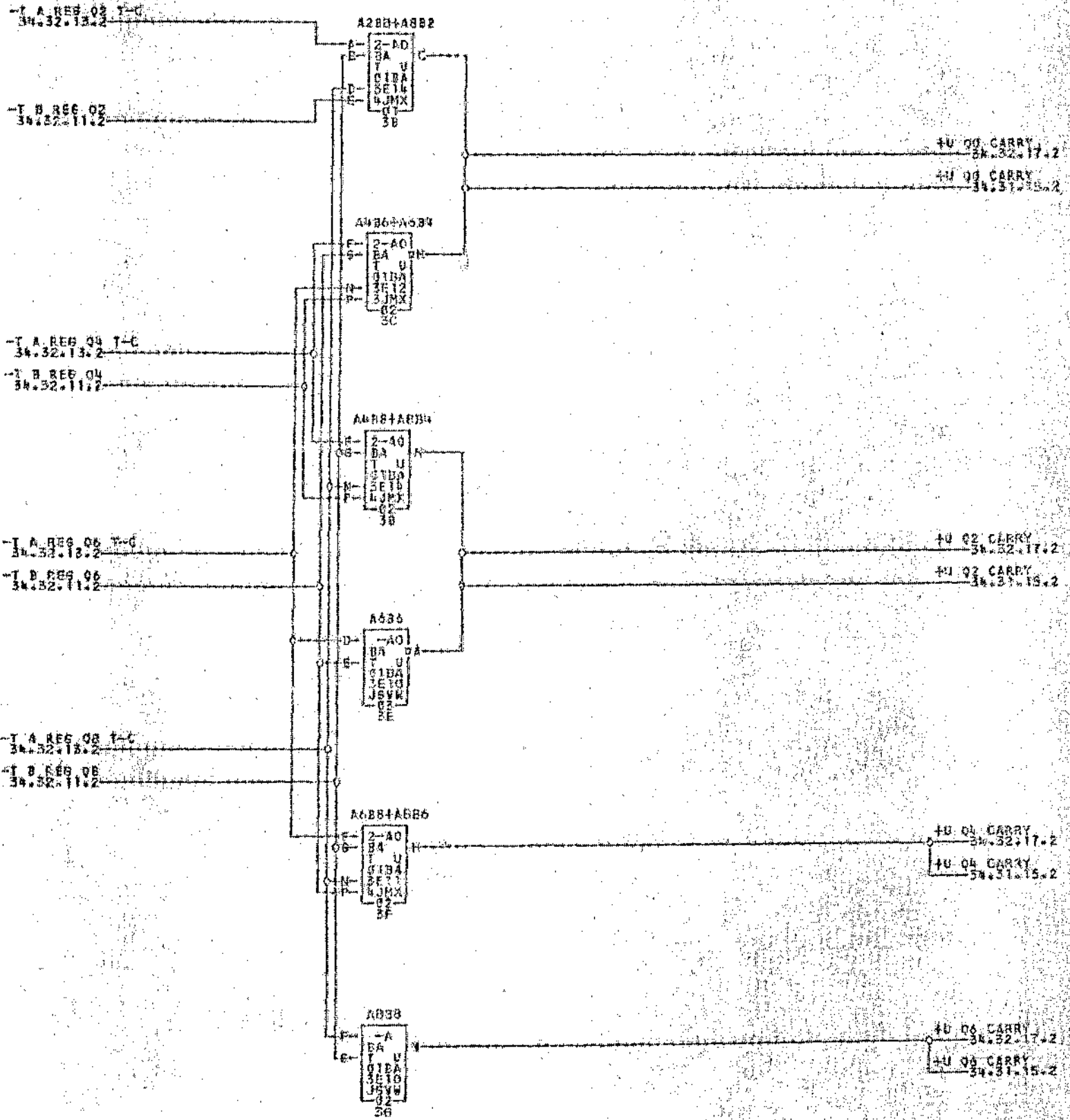
*5--01B3002D

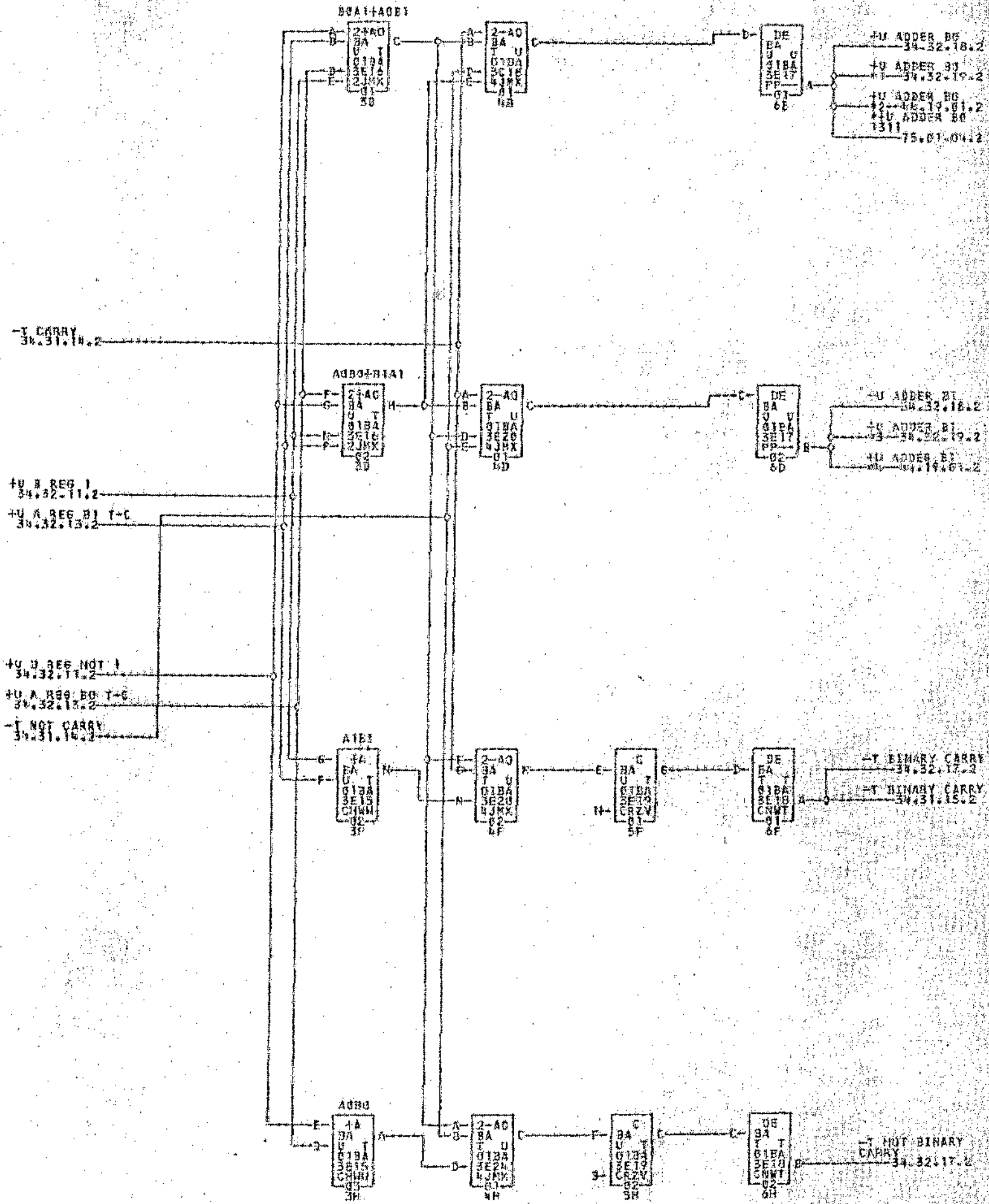
*6--01B3002G



COMMENTS

TAB	DATE	E.C. NO.	TAB	DATE	E.C. NO.	TAB	DATE	E.C. NO.	TAB	DATE	E.C. NO.
A	34-02-01	110520W	B	12-26-52	11055						

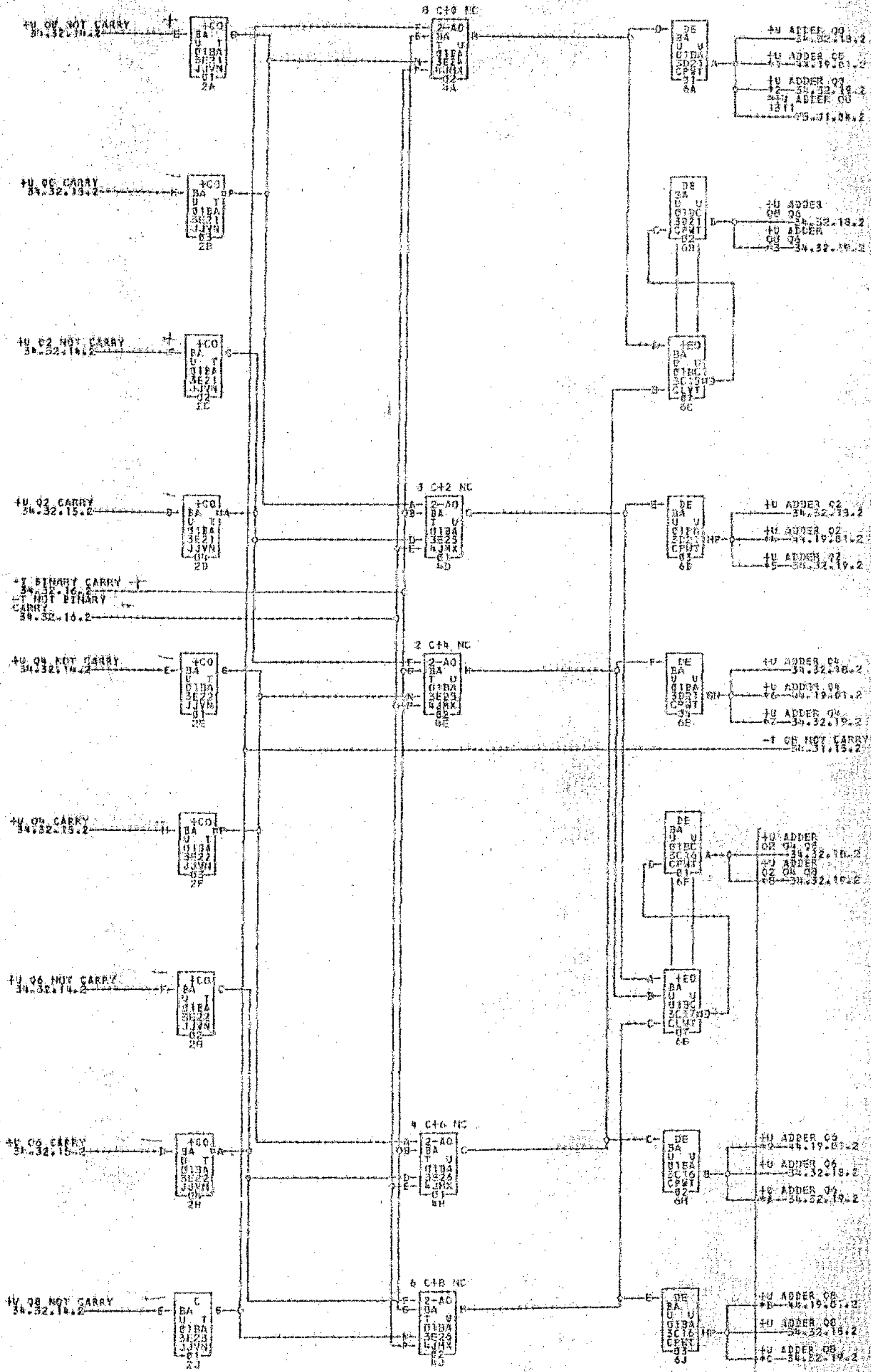




#1--01B3E08A #4--01B3C022 #2--01B3E02J #3A--03A9E056 #2A--02A7E25J #5--01B3E06B
 01B3E01B 01B3C022 02A9F076 02A7E25K

COMMENTS
 NOTE ASTERISK PRECEDING SIGNAL
 INDICATES DIRECT CABLE EXPANSION

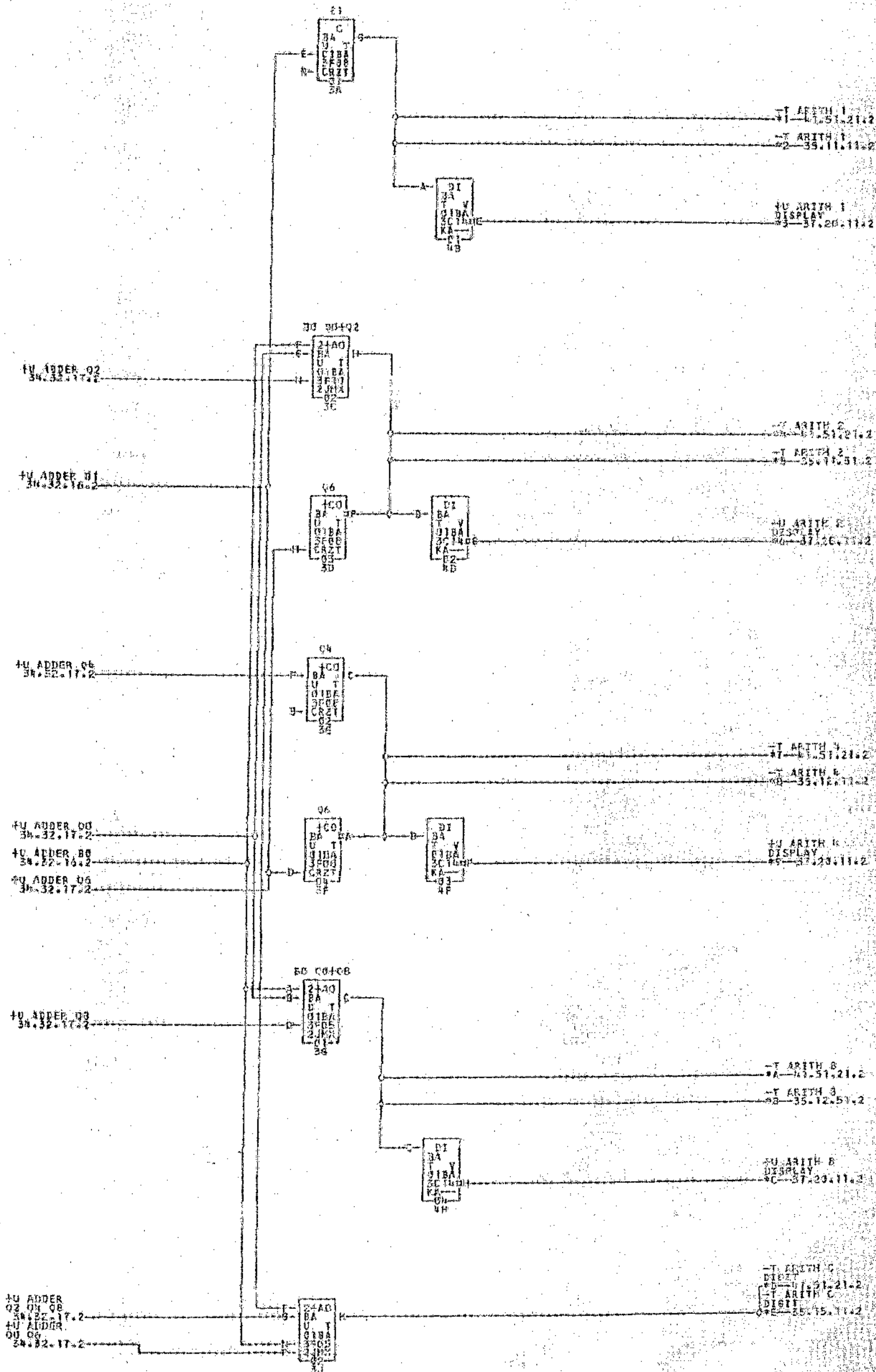
TAG	DATE	E.C. NO.	TAG	DATE	E.C. NO.	TAG	DATE	E.C. NO.	TAG	DATE	E.C. NO.
1	06-02-61	1163207	B	12-24-62	116333						



- *1-01B3C01J
- *2-01B3E04C
- *3-01B3E04H
- *4-01B3E01B
- *5-01B3E01C
- *6-01B3E01D
- *7-01B3E01E
- *8-01B3E01F
- *9-01B3E01G
- *10-01B3E01H
- *11-01B3E01I
- *12-01B3E01J
- *13-01B3E01K
- *14-01B3E01L
- *15-01B3E01M
- *16-01B3E01N
- *17-01B3E01O
- *18-01B3E01P
- *19-01B3E01Q
- *20-01B3E01R

NOTE: ASTERISK PRECEDING SIGNAL INDICATES DIRECT CABLE EXPANSION

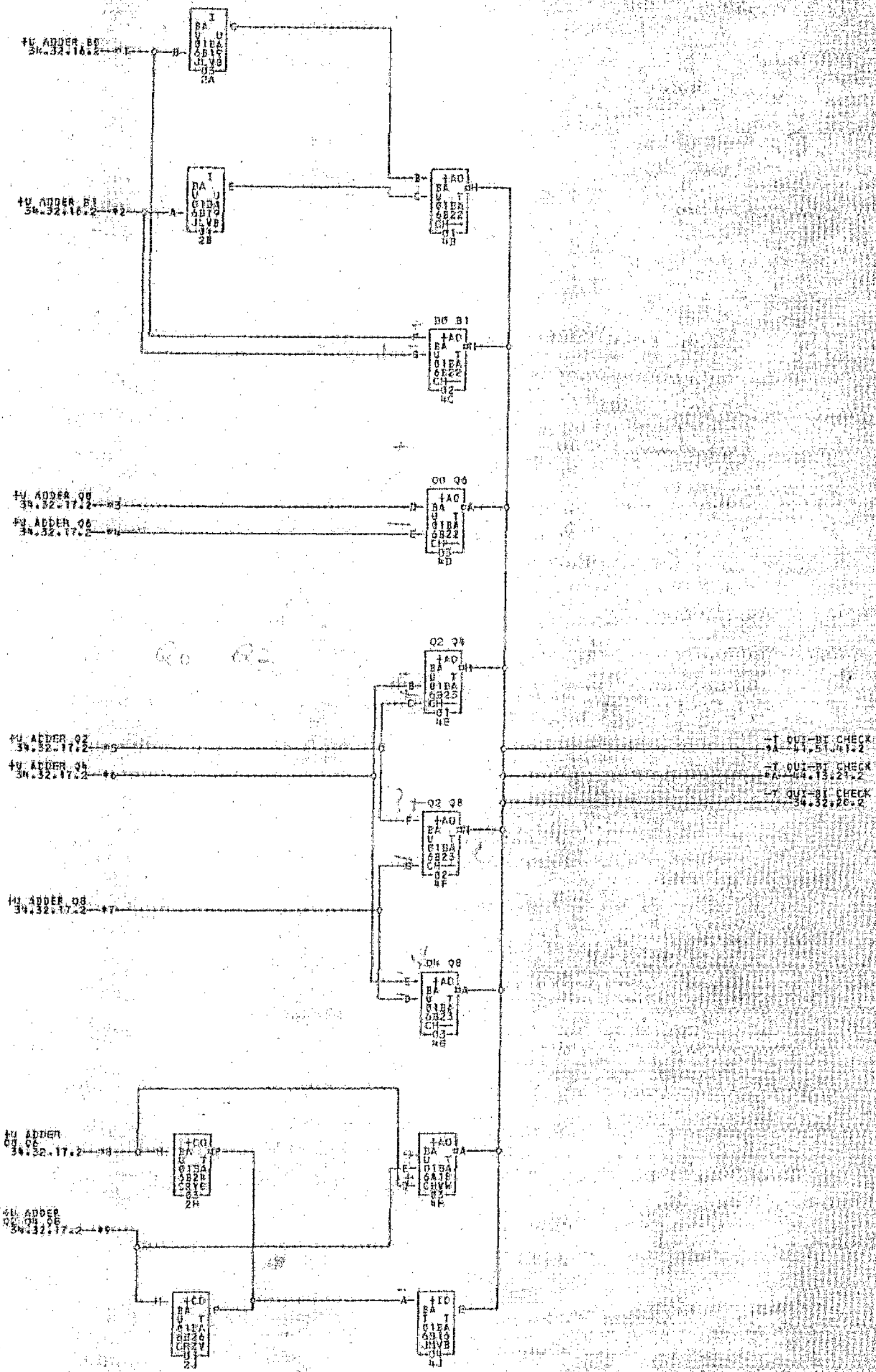
COMMENTS: TAG DATE: 1A-06-02-61 11052018 12-04-61 113422 12-29-62 114053



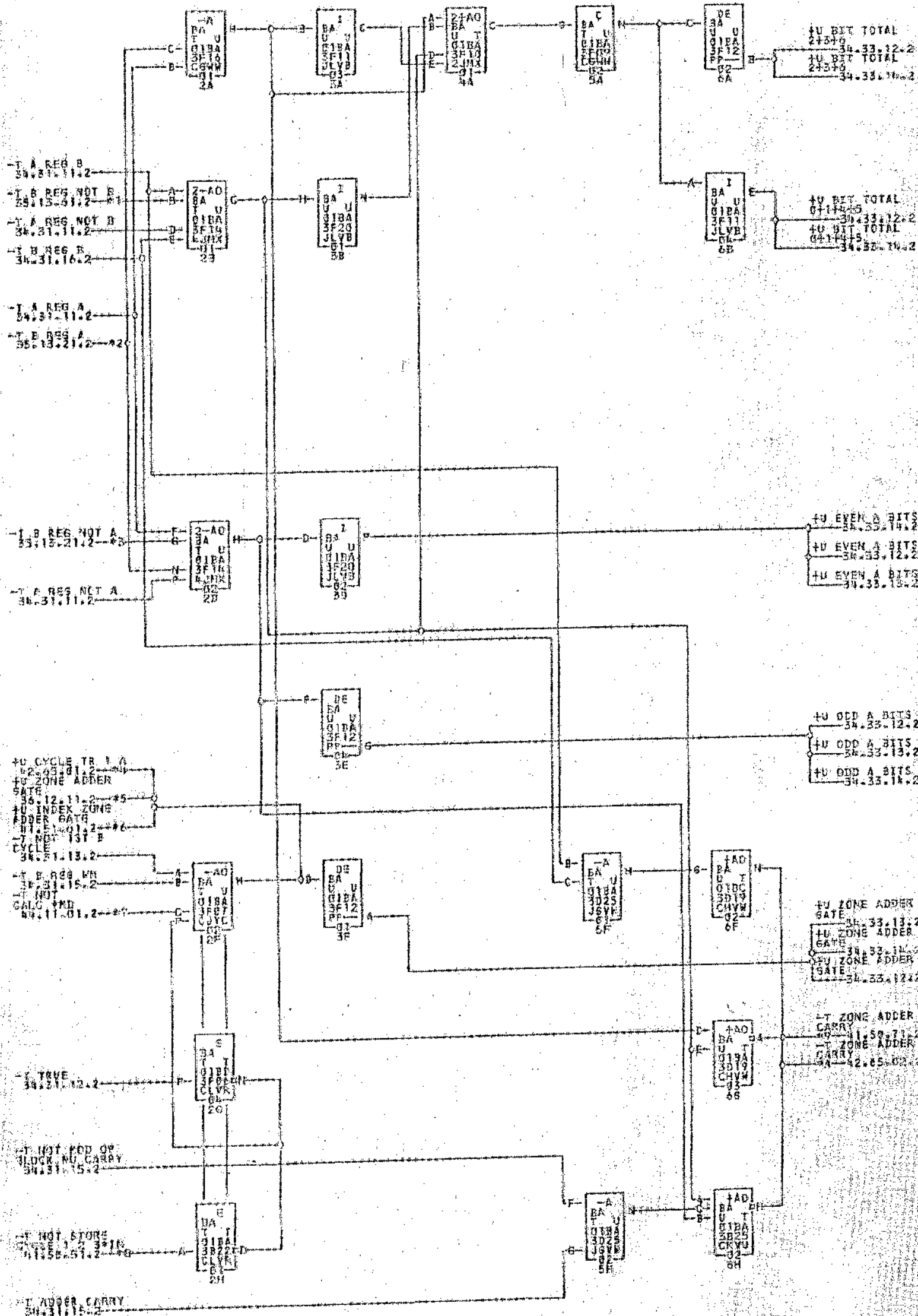
- *1-01B3E03A
- *2-01B3E011
- *3-01A3C25D
- *4-01B3E03E
- *5-01B3E03F
- *6-01B3E040
- *7-01A3C25E
- *8-01B3E041
- *9-01B3E042
- *10-01B3E043
- *11-01A3C25F
- *12-01B3E044
- *13-01B3E045
- *14-01A3C260
- *15-01B3E046
- *16-01A3C261
- *17-01B3E047
- *18-01A3C262
- *19-01B3E048
- *20-01A3C263
- *21-01B3E049
- *22-01A3C264
- *23-01B3E050
- *24-01A3C265
- *25-01B3E051
- *26-01A3C266
- *27-01B3E052
- *28-01A3C267
- *29-01B3E053
- *30-01A3C268
- *31-01B3E054
- *32-01A3C269
- *33-01B3E055
- *34-01A3C270
- *35-01B3E056
- *36-01A3C271
- *37-01B3E057
- *38-01A3C272
- *39-01B3E058
- *40-01A3C273
- *41-01B3E059
- *42-01A3C274
- *43-01B3E060
- *44-01A3C275
- *45-01B3E061
- *46-01A3C276
- *47-01B3E062
- *48-01A3C277
- *49-01B3E063
- *50-01A3C278
- *51-01B3E064
- *52-01A3C279
- *53-01B3E065
- *54-01A3C280
- *55-01B3E066
- *56-01A3C281
- *57-01B3E067
- *58-01A3C282
- *59-01B3E068
- *60-01A3C283
- *61-01B3E069
- *62-01A3C284
- *63-01B3E070
- *64-01A3C285
- *65-01B3E071
- *66-01A3C286
- *67-01B3E072
- *68-01A3C287
- *69-01B3E073
- *70-01A3C288
- *71-01B3E074
- *72-01A3C289
- *73-01B3E075
- *74-01A3C290
- *75-01B3E076
- *76-01A3C291
- *77-01B3E077
- *78-01A3C292
- *79-01B3E078
- *80-01A3C293
- *81-01B3E079
- *82-01A3C294
- *83-01B3E080
- *84-01A3C295
- *85-01B3E081
- *86-01A3C296
- *87-01B3E082
- *88-01A3C297
- *89-01B3E083
- *90-01A3C298
- *91-01B3E084
- *92-01A3C299
- *93-01B3E085
- *94-01A3C300
- *95-01B3E086
- *96-01A3C301
- *97-01B3E087
- *98-01A3C302
- *99-01B3E088
- *100-01A3C303

COMMENTS:

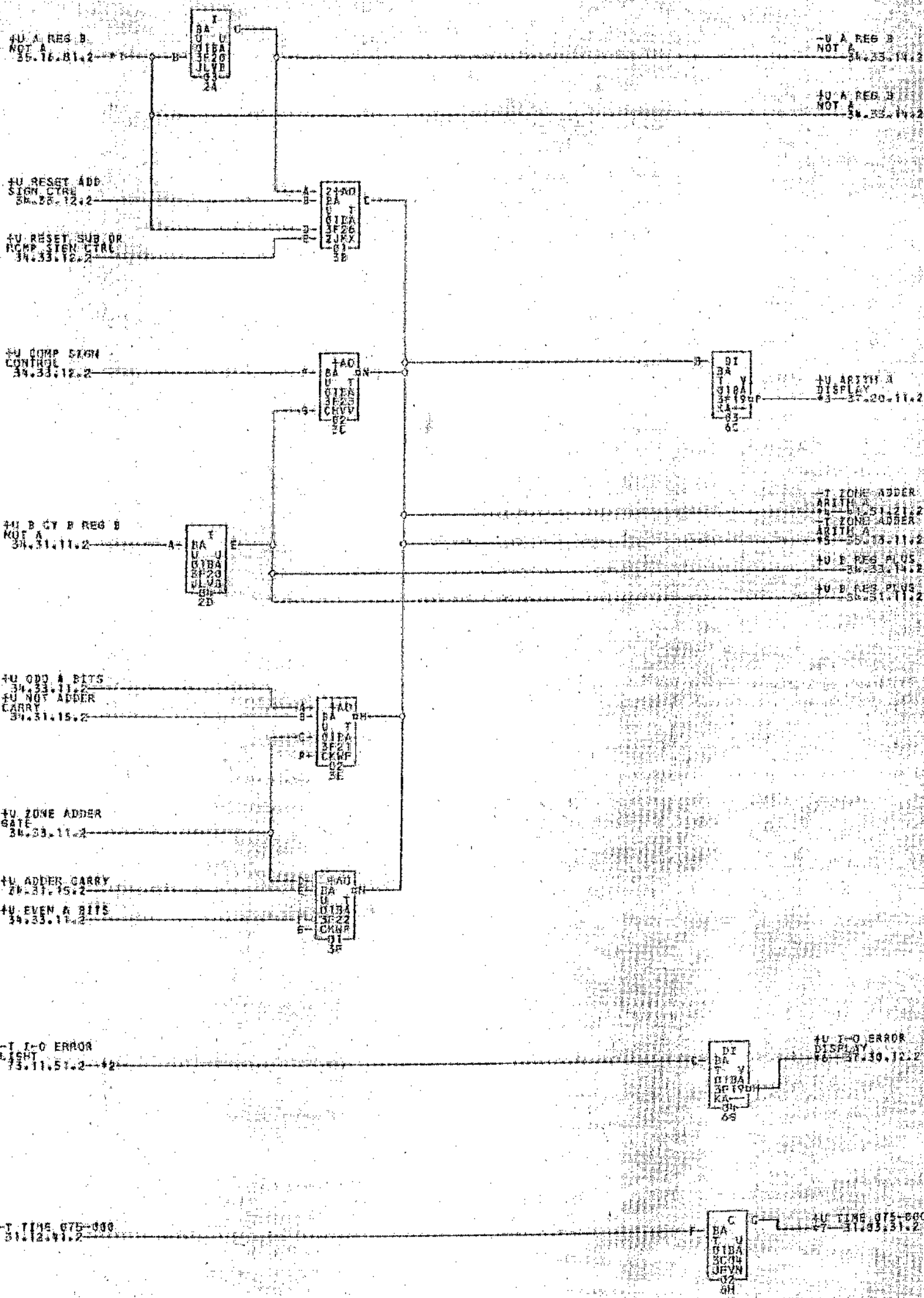
TAG	DATE	E.C. NO.	TAG	DATE	E.C. NO.	TAG	DATE	E.C. NO.	TAG	DATE	E.C. NO.
A	02-61	118326K	X	12-26-61	11865						



*1--01B6F01A *2--01B6F01B *3--01B6F01C *4--01B6F01E *5--01B6F01D *6--01B6F01E
 *7--01B6F01B *8--01B6F01B *9--01B6F01J *A--01B6F03J *02A9D11D *B2B7E02A
 02B6A08F



- *1—01B3003A
- *2—01B3003B
- *3—01B3003C
- *4—01B3003D
- *5—01B3003E
- *6—01B3003F
- *7—01B3003G
- *8—01B3003H
- *9—01B3003I
- *10—01B3003J
- *11—01B3003K
- *12—01B3003L
- *13—01B3003M
- *14—01B3003N
- *15—01B3003O
- *16—01B3003P
- *17—01B3003Q
- *18—01B3003R
- *19—01B3003S
- *20—01B3003T
- *21—01B3003U
- *22—01B3003V
- *23—01B3003W
- *24—01B3003X
- *25—01B3003Y
- *26—01B3003Z



- *1--0193B01H
- *2--0193B02E
- *3--0193B03H
- *4--0193B04F
- *5--0193B05E
- *6--0193B06H
- *7--0193B07F
- *8--0193B08E
- *9--0193B09H
- *10--0193B0AH
- *11--0193B0BH
- *12--0193B0CH
- *13--0193B0DH
- *14--0193B0EH
- *15--0193B0FH
- *16--0193B10H
- *17--0193B11H
- *18--0193B12H
- *19--0193B13H
- *20--0193B14H

MILITARY - PART L
3333333

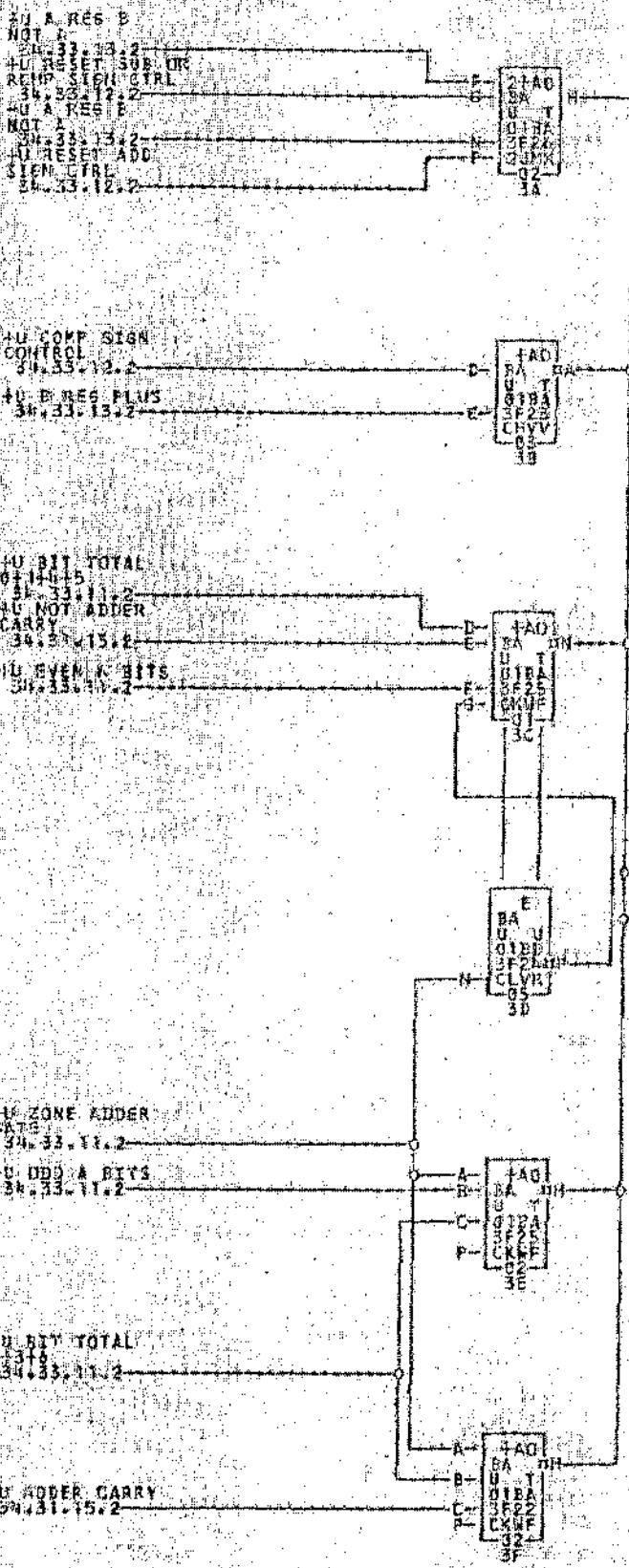
COMMENTS	TAG	DATE	E.C. NO.	TAG	DATE	E.C. NO.	TAG	DATE	E.C. NO.
	A	07-02-61	118220	B	07-07-61	118221	C	12-24-62	118222

6724126

7 BIT ZONE ADDER

1401 BA

34.33.11.2



7 ZONE ADDER
 ARITH CZ
 *1-34.33.11.2
 *1 ZONE ADDER
 ARITH CZ
 *2-35.15.11.2

*1-01B3B03H

01A0F03C

02B6C02H

*2-01B3D016

01A30258

COMMENTS

TAG	DATE	E.C.NO.	TAG	DATE	E.C.NO.	TAG	DATE	E.C.NO.	TAG	DATE	E.C.NO.
A	06-02-61	110520N	B	12-29-62	111053						

T CLEAR B
FIELD CALC
44.11.01.2

T CLEAR B
FIELD CALC
55.30.41.2

TU NOT RUN
37.30.11.2

TU NOT RUN
46.30.11.1

T ADDRESS MOD
OFF
37.02.02.2

T ADDRESS MOD
OFF
37.05.01.1

TU INHIBIT CHK
DISPLAY
55.17.11.2

TU INHIBIT CHK
DISPLAY
41.37.25.21.2

TU MULTIPLY OPB
37.10.01.2

TU MULTIPLY OPB
37.10.11.2

TU DIVIDE OFF
44.11.01.2

TU DIVIDE OFF
44.11.01.2

*1-0183B04F
*2-0183B010
*3-0183B020
*4-0183B030
*5-0183B040
*6-0183B050
*7-0183B060
*8-0183B070
*9-0183B080
*A-0183B090
*B-0183B0A0
*C-0183B0B0
*D-0183B0C0
*E-0183B0D0
*F-0183B0E0

*1-0183F02F
*2-0183F010
*3-0183F020
*4-0183F030
*5-0183F040
*6-0183F050
*7-0183F060
*8-0183F070
*9-0183F080
*A-0183F090
*B-0183F0A0
*C-0183F0B0
*D-0183F0C0
*E-0183F0D0
*F-0183F0E0

*1-0183D02E
*2-0183D010
*3-0183D020
*4-0183D030
*5-0183D040
*6-0183D050
*7-0183D060
*8-0183D070
*9-0183D080
*A-0183D090
*B-0183D0A0
*C-0183D0B0
*D-0183D0C0
*E-0183D0D0
*F-0183D0E0

*1-0183E03F
*2-0183E010
*3-0183E020
*4-0183E030
*5-0183E040
*6-0183E050
*7-0183E060
*8-0183E070
*9-0183E080
*A-0183E090
*B-0183E0A0
*C-0183E0B0
*D-0183E0C0
*E-0183E0D0
*F-0183E0E0

*1-0183C02F
*2-0183C010
*3-0183C020
*4-0183C030
*5-0183C040
*6-0183C050
*7-0183C060
*8-0183C070
*9-0183C080
*A-0183C090
*B-0183C0A0
*C-0183C0B0
*D-0183C0C0
*E-0183C0D0
*F-0183C0E0

*1-0183A02F
*2-0183A010
*3-0183A020
*4-0183A030
*5-0183A040
*6-0183A050
*7-0183A060
*8-0183A070
*9-0183A080
*A-0183A090
*B-0183A0A0
*C-0183A0B0
*D-0183A0C0
*E-0183A0D0
*F-0183A0E0